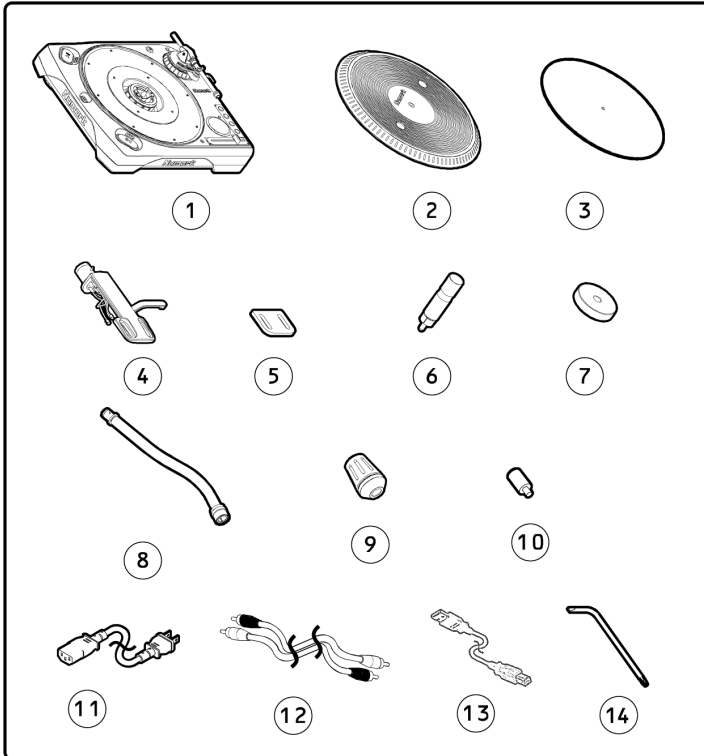


Numark® TTX^{USB}

PREMIUM USB TURNTABLE WITH ADJUSTABLE TORQUE

Quick Start Owner's Manual

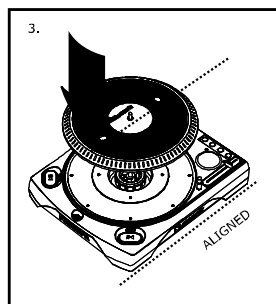
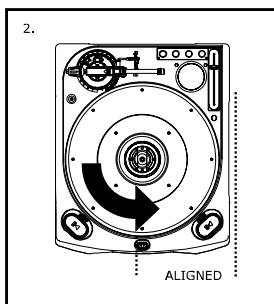
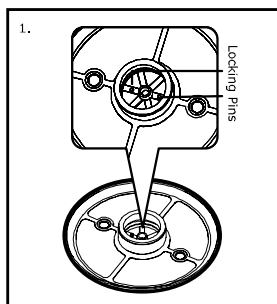


BOX CONTENTS

- | | |
|---------------------------------|--|
| 1. TTXUSB with Straight Tonearm | 9. Counter Weight |
| 2. Anti-Drag Aluminum Platter | 10. Additional Counter Weight for S-Shaped Tonearm |
| 3. Slipmat | 11. IEC Power Cable |
| 4. Headshell | 12. RCA Cord |
| 5. 2.5g Weight for Headshell | 13. USB Cord |
| 6. Target Light | 14. Service Tool |
| 7. 45 RPM Adapter | |
| 8. S-Shaped Tonearm | |

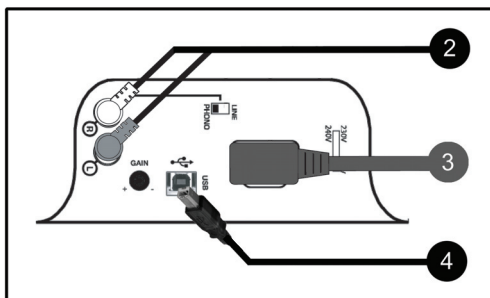
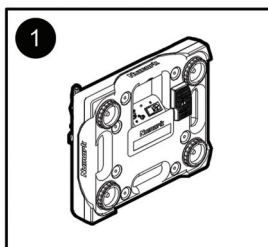
Quick Assembly Instructions

PLEASE READ THE SAFETY INSTRUCTION BOOKLET BEFORE USING THIS PRODUCT



1. Notice the locking pins shown. BE SURE THAT THE TURNTABLE IS NOT PLUGGED IN.
2. Match the inner motor to Figure 2.
3. Carefully place platter with holes aligned to base as shown

Connections



1. Tilt turntable upright as shown.
2. Connect R-RCA (red) audio cable from mixer or amplifier.
Connect L-RCA (white) audio cable from mixer or amplifier.
3. Connect only the supplied power cord and ensure that power setting switch is in the correct position for your region.
4. If you would like to record audio directly to your computer, connect the included USB cord from the TTXUSB to your computer's USB port.

Note: Be sure not to pinch wiring under base.

Bottom Panel Features

1. Adjustable Rubber Dampening Feet:

When all of the feet of the turntable are completely tightened, the top flat surface of the turntable will be at 85mm. Unscrewing these feet raises the turntable up to compensate for unlevelled surfaces.

2. Carrying Handles:

These handles provide a secure grip so that the turntable may be comfortably transported.

3. Voltage Selector:

This switches the internal voltage transformer between 115V, 230V and 240V. The turntable should be shipped with the proper voltage setting for your region. Check that the switch is in the proper voltage before connecting the power cord to prevent damage to the turntable.

4. IEC Power Terminal:

This IEC Power Terminal can be used with any IEC power cable, but it is recommended that the supplied IEC power cable be used. Be sure that any IEC power cable attached has proper clearance underneath the unit not to pinch cable or break power jack.

5. RCA Output:

These stereo output jacks allow the turntable to be connected to a compatible device with a PHONO or LINE level input.

6. Phono/Line Selector:

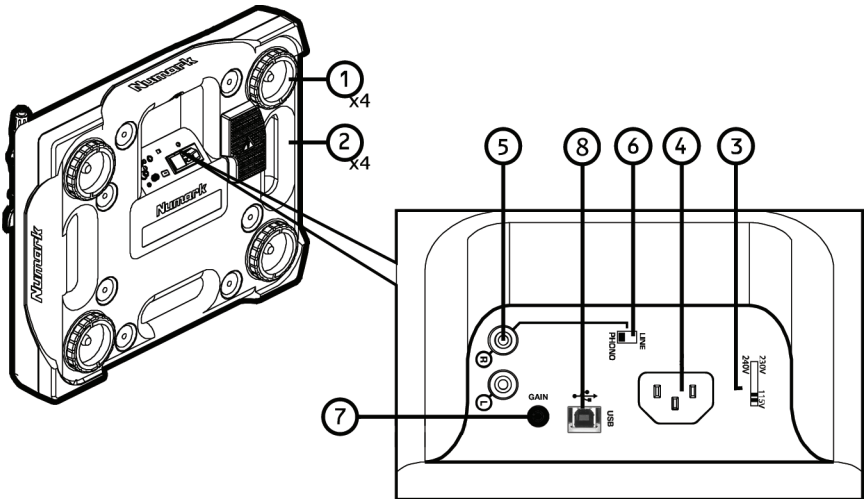
This switch should be set to the proper level depending on the type of input the turntable is connected to. PHONO is used with traditional turntable inputs on older receivers or where PHONO is stated. LINE level allows the TTXUSB to directly connect to modern electronic inputs such as computers, home stereos, and mixers.

7. Gain:

This knob sets the level of the audio signal going through the USB port to your computer. Please adjust the gain to a suitable level so the meters in your software application never hit the clip meter (red).

8. USB Audio Output:

Use the included USB Cable to connect your turntable to your computer. Refer to the software instruction guide for more information.



Tonearm Assembly

1. Counterweight/Ring and S-Weight:

The Counterweight is used to balance the head shell and cartridge assembly so that the proper amount of stylus pressure is applied to the record. The S-Weight should be used in most cases when the S-Shaped tube is used. It is not needed for the straight arm and can be stored below the counterweight in the top cabinet while not in use.

2. Height Adjust Ring:

Turning this ring counter-clockwise raises the tonearm up to 6mm to accommodate for different slipmat thicknesses. This ring can not be adjusted unless the Height Lock Lever (3) is unlocked.

3. Height Lock Lever:

Turning this lever towards the direction of the arrow (clockwise) unlocks the Height Adjust Ring (2) so that the tonearm height can be adjusted.

4. Anti-Skate Adjustment:

This knob is used to compensate for inward tracking forces. See Tonearm Setup for more details on its settings.

5. Secondary Tube Lock Collar:

This collar is used to secure the tonearm tubes (straight or s-shaped) to the tonearm assembly.

6. Arm Clip:

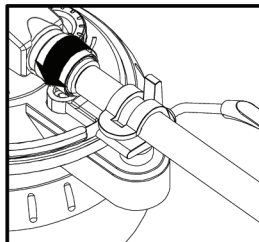
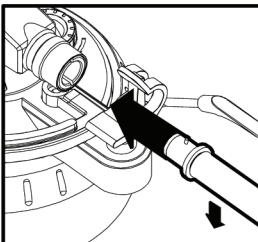
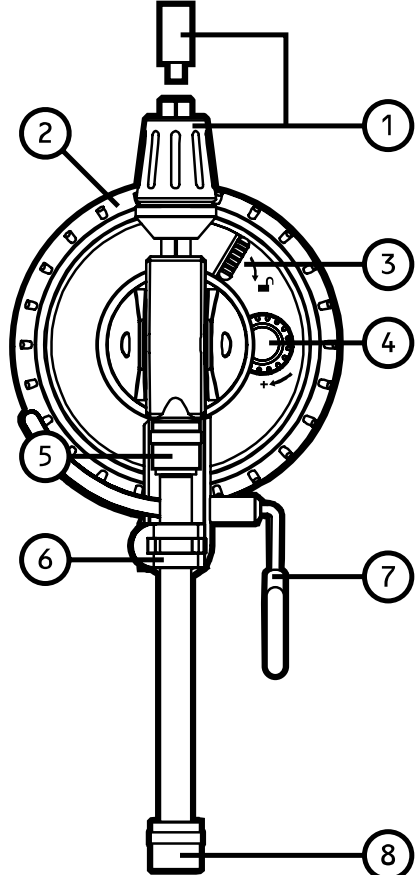
This specially designed arm clip secures the tone arm while it is being transported or not in use.

7. Tonearm Cueing System:

This feature allows the tone arm to be positioned at a certain point above the record and slowly engaged. When the lift lever is in the up position the tone arm should rest on the armrest. When the lift lever is lowered, the tone arm is slowly lowered until the stylus is resting on the record.

8. Tone Arm Lock Nut:

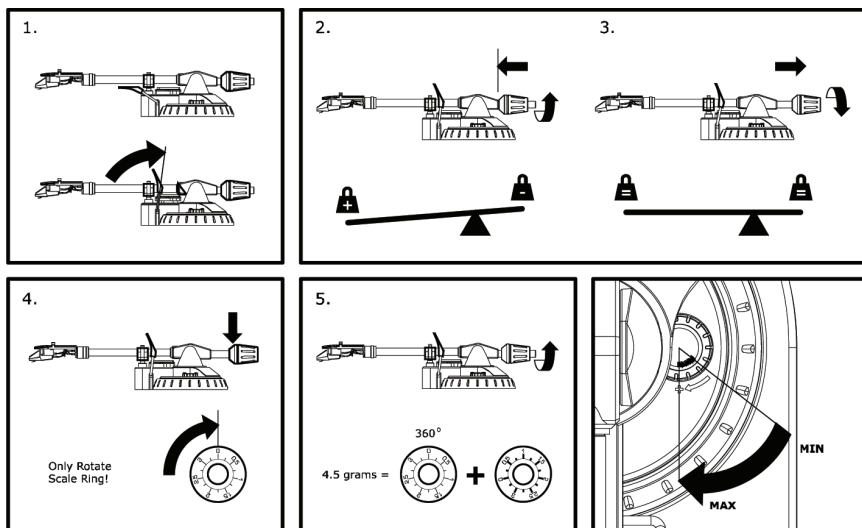
This aluminum nut is used to secure the head shell and cartridge assembly to the tone arm tube. See cartridge setup for more details.



WARNING: DO NOT OVERTIGHTEN LOCK COLLAR (5) OR THE LOCK NUT (8)!

CONNECTING ANYTHING OTHER THAN NUMARK ARMS TO THIS COLLAR MAY DAMAGE THE INTERNAL PIN HEIGHTS OF THE CONTACTS!

Tonearm Setup



1. Install cartridge and raise the arm lift for cartridge/stylus protection.
2. Notice how the counterweight can be moved.
3. With the cueing system lift lever down, adjust the weight so entire tonearm assembly is freely balanced.
4. Zero the scale on the weight by moving the black ring until "0" is aligned with the slot. The tonearm assembly should still be balanced as shown in Figure 2.
5. Turn the counterweight until the desired weight in grams is met. (Most DJ cartridge specifications range from 2.0g to 4.0g. Check cartridge manual for details)

Setting the Anti-Skate Adjustment

The Anti-Skate control is the knob shown on the last figure.

In most cases, the Anti-Skate should be set to its minimum setting. Anti-Skate compensates for inward tracking forces that occur with certain cartridges when the stylus nears the center of the record. If the turntable is experiencing excessive skipping during back-cueing and scratching while nearing the center spindle, try increasing the Anti-Skate in the increments indicated on the dial. Start by adding small increments; test its performance, then increase it as necessary.

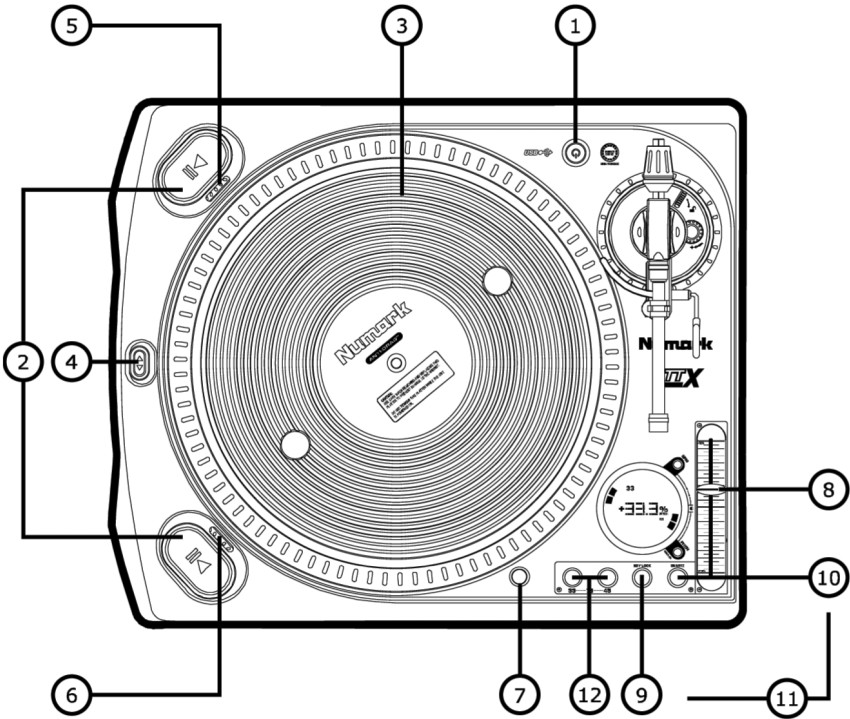
The Anti-Skate control is primarily used for high quality recordings in conjunction with the tonearm cueing system.

OPERATION NOTES

This turntable was designed to accommodate a variety of different mixing styles. Here are some general operation guidelines to optimize the performance of the turntable.

- Use the included **Slip Mat** during record playback. This Slip Mat was designed to reduce friction between the platter and the record to allow for rapid back cueing and efficient scratch play.
- Do not place the turntable on or near a speaker or subwoofer. This may cause unwanted noise depending on the environment conditions.
- Always secure the tone arm using the Arm Clip when not in use. This can prevent stylus damage and accidental tone arm engagement.
- To reduce needle skipping, follow the guidelines in the Tone Arm Setup section of this manual. Too much weight on a cartridge may cause erratic skipping or stylus damage.

General Controls



1. **Power Button:** Turns on the turntable when pressed. It illuminates blue when the turntable is switched on.
2. **Start/Stop Buttons:** Start and stop the turntable motor. Both buttons have the same function.
3. **Platter:** This turntable has a special edge design that has been optimized for "dragged" platter slow downs. The pattern will appear to stand still when the Pitch Range is set to 0% and the Target Light is being used.
4. **Forward/Reverse Toggle:** Switches the motor direction between forward and reverse.
5. **Start Time Adjuster:** Rotate to increase or decrease the startup time of the platter.
6. **Braking Time Adjuster:** Rotate to increase or decrease the stopping time of the platter.
7. **Strobe Target Light and Power Jack:** This aluminum light can be rotated depending on the head shell position and the amount of light required on the vinyl record surface. The light strobes against the platter edge making the pattern appear to stand still when the Pitch Range is at 0%.
8. **Pitch Fader:** This slide control allows the pitch of the playback to be changed. In the center position the pitch is at 0%
9. **Key Lock:** This button locks the key of the music at the relative position of the Pitch Fader. This processing effect is only available when the LINE output is used.
10. **Quartz Button:** This button locks the pitch at 0% (regardless of pitch fader position) using Quartz Motor Control when engaged.
11. **Torque Adjustment:** Lightly press buttons 9 and 10 simultaneously to adjust the torque settings of the platter. There are three settings for torque. "L" is low, "M" is medium, and "H" is high.
12. **33 and 45 RPM Buttons:** These buttons control the RPM of the turntable platter. When both of the 33 and 45 RPM buttons are pressed simultaneously, the 78 RPM mode will engage.

Display Controls

The Display of the TTXUSB was developed to instantly provide usable feedback regardless of the turntable orientation. Understanding its functions may improve your skill level.

1. **Platter Direction Sensors:** Whether the turntable platter is turning or stopped, these segments indicate the direction of rotation. They move in pairs on opposite sides of the display.

NOTE: If the platter is removed while the turntable is powered on, the entire ring of segments will flash indicating that the drive magnets have been pulled apart and the motor has entered PROTECTION MODE. It is recommended that the turntable be powered off after it enters PROTECTION MODE before replacing the platter.

2. **Multi-Function Segment Indicators:** Depending on the display mode, these Indicators may provide pitch, BPM or motor settings. See the independent functions of the PITCH, BPM and MOTOR CONTROLS for additional information.
3. **BPM Button:** Pressing this button will toggle the center section of the display between the current pitch setting and an estimated beats per minute (BPM) reading. If this button is pressed and held for 2 seconds, the BPM counter will recalculate the BPM estimation. If the display is indicating a steady "---" this means that the TTXUSB is calculating the BPM range OR it is unable to distinguish an estimate. If the BPM estimation is a flashing "---" then this indicates that there is no audio being processed.

4. **Pitch versus BPM indicators:** The word PITCH and the PERCENTAGE symbol are both active while the display indicates the pitch setting. The BPM indicator is only active when the display is set to provide BPM estimations.

5. **Pitch Range Button:** This button toggles the pitch range between 10, 20 and 50% when pressed in succession. If this button is pressed and held for 2 seconds, the pitch range will be set to 8% until the button is pressed again. If this button is pressed and held together with the BPM Button (3), then the contrast of the Display will be reduced until the buttons are released.

6. **Pitch Range Indicators:** Depending on the pitch range (8, 10, 20, 50%) these indicators will be active. When the pitch range is set to 8%, none of these indicators are active.

7. **RPM settings:** The 33, 45 or 78 segments will be active for the respective motor RPM mode.

8. **Key Lock Indicator:** This symbol indicates that the onboard digital signal processors are correcting the KEY of the playback source.

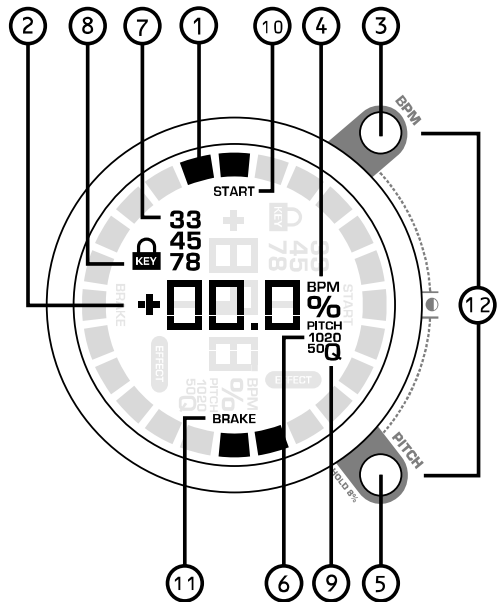
NOTE: The KEY LOCK function can only be used while the output is set to LINE level.

9. **Quartz Lock Indication:** If the QUARTZ LOCK function (General Controls) is engaged, this segment becomes active and the display will flash "- Q -" if the PITCH FADER is adjusted until the QUARTZ LOCK function is deactivated.

10. **Start Time Indicator:** If this indicator is active while the motor is starting, it means that the startup time has been adjusted using the Start Time Adjuster (General Controls)

11. **Brake Time Indicator:** If this indicator is active while the motor is stopping, it means that the stop time has been adjusted using the Braking Time Adjuster (General Controls)

12. **Contrast:** Press both (3) and (5) simultaneously to cycle through contrast levels on the display.

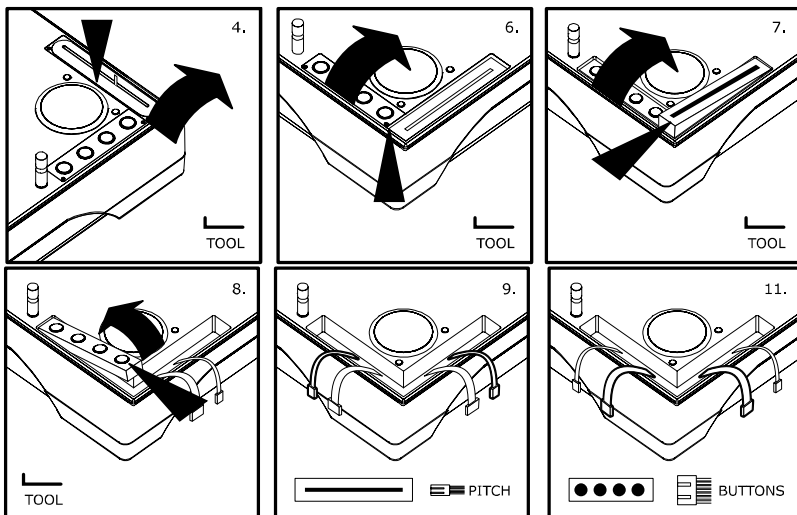


Interchanging the Pitch Fader and Button Cartridges

The TTXUSB unique design allows the configuration of the PITCH FADER and BUTTON CONTROLS to be interchanged depending on the orientation of the turntable. In the event of damage or excessive wear, these components should only be replaced with NUMARK COMPATIBLE PARTS. Check the nearest NUMARK DEALER for additional information.

1. Turn the turntable off or unplug it from its power source.
2. Remove the PITCH FADER KNOB and store it in a safe place.
3. Use the included SERVICE TOOL to remove the two screws that secure the PITCH FADER CARTRIDGE PLATE. Once removed, place these screws in a safe place.
4. Use the flat side of the SERVICE TOOL to pry off the PITCH FADER CARTRIDGE PLATE by inserting it into the cutaway at the center of the plate and prying upwards
5. Use the included SERVICE TOOL to remove the two screws that secure the BUTTON CARTRIDGE PLATE. Once removed, place these screws in a safe place.
6. Using the flat side of the SERVICE TOOL again, pry off the BUTTON CARTRIDGE PLATE by inserting it underneath the plate and prying upwards (see picture.)
7. The cartridges may now be safely removed. Begin this process by using the flat side of the SERVICE TOOL to pry the PITCH FADER CARTRIDGE out of the turntable (see picture.) Once removed, detach the wiring clip from the bottom of the cartridge.

8. Remove the Button Cartridge now by using the SERVICE TOOL to pry out the cartridge from the turntable. Once removed, detach the wiring clip from the bottom of the cartridge (see picture.)
9. The cartridges may now be safely interchanged. Find the WIRING CLIP for the PITCH FADER CARTRIDGE and connect it to the bottom of the cartridge (see picture.)
10. Reinsert the PITCH FADER CARTRIDGE into the desired bay of the turntable. Take utmost care NOT to pinch the unused harness underneath the cartridge. If inserted correctly, the cartridge should rest firmly in the bay.
11. Find the WIRING CLIP for the BUTTON CARTRIDGE and connect it to the bottom of the cartridge (see picture.)
12. Reinsert the BUTTON CARTRIDGE into the desired bay of the turntable. Take utmost care NOT to pinch the unused harness underneath the cartridge. If inserted correctly, the cartridge should rest firmly in the bay.
13. Re-secure the BUTTON CARTRIDGE PLATE and the FADER CARTRIDGE PLATE by inserting the tabbed sides into the turntable first.
14. Use the included SERVICE TOOL to tighten the four screws that secure the plates to the turntable body. Do not over tighten these screws.
15. Reinstall the PITCH FADER knob and power the turntable on.



OTHER IMPORTANT NOTES

Please read these precautionary notes to insure a complete understanding and long life of this DJ turntable.

- Unnecessarily removing the platter may cause damage to the magnet mounting structure, the motor or the platter resulting in undesired performance. The turntable should ALWAYS be powered off before the turntable platter is removed for any reason.
- Unnecessarily "interchanging" tonearm tubes may cause premature wear to components of the tonearm assembly or the tonearm tubes. Interchange tubes only on an "as needed" basis.
- Turning off the turntable while the output is set to LINE level or while the SPDIF output is in use will result in an absence of audio. Keep this in mind during use - if the "motor off" effect is desired effect, it is recommended that the BRAKE MOTOR CONTROL be adjusted.
- Do not attempt to adjust or tighten any tonearm components. Undesirable performance may be a result of an improperly adjusted tonearm or worn cartridge.
- Never interchange tonearm tubes while the turntable is powered on.
- Any attempt to "customize" your turntable beyond interchanging the tonearm tubes is not recommended and may result in PERMANENT DAMAGE to the turntable and/or a VOIDED WARRANTY.

TTXUSB Specifications

Turntable Section:

Motor:	Direct Drive – 16 Pole, 3 phase
Start Time:	0-33.33 RPM in 0.2 seconds
Braking System:	9 Step Electronic Servo Brake
Platter:	Dampened Aluminum Die-cast Low Friction Design.
Speeds:	33.33, 45, and 78 RPM
Wow & Flutter:	<0.15% WRMS (JIS C5521) Digitally controlled by internal quartz clock.
Pitch Range:	±8%, ±10%, ±20%, and ±50%
Rumble:	-58dB (IEC 98A Unweighted) -79dB (IEC 98A Weighted)
Torque:	H : 4.7 kgfcm constant torque : 3.7kgfcm instant torque : 4.7 kgfcm M : 3.7 kgfcm constant torque : 2.7kgfcm instant torque : 3.7 kgfcm L : 2.5 kgfcm constant torque : 1.1kgfcm instant torque : 2.5 kgfcm

Tonearm Section:

Type:	Locking collar based interchangeable tube system. Die- cast Aluminum 3-Bearing Construction
Height Range:	0.0 – 6.0 mm.
Cue System:	Dampened Lift Lever, Arm Rest and Arm Clip
Balance Weight:	7.0 gram S-weight 75 gram Aluminum Plated Counterweight w/ 0.0 – 3.5 gram range scale

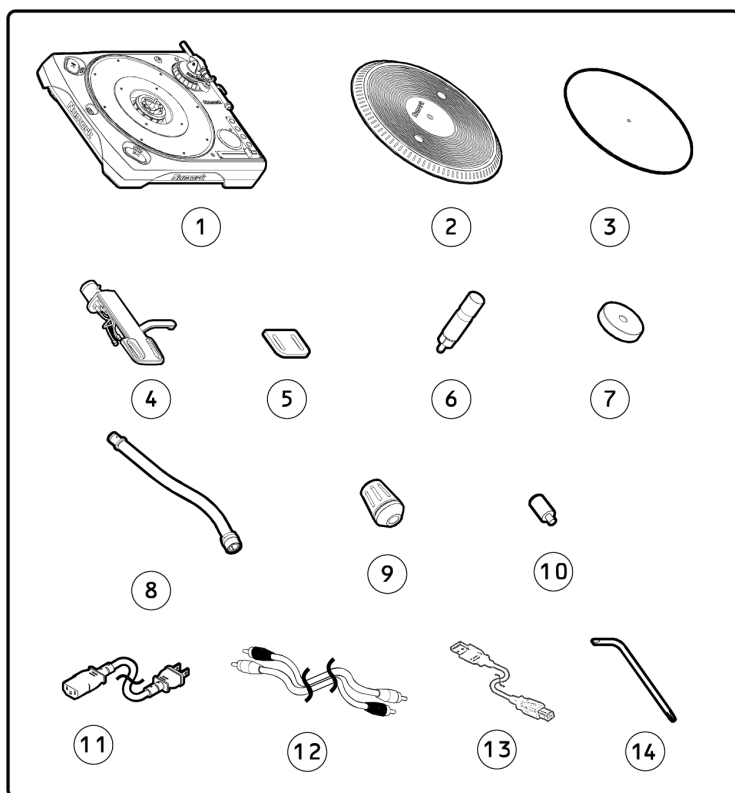
General:

Dimensions:	370mm(W) by 460mm(D) by 135mm(H)
Weight:	27.7 lbs (12.6 kg)
Power Consumption:	65 Watts
USB Audio Interface:	USB 1.1 compatible

Numark® TTX^{USB}

PREMIUM USB TURNTABLE WITH ADJUSTABLE TORQUE

Manual de inicio rápido del usuario

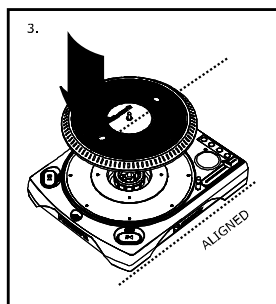
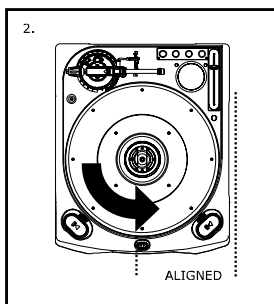
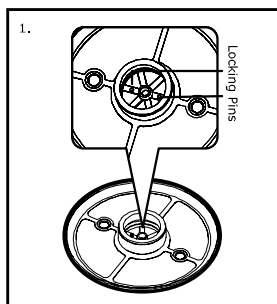


CONTENIDO DE LA CAJA

1. TTXUSB con brazo de lectura recto
2. Plato de aluminio anti-arrastre
3. Alfombrilla
4. Portacápsulas
5. Contrapeso de 2.5 g para portacápsulas
6. Luz de iluminación de cabezal
7. Adaptador de 45 rpm
8. Brazo de lectura en forma de "S"
9. Contrapeso
10. Contrapeso adicional para el brazo de lectura en forma de "S"
11. Cable de alimentación IEC
12. Cordón RCA
13. Cordón USB
14. Herramienta de servicio

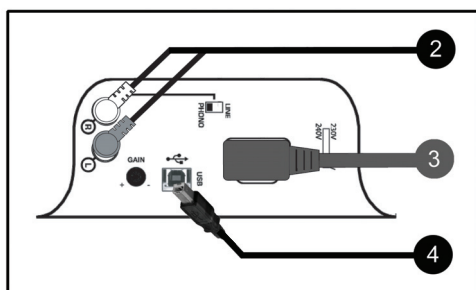
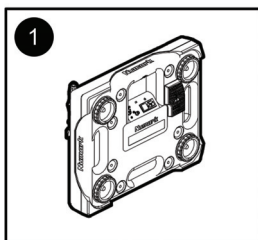
Instrucciones de ensamblaje rápido

POR FAVOR LEA LAS INSTRUCCIONES DEL FOLLETO DE SEGURIDAD ANTES DE UTILIZAR ESTE PRODUCTO



1. Observe los pasadores de bloqueo que se muestran. ASEGÚRESE QUE EL GIRADISCOS NO ESTÉ ENCHUFADO.
2. Haga concordar el motor interior con la Figura 2.
3. Alinee los agujeros del plato cuidadosamente con la base, como se muestra aquí.

Conexiones



1. Incline el giradiscos verticalmente como se muestra aquí.
2. Conecte el cable de audio R-RCA (derecho rojo) del mezclador o amplificador.
3. Conecte el cable de audio L-RCA (izquierdo blanco) del mezclador o amplificador.
4. Sólo conecte el cable de alimentación incluido y asegúrese que el interruptor de ajuste de alimentación esté en la posición correcta para su región.
4. Use el cable USB incluido para conectar su giradiscos a su computadora.

Nota: Asegúrese de no apretar el cableado debajo de la base.

Características del panel inferior

1. Patas de amortiguación de goma:

Cuando todas las patas del giradiscos estén completamente apretadas, la superficie plana superior del giradiscos estará a los 85 mm. Cuando destornilla estas patas se eleva el giradiscos para compensar las superficies desniveladas.

2. Asas de transporte:

Estas asas dan un agarre seguro para que el giradiscos pueda transportarse de manera cómoda.

3. Selector de voltaje:

Este selector hace que el transformador de voltaje interno conmute entre 115 V, 230 V y 240 V. El giradiscos debe ser despachado con el ajuste de voltaje adecuado para su región. Revise que el interruptor esté ajustado al voltaje adecuado antes de conectar el cable de alimentación para prevenir daños al giradiscos.

4. Terminal de alimentación IEC:

Este terminal de alimentación IEC puede usarse con cualquier cable de alimentación IEC, pero le recomendamos que use el cable de alimentación IEC incluido. Asegúrese de que cualquier cable de alimentación IEC conectado tenga suficiente espacio debajo de la unidad para que no se apriete el cable o se quiebre el enchufe de alimentación.

5. Salida RCA:

Estos enchufes de salida estéreo permiten conectar el giradiscos a un dispositivo compatible con una entrada de nivel fonográfico o de línea.

6. Selector de nivel de línea/fonográfico:

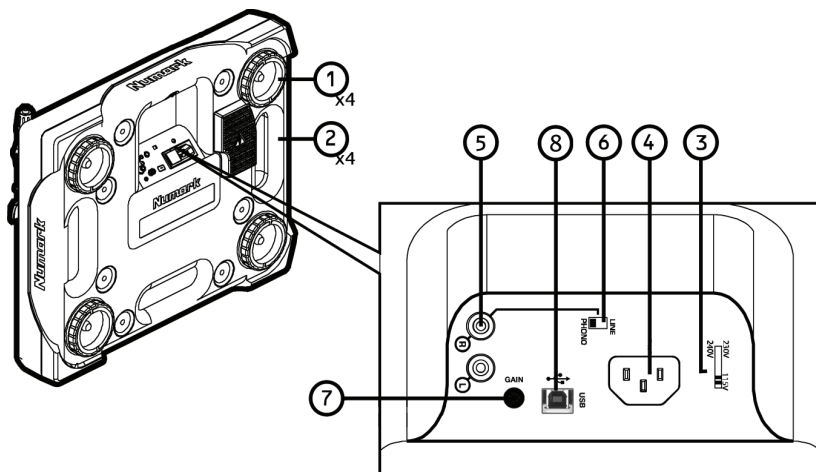
Este interruptor debe ajustarse al nivel correcto dependiendo del tipo de salida al cual esté conectado el giradiscos. Se usa la entrada fonográfica PHONO con las entradas de giradiscos tradicionales en receptores más antiguos o donde se requiera PHONO. El nivel de línea LINE permite que el TTXUSB se conecte directamente a las entradas de equipos electrónicos modernos como computadoras, estéreos y mezcladores.

7. Perilla de ganancia:

Ajusta el nivel de audio USB.

8. Salida da audio USB

Use el cable USB incluido para conectar su giradiscos a su computadora. Consulte la guía de instrucciones de software antes de enchufar el giradiscos.



Ensamblaje del brazo de lectura

1. Contrapeso/anillo y peso en forma de "S":

El contrapeso se usa para balancear el ensamblaje del portacápsulas y la cápsula para que se le aplique la cantidad adecuada de presión de la púa al disco. El peso en forma de "S" se debe usar en la mayoría de los casos cuando se usa el tubo en forma de "S". No se necesita para el brazo recto y puede almacenarse debajo del contrapeso en el gabinete superior mientras no sea usado.

2. Anillo de ajuste de altura:

Gire este anillo en el sentido opuesto a las agujas del reloj para elevar el brazo de lectura hasta 6 mm para acomodar diferentes espesores de alfombrillas. Este anillo no se puede ajustar a menos que la manija de bloqueo de altura (3) esté desbloqueada.

3. Manija de bloqueo de altura:

Gire esta manija en el sentido de la flecha (sentido de las agujas del reloj) para desbloquear el anillo de ajuste de altura (2) a fin de que se pueda ajustar la altura del brazo de lectura.

4. Ajuste Anti-Skate (anti-deslizamiento):

Este botón se usa para compensar las fuerzas de tracción hacia adentro. Lea Instalación del brazo de lectura para conocer más detalles acerca de este ajuste.

5. Anillo de bloqueo del tubo secundario:

Este anillo se usa para asegurar los tubos del brazo de lectura (recto o en forma de "S") al montaje del brazo de lectura.

6. Clip del brazo:

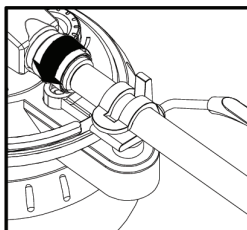
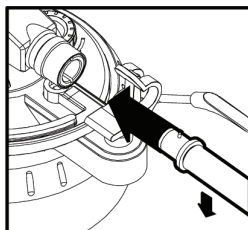
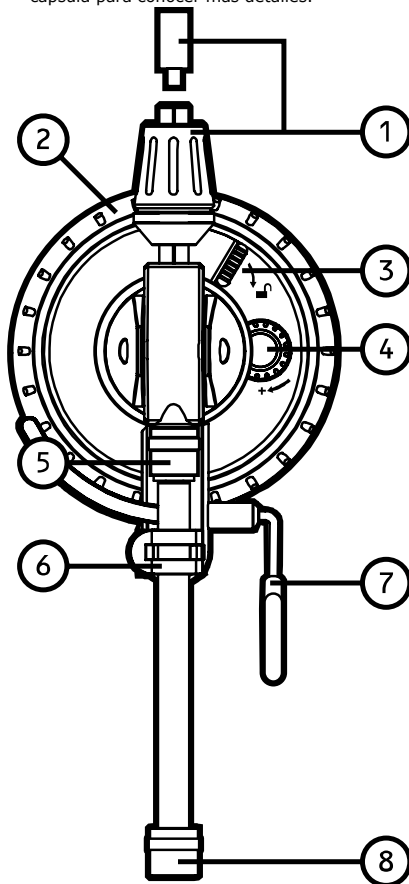
Este clip diseñado especialmente fija el brazo mientras se está transportando o mientras no se usa.

7. Sistema de señalización del brazo de lectura:

Esta característica permite que el brazo de lectura sea posicionado en un punto específico sobre el disco y que descienda lentamente. Cuando la palanca elevadora está arriba, el brazo de lectura debe sostenerse en el soporte del brazo. Cuando baja la palanca, se baja el brazo de lectura de manera lentamente hasta que la púa se apoye sobre el disco.

8. Tuerca de fijación del brazo:

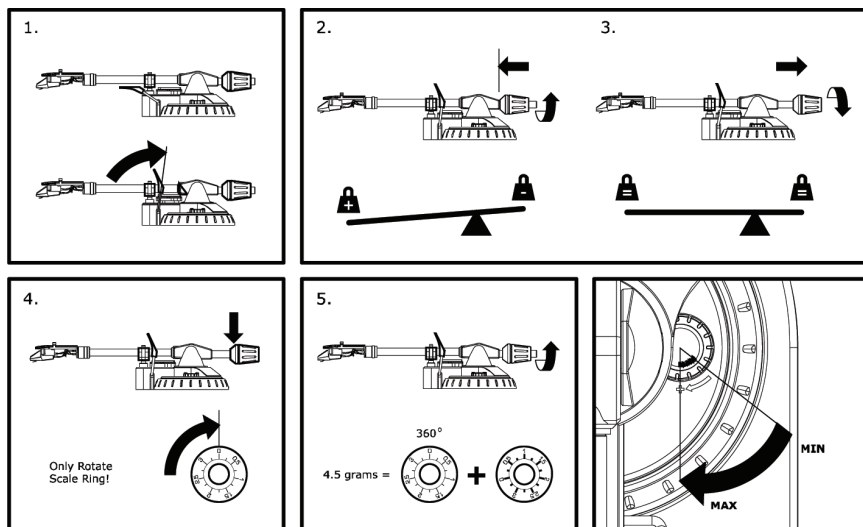
Esta tuerca de aluminio se usa para fijar el ensamblaje del portacápsulas y la cápsula al tubo del brazo. Consulte la Instalación de la cápsula para conocer más detalles.



ADVERTENCIA: ¡NO SOBREPRIETE EL ANILLO DE BLOQUEO (5) O TUERCA DE FIJACIÓN DEL BRAZO ! (8)

¡SI SE CONECTAN A ESTE ANILLO BRAZOS QUE NO SEAN DE NUMARK PODRÍAN DAÑARSE LAS ALTURAS DE LOS PASADORES INTERNOS DE LOS CONTACTOS!

Instalación del brazo de lectura



1. Instale la cápsula y levante el elevador del brazo para protección de la cápsula/púa.
2. Note cómo se puede mover el contrapeso.
3. Con la palanca elevadora del sistema de señalización, ajuste el peso para que todo el montaje del brazo de lectura esté equilibrado libremente.
4. Ponga la escala en posición de cero para el peso moviendo el anillo negro hasta alinear el "0" con la ranura. El montaje del brazo de lectura debe seguir equilibrado como se muestra en la Figura 2.
5. Gire el contrapeso hasta que se alcance el peso deseado en gramos. (La mayoría de las especificaciones de la cápsula de DJ varían de 2.0 a 4.0 g. Verifique los detalles en el manual de la cápsula).

Ajuste del Anti-Skate (anti-deslizamiento)

El control de anti-deslizamiento es el botón que se muestra en la última figura.

En la mayoría de los casos, el Anti-Skate debe ser ajustado a su ajuste mínimo. El anti-skate compensa las fuerzas de tracción hacia adentro que ocurren con ciertas cápsulas cuando la púa se acerca al centro del disco. Si el giradiscos experimenta excesivos saltos en los retrocesos rápidos y rayaduras cuando se acerca al eje central, intente aumentar el Anti-Skate en los incrementos indicados en el botón. Empiece agregando incrementos pequeños; pruebe su rendimiento y luego aumentelos como considere necesario.

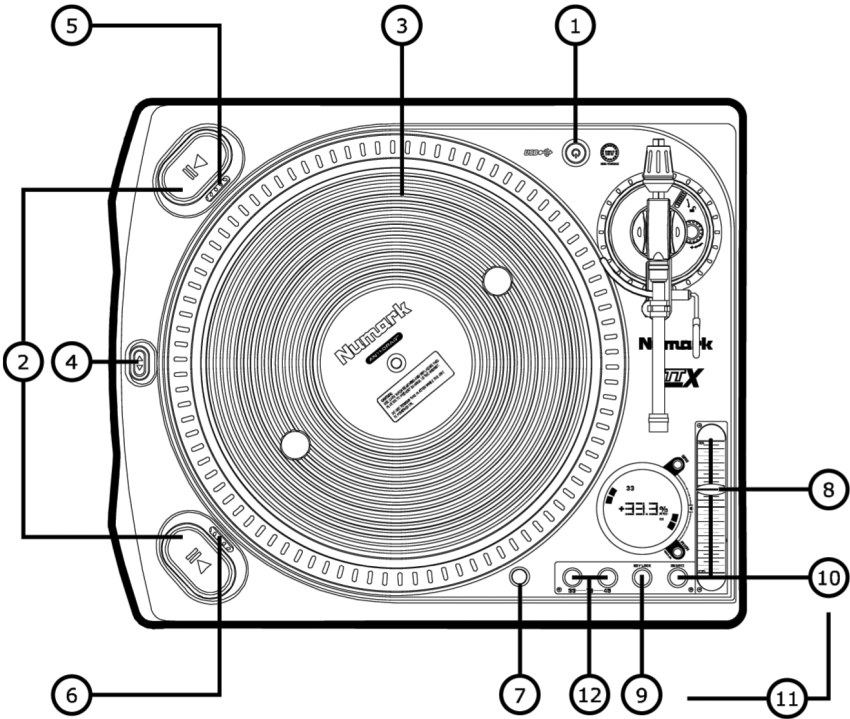
El control de anti-deslizamiento se usa mayormente para las grabaciones de alta calidad junto con el sistema de señalización del brazo de lectura.

NOTAS SOBRE EL FUNCIONAMIENTO

El giradiscos fue diseñado para admitir una variedad de diferentes estilos de mezcla. He aquí algunas pautas de funcionamiento generales para optimizar el rendimiento del giradiscos.

- Use la **alfombrilla** incluida durante la reproducción de la grabación. Esta alfombrilla fue diseñada para reducir la fricción entre el plato y el disco a fin de permitir una señalización hacia atrás rápida y una reproducción con *scratch* eficiente.
- No coloque el giradiscos sobre o cerca de un altavoz o altavoz de graves (subwoofer). Puede causarse un ruido no deseado dependiendo de las condiciones ambientales.
- Siempre asegure el brazo de lectura usando el clip del brazo mientras no se use. Esto puede prevenir daños a la púa y el funcionamiento accidental del brazo de lectura.
- Para reducir los saltos de la púa, siga las directrices que se incluyen en la sección de Instalación del brazo de lectura en este manual. Un peso excesivo sobre la cápsula puede causar que la púa salte irregularmente o que sea dañada.

Controles Generales

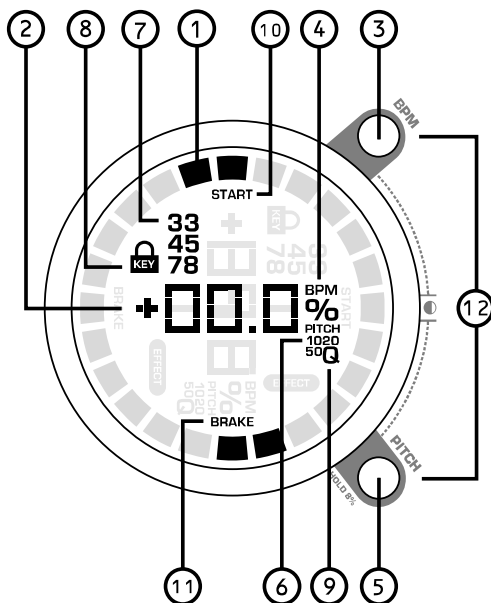


1. **Botón de encendido:** Enciende el giradiscos cuando se presiona. Se ilumina de color azul cuando está encendido el giradiscos.
2. **Botones Start/Stop:** Inician y paran el motor del giradiscos. Ambos botones tienen la misma función.
3. **Plato:** Este giradiscos cuenta con un diseño de vanguardia especial que ha sido optimizado para desacelerar con "arrastre". El patrón se verá inmóvil cuando el rango del *pitch* esté ajustado al 0% y cuando se use la luz de iluminación.
4. **Conmutador de adelante/atrás:** Cambia el sentido del motor hacia adelante y atrás.
5. **Ajustador del tiempo de inicio (Start):** Gírelo para aumentar o disminuir el tiempo de inicio del plato.
6. **Ajustador del tiempo de frenado:** Gírelo para aumentar o disminuir el tiempo de parada del plato.
7. **Luz estroboscópica y enchufe de alimentación:** Esta luz de aluminio puede girarse dependiendo de la posición del portacápsulas y la cantidad de luz que se requiere sobre la superficie del disco de vinilo. La luz parpadea de manera estroboscópica contra el borde del plato haciendo que parezca detenido cuando el rango del *pitch* esté al 0%.
8. **Pitch Fader:** Este deslizador permite que se cambie el *pitch* de la reproducción. En la posición central, el *pitch* está al 0%.
9. **Key Lock (bloqueo de tono):** Este botón bloquea el tono de la música en la posición relativa del fader de *pitch*. Este efecto de procesamiento sólo está disponible cuando se usa la salida de la línea (LINE).
10. **Botón de cuarzo:** Este botón bloquea el *pitch* al 0% (no importa la posición del fader de *pitch*) usando el control del motor de cuarzo cuando está acoplado.
11. **Ajuste del torque:** Presione los botones 9 y 10 ligeramente y simultáneamente para ajustar las selecciones del torque del plato. Hay tres ajustes del torque. "L" es bajo, "M" mediano y "H" alto.
12. **Botones de 33 y 45 RPM:** Estos botones controlan las RPM del plato del giradiscos. Cuando ambos botones de 33 y 45 RPM se presionan simultáneamente, se activará el modo de 78 RPM.

Controles de visualización

La visualización del TTXUSB fue desarrollada para brindar una retroalimentación utilizable instantáneamente independientemente de la orientación del giradiscos. Conocer sus funciones puede mejorar su nivel de especialización.

- Sensores del sentido del plato:** Aunque el plato del giradiscos esté girando o esté parado, estos segmentos indican el sentido de giro. Se mueven en pares a los lados opuestos del visualizador.
NOTA: Si se retira el plato mientras el giradiscos está encendido, todos los segmentos parpadearán indicando que los imanes de transmisión han sido separados y que el motor ha entrado en el MODO DE PROTECCIÓN. Le recomendamos que apague el giradiscos después que entre en el MODO DE PROTECCIÓN antes de volver a colocar el plato.
- Indicadores de segmentos multifunciones:** Dependiendo del modo de visualización, estos indicadores pueden dar los ajustes del pitch, del BPM o del motor. Vea las funciones independientes de PITCH, BPM y de los CONTROLES DEL MOTOR para más información.
- Botón de BPM:** Presione este botón para conmutar la sección central del visualizador entre el ajuste actual del pitch y una lectura de los ritmos por minuto (BPM). Si presiona el botón y lo mantiene presionado por 2 segundos, el contador de BPM recalibrará la aproximación de los BPM. Si el visualizador indica "---" constante, significa que el TTXUSB está calculando el rango de los ritmos por minuto (BPM) O que no se puede distinguir una aproximación. Si el cálculo de los BPM es un "---" destellante, indica que no se está procesando ningún audio.
- Pitch en función los indicadores de BPM (ritmos por minuto):** La palabra PITCH y el símbolo de porcentaje (PERCENTAGE) están ambos activos mientras que el visualizador indica el ajuste del pitch. El indicador de BPM está activo solamente cuando el visualizador está ajustado para dar estimaciones aproximadas de los ritmos por minuto.
- Botón de rango de pitch:** Este botón alterna el rango de pitch entre el 10, 20 y 50% cuando se presiona en sucesión. Si se presiona y mantiene presionado este botón por 2 segundos, el rango del pitch será ajustado al 8% hasta que el botón se presione otra vez. Si se presiona y mantiene presionado este botón junto con el botón de BPM (3), se reducirá el contraste del Visualizador hasta que se suelten los botones.
- Indicadores de rango de pitch:** Estos indicadores estarán activos en función del rango de pitch (8, 10, 20 y 50%). Ningunos de estos indicadores están activos cuando el rango de pitch está ajustado al 8%.
- Ajustes de RPM:** Los segmentos de 33, 45 ó 78 estarán activos para el modo de RPM del motor respectivo.
- Indicador de bloqueo de tono (Key Lock):** Este símbolo indica que los procesadores de señales digitales instalados están conectando el tono (KEY) de la fuente que se reproduce.
NOTA: La función KEY LOCK se puede usar solamente cuando la salida está ajustada al nivel de línea (LINE).
- Indicación de bloqueo de cuarzo (Quartz Lock):** Si la función de QUARTZ LOCK (Controles generales) está activada, este segmento se activa y el visualizador destallará "- Q -" si el PITCH FADER está ajustado, hasta que la función del QUARTZ LOCK esté desactivada.
- Indicador de tiempo de arranque:** Si este indicador está activo mientras el motor se está arrancando, significa que el tiempo de arranque ha sido ajustado usando el ajustador de tiempo de arranque (Controles generales).
- Indicador de tiempo de frenado:** Si este indicador está activo mientras el motor se está parando, significa que el tiempo de parada ha sido ajustado usando el ajustador de tiempo de frenado (Controles generales).
- Contraste:** Presione (3) y (5) simultáneamente para realizar un ciclo por los niveles de contraste en el visualizador.



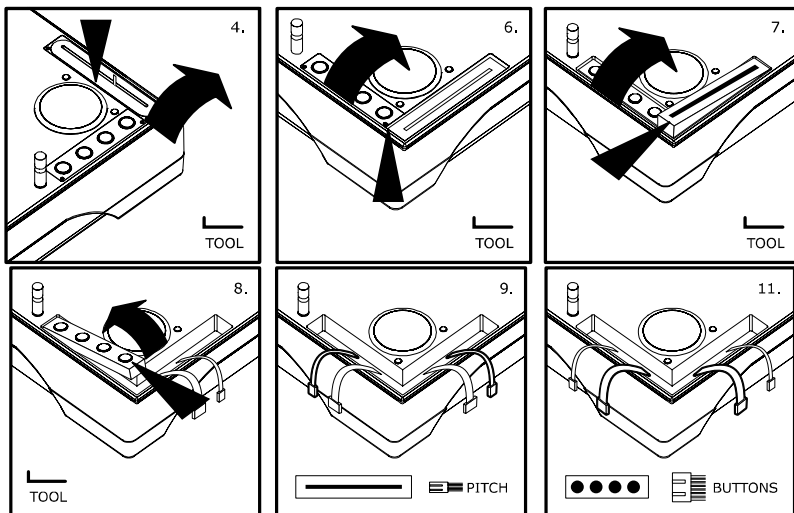
Intercambio de las cápsulas de Pitch Fader y de botones

El diseño único del TTXUSB permite que las configuraciones del PITCH FADER y los CONTROLES DE BOTONES sean intercambiados en función de la orientación del giradiscos. En el evento de daños o desgastes excesivos, estos componentes se deben reemplazar solamente con PARTES COMPATIBLES CON LAS PARTES DE NUMARK. Consulte al VENDEDOR DE NUMARK más cercano para obtener más información.

1. Apague el giradiscos o desenchúfelo de su fuente de alimentación.
2. Retire la PERILLA DE PITCH FADER y guárdela en un lugar seguro.
3. Use la HERRAMIENTA DE SERVICIO incluida para retirar dos tornillos que fijan la PLACA DE LA CÁPSULA DEL PITCH FADER. Después de retirarlos, coloque estos tornillos en un lugar seguro.
4. Use el lado plano de la HERRAMIENTA DE SERVICIO para extraer la PLACA DE LA CÁPSULA DEL PITCH FADER insertándola en la ranura en el centro de la placa y haciendo palanca hacia arriba.
5. Use la HERRAMIENTA DE SERVICIO incluida para retirar dos tornillos que fijan la PLACA DE LA CÁPSULA DE BOTONES. Después de retirarlos, coloque estos tornillos en un lugar seguro.
6. Usando el lado plano de la HERRAMIENTA DE SERVICIO otra vez, extraiga la PLACA DE LA CÁPSULA DE BOTONES insertándola debajo de la placa y haciendo palanca hacia arriba (vea la foto).
7. Ahora puede retirar las cápsulas con seguridad. Comience este proceso usando el lado plano de la HERRAMIENTA DE SERVICIO para extraer la CÁPSULA DEL PITCH FADER y sacarla del giradiscos (vea la foto). Después de retirarla, desmonte el

clip de alambre de la parte inferior de la cápsula.

8. Retire la cápsula de botones usando la HERRAMIENTA DE SERVICIO para extraer la cápsula del giradiscos. Después de retirarla, desmonte el clip de alambre de la parte inferior de la cápsula.
9. Ahora puede intercambiar las cápsulas con seguridad. Busque el CLIP DE ALAMBRE para la CÁPSULA DEL PITCH FADER y conéctelo a la parte inferior de la cápsula (vea la foto).
10. Vuelva a insertar la CÁPSULA DEL PITCH FADER en el compartimiento deseado del giradiscos. Tome mucho cuidado de NO apretar el arnés que no se usa debajo de la cápsula. Si se inserta correctamente, la cápsula debe apoyarse firmemente en el compartimiento.
11. Busque el CLIP DE ALAMBRE para la CÁPSULA DE BOTONES y conéctelo a la parte inferior de la cápsula (vea la foto).
12. Vuelva a insertar la CÁPSULA DEL BOTÓN al conector deseado del giradiscos. Tome mucho cuidado de NO apretar el arnés que no se usa debajo de la cápsula. Si se inserta correctamente, la cápsula debe apoyarse firmemente en el compartimiento.
13. Vuelva a asegurar la PLACA DE LA CÁPSULA DE BOTONES y la PLACA DE LA CÁPSULA DEL FADER insertando los lados con pestañas en el giradiscos primero.
14. Use la HERRAMIENTA DE SERVICIO incluida para apretar los cuatro tornillos que fijan las placas al cuerpo del giradiscos. No sobreapriete estos tornillos.
15. Vuelva a instalar la perilla del PITCH FADER y encienda el giradiscos.



OTRAS NOTAS IMPORTANTES

Por favor lea las notas de precauciones para asegurar un conocimiento completo y una larga vida de este giradiscos para DJ.

- Retirar el plato sin necesidad puede causar daños a la estructura de montaje del imán, al motor o al plato, que pueden ocasionar su funcionamiento incorrecto. El giradiscos debe apagarse SIEMPRE antes de retirar el plato del mismo por cualquiera razón.
- "Intercambiar" los tubos del brazo de lectura sin necesidad puede causar el desgaste prematuro de los componentes del montaje o de los tubos del brazo de lectura. Intercambie los tubos sólo cuando sea necesario.
- Apagar el giradiscos mientras la salida está ajustada al nivel de LÍNEA o mientras se está usando la salida SPDIF producirá la ausencia de audio. Recuerde esto durante el uso —si se desea el efecto de "motor apagado", le recomendamos que ajuste el CONTROL DE FRENO DEL MOTOR.
- No intente ajustar o apretar cualquier ningún del brazo de lectura. El funcionamiento incorrecto puede ser el resultado de un brazo de lectura mal ajustado o de una cápsula desgastada.
- Nunca intercambie los tubos del brazo de lectura mientras el giradiscos está encendido.
- No se recomienda ningún intento de "personalizar" su giradiscos más allá de cambiar los tubos del brazo de lectura, puesto que puede resultar en DAÑO PERMANENTE al giradiscos y/o en una GARANTÍA INVALIDA.

Especificaciones del TTXUSB

Sección del giradiscos:

Motor:	Transmisión directa – 16 Polos, 3 fases
Tiempo de arranque:	0-33.33 RPM en 0.2 segundos
Sistema de frenado:	Freno con servo electrónico de 9 pasos
Plato:	Diseño de baja fricción de aluminio fundido amortiguado
Velocidades:	33.33, 45 y 78 RPM
Wow y Flutter:	<0.15% WRMS (JIS C5521) Controlado digitalmente por un reloj interno de cuarzo.
Rango de pitch:	±8%, ±10%, ±20% y ±50%
Rumble:	-58dB (no ponderado IEC 98A) -79dB (ponderado IEC 98A)
Torque:	H : 4.7 kgfcm torque constante: 3.7 kgfcm torque instantáneo: 4.7 kgfcm M : 3.7 kgfcm torque constante: 2.7 kgfcm torque instantáneo: 3.7 kgfcm L : 2.5 kgfcm torque constante: 1.1 kgfcm torque instantáneo: 2.5 kgfcm

Sección del brazo de lectura:

Tipo:	Sistema de tubos intercambiables basados en anillos de bloqueo. Aluminio fundido Construcción de 3 cojinetes
Rango de altura:	0.0 – 6.0 mm.
Sistema de Cue:	Palanca elevadora amortiguada, soporte de brazo y clip de brazo
Peso de equilibrio:	peso en "S" de 7.0 gramos Plateado en aluminio de 75 gramos escala de rango de 0.0 – 3.5 gramos

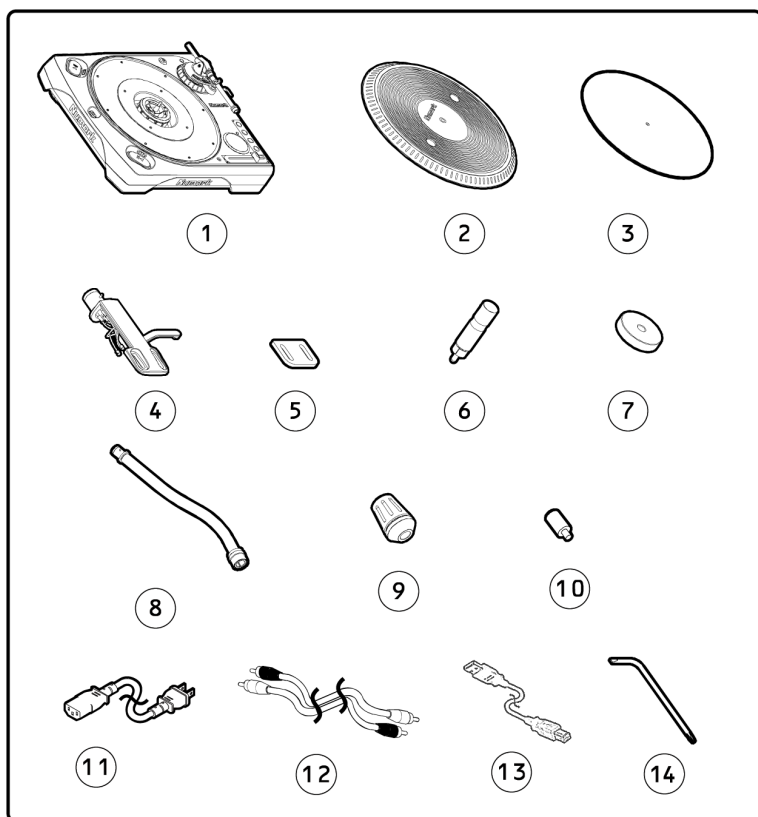
Generales:

Dimensiones:	370 mm (ancho por 460 mm (prof) por 135 mm (alto)
Peso:	27.7 lbs (12.6 kg)
Consumo de energía:	65 vatios
Interfaz de audio USB:	Compatible con USB 1.1

Numark® TTX^{USB}

PREMIUM USB TURNTABLE WITH ADJUSTABLE TORQUE

Guide d'utilisation simplifié

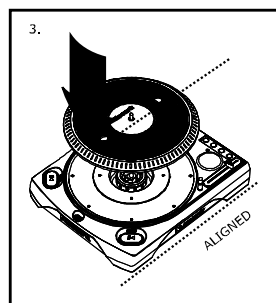
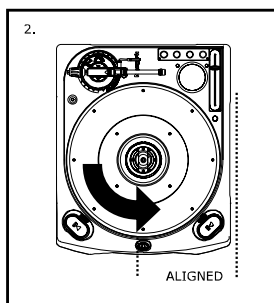
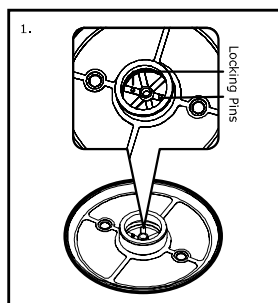


CONTENU DE LA BOÎTE :

1. TTXUSB équipé d'un bras de lecture droit
2. Plateau antitraîné en aluminium
3. Tapis
4. Coquille
5. Coquille de 2,5 g
6. Lumière cible
7. Adaptateur 45 tours/minute
8. Bras de lecture en forme de S
9. Contrepoids
10. Contrepoids supplémentaire pour bras de lecture en forme de S
11. Câble d'alimentation CEI
12. Câble RCA
13. Câble USB
14. Outil fourni

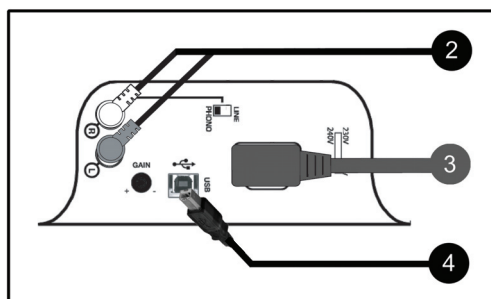
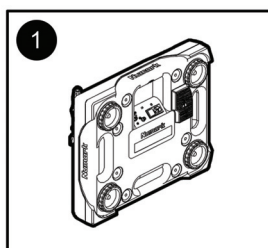
Guide d'assemblage rapide

VEUILLEZ LIRE LE LIVRET DES CONSIGNES DE SÉCURITÉ AVANT D'UTILISER LE PRODUIT.



1. Veuillez porter une attention particulière aux tiges de verrouillage illustrées ci-dessus. VEUILLEZ VOUS ASSURER QUE LE TOURNE-DISQUE N'EST PAS BRANCHÉ À UNE PRISE ÉLECTRIQUE.
2. Alignez le moteur interne tel qu'indiqué à la figure 2.
3. Placez le plateau en alignant les trous à la base tel qu'indiqué.

Connexions



1. Tournez le tourne-disque tel qu'indiqué.
2. Branchez le câble R-RCA audio (rouge) provenant d'une console de mixage ou d'un amplificateur. Branchez le câble L-RCA audio (blanc) provenant d'une console de mixage ou d'un amplificateur.
3. Utilisez uniquement le câble d'alimentation fourni et sélectionnez la tension adéquate pour votre région.
4. Branchez le tourne disque à votre ordinateur en utilisant le câble USB fourni.

Note : Veillez à ne pas coincer le filage sous la base.

Caractéristiques du panneau inférieur

1. Pieds amortisseurs en caoutchouc réglables :

Lorsque tous les pieds du tourne-disque sont complètement serrés, la partie plate supérieure, du tourne-disque sera à 85 mm. Les pieds se dévissent afin de compenser pour les surfaces inégales.

2. Poignées de transport :

Ces poignées permettent une prise sûre et confortable pour le transport du tourne-disque.

3. Sélecteur de tension :

Ce sélecteur permet de modifier le transformateur de tension interne entre 115 volts, 230 volts et 240 volts. Le tourne-disque devrait être livré avec la tension adéquate déjà réglée pour votre région.

Assurez-vous que le sélecteur est réglé pour votre région avant de brancher le câble d'alimentation afin d'éviter d'endommager le tourne-disque.

4. Connecteur d'alimentation CEI :

Ce connecteur d'alimentation CEI peut être utilisé, avec tous les câbles d'alimentation CEI, cependant, il est recommandé d'utiliser le câble d'alimentation CEI fourni. Veuillez vous assurer que le câble d'alimentation CEI utilisé procure suffisamment de dégagement sous l'appareil pour ne pas coincer le câble ou briser la douille d'alimentation.

5. Sortie RCA :

Ces sorties stéréo permettent de brancher le tourne-disque à un appareil compatible avec une entrée PHONO ou niveau LIGNE.

6. Sélecteur Phono/Ligne :

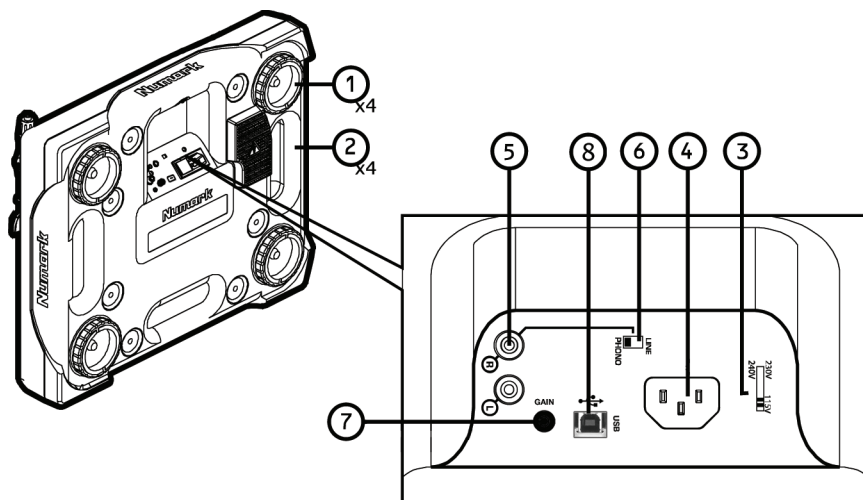
Ce sélecteur doit être réglé en fonction du type d'entrée branchée au tourne-disque. L'option PHONO est utilisée avec les entrées traditionnelles sur les récepteurs plus anciens ou lorsque PHONO est indiqué sur l'appareil. L'option niveau ligne permet au TTXUSB de se brancher directement aux appareils modernes tels que les ordinateurs, les systèmes stéréo et les consoles de mixage.

7. Bouton de gain :

Permet d'ajuster le niveau du signal audio USB.

8. Sortie audio USB :

Branchez le tourne disque à votre ordinateur en utilisant le câble USB fourni. Veuillez consulter le guide d'utilisation du logiciel avant de brancher le tourne disque.



Bras de lecture

1. Contrepoids/anneaux de pression et contrepoids en S :

Le contrepoids est utilisé pour équilibrer la coquille et l'ensemble cartouche afin que la force d'appui de la pointe de lecture soit adéquate. Le contrepoids en S doit être utilisé dans la plupart des cas ou la tubulure en S est utilisée. Il n'est pas nécessaire de l'utiliser avec la tubulure droite et peut être rangé sous le contrepoids.

2. Anneau de réglage de la hauteur :

En tournant cet anneau dans le sens antihoraire, le bras de lecture peut être rehaussé jusqu'à 6 mm pour accommoder plusieurs épaisseurs de tapis. Cet anneau ne peut être ajusté lorsque le levier de verrouillage de la hauteur (3) est verrouillé.

3. Levier de verrouillage de la hauteur :

En tournant ce levier en direction des flèches (dans le sens horaire), l'anneau de réglage de la hauteur (2) est déverrouillé afin d'ajuster la hauteur.

4. Réglage de la commande anti-dérapiage :

Ce réglage sert à compenser pour la force d'appui. Voir la section *Réglage du bras de lecture* pour plus de détails.

5. Bague de verrouillage secondaire du bras :

Cette bague sert à maintenir les tubulures du bras de lecture (droit ou en S) bien en place.

6. Serre-bras :

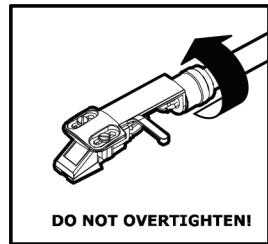
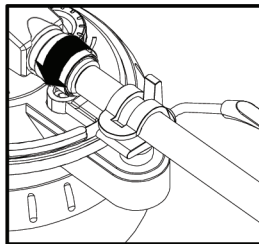
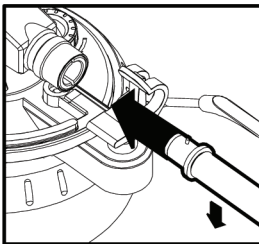
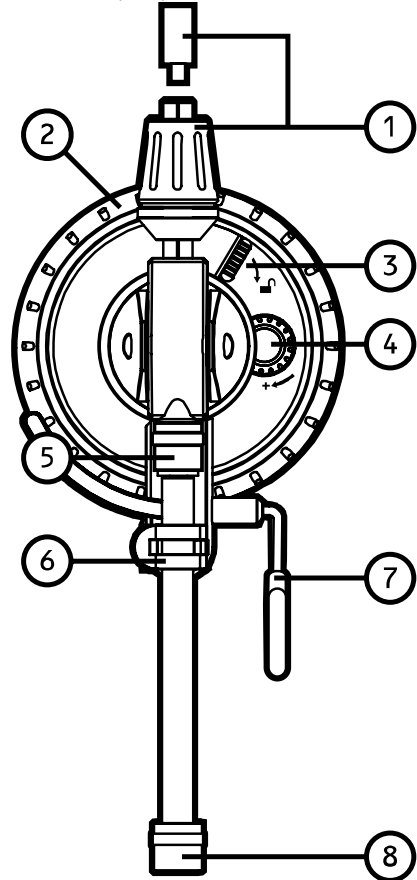
Le serre-bras est conçu spécialement pour maintenir le bras de lecture en place lors du transport ou lorsqu'il n'est pas utilisé.

7. Système de relève-bras :

Cette fonction permet de soulever et de reposer tout en douceur le bras de lecture à l'endroit voulu. Lorsque le relève-bras est en position élevée, le bras de lecture doit être sur le repose-bras. Lorsque le relève-bras est abaissé, le bras de lecture est posé en douceur jusqu'à ce que la pointe de lecture touche le disque.

8. Bague de verrouillage du bras de lecture :

Cette bague en aluminium est utilisée pour fixer la coquille et l'ensemble cartouche au bras de lecture. Voir la section *Réglage de la cartouche* pour plus de détails.

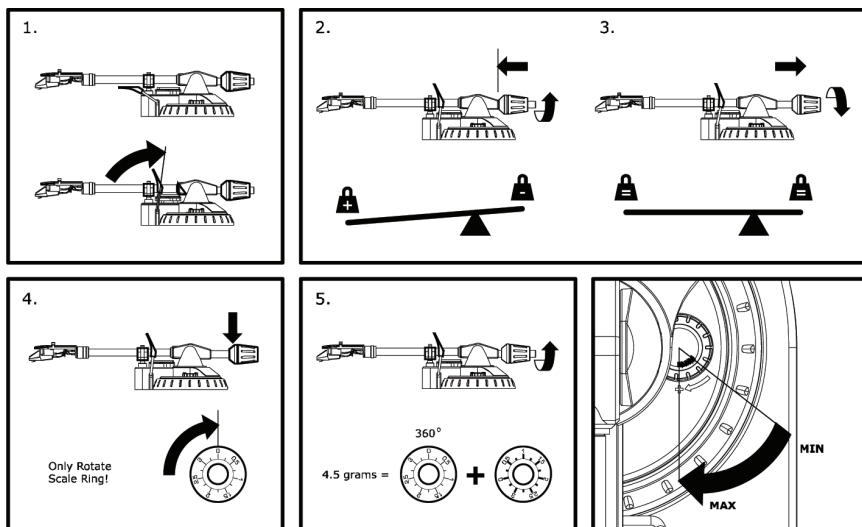


DO NOT OVERTIGHTEN!

MISE EN GARDE : NE PAS SERRER LA BAGUE DE VERROUILLAGE À FOND (5) OU LA BAGUE DE VERROUILLAGE DU BRAS DE LECTURE! (8)

L'UTILISATION DE BRAS AUTRES QUE CEUX DE MARQUE NUMARK AVEC CETTE BAGUE POURRAIT ENDOMMAGER LA HAUTEUR DES TIGES INTERNES DES CONTACTS!

Réglage du bras de lecture



1. Installez la cartouche et relevez le levier du bras afin de protéger la cartouche et la pointe de lecture.
2. Voyez comment le contrepois peut être déplacé.
3. Avec le relève-bras abaissé, équilibrez le poids du bras de lecture.
4. Réglez la tension à « 0 » à l'aide de l'anneau noir. Le bras de lecture doit être équilibré comme l'indique la Figure 2.
5. Tournez le contrepois jusqu'à ce que la tension désirée soit obtenue. (La plupart des spécifications de cartouches pour DJ varient entre 2,0 g et 4,0 g. Vérifiez le guide de la cartouche pour plus de détails.)

Réglage de la commande anti-dérappage

La commande anti-dérappage est illustrée sur la dernière figure.

Dans la plupart des cas, la commande anti-dérappage doit être réglée au minimum. L'anti-dérappage compense pour la force d'appui qui se produit avec certaines cartouches lorsque la pointe de lecture s'approche du centre du disque. Si le tourne-disque saute excessivement pendant la lecture inversée et le scatch, tout en s'approchant de l'axe central, essayez d'augmenter l'anti-dérappage en utilisant les incréments indiqués sur le cadran. Commencez par des petits incréments puis examinez le résultat et si nécessaire, augmentez encore.

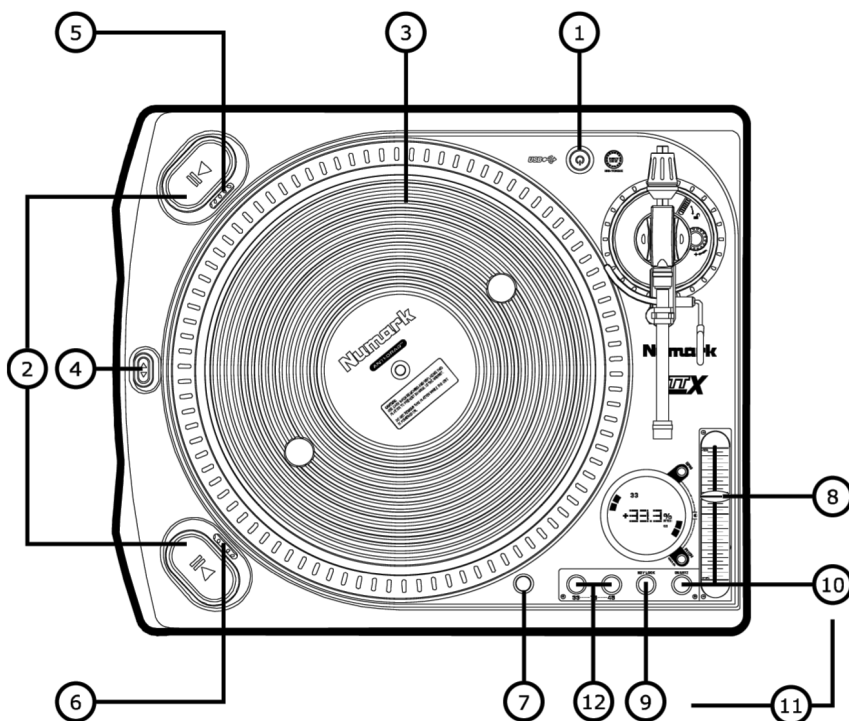
La commande anti-dérappage est surtout utilisée en conjonction avec le système de relève-bras dans le cas d'enregistrements de haute qualité.

REMARQUES DE FONCTIONNEMENT

Ce tourne-disque a été conçu pour accommoder différents styles de mixage. Voici quelques directives de fonctionnement général pour optimiser la performance du tourne-disque.

- Utilisez le tapis pour plateau fourni. Le tapis a été conçu pour réduire la friction entre le plateau et le disque afin de permettre la lecture de recherche inversée et le scatch.
- Ne placez pas le tourne-disque sur ou près d'un haut-parleur ou d'un caisson d'extrêmes graves (subwoofer). Il pourrait en résulter du bruit parasite selon les conditions environnantes.
- Fixer toujours le bras de lecture à l'aide du serre-bras lorsqu'il n'est pas utilisé. Ceci pourrait éviter d'endommager la pointe de lecture et le désengagement du bras de lecture du repose-bras.
- Pour éviter que la pointe de lecture ne saute trop, suivez les directives de la section *Réglage du bras de lecture* de ce guide. Trop de poids sur la cartouche peut causer un sautiller erratique ou endommager la pointe de lecture.

Commandes principales



1. **Interrupteur d'alimentation** : Permet de mettre le tourne-disque sous tension. Il s'illumine lorsque le tourne-disque est sous tension.
2. **Commutateurs Marche/Arrêt** : Permet de démarrer et d'arrêter le moteur du tourne-disque. Les deux boutons ont la même fonction.
3. **Plateau** : Ce tourne-disque est doté d'un détail de bordure qui est optimisé pour les ralentissements « traînés » du plateau. Lorsque la hauteur tonale est réglée à 0 % et que la lumière cible est utilisée, la bordure donne l'impression que le plateau ne bouge plus.
4. **Commande d'avance/retour** : Modifie la direction du moteur d'avant à arrière.
5. **Réglage du temps de démarrage** : Tournez pour augmenter ou diminuer le temps de démarrage du plateau.
6. **Réglage du temps de décélération** : Tournez pour augmenter ou diminuer le temps de décélération du plateau.
7. **Entrée pour lumière cible stroboscopique** : Cette lampe en aluminium peut être placée en fonction de la position de la coquille et du niveau d'éclairage nécessaire à la surface du disque en vinyle. Lorsque la hauteur tonale est réglée à 0 % et que la lumière stroboscopique éclaire la bordure du plateau, cela donne l'impression que le plateau ne bouge pas.
8. **Atténuateur de hauteur tonale** : Ce réglage permet de modifier la hauteur tonale du disque en cours. Lorsqu'il occupe la position centrale, la hauteur est de 0 %.
9. **Verrouillage tonale (Key Lock)** : Cette touche permet de verrouiller la tonalité de la musique à la position réglée par l'atténuateur de hauteur tonale. Cela fonctionne uniquement lorsque la sortie LIGNE est utilisée.
10. **Touche de verrouillage quartz** : Cette touche permet de verrouiller la tonalité à 0 % (sans égard pour la position de l'atténuateur) à l'aide du moteur à quartz, lorsqu'activé.
11. **Réglage du couple** : Appuyez légèrement sur les touches 9 et 10 simultanément pour modifier le réglage du couple du plateau. Il y a trois réglages pour le couple. Pour le niveau le moins élevé, réglez à « L », niveau moyen « M » et le niveau plus élevé « H ».
12. **Touche de vitesses de lecture 33/45 (t/min)** : Ces touches modifient le nombre de tours/minute du plateau du tourne-disque. Lorsque les deux touches pour la vitesse de lecture (33 et 45) sont enfoncées, le mode 78 T/MIN est activé.

Commandes d'affichage

L'écran d'affichage du TTXUSB a été conçu pour afficher les données en cours sans égard pour l'orientation du tourne-disque. Une bonne compréhension de ces fonctions peut améliorer votre niveau de compétence de manière significative.

- 1. Capteurs de direction du plateau :** Que le tourne-disque tourne ou qu'il soit arrêté, ces segments indiquent la direction de rotation du plateau. Ils se déplacent en paires sur les côtés opposés de l'écran d'affichage.

NOTE : Si le plateau est enlevé lorsque le tourne-disque est sous tension, tous les segments clignotent, indiquant que les aimants d'entraînement ont été retirés et que le moteur est entré en MODE DE PROTECTION. Il est recommandé que le tourne-disque soit mis hors tension après être entré en MODE DE PROTECTION avant de remplacer le plateau.

- 2. Indicateurs de segments multifonctions :** Selon le type de mode d'affichage, ces indicateurs permettent de savoir la hauteur tonale, le BPM ou les réglages du moteur. Pour de plus amples détails, voir la section concernant les fonctions indépendantes de la hauteur tonale, le BPM et les réglages du moteur.
- 3. Touche BPM :** Cette touche permet d'activer la section centrale de l'écran entre la lecture des réglages de la hauteur tonale en cours et des battements par minutes (BPM) estimés. Si cette touche est maintenue enfoncée pendant 2 secondes, le compteur refait une estimation du BPM. Si l'écran affiche un « --- » de façon soutenue, cela indique que le TTXUSB recalcule la portée du BPM OU, il est incapable de faire une estimation. Si l'estimation du BPM est indiquée par un « --- », c'est qu'il n'y a aucun signal audio.

- 4. La hauteur tonale contre les indicateurs de BPM :** Le mot « PITCH » et le symbole de pourcentage (%) sont tous les deux actifs lorsque l'écran affiche les réglages de la hauteur tonale. L'indicateur de BPM est uniquement actif lorsque l'écran est réglé pour fournir des estimations de BPM.

- 5. Touche de variation de la hauteur tonale :** Cette touche permet de modifier la portée de la hauteur tonale entre 10 %, 20 % et 50 % lorsqu'enfoncée à plusieurs reprises. Si cette touche est maintenue enfoncée pendant 2 secondes, la variation de la hauteur tonale est réglée à 8 % jusqu'à cette touche soit à nouveau enfoncée. Si cette touche est maintenue enfoncée en même temps que la touche de BPM (3), le contraste de l'écran d'affichage est diminué jusqu'à ce que les touches soient relâchées.

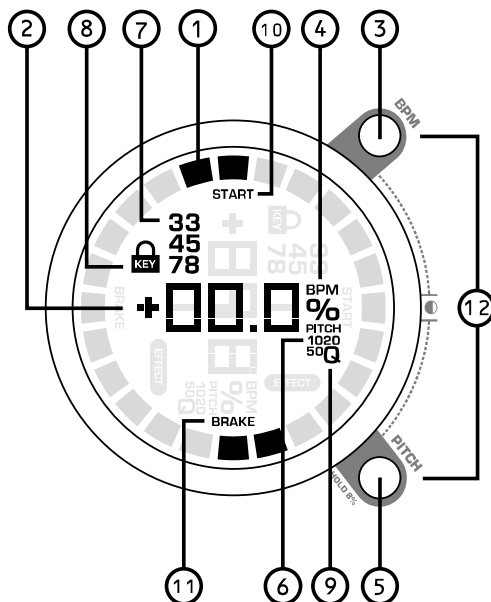
- 6. Indicateurs de variation de la hauteur tonale :** Ces indicateurs sont actifs en fonction de la variation de la hauteur tonale (8 %, 10 %, 20 %, 50 %). Lorsque la variation de la hauteur tonale est réglée à 8 %, aucun de ces indicateurs sont actifs.

- 7. Réglages du nombre de T/MIN :** Les 33, 45 ou 78 segments sont actifs en fonction du mode de T/MIN du moteur.

- 8. Indicateur de verrouillage tonale (Key Lock) :** Ce symbol indique que les processeurs de signaux numériques internes corrigent la tonalité du signal encours.

NOTE : La fonction de verrouillage tonale peut être utilisée que si la sortie est réglée à LIGNE.

- 9. Indication de verrouillage à quartz :** Si la fonction de verrouillage à quartz (QUARTZ LOCK) est activée, ce segment est activé et l'écran affiche « -Q - » si l'atténuateur de la hauteur tonale (PITCH FADER) est réglé jusqu'à ce que la fonction de verrouillage à quartz (QUARTZ LOCK) soit désactivée.
- 10. Indicateur du temps de démarrage :** Si l'indicateur est actif lorsque le moteur se met en marche, cela indique que le temps de démarrage a été modifié à l'aide du réglage du temps de démarrage (Commandes principales).
- 11. Indicateur du temps de décélération :** Si l'indicateur est actif lorsque le moteur s'arrête, cela indique que le temps de décélération a été modifié à l'aide du réglage du temps de décélération (Commandes principales).
- 12. Contraste :** Appuyez sur les touches (3) et (5) simultanément afin de défiler à travers les niveaux de contraste de l'écran d'affichage.

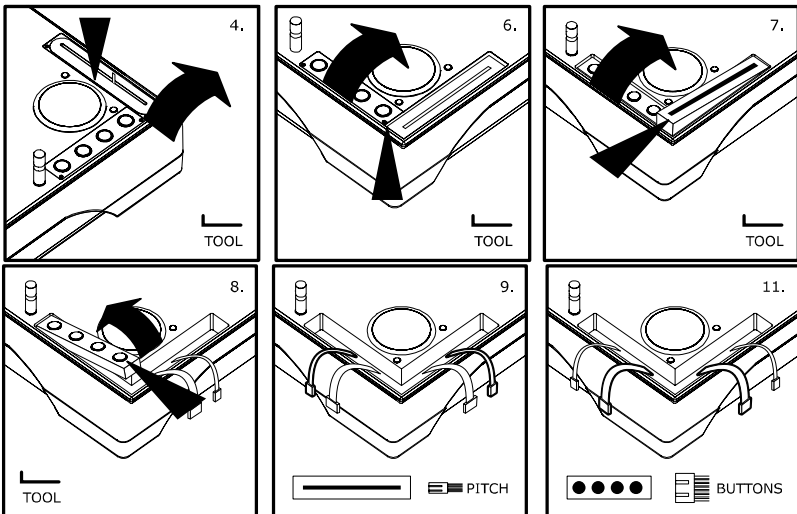


Changer l'atténuateur de la hauteur tonale et les boutons de réglage

La conception unique du TTXUSB permet d'échanger la position de l'atténuateur de la hauteur tonale (PITCH FADER) et des boutons de réglage (BUTTON CONTROLS) en fonction de l'orientation du tourne-disque. En cas de dommage ou d'usure, ces éléments doivent être remplacés par des PIÈCES COMPATIBLES AVEC LES ÉLÉMENTS NUMARK. Pour de plus amples renseignements, visitez un DISTRIBUTEUR NUMARK.

1. Mettez le tourne-disque hors tension ou débranchez-le de la source d'alimentation.
2. Enlevez le bouton de l'atténuateur de la hauteur tonale et mettez-le dans un endroit sûr.
3. Utilisez l'OUTIL FOURNI pour retirer les deux vis qui retiennent la PLAQUE DE LA CARTOUCHE DE L'ATTÉNUATEUR. Une fois retirées, mettre les vis dans un endroit sûr.
4. Utilisez le côté plat de l'OUTIL FOURNI pour retirer la PLAQUE DE LA CARTOUCHE DE L'ATTÉNUATEUR en l'insérant dans l'encoche au centre de la plaque et en forçant vers le haut.
5. Utilisez l'OUTIL FOURNI pour retirer les deux vis qui retiennent la PLAQUE DE LA CARTOUCHE DES BOUTONS DE RÉGLAGE. Une fois retirées, mettre les vis dans un endroit sûr.
6. Utilisez le côté plat de l'OUTIL FOURNI pour retirer la PLAQUE DE LA CARTOUCHE DES BOUTONS DE RÉGLAGE en l'insérant sous la plaque et en forçant vers le haut.
7. Les cartouches peuvent maintenant être retirées en toute sécurité. Commencez par utiliser le côté plat de l'OUTIL FOURNI pour retirer la PLAQUE DE LA CARTOUCHE DE L'ATTÉNUATEUR du tourne-disque (voir

8. l'illustration). Une fois retirée, détachez la bague du filmage située sous la cartouche.
9. Utilisez l'OUTIL FOURNI pour retirer maintenant la cartouche des boutons de réglage du tourne-disque. Une fois retirée, détachez la bague du filmage située sous la cartouche (voir l'illustration).
10. Les cartouches peuvent maintenant être échangées en toute sécurité. Rattachez la BAGUE DU FILLAGE DE LA CARTOUCHE DE L'ATTÉNUATEUR et branchez-la sous la cartouche (voir l'illustration).
11. Réinsérez la CARTOUCHE DE L'ATTÉNUATEUR dans l'emplacement choisi du tourne-disque. Veuillez vous assurer de NE PAS coincer les fils sous la cartouche. Si insérée correctement, la cartouche repose parfaitement dans l'ouverture.
12. Rattachez la BAGUE DU FILLAGE DE LA CARTOUCHE DES BOUTONS DE RÉGLAGE et branchez-la sous la cartouche (voir l'illustration).
13. Réinsérez la CARTOUCHE DES BOUTONS DE RÉGLAGE dans l'emplacement choisi du tourne-disque. Veuillez vous assurer de NE PAS coincer les fils sous la cartouche. Si insérée correctement, la cartouche repose parfaitement dans l'ouverture.
14. Refixez la PLAQUE DE LA CARTOUCHE DES BOUTONS DE RÉGLAGE et la PLAQUE DE LA CARTOUCHE DE L'ATTÉNUATEUR en insérant les côtés encochés en premier dans le tourne-disque.
15. Utilisez l'OUTIL FOURNI pour serrer les quatre vis qui retiennent les plaques au cadre du tourne-disque. Ne pas serrer les vis à fond.
16. Réinstallez le bouton de l'ATTÉNUATEUR DE LA HAUTEUR TONALE et remettez le tourne-disque sous tension.



REMARQUES IMPORTANTES

Veillez lire les précautions à prendre de vous assurer de bien comprendre le fonctionnement du tourne-disque pour DJ, et ainsi prolonger sa durée de vie.

- Enlever le plateau inutilement peut endommager la structure de montage de l'aimant, le moteur ou le plateau lui-même, résultant en une piètre performance. Le tourne-disque doit TOUJOURS être hors tension avant de retirer le plateau, quelle que soit la raison.
- Changer inutilement les tubulures du bras de lecture peut causer l'usure prématurée des éléments composant le bras de lecture ou des tubulures. Échangez les tubulures uniquement lorsque nécessaire.
- La mise hors tension du tourne-disque lorsque la sortie est réglée à LIGNE ou lorsque la sortie SPDIF est en service a pour conséquence l'absence du signal audio. Lors de l'utilisation, gardez à l'esprit que si l'effet souhaité est « moteur hors tension », il est recommandé d'ajuster le RÉGLAGE DE LA DÉCÉLÉRATION DU MOTEUR (BRAKE MOTOR CONTROL).
- Ne pas essayer d'ajuster ou de serrer un des éléments du bras de lecture. Un mauvais ajustement du bras de lecture ou l'usure d'une cartouche peut être la cause d'une piètre performance.
- Ne jamais changer les tubulures du bras de lecture lorsque le tourne-disque est sous tension.
- Toute tentative de personnaliser votre tourne-disque autre que de changer les tubulures du bras de lecture n'est pas recommandée et peut causer des DOMMAGES PERMANENTS et/ou ANNULER LA GARANTIE.

Spécifications du TTXUSB

Section tourne-disque :

Moteur :	Tourne-disque à entraînement direct – 16 pôles, 3 phases
Temps de démarrage :	0-33.33 tours/minute en 0,2 seconde
Système de décélération :	Frein moteur à asservissement électronique 9 temps
Plateau :	Fait d'aluminium moulé sous pression et à friction réduite.
Vitesses :	33, 45 et 78 t/min
Pleurage et scintillement (fluctuations de vitesse) :	<0,15 % WRMS (JIS C5521) Commander numériquement par l'horloge à quartz interne.
Variation de la hauteur tonale :	±8 %, ±10 %, ±20 % et ±50 %
Ronronnement :	-58 dB (IEC 98A non pondéré) -79 dB (IEC 98A pondéré)
Couple :	H : 4,7 kgfcm couple constant : 3,7 kgfcm couple de départ : 4,7 kgfcm M : 3,7 kgfcm couple constant : 2,7 kgfcm couple de départ : 3,7 kgfcm L : 2,5 kgfcm couple constant : 1,1 kgfcm couple de départ : 2,5 kgfcm

Section bras de lecture :

Type :	Système de bague de verrouillage et d'échange de tubulures. Aluminium moulé sous pression Conception à 3 supports
Portée de la hauteur du bras :	De 0,0 à 6,0 mm.
Système de lève-bras :	Lève-bras, appui-bras et serre-bras anti-vibration.
Poids de balance :	7,0 g contrepoids en S 75 g placage d'aluminium Échelle de poids 0,0 à 3,5 g

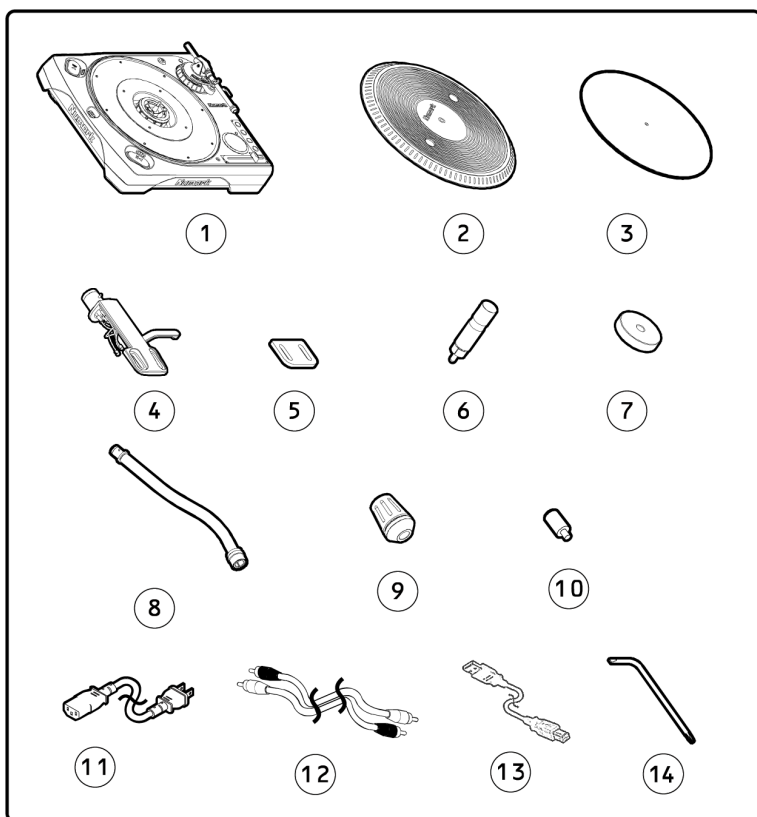
Généralités :

Dimensions :	370 mm (L) x 460 mm (P) x 135 mm (H)
Poids :	27, lb (12.6 kg)
Consommation électrique :	65 Watts
Interface USB audio :	Compatible USB1.1

Numark® TTX^{USB}

PREMIUM USB TURNTABLE WITH ADJUSTABLE TORQUE

Schnellbedienungsanleitung

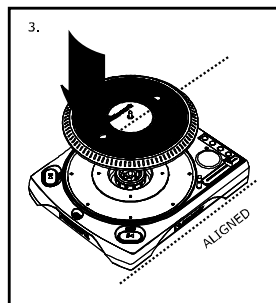
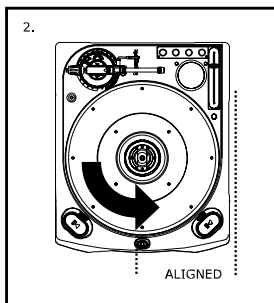
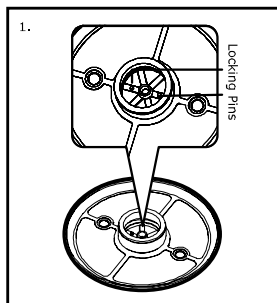


VERPACKUNGSIHALT

- | | |
|--------------------------------------|---|
| 1. TTXUSB mit geradem Tonarm | 8. S-förmiger Tonarm |
| 2. Anti-Drag Aluminium-Plattenteller | 9. Gegengewicht |
| 3. Slipmat | 10. Zusätzliches Gegengewicht für S-förmigen Tonarm |
| 4. Headshell | 11. Netzkabel |
| 5. 2,5g-Gewicht für Headshell | 12. Kabel mit Cinchstecker |
| 6. Ziellampe | 13. USB Kabel |
| 7. 45 RPM-Adapter | 14. Werkzeug |

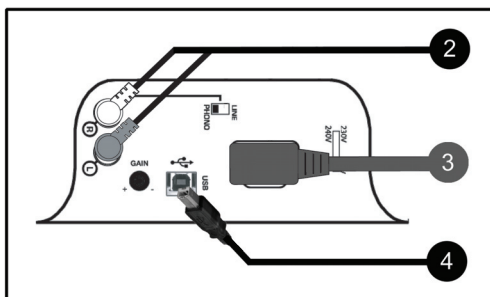
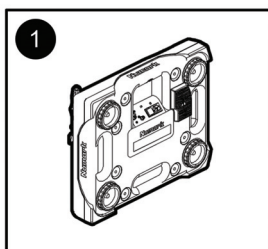
Schnellaufbauanleitung

VOR GEBRAUCH DIESES PRODUKTES BITTE DAS HEFT MIT DEN SICHERHEITSHINWEISEN LESEN



1. Sehen Sie sich die gezeigten Sicherungsstifte an. **STELLEN SIE SICHER, DASS DER PLATTENSPIELER NICHT ANS NETZ ANGESCHLOSSEN IST.**
2. Drehen Sie den inneren Motor in die auf Abbildung 2 gezeigte Stellung.
3. Legen Sie den Plattenteller vorsichtig wie gezeigt auf, sodass sich die Löcher mit denen der Basis in einer Linie befinden.

Anschlüsse



1. Kippen Sie den Plattenspieler wie gezeigt in eine aufrechte Position.
2. Schließen Sie das vom Mischpult oder Verstärker kommende Audiokabel vom Typ R-RCA (rot) an.
3. Schließen Sie lediglich das mitgelieferte Netzkabel an und überprüfen Sie, dass der Stromspannungsschalter auf die für Ihren Betriebsort korrekte Stromspannung eingestellt ist.
4. Benutzen Sie das mitgelieferte USB Kabel um den Plattenspieler mit ihrem Computer zu verbinden. Der TTXUSB ist kompatibel zu USB 1 und USB 2 Anschlüssen.

Hinweis: Stellen Sie sicher, dass keine Kabel unter dem Gerät eingeklemmt werden.

Bedienelemente Unterseite

1. Verstellbare GummifüÙe zur Dämpfung:

Wenn alle FüÙe des Plattenspielers fest angezogen sind, befindet sich die oberste Fläche des Plattenspielers auf einer Höhe von 85mm. Diese FüÙe können nach unten geschraubt werden, um unebene Standflächen auszugleichen.

2. Tragegriffe:

Diese Griffe geben einen sicheren Halt zum bequemen Transport des Plattenspielers.

3. Stromspannungsschalter:

Mit diesem wird der interne Spannungstransformer zwischen den Spannungen 115V, 230V und 240V umgeschaltet. Der Plattenspieler sollte mit der für Ihre Region korrekt eingestellten Spannung ausgeliefert werden. Überprüfen Sie vor Anschluss des Netzkabels, dass dieser Schalter auf der korrekten Spannung steht, um eine Beschädigung des Plattenspielers zu vermeiden.

4. Netzbuchse (IEC-Standard):

Die Netzbuchse kann mit jedem IEC-konformen Netzkabel verwendet werden, es wird jedoch empfohlen, das beigelegte Netzkabel zu verwenden. Überprüfen Sie, dass das verwendete Netzkabel in jedem Fall unterhalb des Geräts ausreichend Spielraum hat, damit das Kabel nicht eingeklemmt oder die Netzbuchse nicht beschädigt wird.

5. RCA-Ausgang:

Diese Stereoausgänge ermöglichen den Anschluss des Plattenspielers an ein kompatibles Gerät mit PHONO- oder LINE-Pegel Eingang.

6. Phono/Line-Schalter

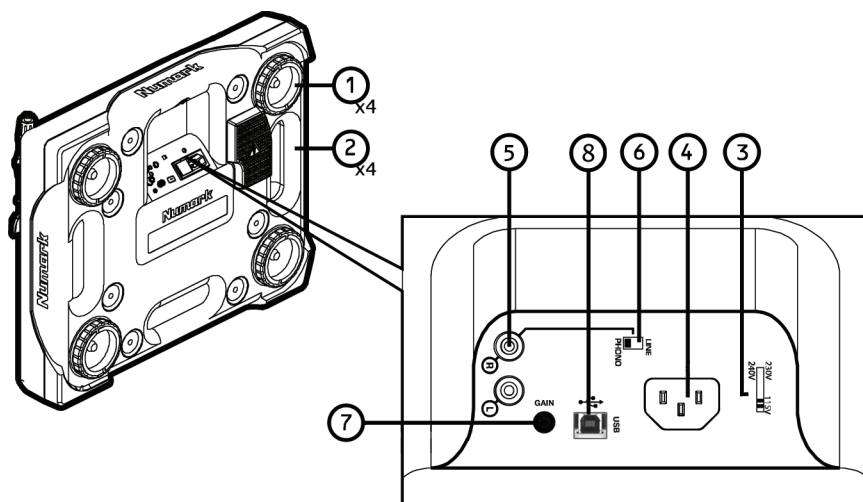
Dieser Schalter sollte, abhängig von der an den Plattenspieler angeschlossenen Eingabegeräte, auf den korrekten Pegel gestellt werden. PHONO wird mit herkömmlichen Plattenspielerereingängen, älteren Empfangsgeräten oder in den Fällen, in denen ausdrücklich PHONO angegeben ist, benutzt. LINE-Pegel ermöglicht den Anschluss des TTXUSB an moderne, elektronische Eingabegeräte wie Computer, Heimstereoeinrichtungen und Mischpulte.

7. GAIN Regler:

Bestimmt den Pegel des USB Audiosignals.

8. USB Audio Ausgang:

Benutzen Sie das mitgelieferte USB Kabel um den Plattenspieler mit ihrem Computer zu verbinden. Der TTXUSB ist kompatibel zu USB 1 und USB 2 Anschlüssen. Weitere Hinweise zu den System Einstellungen der Software entnehmen Sie bitte der Anleitung zur Software Installation.



Zusammenbau des Tonarms

1. Gegengewicht/Ring und S-Gewicht:

Das Gegengewicht dient zum Ausbalancieren des Headshells und des Einsteckmoduls, um den korrekten Auflagedruck der Tonabnehmernadel auf die Platte zu erzielen. Das S-Gewicht sollte meistens bei Verwendung des S-förmigen Tonarms verwendet werden. Es wird für den geraden Arm nicht gebraucht und kann in diesem Fall unter dem Gegengewicht im oberen Fach aufbewahrt werden.

2. HöhengEinstellung:

Wird dieser Ring gegen den Uhrzeigersinn gedreht, hebt sich der Tonarm bis zu 6 mm an und somit können verschieden dicke Slipmats ausgeglichen werden. Der Ring kann ohne vorheriges Öffnen der Höhenarretierung (3) nicht eingestellt werden.

3. Höhenarretierung:

Bei Drehung dieses Hebels in Pfeilrichtung (im Uhrzeigersinn) wird der HöhengEinstellung (2) freigegeben, um die Höhe des Tonarms einzustellen.

4. Anti-Skate-Einstellung:

Dieser Regler wird zum Ausgleich von nach innen wirkenden Fliehkräften verwendet. Weitere Einzelheiten zur Einstellung finden Sie im Abschnitt Tonarmaufbau.

5. Zusätzlicher Tonarmbefestigungssterring:

Dieser Sterring dient zur Sicherung der Tonarme (gerade oder S-förmig) in der Tonarmhalterung.

6. Tonarm-Clip:

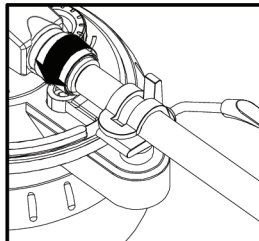
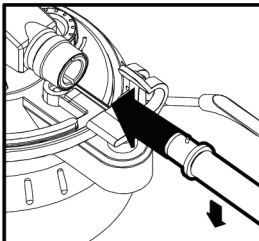
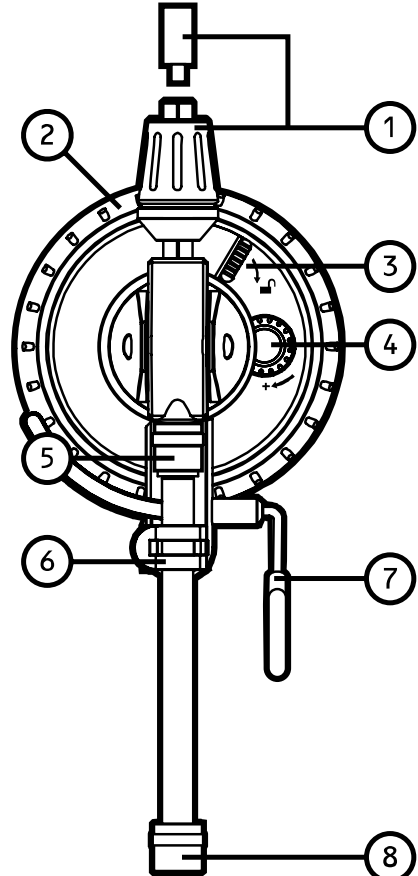
Dieser speziell entworfene Tonarm-Clip hält den Tonarm bei Transport oder Nichtbenutzung an Ort und Stelle.

7. Tonarm-Cueing-System:

Diese Vorrichtung ermöglicht es dem Benutzer, den Tonarm an einer bestimmten Stelle über der Platte zu platzieren und dann langsam herunterzulassen. Wenn sich der Tonarmheber in der aufrechten Position befindet, sollte sich der Tonarm auf der Tonarmablage befinden. Wird der Heber gesenkt, wird der Tonarm langsam auf die Platte abgesenkt, bis die Tonabnehmernadel auf die Platte trifft.

8. Tonarmbefestigungsmutter:

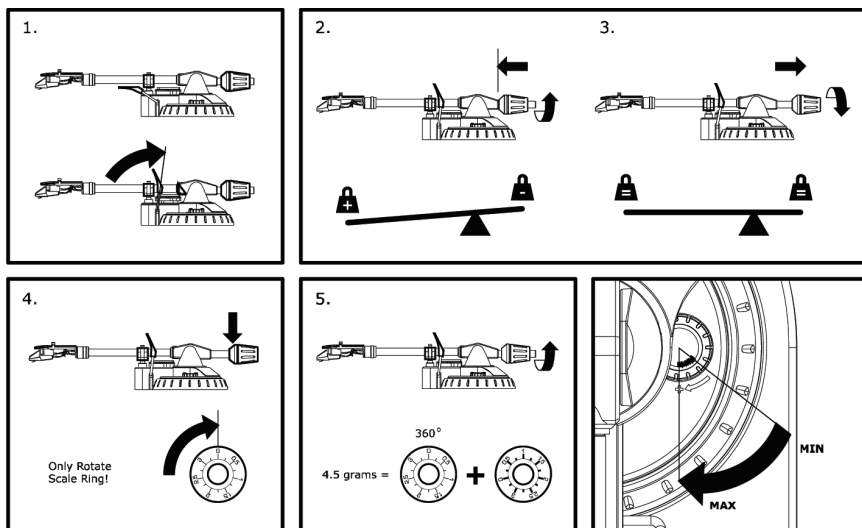
Diese Aluminiummutter dient zur sicheren Verbindung des Headshells und des Einsteckmoduls mit dem Tonarm. Weitere Einzelheiten finden Sie im Abschnitt Aufbau des Einsteckmoduls.



WARNUNG: SCHLIEßMANSCHETTE BEIM FESTSTELLEN NICHT ÜBERDREHEN! (5 & 8)

BEI ANSCHLUSS VON ANDEREN TONARMEN ALS DER MARKE NUMARK KÖNNEN DIE LÄNGEN DER INTERNEN ANSCHLUSSSTIFTE BESCHÄDIGT WERDEN!

Aufbau des Tonarms



1. Setzen Sie das Einsteckmodul ein und heben Sie den Arm mit dem dafür vorgesehenen Hebel zum Schutz des Einsteckmoduls/der Tonabnehmernadel an.
2. Machen Sie sich mit der Art und Weise, auf die das Gegengewicht bewegt werden kann, vertraut.
3. Mit abgesenktem Cueing-Systemhebel stellen Sie das Gewicht so ein, dass der gesamte Tonarm frei schwebt.
4. Stellen Sie die Gewichtsskala auf Null, indem Sie den schwarzen Ring drehen, bis die "0" mit der Markierung übereinstimmt. Der gesamte Tonarm sollte während dieses Vorgangs immer noch wie auf Abbildung 2 gezeigt ausbalanciert sein.
5. Drehen Sie das Gegengewicht bis das gewünschte Gewicht in Gramm erreicht ist. (Die Angaben für die meisten DJ-Einsteckmodule reichen von 2,0g bis 4,0g. Sehen Sie in der Anleitung für das Einsteckmodul nach)

Anti-Skate-Einstellung

Der Anti-Skate-Regler ist in der letzten Abbildung ersichtlich. In den meisten Fällen sollte das Anti-Skate auf die kleinstmögliche Stellung eingestellt werden. Anti-Skate dient zum Ausgleich von nach innen gerichteten Kräften, welche mit manchen Einsteckmodulen auftreten, sobald sich die Tonabnehmernadel dem Zentrum der Platte nähert. Falls beim Plattenspieler während Back-Cueing und Scratching übermäßiges Skipping im Bereich nahe der Zentralnabe auftritt, versuchen Sie, das Anti-Skating in den auf der Anzeige angegebenen Schritten zu erhöhen. Fangen Sie mit kleinen Schritten an, testen Sie die Wirkung und erhöhen Sie, falls nötig.

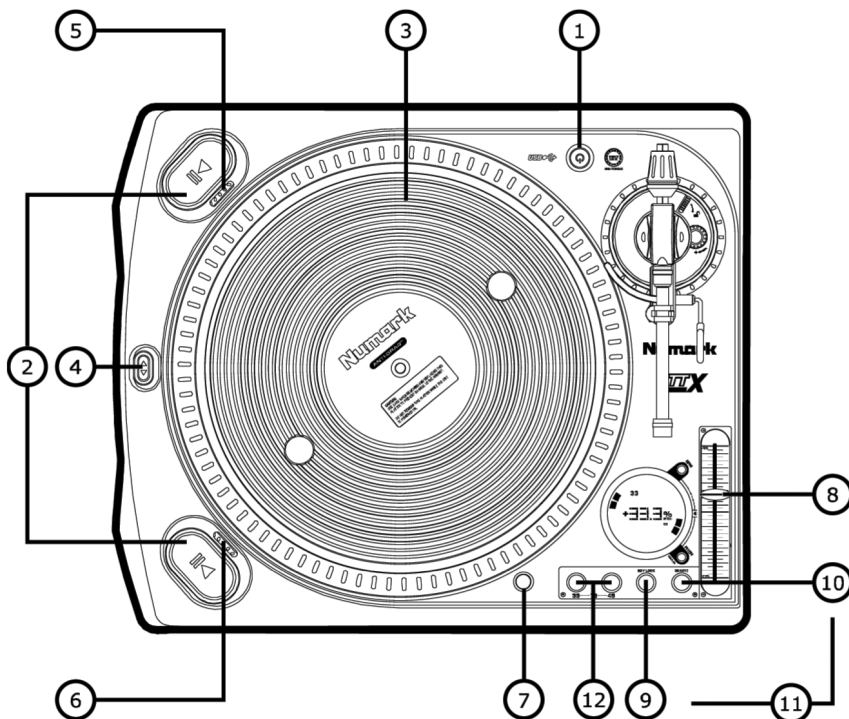
Der Anti-Skate-Regler wird hauptsächlich bei Hochqualitätsaufnahmen in Verbindung mit dem Tonarm-Cueing-System eingesetzt.

BEDIENUNGSHINWEISE

Dieser Plattenspieler wurde für eine Vielfalt von verschiedenen Mischstilen entworfen. Nachstehend einige grundlegende Bedienungsrichtlinien, um die beste Leistung dieses Plattenspielers zu erzielen.

- Verwenden Sie beim Abspielen von Platten die beigelegte **Slipmat**. Diese Slipmat wurde zur Verringerung der Reibung zwischen dem Plattenteller und der Platte entworfen, um schnelles Back-Cueing und wirkungsvolles Scratching zu ermöglichen.
- Stellen Sie den Plattenspieler nicht auf oder in die Nähe eines Lautsprechers oder Tieftonlautsprechers. Dies kann, abhängig von der Umgebung, unerwünschte Geräusche hervorrufen.
- Arretieren Sie den Tonarm bei Nichtgebrauch immer mit dem Arm-Clip. Damit können Beschädigungen der Tonabnehmernadel und unbeabsichtigte Bewegungen des Tonarms vermieden werden.
- Um Skipping der Tonabnehmernadel zu vermeiden, folgen Sie den Richtlinien im Abschnitt Tonarmaufbau dieser Anleitung. Ein zu hohes Gewicht auf dem Einsteckmodul kann zu unberechenbarem Skipping oder Beschädigung der Tonabnehmernadel führen.

Allgemeine Bedienelemente



1. **Ein/Aus-Taste:** Schaltet bei Herunterdrücken den Plattenspieler ein und ist bei eingeschaltetem Plattenspieler blau beleuchtet.
2. **Start/Stop-Tasten:** Start und Stop des Plattenspielermotors. Beide Tasten haben dieselbe Funktion.
3. **Plattenteller:** Der Rand dieses Plattentellers besitzt ein spezielles Design, welches für eine "schleppende" Verlangsamung des Plattentellers optimiert wurde. Wird die Ziellampe verwendet, scheint das Muster bei einer Tonhöhe von 0% still zu stehen.
4. **Vorwärts-/Rückwärts-Umschalter:** Umschalten der Motorrichtung von vorwärts auf rückwärts und umgekehrt.
5. **Anlaufzeiteinstellung:** Drehen führt zur Erhöhung oder Verminderung der Anlaufzeit des Plattentellers.
6. **Anhaltezeiteinstellung:** Drehen führt zur Erhöhung oder Verminderung der Anhaltezeit des Plattentellers.
7. **Stroboskop-Ziellampe und Netzanschluss:** Diese Aluminiumlampe kann, abhängig von der Stellung des Tonabnehmergehäuses und des benötigten Lichts auf der Plattenoberfläche, gedreht werden. Beleuchtet das Licht den Rand des Plattentellers, scheint das Muster bei einer Tonhöhe von 0% still zu stehen.
8. **Tonhöhen-Fader:** Dieser Schieberegler dient zur Verschiebung der Tonhöhe der Wiedergabe. Steht er in der mittleren Position, befindet sich die Tonhöhe auf 0%.
9. **Tonschlüsselanbindung:** Mit dieser Taste kann der Tonschlüssel der Musik an die relative Position des Tonhöhen-Faders angebunden werden. Dieser Effekt ist nur bei Verwendung des LINE-Ausgangs verfügbar.
10. **Quarz-Taste:** Diese Taste hält die Tonhöhe durch Verwendung der Quarz-Motorsteuerung auf 0% (unabhängig von der Stellung des Tonhöhen-Faders).
11. **Einstellung des Drehmoments:** Drücken Sie die Tasten 9 und 10 gleichzeitig leicht herunter, um das Drehmoment des Plattentellers einzustellen. Für das Drehmoment gibt es drei Einstellungen. "L" ist niedrig, "M" ist mittel und "H" ist hoch.
12. **33- und 45-RPM-Tasten:** Diese Tasten steuern die Umdrehungsgeschwindigkeit des Plattentellers. Falls die 33- und 45-RPM-Tasten gleichzeitig gedrückt werden, wird der 78-RPM-Modus eingeschaltet.

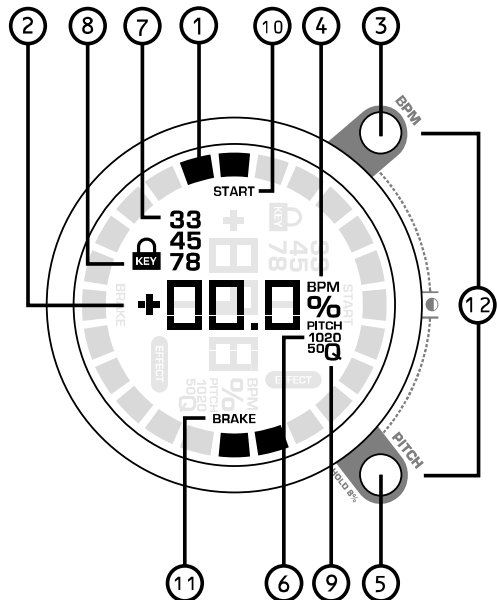
Bedienelemente Anzeige

Die Bedienelemente der Anzeige des TTXUSB wurden entwickelt, um jederzeit genaue Auskunft über den Betriebsmodus des Geräts zu geben, unabhängig von dessen Ausrichtung. Ein Verständnis der Funktionen resultiert in besserer Bedienung.

- Richtungssensoren für Plattenteller:** Unabhängig davon, ob sich der Plattenteller dreht oder anhält, zeigen diese Segmente die Drehrichtung an. Sie bewegen sich jeweils paarweise auf den gegenüberliegenden Seiten der Anzeige.

HINWEIS: Wird der Plattenteller abgenommen, während das Gerät ans Netz angeschlossen ist, blinken alle ringförmig angeordneten Segmente auf und zeigen damit an, dass die Steuermagnete auseinandergezogen wurden und der Motor sich nun im SCHUTZMODUS befindet. Es ist empfehlenswert, den Plattenspieler in diesem Fall vom Netz zu nehmen, bevor der Plattenteller wieder aufgelegt wird.
- Multifunktions-Bereichsanzeige:** Abhängig vom Anzeigemodus geben diese Indikatoren Auskunft über Tonhöhe, BPM (Taktschläge pro Minute) oder Motoreinstellung. Weitere Einzelheiten hierzu finden Sie in den unabhängigen Funktionen der TONHÖHEN-, BPM und MOTORSTEUERUNGEN.
- BPM-Taste:** Mithilfe dieser Taste wird die mittlere Sektion der Anzeige zwischen den Werten der momentanen Tonhöhe und einer geschätzten Anzahl von Taktschlägen pro Minute (BPM) umgeschaltet. Wird diese Taste gedrückt und für 2 Sekunden gehalten, berechnet der BPM-Zähler eine neue BPM-Schätzung. Wird andauernd "----" angezeigt, bedeutet dies, dass der TTXUSB den BPM-Bereich berechnet oder dass es nicht möglich ist, eine Schätzung durchzuführen. Falls in der Anzeige "----" aufblinkt bedeutet dies, dass kein Audiosignal verarbeitet wird.
- Tonhöhen- gegenüber BPM-Anzeige:** Das Wort TONHÖHE und das PROZENTZEICHEN werden beide gleichzeitig mit dem Wert für die Tonhöhe angezeigt. Die BPM-Anzeige ist nur dann aktiv, wenn die Anzeige darauf eingestellt ist, BPM-Schätzwerte anzuzeigen.
- Tonhöhenbereichstaste:** Ein mehrmaliges Drücken dieser Taste schaltet den Tonhöhenbereich zwischen den Werten 10, 20 und 50% um. Wird diese Taste gedrückt und für 2 Sekunden gehalten, wird die Tonhöhe auf 8% gesetzt, bis die Taste erneut gedrückt wird. Wird diese Taste zusammen mit der BPM-Taste (3) gedrückt und gehalten, verringert sich der Kontrast der Anzeige, bis beide Tasten freigegeben werden.
- Tonhöhenbereichsindikatoren:** Diese Indikatoren sind je nach Tonhöhenbereich (8, 10, 20, 50%) aktiv. Ist der Tonhöhenbereich auf 8% eingestellt, ist keine dieser Anzeigen aktiv.
- RPM-Einstellung:** Die Segmente für 33, 45 oder 78 RPM sind je nach gewählter Motorgeschwindigkeit aktiv.
- Anzeige Tonschlüsselarretierung:** Dieses Symbol zeigt an, dass die eingebauten digitalen Signalprozessoren den TONSCHLÜSSEL der Wiedergabequelle korrigieren.

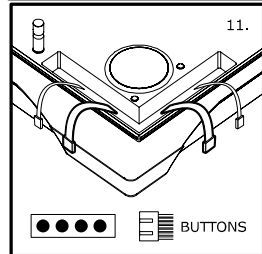
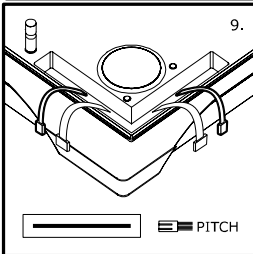
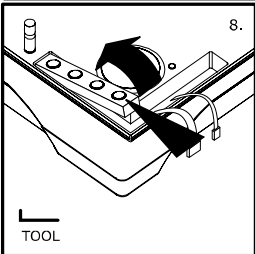
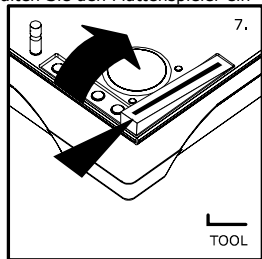
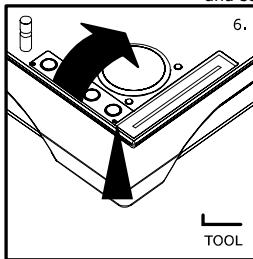
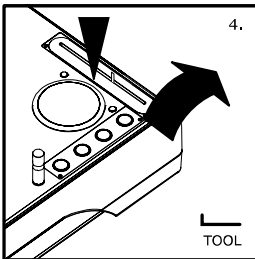
HINWEIS: Die TONSCHLÜSSELARRETIERUNG kann nur verwendet werden, wenn der Ausgang auf LINE-Pegel eingestellt ist.
- Anzeige Quarzarretierung:** Läuft der Motor unter QUARZARRETIERUNG (Allgemeine Bedienelemente), wird diese Anzeige aktiv und "- Q -" aufblinken, falls der TONHÖHEN-FADER eingestellt wird, bevor die QUARZARRETIERUNG aufgehoben wird.
- Anzeige Anlaufzeit:** Falls diese Anzeige bei Motorstart aktiv ist, bedeutet dies, dass die Anlaufzeit mit der Anlaufzeitsteuerung (Allgemeine Bedienelemente) eingestellt wurde.
- Anzeige Anhaltezeit:** Falls diese Anzeige bei Motorstop aktiv ist, bedeutet dies, dass die Anhaltezeit mit der Anhaltezeitsteuerung (Allgemeine Bedienelemente) eingestellt wurde.
- Kontrast:** Beide Tasten (3) und (5) gleichzeitig drücken, um die Kontrastpegel der Anzeige zu durchlaufen.



Positionswechsel des Tonhöhen-Faders und der Tastensteuerung

Das einmalige Design des TTXUSB ermöglicht es dem Benutzer, die Position des TONHÖHEN-FADERS und der TASTENSTEUERUNG je nach Ausrichtung des Plattenspielers gegeneinander auszuwechseln. Falls diese beschädigt oder abgenutzt sind, sollten sie nur durch NUMARK-KOMPATIBLE TEILE ersetzt werden. Für weitere Informationen wenden Sie sich an Ihren nächstgelegenen NUMARK HÄNDLER.

- Schalten Sie den Plattenspieler aus oder stecken Sie diesen von dessen Stromquelle aus.
- Nehmen Sie die TONHÖHENTASTE ab und bewahren Sie diese an einem sicheren Platz auf.
- Verwenden Sie das beigelegte WERKZEUG, um die zwei Schrauben, welche zur Befestigung der ABDECKPLATTE des TONHÖHENFADERS dienen, zu lösen. Sind diese entfernt, bewahren Sie auch diese an einem sicheren Platz auf.
- Verwenden Sie nun die flache Seite des WERKZEUGS, um die ABDECKPLATTE des TONHÖHENFADERS zu lösen, indem Sie dieses in den zentralen Ausschnitt der Abdeckung stecken und sanft nach oben drücken.
- Verwenden Sie das beigelegte WERKZEUG, um die zwei Schrauben, welche zur Befestigung der ABDECKPLATTE der TASTENSTEUERUNG dienen, zu lösen. Sind diese entfernt, bewahren Sie auch diese an einem sicheren Platz auf.
- Verwenden Sie nun die flache Seite des WERKZEUGS, um die ABDECKPLATTE der TASTENSTEUERUNG zu lösen, indem Sie dieses unterhalb der Abdeckung einführen und sanft nach oben drücken (siehe Abbildung).
- Die Gehäuse können nun sicher entfernt werden. Verwenden Sie hierzu die flache Seite des WERKZEUGS, um den TONHÖHEN-FADER nach oben aus dem Plattenspieler herauszuschieben (siehe Abbildung). Ist er
- heraus, stecken Sie den Kabelstecker an der Unterseite des Gehäuses aus.
- Entfernen Sie nun das Tastengehäuse durch Herauschieben mit Hilfe des WERKZEUGS. Nach der Entfernung trennen Sie den Kabelstecker von der Unterseite des Gehäuses (siehe Abbildung).
- Die beiden Gehäuse können nun gegeneinander ausgetauscht werden. Finden Sie den KABELSTECKER für das TONHÖHENFADER-GEHÄUSE und schließen Sie diesen an die Unterseite des Gehäuses an (siehe Abbildung).
- Stecken Sie das TONHÖHENFADER-GEHÄUSE in die gewünschte Aussparung des Plattenspielers. Seien Sie sehr vorsichtig, um überzählige Kabelstränge unterhalb des Gehäuses NICHT einzuklemmen. Bei vorschriftsmäßigem Einsetzen sollte das Gehäuse fest in der Aussparung sitzen.
- Finden Sie den KABELSTECKER für das TASTENGEHÄUSE und schließen Sie diesen an die Unterseite des Gehäuses an (siehe Abbildung).
- Stecken Sie das TASTENGEHÄUSE in die gewünschte Aussparung des Plattenspielers. Seien Sie sehr vorsichtig, um überzählige Kabelstränge unterhalb des Gehäuses NICHT einzuklemmen. Bei vorschriftsmäßigem Einsetzen sollte das Gehäuse fest in der Aussparung sitzen.
- Befestigen Sie die ABDECKPLATTEN für das TASTENGEHÄUSE und das FADERGEHÄUSE wieder, indem Sie zuerst die mit Laschen versehenen Seiten in den Plattenspieler stecken.
- Mit dem WERKZEUG ziehen Sie nun die vier Schrauben, welche zur Befestigung der Abdeckplatten am Plattenspieler dienen, an. Überdrehen Sie diese Schrauben jedoch nicht.
- Setzen Sie den TONHÖHENREGLER wieder auf und schalten Sie den Plattenspieler ein



WEITERE WICHTIGE HINWEISE

Lesen Sie sich bitte diese Hinweise aus Gründen der Vorsicht durch, um volles Verständnis für den Betrieb und eine lange Lebensdauer dieses DJ-Plattenspielers zu gewährleisten.

- Unnötiges Entfernen des Plattentellers kann zu Beschädigungen der magnetischen Bauweise, dem Motor und des Plattentellers mit dem Ergebnis von unerwünschten Leistungseinschränkungen führen. Der Plattenspieler sollte IMMER vom Netz genommen werden, falls der Plattenteller aus jeglichem Grund entfernt wird.
- Unnötiges "Auswechseln" der Tonarme kann zu vorzeitiger Abnutzung der Bestandteile des Tonarms oder des Tonarms selbst führen. Wechseln Sie die Arme nur bei Notwendigkeit aus.
- Wird der Plattenspieler ausgeschaltet, während der Ausgang auf LINE-Pegel gesetzt oder während der SPDIF-Ausgang noch in Gebrauch ist, führt dies zu einer Abwesenheit des Audiosignals. Denken Sie während der Verwendung daran – falls der "Motor Aus"-Effekt ein gewünschter Effekt ist, wird empfohlen, die ANHALTESTEUERUNG für den MOTOR entsprechend einzustellen.
- Versuchen Sie nicht, jegliche Tonarmbestandteile einzurichten oder fester anzuziehen. Unerwünschte Leistungseinschränkungen können das Ergebnis eines nicht vorschriftsmäßig eingestellten Tonarms oder eines abgenutzten Tonabnehmergehäuses sein.
- Tauschen Sie den Tonarm nie aus, während das Gerät eingeschaltet ist.
- Von jeglichen Versuchen, Ihren Plattenspieler über das Auswechseln des Tonarms hinaus "individuell anzupassen" wird abgeraten, da diese zu BLEIBENDEN SCHÄDEN des Plattenspielers und/oder einer ERLOSCHENEN GARANTIE führen können.

Spezifikationen des TTXUSB

Plattenspieler:

Motor:	Direct Drive – 16-polig, 3 Phasen
Anlaufzeit:	0-33,33 RPM in 0,2 Sekunden
Bremssystem:	9-stufige elektronische Servobremse
Plattenteller:	Abgefedert, Design in Aluminium-Druckguss, niedrige Reibung.
Geschwindigkeiten:	33,33, 45 und 78 RPM
Wow & Flutter: (Schwingungen)	<0.15% WRMS (JIS C5521) Durch interne Quarzuhr digital gesteuert.
Tonhöhenbereich:	±8%, ±10%, ±20% und ±50%
Rumpelfaktor:	-58dB (IEC 98A ungewichtet) -79dB (IEC 98A gewichtet)
Drehmoment:	H : 4,7 kgfcm konstantes Drehmoment: 3,7kgfcm momentanes Drehmoment: 4,7 kgfcm M : 3,7 kgfcm konstantes Drehmoment: 2,7kgfcm momentanes Drehmoment: 3,7 kgfcm L : 2,5 kgfcm konstantes Drehmoment: 1,1kgfcm momentanes Drehmoment: 2,5 kgfcm

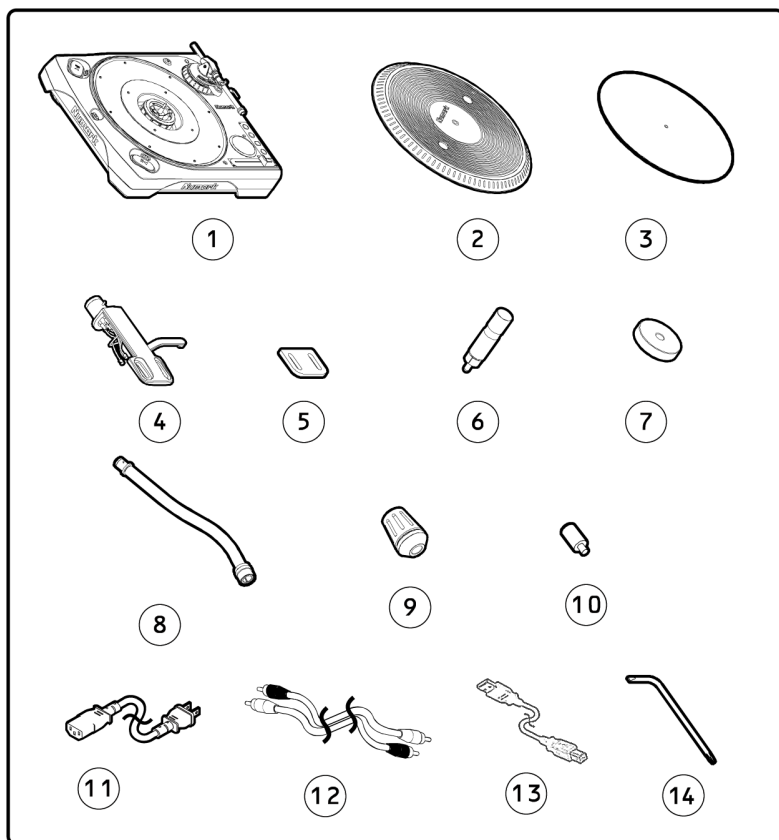
Tonarm:

Typ:	Auswechselbarer Arm mit Schließmanschette als Basis. Aluminium-Druckguss dreifach gelagerte Konstruktion
Höhenbereich:	0,0 – 6,0 mm.
Cue-System:	Abgefederte Hebevorrichtung, Tonarmauflage und Arm-Clip
Ausgleichsgewicht:	7,0 Gramm S-förmiges Gewicht 75 Gramm mit Aluminium überzogen w/ 0,0 – 3,5 Gramm Skalenbereich
Allgemein:	
Abmessungen:	370mm(W) x 460mm(T) x 135mm(H)
Gewicht:	12.6kg (27,7 lbs)
Stromverbrauch:	65 Watt
USB audio interface:	USB 1.1 kompatibel

Numark® TTX^{USB}

PREMIUM USB TURNTABLE WITH ADJUSTABLE TORQUE

Manuale rapido di utilizzazione

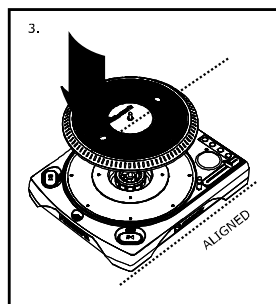
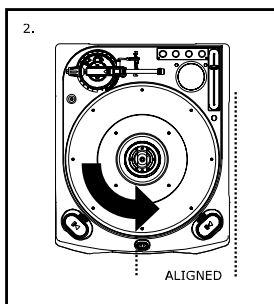
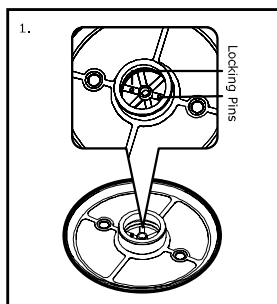


CONTENUTI DELLA CONFEZIONE

- | | |
|---|---|
| 1. TTXUSB con braccio dritto | 8. Braccio a S |
| 2. Piatto in alluminio Anti-trascinamento | 9. Contrappeso |
| 3. Base | 10. Contrappeso aggiuntivo per il braccio a S |
| 4. Fonorivelatore | 11. Cavo di alimentazione IEC |
| 5. Peso da 2.5g per il fonorivelatore | 12. Cavo RCA |
| 6. Luce bersaglio | 13. Cavo USB |
| 7. Adattatore 45 giri | 14. Attrezzo per la manutenzione |

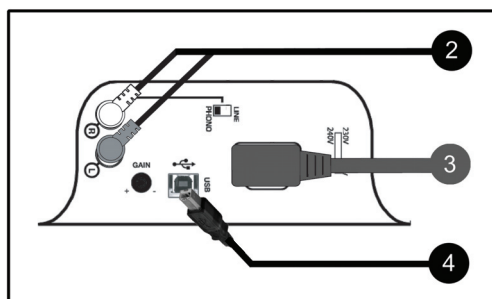
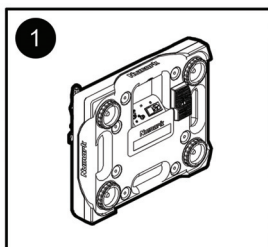
Istruzioni rapide di montaggio

LEGGERE ATTENTAMENTE IL LIBRETTO DELLE ISTRUZIONI DI SICUREZZA PRIMA DI SERVIRSI DI QUESTO PRODOTTO



1. Notare i perni di bloccaggio illustrati. ASSICURARSI CHE IL GIRADISCHI NON SIA COLLEGATO.
2. Abbinare il motore interno alla Figura 2.
3. Posizionare il piatto badando di allineare i fori alla base come illustrato

Collegamenti



1. Rovesciare il giradischi come illustrato.
2. Collegare il cavo audio R-RCA (rosso) proveniente dal mixer o dall'amplificatore. Collegare il cavo audio L-RCA (bianco) proveniente dal mixer o dall'amplificatore.
3. Collegare unicamente il cavo di alimentazione e assicurarsi che l'interruttore di impostazione dell'alimentazione sia sulla posizione giusta per la vostra regione.
4. Servirsi del cavo USB in dotazione per collegare il giradischi al computer.

Nota: assicurarsi di non pinzare i cavi sotto la base.

Caratteristiche pannello inferiore

1. Piedini in gomma regolabili:

Quando tutti i piedini del giradischi sono stati serrati, la superficie superiore piatta del giradischi si troverà a 85mm. Svitando i piedini è possibile alzare il giradischi per compensare eventuali superfici irregolari.

2. Manici per il trasporto:

Questi manici garantiscono una presa sicura, affinché il giradischi possa essere trasportato comodamente.

3. Commutatore di voltaggio:

Questo commutatore fa passare il trasformatore del voltaggio interno da 115V, 230V a 240V. Il giradischi dovrebbe essere fornito con l'impostazione del voltaggio adeguata alla vostra regione. Verificare che sia così prima di collegare il cavo di alimentazione per evitare danni al giradischi.

4. Terminale di alimentazione IEC:

Questo terminale di alimentazione IEC può essere usato con qualsiasi cavo di alimentazione IEC, ma si raccomanda di utilizzare il cavo di alimentazione IEC in dotazione. Assicurarsi che qualsiasi cavo di alimentazione IEC collegato abbia il proprio spazio sotto l'apparecchio in modo tale che il cavo non venga pinzato e che il jack di alimentazione non venga rotto.

5. Uscita RCA:

Questi jack di uscita stereo consentono di collegare il giradischi a un dispositivo compatibile dotato di ingressi PHONO o a livello di LINEA.

6. Commutatore Phono/Linea

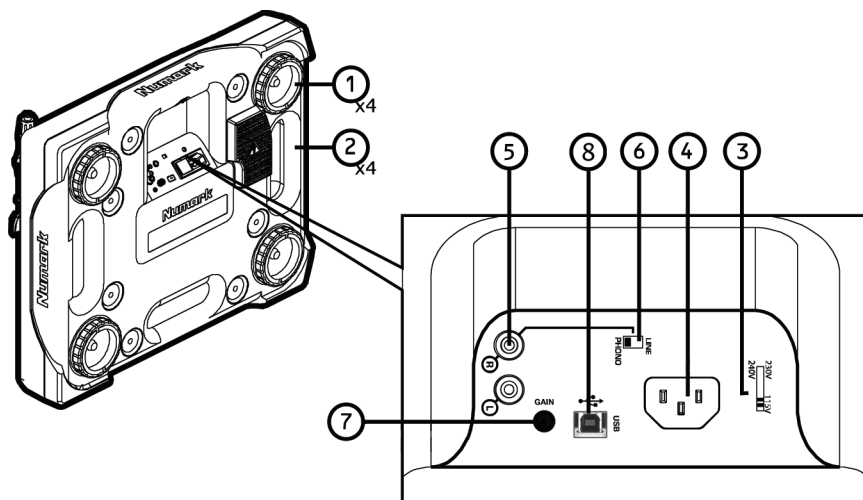
Questo interruttore deve essere impostato al giusto livello a seconda del tipo di ingresso a cui è connesso il giradischi. PHONO viene utilizzato con ingressi tradizionali da giradischi su ricevitori più vecchi o laddove è indicato PHONO. Il livello di LINEA (line) permette al TTXUSB di collegarsi direttamente a ingressi elettronici moderni quali computer, home stereo e mixer.

7. Manopola GAIN:

Regola il livello dell'audio di canale pre-fader e pre-EQ.

8. Uscita Audio USB:

Servirsi del cavo USB in dotazione per collegare il giradischi al computer. Fare riferimento al manuale d'istruzioni del software prima di procedere al collegamento del giradischi.



Gruppo del braccio

1. Contrappeso/Anello e Peso a S:

Il contrappeso serve a bilanciare il fonorivelatore e il gruppo della cartuccia, in modo tale che la giusta quantità di pressione della puntina sia applicata al disco. Il peso a S va usato nella maggior parte dei casi quando ci si serve del braccio a S. Non è necessario per un braccio dritto e può essere riposto sotto al contrappeso nell'alloggiamento superiore quando non è in uso.

2. Anello di regolazione dell'altezza:

girando questo anello in senso antiorario il braccio si solleva di fino a 6mm per adattarsi ai diversi spessori del tappetino. L'anello non può essere regolato se prima non viene sbloccata la leva di bloccaggio dell'altezza (3).

3. Leva di bloccaggio dell'altezza:

girando questa leva in direzione della freccia (in senso orario) si sblocca l'anello di regolazione dell'altezza (2) in modo tale da consentire la regolazione dell'altezza del braccio.

4. Regolazione anti-Skate:

questa manopola serve a compensare le forze centripete. Vedi l'impostazione del braccio per maggiori dettagli riguardo alla sua regolazione.

5. Dado di bloccaggio del tubo secondario:

questo dado serve a fissare i tubi del braccio (dritto o a s) al gruppo del braccio.

6. Fermabraccio:

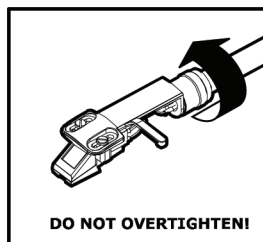
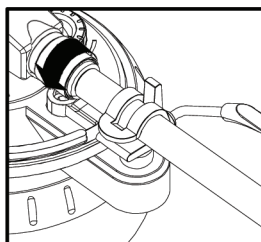
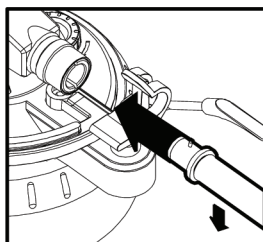
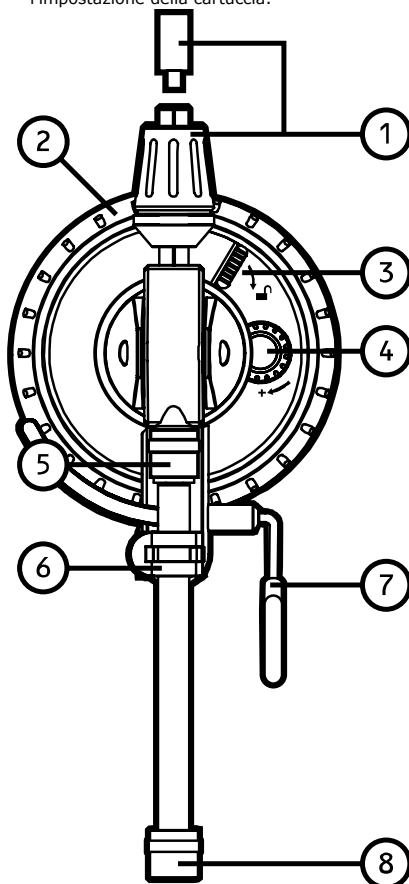
questo fermabraccio speciale fissa il braccio durante il trasporto o quando non è in uso.

7. Sistema di cueing del braccio:

questa funzione permette di posizionare il braccio ad un certo punto al di sopra del disco e di ingaggiarlo lentamente. Quando l'alzabraccio è sollevato il braccio deve essere appoggiato al portabraccio. Quando l'alzabraccio è abbassato, il braccio viene lentamente abbassato fino ad appoggiare la puntina sul disco.

8. Dado di bloccaggio del braccio:

questo dado in alluminio serve per fissare il gruppo del fonorivelatore e della cartuccia al braccio. Per maggiori dettagli, vedi l'impostazione della cartuccia.

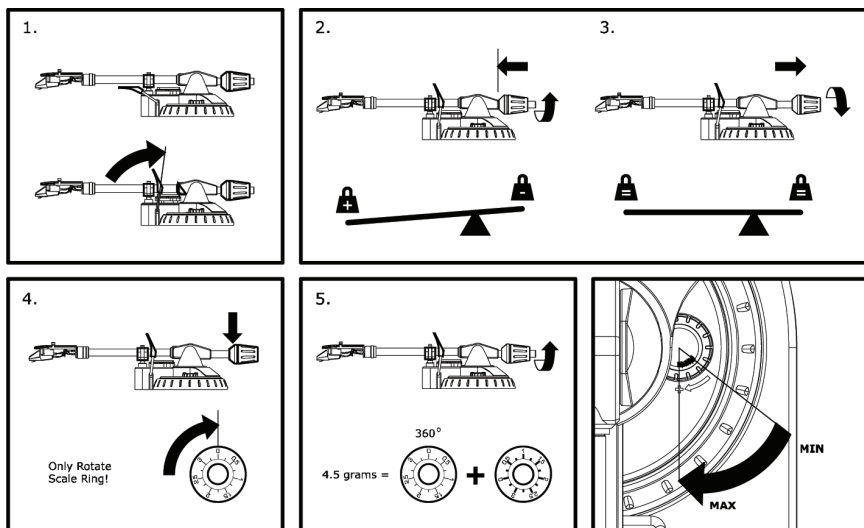


DO NOT OVERTIGHTEN!

AVVERTENZA: NON SERRARE ECCESSIVAMENTE IL DADO DI BLOCCAGGIO! (5 & 8)

IL COLLEGAMENTO DI UN BRACCIO CHE NON SIA NUMARK A QUESTO DADO PUÒ DANNEGGIARE L'ALTEZZA DEI PERNI INTERNI DEI CONTATTI!

Impostazione del braccio



1. Installare la cartuccia e sollevare l'alzabraccio per proteggere la cartuccia/puntina.
2. Notare come può essere mosso il contrappeso.
3. Con la leva di sollevamento del sistema di cueing, regolare il peso in modo tale che l'intero gruppo del braccio sia equilibrato liberamente.
4. Azzerare la scala sul peso spostando l'anello nero fino ad allineare "0" con lo slot. Il gruppo del braccio deve essere ancora bilanciato come illustrato in Figura 2.
5. Girare il contrappeso fino a raggiungere il peso desiderato in grammi. (La maggior parte delle gamme delle cartucce per DJ hanno specifiche che vanno da 2.0g a 4.0g. Controllare il manuale della cartuccia per maggiori dettagli).

Impostare la regolazione Anti-Skate

Il comando Anti-Skate è la manopola illustrata nell'ultima figura.

Nella maggior parte dei casi, l'Anti-Skate dovrebbe essere impostato al minimo. L'Anti-Skate compensa le forze centrifughe che si verificano con determinate cartucce quando la puntina si avvicina al centro del disco. Se il giradischi subisce uno skipping eccessivo durante il back-cue e lo scratch al momento dell'avvicinamento all'asse centrale, provare ad aumentare l'anti-skate con gli incrementi indicati sul quadrante. Iniziare aggiungendo piccoli incrementi; testare la resa, quindi aumentare ulteriormente di quanto necessario.

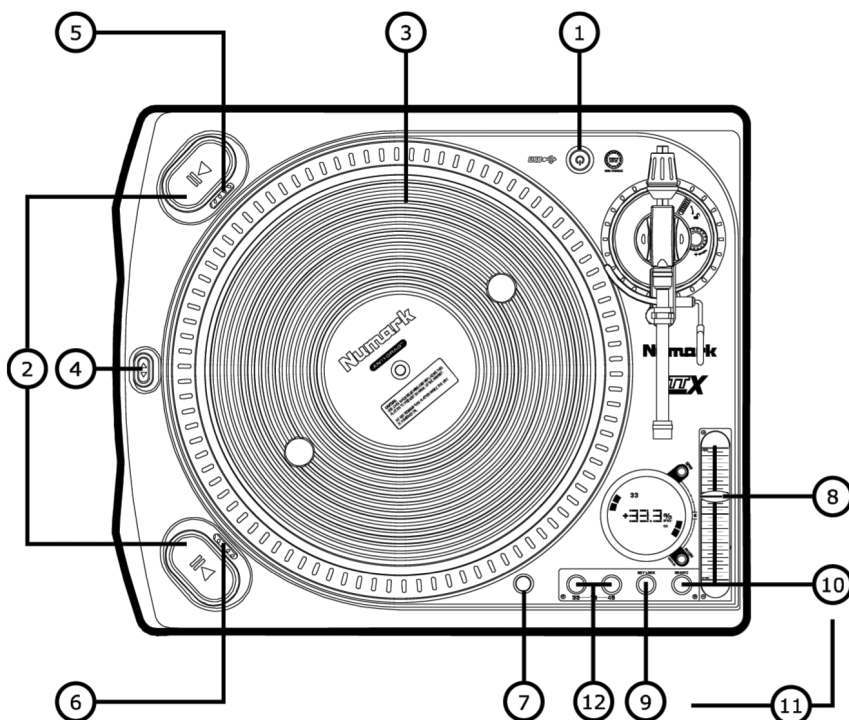
Il comando Anti-Skate viene principalmente usato per registrazioni di alta qualità in abbinamento al sistema di cueing del braccio.

NOTE D'USO

Questo giradischi è stato progettato per accomodare una varietà di diversi stili di missaggio. Ecco alcune linee guida generali d'uso per ottimizzare le prestazioni del giradischi.

- Durante la riproduzione registrata servirsi del **tappetino (slip mat)** in dotazione. Questo Slip Mat è stato progettato per ridurre la frizione tra il piatto e il disco per consentire un back cue rapido ed uno scratch efficace.
- Non posizionare il giradischi su di un altoparlante o di un subwoofer o nelle immediate vicinanze. Questo può causare rumore indesiderato a seconda delle condizioni ambientali.
- Quando non in uso, fissare sempre il braccio servendosi del fermabraccio. Questo può evitare danni alla puntina ed un impiego accidentale del braccio.
- Per ridurre lo skipping dell'ago, seguire le linee guida che si trovano nella sezione Impostazione del braccio di questo manuale. Un eccessivo peso su una cartuccia può causare uno skipping erratico o danni alla puntina.

Comandi Generali

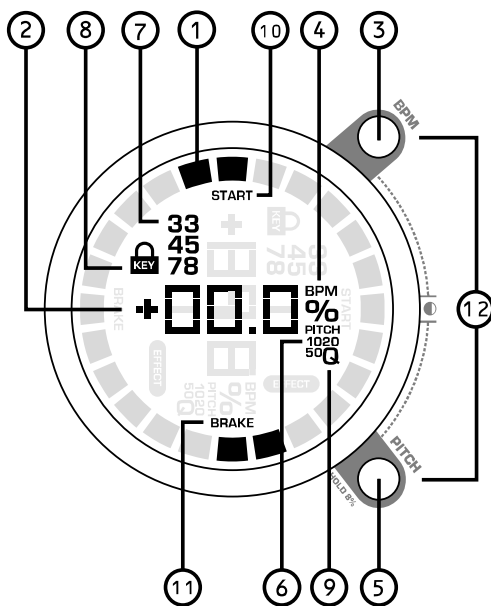


1. **Tasto di alimentazione:** accende il giradischi. Quando il giradischi è acceso, si illumina di blu.
2. **Tasti Start/Stop:** avvia e ferma il motore del giradischi. Entrambi i tasti hanno la stessa funzione.
3. **Piatto:** questo giradischi è dotato di uno speciale design dei bordi ottimizzato per i rallentamenti del piatto "trascinato". Il pattern apparirà fermo quando la gamma del Pitch è impostata a 0% e viene usata la luce bersaglio.
4. **Commutatore Forward/Reverse:** fa passare la direzione del motore tra avanti e indietro.
5. **Regolatore tempo di avvio:** ruotare per aumentare o diminuire il tempo di avviamento del piatto.
6. **Regolatore del tempo di frenata:** ruotare per aumentare o diminuire il tempo di interruzione del piatto.
7. **Luce bersaglio stroboscopica e jack di alimentazione:** questa luce d'alluminio può essere ruotata a seconda della posizione del fonorivelatore e della quantità di luce necessaria sulla superficie del disco in vinile. La luce illumina il bordo del piatto facendo sì che il pattern appaia fermo quando la gamma del pitch è a 0%.
8. **Fader del pitch:** questo comando a cursore consente di modificare il pitch della riproduzione. In posizione centrale il pitch è impostato allo 0%
9. **Blocco tasti:** questo tasto blocca il tasto della musica sulla posizione relativa del fader del pitch. Questo effetto di processo è disponibile unicamente quando ci si serve dell'uscita di LINEA.
10. **Tasto quartz:** questo tasto blocca il pitch allo 0% (indipendentemente dalla posizione del fader del pitch) servendosi del comando Quartz Motor Control.
11. **Regolazione coppia:** premere leggermente i tasti 9 e 10 simultaneamente per regolare l'impostazione di coppia del piatto. Ci sono tre impostazioni della coppia. "L" è bassa, "M" è media, ed "H" è alta.
12. **Tasti 33 e 45 giri:** questi tasti controllano i giri del piatto del giradischi. Se i tasti da 33 e da 45 giri vengono premuti contemporaneamente, verrà attivata la modalità a 78 giri.

Comandi del display

Il display del TTXUSB è stato sviluppato per provvedere istantaneamente informazioni utili indipendentemente dall'orientamento del giradischi. La comprensione delle funzioni aiuterà a migliorare le vostre capacità.

- Sensori di direzione del piatto:** sia che il piatto stia girando o che sia fermo, questi segmenti indicano la direzione della rotazione. Si muovono a coppie sui lati opposti del display.
NOTA: se il piatto viene rimosso a giradischi acceso, l'intero anello di segmenti lampeggerà a indicare che i magneti del drive sono stati separati e che il motore si trova in MODALITÀ di PROTEZIONE. Si raccomanda di spegnere il giradischi dopo che è entrato in MODALITÀ di PROTEZIONE prima di riposizionare il piatto.
- Segmenti indicatori multi-funzione:** a seconda della modalità del display, questi indicatori possono fornire pitch, numero di giri o impostazioni del motore. Vedi le funzioni indipendenti di PITCH, GIRI e COMANDI MOTORE per ulteriori informazioni.
- Tasto BPM:** la pressione di questo tasto farà passare la sezione centrale del display tra l'impostazione corrente del pitch e la lettura di una stima dei battiti al minuto (BPM). Se questo tasto viene premuto mantenendo la pressione per 2 secondi, il contatore di BPM rifarà la stima dei BPM. Se il display indica "---" significa che TTXUSB calcola la gamma del BPM OPPURE è incapace a distinguere una stima. Se la stima del BPM è "---" lampeggiante, ciò indica che non vi è audio in corso.
- Indicatori pitch vs BPM:** la parola PITCH ed il simbolo di PERCENTUALE sono entrambi attivi quando il display indica l'impostazione del pitch. L'indicatore del BPM è attivo unicamente quando il display è impostato in modo da fornire la stima della BPM.
- Tasto gamma del pitch:** questo tasto fa passare la gamma del pitch da 10, 20 e 50% quando premuto in successione. Se questo tasto viene premuto mantenendo la pressione per 2 secondi, la gamma del pitch verrà impostata all'8% fino a quando il tasto non venga premuto nuovamente. Se questo tasto viene premuto contemporaneamente al tasto BPM (3), il contrasto del display verrà ridotto fino a quando i tasti non vengano rilasciati.
- Indicatori gamma del pitch:** questi indicatori saranno attivi a seconda della gamma del pitch (8, 10, 20, 50%). Quando la gamma del pitch è impostata all'8%, nessuno di questi indicatori è attivo.
- Impostazioni giri (RPM):** i segmenti 33, 45 or 78 saranno attivi per la rispettiva modalità di giri RPM del motore.
- Indicatore blocco tasti:** questo simbolo indica che i processori di segnale digitale stanno correggendo il TASTO della sorgente di riproduzione.
NOTA: la funzione BLOCCO TASTI può essere utilizzato unicamente quando l'uscita è impostato su livello di LINEA.
- Indicazione Quartz Lock:** se la funzione QUARTZ LOCK (comandi generali) è impostata, questo segmento diventa attivo e a display lampeggerà "- Q -" se il FADER del PITCH è regolato finché la funzione QUARTZ LOCK è disattivata.
- Indicatore tempo di avvio:** se questo indicatore è attivo quando il motore viene avviato significa che il tempo di avviamento è stato regolato servendosi del regolatore del tempo di avviamento (comandi generali)
- Indicatore tempo di frenata:** se questo indicatore è attivo quando il motore viene fermato, significa che il tempo di frenata è stato regolato servendosi del regolatore del tempo di frenata (comandi generali)
- Contrasto:** premere (3) e (5) simultaneamente per passare da un livello di contrasto all'altro sul display.



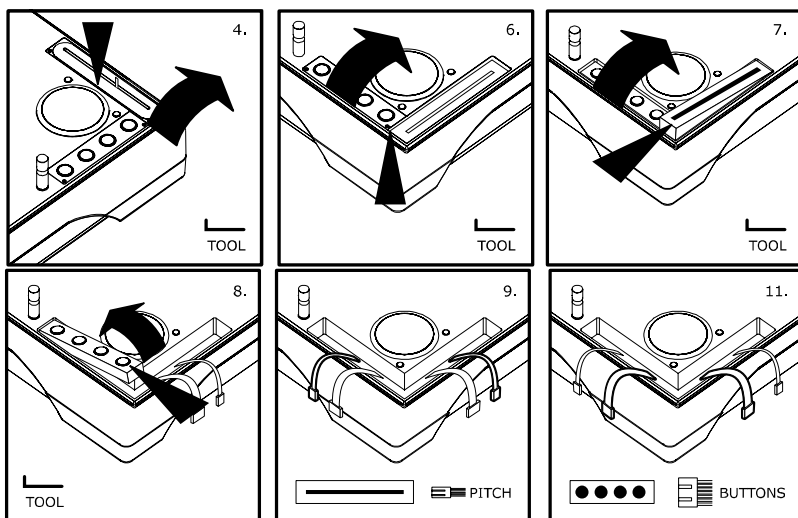
Sostituire il fader del pitch e le cartucce dei tasti

Il design unico del TTXUSB consente la sostituzione della configurazione del FADER del PITCH e dei COMANDI DEI TASTI in base all'orientamento del giradischi. In caso di danno o di eccessiva usura questi componenti devono essere sostituiti unicamente con PARTI COMPATIBILI NUMARK. Per ulteriori informazioni contattare il più vicino RIVENDITORE NUMARK

1. Spegnerne il giradischi o scollegarlo dall'alimentazione.
2. Rimuovere la MANOPOLA DEL FADER DEL PITCH e riportarla in un posto sicuro.
3. Servirsi dell'ATTREZZO per la MANUTENZIONE per rimuovere le due viti che fissano il PIATTO DELLA CARTUCCIA DEL FADER DEL PITCH. Una volta rimosse, riporre le viti in un posto sicuro.
4. Servirsi del lato piatto dell'ATTREZZO per sollevare il PIATTO DELLA CARTUCCIA DEL FADER DEL PITCH inserendolo nella fessura al centro del piatto e facendo leva verso l'alto.
5. Servirsi dell'ATTREZZO incluso per rimuovere le due viti che fissano il PIATTO DELLA CARTUCCIA DEL TASTO. Una volta rimosse, riporre le viti in un posto sicuro.
6. Servirsi del lato piatto dell'ATTREZZO per sollevare il PIATTO DELLA CARTUCCIA DEL TASTO inserendolo nella fessura al centro del piatto e facendo leva verso l'alto (vedi figura).
7. Le cartucce possono ora essere rimosse in maniera sicura. Iniziare l'operazione servendosi del lato piatto dell'ATTREZZO per estrarre la CARTUCCIA DEL FADER DEL PITCH dal giradischi (vedi figura). Una volta

rimossa, staccare la clip di cablaggio dalla parte inferiore della cartuccia.

8. Rimuovere la cartuccia del tasto servendosi dell'ATTREZZO per estrarla dal giradischi. Una volta rimossa, staccare la clip di cablaggio dalla parte inferiore della cartuccia (vedi figura).
9. Le cartucce possono ora essere sostituite. Trovare il CLIP di CABLAGGIO per la CARTUCCIA DEL FADER DEL PITCH e collegarlo alla parte inferiore della cartuccia (vedi figura).
10. Reinscrivere la CARTUCCIA DEL FADER del PITCH nel vano desiderato del giradischi. Prestare la massima attenzione a NON pinzare la cinghia non utilizzata al di sotto della cartuccia. Se inserita correttamente, la cartuccia si inserirà saldamente nell'alloggiamento.
11. Trovare il CLIP di CABLAGGIO per la CARTUCCIA DEL TASTO e collegarlo alla parte inferiore della cartuccia (vedi figura).
12. Reinscrivere la CARTUCCIA DEL TASTO nel vano desiderato del giradischi. Prestare la massima attenzione a NON pinzare la cinghia non utilizzata al di sotto della cartuccia. Se inserita correttamente, la cartuccia si inserirà saldamente nell'alloggiamento.
13. Fissare nuovamente il PIATTO DELLA CARTUCCIA DEL TASTO e il PIATTO DELLA CARTUCCIA DEL FADER inserendo per primi i lati muniti di linguetta nel giradischi.
14. Servirsi dell'ATTREZZO in dotazione per serrare le quattro viti che fissano i piatti al corpo del giradischi. Non serrare eccessivamente le viti.
15. Installare nuovamente la manopola del FADER del PITCH e accendere il giradischi.



ALTRE NOTE IMPORTANTI

Leggere queste note di precauzione per garantire una completa comprensione e la durata di questo giradischi da DJ.

- Rimuovere il piatto senza motivo può causare danni alla struttura di montaggio del magnete, e il motore o il piatto potrebbero avere prestazioni indesiderate. Il giradischi deve SEMPRE essere spento prima di rimuovere il piatto per qualsiasi ragione.
- Uno "scambio" non necessario del braccio può causare un'usura prematura dei componenti del gruppo del braccio o del braccio stesso. Scambiare i tubi del braccio unicamente in caso di necessità.
- Se il giradischi viene spento quando l'uscita è impostata sul livello di LINEA o quando l'uscita SPDIF è in uso vi sarà una mancanza di audio. Tenere a mente questo quando in uso – se l'effetto desiderato è quello di "motore off", si raccomanda di regolare il CONTROLLO FRENATA MOTORE.
- Non cercare di regolare o di serrare i componenti del braccio. Prestazioni indesiderate possono risultare da un braccio regolato impropriamente o da una cartuccia usurata.
- Mai scambiare i tubi del braccio quando il giradischi è acceso.
- Qualsiasi tentativo di "personalizzare" il giradischi al di là della sostituzione dei tubi del braccio non è consigliata e può portare DANNI PERMANENTI al giradischi e/o una NULLITÀ della GARANZIA.

Specifiche tecniche TTXUSB

Sezione giradischi:

Motore:	Trazione diretta – 16 Poli, 3 fasi
Tempo di avviamento:	0-33.33 giri (RPM) in 0.2 secondi
Sistema di frenata:	Servo freno elettronico a 9 fasi
Piatto:	Dampened Aluminum Die-cast Low Friction Design.
Velocità:	33.33, 45, and 78 RPM
Wow & Flutter:	<0.15% WRMS (JIS C5521) Controllato digitalmente dall'orologio al quarzo interno.
Gamma del pitch:	±8%, ±10%, ±20%, e ±50%
Tremolio:	-58dB (IEC 98A non pesato) -79dB (IEC 98A pesato)
Coppia:	H : 4.7 kgfcm Coppia costante: 3.7kgfcm Coppia istantanea: 4.7 kgfcm M : 3.7 kgfcm Coppia costante: 2.7kgfcm Coppia istantanea: 3.7 kgfcm L : 2.5 kgfcm Coppia costante: 1.1kgfcm Coppia istantanea: 2.5 kgfcm

Sezione braccio:

Tipo:	Sistema di tubo intercambiabile basato sul dado di bloccaggio. Alluminio die-cast Costruzione cuscinetto 3
Gamma altezza:	0.0 – 6.0 mm.
Sistema di cue:	Leva di sollevamento abbassata, Reggibraccio e fermabraccio
Peso equilibrato:	7.0 grammi peso a S 75 grammi rivestito di alluminio gamma w/ 0.0 – 3.5 grammi

Generale:

Dimensioni:	370mm(W) per 460mm(D) per 135mm(H)
Peso:	12.6kg (27.7 lbs)
Consumo:	65 Watt
Interfaccia audio USB:	Compatible con USB1.1

MANUAL VERSION 2.2