

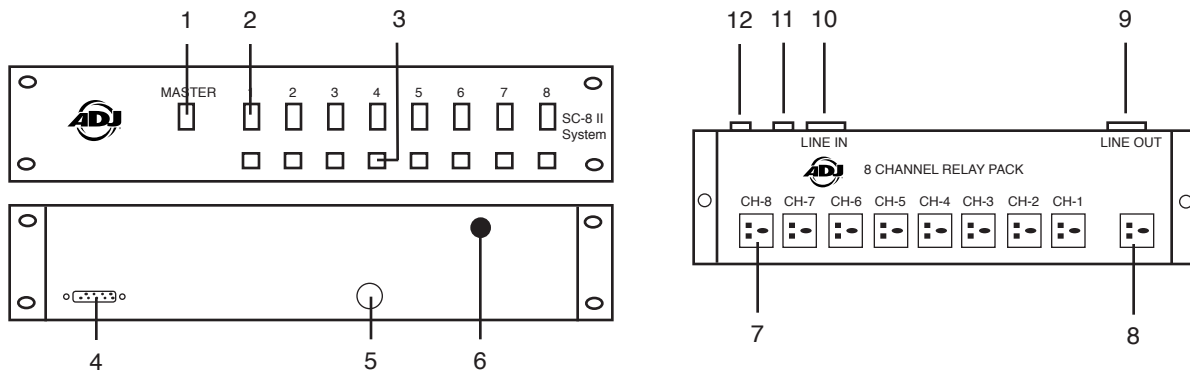
USER INSTRUCTIONS

SC-8 II SYSTEM - 8 CHANNEL LOW VOLTAGE SWITCH SYSTEM

MAIN FEATURES:

- INDIVIDUAL CHANNEL SWITCHES & FLASH ON BUTTONS. MASTER ON/OFF.
- LIGHTED SWITCHES
- 19" RACK MOUNT SWITCH CENTER WITH BUILT-IN POWER SUPPLY.
- 15 AMPS TOTAL POWER CAPACITY (PER RELAY PACK).
- SYSTEM INCLUDES: 1 - SC-8 II, 1 - SC-8 RELAY PACK, 1 - SC-EX25
- MAY LINK UP TO 2 RP-8 RELAY PACKS ON 1 SC-8FC.
- INCLUDES REMOTE OPERATION FOR CC-2016 (CC-2016 CHASE CONTROLLER SOLD SEPARATELY).
- 12V SIGNAL OUTPUT FROM SWITCH CENTER.

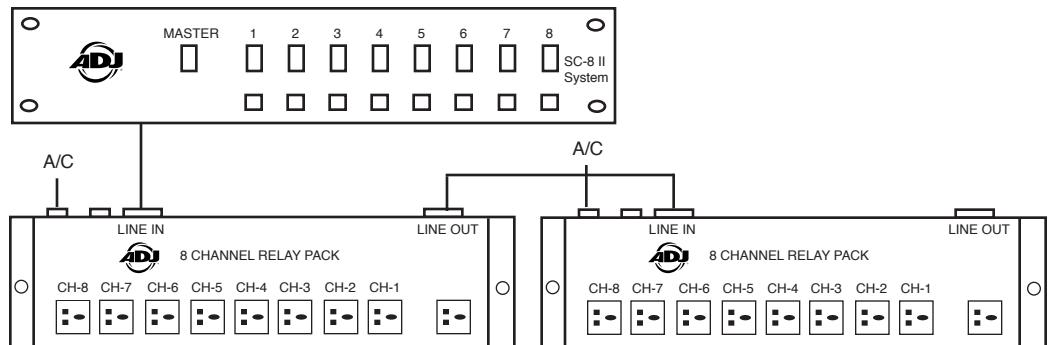
Important Notice: Never attempt to run more than 2 power packs per a controller - More than 2 power packs can cause damage to the controller and power packs!



CONTROLS AND COMPONENTS:

1. MASTER ON/OFF SWITCH.
2. INDIVIDUAL CHANNEL SWITCHES.
3. FLASH ON BUTTON FOR EACH INDIVIDUAL CHANNEL.
4. 9 PIN LINE OUT CONNECTOR.
5. 12V POWER SUPPLY
6. FUSE
7. CHANNEL 1-8 110V SWITCHED SOCKETS.
8. UNSWITCHED 110V SOCKET FOR CONSTANT ON ITEM OR LINKING AC TO ANOTHER RELAY PACK.
9. 9 PIN LINE OUTPUT FOR LINKING PACKS.
10. 9 PIN LINE INPUT FROM SC-8FC OR FROM ANOTHER SC- RP8.
11. 15 AMP CIRCUIT BREAKER.
12. A/C CORD AND PLUG.

SAMPLE SYSTEM:



Specifications:

Model - SC-8 II SYSTEM

Maximum load: 15 amps or 1800 watts per relay pack (using separate circuit for each).

Size: SC-8 II - 19" x 2" x 2"

SC-8 Relay Pack - 19" x 5" x 2"

System weight: 13lbs.