

DESCRIPTION

The Shure PG57 is a unidirectional (cardioid) dynamic instrument microphone that is versatile enough for use with amplified or acoustic instruments.

SPECIFICATIONS

Microphone Type

Dynamic (moving coil)

Polar Pattern

Cardioid (unidirectional)

Frequency Response

50 to 15,000 Hz

Polarity

Positive pressure on diaphragm produces positive voltage on pin 2 relative to pin 3 of microphone output connector

Output Impedance (at 1000 Hz)

200 Ω

Sensitivity (at 1000 Hz)

-56 dBV/Pa, (1.6 mV), 1 Pascal=94 dB SPL

Electromagnetic Hum Sensitivity

26 dB equivalent SPL in a 1 millioersted field (60 Hz)

Switch

Built-in On/Off switch

Connector

Three-pin professional audio connector (male XLR type)

Case

Die cast metal handle, black matte finish; hardened silver colored, tapered steel mesh grille

Environmental Conditions

This microphone operates over a temperature range of -29 to 57 degrees Celcius (-20 to 135 degrees Fahrenheit), and at a relative humidity of 0 to 95%.

Weight

Net - 324 g (11.5 oz)
Packaged - 908 g (2 lb)

CERTIFICATION

Eligible to bear CE Marking. Conforms to European EMC Directive 89/336/EEC. Meets applicable tests and performance criteria in European Standard EN55103 (1996) parts 1 and 2, for residential (E1) and light industrial (E2) environments.

FURNISHED ACCESSORIES

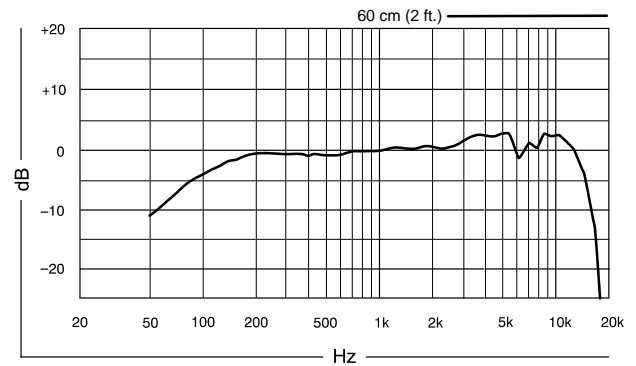
4.57 m (15ft.) Cable (XLR-XLR) 95C2153
Microphone Clip (standard 5/8 in.-27 thread) A25D
3/8" to 5/8" Thread Adapter 31A1856
Storage Bag 26D18

OPTIONAL ACCESSORIES

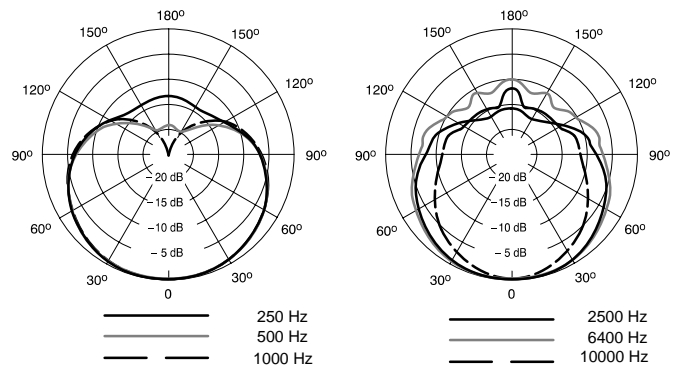
7.6 m (25 ft.) Cable (XLR-XLR) C25J
Windscreen A85WS
Drum Mount A50D
Isolation Mount A55M

REPLACEMENT PARTS

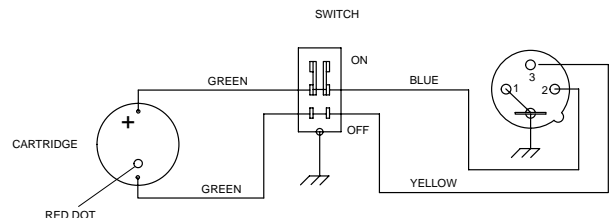
Cartridge Assembly RPM152
Screen and Grille Assembly 95A2208C
ID Ring 90C4766
On/Off Switch Assembly RPM644
Switch Glamour Cap 65A1973



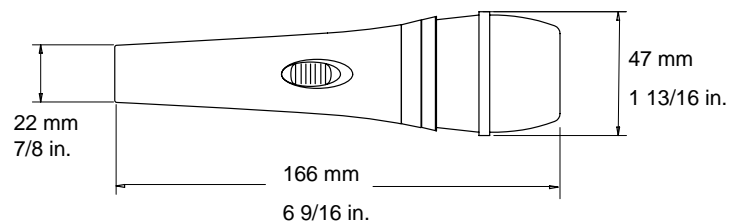
FREQUENCY RESPONSE



POLAR PATTERNS



INTERNAL CONNECTIONS



DIMENSIONS