

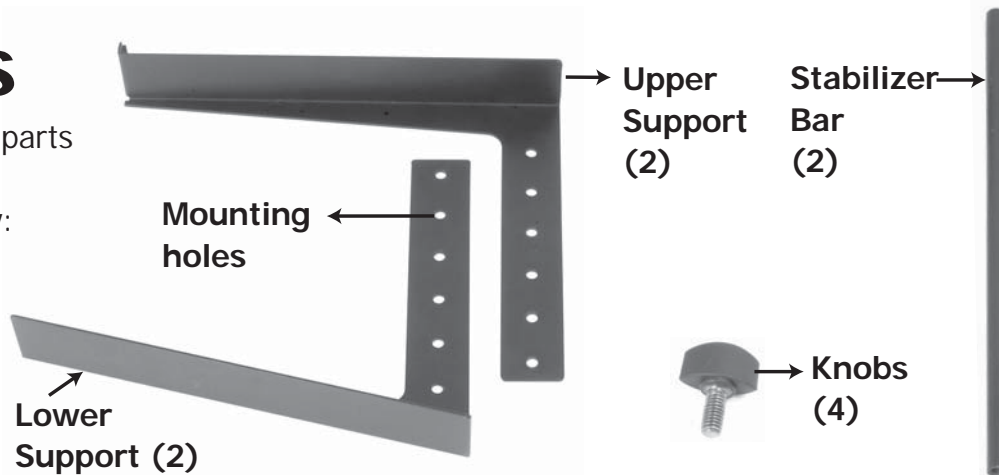
ASSEMBLY INSTRUCTIONS

Computer Laptop Stand

Congratulations on your purchase of the LPT5000 Computer Laptop Stand. Please read the following assembly instructions carefully. *We hope you enjoy your new purchase!*

Parts

Remove all parts from boxes and identify:



Assembly

1. Take one of the Upper Supports and place it over one of the Lower Supports (See Figure A). Align the Upper Support holes with the Lower Support mounting holes to obtain the desired height. Place one knob at a time through the mounting holes (must be spaced at least 2 holes apart). Take a Stabilizer Bar and screw the top knob into the end of the Stabilizer Bar. Repeat with bottom knob.

2. Repeat above with the other Upper Support and Lower Support for the opposite side of the stand (see Figure B). Secure all knobs tight to minimize stand wobble.

You are now ready to use your lap top stand.

