

MOTIF

DATA LIST DATEN-LISTE LISTE DE DONNÉES

MUSIC PRODUCTION SYNTHESIZER
Integrated Sampling Sequencer / Real-time External Control Surface / Studio Connections

MOTIF XS6
MOTIF XS7
MOTIF XS8



Table of Contents

Voice List	2
Drum Voice List	11
Drum Voice Name List	11
Drum Kit Assign List	12
Waveform List	29
Effect Type List	34
Effect Parameter List	35
Effect Data Assign Table	43
Control List	51
MIDI Data Format	52
MIDI Data Table	56
MIDI Implementation Chart	74

Voice List

PRE1 (MSB=63, LSB=0)

number	voice name	category 1		category 2		Element	
		Main	Sub	Main	Sub		
1	A01	Full Concert Grand	Piano	APno	NoAsg	NoAsg	2
2	A02	Rock Grand Piano	Piano	Modrn	NoAsg	NoAsg	2
3	A03	Mellow Grand Piano	Piano	APno	NoAsg	NoAsg	2
4	A04	Glasgow	Piano	APno	NoAsg	NoAsg	4
5	A05	Romantic Piano	Piano	APno	NoAsg	NoAsg	2
6	A06	Aggressive Grand	Piano	Modrn	NoAsg	NoAsg	3
7	A07	Tacky	Piano	Modrn	NoAsg	NoAsg	2
8	A08	House Piano	Piano	Modrn	NoAsg	NoAsg	3
9	A09	Old and Squashed	Piano	Vintg	NoAsg	NoAsg	1
10	A10	Ballad Key	Piano	Layer	Keys	EP	3
11	A11	80s Layer	Piano	Layer	Keys	EP	4
12	A12	Ballad Stack	Piano	Layer	Keys	EP	4
13	A13	Piano Back	Piano	Layer	NoAsg	NoAsg	4
14	A14	Piano & Strings	Piano	Layer	NoAsg	NoAsg	4
15	A15	Piano & Ooh Choir	Piano	Layer	NoAsg	NoAsg	4
16	A16	Monaural Grand MW	Piano	APno	NoAsg	NoAsg	1
17	B01	Old Blues	Piano	Vintg	NoAsg	NoAsg	2
18	B02	1968	Piano	Vintg	NoAsg	NoAsg	2
19	B03	CP 1979	Piano	Vintg	NoAsg	NoAsg	1
20	B04	CP70 Chorus	Piano	Vintg	NoAsg	NoAsg	1
21	B05	Journey	Piano	Vintg	NoAsg	NoAsg	1
22	B06	Vintage'74	Keys	EP	NoAsg	NoAsg	1
23	B07	R&B Soft	Keys	EP	NoAsg	NoAsg	1
24	B08	Early 70's	Keys	EP	NoAsg	NoAsg	2
25	B09	Soft Case	Keys	EP	NoAsg	NoAsg	1
26	B10	Crunchy Comp	Keys	EP	NoAsg	NoAsg	1
27	B11	Vintage Case	Keys	EP	NoAsg	NoAsg	1
28	B12	Hard Vintage	Keys	EP	NoAsg	NoAsg	1
29	B13	Sweetness MW+AS2	Keys	EP	NoAsg	NoAsg	1
30	B14	Phaser Vintage	Keys	EP	NoAsg	NoAsg	1
31	B15	Vintage Phase	Keys	EP	NoAsg	NoAsg	1
32	B16	Early Fusion	Keys	EP	NoAsg	NoAsg	2
33	C01	Neo Soul MW+AS1	Keys	EP	NoAsg	NoAsg	1
34	C02	1983 MW+AS1	Keys	EP	NoAsg	NoAsg	2
35	C03	Contempo	Keys	EP	NoAsg	NoAsg	1
36	C04	Clicky Dyno MW+AS2	Keys	EP	NoAsg	NoAsg	1
37	C05	Dyno Straight MW+AS2	Keys	EP	NoAsg	NoAsg	2
38	C06	Dyno Chorus MW+AS2	Keys	EP	NoAsg	NoAsg	1
39	C07	80s Boosted	Keys	EP	NoAsg	NoAsg	2
40	C08	Chorus Hard	Keys	EP	NoAsg	NoAsg	1
41	C09	Max Tine	Keys	EP	NoAsg	NoAsg	3
42	C10	Bell Chorus	Keys	FM	NoAsg	NoAsg	2
43	C11	Drive EP AS1	Keys	EP	NoAsg	NoAsg	1
44	C12	Vinyl EP AS1	Keys	EP	S.EFX	SciFi	2
45	C13	Natural Wurli	Keys	EP	NoAsg	NoAsg	2
46	C14	Wurli EP Bright	Keys	EP	NoAsg	NoAsg	1
47	C15	Wurli Distortion AS1	Keys	EP	NoAsg	NoAsg	2
48	C16	Phaze Wurli	Keys	EP	NoAsg	NoAsg	1
49	D01	DX Legend	Keys	FM	NoAsg	NoAsg	2
50	D02	Bell DX	Keys	FM	NoAsg	NoAsg	3
51	D03	DX Woody	Keys	FM	NoAsg	NoAsg	2
52	D04	Full Tine	Keys	FM	NoAsg	NoAsg	2
53	D05	DX Mellow	Keys	FM	NoAsg	NoAsg	2
54	D06	DX Crisp	Keys	FM	NoAsg	NoAsg	2
55	D07	DX Celesta EP	Keys	FM	NoAsg	NoAsg	2
56	D08	DX Pluck EP	Keys	FM	NoAsg	NoAsg	2
57	D09	DX-7 II AS1	Keys	FM	NoAsg	NoAsg	3
58	D10	GS Tines AF1&2	Keys	FM	NoAsg	NoAsg	2
59	D11	Galaxy DX	Keys	FM	NoAsg	NoAsg	4
60	D12	TX816 Bell Piano	Keys	FM	CPerc	Bell	4
61	D13	Marimba DX	Keys	FM	CPerc	Malet	4
62	D14	DX5-Zero	Keys	FM	SyCmp	Digitl	4
63	D15	Hybrid EP	Keys	EP	NoAsg	NoAsg	3
64	D16	Mixed Up	Keys	EP	NoAsg	NoAsg	3

number	voice name	category 1		category 2		Element	
		Main	Sub	Main	Sub		
65	E01	Dyno Wurli	Keys	EP	NoAsg	NoAsg	2
66	E02	Analog Piano	Keys	Synth	NoAsg	NoAsg	2
67	E03	AhrAml	Keys	Synth	NoAsg	NoAsg	2
68	E04	Electro Piano	Keys	EP	SyCmp	Analg	2
69	E05	Transistor Piano	Keys	Synth	Piano	NoAsg	2
70	E06	EP Pad	Keys	EP	Pads	Warm	3
71	E07	DX Pad	Keys	EP	Pads	Warm	4
72	E08	Dyno Choir	Keys	EP	Pads	Choir	3
73	E09	Vintage Clavi	Keys	Clavi	NoAsg	NoAsg	2
74	E10	Super Clavi	Keys	Clavi	NoAsg	NoAsg	1
75	E11	Stereo Clavi	Keys	Clavi	NoAsg	NoAsg	2
76	E12	Hollow Clavi	Keys	Clavi	NoAsg	NoAsg	1
77	E13	Nu Phasing	Keys	Clavi	NoAsg	NoAsg	2
78	E14	Touch Clavi	Keys	Clavi	NoAsg	NoAsg	3
79	E15	Pedal Wah Clavi FC2	Keys	Clavi	NoAsg	NoAsg	3
80	E16	Guitar Clavi	Keys	Clavi	SyCmp	Analg	1
81	F01	Guitarpsichord	Keys	Clavi	NoAsg	NoAsg	3
82	F02	Hipsichord	Keys	Clavi	NoAsg	NoAsg	3
83	F03	16 + 8 + 5&1/3	Organ	TnWhl	NoAsg	NoAsg	4
84	F04	Jazz 2nd Perc + C3	Organ	TnWhl	NoAsg	NoAsg	5
85	F05	First 3 w/Perc	Organ	TnWhl	NoAsg	NoAsg	4
86	F06	Slow Jam	Organ	TnWhl	NoAsg	NoAsg	3
87	F07	Cool Cat	Organ	TnWhl	NoAsg	NoAsg	4
88	F08	Jazzy 1	Organ	TnWhl	NoAsg	NoAsg	4
89	F09	Jazzy 2	Organ	TnWhl	NoAsg	NoAsg	4
90	F10	Jazzy Chorus	Organ	TnWhl	NoAsg	NoAsg	4
91	F11	On Road AS1	Organ	TnWhl	NoAsg	NoAsg	4
92	F12	Progressy	Organ	TnWhl	NoAsg	NoAsg	4
93	F13	Rocky AS2	Organ	TnWhl	NoAsg	NoAsg	4
94	F14	Crunchy AS2	Organ	TnWhl	NoAsg	NoAsg	4
95	F15	1972 AS1	Organ	Combo	NoAsg	NoAsg	8
96	F16	Glassy AF1	Organ	TnWhl	NoAsg	NoAsg	4
97	G01	Clean	Organ	TnWhl	NoAsg	NoAsg	2
98	G02	All Bars Perc AF1&2	Organ	TnWhl	NoAsg	NoAsg	8
99	G03	Rotor Vibrato	Organ	TnWhl	NoAsg	NoAsg	8
100	G04	Vib Chorus AF1	Organ	TnWhl	NoAsg	NoAsg	1
101	G05	Soulemn	Organ	TnWhl	NoAsg	NoAsg	3
102	G06	Mellow AS2	Organ	TnWhl	NoAsg	NoAsg	2
103	G07	Fully	Organ	TnWhl	NoAsg	NoAsg	4
104	G08	FullDraw/CVibrato	Organ	TnWhl	NoAsg	NoAsg	2
105	G09	Even Out	Organ	TnWhl	NoAsg	NoAsg	4
106	G10	Harmonic Hole	Organ	TnWhl	NoAsg	NoAsg	5
107	G11	A Few Wheels	Organ	TnWhl	NoAsg	NoAsg	4
108	G12	Left Manual	Organ	TnWhl	NoAsg	NoAsg	4
109	G13	Draw Control	Organ	TnWhl	NoAsg	NoAsg	4
110	G14	Stop Rotar	Organ	TnWhl	NoAsg	NoAsg	5
111	G15	Clean Noise	Organ	TnWhl	NoAsg	NoAsg	3
112	G16	Walking Bass	Organ	TnWhl	NoAsg	NoAsg	3
113	H01	Greasy	Organ	TnWhl	NoAsg	NoAsg	4
114	H02	Swishie	Organ	TnWhl	NoAsg	NoAsg	3
115	H03	Solo Percussion AF2	Organ	TnWhl	NoAsg	NoAsg	2
116	H04	PercussionVibratoAF2	Organ	TnWhl	NoAsg	NoAsg	2
117	H05	Tiny Combo Bars 1	Organ	Combo	NoAsg	NoAsg	4
118	H06	Tiny Combo Bars 2	Organ	Combo	NoAsg	NoAsg	3
119	H07	Panther	Organ	Combo	NoAsg	NoAsg	3
120	H08	1967 Keys	Organ	Combo	Keys	EP	1
121	H09	YD-45C	Organ	Combo	NoAsg	NoAsg	3
122	H10	Diamond Head	Organ	Synth	SyCmp	Fade	2
123	H11	Early Bird	Organ	TnWhl	NoAsg	NoAsg	4
124	H12	Moet	Organ	Synth	SyCmp	Digitl	2
125	H13	Bollinger	Organ	Synth	SyCmp	Digitl	2
126	H14	Vinyl Organ	Organ	Synth	NoAsg	NoAsg	2
127	H15	Alternator	Organ	TnWhl	M.EFX	NoAsg	3
128	H16	Flying Rhythm Bars	Organ	Synth	M.EFX	Move	6

PRE2 (MSB=63, LSB=1)

number	voice name		category 1		category 2		Element
			Main	Sub	Main	Sub	
1	A01	Roundabout	Organ	Arp	M.EFX	Arp	1
2	A02	Tradi	Organ	TnWhl	NoAsg	NoAsg	4
3	A03	Petit	Organ	TnWhl	NoAsg	NoAsg	1
4	A04	Fluty	Organ	TnWhl	NoAsg	NoAsg	1
5	A05	Fluty Pipe	Organ	Pipe	NoAsg	NoAsg	3
6	A06	St. Peter	Organ	Pipe	NoAsg	NoAsg	1
7	A07	St. Paul AF1&2	Organ	Pipe	NoAsg	NoAsg	3
8	A08	Impromptu	Organ	Pipe	NoAsg	NoAsg	4
9	A09	Mixture	Organ	Pipe	NoAsg	NoAsg	3
10	A10	Reed Split	Organ	Pipe	NoAsg	NoAsg	4
11	A11	Medieval MW	Organ	Pipe	NoAsg	NoAsg	4
12	A12	Breath Pipe	Organ	Pipe	NoAsg	NoAsg	4
13	A13	Reedy Pipe	Organ	Pipe	NoAsg	NoAsg	4
14	A14	Sunday	Organ	Pipe	NoAsg	NoAsg	4
15	A15	Accordions AF1&2	Organ	Pipe	NoAsg	NoAsg	1
16	A16	Soft Marimba	CPerc	Malet	NoAsg	NoAsg	1
17	B01	Vibes Bow MW	CPerc	Malet	NoAsg	NoAsg	3
18	B02	Bell Ice	CPerc	Bell	NoAsg	NoAsg	4
19	B03	Stick Bell	CPerc	Bell	NoAsg	NoAsg	3
20	B04	Ice Bells	CPerc	Bell	NoAsg	NoAsg	4
21	B05	Bell Ice	CPerc	Bell	NoAsg	NoAsg	3
22	B06	Stack Bell	CPerc	SynBl	NoAsg	NoAsg	4
23	B07	J-Pop	CPerc	Bell	NoAsg	NoAsg	3
24	B08	Chorus Bell	CPerc	Bell	NoAsg	NoAsg	2
25	B09	Handbell	CPerc	Bell	NoAsg	NoAsg	2
26	B10	Bell Chiff	CPerc	SynBl	NoAsg	NoAsg	2
27	B11	Sako Bell	CPerc	SynBl	NoAsg	NoAsg	2
28	B12	Nice Bell	CPerc	SynBl	SyCmp	Digitl	4
29	B13	Noisy Bell	CPerc	SynBl	NoAsg	NoAsg	3
30	B14	Pop Bells & Pad MW	CPerc	Bell	Pads	Brite	4
31	B15	Going To Heaven	CPerc	Arp	NoAsg	NoAsg	3
32	B16	Digibox	CPerc	SynBl	SyCmp	Digitl	3
33	C01	Nibelungen	CPerc	Bell	M.EFX	NoAsg	2
34	C02	Wood Bell	CPerc	Bell	NoAsg	NoAsg	4
35	C03	Marimbell	CPerc	SynBl	NoAsg	NoAsg	4
36	C04	Synth Steel Drum	CPerc	PDrum	NoAsg	NoAsg	3
37	C05	Gamelan	CPerc	Bell	Ethnic	Struk	2
38	C06	Ethnic Dream	CPerc	Malet	M.EFX	NoAsg	2
39	C07	Mystic Bowl	CPerc	Bell	Ethnic	Struk	2
40	C08	Mbira	Ethnic	Pluk	NoAsg	NoAsg	4
41	C09	Glass Mbira	CPerc	PDrum	Ethnic	Pluk	4
42	C10	Island Bell	CPerc	SynBl	NoAsg	NoAsg	3
43	C11	Tibetan	CPerc	Bell	Ethnic	Struk	3
44	C12	Rimba Bells	CPerc	SynBl	NoAsg	NoAsg	3
45	C13	Lost in Asia	CPerc	Bell	NoAsg	NoAsg	4
46	C14	Coconuts Random	CPerc	Arp	M.EFX	NoAsg	1
47	C15	Kodo	CPerc	PDrum	NoAsg	NoAsg	1
48	C16	Timpani/Bell/Glocken	CPerc	Bell	CPerc	PDrum	2
49	D01	Orc Percussion	CPerc	Bell	Dr/Pc	Perc	4
50	D02	Classical AF1&2	Guitar	A.Gtr	NoAsg	NoAsg	2
51	D03	High Tension AF1&2	Guitar	A.Gtr	NoAsg	NoAsg	2
52	D04	Sao Paulo	Guitar	A.Gtr	NoAsg	NoAsg	2
53	D05	Barcelona	Guitar	A.Gtr	NoAsg	NoAsg	4
54	D06	Nylon Slide Vel	Guitar	A.Gtr	NoAsg	NoAsg	4
55	D07	Nylon Harmonics Vel	Guitar	A.Gtr	NoAsg	NoAsg	4
56	D08	Classical 12 Strings	Guitar	A.Gtr	NoAsg	NoAsg	4
57	D09	Hip-Hop Nylon Guitar	Guitar	A.Gtr	NoAsg	NoAsg	2
58	D10	Steel String AF1&2	Guitar	A.Gtr	NoAsg	NoAsg	2
59	D11	Old Strings AF1&2	Guitar	A.Gtr	NoAsg	NoAsg	2
60	D12	Steel Slide Vel	Guitar	A.Gtr	NoAsg	NoAsg	4
61	D13	Mute & Slide Vel	Guitar	A.Gtr	NoAsg	NoAsg	2
62	D14	Steel Harmonics Vel	Guitar	A.Gtr	NoAsg	NoAsg	4
63	D15	Hip-Hop Steel Guitar	Guitar	A.Gtr	NoAsg	NoAsg	2
64	D16	Hi Strings	Guitar	A.Gtr	NoAsg	NoAsg	2

number	voice name		category 1		category 2		Element
			Main	Sub	Main	Sub	
65	E01	Two Acoustics	Guitar	A.Gtr	NoAsg	NoAsg	4
66	E02	2 Steel Strings	Guitar	A.Gtr	NoAsg	NoAsg	4
67	E03	Big 12 Strings	Guitar	A.Gtr	NoAsg	NoAsg	4
68	E04	Airy 12 AF1&2	Guitar	A.Gtr	NoAsg	NoAsg	4
69	E05	Wide 12 strings AF1	Guitar	A.Gtr	NoAsg	NoAsg	4
70	E06	12Strings Mono	Guitar	A.Gtr	NoAsg	NoAsg	2
71	E07	Clean EI & Ac 1	Guitar	E.Cln	Guitar	A.Gtr	3
72	E08	Clean EI & Ac 2	Guitar	E.Cln	Guitar	A.Gtr	3
73	E09	Clean EI & Ac 3	Guitar	E.Cln	Guitar	A.Gtr	3
74	E10	Strange 12	Guitar	E.Cln	Guitar	A.Gtr	4
75	E11	Jazzy Pick	Guitar	E.Cln	NoAsg	NoAsg	2
76	E12	Melodic Jazz	Guitar	E.Cln	NoAsg	NoAsg	2
77	E13	Fat Oil Jazz AF1&2	Guitar	E.Cln	NoAsg	NoAsg	1
78	E14	Touch Wah AF1	Guitar	E.Cln	NoAsg	NoAsg	1
79	E15	Baby AF1	Guitar	E.Cln	NoAsg	NoAsg	3
80	E16	Good Night	Guitar	E.Cln	NoAsg	NoAsg	1
81	F01	Dynamic Clean AF1&2	Guitar	E.Cln	NoAsg	NoAsg	1
82	F02	Single Coil Chorus	Guitar	E.Cln	NoAsg	NoAsg	2
83	F03	Distant	Guitar	E.Cln	NoAsg	NoAsg	4
84	F04	Some Hair	Guitar	E.Dst	NoAsg	NoAsg	3
85	F05	Clean Slide Vel	Guitar	E.Cln	NoAsg	NoAsg	2
86	F06	Hit It Hard AS2	Guitar	E.Cln	NoAsg	NoAsg	2
87	F07	Paddy Clean	Guitar	E.Cln	NoAsg	NoAsg	2
88	F08	Bluesy Clean Legato	Guitar	E.Cln	NoAsg	NoAsg	2
89	F09	Dual Coil '65	Guitar	E.Dst	NoAsg	NoAsg	2
90	F10	Dual Coil Amp AS1	Guitar	E.Cln	NoAsg	NoAsg	1
91	F11	Roto Guitar MW	Guitar	E.Cln	NoAsg	NoAsg	2
92	F12	Dual Coil Slide Vel	Guitar	E.Cln	NoAsg	NoAsg	2
93	F13	Dual Coil Slap Vel	Guitar	E.Cln	NoAsg	NoAsg	2
94	F14	Dual Coil 80s Clean	Guitar	E.Cln	NoAsg	NoAsg	2
95	F15	Dual Coil Rotary	Guitar	E.Cln	NoAsg	NoAsg	2
96	F16	Electric 12Strings	Guitar	E.Cln	NoAsg	NoAsg	3
97	G01	Rotator AF1&2	Guitar	E.Dst	NoAsg	NoAsg	2
98	G02	Middy Tremolo	Guitar	E.Dst	NoAsg	NoAsg	3
99	G03	Retro Flanger	Guitar	E.Cln	NoAsg	NoAsg	2
100	G04	Vintage Strum	Guitar	E.Cln	NoAsg	NoAsg	3
101	G05	Spanky	Guitar	E.Dst	NoAsg	NoAsg	2
102	G06	Rockabilly	Guitar	E.Dst	NoAsg	NoAsg	2
103	G07	2 Electrics AF1&2	Guitar	E.Cln	NoAsg	NoAsg	2
104	G08	Light Blues AF1&2	Guitar	E.Dst	NoAsg	NoAsg	1
105	G09	Dual Coil Semi Clean	Guitar	E.Cln	NoAsg	NoAsg	1
106	G10	Chorus Dist AF1&2	Guitar	E.Dst	NoAsg	NoAsg	2
107	G11	Tex Boogie	Guitar	E.Dst	NoAsg	NoAsg	3
108	G12	59 Combo AF1&2	Guitar	E.Dst	NoAsg	NoAsg	2
109	G13	Alternative Rocker	Guitar	E.Dst	NoAsg	NoAsg	2
110	G14	Overdrive Mute&Harmo	Guitar	E.Dst	NoAsg	NoAsg	1
111	G15	Crunched Up 376	Guitar	E.Dst	NoAsg	NoAsg	3
112	G16	Dynamic Amp AS1	Guitar	E.Dst	NoAsg	NoAsg	3
113	H01	Chuggin' Guitar	Guitar	E.Dst	NoAsg	NoAsg	2
114	H02	Chugga	Guitar	E.Dst	NoAsg	NoAsg	1
115	H03	Small Amp AS1	Guitar	E.Dst	NoAsg	NoAsg	2
116	H04	Metal Mute AS2	Guitar	E.Dst	NoAsg	NoAsg	2
117	H05	DistortionMute&Harmo	Guitar	E.Dst	NoAsg	NoAsg	1
118	H06	Cool Drive AS1	Guitar	E.Dst	NoAsg	NoAsg	3
119	H07	Hard Drive AS1&2	Guitar	E.Dst	NoAsg	NoAsg	4
120	H08	Hard Ramp AS1&2	Guitar	E.Dst	NoAsg	NoAsg	3
121	H09	Heavy Drive	Guitar	E.Dst	NoAsg	NoAsg	2
122	H10	No.1 GTR AS1&2	Guitar	E.Dst	NoAsg	NoAsg	2
123	H11	Snake Finger	Guitar	E.Dst	NoAsg	NoAsg	2
124	H12	Dual Coil Blue Lead	Guitar	E.Dst	NoAsg	NoAsg	2
125	H13	Over The Top	Guitar	E.Dst	NoAsg	NoAsg	2
126	H14	Voodoooman	Guitar	E.Dst	NoAsg	NoAsg	2
127	H15	Killer Whammy	Guitar	E.Dst	NoAsg	NoAsg	3
128	H16	Latin Lover	Guitar	E.Dst	NoAsg	NoAsg	1

PRE3 (MSB=63, LSB=2)

number	voice name	category 1		category 2		Element	
		Main	Sub	Main	Sub		
1	A01	Oct FuzzPedalWah FC2	Guitar	E.Dst	NoAsg	NoAsg	3
2	A02	DualCoilLeadWah FC2	Guitar	E.Dst	NoAsg	NoAsg	2
3	A03	DualCoilHarmonicsVel	Guitar	E.Dst	NoAsg	NoAsg	3
4	A04	Crunchy Guitar	Guitar	E.Dst	NoAsg	NoAsg	3
5	A05	Beater AS2	Guitar	E.Dst	NoAsg	NoAsg	2
6	A06	HIP Mute	Guitar	E.Cln	NoAsg	NoAsg	2
7	A07	Pedal Steel	Guitar	E.Cln	NoAsg	NoAsg	2
8	A08	DualCoil80sCleanMute	Guitar	E.Cln	NoAsg	NoAsg	1
9	A09	Mid Drive (2handGtr)	Guitar	E.Dst	NoAsg	NoAsg	3
10	A10	HardRocker(2handGtr)	Guitar	E.Dst	NoAsg	NoAsg	3
11	A11	ToughTube (2handGtr)	Guitar	E.Dst	NoAsg	NoAsg	1
12	A12	DriveWah (2handGtr)	Guitar	E.Dst	NoAsg	NoAsg	4
13	A13	Resonator Guitar	Guitar	A.Gtr	Ethnic	Pluk	4
14	A14	Velo Growl	Bass	ABass	NoAsg	NoAsg	2
15	A15	GrooveAcoustic AF1&2	Bass	ABass	NoAsg	NoAsg	1
16	A16	Upright	Bass	ABass	NoAsg	NoAsg	2
17	B01	Prec Flat Wound	Bass	EBass	NoAsg	NoAsg	2
18	B02	Round Wound	Bass	EBass	NoAsg	NoAsg	2
19	B03	Active P	Bass	EBass	NoAsg	NoAsg	2
20	B04	Mid Range Finger	Bass	EBass	NoAsg	NoAsg	2
21	B05	Active TRB	Bass	EBass	NoAsg	NoAsg	1
22	B06	Passive BB AF1&2	Bass	EBass	NoAsg	NoAsg	1
23	B07	Vintage JB AF1&2	Bass	EBass	NoAsg	NoAsg	1
24	B08	StraightFinger AF1&2	Bass	EBass	NoAsg	NoAsg	1
25	B09	JB Flat Wound AF1&2	Bass	EBass	NoAsg	NoAsg	1
26	B10	Finger PBs AF1	Bass	EBass	NoAsg	NoAsg	1
27	B11	Prec Amped AF1	Bass	EBass	NoAsg	NoAsg	2
28	B12	Finger Bass Amp AF1	Bass	EBass	NoAsg	NoAsg	2
29	B13	Fret Buzzy	Bass	EBass	NoAsg	NoAsg	2
30	B14	Small Cabinet	Bass	EBass	NoAsg	NoAsg	1
31	B15	Simple Pick	Bass	EBass	NoAsg	NoAsg	1
32	B16	Pick Open	Bass	EBass	NoAsg	NoAsg	3
33	C01	Pick Mute	Bass	EBass	NoAsg	NoAsg	2
34	C02	Pick Pull	Bass	EBass	NoAsg	NoAsg	2
35	C03	Straight Pick AF1&2	Bass	EBass	NoAsg	NoAsg	2
36	C04	Velo Bass	Bass	EBass	NoAsg	NoAsg	1
37	C05	Slap Switch	Bass	EBass	NoAsg	NoAsg	2
38	C06	Fretless Dry	Bass	EBass	NoAsg	NoAsg	2
39	C07	Fretless Solo	Bass	EBass	NoAsg	NoAsg	2
40	C08	PBassFingerDist AF1	Bass	EBass	NoAsg	NoAsg	2
41	C09	Fuzz Bass AF1AS1	Bass	EBass	NoAsg	NoAsg	3
42	C10	Gnarly Bass	Bass	EBass	NoAsg	NoAsg	1
43	C11	BaCement	Bass	EBass	NoAsg	NoAsg	1
44	C12	Dist Tama Bass	Bass	EBass	NoAsg	NoAsg	3
45	C13	5th Fuzz Bass	Bass	EBass	NoAsg	NoAsg	3
46	C14	Chilli Bass	Bass	EBass	NoAsg	NoAsg	3
47	C15	Big Cabinet	Bass	EBass	NoAsg	NoAsg	2
48	C16	Hybrid Bass 1	Bass	EBass	NoAsg	NoAsg	3
49	D01	Hybrid Bass 2	Bass	EBass	NoAsg	NoAsg	3
50	D02	3 VCOs	Bass	SynBs	NoAsg	NoAsg	4
51	D03	Brain Bass AF1&2	Bass	SynBs	NoAsg	NoAsg	3
52	D04	Lo Boy AF1&2 AS1&2	Bass	SynBs	NoAsg	NoAsg	3
53	D05	Dark Bass	Bass	SynBs	NoAsg	NoAsg	1
54	D06	RnBass RB	Bass	SynBs	NoAsg	NoAsg	2
55	D07	Fundamental	Bass	SynBs	NoAsg	NoAsg	2
56	D08	Fat Sine Resonance	Bass	SynBs	NoAsg	NoAsg	3
57	D09	Moon Bass	Bass	SynBs	NoAsg	NoAsg	1
58	D10	More Fatty	Bass	SynBs	NoAsg	NoAsg	4
59	D11	Chill Out Bass AF1	Bass	SynBs	NoAsg	NoAsg	1
60	D12	Growler	Bass	SynBs	NoAsg	NoAsg	2
61	D13	Smacked	Bass	SynBs	NoAsg	NoAsg	2
62	D14	booooooooooom	Bass	SynBs	NoAsg	NoAsg	2
63	D15	Biting	Bass	SynBs	NoAsg	NoAsg	2
64	D16	Boogie A LegatoAF1RB	Bass	SynBs	NoAsg	NoAsg	3

number	voice name	category 1		category 2		Element	
		Main	Sub	Main	Sub		
65	E01	Uni Punch	Bass	SynBs	NoAsg	NoAsg	2
66	E02	Noise Bass	Bass	SynBs	NoAsg	NoAsg	1
67	E03	Single Oscillator	Bass	SynBs	NoAsg	NoAsg	1
68	E04	Unison	Bass	SynBs	NoAsg	NoAsg	3
69	E05	Long Spit AF2	Bass	SynBs	NoAsg	NoAsg	2
70	E06	Big Bass	Bass	SynBs	NoAsg	NoAsg	3
71	E07	Bass&Comp!	Bass	SynBs	NoAsg	NoAsg	4
72	E08	Rave Blade	Bass	SynBs	NoAsg	NoAsg	2
73	E09	Plastic Bass	Bass	SynBs	NoAsg	NoAsg	3
74	E10	Funky Resonance RB	Bass	SynBs	NoAsg	NoAsg	3
75	E11	Phat Three	Bass	SynBs	NoAsg	NoAsg	3
76	E12	Needle Bass	Bass	SynBs	NoAsg	NoAsg	3
77	E13	Acidd	Bass	SynBs	NoAsg	NoAsg	3
78	E14	Boom Bass AF1	Bass	SynBs	NoAsg	NoAsg	2
79	E15	West Coast	Bass	SynBs	NoAsg	NoAsg	2
80	E16	Wazzo	Bass	SynBs	NoAsg	NoAsg	2
81	F01	Fast PWM Bass	Bass	SynBs	NoAsg	NoAsg	2
82	F02	Bass Pedal	Bass	SynBs	NoAsg	NoAsg	2
83	F03	Oxide	Bass	SynBs	NoAsg	NoAsg	2
84	F04	Bowngo	Bass	SynBs	NoAsg	NoAsg	1
85	F05	Wide Synth Bass	Bass	SynBs	NoAsg	NoAsg	2
86	F06	Dry Synth Bass	Bass	SynBs	NoAsg	NoAsg	1
87	F07	Kick Bass Legato	Bass	SynBs	NoAsg	NoAsg	3
88	F08	Keep Dancin' AS2	Bass	SynBs	NoAsg	NoAsg	3
89	F09	Velo Master	Bass	SynBs	NoAsg	NoAsg	1
90	F10	Wah Bass	Bass	SynBs	NoAsg	NoAsg	2
91	F11	Pulse Step AF1	Bass	SynBs	NoAsg	NoAsg	2
92	F12	Phat Step AS1&2	Bass	SynBs	NoAsg	NoAsg	2
93	F13	Octave Analog	Bass	SynBs	NoAsg	NoAsg	2
94	F14	Sync Bass	Bass	SynBs	NoAsg	NoAsg	1
95	F15	Sync Big	Bass	SynBs	NoAsg	NoAsg	2
96	F16	Puncher AS1	Bass	SynBs	NoAsg	NoAsg	2
97	G01	Dark Comp AF1&2	Bass	SynBs	NoAsg	NoAsg	2
98	G02	Simple Bass AS2	Bass	SynBs	NoAsg	NoAsg	2
99	G03	Fat Sine	Bass	SynBs	NoAsg	NoAsg	4
100	G04	Kompressor	Bass	SynBs	NoAsg	NoAsg	3
101	G05	Dark Uni	Bass	SynBs	NoAsg	NoAsg	1
102	G06	Fight Bass	Bass	SynBs	NoAsg	NoAsg	3
103	G07	Byon Bass	Bass	SynBs	NoAsg	NoAsg	5
104	G08	One Voice	Bass	SynBs	NoAsg	NoAsg	1
105	G09	Pro-Attack AF1	Bass	SynBs	NoAsg	NoAsg	2
106	G10	Bobby Bass	Bass	SynBs	NoAsg	NoAsg	2
107	G11	Trance Bass AS2	Bass	SynBs	NoAsg	NoAsg	2
108	G12	Short Sequence Bass	Bass	SynBs	NoAsg	NoAsg	2
109	G13	Lately	Bass	SynBs	NoAsg	NoAsg	2
110	G14	Faat Pulse	Bass	SynBs	NoAsg	NoAsg	3
111	G15	Short PWM Bass	Bass	SynBs	NoAsg	NoAsg	2
112	G16	Hyper Velocity AF1	Bass	SynBs	NoAsg	NoAsg	2
113	H01	Deep Point	Bass	SynBs	NoAsg	NoAsg	2
114	H02	Pulse Stop	Bass	SynBs	NoAsg	NoAsg	1
115	H03	Oh Bee Bass	Bass	SynBs	NoAsg	NoAsg	2
116	H04	Booming Bass	Bass	SynBs	S.EFX	NoAsg	3
117	H05	Army Bass	Bass	SynBs	SynLd	Dance	2
118	H06	Punchy Drone RB	Bass	SynBs	SynLd	Dance	4
119	H07	Dee Tune	Bass	SynBs	SyCmp	Hook	2
120	H08	Chorus Pulse	Bass	SynBs	SynLd	Dance	1
121	H09	Sweeper	Bass	SynBs	SynLd	Analg	2
122	H10	Old House Organ	Bass	SynBs	Organ	NoAsg	4
123	H11	Data Run	Bass	Arp	NoAsg	NoAsg	1
124	H12	Sharp 3o3	Bass	Arp	NoAsg	NoAsg	1
125	H13	Short 3o3 Saw	Bass	Arp	NoAsg	NoAsg	1
126	H14	Acid Fun AS1	SynLd	Arp	Bass	SynBs	1
127	H15	Compu Bass	Bass	Arp	NoAsg	NoAsg	1
128	H16	Squeaker Bass	Bass	Arp	NoAsg	NoAsg	1

PRE4 (MSB=63, LSB=3)

number	voice name	category 1		category 2		Element	
		Main	Sub	Main	Sub		
1	A01	Violin Solo 1	String	Solo	NoAsg	NoAsg	3
2	A02	Violin Solo 2 AF1	String	Solo	NoAsg	NoAsg	1
3	A03	Viola Solo 1	String	Solo	NoAsg	NoAsg	3
4	A04	Viola Solo 2 AF1	String	Solo	NoAsg	NoAsg	2
5	A05	Cello Solo	String	Solo	NoAsg	NoAsg	3
6	A06	Cello Duo AF1	String	Solo	NoAsg	NoAsg	2
7	A07	Contrabass Solo	String	Solo	NoAsg	NoAsg	3
8	A08	Contrabass Solo2 AF1	String	Solo	NoAsg	NoAsg	2
9	A09	Quartet	String	Ensem	NoAsg	NoAsg	4
10	A10	Small Section	String	Ensem	NoAsg	NoAsg	3
11	A11	Small Ensemble	String	Ensem	NoAsg	NoAsg	4
12	A12	Almighty	String	Ensem	NoAsg	NoAsg	4
13	A13	Medium Section	String	Ensem	NoAsg	NoAsg	4
14	A14	Medium Hall	String	Ensem	NoAsg	NoAsg	4
15	A15	Medium Large Section	String	Ensem	NoAsg	NoAsg	2
16	A16	Quick Bows	String	Ensem	NoAsg	NoAsg	4
17	B01	Aggressive AF1	String	Ensem	NoAsg	NoAsg	2
18	B02	Large Section	String	Ensem	NoAsg	NoAsg	4
19	B03	Octave Ensemble	String	Ensem	NoAsg	NoAsg	4
20	B04	Full Chamber	String	Ensem	NoAsg	NoAsg	4
21	B05	Stryngs	String	Ensem	NoAsg	NoAsg	4
22	B06	Dynamik Bow	String	Ensem	NoAsg	NoAsg	4
23	B07	Symphonic Pizzicato	String	Pizz	NoAsg	NoAsg	2
24	B08	Plucky Pizzicato	String	Pizz	NoAsg	NoAsg	2
25	B09	Octave Pizzes	String	Pizz	NoAsg	NoAsg	4
26	B10	Tremolo Strings 1	String	Ensem	NoAsg	NoAsg	4
27	B11	TremoloStrings Small	String	Ensem	NoAsg	NoAsg	4
28	B12	Spicato Large	String	Pizz	NoAsg	NoAsg	4
29	B13	Disco AF1	String	Pizz	NoAsg	NoAsg	4
30	B14	Ens Mix	String	Ensem	NoAsg	NoAsg	2
31	B15	Lush	String	Ensem	NoAsg	NoAsg	4
32	B16	Back Ground	String	Ensem	Pads	Warm	4
33	C01	Romantic	String	Ensem	Pads	Brite	4
34	C02	Warm Back	String	Ensem	Pads	Warm	3
35	C03	Stringy	String	Ensem	Pads	Brite	4
36	C04	Big Strings	String	Ensem	Pads	Warm	4
37	C05	PWM Strings	String	Synth	Pads	Analg	3
38	C06	Mourn Strings	String	Synth	Pads	Warm	4
39	C07	VP Soft	String	Synth	Pads	Warm	3
40	C08	PWM Simple	String	Synth	Pads	Analg	3
41	C09	Glassy Resonant	String	Synth	Pads	Analg	4
42	C10	Superstrings	String	Synth	Pads	Brite	3
43	C11	Light Pad	String	Synth	Pads	Analg	4
44	C12	Noble Pad	String	Synth	Pads	Analg	2
45	C13	Warm Big	String	Ensem	Pads	Warm	4
46	C14	Sentimental	String	Synth	Pads	Warm	4
47	C15	Analog Sweep	String	Synth	Pads	Analg	4
48	C16	Phase Strings AS1	String	Synth	Pads	Analg	4
49	D01	Octave Strings	String	Synth	Pads	Brite	4
50	D02	JP Strings	String	Synth	Pads	Analg	2
51	D03	3Oscillators Vintage	String	Synth	Pads	Brite	3
52	D04	Silver Strings	String	Synth	Pads	Brite	2
53	D05	String Machine	String	Synth	Pads	Warm	3
54	D06	3 Octave Strings	String	Synth	Pads	Brite	4
55	D07	Trance Introduction	String	Synth	Pads	Brite	2
56	D08	Mystic Trance	String	Synth	Pads	Brite	4
57	D09	F.Horn + Strings	String	Ensem	Brass	Orche	4
58	D10	Wood Winds + Strings	String	Synth	SaxWW	WWind	4
59	D11	ElectricViolin AF1&2	String	Solo	NoAsg	NoAsg	1
60	D12	Tron Violin	String	Synth	NoAsg	NoAsg	4
61	D13	Tron Strings	String	Synth	NoAsg	NoAsg	3
62	D14	Tape Strings AS2	String	Synth	NoAsg	NoAsg	3
63	D15	Orchestronic	String	Synth	Pads	Warm	4
64	D16	Vinyltron	String	Synth	S.EFX	SciFi	4

number	voice name	category 1		category 2		Element	
		Main	Sub	Main	Sub		
65	E01	Analog Strings	String	Synth	NoAsg	NoAsg	1
66	E02	Analog Ensemble	String	Ensem	NoAsg	NoAsg	3
67	E03	Pizz-o-matic	String	Arp	NoAsg	NoAsg	2
68	E04	Ambient Pizza	String	Arp	Pads	Analg	4
69	E05	Beauty Harp	String	Pizz	NoAsg	NoAsg	1
70	E06	Stereo Harp	String	Pizz	NoAsg	NoAsg	3
71	E07	Trumpet 1 AF1	Brass	Solo	NoAsg	NoAsg	2
72	E08	Tp Romantic Legato	Brass	Solo	NoAsg	NoAsg	2
73	E09	Classical Trumpet	Brass	Solo	NoAsg	NoAsg	1
74	E10	Baby Trumpet AF1	Brass	Solo	NoAsg	NoAsg	2
75	E11	Bright Trumpet AF1	Brass	Solo	NoAsg	NoAsg	2
76	E12	Tp Soft Jazz Legato	Brass	Solo	NoAsg	NoAsg	2
77	E13	Legend Mute AF1	Brass	Solo	NoAsg	NoAsg	3
78	E14	Jazzy Flugel AF1	Brass	Solo	NoAsg	NoAsg	2
79	E15	Trumpet Section	Brass	BrsEn	NoAsg	NoAsg	4
80	E16	Trombone 1 AF1	Brass	Solo	NoAsg	NoAsg	2
81	F01	Blown Bone Legato	Brass	Solo	NoAsg	NoAsg	1
82	F02	Bright Trombone AF1	Brass	Solo	NoAsg	NoAsg	2
83	F03	New Orleans Trombone	Brass	Solo	NoAsg	NoAsg	2
84	F04	French Horn AF1	Brass	Solo	NoAsg	NoAsg	1
85	F05	French Horn Solo	Brass	Solo	NoAsg	NoAsg	1
86	F06	BassTuba(Bb)	Brass	Solo	NoAsg	NoAsg	2
87	F07	Euphonium	Brass	Orche	NoAsg	NoAsg	2
88	F08	Bony Section	Brass	BrsEn	NoAsg	NoAsg	4
89	F09	French Horn Section	Brass	Orche	NoAsg	NoAsg	2
90	F10	F.Horn + Trombone	Brass	Orche	NoAsg	NoAsg	4
91	F11	F.Hrn + Trmbn + Trp	Brass	Orche	NoAsg	NoAsg	4
92	F12	Orchestra Brass	Brass	Orche	NoAsg	NoAsg	4
93	F13	Movie Horns	Brass	Orche	NoAsg	NoAsg	4
94	F14	Symphonic	Brass	Orche	NoAsg	NoAsg	4
95	F15	Smooth Brass	Brass	Orche	NoAsg	NoAsg	4
96	F16	SoftBrss mp-mf AF1&2	Brass	Orche	NoAsg	NoAsg	2
97	G01	Dynamic Brass AF1&2	Brass	Orche	NoAsg	NoAsg	2
98	G02	Accent mf-fall AF1&2	Brass	BrsEn	NoAsg	NoAsg	4
99	G03	Small Brass Section	Brass	BrsEn	NoAsg	NoAsg	2
100	G04	Medium Brass Section	Brass	BrsEn	NoAsg	NoAsg	4
101	G05	Lots O' Brass	Brass	BrsEn	NoAsg	NoAsg	4
102	G06	Bright Section	Brass	BrsEn	NoAsg	NoAsg	4
103	G07	Power Section	Brass	BrsEn	NoAsg	NoAsg	4
104	G08	Shiny Brass	Brass	BrsEn	NoAsg	NoAsg	4
105	G09	Big Brass AF1&2	Brass	BrsEn	NoAsg	NoAsg	4
106	G10	Sforzando AF1&2	Brass	BrsEn	NoAsg	NoAsg	4
107	G11	Soft Brass & Sax	Brass	BrsEn	SaxWW	Sax	4
108	G12	Big Band	Brass	BrsEn	NoAsg	NoAsg	4
109	G13	Sax Big Band	Brass	BrsEn	SaxWW	Sax	4
110	G14	Velo Falls	Brass	BrsEn	NoAsg	NoAsg	3
111	G15	Hybrid Section	Brass	Synth	NoAsg	NoAsg	3
112	G16	Hybrid Bright	Brass	Synth	NoAsg	NoAsg	3
113	H01	Hybrid Brass Swell	Brass	Synth	NoAsg	NoAsg	4
114	H02	T Brass	Brass	Synth	NoAsg	NoAsg	2
115	H03	Lo-fi AS1&2	Brass	BrsEn	NoAsg	NoAsg	1
116	H04	Quiet Brass	Brass	Synth	NoAsg	NoAsg	2
117	H05	Big Syn	Brass	Synth	NoAsg	NoAsg	2
118	H06	Thinth	Brass	Synth	NoAsg	NoAsg	2
119	H07	XP Brass Stereo	Brass	Synth	Pads	Warm	2
120	H08	Simple Saw Brass	Brass	Synth	Pads	Brite	4
121	H09	Brassy	Brass	Synth	NoAsg	NoAsg	2
122	H10	Kustom	Brass	Synth	Pads	Brite	3
123	H11	After 1984	Brass	Synth	SyCmp	Analg	4
124	H12	Finale	Brass	Synth	SyCmp	Analg	2
125	H13	Huge CS80	Brass	Synth	NoAsg	NoAsg	2
126	H14	CS-90	Brass	Synth	NoAsg	NoAsg	2
127	H15	Ob Soft	Brass	Synth	Pads	Warm	4
128	H16	Ob Horns	Brass	Synth	Pads	Warm	2

Voice List

PRE5 (MSB=63, LSB=4)

number	voice name	category 1		category 2		Element	
		Main	Sub	Main	Sub		
1	A01	Slow PWM Brass	Brass	Synth	NoAsg	NoAsg	2
2	A02	Soft 5th Brass	Brass	Synth	Pads	Warm	4
3	A03	Soprano Legato	SaxWW	Sax	NoAsg	NoAsg	2
4	A04	Soprano Soft AF1	SaxWW	Sax	NoAsg	NoAsg	2
5	A05	Alto Vib Legato	SaxWW	Sax	NoAsg	NoAsg	3
6	A06	Alto Legato	SaxWW	Sax	NoAsg	NoAsg	1
7	A07	Alto	SaxWW	Sax	NoAsg	NoAsg	1
8	A08	Tenor Dynamic AF1	SaxWW	Sax	NoAsg	NoAsg	3
9	A09	Tenor Soft Legato	SaxWW	Sax	NoAsg	NoAsg	3
10	A10	Velo Growl Legato	SaxWW	Sax	NoAsg	NoAsg	3
11	A11	Tenor Growl AF1	SaxWW	Sax	NoAsg	NoAsg	1
12	A12	Baritone	SaxWW	Sax	NoAsg	NoAsg	1
13	A13	Hip Bari	SaxWW	Sax	NoAsg	NoAsg	1
14	A14	Tenor Section	SaxWW	Sax	Brass	BrsEn	3
15	A15	Sax Octave Section	SaxWW	Sax	Brass	BrsEn	4
16	A16	Mixed Sax Section	SaxWW	Sax	Brass	BrsEn	4
17	B01	Flute Legato	SaxWW	Flute	NoAsg	NoAsg	3
18	B02	Sweet Flute AF1	SaxWW	Flute	NoAsg	NoAsg	2
19	B03	Wood Flute	SaxWW	Flute	NoAsg	NoAsg	2
20	B04	Oboe 1 AF1	SaxWW	RPipe	NoAsg	NoAsg	3
21	B05	Sweet Oboe Legato	SaxWW	RPipe	NoAsg	NoAsg	2
22	B06	Oboe Soft Legato	SaxWW	RPipe	NoAsg	NoAsg	2
23	B07	Clarinet 1 AF1	SaxWW	WWind	NoAsg	NoAsg	3
24	B08	JazzyClarinet Legato	SaxWW	RPipe	NoAsg	NoAsg	2
25	B09	Bassoon 1 AF1	SaxWW	RPipe	NoAsg	NoAsg	3
26	B10	Irish Pipe Legato	SaxWW	RPipe	NoAsg	NoAsg	1
27	B11	2 Flutes	SaxWW	Flute	NoAsg	NoAsg	3
28	B12	Flute & Clari	SaxWW	Flute	SaxWW	RPipe	4
29	B13	2 Oboes & Bassoon	SaxWW	WWind	NoAsg	NoAsg	4
30	B14	WoodWind Quartet	SaxWW	WWind	NoAsg	NoAsg	8
31	B15	Gentle Harp	SaxWW	RPipe	NoAsg	NoAsg	1
32	B16	Woody Harp	SaxWW	RPipe	NoAsg	NoAsg	1
33	C01	Bluz Distort	SaxWW	RPipe	NoAsg	NoAsg	2
34	C02	Campfire	SaxWW	RPipe	NoAsg	NoAsg	2
35	C03	Tron Flute	SaxWW	Flute	NoAsg	NoAsg	3
36	C04	Flootz	SaxWW	Flute	NoAsg	NoAsg	2
37	C05	Huge Lead	SynLd	Analg	NoAsg	NoAsg	4
38	C06	Bleep Lead AF2	SynLd	Analg	NoAsg	NoAsg	2
39	C07	Detuned Vintage	SynLd	Analg	NoAsg	NoAsg	2
40	C08	Space Lead	SynLd	Analg	NoAsg	NoAsg	2
41	C09	Dual Square Lead	SynLd	Analg	NoAsg	NoAsg	2
42	C10	Vintage Sync	SynLd	Analg	NoAsg	NoAsg	2
43	C11	Dirty Hook	SynLd	Analg	SyCmp	Hook	4
44	C12	Nu Mini	SynLd	Analg	NoAsg	NoAsg	3
45	C13	ProgressiveRock Lead	SynLd	Analg	NoAsg	NoAsg	3
46	C14	Lucky	SynLd	Analg	NoAsg	NoAsg	2
47	C15	Opening	SynLd	Analg	NoAsg	NoAsg	2
48	C16	Rap Lead 1	SynLd	Analg	NoAsg	NoAsg	1
49	D01	Mini Soft	SynLd	Analg	NoAsg	NoAsg	2
50	D02	Feeling	SynLd	Analg	NoAsg	NoAsg	1
51	D03	Early Lead	SynLd	Analg	NoAsg	NoAsg	2
52	D04	Funky Pulse	SynLd	Digitl	NoAsg	NoAsg	1
53	D05	Mr. Finger	SynLd	Analg	NoAsg	NoAsg	2
54	D06	Singleline	SynLd	Analg	NoAsg	NoAsg	2
55	D07	Soft RnB	SynLd	Analg	NoAsg	NoAsg	1
56	D08	Wind Synth	SynLd	Analg	NoAsg	NoAsg	3
57	D09	Broken Sine RBAS1	SynLd	Analg	NoAsg	NoAsg	1
58	D10	Duck Lead	SynLd	Analg	NoAsg	NoAsg	1
59	D11	In da Night	SynLd	Analg	NoAsg	NoAsg	1
60	D12	Mayday MW	SynLd	Analg	NoAsg	NoAsg	1
61	D13	On D Line	SynLd	Analg	NoAsg	NoAsg	2
62	D14	Early Soloist	SynLd	Analg	NoAsg	NoAsg	1
63	D15	Heterodyne	SynLd	Analg	NoAsg	NoAsg	1
64	D16	Classic 5th	SynLd	Analg	NoAsg	NoAsg	3

number	voice name	category 1		category 2		Element	
		Main	Sub	Main	Sub		
65	E01	Vintage Saw	SynLd	Analg	NoAsg	NoAsg	3
66	E02	Mini Three	SynLd	Digitl	NoAsg	NoAsg	3
67	E03	Phat Dino	SynLd	Digitl	NoAsg	NoAsg	3
68	E04	Dynamic Mini	SynLd	Digitl	NoAsg	NoAsg	3
69	E05	PWM Lead	SynLd	Digitl	NoAsg	NoAsg	2
70	E06	Pulse Wound	SynLd	Digitl	NoAsg	NoAsg	1
71	E07	Think Sync	SynLd	Digitl	NoAsg	NoAsg	3
72	E08	Punch Lead	SynLd	Digitl	SyCmp	Hook	2
73	E09	Bright Saw	SynLd	Digitl	NoAsg	NoAsg	2
74	E10	Trojan	SynLd	Digitl	NoAsg	NoAsg	3
75	E11	Wood Panel	SynLd	Digitl	NoAsg	NoAsg	2
76	E12	Push Ahead	SynLd	Digitl	SyCmp	Hook	1
77	E13	Eight	SynLd	Digitl	NoAsg	NoAsg	4
78	E14	Sync Power	SynLd	Digitl	NoAsg	NoAsg	2
79	E15	Gliten Lead	SynLd	Digitl	NoAsg	NoAsg	4
80	E16	Big Drone	SynLd	Digitl	NoAsg	NoAsg	4
81	F01	Screamemy	SynLd	Digitl	NoAsg	NoAsg	2
82	F02	Flange Filter	SynLd	Digitl	NoAsg	NoAsg	2
83	F03	Sutra	SynLd	Digitl	M.EFX	Move	3
84	F04	Free LFO	SynLd	Digitl	NoAsg	NoAsg	1
85	F05	Rap Lead 2	SynLd	Digitl	NoAsg	NoAsg	1
86	F06	Space Power Lead	SynLd	Digitl	SyCmp	Hook	2
87	F07	Nyquist	SynLd	Digitl	NoAsg	NoAsg	2
88	F08	Digitmetal	SynLd	Digitl	NoAsg	NoAsg	1
89	F09	Saw destroy	SynLd	Digitl	NoAsg	NoAsg	3
90	F10	Vinalog saw	SynLd	Digitl	NoAsg	NoAsg	4
91	F11	Mady SQU	SynLd	Digitl	NoAsg	NoAsg	2
92	F12	Low Undulation	SynLd	Digitl	NoAsg	NoAsg	4
93	F13	Impact	SynLd	H Hop	SyCmp	Hook	3
94	F14	Talk Mod	SynLd	H Hop	M.EFX	Sweep	2
95	F15	Digital Gangsta	SynLd	H Hop	NoAsg	NoAsg	1
96	F16	Plastic Squeeze	SynLd	H Hop	NoAsg	NoAsg	1
97	G01	Pinz Lead	SynLd	H Hop	NoAsg	NoAsg	1
98	G02	Dancy Saw Lead	SynLd	Dance	SyCmp	Hook	2
99	G03	Buzz Around	SynLd	Dance	SyCmp	Hook	3
100	G04	Xtreme Wheel	SynLd	Dance	NoAsg	NoAsg	2
101	G05	Supertrance	SynLd	Dance	SyCmp	Hook	4
102	G06	Poly Hook	SynLd	Dance	SyCmp	Hook	2
103	G07	HPF Dance	SynLd	Dance	SyCmp	Hook	2
104	G08	Tekk Glide	SynLd	Dance	NoAsg	NoAsg	2
105	G09	Growl Tekk	SynLd	Dance	NoAsg	NoAsg	1
106	G10	Plucked Chordz	SynLd	Dance	NoAsg	NoAsg	4
107	G11	Chordz	SynLd	Dance	NoAsg	NoAsg	4
108	G12	Cool Body	SynLd	Dance	NoAsg	NoAsg	4
109	G13	Twist Sync	SynLd	Dance	NoAsg	NoAsg	2
110	G14	TEKIE	SynLd	Dance	NoAsg	NoAsg	4
111	G15	Sonix	SynLd	Dance	NoAsg	NoAsg	3
112	G16	Big Skid Hook Lead 1	SynLd	Dance	SyCmp	Hook	4
113	H01	Big Skid Hook Lead 2	SynLd	Dance	SyCmp	Hook	4
114	H02	Porta Queen	SynLd	Arp	NoAsg	NoAsg	2
115	H03	Vicious Dogs	SynLd	Arp	SyCmp	Digitl	4
116	H04	Saw Pad	Pads	Analg	NoAsg	NoAsg	4
117	H05	Dark Modulation Pad	Pads	Analg	NoAsg	NoAsg	2
118	H06	Dark Light	Pads	Warm	NoAsg	NoAsg	2
119	H07	Ambient Synthpad	Pads	Analg	NoAsg	NoAsg	2
120	H08	5th Lite	Pads	Analg	NoAsg	NoAsg	4
121	H09	Smooth BPF Sweep	Pads	Analg	NoAsg	NoAsg	2
122	H10	High Wire	Pads	Analg	NoAsg	NoAsg	2
123	H11	Trance MW	Pads	Analg	NoAsg	NoAsg	2
124	H12	Xtreme Sweep	Pads	Analg	M.EFX	Sweep	2
125	H13	Nu WarmPad	Pads	Warm	NoAsg	NoAsg	2
126	H14	5th Atmosphere	Pads	Warm	NoAsg	NoAsg	4
127	H15	Dim	Pads	Warm	M.EFX	Ambie	1
128	H16	Simple Air	Pads	Warm	NoAsg	NoAsg	2

PRE6 (MSB=63, LSB=5)

number	voice name	category 1		category 2		Element	
		Main	Sub	Main	Sub		
1	A01	Nature Sine	Pads	Warm	NoAsg	NoAsg	3
2	A02	Analog	Pads	Warm	NoAsg	NoAsg	2
3	A03	Perc Pad	Pads	Warm	NoAsg	NoAsg	4
4	A04	Dark Atmo Pad	Pads	Warm	NoAsg	NoAsg	4
5	A05	Dark Organ Pad	Pads	Warm	NoAsg	NoAsg	2
6	A06	Soft Brassy	Pads	Warm	NoAsg	NoAsg	2
7	A07	Road to Nowhere	Pads	Warm	M.EFX	Sweep	4
8	A08	Sweep Strings	Pads	Warm	String	Synth	3
9	A09	Brass Motion Pad	Pads	Warm	M.EFX	Move	2
10	A10	Luminous	Pads	Warm	M.EFX	Sweep	4
11	A11	Mother Ship	Pads	Choir	NoAsg	NoAsg	4
12	A12	Warm Backing Pad	Pads	Warm	String	Synth	2
13	A13	Feather	Pads	Warm	String	Synth	4
14	A14	Pan Sphere	Pads	Warm	SaxWW	Flute	4
15	A15	Square	Pads	Analg	NoAsg	NoAsg	2
16	A16	Shaper	Pads	Brite	M.EFX	Ambie	2
17	B01	Early Digital	Pads	Warm	M.EFX	Ambie	3
18	B02	Dramana	Pads	Brite	M.EFX	Ambie	3
19	B03	Dream Shift	Pads	Brite	NoAsg	NoAsg	4
20	B04	Remote Space	Pads	Warm	M.EFX	Ambie	2
21	B05	Fathoms	Pads	Warm	M.EFX	Ambie	4
22	B06	SY22 2007	Pads	Warm	M.EFX	Move	1
23	B07	Mother Earth	Pads	Warm	M.EFX	Ambie	3
24	B08	Landing Pad	Pads	Warm	M.EFX	Ambie	2
25	B09	The Breath	Pads	Brite	NoAsg	NoAsg	4
26	B10	Humanity	Pads	Warm	NoAsg	NoAsg	2
27	B11	Vowel Pad	Pads	Choir	M.EFX	Move	4
28	B12	Feather Pad	Pads	Brite	NoAsg	NoAsg	2
29	B13	Slow Attack Pad	Pads	Brite	NoAsg	NoAsg	2
30	B14	Hi Brite	Pads	Brite	String	Synth	2
31	B15	Pad & Syn	Pads	Brite	SyCmp	Analg	4
32	B16	Cosmic Swell Pad	Pads	Brite	NoAsg	NoAsg	4
33	C01	Sweet Flange	Pads	Brite	NoAsg	NoAsg	4
34	C02	Waterfall	Pads	Brite	NoAsg	NoAsg	4
35	C03	Phase Pad	Pads	Brite	String	Synth	1
36	C04	Pure Synth	Pads	Brite	NoAsg	NoAsg	4
37	C05	Pearls	Pads	Brite	M.EFX	Ambie	4
38	C06	Flange Wall	Pads	Brite	NoAsg	NoAsg	1
39	C07	Tornado	Pads	Brite	SyCmp	Digitl	2
40	C08	Ice Rink	Pads	Brite	M.EFX	Sweep	4
41	C09	Turbulence	Pads	Brite	NoAsg	NoAsg	1
42	C10	Bell Pad	Pads	Brite	CPerc	SynBl	4
43	C11	Paradise	Pads	Brite	NoAsg	NoAsg	1
44	C12	Yellow River	Pads	Brite	NoAsg	NoAsg	4
45	C13	Love Me	Pads	Brite	NoAsg	NoAsg	4
46	C14	Frozen Pad	Pads	Brite	NoAsg	NoAsg	4
47	C15	Pensive	Pads	Warm	NoAsg	NoAsg	4
48	C16	Space Vocals	Pads	Choir	NoAsg	NoAsg	3
49	D01	Haah Pad	Pads	Choir	NoAsg	NoAsg	4
50	D02	Oooh Pad	Pads	Choir	NoAsg	NoAsg	4
51	D03	Back in Itopian	Pads	Choir	NoAsg	NoAsg	4
52	D04	Strings & Choir	Pads	Choir	String	Ensem	4
53	D05	Angel Eyes	Pads	Choir	NoAsg	NoAsg	3
54	D06	Glass Choir	Pads	Choir	NoAsg	NoAsg	4
55	D07	Nativity	Pads	Choir	NoAsg	NoAsg	4
56	D08	Seraphim	Pads	Choir	NoAsg	NoAsg	4
57	D09	Analog Shine	Pads	Arp	M.EFX	Ambie	2
58	D10	Cosmic Gate	Pads	Arp	M.EFX	Sweep	4
59	D11	Catching Wild Horses	Pads	Arp	M.EFX	Sweep	2
60	D12	High Pass Gate	Pads	Arp	M.EFX	Sweep	2
61	D13	Rhythmic Filterpad 1	Pads	Arp	M.EFX	Move	2
62	D14	Rhythmic Filterpad 2	Pads	Arp	M.EFX	Move	2
63	D15	P5 Resonance Comp	SyCmp	Analg	SynLd	Analg	3
64	D16	P5 Analog Punch	SyCmp	Analg	SynLd	Analg	3

number	voice name	category 1		category 2		Element	
		Main	Sub	Main	Sub		
65	E01	Cool Trance	SyCmp	Analg	SynLd	Arp	2
66	E02	>Attack<	SyCmp	Analg	NoAsg	NoAsg	2
67	E03	Club Finger	SyCmp	Analg	NoAsg	NoAsg	3
68	E04	Wobbly RB	SyCmp	Analg	Pads	Warm	2
69	E05	Ana Dayz	SyCmp	Analg	Pads	Analg	4
70	E06	Airy Nylon	SyCmp	Analg	Guitar	Synth	4
71	E07	Progressive Attack	SyCmp	Analg	M.EFX	Move	3
72	E08	Oracle	SyCmp	Analg	NoAsg	NoAsg	3
73	E09	Big Comp	SyCmp	Digitl	Pads	Brite	4
74	E10	Rezz Punch	SyCmp	Digitl	NoAsg	NoAsg	4
75	E11	Resonant Clavi	SyCmp	Digitl	NoAsg	NoAsg	1
76	E12	Straight RB	SyCmp	Digitl	SynLd	Analg	3
77	E13	Psych Noise	SyCmp	Digitl	SynLd	Digitl	4
78	E14	Squiffy Misbehaving	SyCmp	Digitl	NoAsg	NoAsg	3
79	E15	Lektro Codes	SyCmp	Digitl	SynLd	Digitl	3
80	E16	Hard FM Keys	SyCmp	Digitl	SynLd	Digitl	2
81	F01	W Phaser	SyCmp	Digitl	NoAsg	NoAsg	2
82	F02	DPCM Attack	SyCmp	Digitl	NoAsg	NoAsg	2
83	F03	Talk	SyCmp	Digitl	SynLd	Digitl	3
84	F04	Digy_SEQ	SyCmp	Arp	SynLd	Digitl	3
85	F05	Nerve Nasty	SyCmp	Arp	NoAsg	NoAsg	3
86	F06	Ring_Zplus	SyCmp	Digitl	NoAsg	NoAsg	2
87	F07	Trance Attack	SyCmp	Digitl	String	Pizz	3
88	F08	Tekno Attack AF1&2	SyCmp	Digitl	NoAsg	NoAsg	3
89	F09	PWM Percussion	SyCmp	Digitl	NoAsg	NoAsg	2
90	F10	Stabby	SyCmp	Digitl	NoAsg	NoAsg	3
91	F11	Detroit Stab	SyCmp	Digitl	NoAsg	NoAsg	3
92	F12	Corrado	SyCmp	Digitl	S.EFX	NoAsg	3
93	F13	Syntheticque	SyCmp	Digitl	NoAsg	NoAsg	1
94	F14	Noiz Rezz	SyCmp	Digitl	Pads	Brite	3
95	F15	Tuxedo	SyCmp	Digitl	M.EFX	Sweep	4
96	F16	Queens	SyCmp	Digitl	Pads	Warm	3
97	G01	Hip Voice	SyCmp	Digitl	SynLd	H Hop	2
98	G02	GX1	SyCmp	Fade	NoAsg	NoAsg	4
99	G03	Night Watch	SyCmp	Fade	NoAsg	NoAsg	3
100	G04	Pluck Bells	SyCmp	Fade	CPerc	SynBl	4
101	G05	Power Dance Chords	SyCmp	Hook	Pads	Analg	4
102	G06	Hyper Trance	SyCmp	Digitl	SynLd	Digitl	4
103	G07	Cosmic Psyche	SyCmp	Digitl	M.EFX	Move	3
104	G08	Chillin' Chords	SyCmp	Arp	SyCmp	Hook	2
105	G09	Dirty Chordz	SyCmp	Arp	SyCmp	Hook	4
106	G10	Wild Horses	SyCmp	Arp	NoAsg	NoAsg	3
107	G11	Sixpack AF1&2	SyCmp	Arp	NoAsg	NoAsg	1
108	G12	Percussive Chords	SyCmp	Arp	NoAsg	NoAsg	2
109	G13	Chordmaster	SyCmp	Arp	NoAsg	NoAsg	2
110	G14	In the Mirror	SyCmp	Arp	NoAsg	NoAsg	1
111	G15	Come together!	SyCmp	Arp	NoAsg	NoAsg	1
112	G16	Happy Hour	SyCmp	Arp	Pads	Arp	2
113	H01	Recycling	SyCmp	Arp	Pads	Arp	2
114	H02	Digital Dreaming	SyCmp	Arp	NoAsg	NoAsg	4
115	H03	Carpenter's Wife	SyCmp	Arp	NoAsg	NoAsg	1
116	H04	Electronic Games	SyCmp	Arp	NoAsg	NoAsg	2
117	H05	Dancing Waves	SyCmp	Arp	NoAsg	NoAsg	1
118	H06	Hit Factory	SyCmp	Arp	NoAsg	NoAsg	1
119	H07	Freaky Loop	SyCmp	Arp	NoAsg	NoAsg	1
120	H08	Mr. Wah!	SyCmp	Arp	M.EFX	Move	2
121	H09	Chill Comp 1	SyCmp	Arp	M.EFX	Move	1
122	H10	Chill Comp 2	M.EFX	Arp	NoAsg	NoAsg	1
123	H11	Kalimboidal	SyCmp	Arp	CPerc	SynBl	2
124	H12	Bippus	SyCmp	Arp	NoAsg	NoAsg	2
125	H13	Virtuoso Sequencia	SyCmp	Arp	NoAsg	NoAsg	3
126	H14	Fat Saw Arpeggio	SyCmp	Arp	NoAsg	NoAsg	2
127	H15	Trancious Line	SyCmp	Arp	NoAsg	NoAsg	1
128	H16	Metal Plate	SyCmp	Arp	NoAsg	NoAsg	3

Voice List

PRE7 (MSB=63, LSB=6)

number	voice name	category 1		category 2		Element	
		Main	Sub	Main	Sub		
1	A01	Fifth Dancer	SyCmp	Arp	NoAsg	NoAsg	2
2	A02	Percussive Sequence	SyCmp	Arp	NoAsg	NoAsg	1
3	A03	Simply Faaat	SyCmp	Arp	SynLd	Dance	2
4	A04	Bright Dance	SyCmp	Arp	SynLd	Dance	2
5	A05	Quadro Tune	SyCmp	Arp	NoAsg	NoAsg	4
6	A06	Champ	SynLd	Arp	SynLd	Analg	2
7	A07	Men In Yellow	S.EFX	Move	M.EFX	Move	4
8	A08	Metamorphosis	S.EFX	Move	NoAsg	NoAsg	2
9	A09	Perplex	S.EFX	Move	NoAsg	NoAsg	2
10	A10	Outer Planet	S.EFX	Move	NoAsg	NoAsg	2
11	A11	Industrial	S.EFX	Move	NoAsg	NoAsg	2
12	A12	Space Walking	S.EFX	Move	NoAsg	NoAsg	1
13	A13	Scraper	S.EFX	Move	NoAsg	NoAsg	1
14	A14	SE_02 <Zero Two>	S.EFX	Move	NoAsg	NoAsg	3
15	A15	Talking Machines	S.EFX	Move	NoAsg	NoAsg	2
16	A16	Tobi Mage	S.EFX	Move	NoAsg	NoAsg	3
17	B01	Bitzz MW	S.EFX	Move	NoAsg	NoAsg	1
18	B02	Thexism	S.EFX	Move	NoAsg	NoAsg	4
19	B03	In My Head	S.EFX	Move	NoAsg	NoAsg	4
20	B04	Toda	S.EFX	Ambie	NoAsg	NoAsg	3
21	B05	Water Tank	S.EFX	Ambie	NoAsg	NoAsg	3
22	B06	Auto Trapeze	S.EFX	Ambie	NoAsg	NoAsg	4
23	B07	Harpist's Nightmare	S.EFX	Ambie	NoAsg	NoAsg	2
24	B08	Find Newgt!	S.EFX	Ambie	NoAsg	NoAsg	4
25	B09	Nile River	S.EFX	Natur	NoAsg	NoAsg	1
26	B10	New Age Atmo	S.EFX	Natur	NoAsg	NoAsg	4
27	B11	Wind Blows	S.EFX	Natur	NoAsg	NoAsg	4
28	B12	Fire!	S.EFX	Natur	NoAsg	NoAsg	4
29	B13	Scratching Machine	S.EFX	SciFi	NoAsg	NoAsg	2
30	B14	Goa Psyche	S.EFX	SciFi	NoAsg	NoAsg	2
31	B15	Wait For Bad Weather	S.EFX	SciFi	NoAsg	NoAsg	3
32	B16	Reverse The Audio	S.EFX	SciFi	NoAsg	NoAsg	2
33	C01	Radio Static	S.EFX	SciFi	NoAsg	NoAsg	2
34	C02	Modifier X	S.EFX	SciFi	NoAsg	NoAsg	2
35	C03	Surveillance	S.EFX	SciFi	NoAsg	NoAsg	1
36	C04	Noise FX	S.EFX	SciFi	NoAsg	NoAsg	1
37	C05	Sample&Hold Vintage	S.EFX	SciFi	NoAsg	NoAsg	1
38	C06	Lazerzz	S.EFX	SciFi	NoAsg	NoAsg	2
39	C07	uhohrr	S.EFX	SciFi	NoAsg	NoAsg	2
40	C08	On The Fritz	S.EFX	SciFi	NoAsg	NoAsg	1
41	C09	Scratch Thing MW	S.EFX	Arp	NoAsg	NoAsg	1
42	C10	Trash Can Lid Band	S.EFX	Arp	Dr/Pc	Synth	4
43	C11	Piston Engine	S.EFX	Arp	NoAsg	NoAsg	3
44	C12	Waka Waka Noize	S.EFX	Arp	NoAsg	NoAsg	4
45	C13	Argentina	S.EFX	SciFi	M.EFX	Move	4
46	C14	Gate of Eden	M.EFX	Move	NoAsg	NoAsg	4
47	C15	Wave Journey	M.EFX	Move	NoAsg	NoAsg	8
48	C16	Whispering Ghosts	M.EFX	Move	NoAsg	NoAsg	4
49	D01	Nighttrain to Munich	M.EFX	Move	Pads	Brite	4
50	D02	Morning Dew	M.EFX	Move	Pads	Brite	4
51	D03	Calling Mr. Reso	M.EFX	Move	Pads	Brite	4
52	D04	2 Switches to Heaven	M.EFX	Move	Pads	Warm	4
53	D05	Cell Division	M.EFX	Move	Pads	Warm	1
54	D06	Jumping Needle	M.EFX	Move	S.EFX	Arp	1
55	D07	SEKAI-ISAN	M.EFX	Move	S.EFX	Move	4
56	D08	Setsunai AF2	M.EFX	Move	Pads	Warm	4
57	D09	Week End	M.EFX	Move	Pads	Warm	4
58	D10	Dragonfly	S.EFX	SciFi	M.EFX	Ambie	2
59	D11	TiRIPAD	M.EFX	Move	NoAsg	NoAsg	4
60	D12	Cluster	M.EFX	Move	NoAsg	NoAsg	4
61	D13	Xtreme Rezz	M.EFX	Move	Pads	Warm	4
62	D14	Bit Space	M.EFX	Move	Pads	Warm	3
63	D15	My Reality	M.EFX	Move	Pads	Warm	4
64	D16	Waterproof	M.EFX	Move	SyCmp	Arp	4

number	voice name	category 1		category 2		Element	
		Main	Sub	Main	Sub		
65	E01	Magnetics	M.EFX	Move	Pads	Warm	4
66	E02	Sand	M.EFX	Move	NoAsg	NoAsg	4
67	E03	Felicity	M.EFX	Move	Pads	Warm	4
68	E04	Vibrancy	M.EFX	Move	Pads	Warm	4
69	E05	Metallflake	M.EFX	Move	NoAsg	NoAsg	1
70	E06	Radio Venus	M.EFX	Move	Pads	Warm	4
71	E07	Elec Blue	M.EFX	Move	Pads	Warm	3
72	E08	Chyo Ethno	M.EFX	Move	NoAsg	NoAsg	4
73	E09	Metal Shaper	M.EFX	Move	SyCmp	Arp	1
74	E10	Calculator	M.EFX	Move	SyCmp	Arp	1
75	E11	konjoh BEAM	M.EFX	Move	NoAsg	NoAsg	4
76	E12	Blizzard	M.EFX	Ambie	NoAsg	NoAsg	2
77	E13	SINGING BOWL	M.EFX	Ambie	NoAsg	NoAsg	2
78	E14	Vektris	M.EFX	Ambie	S.EFX	Ambie	1
79	E15	Metalvox Pad	M.EFX	Ambie	S.EFX	SciFi	3
80	E16	Refraction	M.EFX	Ambie	S.EFX	Ambie	3
81	F01	Philanger	M.EFX	Ambie	S.EFX	SciFi	1
82	F02	Slippery Ambience	M.EFX	Move	NoAsg	NoAsg	1
83	F03	Ellipsotron	M.EFX	Move	S.EFX	Arp	2
84	F04	Envelope	M.EFX	Move	S.EFX	Ambie	3
85	F05	Whatsis	M.EFX	Ambie	Pads	Warm	3
86	F06	Pearl Collection	M.EFX	Ambie	NoAsg	NoAsg	4
87	F07	Four Dimensions	M.EFX	Ambie	Pads	Warm	1
88	F08	Hallucination	M.EFX	Ambie	NoAsg	NoAsg	1
89	F09	Arctic Sequence	M.EFX	Ambie	NoAsg	NoAsg	1
90	F10	Drifting	M.EFX	Ambie	NoAsg	NoAsg	4
91	F11	Electraid	M.EFX	Ambie	NoAsg	NoAsg	4
92	F12	Bed Time Story	M.EFX	Ambie	CPerc	Arp	2
93	F13	Clearing	M.EFX	Sweep	Pads	Brite	2
94	F14	Long HiPa	M.EFX	Sweep	Pads	Brite	4
95	F15	Quad Swell	M.EFX	Sweep	Pads	Warm	4
96	F16	New Stab	M.EFX	Hit	Pads	Brite	4
97	G01	Vinyl Hit	M.EFX	Hit	NoAsg	NoAsg	4
98	G02	Hit Me	M.EFX	Hit	String	Ensem	4
99	G03	Ambient Bite	M.EFX	Hit	NoAsg	NoAsg	4
100	G04	Green Valley	M.EFX	Arp	Pads	Analg	4
101	G05	Everlasting Glory	M.EFX	Arp	Pads	Arp	4
102	G06	Thinking of You	M.EFX	Arp	Pads	Analg	4
103	G07	Festival of Harmony	M.EFX	Arp	Pads	Arp	4
104	G08	Paris at Night	M.EFX	Arp	Pads	Warm	4
105	G09	On my Way to UK	M.EFX	Arp	String	Ensem	4
106	G10	Chillin' Ibiza	M.EFX	Arp	Pads	Warm	3
107	G11	Heavens Door	M.EFX	Arp	Pads	Warm	4
108	G12	Cocktail	M.EFX	Arp	Pads	Warm	2
109	G13	Vanilla	M.EFX	Arp	NoAsg	NoAsg	3
110	G14	Ibiza Groove	M.EFX	Arp	NoAsg	NoAsg	4
111	G15	Nylon Chill	M.EFX	Arp	Pads	Choir	4
112	G16	Xtreme Harp	M.EFX	Arp	NoAsg	NoAsg	3
113	H01	Trancing in the Rain	M.EFX	Arp	Pads	Brite	4
114	H02	Gated Detune	M.EFX	Arp	SyCmp	Arp	2
115	H03	Gated Choir	M.EFX	Arp	Pads	Arp	4
116	H04	Exotic	M.EFX	Arp	SyCmp	Analg	3
117	H05	Syncscraper	M.EFX	Arp	SyCmp	Digtl	2
118	H06	Ethnotic	M.EFX	Arp	NoAsg	NoAsg	3
119	H07	ComSat	M.EFX	Arp	SyCmp	Arp	2
120	H08	Investikator	M.EFX	Arp	Dr/Pc	Arp	1
121	H09	Monkey Bars	M.EFX	Arp	Dr/Pc	Arp	2
122	H10	Chilltrancer	M.EFX	Arp	Dr/Pc	Arp	2
123	H11	Random Beatz	M.EFX	Arp	Dr/Pc	Arp	1
124	H12	Electro Hood	M.EFX	Arp	Dr/Pc	Arp	2
125	H13	My Subwoofers	M.EFX	Arp	Dr/Pc	Arp	3
126	H14	Mister Sinister	M.EFX	Arp	Dr/Pc	Arp	2
127	H15	Polyrhythm	M.EFX	Arp	Dr/Pc	Arp	4
128	H16	Blood Flow	M.EFX	Arp	NoAsg	NoAsg	3

PRE8 (MSB=63, LSB=7)

number	voice name	category 1		category 2		Element	
		Main	Sub	Main	Sub		
1	A01	On The Verge	M.EFX	Arp	SyCmp	Arp	3
2	A02	Droid	M.EFX	Arp	NoAsg	NoAsg	2
3	A03	Worker Ant	M.EFX	Arp	NoAsg	NoAsg	4
4	A04	Chopp Lingo	M.EFX	Arp	SynLd	H Hop	2
5	A05	Vinyl Beatnik	M.EFX	Arp	NoAsg	NoAsg	4
6	A06	Drop Zone ARP	M.EFX	Arp	NoAsg	NoAsg	2
7	A07	Particle	M.EFX	Arp	NoAsg	NoAsg	2
8	A08	Simple Arp	M.EFX	Arp	NoAsg	NoAsg	1
9	A09	Cyber Cycle	M.EFX	Arp	NoAsg	NoAsg	1
10	A10	BollogPuls	M.EFX	Arp	NoAsg	NoAsg	4
11	A11	Octopus	M.EFX	Arp	CPerc	Arp	2
12	A12	Electronic Beatz	M.EFX	Arp	CPerc	Arp	1
13	A13	Dreamin' of You	M.EFX	Arp	Pads	Analg	4
14	A14	Brothers & Sisters	M.EFX	Arp	SyCmp	Arp	4
15	A15	Pizza No.1	M.EFX	Arp	NoAsg	NoAsg	3
16	A16	Electronix	M.EFX	Arp	NoAsg	NoAsg	2
17	B01	TekkNow	M.EFX	Arp	SyCmp	Arp	4
18	B02	Hollow Sequence	M.EFX	Arp	Pads	Warm	1
19	B03	Icicle	M.EFX	Arp	NoAsg	NoAsg	2
20	B04	Jegog	M.EFX	Arp	SyCmp	Arp	1
21	B05	Octo Strobe 1	M.EFX	Arp	SyCmp	Arp	1
22	B06	Octo Strobe 2	M.EFX	Arp	SyCmp	Arp	1
23	B07	Random Waves	M.EFX	Arp	SyCmp	Arp	1
24	B08	Semar	M.EFX	Arp	SyCmp	Arp	2
25	B09	Trailing Headlights	M.EFX	Arp	SyCmp	Arp	2
26	B10	Dream Winds	M.EFX	Arp	NoAsg	NoAsg	1
27	B11	Kemence	Ethnic	Bowed	String	Solo	2
28	B12	Kemen Wet	Ethnic	Bowed	String	Solo	3
29	B13	Yayli	Ethnic	Bowed	String	Ensem	4
30	B14	Kawala	Ethnic	Bowed	SaxWW	Flute	1
31	B15	Santur	Ethnic	Struk	NoAsg	NoAsg	2
32	B16	Baglama	Ethnic	Pluk	NoAsg	NoAsg	3
33	C01	Kotoun	Ethnic	Pluk	NoAsg	NoAsg	3
34	C02	Kanun	Ethnic	Pluk	NoAsg	NoAsg	2
35	C03	Bouzuki	Ethnic	Pluk	NoAsg	NoAsg	3
36	C04	Oud Tremolo Vel	Ethnic	Pluk	NoAsg	NoAsg	1
37	C05	SazFeeze	Ethnic	Pluk	NoAsg	NoAsg	3
38	C06	Where Am I?	Ethnic	Pluk	Pads	Warm	3
39	C07	Sakura	Ethnic	Pluk	Pads	Warm	3
40	C08	Nomad	Ethnic	Pluk	Pads	Warm	2
41	C09	Pluk-o-dy	Ethnic	Pluk	NoAsg	NoAsg	3
42	C10	Tambura	Ethnic	Pluk	NoAsg	NoAsg	2
43	C11	Sitar MW	Ethnic	Pluk	NoAsg	NoAsg	2
44	C12	Tabla Zone	Ethnic	Struk	Dr/Pc	Perc	1
45	C13	Udu	Ethnic	Struk	Dr/Pc	Perc	2
46	C14	Djembe	Ethnic	Struk	Dr/Pc	Perc	2
47	C15	Dhol	Ethnic	Struk	Dr/Pc	Perc	2
48	C16	Khol	Ethnic	Struk	Dr/Pc	Perc	3
49	D01	Ney	Ethnic	Blown	SaxWW	Flute	1
50	D02	Zurna	Ethnic	Blown	SaxWW	RPipe	1
51	D03	Pungi	Ethnic	Blown	SaxWW	RPipe	2
52	D04	Shehnai 1	Ethnic	Blown	SaxWW	RPipe	2
53	D05	Didgeridoo	Ethnic	Blown	SaxWW	RPipe	2
54	D06	Snake Charmer	Ethnic	Blown	NoAsg	NoAsg	4
55	D07	Mythic Flute	Ethnic	Blown	SaxWW	RPipe	4
56	D08	Ethnology	Ethnic	Arp	Dr/Pc	Perc	4
57	D09	Oztralian	Ethnic	Arp	M.EFX	Arp	2
58	D10	8Z Destruct	Dr/Pc	Arp	NoAsg	NoAsg	2
59	D11	8Z Jarrin	Dr/Pc	Arp	NoAsg	NoAsg	2
60	D12	8Z Romps	Dr/Pc	Arp	NoAsg	NoAsg	2
61	D13	8Z Glitch	Dr/Pc	Arp	NoAsg	NoAsg	2
62	D14	8Z Oxidized	Dr/Pc	Arp	NoAsg	NoAsg	2
63	D15	8Z D&B Machine	Dr/Pc	Arp	NoAsg	NoAsg	2
64	D16	8Z Down Tempo	Dr/Pc	Arp	NoAsg	NoAsg	2

number	voice name	category 1		category 2		Element	
		Main	Sub	Main	Sub		
65	E01	8Z Early Lo-Fi	Dr/Pc	Arp	NoAsg	NoAsg	1
66	E02	8Z Noize Xpress	Dr/Pc	Arp	NoAsg	NoAsg	1
67	E03	8Z Trance Basics	Dr/Pc	Arp	NoAsg	NoAsg	1
68	E04	8Z Reverse Beatz	Dr/Pc	Arp	NoAsg	NoAsg	1
69	E05	8Z Crush Dance	Dr/Pc	Arp	NoAsg	NoAsg	1
70	E06	8Z Heavy Hearts	Dr/Pc	Arp	NoAsg	NoAsg	1
71	E07	8Z Chilly Breakz	Dr/Pc	Arp	NoAsg	NoAsg	1
72	E08	8Z Gated Beatz	Dr/Pc	Arp	NoAsg	NoAsg	1
73	E09	8Z Hip Hop Shakers	Dr/Pc	Arp	NoAsg	NoAsg	1
74	E10	8Z Blip Hop	Dr/Pc	Arp	NoAsg	NoAsg	1
75	E11	8Z Nasty Glitch	Dr/Pc	Arp	NoAsg	NoAsg	2
76	E12	8Z Scratch	Dr/Pc	Arp	NoAsg	NoAsg	1
77	E13	8Z Tod	Dr/Pc	Arp	NoAsg	NoAsg	1
78	E14	8Z Psychedelic 1	Dr/Pc	Arp	NoAsg	NoAsg	2
79	E15	8Z Psychedelic 2	Dr/Pc	Arp	NoAsg	NoAsg	2
80	E16	8Z Dub Element	Dr/Pc	Arp	NoAsg	NoAsg	2
81	F01	Mega Nylon	Guitar	A.Gtr	Guitar	Arp	2
82	F02	Mega Steel	Guitar	A.Gtr	Guitar	Arp	2
83	F03	Mega 12 Steel	Guitar	A.Gtr	Guitar	Arp	4
84	F04	Mega 60s Clean	Guitar	E.Cln	Guitar	Arp	1
85	F05	Mega 60s Chorus-Combo	Guitar	E.Cln	Guitar	Arp	1
86	F06	Mega 60s Tremolo	Guitar	E.Cln	Guitar	Arp	1
87	F07	Mega 60s Blues Tone	Guitar	E.Cln	Guitar	Arp	1
88	F08	Mega 60s Phaser	Guitar	E.Cln	Guitar	Arp	1
89	F09	Mega 60s Tube Tone	Guitar	E.Dst	Guitar	Arp	1
90	F10	Mega 60s Dist Stack	Guitar	E.Dst	Guitar	Arp	1
91	F11	Mega 60s Road House	Guitar	E.Dst	Guitar	Arp	1
92	F12	Mega 60s Small Blues	Guitar	E.Cln	Guitar	Arp	1
93	F13	Mega 60s Pedal Wah	Guitar	E.Dst	Guitar	Arp	1
94	F14	Mega 60s VCM T.Wah	Guitar	E.Dst	Guitar	Arp	1
95	F15	Mega 60s T.Wah&Dist	Guitar	E.Dst	Guitar	Arp	1
96	F16	Mega 60s Jet Flanger	Guitar	E.Dst	Guitar	Arp	1
97	G01	Mega 1coil Clean	Guitar	E.Cln	Guitar	Arp	1
98	G02	Mega 1coil Chorus	Guitar	E.Cln	Guitar	Arp	1
99	G03	Mega 1coil Tremolo	Guitar	E.Cln	Guitar	Arp	1
100	G04	Mega 1coil BluesTone	Guitar	E.Cln	Guitar	Arp	1
101	G05	Mega 1coil Phaser	Guitar	E.Cln	Guitar	Arp	1
102	G06	Mega 1coil Tube Tone	Guitar	E.Cln	Guitar	Arp	1
103	G07	Mega 1coil Tube Amp1	Guitar	E.Dst	Guitar	Arp	1
104	G08	Mega 1coil Tube Amp2	Guitar	E.Dst	Guitar	Arp	1
105	G09	Mega 1coil Roadhouse	Guitar	E.Dst	Guitar	Arp	1
106	G10	Mega 1coil VCM T.Wah	Guitar	E.Cln	Guitar	Arp	1
107	G11	Mega 60s Clean Delay	Guitar	E.Cln	Guitar	Arp	1
108	G12	Mega 60s Slap Clean	Guitar	E.Cln	NoAsg	NoAsg	1
109	G13	Mega 60s Slap Dist	Guitar	E.Cln	NoAsg	NoAsg	1
110	G14	Mega 1coil SlapClean	Guitar	E.Cln	Guitar	Arp	1
111	G15	Mega 1coil Slap Dist	Guitar	E.Dst	Guitar	Arp	1
112	G16	Mega 1coilSlpPedalWah	Guitar	E.Cln	Guitar	Arp	1
113	H01	Mega Ovdr Distortion	Guitar	E.Dst	Guitar	Arp	2
114	H02	Mega Ovdr Fuzz	Guitar	E.Dst	Guitar	Arp	2
115	H03	Mega Acoustic Bass	Bass	EBass	Bass	Arp	1
116	H04	Mega Finger+Harmonic	Bass	EBass	Bass	Arp	1
117	H05	Mega Fretless Bass	Bass	EBass	Bass	Arp	1
118	H06	Mega Pick Open Amped	Bass	EBass	Bass	Arp	1
119	H07	Mega Pick Mute Amped	Bass	EBass	Bass	Arp	1
120	H08	Mega Slap Bass	Bass	EBass	Bass	Arp	1
121	H09	Mega Finger+Slap	Bass	EBass	Bass	Arp	1
122	H10	Mega Finger+Pull Amp	Bass	EBass	Bass	Arp	1
123	H11	Mega Pick Open Mute	Bass	EBass	Bass	Arp	1
124	H12	Mega Pick OpMt Dark	Bass	EBass	Bass	Arp	1
125	H13	Vocoder with Delay	Pads	Choir	NoAsg	NoAsg	4
126	H14	Funky Vocoder	SynLd	Analg	Pads	Choir	4
127	H15	Vocoder Pad 1	Pads	Choir	NoAsg	NoAsg	5
128	H16	Vocoder Pad 2	Pads	Choir	NoAsg	NoAsg	4

USR1 (MSB=63, LSB=8)

USR2 (MSB=63, LSB=9)

USR3 (MSB=63, LSB=10)

Any of the Preset Voices is pre-stored to each voice number of the User Banks.

GM (MSB=0, LSB=0)

Number	Voice Name	Category 1		Category 2		Element	
		Main	Sub	Main	Sub		
1	A01	Concert Grand Piano	Piano	APno	NoAsg	NoAsg	2
2	A02	Rock Brite Piano	Piano	APno	NoAsg	NoAsg	1
3	A03	CP 2007	Piano	Vintg	NoAsg	NoAsg	1
4	A04	Honkytonk	Piano	APno	NoAsg	NoAsg	4
5	A05	E.Piano 1	Keys	EP	NoAsg	NoAsg	1
6	A06	E.Piano 2	Keys	FM	NoAsg	NoAsg	2
7	A07	Harpsichord	Keys	Clavi	NoAsg	NoAsg	1
8	A08	Brite Clavi	Keys	Clavi	NoAsg	NoAsg	1
9	A09	Celesta	CPerc	Malet	NoAsg	NoAsg	1
10	A10	Glocken	CPerc	Malet	NoAsg	NoAsg	1
11	A11	Music Box	CPerc	Bell	NoAsg	NoAsg	3
12	A12	Vibes	CPerc	Malet	NoAsg	NoAsg	2
13	A13	Marimba	CPerc	Malet	NoAsg	NoAsg	2
14	A14	Xylophone	CPerc	Malet	NoAsg	NoAsg	2
15	A15	Tubular Bell	CPerc	Bell	NoAsg	NoAsg	3
16	A16	Dulcimer	CPerc	PDrum	NoAsg	NoAsg	2
17	B01	Draw Organ	Organ	TnWhl	NoAsg	NoAsg	2
18	B02	Percussive Organ	Organ	TnWhl	NoAsg	NoAsg	2
19	B03	Rock Organ	Organ	TnWhl	NoAsg	NoAsg	2
20	B04	Church Organ	Organ	Pipe	NoAsg	NoAsg	3
21	B05	Reed Organ	Organ	Pipe	NoAsg	NoAsg	2
22	B06	Accordion	Organ	Pipe	NoAsg	NoAsg	1
23	B07	Harmonica	SaxWW	RPipe	NoAsg	NoAsg	1
24	B08	Tango Accordion	Organ	Pipe	NoAsg	NoAsg	1
25	B09	Nylon Guitar	Guitar	A.Gtr	NoAsg	NoAsg	2
26	B10	Steel Guitar	Guitar	A.Gtr	NoAsg	NoAsg	2
27	B11	Jazz Guitar	Guitar	E.Cln	NoAsg	NoAsg	2
28	B12	Clean Guitar	Guitar	E.Cln	NoAsg	NoAsg	1
29	B13	Mute Guitar	Guitar	E.Cln	NoAsg	NoAsg	1
30	B14	Overdrive Guitar	Guitar	E.Dst	NoAsg	NoAsg	2
31	B15	Distortion Guitar	Guitar	E.Dst	NoAsg	NoAsg	2
32	B16	Guitar Harmonics	Guitar	E.Dst	NoAsg	NoAsg	2
33	C01	Acoustic Bass	Bass	ABass	NoAsg	NoAsg	1
34	C02	Finger Bass	Bass	EBass	NoAsg	NoAsg	2
35	C03	Pick Bass	Bass	EBass	NoAsg	NoAsg	2
36	C04	Fretless Bass	Bass	EBass	NoAsg	NoAsg	1
37	C05	Slap Bass 1	Bass	EBass	NoAsg	NoAsg	1
38	C06	Slap Bass 2 vel	Bass	EBass	NoAsg	NoAsg	1
39	C07	Synth Bass 1	Bass	SynBs	NoAsg	NoAsg	2
40	C08	Synth Bass 2	Bass	SynBs	NoAsg	NoAsg	2
41	C09	Violin	String	Solo	NoAsg	NoAsg	3
42	C10	Viola	String	Solo	NoAsg	NoAsg	3
43	C11	Cello	String	Solo	NoAsg	NoAsg	2
44	C12	Contrabass	String	Solo	NoAsg	NoAsg	2
45	C13	Tremolo Strings 2	String	Ensem	NoAsg	NoAsg	2
46	C14	Pizzicato	String	Pizz	NoAsg	NoAsg	2
47	C15	Harp	String	Pizz	NoAsg	NoAsg	1
48	C16	Timpani + Cymbal	CPerc	PDrum	NoAsg	NoAsg	4
49	D01	Strings Section 1	String	Ensem	NoAsg	NoAsg	2
50	D02	Strings Section 2	String	Ensem	NoAsg	NoAsg	2
51	D03	Synth Strings 1	String	Synth	NoAsg	NoAsg	3
52	D04	Synth Strings 2	String	Synth	NoAsg	NoAsg	3
53	D05	Aah Choir	Pads	Choir	NoAsg	NoAsg	2
54	D06	Ooh Choir	Pads	Choir	NoAsg	NoAsg	2
55	D07	Syn Voice	Pads	Choir	NoAsg	NoAsg	3
56	D08	Orchestra Hit	M.EFX	Hit	NoAsg	NoAsg	4
57	D09	Trumpet 2	Brass	Solo	NoAsg	NoAsg	1
58	D10	Trombone 2	Brass	Solo	NoAsg	NoAsg	1
59	D11	Tuba	Brass	Solo	NoAsg	NoAsg	1
60	D12	Mute Trumpet	Brass	Solo	NoAsg	NoAsg	1
61	D13	French Horns	Brass	Orche	NoAsg	NoAsg	2
62	D14	Brass Section	Brass	BrsEn	NoAsg	NoAsg	3
63	D15	Synth Brass 1	Brass	Synth	NoAsg	NoAsg	3
64	D16	Synth Brass 2	Brass	Synth	NoAsg	NoAsg	3

Number	Voice Name	Category 1		Category 2		Element	
		Main	Sub	Main	Sub		
65	E01	Soprano Sax	SaxWW	Sax	NoAsg	NoAsg	3
66	E02	Alto Sax	SaxWW	Sax	NoAsg	NoAsg	1
67	E03	Tenor Sax	SaxWW	Sax	NoAsg	NoAsg	2
68	E04	Baritone Sax	SaxWW	Sax	NoAsg	NoAsg	1
69	E05	Oboe 2	SaxWW	RPipe	NoAsg	NoAsg	2
70	E06	English Horn	SaxWW	RPipe	NoAsg	NoAsg	1
71	E07	Bassoon 2	SaxWW	RPipe	NoAsg	NoAsg	2
72	E08	Clarinet 2	SaxWW	RPipe	NoAsg	NoAsg	3
73	E09	Piccolo	SaxWW	Flute	NoAsg	NoAsg	1
74	E10	Flute	SaxWW	Flute	NoAsg	NoAsg	2
75	E11	Recorder	SaxWW	WWind	NoAsg	NoAsg	1
76	E12	Panflute	SaxWW	Flute	NoAsg	NoAsg	1
77	E13	Bottle	SaxWW	Flute	NoAsg	NoAsg	2
78	E14	Shakuhachi	SaxWW	Flute	NoAsg	NoAsg	2
79	E15	Whistle	SaxWW	WWind	NoAsg	NoAsg	2
80	E16	Ocarina	SaxWW	WWind	NoAsg	NoAsg	2
81	F01	Square Lead	SynLd	Analg	NoAsg	NoAsg	2
82	F02	Saw Lead	SynLd	Analg	NoAsg	NoAsg	2
83	F03	Calliope Lead	SynLd	Analg	NoAsg	NoAsg	2
84	F04	Chiff Lead	SynLd	Analg	NoAsg	NoAsg	1
85	F05	Charan Lead	SynLd	Digitl	NoAsg	NoAsg	2
86	F06	Voice Lead	SynLd	Analg	Pads	Choir	4
87	F07	Fifth Lead	SynLd	Analg	NoAsg	NoAsg	2
88	F08	Bass & Lead	SynLd	Analg	Bass	SynBs	1
89	F09	New Age Pad	Pads	Brite	NoAsg	NoAsg	2
90	F10	Warm Pad	Pads	Warm	NoAsg	NoAsg	2
91	F11	Poly Synth Pad	Pads	Analg	SyCmp	Analg	2
92	F12	Choir Pad	Pads	Choir	NoAsg	NoAsg	3
93	F13	Bowed Pad	Pads	Warm	NoAsg	NoAsg	2
94	F14	Metal Pad	Pads	Brite	NoAsg	NoAsg	2
95	F15	Halo Pad	Pads	Brite	NoAsg	NoAsg	2
96	F16	Sweep Pad	Pads	Brite	NoAsg	NoAsg	4
97	G01	Rain Pad	M.EFX	Move	NoAsg	NoAsg	2
98	G02	Sound Track	Pads	Brite	NoAsg	NoAsg	3
99	G03	Crystal	CPerc	Bell	SyCmp	Digitl	3
100	G04	Atmosphere	Pads	Warm	NoAsg	NoAsg	3
101	G05	Brightness	SyCmp	Digitl	NoAsg	NoAsg	2
102	G06	Goblin	M.EFX	Sweep	NoAsg	NoAsg	2
103	G07	Echoes	M.EFX	Move	Pads	Brite	3
104	G08	Sci-Fi	Pads	Brite	NoAsg	NoAsg	2
105	G09	Sitar	Ethnic	Pluk	NoAsg	NoAsg	1
106	G10	Banjo	Ethnic	Pluk	NoAsg	NoAsg	1
107	G11	Shamisen	Ethnic	Pluk	NoAsg	NoAsg	1
108	G12	Koto	Ethnic	Pluk	NoAsg	NoAsg	2
109	G13	Kalimba	CPerc	Malet	NoAsg	NoAsg	2
110	G14	Bagpipe	SaxWW	RPipe	NoAsg	NoAsg	2
111	G15	Fiddle	Ethnic	Bowed	NoAsg	NoAsg	2
112	G16	Shehnai 2	SaxWW	WWind	NoAsg	NoAsg	1
113	H01	Tinkle Bell	CPerc	Bell	NoAsg	NoAsg	2
114	H02	Agogo	Dr/Pc	Perc	CPerc	Bell	1
115	H03	Steel Drum	CPerc	PDrum	NoAsg	NoAsg	2
116	H04	Woodblock	Dr/Pc	Perc	NoAsg	NoAsg	1
117	H05	Taiko Drum	Dr/Pc	Perc	NoAsg	NoAsg	2
118	H06	Melodic Tom	Dr/Pc	Drums	NoAsg	NoAsg	1
119	H07	Synth Drum	Dr/Pc	Drums	NoAsg	NoAsg	1
120	H08	Reverse Cymbal	S.EFX	Move	NoAsg	NoAsg	1
121	H09	Fret Noise	S.EFX	Natur	NoAsg	NoAsg	2
122	H10	Breath Noiz	S.EFX	Natur	NoAsg	NoAsg	1
123	H11	Seashore	S.EFX	Natur	NoAsg	NoAsg	2
124	H12	Tweet	S.EFX	Natur	NoAsg	NoAsg	1
125	H13	Telephone	S.EFX	Natur	NoAsg	NoAsg	1
126	H14	Helicopter	S.EFX	Natur	NoAsg	NoAsg	2
127	H15	Applause	S.EFX	Natur	NoAsg	NoAsg	2
128	H16	Gunshot	S.EFX	Natur	NoAsg	NoAsg	1

Drum Voice List

Drum Voice Name List

Preset (MSB=63, LSB=32)

Pre No.	Voice Name	
1	Power Standard Kit 1	
2	Power Standard Kit 2	
3	Hyper Standard Kit	
4	Dry Standard Kit	
5	Modern Rock Kit	
6	Rock Stereo Kit 1	
7	Rock Stereo Kit 2	
8	Nu Hip Hop Kit 1	
9	Nu Hip Hop Kit 2	
10	Hip Hop Kit 1	
11	Hip Hop Kit 2	
12	Hip Hop Kit 3	
13	Hip Hop Kit 5	
14	Hip Stick Kit 1	
15	Hip Stick Kit 2	
16	R&B Kit 1	
17	R&B Kit 2	
18	R&B Kit 3	
19	Trance Kit	
20	Psychedelic Kit	
21	Chill Out Kit	
22	Brush Kit	
23	Jazz Kit	
24	Pop Latin Kit	
25	Analog T9 Kit	
26	Analog T8 Kit	
27	Tekno Kit	
28	House Kit 1	
29	House Kit 2	
30	House Compressed Kit	
31	Big Kit	
32	Break Kit	
33	Drum'n'Bass Kit	
34	Acid Kit	
35	Jungle Kit	
36	Electric Kit	
37	Human Kit	
38	Hard Kit	
39	Distorted Kit	
40	Ambient Kit	
41	Garage Kit	
42	Synth Pop Kit	
43	Orchestra Kit	
44	Drum Machines Kit	
45	Rock Multiple Kits	
46	HipHop Multiple Kits	
47	Percussion Kit	
48	Latin Percussion Kit	
49	Guitar/Bass FX Kit	
50	Wacko Kit	
51	Wood Bits Kit	
52	Metal Bits Kit	
53	Hands Kit	
54	Scratches	
55	Acoustic Snares	
56	GroupedStereo Snares	
57	All Kicks	
58	Dance Kicks	
59	Arabic Mixed Kit	
60	Belly Dance Kit	
61	Dance Snares	
62	Special SFXs	
63	Synthetic Kit	
64	SFX Kit	

These drum kits have been specially programmed for different music styles, yet closely follow the standard instrument order of the GM kit.

These original drum kits, programmed for the MOTIF XS, feature a special non-standard order for ease in playing.

These original kits feature a variety of instruments and special sound effects, and are grouped according to their type.

GM (MSB=127, LSB=0)

GM Drum No.	Voice Name	
1	Stereo GM Kit	

Drum Kit Assign List

PRE 1 Power Standard Kit 1

Note	Wave Number	Wave Name
C0	1449	Clave
C#0	2046	Sd Brush Soft St
D0	2058	Sd Brush Swir St
D#0	2049	Sd Brush Med St
E0	2061	Sd Brush SwirAtt St
F0	2042	Sd LiveRoll St
F#0	1448	Castanet
G0	1993	Sd PowerD 1St
G#0	1446	Stick1
A0	1595	Bd PowerB 1-2St
A#0	2005	Sd PowerD 5St
B0	1586	Bd PowerA 1-2St
C1	1574	Bd Jazz1-2St
C#1	1963	Sd PowerB SSt
D1	1966	Sd PowerC 1-5St
D#1	1456	HandClap St
E1	1987	Sd PowerD 1-5St
F1	2415	Tom Power05 1-2St
F#1	2273	HH Power CIP Tip 1-4St
G1	2415	Tom Power05 1-2St
G#1	2313	HH Power CIPedal St
A1	2403	Tom Power04 1-2St
A#1	2317	HH Power Open EdgeSt
B1	2391	Tom Power03 1-2St
C2	2391	Tom Power03 1-2St
C#2	2461	Crash2 St
D2	2379	Tom Power01 1-2St
D#2	2485	Ride1 St
E2	2512	China St
F2	2493	Ride Cup1 St
F#2	1419	Tambourine1 Sw
G2	2517	Splash St
G#2	1462	Cowbell2
A2	2464	Crash2 RL
A#2	1451	Vibraslap
B2	2489	Ride2 St
C3	1363	Bongo Hi 1Finger 1-2
C#3	1373	Bongo Lo 1Finger 1-2
D3	1343	Conga Hi SlapMute1-2
D#3	1337	Conga Hi Open 1-2
E3	1348	Conga Lo Open 1-2
F3	1381	Timbale Hi1-3
F#3	1385	Timbale Lo1-2
G3	1429	Agogo Hi
G#3	1430	Agogo Lo
A3	1399	Cabasa1-2
A#3	1397	Maracas Slur
B3	1452	Whistle
C4	1452	Whistle
C#4	1433	Guiro Short
D4	1432	Guiro Long
D#4	1449	Clave
E4	1450	Wood Block
F4	1450	Wood Block
F#4	1362	Cuica Hi
G4	1361	Cuica Lo
G#4	1455	Triangle Mute
A4	1454	Triangle Open
A#4	1405	Shaker 1/3
B4	1467	Sleigh Bell
C5	1468	Wind Chime
C#5	1682	Sd Bld St1-4
D5	1841	Sd Blues 3St
D#5	1885	Sd Hip St1-2
E5	1782	Sd Funk St1-3
F5	1702	Sd Soul St1-4
F#5	2010	Sd LdwHMono
G5	2013	Sd Heavy
G#5	1865	Sd Tight St1-4
A5	1850	Sd BluesHeart St1-3
A#5	1500	Bd Snap 1-2
B5	1509	Bd Tight 1-2
C6	1536	Bd Funk St1-2

PRE 2 Power Standard Kit 2

Note	Wave Number	Wave Name
C0	1449	Clave
C#0	2046	Sd Brush Soft St
D0	2058	Sd Brush Swir St
D#0	2049	Sd Brush Med St
E0	2061	Sd Brush SwirAtt St
F0	2042	Sd LiveRoll St
F#0	1448	Castanet
G0	1927	Sd PowerA 1St
G#0	1446	Stick1
A0	1595	Bd PowerB 1-2St
A#0	1939	Sd PowerA 5St
B0	1586	Bd PowerA 1-2St
C1	1574	Bd Jazz1-2St
C#1	1963	Sd PowerB SSt
D1	1942	Sd PowerB 1-5St
D#1	1456	HandClap St
E1	1921	Sd PowerA 1-5St
F1	2415	Tom Power05 1-2St
F#1	2293	HH Power CIEgde1-4St
G1	2415	Tom Power05 1-2St
G#1	2313	HH Power CIPedal St
A1	2403	Tom Power04 1-2St
A#1	2317	HH Power Open EdgeSt
B1	2391	Tom Power03 1-2St
C2	2391	Tom Power03 1-2St
C#2	2461	Crash2 St
D2	2379	Tom Power01 1-2St
D#2	2485	Ride1 St
E2	2512	China St
F2	2493	Ride Cup1 St
F#2	1419	Tambourine1 Sw
G2	2517	Splash St
G#2	1462	Cowbell2
A2	2464	Crash2 RL
A#2	1451	Vibraslap
B2	2489	Ride2 St
C3	1363	Bongo Hi 1Finger 1-2
C#3	1373	Bongo Lo 1Finger 1-2
D3	1343	Conga Hi SlapMute1-2
D#3	1337	Conga Hi Open 1-2
E3	1348	Conga Lo Open 1-2
F3	1381	Timbale Hi1-3
F#3	1385	Timbale Lo1-2
G3	1429	Agogo Hi
G#3	1430	Agogo Lo
A3	1399	Cabasa1-2
A#3	1397	Maracas Slur
B3	1452	Whistle
C4	1452	Whistle
C#4	1433	Guiro Short
D4	1432	Guiro Long
D#4	1449	Clave
E4	1450	Wood Block
F4	1450	Wood Block
F#4	1362	Cuica Hi
G4	1361	Cuica Lo
G#4	1455	Triangle Mute
A4	1454	Triangle Open
A#4	1405	Shaker 1/3
B4	1467	Sleigh Bell
C5	1468	Wind Chime
C#5	1682	Sd Bld St1-4
D5	1841	Sd Blues 3St
D#5	1885	Sd Hip St1-2
E5	1782	Sd Funk St1-3
F5	1702	Sd Soul St1-4
F#5	2010	Sd LdwHMono
G5	2013	Sd Heavy
G#5	1865	Sd Tight St1-4
A5	1850	Sd BluesHeart St1-3
A#5	1500	Bd Snap 1-2
B5	1509	Bd Tight 1-2
C6	1536	Bd Funk St1-2

PRE 3 Hyper Standard Kit

Note	Wave Number	Wave Name
C0	1449	Clave
C#0	2046	Sd Brush Soft St
D0	2058	Sd Brush Swir St
D#0	2049	Sd Brush Med St
E0	2061	Sd Brush SwirAtt St
F0	2042	Sd LiveRoll St
F#0	1448	Castanet
G0	1768	Sd Normal 1St
G#0	1446	Stick1
A0	1557	Bd Funk Son St
A#0	1800	Sd Basic St1-3
B0	1501	Bd Snap 1
C1	1551	Bd H Son St
C#1	2031	Sd Closed Rim St
D1	1815	Sd SonA St1-4
D#1	1469	Clap T9
E1	1865	Sd Tight St1-4
F1	2363	Tom Floor St
F#1	2222	HH Closed Foot St
G1	2363	Tom Floor St
G#1	2226	HH Half Open2 St
A1	2359	Tom Low St
A#1	2230	HH Open2 St
B1	2359	Tom Low St
C2	2355	Tom Mid St
C#2	2464	Crash2 RL
D2	2351	Tom Hi St
D#2	2485	Ride1 St
E2	2512	China St
F2	2493	Ride Cup1 St
F#2	1419	Tambourine1 Sw
G2	2517	Splash St
G#2	1462	Cowbell2
A2	2464	Crash2 RL
A#2	1451	Vibraslap
B2	2488	Ride1 RL
C3	1363	Bongo Hi 1Finger 1-2
C#3	1376	Bongo Lo 3Finger 1-2
D3	1335	Conga Hi Tip
D#3	1339	Conga Hi Open 2
E3	1357	Tumba Open
F3	1381	Timbale Hi1-3
F#3	1385	Timbale Lo1-2
G3	1429	Agogo Hi
G#3	1430	Agogo Lo
A3	1399	Cabasa1-2
A#3	1397	Maracas Slur
B3	1452	Whistle
C4	1452	Whistle
C#4	1433	Guiro Short
D4	1432	Guiro Long
D#4	1449	Clave
E4	1450	Wood Block
F4	1450	Wood Block
F#4	1362	Cuica Hi
G4	1361	Cuica Lo
G#4	1455	Triangle Mute
A4	1454	Triangle Open
A#4	1406	Shaker 1
B4	1467	Sleigh Bell
C5	1468	Wind Chime
C#5	1682	Sd Bld St1-4
D5	1835	Sd Blues St1-3
D#5	1858	Sd BluesHeart R1-3
E5	1885	Sd Hip St1-2
F5	1762	Sd Normal St1-4
F#5	2010	Sd LdwHMono
G5	1703	Sd Soul St1-3
G#5	2013	Sd Heavy
A5	1786	Sd Funk 1St
A#5	1528	Bd Normal 1St
B5	1557	Bd Funk Son St
C6	1500	Bd Snap 1-2

PRE 4 Dry Standard Kit

Note	Wave Number	Wave Name
C0	1449	Clave
C#0	2046	Sd Brush Soft St
D0	2058	Sd Brush Swir St
D#0	2049	Sd Brush Med St
E0	2061	Sd Brush SwirAtt St
F0	2042	Sd LiveRoll St
F#0	1448	Castanet
G0	1768	Sd Normal 1St
G#0	1446	Stick1
A0	1536	Bd Funk St1-2
A#0	1802	Sd Basic St2-3
B0	1545	Bd High St
C1	1527	Bd Normal St1-2
C#1	2031	Sd Closed Rim St
D1	1762	Sd Normal St1-4
D#1	1469	Clap T9
E1	1801	Sd Basic St1-2
F1	2363	Tom Floor St
F#1	2174	HH Closed 1-4St
G1	2363	Tom Floor St
G#1	2197	HH Pedal 3 St
A1	2359	Tom Low St
A#1	2210	HH Open 1-2St
B1	2359	Tom Low St
C2	2355	Tom Mid St
C#2	2464	Crash2 RL
D2	2351	Tom Hi St
D#2	2485	Ride1 St
E2	2512	China St
F2	2493	Ride Cup1 St
F#2	1419	Tambourine1 Sw
G2	2517	Splash St
G#2	1462	Cowbell2
A2	2464	Crash2 RL
A#2	1451	Vibraslap
B2	2488	Ride1 RL
C3	1363	Bongo Hi 1Finger 1-2
C#3	1376	Bongo Lo 3Finger 1-2
D3	1341	Conga Hi Slip Open
D#3	1339	Conga Hi Open 2
E3	1357	Tumba Open
F3	1381	Timbale Hi1-3
F#3	1385	Timbale Lo1-2
G3	1429	Agogo Hi
G#3	1430	Agogo Lo
A3	1399	Cabasa1-2
A#3	1397	Maracas Slur
B3	1452	Whistle
C4	1452	Whistle
C#4	1433	Guiro Short
D4	1432	Guiro Long
D#4	1449	Clave
E4	1450	Wood Block
F4	1450	Wood Block
F#4	1362	Cuica Hi
G4	1361	Cuica Lo
G#4	1455	Triangle Mute
A4	1454	Triangle Open
A#4	1406	Shaker 1
B4	1467	Sleigh Bell
C5	1468	Wind Chime
C#5	1682	Sd Bld St1-4
D5	1842	Sd Blues L1-3
D#5	1885	Sd Hip St1-2
E5	1782	Sd Funk St1-3
F5	1704	Sd Soul St2-4
F#5	2010	Sd LdwHMono
G5	2013	Sd Heavy
G#5	1865	Sd Tight St1-4
A5	1853	Sd BluesHeart St1/3
A#5	1500	Bd Snap 1-2
B5	1509	Bd Tight 1-2
C6	1536	Bd Funk St1-2

PRE 5 Modern Rock Kit

Note	Wave Number	Wave Name
C0	1449	Clave
C#0	2046	Sd Brush Soft St
D0	2058	Sd Brush Swir St
D#0	2049	Sd Brush Med St
E0	2061	Sd Brush SwirAtt St
F0	2042	Sd LiveRoll St
F#0	1448	Castanet
G0	1896	Sd Rock Open1 R
G#0	1446	Stick1
A0	1571	Bd Room1
A#0	1751	Sd Rng St4
B0	1580	Bd Jazz2St
C1	1573	Bd Room3
C#1	2018	Sd Rock Stick2 St
D1	1722	Sd Strong St1-4
D#1	1493	HipHop clap6
E1	1921	Sd PowerA 1-5St
F1	2363	Tom Floor St
F#1	2234	HH Closed Rock Sw St
G1	2359	Tom Low St
G#1	2262	HH Half Open Rock St
A1	2359	Tom Low St
A#1	2260	HH Open Rock St
B1	2355	Tom Mid St
C2	2355	Tom Mid St
C#2	2460	Crash1 RL
D2	2351	Tom Hi St
D#2	2489	Ride2 St
E2	2512	China St
F2	2505	Ride Cup2 St
F#2	1419	Tambourine1 Sw
G2	2517	Splash St
G#2	1462	Cowbell2
A2	2457	Crash1 St
A#2	1451	Vibraslap
B2	2496	Ride Cup1 RL
C3	1363	Bongo Hi 1Finger 1-2
C#3	1376	Bongo Lo 3Finger 1-2
D3	1335	Conga Hi Tip
D#3	1339	Conga Hi Open 2
E3	1357	Tumba Open
F3	1381	Timbale Hi1-3
F#3	1385	Timbale Lo1-2
G3	1429	Agogo Hi
G#3	1430	Agogo Lo
A3	1399	Cabasa1-2
A#3	1397	Maracas Slur
B3	1452	Whistle
C4	1452	Whistle
C#4	1433	Guiro Short
D4	1432	Guiro Long
D#4	1449	Clave
E4	1450	Wood Block
F4	1450	Wood Block
F#4	1362	Cuica Hi
G4	1361	Cuica Lo
G#4	1455	Triangle Mute
A4	1454	Triangle Open
A#4	1406	Shaker 1
B4	1467	Sleigh Bell
C5	1468	Wind Chime
C#5	1838	Sd Blues St1/3
D5	1865	Sd Tight St1-4
D#5	1858	Sd BluesHeart R1-3
E5	1876	Sd Tight R1-4
F5	1548	Bd Low St
F#5	1981	Sd PowerC 4St
G5	1633	Bd R&B1
G#5	1942	Sd PowerB 1-5St
A5	1571	Bd Room1
A#5	1921	Sd PowerA 1-5St
B5	1557	Bd Funk Son St
C6	1572	Bd Room2

PRE 6 Rock Stereo Kit 1

Note	Wave Number	Wave Name
C0	1487	Analog Click
C#0	2046	Sd Brush Soft St
D0	2058	Sd Brush Swir St
D#0	2049	Sd Brush Med St
E0	2061	Sd Brush SwirAtt St
F0	2036	Sd RockRoll St
F#0	1448	Castanet
G0	1903	Sd Rock Open2 St
G#0	1446	Stick1
A0	1573	Bd Room3
A#0	1900	Sd Rock Rim1 St
B0	1563	Bd Rock2 St
C1	1560	Bd Rock1 St
C#1	2015	Sd Rock Stick1 St
D1	1894	Sd Rock Open1 St
D#1	1490	HipHop clap3
E1	1897	Sd Rock Mute1 St
F1	2375	Tom Rock Low St
F#1	2234	HH Closed Rock Sw St
G1	2375	Tom Rock Low St
G#1	2246	HH Pedal Rock Sw St
A1	2371	Tom Rock Mid St
A#1	2258	HH Open Rock Sw St
B1	2371	Tom Rock Mid St
C2	2367	Tom Rock Hi St
C#2	2460	Crash1 RL
D2	2367	Tom Rock Hi St
D#2	2489	Ride2 St
E2	2512	China St
F2	2505	Ride Cup2 St
F#2	1479	Tambourine RX5
G2	2517	Splash St
G#2	1461	Cowbell1
A2	2457	Crash1 St
A#2	1451	Vibraslap
B2	2492	Ride2 RL
C3	1363	Bongo Hi 1Finger 1-2
C#3	1376	Bongo Lo 3Finger 1-2
D3	1335	Conga Hi Tip
D#3	1339	Conga Hi Open 2
E3	1357	Tumba Open
F3	1381	Timbale Hi1-3
F#3	1385	Timbale Lo1-2
G3	1429	Agogo Hi
G#3	1430	Agogo Lo
A3	1399	Cabasa1-2
A#3	1397	Maracas Slur
B3	1452	Whistle
C4	1452	Whistle
C#4	1433	Guiro Short
D4	1432	Guiro Long
D#4	1449	Clave
E4	1450	Wood Block
F4	1450	Wood Block
F#4	1362	Cuica Hi
G4	1361	Cuica Lo
G#4	1455	Triangle Mute
A4	1454	Triangle Open
A#4	1406	Shaker 1
B4	1467	Sleigh Bell
C5	1468	Wind Chime
C#5	1912	Sd Rock Flam St
D5	1903	Sd Rock Open2 St
D#5	1909	Sd Rock Rim2 St
E5	1906	Sd Rock Mute2 St
F5	1537	Bd Funk 1St
F#5	2039	Sd RockRollID St
G5	1551	Bd H Son St
G#5	1865	Sd Tight St1-4
A5	1557	Bd Funk Son St
A#5	1823	Sd SonA 3St
B5	1540	Bd Funk R1-2
C6	1551	Bd H Son St

PRE 7 Rock Stereo Kit 2

Note	Wave Number	Wave Name
C0	1487	Analog Click
C#0	2046	Sd Brush Soft St
D0	2058	Sd Brush Swir St
D#0	2049	Sd Brush Med St
E0	2061	Sd Brush SwirAtt St
F0	2036	Sd RockRoll St
F#0	1448	Castanet
G0	1903	Sd Rock Open2 St
G#0	1446	Stick1
A0	1571	Bd Room1
A#0	1909	Sd Rock Rim2 St
B0	1521	Bd Ambience L1-2
C1	1563	Bd Rock2 St
C#1	2018	Sd Rock Stick2 St
D1	1903	Sd Rock Open2 St
D#1	1456	HandClap St
E1	1906	Sd Rock Mute2 St
F1	2375	Tom Rock Low St
F#1	2250	HH Closed Rock 2St
G1	2375	Tom Rock Low St
G#1	2262	HH Half Open Rock St
A1	2371	Tom Rock Mid St
A#1	2260	HH Open Rock St
B1	2371	Tom Rock Mid St
C2	2367	Tom Rock Hi St
C#2	2461	Crash2 St
D2	2367	Tom Rock Hi St
D#2	2489	Ride2 St
E2	2512	China St
F2	2505	Ride Cup2 St
F#2	1479	Tambourine RX5
G2	2517	Splash St
G#2	1461	Cowbell1
A2	2464	Crash2 RL
A#2	1451	Vibraslap
B2	2492	Ride2 RL
C3	1363	Bongo Hi 1Finger 1-2
C#3	1376	Bongo Lo 3Finger 1-2
D3	1335	Conga Hi Tip
D#3	1339	Conga Hi Open 2
E3	1357	Tumba Open
F3	1381	Timbale Hi1-3
F#3	1385	Timbale Lo1-2
G3	1429	Agogo Hi
G#3	1430	Agogo Lo
A3	1399	Cabasa1-2
A#3	1397	Maracas Slur
B3	1452	Whistle
C4	1452	Whistle
C#4	1433	Guiro Short
D4	1432	Guiro Long
D#4	1449	Clave
E4	1450	Wood Block
F4	1450	Wood Block
F#4	1362	Cuica Hi
G4	1361	Cuica Lo
G#4	1455	Triangle Mute
A4	1454	Triangle Open
A#4	1406	Shaker 1
B4	1467	Sleigh Bell
C5	1468	Wind Chime
C#5	1912	Sd Rock Flam St
D5	1894	Sd Rock Open1 St
D#5	1900	Sd Rock Rim1 St
E5	1897	Sd Rock Mute1 St
F5	1560	Bd Rock1 St
F#5	2039	Sd RockRollID St
G5	1538	Bd Funk 2St
G#5	1865	Sd Tight St1-4
A5	1545	Bd High St
A#5	1824	Sd SonA 4St
B5	1554	Bd L Son St
C6	1560	Bd Rock1 St

PRE 8 Nu Hip Hop Kit 1

Note	Wave Number	Wave Name
C0	1673	Bd HipHop2
C#0	1401	Cabasa2
D0	2165	Sd HipHop9
D#0	1318	Scratch Lo R
E0	1323	Scratch Vo F
F0	2039	Sd RockRollID St
F#0	1449	Clave
G0	2162	Sd HipHop5
G#0	2170	Sd HipHop Rim3
A0	1679	Bd HipHop8
A#0	2173	Sd HipHop Rim6
B0	1680	Bd HipHop9
C1	1676	Bd HipHop5
C#1	2169	Sd HipHop Rim2
D1	2167	Sd HipHop11
D#1	1489	HipHop clap2
E1	2160	Sd HipHop2
F1	2363	Tom Floor St
F#1	2341	HH Closed Hip
G1	2359	Tom Low St
G#1	2342	HH Pedal Hip
A1	2355	Tom Mid St
A#1	2343	HH Open Hip
B1	2351	Tom Hi St
C2	2351	Tom Hi St
C#2	2466	Crash4
D2	2351	Tom Hi St
D#2	2490	Ride2 L
E2	2461	Crash2 St
F2	2509	Ride Mono
F#2	1420	Tambourine1 Hit
G2	2479	Hand Cymbal Open St
G#2	1465	Mambo Body
A2	2514	China R
A#2	1459	Handbell L
B2	2511	Ride Cup Mono2
C3	1341	Conga Hi Slp Open
C#3	1349	Conga Lo Open 1
D3	1346	Conga Lo Tip
D#3	1352	Conga Lo SlapOpen
E3	1350	Conga Lo Open 2
F3	1675	Bd HipHop4
F#3	1490	HipHop clap3
G3	1429	Agogo Hi
G#3	1430	Agogo Lo
A3	1407	Shaker 2
A#3	1406	Shaker 1
B3	1681	Bd HipHop10
C4	1677	Bd HipHop6
C#4	2171	Sd HipHop Rim4
D4	2163	Sd HipHop6
D#4	1498	HipHop Snap1
E4	1681	Bd HipHop10
F4	2164	Sd HipHop7
F#4	1488	HipHop clap1
G4	1391	Paila L
G#4	1455	Triangle Mute
A4	1454	Triangle Open
A#4	1419	Tambourine1 Sw
B4	1407	Shaker 2
C5	1679	Bd HipHop8
C#5	1469	Clap T9
D5	2104	Sd T8-1
D#5	2104	Sd T8-1
E5	2107	Sd T8-4
F5	2451	Tom T8
F#5	2328	HH Closed T8-2
G5	2451	Tom T8
G#5	2328	HH Closed T8-2
A5	2451	Tom T8
A#5	2329	HH Open T8-2
B5	2451	Tom T8
C6	2522	Crash T8

PRE 9 Nu Hip Hop Kit 2

Note	Wave Number	Wave Name
C0	1674	Bd HipHop3
C#0	1292	Hi Q2
D0	1328	Scratch Hip2
D#0	1322	Scratch Sd R
E0	1324	Scratch Vo R
F0	2140	Sd Break Roll
F#0	2103	Sd T9Rim
G0	2160	Sd HipHop2
G#0	2109	Sd T8 Rim
A0	1680	Bd HipHop9
A#0	2168	Sd HipHop Rim1
B0	1677	Bd HipHop6
C1	1676	Bd HipHop5
C#1	2169	Sd HipHop Rim2
D1	2159	Sd HipHop1
D#1	1493	HipHop clap6
E1	2165	Sd HipHop9
F1	2450	Tom T9 Lo
F#1	2341	HH Closed Hip
G1	2450	Tom T9 Lo
G#1	2342	HH Pedal Hip
A1	2449	Tom T9 Hi
A#1	2343	HH Open Hip
B1	2449	Tom T9 Hi
C2	2451	Tom T8
C#2	2465	Crash3
D2	2451	Tom T8
D#2	2524	Ride T9
E2	2524	Ride T9
F2	2471	Crash Brush Cup St
F#2	1479	Tambourine RX5
G2	2523	Crash Syn
G#2	1476	Cowbell AnCR
A2	2521	Crash T9
A#2	1438	MetalGairo Long
B2	2509	Ride Mono
C3	1443	Cajon Tip 1-2
C#3	1380	Bongo Lo Tip
D3	1427	Tmbourim Finger
D#3	1417	Tumbo 2
E3	1360	Tumba Heel
F3	1392	Paila H
F#3	1391	Paila L
G3	1474	Cowbell T8
G#3	1476	Cowbell AnCR
A3	1414	Shekere Up
A#3	1403	Caxixi1
B3	1248	Grain2 St
C4	1249	Grain2 L
C#4	1444	Cajon Tip 1
D4	1494	HipHop clap7
D#4	1449	Clave
E4	1450	Wood Block
F4	2171	Sd HipHop Rim4
F#4	1498	HipHop Snap1
G4	1499	HipHop Snap2
G#4	1486	Electric Triangle
A4	1454	Triangle Open
A#4	1406	Shaker 1
B4	1438	MetalGairo Long
C5	1468	Wind Chime
C#5	2171	Sd HipHop Rim4
D5	2104	Sd T8-1
D#5	2105	Sd T8-2
E5	2107	Sd T8-4
F5	2451	Tom T8
F#5	2328	HH Closed T8-2
G5	2451	Tom T8
G#5	2328	HH Closed T8-2
A5	2451	Tom T8
A#5	2329	HH Open T8-2
B5	2451	Tom T8
C6	1496	HipHop flex1

PRE 10 Hip Hop Kit 1

Note	Wave Number	Wave Name
C0	2022	Sd Hip Stick2
C#0	1293	Vox Hit Rev
D0	1299	TurnTable
D#0	1172	Hit Brass
E0	1322	Scratch Sd R
F0	2044	Sd LiveRoll R
F#0	1485	Clave T8
G0	1893	Sd Hip 2R
G#0	2028	Sd Hip Stick6 R
A0	1680	Bd HipHop9
A#0	2149	Sd Garg L
B0	1621	Bd T8-3
C1	1612	Bd T9-1
C#1	2170	Sd HipHop Rim3
D1	2166	Sd HipHop10
D#1	1493	HipHop clap6
E1	2159	Sd HipHop1
F1	2451	Tom T8
F#1	2326	HH Closed T8-1
G1	2451	Tom T8
G#1	2327	HH Open T8-1
A1	2451	Tom T8
A#1	2327	HH Open T8-1
B1	2451	Tom T8
C2	2451	Tom T8
C#2	2466	Crash4
D2	2451	Tom T8
D#2	2499	Ride Brush1 R
E2	2522	Crash T8
F2	2524	Ride T9
F#2	1479	Tambourine RX5
G2	2519	Splash R
G#2	1465	Mambo Body
A2	2521	Crash T9
A#2	1451	Vibraslap
B2	2524	Ride T9
C3	1363	Bongo Hi 1Finger 1-2
C#3	1376	Bongo Lo 3Finger 1-2
D3	1335	Conga Hi Tip
D#3	1339	Conga Hi Open 2
E3	1357	Tumba Open
F3	1381	Timbale Hi1-3
F#3	1385	Timbale Lo1-2
G3	1429	Agogo Hi
G#3	1430	Agogo Lo
A3	1399	Cabasa1-2
A#3	1397	Maracas Slur
B3	1452	Whistle
C4	1452	Whistle
C#4	1433	Guiro Short
D4	1432	Guiro Long
D#4	1449	Clave
E4	1450	Wood Block
F4	1450	Wood Block
F#4	1362	Cuica Hi
G4	1361	Cuica Lo
G#4	1455	Triangle Mute
A4	1454	Triangle Open
A#4	1406	Shaker 1
B4	1467	Sleigh Bell
C5	1468	Wind Chime
C#5	2030	Sd Hip Stick8
D5	2118	Sd Jungle3
D#5	1458	HandClap R
E5	2135	Sd Hip Rim5
F5	1312	Scratch H
F#5	1313	Scratch L
G5	1314	Scratch Down
G#5	1316	Scratch Hi R
A5	1319	Scratch Bd F
A#5	1331	Scratch Combi
B5	1324	Scratch Vo R
C6	1638	Bd Break2

PRE 11 Hip Hop Kit 2

Note	Wave Number	Wave Name
C0	1621	Bd T8-3
C#0	2109	Sd T8 Rim
D0	2127	Sd Hip1
D#0	1469	Clap T9
E0	2152	Sd Syn
F0	2044	Sd LiveRoll R
F#0	2024	Sd Hip Stick4
G0	2160	Sd HipHop2
G#0	2173	Sd HipHop Rim6
A0	1635	Bd Hip Deep
A#0	2125	Sd R&B1 Rim
B0	1639	Bd Break Heavy
C1	1635	Bd Hip Deep
C#1	2169	Sd HipHop Rim2
D1	2129	Sd Hip3
D#1	1456	HandClap St
E1	2157	Sd Lo-Fi
F1	2365	Tom Floor R
F#1	2344	HH Closed Lo-Fi
G1	2360	Tom Low L
G#1	2333	HH Closed Break
A1	2360	Tom Low L
A#1	2345	HH Open Lo-Fi
B1	2360	Tom Low L
C2	2352	Tom Hi L
C#2	2465	Crash3
D2	2352	Tom Hi L
D#2	2524	Ride T9
E2	2516	China2
F2	2510	Ride Cup Mono
F#2	1479	Tambourine RX5
G2	2465	Crash3
G#2	1475	Cowbell RX11
A2	2463	Crash2 R
A#2	1474	Cowbell T8
B2	2524	Ride T9
C3	1363	Bongo Hi 1Finger 1-2
C#3	1376	Bongo Lo 3Finger 1-2
D3	1335	Conga Hi Tip
D#3	1341	Conga Hi Slp Open
E3	1339	Conga Hi Open 2
F3	1157	Radio Noise
F#3	1157	Radio Noise
G3	1430	Agogo Lo
G#3	1430	Agogo Lo
A3	1400	Cabasa1
A#3	1483	MaracasT8
B3	1297	FxGun2
C4	1296	FxGun1
C#4	1326	Scratch Spin
D4	1325	Scratch Stop
D#4	1485	Clave T8
E4	1301	Door Squeak
F4	1292	Hi Q2
F#4	1319	Scratch Bd F
G4	1320	Scratch Bd R
G#4	1455	Triangle Mute
A4	1454	Triangle Open
A#4	1478	Analog Shaker
B4	1420	Tambourine1 Hit
C5	1468	Wind Chime
C#5	2115	Sd Human2
D5	2140	Sd Break Roll
D#5	1175	Stab Hard
E5	2116	Sd Jungle1
F5	1560	Bd Rock1 St
F#5	1314	Scratch Down
G5	861	Wataiko
G#5	1143	HH Hit
A5	1176	Stab Organ2
A#5	1169	Sonar1
B5	1299	TurnTable
C6	1300	Police

PRE 12 Hip Hop Kit 3

Note	Wave Number	Wave Name
C0	2109	Sd T8 Rim
C#0	1293	Vox Hit Rev
D0	1299	TurnTable
D#0	1175	Stab Hard
E0	1324	Scratch Vo R
F0	2045	Sd Roll Mono
F#0	1485	Clave T8
G0	1891	Sd Hip 1R
G#0	2024	Sd Hip Stick4
A0	1623	Bd AnCR
A#0	2133	Sd Hip Rim3
B0	1614	Bd T9-3
C1	1635	Bd Hip Deep
C#1	2025	Sd Hip Stick5
D1	2130	Sd Hip Gate
D#1	1493	HipHop clap6
E1	2157	Sd Lo-Fi
F1	2451	Tom T8
F#1	2341	HH Closed Hip
G1	2451	Tom T8
G#1	2342	HH Pedal Hip
A1	2451	Tom T8
A#1	2343	HH Open Hip
B1	2451	Tom T8
C2	2451	Tom T8
C#2	2466	Crash4
D2	2451	Tom T8
D#2	2491	Ride2 R
E2	2522	Crash T8
F2	2524	Ride T9
F#2	1479	Tambourine RX5
G2	2519	Splash R
G#2	1465	Mambo Body
A2	2521	Crash T9
A#2	1451	Vibraslap
B2	2524	Ride T9
C3	1363	Bongo Hi 1Finger 1-2
C#3	1376	Bongo Lo 3Finger 1-2
D3	1335	Conga Hi Tip
D#3	1341	Conga Hi Slp Open
E3	1339	Conga Hi Open 2
F3	1381	Timbale Hi1-3
F#3	1385	Timbale Lo1-2
G3	1429	Agogo Hi
G#3	1430	Agogo Lo
A3	1409	Shaker Hip1
A#3	1397	Maracas Slur
B3	1452	Whistle
C4	1452	Whistle
C#4	1433	Guiro Short
D4	1432	Guiro Long
D#4	1449	Clave
E4	1450	Wood Block
F4	1450	Wood Block
F#4	1362	Cuica Hi
G4	1361	Cuica Lo
G#4	1455	Triangle Mute
A4	1454	Triangle Open
A#4	1406	Shaker 1
B4	1467	Sleigh Bell
C5	1468	Wind Chime
C#5	2021	Sd Hip Stick1
D5	2116	Sd Jungle1
D#5	1458	HandClap R
E5	2139	Sd Break Heavy
F5	1313	Scratch L
F#5	1314	Scratch Down
G5	1315	Scratch Hi F
G#5	1317	Scratch Lo F
A5	1318	Scratch Lo R
A#5	1319	Scratch Bd F
B5	1320	Scratch Bd R
C6	1639	Bd Break Heavy

PRE 13 Hip Hop Kit 5

Note	Wave Number	Wave Name
C0	2021	Sd Hip Stick1
C#0	1291	Hi Q1
D0	1299	TurnTable
D#0	1178	Hit Uhh
E0	1325	Scratch Stop
F0	2043	Sd LiveRoll L
F#0	1485	Clave T8
G0	2147	Sd Cut
G#0	2017	Sd Rock Stick1 R
A0	1613	Bd T9-2
A#0	2131	Sd Hip Rim1
B0	1634	Bd R&B2
C1	1636	Bd Break Deep
C#1	2035	Sd Closed Rim3
D1	2132	Sd Hip Rim2
D#1	1491	HipHop clap4
E1	2124	Sd R&B1
F1	1473	Conga T8
F#1	2326	HH Closed T8-1
G1	1473	Conga T8
G#1	2328	HH Closed T8-2
A1	1473	Conga T8
A#1	2329	HH Open T8-2
B1	1473	Conga T8
C2	1473	Conga T8
C#2	2466	Crash4
D2	1473	Conga T8
D#2	2491	Ride2 R
E2	2522	Crash T8
F2	2524	Ride T9
F#2	1479	Tambourine RX5
G2	2519	Splash R
G#2	1465	Mambo Body
A2	2521	Crash T9
A#2	1451	Vibraslap
B2	2524	Ride T9
C3	1363	Bongo Hi 1Finger 1-2
C#3	1376	Bongo Lo 3Finger 1-2
D3	1335	Conga Hi Tip
D#3	1339	Conga Hi Open 2
E3	1357	Tumba Open
F3	1381	Timbale Hi1-3
F#3	1385	Timbale Lo1-2
G3	1429	Agogo Hi
G#3	1430	Agogo Lo
A3	1399	Cabasa1-2
A#3	1397	Maracas Slur
B3	1452	Whistle
C4	1452	Whistle
C#4	1433	Guiro Short
D4	1432	Guiro Long
D#4	1449	Clave
E4	1450	Wood Block
F4	1450	Wood Block
F#4	1362	Cuica Hi
G4	1361	Cuica Lo
G#4	1455	Triangle Mute
A4	1454	Triangle Open
A#4	1406	Shaker 1
B4	1467	Sleigh Bell
C5	1468	Wind Chime
C#5	2033	Sd Closed Rim R
D5	2111	Sd AnSm Rim
D#5	1456	HandClap St
E5	2129	Sd Hip3
F5	1322	Scratch Sd R
F#5	1327	Scratch Hip
G5	1320	Scratch Bd R
G#5	1324	Scratch Vo R
A5	1328	Scratch Hip2
A#5	1332	Scratch Combi2
B5	1334	Scratch Combi4
C6	1635	Bd Hip Deep

PRE 14 Hip Stick Kit 1

Note	Wave Number	Wave Name
C0	2134	Sd Hip Rim4
C#0	1291	Hi Q1
D0	1299	TurnTable
D#0	1171	Hit Orchestra1
E0	1320	Scratch Bd R
F0	2044	Sd LiveRoll R
F#0	1487	Analog Click
G0	2133	Sd Hip Rim3
G#0	2113	Sd AnCR Rim
A0	1680	Bd HipHop9
A#0	2173	Sd HipHop Rim6
B0	1621	Bd T8-3
C1	1620	Bd T8-2
C#1	2109	Sd T8 Rim
D1	2024	Sd Hip Stick4
D#1	1458	HandClap R
E1	2023	Sd Hip Stick3
F1	2451	Tom T8
F#1	2326	HH Closed T8-1
G1	2451	Tom T8
G#1	2327	HH Open T8-1
A1	2451	Tom T8
A#1	2327	HH Open T8-1
B1	2451	Tom T8
C2	2451	Tom T8
C#2	2466	Crash4
D2	2451	Tom T8
D#2	2491	Ride2 R
E2	2522	Crash T8
F2	2524	Ride T9
F#2	1479	Tambourine RX5
G2	2519	Splash R
G#2	1465	Mambo Body
A2	2521	Crash T9
A#2	1451	Vibraslap
B2	2524	Ride T9
C3	1363	Bongo Hi 1Finger 1-2
C#3	1376	Bongo Lo 3Finger 1-2
D3	1335	Conga Hi Tip
D#3	1339	Conga Hi Open 2
E3	1357	Tumba Open
F3	1381	Timbale Hi1-3
F#3	1385	Timbale Lo1-2
G3	1429	Agogo Hi
G#3	1430	Agogo Lo
A3	1399	Cabasa1-2
A#3	1397	Maracas Slur
B3	1452	Whistle
C4	1452	Whistle
C#4	1433	Guiro Short
D4	1432	Guiro Long
D#4	1449	Clave
E4	1450	Wood Block
F4	1450	Wood Block
F#4	1362	Cuica Hi
G4	1361	Cuica Lo
G#4	1455	Triangle Mute
A4	1454	Triangle Open
A#4	1406	Shaker 1
B4	1467	Sleigh Bell
C5	1468	Wind Chime
C#5	2110	Sd AnSm
D5	2035	Sd Closed Rim3
D#5	1487	Analog Click
E5	2034	Sd Closed Rim2
F5	1312	Scratch H
F#5	1313	Scratch L
G5	1314	Scratch Down
G#5	1316	Scratch Hi R
A5	1319	Scratch Bd F
A#5	1331	Scratch Combi
B5	1324	Scratch Vo R
C6	1629	Bd Jungle2

PRE 15 Hip Stick Kit 2

Note	Wave Number	Wave Name
C0	2133	Sd Hip Rim3
C#0	1292	Hi Q2
D0	1312	Scratch H
D#0	1312	Scratch H
E0	1324	Scratch Vo R
F0	2045	Sd Roll Mono
F#0	1487	Analog Click
G0	2134	Sd Hip Rim4
G#0	2109	Sd T8 Rim
A0	1680	Bd HipHop9
A#0	2024	Sd Hip Stick4
B0	1653	Bd Hard Long
C1	1669	Bd ElecClick
C#1	2021	Sd Hip Stick1
D1	2022	Sd Hip Stick2
D#1	1495	HipHop clap8
E1	2026	Sd Hip Stick6 St
F1	2450	Tom T9 Lo
F#1	2326	HH Closed T8-1
G1	2450	Tom T9 Lo
G#1	2327	HH Open T8-1
A1	2450	Tom T9 Lo
A#1	2327	HH Open T8-1
B1	2450	Tom T9 Lo
C2	2450	Tom T9 Lo
C#2	2521	Crash T9
D2	2450	Tom T9 Lo
D#2	2488	Ride1 RL
E2	2522	Crash T8
F2	2511	Ride Cup Mono2
F#2	1482	Electric Tambourine2
G2	2519	Splash R
G#2	1474	Cowbell T8
A2	2521	Crash T9
A#2	1451	Vibraslap
B2	2523	Crash Syn
C3	1363	Bongo Hi 1Finger 1-2
C#3	1376	Bongo Lo 3Finger 1-2
D3	1335	Conga Hi Tip
D#3	1339	Conga Hi Open 2
E3	1357	Tumba Open
F3	1381	Timbale Hi1-3
F#3	1385	Timbale Lo1-2
G3	1429	Agogo Hi
G#3	1430	Agogo Lo
A3	1399	Cabasa1-2
A#3	1397	Maracas Slur
B3	1452	Whistle
C4	1452	Whistle
C#4	1433	Guiro Short
D4	1432	Guiro Long
D#4	1449	Clave
E4	1450	Wood Block
F4	1450	Wood Block
F#4	1362	Cuica Hi
G4	1361	Cuica Lo
G#4	1455	Triangle Mute
A4	1454	Triangle Open
A#4	1406	Shaker 1
B4	1467	Sleigh Bell
C5	1468	Wind Chime
C#5	2109	Sd T8 Rim
D5	2021	Sd Hip Stick1
D#5	2022	Sd Hip Stick2
E5	2034	Sd Closed Rim2
F5	1314	Scratch Down
F#5	1315	Scratch Hi F
G5	1317	Scratch Lo F
G#5	1318	Scratch Lo R
A5	1320	Scratch Bd R
A#5	1331	Scratch Combi
B5	1325	Scratch Stop
C6	1679	Bd HipHop8

PRE 16 R&B Kit 1

Note	Wave Number	Wave Name
C0	1618	Bd T9 Hd3
C#0	2112	Sd AnCR
D0	2111	Sd AnSm Rim
D#0	2145	Sd ClapAna
E0	2102	Sd T9Gate
F0	2045	Sd Roll Mono
F#0	2154	Sd Timbr
G0	2151	Sd FM Rim
G#0	2119	Sd JungleFX
A0	1615	Bd T9-4
A#0	2135	Sd Hip Rim5
B0	1614	Bd T9-3
C1	1660	Bd Elec2
C#1	2109	Sd T8 Rim
D1	2157	Sd Lo-Fi
D#1	1489	HipHop clap2
E1	2124	Sd R&B1
F1	1621	Bd T8-3
F#1	2324	HH Closed T9
G1	1621	Bd T8-3
G#1	2342	HH Pedal Hip
A1	1621	Bd T8-3
A#1	2325	HH Open T9
B1	1621	Bd T8-3
C2	1621	Bd T8-3
C#2	2460	Crash1 RL
D2	1621	Bd T8-3
D#2	2489	Ride2 St
E2	2516	China2
F2	2510	Ride Cup Mono
F#2	1420	Tambourine1 Hit
G2	2465	Crash3
G#2	1461	Cowbell1
A2	2457	Crash1 St
A#2	1474	Cowbell T8
B2	2485	Ride1 St
C3	1363	Bongo Hi 1Finger 1-2
C#3	1376	Bongo Lo 3Finger 1-2
D3	1335	Conga Hi Tip
D#3	1341	Conga Hi Slp Open
E3	1339	Conga Hi Open 2
F3	1291	Hi Q1
F#3	1291	Hi Q1
G3	1430	Agogo Lo
G#3	1430	Agogo Lo
A3	1478	Analog Shaker
A#3	1397	Maracas Slur
B3	1180	Vox Drum
C4	1180	Vox Drum
C#4	1291	Hi Q1
D4	1292	Hi Q2
D#4	1485	Clave T8
E4	1291	Hi Q1
F4	1326	Scratch Spin
F#4	1316	Scratch Hi R
G4	1315	Scratch Hi F
G#4	1455	Triangle Mute
A4	1454	Triangle Open
A#4	1407	Shaker 2
B4	1420	Tambourine1 Hit
C5	1468	Wind Chime
C#5	2140	Sd Break Rim
D5	1273	Noise Burst
D#5	1134	Vox Bell
E5	2124	Sd R&B1
F5	1144	VoxAlk
F#5	886	Udo High
G5	1139	Trance Choir
G#5	1154	Swarm
A5	1568	Bd Pop
A#5	2125	Sd R&B1 Rim
B5	1634	Bd R&B2
C6	2465	Crash3

Drum Voice List

PRE 17 R&B Kit 2

Note	Wave Number	Wave Name
C0	1612	Bd T9-1
C#0	2113	Sd AnCR Rim
D0	2130	Sd Hip Gate
D#0	2140	Sd Break Roll
E0	2098	Sd T9-2
F0	2042	Sd LiveRoll St
F#0	1499	HipHop Snap2
G0	2165	Sd HipHop9
G#0	2169	Sd HipHop Rim2
A0	1676	Bd HipHop5
A#0	2134	Sd Hip Rim4
B0	1612	Bd T9-1
C1	1620	Bd T8-2
C#1	2168	Sd HipHop Rim1
D1	1499	HipHop Snap2
D#1	1495	HipHop clap8
E1	2108	Sd T8-5
F1	2451	Tom T8
F#1	2326	HH Closed T8-1
G1	2451	Tom T8
G#1	2327	HH Open T8-1
A1	2451	Tom T8
A#1	2327	HH Open T8-1
B1	2451	Tom T8
C2	2451	Tom T8
C#2	2460	Crash1 RL
D2	2451	Tom T8
D#2	2489	Ride2 St
E2	2516	China2
F2	2510	Ride Cup Mono
F#2	1420	Tambourine1 Hit
G2	2465	Crash3
G#2	1461	Cowbell1
A2	2457	Crash1 St
A#2	1474	Cowbell T8
B2	2485	Ride1 St
C3	1363	Bongo Hi 1Finger 1-2
C#3	1376	Bongo Lo 3Finger 1-2
D3	1335	Conga Hi Tip
D#3	1341	Conga Hi Slp Open
E3	1339	Conga Hi Open 2
F3	1291	Hi Q1
F#3	1291	Hi Q1
G3	1430	Agogo Lo
G#3	1430	Agogo Lo
A3	1478	Analog Shaker
A#3	1397	Maracas Slur
B3	1180	Vox Drum
C4	1180	Vox Drum
C#4	1291	Hi Q1
D4	1292	Hi Q2
D#4	1485	Clave T8
E4	1291	Hi Q1
F4	1326	Scratch Spin
F#4	1316	Scratch Hi R
G4	1315	Scratch Hi F
G#4	1455	Triangle Mute
A4	1454	Triangle Open
A#4	1407	Shaker 2
B4	1420	Tambourine1 Hit
C5	1468	Wind Chime
C#5	2140	Sd Break Roll
D5	1273	Noise Burst
D#5	1134	Vox Bell
E5	2124	Sd R&B1
F5	1144	VoxAlk
F#5	886	Udo High
G5	1139	Trance Choir
G#5	1154	Swarm
A5	1568	Bd Pop
A#5	2125	Sd R&B1 Rim
B5	1634	Bd R&B2
C6	2465	Crash3

PRE 18 R&B Kit 3

Note	Wave Number	Wave Name
C0	1617	Bd T9 Hd2
C#0	2112	Sd AnCR
D0	2137	Sd Break2
D#0	2140	Sd Break Roll
E0	2102	Sd T9Gate
F0	2045	Sd Roll Mono
F#0	1499	HipHop Snap2
G0	2160	Sd HipHop2
G#0	2170	Sd HipHop Rim3
A0	1613	Bd T9-2
A#0	2133	Sd Hip Rim3
B0	1612	Bd T9-1
C1	1620	Bd T8-2
C#1	2170	Sd HipHop Rim3
D1	2124	Sd R&B1
D#1	1493	HipHop clap6
E1	2130	Sd Hip Gate
F1	2450	Tom T9 Lo
F#1	2324	HH Closed T9
G1	2450	Tom T9 Lo
G#1	2325	HH Open T9
A1	2450	Tom T9 Lo
A#1	2325	HH Open T9
B1	2450	Tom T9 Lo
C2	2449	Tom T9 Hi
C#2	2460	Crash1 RL
D2	1621	Bd T8-3
D#2	2489	Ride2 St
E2	2516	China2
F2	2510	Ride Cup Mono
F#2	1420	Tambourine1 Hit
G2	2465	Crash3
G#2	1461	Cowbell1
A2	2457	Crash1 St
A#2	1474	Cowbell T8
B2	2485	Ride1 St
C3	1363	Bongo Hi 1Finger 1-2
C#3	1376	Bongo Lo 3Finger 1-2
D3	1335	Conga Hi Tip
D#3	1341	Conga Hi Slp Open
E3	1339	Conga Hi Open 2
F3	1291	Hi Q1
F#3	1291	Hi Q1
G3	1430	Agogo Lo
G#3	1430	Agogo Lo
A3	1478	Analog Shaker
A#3	1397	Maracas Slur
B3	1180	Vox Drum
C4	1180	Vox Drum
C#4	1291	Hi Q1
D4	1292	Hi Q2
D#4	1485	Clave T8
E4	1291	Hi Q1
F4	1326	Scratch Spin
F#4	1316	Scratch Hi R
G4	1315	Scratch Hi F
G#4	1455	Triangle Mute
A4	1454	Triangle Open
A#4	1407	Shaker 2
B4	1420	Tambourine1 Hit
C5	1468	Wind Chime
C#5	2140	Sd Break Roll
D5	1273	Noise Burst
D#5	1134	Vox Bell
E5	2124	Sd R&B1
F5	1144	VoxAlk
F#5	886	Udo High
G5	1139	Trance Choir
G#5	1154	Swarm
A5	1568	Bd Pop
A#5	2125	Sd R&B1 Rim
B5	1634	Bd R&B2
C6	2465	Crash3

PRE 19 Trance Kit

Note	Wave Number	Wave Name
C0	1613	Bd T9-2
C#0	2111	Sd AnSm Rim
D0	2093	Sd Elec9
D#0	1470	Clap AnSm
E0	2091	Sd Elec7
F0	2095	Sd Elec11
F#0	2091	Sd Elec7
G0	2104	Sd T8-1
G#0	2101	Sd T9-5
A0	1617	Bd T9 Hd2
A#0	2096	Sd Elec12
B0	1618	Bd T9 Hd3
C1	1653	Bd Hard Long
C#1	2103	Sd T9Rim
D1	2089	Sd Elec5
D#1	1469	Clap T9
E1	2098	Sd T9-2
F1	2152	Sd Syn
F#1	2324	HH Closed T9
G1	2152	Sd Syn
G#1	2325	HH Open T9
A1	2152	Sd Syn
A#1	2325	HH Open T9
B1	2152	Sd Syn
C2	2152	Sd Syn
C#2	2521	Crash T9
D2	2152	Sd Syn
D#2	2524	Ride T9
E2	2523	Crash Syn
F2	2510	Ride Cup Mono
F#2	1420	Tambourine1 Hit
G2	2522	Crash T8
G#2	1474	Cowbell T8
A2	2512	China St
A#2	1474	Cowbell T8
B2	2485	Ride1 St
C3	1363	Bongo Hi 1Finger 1-2
C#3	1376	Bongo Lo 3Finger 1-2
D3	1342	Conga Hi Slap
D#3	1341	Conga Hi Slp Open
E3	1339	Conga Hi Open 2
F3	2452	Tom Syn1
F#3	2452	Tom Syn1
G3	1487	Analog Click
G#3	1273	Noise Burst
A3	1401	Cabasa2
A#3	1397	Maracas Slur
B3	1203	Neo Seq Em-3
C4	1221	Neo Seq2 Em-5
C#4	1276	Electric Perc1
D4	1409	Shaker Hip1
D#4	1485	Clave T8
E4	1479	Tambourine RX5
F4	1475	Cowbell RX11
F#4	1410	Shaker Hip2
G4	1285	Electric Perc10
G#4	1455	Triangle Mute
A4	1454	Triangle Open
A#4	1412	Shaker Hip4
B4	1275	Zap2
C5	1679	Bd HipHop8
C#5	1616	Bd T9 Hd1
D5	1665	Bd ElecComp3
D#5	1612	Bd T9-1
E5	1618	Bd T9 Hd3
F5	1653	Bd Hard Long
F#5	2326	HH Closed T8-1
G5	1664	Bd ElecComp2
G#5	2329	HH Open T8-2
A5	1616	Bd T9 Hd1
A#5	2327	HH Open T8-1
B5	1617	Bd T9 Hd2
C6	1665	Bd ElecComp3

PRE 20 Psychedelic Kit

Note	Wave Number	Wave Name
C0	1166	LFO Seq
C#0	1139	Trance Choir
D0	903	Tibetan Bowl
D#0	1325	Scratch Stop
E0	1244	Fx Female Voice St
F0	1176	Stab Organ2
F#0	1301	Door Squeak
G0	1157	Radio Noise
G#0	1301	Door Squeak
A0	2644	Acoustic Bass FX06
A#0	2649	Electric Bass FX 02
B0	2644	Acoustic Bass FX06
C1	1627	Bd BlpHd
C#1	1626	Bd Blip
D1	2130	Sd Hip Gate
D#1	1815	Sd SonA St1-4
E1	1273	Noise Burst
F1	2456	Tom Dist Lo
F#1	2324	HH Closed T9
G1	2455	Tom Dist Hi
G#1	2176	HH Closed 2St
A1	2449	Tom T9 Hi
A#1	2325	HH Open T9
B1	2449	Tom T9 Hi
C2	2449	Tom T9 Hi
C#2	2512	China St
D2	2449	Tom T9 Hi
D#2	2517	Splash St
E2	2521	Crash T9
F2	2524	Ride T9
F#2	1424	Pandeiro Tip
G2	1481	Electric Tambourine1
G#2	1292	Hi Q2
A2	1610	Bd Gate
A#2	1292	Hi Q2
B2	2641	Acoustic Bass FX03
C3	2639	Acoustic Bass FX01
C#3	1022	Mini Blip6
D3	1017	Mini Blip1
D#3	1018	Mini Blip2
E3	1354	Quinto1 Slap
F3	866	Tabla Bya
F#3	862	Djembe Edge
G3	867	Tabla Nah
G#3	893	Barasim Tak
A3	1283	Electric Perc8
A#3	1288	Electric Perc13
B3	1167	Hop FX1
C4	1214	Motion Beam
C#4	1275	Zap2
D4	1259	Digi Voice Mod
D#4	821	Human Whistle
E4	1258	Digital Wind
F4	1487	Analog Click
F#4	2326	HH Closed T8-1
G4	2150	Sd FM
G#4	2229	HH Half Open2 RL
A4	1485	Clave T8
A#4	2327	HH Open T8-1
B4	2525	Reverse Cymbal
C5	1654	Bd Analog Tight
C#5	1665	Bd ElecComp3
D5	1618	Bd T9 Hd3
D#5	1649	Bd ZapHard
E5	1658	Bd Slimy
F5	1640	Bd Break Hard
F#5	2011	Sd BreakRim
G5	1703	Sd Soul St1-3
G#5	1920	Sd Ambience
A5	1899	Sd Rock Mute1 R
A#5	2147	Sd Cut
B5	2122	Sd D&B3
C6	2141	Sd FX1

PRE 21 Chill Out Kit 2

Note	Wave Number	Wave Name
C0	1619	Bd T8-1
C#0	2109	Sd T8 Rim
D0	2105	Sd T8-2
D#0	1471	Electric Clap1
E0	2095	Sd Elec11
F0	2091	Sd Elec7
F#0	2107	Sd T8-4
G0	1660	Bd Elec2
G#0	2104	Sd T8-1
A0	1679	Bd HipHop8
A#0	2106	Sd T8-3
B0	1680	Bd HipHop9
C1	1679	Bd HipHop8
C#1	2111	Sd AnSm Rim
D1	2162	Sd HipHop5
D#1	1470	Clap AnSm
E1	2163	Sd HipHop6
F1	2451	Tom T8
F#1	2326	HH Closed T8-1
G1	2451	Tom T8
G#1	2327	HH Open T8-1
A1	2451	Tom T8
A#1	2327	HH Open T8-1
B1	2451	Tom T8
C2	2451	Tom T8
C#2	2465	Crash3
D2	2451	Tom T8
D#2	2524	Ride T9
E2	2517	Splash St
F2	2510	Ride Cup Mono
F#2	1420	Tambourine1 Hit
G2	2522	Crash T8
G#2	1474	Cowbell T8
A2	2512	China St
A#2	1474	Cowbell T8
B2	2485	Ride1 St
C3	1473	Conga T8
C#3	1473	Conga T8
D3	1473	Conga T8
D#3	1473	Conga T8
E3	1473	Conga T8
F3	1342	Conga Hi Slap
F#3	1341	Conga Hi Slp Open
G3	1339	Conga Hi Open 2
G#3	1382	Timbale Hi1
A3	1401	Cabasa2
A#3	1397	Maracas Slur
B3	1244	Fx Female Voice St
C4	1225	Portamento Lead Seq
C#4	1284	Electric Perc9
D4	1409	Shaker Hip1
D#4	1485	Clave T8
E4	1291	Hi Q1
F4	1292	Hi Q2
F#4	1410	Shaker Hip2
G4	1290	Electric Perc15
G#4	1455	Triangle Mute
A4	1454	Triangle Open
A#4	1412	Shaker Hip4
B4	1268	Ripper
C5	1662	Bd Elec4
C#5	2127	Sd Hip1
D5	2093	Sd Elec9
D#5	2090	Sd Elec6
E5	2160	Sd HipHop2
F5	1668	Bd ElecGate
F#5	2328	HH Closed T8-2
G5	1657	Bd ThickSkin
G#5	2329	HH Open T8-2
A5	1639	Bd Break Heavy
A#5	2329	HH Open T8-2
B5	1636	Bd Break Deep
C6	1634	Bd R&B2

PRE 22 Brush Kit

Note	Wave Number	Wave Name
C0	1449	Clave
C#0	2046	Sd Brush Soft St
D0	2058	Sd Brush Swir St
D#0	2049	Sd Brush Med St
E0	2061	Sd Brush SwirAtt St
F0	2042	Sd LiveRoll St
F#0	1448	Castanet
G0	2046	Sd Brush Soft St
G#0	1446	Stick1
A0	1536	Bd Funk St1-2
A#0	1806	Sd Basic 3St
B0	1574	Bd Jazz1-2St
C1	1583	Bd FK Jazz St
C#1	2055	Sd Closed Rim4 St
D1	2049	Sd Brush Med St
D#1	1456	HandClap St
E1	2052	Sd Brush vari St
F1	2439	Tom Brush floor St
F#1	2273	HH Power CITip 1-4St
G1	2435	Tom Brush Low St
G#1	2313	HH Power CIPedal St
A1	2435	Tom Brush Low St
A#1	2317	HH Power Open EdgeSt
B1	2431	Tom Brush Mid St
C2	2431	Tom Brush Mid St
C#2	2467	Crash Brush1 St
D2	2427	Tom Brush Hi St
D#2	2497	Ride Brush1 St
E2	2512	China St
F2	2471	Crash Brush Cup St
F#2	1419	Tambourine1 Sw
G2	2517	Splash St
G#2	1462	Cowbell2
A2	2475	Crash Brush2 St
A#2	1451	Vibraslap
B2	2501	Ride Brush2 St
C3	1363	Bongo Hi 1Finger 1-2
C#3	1373	Bongo Lo 1Finger 1-2
D3	1343	Conga Hi SlapMute1-2
D#3	1337	Conga Hi Open 1-2
E3	1348	Conga Lo Open 1-2
F3	1381	Timbale Hi1-3
F#3	1385	Timbale Lo1-2
G3	1429	Agogo Hi
G#3	1430	Agogo Lo
A3	1399	Cabasa1-2
A#3	1397	Maracas Slur
B3	1452	Whistle
C4	1452	Whistle
C#4	1433	Guiro Short
D4	1432	Guiro Long
D#4	1449	Clave
E4	1450	Wood Block
F4	1450	Wood Block
F#4	1362	Cuica Hi
G4	1361	Cuica Lo
G#4	1455	Triangle Mute
A4	1454	Triangle Open
A#4	1405	Shaker 1/3
B4	1467	Sleigh Bell
C5	1468	Wind Chime
C#5	1682	Sd Bld St1-4
D5	1841	Sd Blues 3St
D#5	1885	Sd Hip St1-2
E5	1782	Sd Funk St1-3
F5	1702	Sd Soul St1-4
F#5	2010	Sd LdwHMono
G5	2013	Sd Heavy
G#5	1865	Sd Tight St1-4
A5	1850	Sd BluesHeart St11-3
A#5	1500	Bd Snap 1-2
B5	1509	Bd Tight 1-2
C6	1536	Bd Funk St1-2

PRE 23 Jazz Kit

Note	Wave Number	Wave Name
C0	1574	Bd Jazz1-2St
C#0	2048	Sd Brush Soft R
D0	2061	Sd Brush SwirAtt St
D#0	2049	Sd Brush Med St
E0	2061	Sd Brush SwirAtt St
F0	2042	Sd LiveRoll St
F#0	1448	Castanet
G0	1886	Sd Hip 1St
G#0	1446	Stick1
A0	1541	Bd Funk 1 L
A#0	1873	Sd Tight 3St
B0	1583	Bd FK Jazz St
C1	1536	Bd Funk St1-2
C#1	2031	Sd Closed Rim St
D1	1871	Sd Tight 1St
D#1	2036	Sd RockRoll St
E1	1850	Sd BluesHeart St1-3
F1	2363	Tom Floor St
F#1	2273	HH Power CITip 1-4St
G1	2363	Tom Floor St
G#1	2313	HH Power CIPedal St
A1	2359	Tom Low St
A#1	2317	HH Power Open EdgeSt
B1	2355	Tom Mid St
C2	2355	Tom Mid St
C#2	2461	Crash2 St
D2	2351	Tom Hi St
D#2	2489	Ride2 St
E2	2512	China St
F2	2511	Ride Cup Mono2
F#2	1420	Tambourine1 Hit
G2	2517	Splash St
G#2	1461	Cowbell1
A2	2461	Crash2 St
A#2	1451	Vibraslap
B2	2485	Ride1 St
C3	1363	Bongo Hi 1Finger 1-2
C#3	1376	Bongo Lo 3Finger 1-2
D3	1335	Conga Hi Tip
D#3	1341	Conga Hi Slp Open
E3	1339	Conga Hi Open 2
F3	1382	Timbale Hi1
F#3	1382	Timbale Hi1
G3	1430	Agogo Lo
G#3	1430	Agogo Lo
A3	1400	Cabasa1
A#3	1397	Maracas Slur
B3	2048	Sd Brush Soft R
C4	2058	Sd Brush Swir St
C#4	1433	Guiro Short
D4	1432	Guiro Long
D#4	1449	Clave
E4	1450	Wood Block
F4	1450	Wood Block
F#4	1389	Timbale Paila H
G4	1390	Timbale Paila L
G#4	1455	Triangle Mute
A4	1454	Triangle Open
A#4	1407	Shaker 2
B4	1467	Sleigh Bell
C5	1468	Wind Chime
C#5	1842	Sd Blues L1-3
D5	1797	Sd Funk Ay St
D#5	1858	Sd BluesHeart R1-3
E5	1836	Sd Blues St1-2
F5	1549	Bd Low L
F#5	2010	Sd LdwHMono
G5	1567	Bd Dry2
G#5	2061	Sd Brush SwirAtt St
A5	1635	Bd Hip Deep
A#5	2045	Sd Roll Mono
B5	1535	Bd Normal 2R
C6	2475	Crash Brush2 St

PRE 24 Pop Latin Kit

Note	Wave Number	Wave Name
C0	1449	Clave
C#0	1441	Cajon Kick
D0	1442	Cajon Slap
D#0	1443	Cajon Tip 1-2
E0	1449	Clave
F0	1450	Wood Block
F#0	1456	HandClap St
G0	2490	Ride2 L
G#0	1499	HipHop Snap2
A0	1448	Castanet
A#0	1335	Conga Hi Tip
B0	1336	Conga Hi Heel
C1	1337	Conga Hi Open 1-2
C#1	1340	Conga Hi Mute
D1	1341	Conga Hi Slp Open
D#1	1342	Conga Hi Slap
E1	1343	Conga Hi SlapMute1-2
F1	1346	Conga Lo Tip
F#1	1347	Conga Lo Heel
G1	1348	Conga Lo Open 1-2
G#1	1351	Conga Lo Mute
A1	1352	Conga Lo SlapOpen
A#1	1352	Conga Lo SlapOpen
B1	1349	Conga Lo Open 1
C2	1363	Bongo Hi 1Finger 1-2
C#2	1366	Bongo Hi 3Finger 1-2
D2	1369	Bongo Hi Rim
D#2	1370	Bongo Hi Tip
E2	1371	Bongo Hi Heel
F2	1372	Bongo Hi Slap
F#2	1373	Bongo Lo 1Finger 1-2
G2	1376	Bongo Lo 3Finger 1-2
G#2	1379	Bongo Lo Rim
A2	1380	Bongo Lo Tip
A#2	1376	Bongo Lo 3Finger 1-2
B2	1372	Bongo Hi Slap
C3	1385	Timbale Lo1-2
C#3	1354	Quinto1 Slap
D3	1353	Quinto1 Open
D#3	1335	Conga Hi Tip
E3	1357	Tumba Open
F3	1391	Paila L
F#3	1381	Timbale Hi1-3
G3	1422	Pandeiro Open
G#3	1423	Pandeiro Thump
A3	1424	Pandeiro Tip
A#3	1425	Pandeiro Heel
B3	1392	Paila H
C4	1462	Cowbell2
C#4	1462	Cowbell2
D4	1429	Agogo Hi
D#4	1429	Agogo Hi
E4	1433	Guiro Short
F4	1432	Guiro Long
F#4	1435	MetalGuiro Short1-2
G4	1438	MetalGuiro Long
G#4	1419	Tambourine1 Sw
A4	1426	Tmbourim Open
A#4	1428	Tmbourim Mute
B4	1427	Tmbourim Finger
C5	1396	Maracas Sw
C#5	1405	Shaker 1/3
D5	1399	Cabasa1-2
D#5	1361	Cuica Lo
E5	1362	Cuica Hi
F5	1461	Cowbell1
F#5	1465	Mambo Body
G5	1413	Shekere Down
G#5	1415	Shekere Sap
A5	1455	Triangle Mute
A#5	1454	Triangle Open
B5	1452	Whistle
C6	1468	Wind Chime

PRE 25 Analog T9 Kit

Note	Wave Number	Wave Name
C0	1613	Bd T9-2
C#0	2112	Sd AnCR
D0	2101	Sd T9-5
D#0	1470	Clap AnSm
E0	2102	Sd T9Gate
F0	2036	Sd RockRoll St
F#0	2099	Sd T9-3
G0	2100	Sd T9-4
G#0	2102	Sd T9Gate
A0	1615	Bd T9-4
A#0	2101	Sd T9-5
B0	1612	Bd T9-1
C1	1614	Bd T9-3
C#1	2103	Sd T9Rim
D1	2097	Sd T9-1
D#1	1469	Clap T9
E1	2098	Sd T9-2
F1	2450	Tom T9 Lo
F#1	2324	HH Closed T9
G1	2450	Tom T9 Lo
G#1	2325	HH Open T9
A1	2450	Tom T9 Lo
A#1	2325	HH Open T9
B1	2449	Tom T9 Hi
C2	2449	Tom T9 Hi
C#2	2521	Crash T9
D2	2449	Tom T9 Hi
D#2	2524	Ride T9
E2	2516	China2
F2	2510	Ride Cup Mono
F#2	1479	Tambourine RX5
G2	2465	Crash3
G#2	1461	Cowbell1
A2	2466	Crash4
A#2	1474	Cowbell T8
B2	2491	Ride2 R
C3	1473	Conga T8
C#3	1473	Conga T8
D3	1335	Conga Hi Tip
D#3	1341	Conga Hi Slp Open
E3	1339	Conga Hi Open 2
F3	1381	Timbale Hi1-3
F#3	1385	Timbale Lo1-2
G3	1487	Analog Click
G#3	1473	Conga T8
A3	1399	Cabasa1-2
A#3	1397	Maracas Slur
B3	1297	FxGun2
C4	1296	FxGun1
C#4	1312	Scratch H
D4	1314	Scratch Down
D#4	1291	Hi Q1
E4	1291	Hi Q1
F4	1292	Hi Q2
F#4	1313	Scratch L
G4	1313	Scratch L
G#4	1455	Triangle Mute
A4	1454	Triangle Open
A#4	1478	Analog Shaker
B4	1467	Sleigh Bell
C5	1468	Wind Chime
C#5	1915	Sd Piccolo
D5	2108	Sd T8-5
D#5	2039	Sd RockRollD St
E5	2049	Sd Brush Med St
F5	1627	Bd BlpHd
F#5	2116	Sd Jungle1
G5	1651	Bd Sustain
G#5	2120	Sd D&B1
A5	1638	Bd Break2
A#5	2146	Sd Dist
B5	1652	Bd TekPower
C6	1646	Bd Distortion RM

PRE 26 Analog T8 Kit

Note	Wave Number	Wave Name
C0	1619	Bd T8-1
C#0	2112	Sd AnCR
D0	2107	Sd T8-4
D#0	2145	Sd ClapAna
E0	2106	Sd T8-3
F0	2451	Tom T8
F#0	2108	Sd T8-5
G0	1621	Bd T8-3
G#0	2107	Sd T8-4
A0	1620	Bd T8-2
A#0	2106	Sd T8-3
B0	1009	T8 Kick Bass
C1	1620	Bd T8-2
C#1	2109	Sd T8 Rim
D1	2105	Sd T8-2
D#1	1469	Clap T9
E1	2104	Sd T8-1
F1	2451	Tom T8
F#1	2328	HH Closed T8-2
G1	2451	Tom T8
G#1	2327	HH Open T8-1
A1	2451	Tom T8
A#1	2327	HH Open T8-1
B1	2451	Tom T8
C2	2451	Tom T8
C#2	2522	Crash T8
D2	2451	Tom T8
D#2	2524	Ride T9
E2	2516	China2
F2	2510	Ride Cup Mono
F#2	1479	Tambourine RX5
G2	2519	Splash R
G#2	1474	Cowbell T8
A2	2466	Crash4
A#2	1451	Vibraslap
B2	2491	Ride2 R
C3	1473	Conga T8
C#3	1473	Conga T8
D3	1473	Conga T8
D#3	1473	Conga T8
E3	1473	Conga T8
F3	1382	Timbale Hi1
F#3	1386	Timbale Lo1
G3	1269	Glass
G#3	1269	Glass
A3	1399	Cabasa1-2
A#3	1483	MaracasT8
B3	1297	FxGun2
C4	1296	FxGun1
C#4	1478	Analog Shaker
D4	1478	Analog Shaker
D#4	1485	Clave T8
E4	1291	Hi Q1
F4	1292	Hi Q2
F#4	1313	Scratch L
G4	1313	Scratch L
G#4	1455	Triangle Mute
A4	1454	Triangle Open
A#4	1478	Analog Shaker
B4	1467	Sleigh Bell
C5	1468	Wind Chime
C#5	2127	Sd Hip1
D5	2128	Sd Hip2
D#5	2130	Sd Hip Gate
E5	2136	Sd Break1
F5	1626	Bd Blip
F#5	2141	Sd FX1
G5	1648	Bd FxHammer
G#5	2156	Sd Hammer
A5	1649	Bd ZapHard
A#5	2149	Sd Garg L
B5	1652	Bd TekPower
C6	1658	Bd Slimy

PRE 27 Tekno Kit

Note	Wave Number	Wave Name
C0	1658	Bd Slimy
C#0	2103	Sd T9Rim
D0	2108	Sd T8-5
D#0	1469	Clap T9
E0	2099	Sd T9-3
F0	2114	Sd Human1
F#0	2129	Sd Hip3
G0	2100	Sd T9-4
G#0	2128	Sd Hip2
A0	1657	Bd ThickSkin
A#0	2098	Sd T9-2
B0	1644	Bd Distortion4
C1	1650	Bd ZapMid
C#1	2109	Sd T8 Rim
D1	2108	Sd T8-5
D#1	1469	Clap T9
E1	2152	Sd Syn
F1	2451	Tom T8
F#1	2344	HH Closed Lo-Fi
G1	2451	Tom T8
G#1	2345	HH Open Lo-Fi
A1	2451	Tom T8
A#1	2345	HH Open Lo-Fi
B1	2451	Tom T8
C2	2451	Tom T8
C#2	2522	Crash T8
D2	2451	Tom T8
D#2	2524	Ride T9
E2	2465	Crash3
F2	2510	Ride Cup Mono
F#2	1480	Tambourine AnCR
G2	2462	Crash2 L
G#2	1474	Cowbell T8
A2	2521	Crash T9
A#2	1474	Cowbell T8
B2	2523	Crash Syn
C3	1473	Conga T8
C#3	1473	Conga T8
D3	1473	Conga T8
D#3	1473	Conga T8
E3	1473	Conga T8
F3	1381	Timbale Hi1-3
F#3	1385	Timbale Lo1-2
G3	1269	Glass
G#3	1269	Glass
A3	1400	Cabasa1
A#3	1483	MaracasT8
B3	1297	FxGun2
C4	1296	FxGun1
C#4	1312	Scratch H
D4	1314	Scratch Down
D#4	1291	Hi Q1
E4	1291	Hi Q1
F4	1292	Hi Q2
F#4	1313	Scratch L
G4	1313	Scratch L
G#4	1455	Triangle Mute
A4	1454	Triangle Open
A#4	1478	Analog Shaker
B4	1467	Sleigh Bell
C5	1662	Bd Elec4
C#5	1665	Bd ElecComp3
D5	1667	Bd ElecFX2
D#5	1669	Bd ElecClick
E5	1670	Bd ElecPower1
F5	1671	Bd ElecPower2
F#5	1661	Bd Elec3
G5	1659	Bd Elec1
G#5	2090	Sd Elec6
A5	2091	Sd Elec7
A#5	2092	Sd Elec8
B5	2093	Sd Elec9
C6	2096	Sd Elec12

PRE 28 House Kit 1

Note	Wave Number	Wave Name
C0	1615	Bd T9-4
C#0	2109	Sd T8 Rim
D0	2108	Sd T8-5
D#0	1456	HandClap St
E0	2149	Sd Garg L
F0	2042	Sd LiveRoll St
F#0	2099	Sd T9-3
G0	2104	Sd T8-1
G#0	2101	Sd T9-5
A0	1612	Bd T9-1
A#0	2102	Sd T9Gate
B0	1613	Bd T9-2
C1	1613	Bd T9-2
C#1	2103	Sd T9Rim
D1	2097	Sd T9-1
D#1	1469	Clap T9
E1	2098	Sd T9-2
F1	2450	Tom T9 Lo
F#1	2326	HH Closed T8-1
G1	2450	Tom T9 Lo
G#1	2325	HH Open T9
A1	2450	Tom T9 Lo
A#1	2325	HH Open T9
B1	2449	Tom T9 Hi
C2	2449	Tom T9 Hi
C#2	2521	Crash T9
D2	2449	Tom T9 Hi
D#2	2524	Ride T9
E2	2465	Crash3
F2	2510	Ride Cup Mono
F#2	1420	Tambourine1 Hit
G2	2465	Crash3
G#2	1461	Cowbell1
A2	2461	Crash2 St
A#2	1474	Cowbell T8
B2	2485	Ride1 St
C3	1363	Bongo Hi 1Finger 1-2
C#3	1376	Bongo Lo 3Finger 1-2
D3	1335	Conga Hi Tip
D#3	1341	Conga Hi Slp Open
E3	1339	Conga Hi Open 2
F3	1382	Timbale Hi1
F#3	1382	Timbale Hi1
G3	1430	Agogo Lo
G#3	1430	Agogo Lo
A3	1400	Cabasa1
A#3	1397	Maracas Slur
B3	1180	Vox Drum
C4	1180	Vox Drum
C#4	1433	Guiro Short
D4	1432	Guiro Long
D#4	1449	Clave
E4	1450	Wood Block
F4	1450	Wood Block
F#4	1362	Cuica Hi
G4	1361	Cuica Lo
G#4	1455	Triangle Mute
A4	1454	Triangle Open
A#4	1478	Analog Shaker
B4	1467	Sleigh Bell
C5	1468	Wind Chime
C#5	2140	Sd Break Roll
D5	1273	Noise Burst
D#5	1134	Vox Bell
E5	2124	Sd R&B1
F5	1144	VoxAlk
F#5	886	Udo High
G5	1139	Trance Choir
G#5	1154	Swarm
A5	1568	Bd Pop
A#5	2125	Sd R&B1 Rim
B5	1634	Bd R&B2
C6	2465	Crash3

PRE 29 House Kit 2

Note	Wave Number	Wave Name
C0	1613	Bd T9-2
C#0	2109	Sd T8 Rim
D0	44	Brite Piano
D#0	1469	Clap T9
E0	2098	Sd T9-2
F0	2102	Sd T9Gate
F#0	2115	Sd Human2
G0	2141	Sd FX1
G#0	2157	Sd Lo-Fi
A0	1617	Bd T9 Hd2
A#0	2103	Sd T9Rim
B0	1614	Bd T9-3
C1	1616	Bd T9 Hd1
C#1	2103	Sd T9Rim
D1	2098	Sd T9-2
D#1	1273	Noise Burst
E1	1732	Sd Strong L1-4
F1	2152	Sd Syn
F#1	2324	HH Closed T9
G1	2152	Sd Syn
G#1	2325	HH Open T9
A1	2152	Sd Syn
A#1	2325	HH Open T9
B1	2152	Sd Syn
C2	2152	Sd Syn
C#2	2521	Crash T9
D2	2152	Sd Syn
D#2	2524	Ride T9
E2	2523	Crash Syn
F2	2510	Ride Cup Mono
F#2	1420	Tambourine1 Hit
G2	2522	Crash T8
G#2	1461	Cowbell1
A2	2465	Crash3
A#2	1474	Cowbell T8
B2	2485	Ride1 St
C3	1363	Bongo Hi 1Finger 1-2
C#3	1376	Bongo Lo 3Finger 1-2
D3	1336	Conga Hi Heel
D#3	1341	Conga Hi Slp Open
E3	1339	Conga Hi Open 2
F3	2452	Tom Syn1
F#3	2452	Tom Syn1
G3	1487	Analog Click
G#3	2158	Sd Rim SE
A3	1400	Cabasa1
A#3	1397	Maracas Slur
B3	1180	Vox Drum
C4	1180	Vox Drum
C#4	1480	Tambourine AnCR
D4	1478	Analog Shaker
D#4	1485	Clave T8
E4	1479	Tambourine RX5
F4	1475	Cowbell RX11
F#4	1478	Analog Shaker
G4	1315	Scratch Hi F
G#4	1455	Triangle Mute
A4	1454	Triangle Open
A#4	1478	Analog Shaker
B4	1467	Sleigh Bell
C5	1468	Wind Chime
C#5	866	Tabla Bya
D5	867	Tabla Nah
D#5	868	Tabla Mute
E5	1134	Vox Bell
F5	1568	Bd Pop
F#5	886	Udo High
G5	1611	Bd FX Gate
G#5	1273	Noise Burst
A5	1612	Bd T9-1
A#5	2140	Sd Break Roll
B5	2465	Crash3
C6	1299	TurnTable

PRE 30 House Compressed Kit

Note	Wave Number	Wave Name
C0	1615	Bd T9-4
C#0	2109	Sd T8 Rim
D0	2108	Sd T8-5
D#0	1456	HandClap St
E0	2149	Sd Garg L
F0	2042	Sd LiveRoll St
F#0	2099	Sd T9-3
G0	2104	Sd T8-1
G#0	2101	Sd T9-5
A0	1612	Bd T9-1
A#0	2102	Sd T9Gate
B0	1613	Bd T9-2
C1	1614	Bd T9-3
C#1	2103	Sd T9Rim
D1	2097	Sd T9-1
D#1	1469	Clap T9
E1	2098	Sd T9-2
F1	2450	Tom T9 Lo
F#1	2326	HH Closed T8-1
G1	2450	Tom T9 Lo
G#1	2325	HH Open T9
A1	2450	Tom T9 Lo
A#1	2325	HH Open T9
B1	2449	Tom T9 Hi
C2	2449	Tom T9 Hi
C#2	2521	Crash T9
D2	2449	Tom T9 Hi
D#2	2524	Ride T9
E2	2465	Crash3
F2	2510	Ride Cup Mono
F#2	1420	Tambourine1 Hit
G2	2465	Crash3
G#2	1461	Cowbell1
A2	2461	Crash2 St
A#2	1474	Cowbell T8
B2	2485	Ride1 St
C3	1363	Bongo Hi 1Finger 1-2
C#3	1376	Bongo Lo 3Finger 1-2
D3	1335	Conga Hi Tip
D#3	1341	Conga Hi Slp Open
E3	1339	Conga Hi Open 2
F3	1382	Timbale Hi1
F#3	1382	Timbale Hi1
G3	1430	Agogo Lo
G#3	1430	Agogo Lo
A3	1400	Cabasa1
A#3	1397	Maracas Slur
B3	1180	Vox Drum
C4	1180	Vox Drum
C#4	1433	Guiro Short
D4	1432	Guiro Long
D#4	1449	Clave
E4	1450	Wood Block
F4	1450	Wood Block
F#4	1362	Cuica Hi
G4	1361	Cuica Lo
G#4	1455	Triangle Mute
A4	1454	Triangle Open
A#4	1478	Analog Shaker
B4	1467	Sleigh Bell
C5	1468	Wind Chime
C#5	2140	Sd Break Roll
D5	1273	Noise Burst
D#5	1134	Vox Bell
E5	2124	Sd R&B1
F5	1144	VoxAlk
F#5	886	Udo High
G5	1139	Trance Choir
G#5	1154	Swarm
A5	1568	Bd Pop
A#5	2125	Sd R&B1 Rim
B5	1634	Bd R&B2
C6	2465	Crash3

PRE 31 Big Kit

Note	Wave Number	Wave Name
C0	1611	Bd FX Gate
C#0	1376	Bongo Lo 3Finger 1-2
D0	2014	Sd GM
D#0	1456	HandClap St
E0	2009	Sd Gate2
F0	2036	Sd RockRoll St
F#0	1900	Sd Rock Rim1 St
G0	1915	Sd Piccolo
G#0	1912	Sd Rock Flam St
A0	1572	Bd Room2
A#0	2015	Sd Rock Stick1 St
B0	1573	Bd Room3
C1	1610	Bd Gate
C#1	1919	Sd Mid Rim
D1	2008	Sd Gate1
D#1	1470	Clap AnSm
E1	1920	Sd Ambience
F1	2448	Tom Ambience Lo
F#1	2335	HH Closed D&B
G1	2448	Tom Ambience Lo
G#1	2336	HH Pedal D&B
A1	2448	Tom Ambience Lo
A#1	2337	HH Open D&B
B1	2447	Tom Ambience Hi
C2	2447	Tom Ambience Hi
C#2	2461	Crash2 St
D2	2447	Tom Ambience Hi
D#2	2485	Ride1 St
E2	2512	China St
F2	2510	Ride Cup Mono
F#2	1420	Tambourine1 Hit
G2	2465	Crash3
G#2	1461	Cowbell1
A2	2461	Crash2 St
A#2	1451	Vibraslap
B2	2485	Ride1 St
C3	1363	Bongo Hi 1Finger 1-2
C#3	1376	Bongo Lo 3Finger 1-2
D3	1335	Conga Hi Tip
D#3	1341	Conga Hi Slp Open
E3	1339	Conga Hi Open 2
F3	1647	Bd +HH
F#3	1647	Bd +HH
G3	1430	Agogo Lo
G#3	1430	Agogo Lo
A3	1400	Cabasa1
A#3	1397	Maracas Slur
B3	1297	FxGun2
C4	1296	FxGun1
C#4	1312	Scratch H
D4	1314	Scratch Down
D#4	1449	Clave
E4	1450	Wood Block
F4	1450	Wood Block
F#4	1313	Scratch L
G4	1313	Scratch L
G#4	1455	Triangle Mute
A4	1454	Triangle Open
A#4	1407	Shaker 2
B4	1467	Sleigh Bell
C5	1468	Wind Chime
C#5	2146	Sd Dist
D5	2150	Sd FM
D#5	2151	Sd FM Rim
E5	2153	Sd Clappy
F5	1573	Bd Room3
F#5	2154	Sd Timbr
G5	1560	Bd Rock1 St
G#5	2158	Sd Rim SE
A5	1563	Bd Rock2 St
A#5	2140	Sd Break Roll
B5	1631	Bd D&B1
C6	1572	Bd Room2

PRE 32 Break Kit

Note	Wave Number	Wave Name
C0	1636	Bd Break Deep
C#0	1886	Sd Hip 1St
D0	2157	Sd Lo-Fi
D#0	2153	Sd Clappy
E0	2010	Sd LdwHMono
F0	2039	Sd RockRollID St
F#0	2008	Sd Gate1
G0	1918	Sd Mid
G#0	2011	Sd BreakRim
A0	1639	Bd Break Heavy
A#0	2134	Sd Hip Rim4
B0	1638	Bd Break2
C1	1637	Bd Break1
C#1	2131	Sd Hip Rim1
D1	2138	Sd Break3
D#1	2136	Sd Break1
E1	2137	Sd Break2
F1	2359	Tom Low St
F#1	2243	HH Closed Rock S R
G1	2359	Tom Low St
G#1	2256	HH Pedal Rock R
A1	2359	Tom Low St
A#1	2268	HH Half Open Rock R
B1	2351	Tom Hi St
C2	2351	Tom Hi St
C#2	2462	Crash2 L
D2	2351	Tom Hi St
D#2	2490	Ride2 L
E2	2513	China L
F2	2510	Ride Cup Mono
F#2	1420	Tambourine1 Hit
G2	2465	Crash3
G#2	1461	Cowbell1
A2	2463	Crash2 R
A#2	1475	Cowbell RX11
B2	2509	Ride Mono
C3	1363	Bongo Hi 1Finger 1-2
C#3	1376	Bongo Lo 3Finger 1-2
D3	1335	Conga Hi Tip
D#3	1341	Conga Hi Slp Open
E3	1339	Conga Hi Open 2
F3	1363	Bongo Hi 1Finger 1-2
F#3	1376	Bongo Lo 3Finger 1-2
G3	1339	Conga Hi Open 2
G#3	1430	Agogo Lo
A3	1400	Cabasa1
A#3	1397	Maracas Slur
B3	1382	Timbale Hi1
C4	1386	Timbale Lo1
C#4	1312	Scratch H
D4	1314	Scratch Down
D#4	1449	Clave
E4	1450	Wood Block
F4	1450	Wood Block
F#4	1313	Scratch L
G4	1313	Scratch L
G#4	1455	Triangle Mute
A4	1454	Triangle Open
A#4	1407	Shaker 2
B4	1467	Sleigh Bell
C5	1299	TurnTable
C#5	2140	Sd Break Roll
D5	1015	FM Bass5
D#5	1161	Mind Bell
E5	2141	Sd FX1
F5	1563	Bd Rock2 St
F#5	1166	LFO Seq
G5	1268	Ripper
G#5	1273	Noise Burst
A5	1300	Police
A#5	1159	Fairwave
B5	1154	Swarm
C6	1157	Radio Noise

PRE 33 Drum'n'Bass Kit

Note	Wave Number	Wave Name
C0	1635	Bd Hip Deep
C#0	1376	Bongo Lo 3Finger 1-2
D0	2126	Sd R&B2
D#0	2154	Sd Timbr
E0	2122	Sd D&B3
F0	2156	Sd Hammer
F#0	1269	Glass
G0	1632	Bd D&B2
G#0	2197	HH Pedal 3 St
A0	1635	Bd Hip Deep
A#0	2230	HH Open2 St
B0	1640	Bd Break Hard
C1	1631	Bd D&B1
C#1	1919	Sd Mid Rim
D1	2120	Sd D&B1
D#1	1273	Noise Burst
E1	2121	Sd D&B2
F1	2448	Tom Ambience Lo
F#1	2335	HH Closed D&B
G1	2448	Tom Ambience Lo
G#1	2336	HH Pedal D&B
A1	2448	Tom Ambience Lo
A#1	2337	HH Open D&B
B1	2447	Tom Ambience Hi
C2	2447	Tom Ambience Hi
C#2	2462	Crash2 L
D2	2447	Tom Ambience Hi
D#2	2485	Ride1 St
E2	2516	China2
F2	2510	Ride Cup Mono
F#2	1420	Tambourine1 Hit
G2	2465	Crash3
G#2	1461	Cowbell1
A2	2461	Crash2 St
A#2	1451	Vibraslap
B2	2485	Ride1 St
C3	1363	Bongo Hi 1Finger 1-2
C#3	1376	Bongo Lo 3Finger 1-2
D3	1335	Conga Hi Tip
D#3	1341	Conga Hi Slp Open
E3	1339	Conga Hi Open 2
F3	2123	Sd D&B4
F#3	2338	HH Reverse D&B
G3	1430	Agogo Lo
G#3	1430	Agogo Lo
A3	1400	Cabasa1
A#3	1397	Maracas Slur
B3	1297	FxGun2
C4	1296	FxGun1
C#4	1433	Guiro Short
D4	1432	Guiro Long
D#4	1449	Clave
E4	1283	Electric Perc8
F4	1277	Electric Perc2
F#4	1042	P50-1
G4	1288	Electric Perc13
G#4	1299	TurnTable
A4	1454	Triangle Open
A#4	1407	Shaker 2
B4	1467	Sleigh Bell
C5	1468	Wind Chime
C#5	2146	Sd Dist
D5	2150	Sd FM
D#5	2151	Sd FM Rim
E5	2153	Sd Clappy
F5	1631	Bd D&B1
F#5	2154	Sd Timbr
G5	1645	Bd Distortion5
G#5	2158	Sd Rim SE
A5	1644	Bd Distortion4
A#5	2129	Sd Hip3
B5	1658	Bd Slimy
C6	1647	Bd +HH

PRE 34 Acid Kit

Note	Wave Number	Wave Name
C0	1654	Bd Analog Tight
C#0	2109	Sd T8 Rim
D0	2118	Sd Jungle3
D#0	1456	HandClap St
E0	2104	Sd T8-1
F0	2452	Tom Syn1
F#0	1857	Sd BluesHeart L1-3
G0	1864	Sd BluesHeart 3R
G#0	1816	Sd SonA St1-3
A0	1536	Bd Funk St1-2
A#0	1800	Sd Basic St1-3
B0	1626	Bd Blip
C1	1615	Bd T9-4
C#1	2103	Sd T9Rim
D1	2150	Sd FM
D#1	1469	Clap T9
E1	2112	Sd AnCR
F1	2450	Tom T9 Lo
F#1	2339	HH Closed Tek
G1	2450	Tom T9 Lo
G#1	2339	HH Closed Tek
A1	2450	Tom T9 Lo
A#1	2340	HH Open Tek
B1	2449	Tom T9 Hi
C2	2449	Tom T9 Hi
C#2	2521	Crash T9
D2	2449	Tom T9 Hi
D#2	2524	Ride T9
E2	2465	Crash3
F2	2506	Ride Cup2 L
F#2	1420	Tambourine1 Hit
G2	2465	Crash3
G#2	1461	Cowbell1
A2	2517	Splash St
A#2	1474	Cowbell T8
B2	2509	Ride Mono
C3	1363	Bongo Hi 1Finger 1-2
C#3	1376	Bongo Lo 3Finger 1-2
D3	1335	Conga Hi Tip
D#3	1341	Conga Hi Slp Open
E3	1339	Conga Hi Open 2
F3	1382	Timbale Hi1
F#3	1382	Timbale Hi1
G3	1429	Agogo Hi
G#3	1430	Agogo Lo
A3	1400	Cabasa1
A#3	1397	Maracas Slur
B3	1297	FxGun2
C4	1296	FxGun1
C#4	1312	Scratch H
D4	1314	Scratch Down
D#4	1291	Hi Q1
E4	1291	Hi Q1
F4	1292	Hi Q2
F#4	1313	Scratch L
G4	1313	Scratch L
G#4	1455	Triangle Mute
A4	1454	Triangle Open
A#4	1478	Analog Shaker
B4	1467	Sleigh Bell
C5	1468	Wind Chime
C#5	2101	Sd T9-5
D5	2101	Sd T9-5
D#5	2101	Sd T9-5
E5	2101	Sd T9-5
F5	1624	Bd Human1
F#5	2120	Sd D&B1
G5	2641	Acoustic Bass FX03
G#5	1069	DigiOsc4
A5	1068	DigiOsc3
A#5	2136	Sd Break1
B5	1628	Bd Jungle1
C6	1639	Bd Break Heavy

PRE 35 Jungle Kit

Note	Wave Number	Wave Name
C0	1629	Bd Jungle2
C#0	1919	Sd Mid Rim
D0	2118	Sd Jungle3
D#0	2118	Sd Jungle3
E0	1916	Sd Piccolo Rim1
F0	2045	Sd Roll Mono
F#0	2155	Sd Wood
G0	2126	Sd R&B2
G#0	2121	Sd D&B2
A0	1629	Bd Jungle2
A#0	2119	Sd JungleFX
B0	1619	Bd T8-1
C1	1628	Bd Jungle1
C#1	2134	Sd Hip Rim4
D1	2117	Sd Jungle2
D#1	2119	Sd JungleFX
E1	2118	Sd Jungle3
F1	2364	Tom Floor L
F#1	2241	HH Closed Rock Sw R
G1	2360	Tom Low L
G#1	2249	HH Pedal Rock Sw R
A1	2357	Tom Mid R
A#1	2264	HH Open Rock Sw R
B1	2357	Tom Mid R
C2	2353	Tom Hi R
C#2	2462	Crash2 L
D2	2353	Tom Hi R
D#2	2491	Ride2 R
E2	2516	China2
F2	2510	Ride Cup Mono
F#2	1420	Tambourine1 Hit
G2	2465	Crash3
G#2	1461	Cowbell1
A2	2461	Crash2 St
A#2	1451	Vibraslap
B2	2485	Ride1 St
C3	1363	Bongo Hi 1Finger 1-2
C#3	1376	Bongo Lo 3Finger 1-2
D3	1335	Conga Hi Tip
D#3	1341	Conga Hi Slp Open
E3	1339	Conga Hi Open 2
F3	867	Tabla Nah
F#3	866	Tabla Bya
G3	1430	Agogo Lo
G#3	1430	Agogo Lo
A3	1400	Cabasa1
A#3	1397	Maracas Slur
B3	1382	Timbale Hi1
C4	1386	Timbale Lo1
C#4	1433	Guiro Short
D4	1432	Guiro Long
D#4	1449	Clave
E4	1450	Wood Block
F4	1450	Wood Block
F#4	1362	Cuica Hi
G4	1361	Cuica Lo
G#4	1455	Triangle Mute
A4	1454	Triangle Open
A#4	1407	Shaker 2
B4	1467	Sleigh Bell
C5	1468	Wind Chime
C#5	2338	HH Reverse D&B
D5	1311	RainLoop
D#5	1312	Scratch H
E5	1313	Scratch L
F5	1627	Bd BlpHd
F#5	2152	Sd Syn
G5	1272	IndusTom
G#5	1422	Pandeiro Open
A5	1268	Ripper
A#5	1306	TelRing
B5	1318	Scratch Lo R
C6	1295	Tape Rewind

PRE 36 Electric Kit

Note	Wave Number	Wave Name
C0	1623	Bd AnCR
C#0	1626	Bd Blip
D0	2108	Sd T8-5
D#0	1470	Clap AnSm
E0	2132	Sd Hip Rim2
F0	2045	Sd Roll Mono
F#0	2104	Sd T8-1
G0	2112	Sd AnCR
G#0	2105	Sd T8-2
A0	1619	Bd T8-1
A#0	2107	Sd T8-4
B0	1626	Bd Blip
C1	1620	Bd T8-2
C#1	2109	Sd T8 Rim
D1	2106	Sd T8-3
D#1	1469	Clap T9
E1	1470	Clap AnSm
F1	2453	Tom Syn2
F#1	2328	HH Closed T8-2
G1	2453	Tom Syn2
G#1	2327	HH Open T8-1
A1	2453	Tom Syn2
A#1	2329	HH Open T8-2
B1	2453	Tom Syn2
C2	2453	Tom Syn2
C#2	2521	Crash T9
D2	2453	Tom Syn2
D#2	2524	Ride T9
E2	2465	Crash3
F2	2523	Crash Syn
F#2	2522	Crash T8
G2	2465	Crash3
G#2	2158	Sd Rim SE
A2	2461	Crash2 St
A#2	1474	Cowbell T8
B2	2523	Crash Syn
C3	2451	Tom T8
C#3	2451	Tom T8
D3	2451	Tom T8
D#3	2451	Tom T8
E3	2451	Tom T8
F3	1310	Applause
F#3	1301	Door Squeak
G3	1302	Heart Beat
G#3	1294	Bomb
A3	2345	HH Open Lo-Fi
A#3	1406	Shaker 1
B3	1275	Zap2
C4	1274	Zap1
C#4	1312	Scratch H
D4	1313	Scratch L
D#4	1291	Hi Q1
E4	1291	Hi Q1
F4	1292	Hi Q2
F#4	1313	Scratch L
G4	1179	Hit Orchestra2
G#4	2348	HH Closed FX
A4	2349	HH Open FX
A#4	1478	Analog Shaker
B4	1478	Analog Shaker
C5	1299	TurnTable
C#5	2140	Sd Break Roll
D5	1015	FM Bass5
D#5	1161	Mind Bell
E5	2137	Sd Break2
F5	1563	Bd Rock2 St
F#5	1157	Radio Noise
G5	1268	Ripper
G#5	1273	Noise Burst
A5	1326	Scratch Spin
A#5	1146	Bell Choir
B5	1149	Hi-Lo
C6	1157	Radio Noise

PRE 37 Human Kit

Note	Wave Number	Wave Name
C0	1624	Bd Human1
C#0	1323	Scratch Vo F
D0	1178	Hit Uhh
D#0	1324	Scratch Vo R
E0	2119	Sd JungleFX
F0	2036	Sd RockRoll St
F#0	2136	Sd Break1
G0	2112	Sd AnCR
G#0	2097	Sd T9-1
A0	1651	Bd Sustain
A#0	2021	Sd Hip Stick1
B0	1625	Bd Human2
C1	1625	Bd Human2
C#1	2155	Sd Wood
D1	2114	Sd Human1
D#1	2148	Sd Garg H
E1	2115	Sd Human2
F1	1624	Bd Human1
F#1	2350	HH Open Human
G1	1624	Bd Human1
G#1	2350	HH Open Human
A1	1624	Bd Human1
A#1	2350	HH Open Human
B1	1624	Bd Human1
C2	1624	Bd Human1
C#2	1273	Noise Burst
D2	1624	Bd Human1
D#2	2522	Crash T8
E2	2516	China2
F2	2510	Ride Cup Mono
F#2	1322	Scratch Sd R
G2	2517	Splash St
G#2	1180	Vox Drum
A2	2466	Crash4
A#2	1482	Electric Tambourine2
B2	1177	Stab Aah
C3	1363	Bongo Hi 1Finger 1-2
C#3	1376	Bongo Lo 3Finger 1-2
D3	1335	Conga Hi Tip
D#3	1341	Conga Hi Slp Open
E3	1339	Conga Hi Open 2
F3	1381	Timbale Hi1-3
F#3	1385	Timbale Lo1-2
G3	1430	Agogo Lo
G#3	1430	Agogo Lo
A3	1400	Cabasa1
A#3	1397	Maracas Slur
B3	1297	FxGun2
C4	1294	Bomb
C#4	1312	Scratch H
D4	1314	Scratch Down
D#4	1317	Scratch Lo F
E4	1318	Scratch Lo R
F4	1292	Hi Q2
F#4	1313	Scratch L
G4	1313	Scratch L
G#4	1455	Triangle Mute
A4	1454	Triangle Open
A#4	1407	Shaker 2
B4	1467	Sleigh Bell
C5	1299	TurnTable
C#5	1902	Sd Rock Rim1 R
D5	1303	Helicopter
D#5	1175	Stab Hard
E5	2008	Sd Gate1
F5	1560	Bd Rock1 St
F#5	1314	Scratch Down
G5	1622	Bd AnSm
G#5	1169	Sonar1
A5	861	Wataiko
A#5	861	Wataiko
B5	1143	HH Hit
C6	1176	Stab Organ2

PRE 38 Hard Kit

Note	Wave Number	Wave Name
C0	1643	Bd Distortion3
C#0	2155	Sd Wood
D0	2008	Sd Gate1
D#0	1456	HandClap St
E0	2009	Sd Gate2
F0	2045	Sd Roll Mono
F#0	2145	Sd ClapAna
G0	2129	Sd Hip3
G#0	1268	Ripper
A0	1646	Bd Distortion RM
A#0	2109	Sd T8 Rim
B0	1642	Bd Distortion2
C1	1641	Bd Distortion1
C#1	1919	Sd Mid Rim
D1	2146	Sd Dist
D#1	1273	Noise Burst
E1	2142	Sd FX2
F1	2456	Tom Dist Lo
F#1	2324	HH Closed T9
G1	2456	Tom Dist Lo
G#1	2325	HH Open T9
A1	2456	Tom Dist Lo
A#1	2325	HH Open T9
B1	2455	Tom Dist Hi
C2	2455	Tom Dist Hi
C#2	2521	Crash T9
D2	2455	Tom Dist Hi
D#2	2524	Ride T9
E2	2516	China2
F2	2510	Ride Cup Mono
F#2	1480	Tambourine AnCR
G2	2465	Crash3
G#2	1474	Cowbell T8
A2	2461	Crash2 St
A#2	1451	Vibraslap
B2	2485	Ride1 St
C3	2154	Sd Timbr
C#3	2154	Sd Timbr
D3	1335	Conga Hi Tip
D#3	1341	Conga Hi Slp Open
E3	1339	Conga Hi Open 2
F3	1647	Bd +HH
F#3	1647	Bd +HH
G3	1269	Glass
G#3	1269	Glass
A3	1400	Cabasa1
A#3	1397	Maracas Slur
B3	1297	FxGun2
C4	1296	FxGun1
C#4	1312	Scratch H
D4	1314	Scratch Down
D#4	1291	Hi Q1
E4	1291	Hi Q1
F4	1292	Hi Q2
F#4	1313	Scratch L
G4	1313	Scratch L
G#4	1455	Triangle Mute
A4	1454	Triangle Open
A#4	1478	Analog Shaker
B4	1467	Sleigh Bell
C5	1468	Wind Chime
C#5	2146	Sd Dist
D5	2150	Sd FM
D#5	2151	Sd FM Rim
E5	2153	Sd Clappy
F5	1648	Bd FxHammer
F#5	1272	IndusTom
G5	1631	Bd D&B1
G#5	1272	IndusTom
A5	1573	Bd Room3
A#5	1272	IndusTom
B5	1615	Bd T9-4
C6	2156	Sd Hammer

PRE 39 Distorted Kit

Note	Wave Number	Wave Name
C0	1487	Analog Click
C#0	2046	Sd Brush Soft St
D0	2058	Sd Brush Swir St
D#0	2049	Sd Brush Med St
E0	2061	Sd Brush SwirAtt St
F0	2042	Sd LiveRoll St
F#0	1448	Castanet
G0	1768	Sd Normal 1St
G#0	1446	Stick1
A0	1565	Bd Rock2 R
A#0	1871	Sd Tight 1St
B0	1637	Bd Break1
C1	1565	Bd Rock2 R
C#1	2020	Sd Rock Stick2 R
D1	1827	Sd SonA 1L
D#1	1457	HandClap L
E1	1916	Sd Piccolo Rim1
F1	2448	Tom Ambience Lo
F#1	2252	HH Closed Rock 2R
G1	2448	Tom Ambience Lo
G#1	2256	HH Pedal Rock R
A1	2448	Tom Ambience Lo
A#1	2266	HH Open Rock R
B1	2447	Tom Ambience Hi
C2	2447	Tom Ambience Hi
C#2	2462	Crash2 L
D2	2447	Tom Ambience Hi
D#2	2491	Ride2 R
E2	2513	China L
F2	2507	Ride Cup2 R
F#2	1419	Tambourine1 Sw
G2	2519	Splash R
G#2	1464	Mambo B12
A2	2462	Crash2 L
A#2	1451	Vibraslap
B2	2485	Ride1 St
C3	1363	Bongo Hi 1Finger 1-2
C#3	1376	Bongo Lo 3Finger 1-2
D3	1335	Conga Hi Tip
D#3	1341	Conga Hi Slp Open
E3	1339	Conga Hi Open 2
F3	1381	Timbale Hi1-3
F#3	1385	Timbale Lo1-2
G3	1429	Agogo Hi
G#3	1430	Agogo Lo
A3	1399	Cabasa1-2
A#3	1397	Maracas Slur
B3	1452	Whistle
C4	1452	Whistle
C#4	1433	Guiro Short
D4	1432	Guiro Long
D#4	1449	Clave
E4	1450	Wood Block
F4	1450	Wood Block
F#4	1332	Scratch Combi2
G4	1316	Scratch Hi R
G#4	1455	Triangle Mute
A4	1454	Triangle Open
A#4	1406	Shaker 1
B4	1467	Sleigh Bell
C5	1468	Wind Chime
C#5	1915	Sd Piccolo
D5	2013	Sd Heavy
D#5	2145	Sd ClapAna
E5	1916	Sd Piccolo Rim1
F5	1572	Bd Room2
F#5	1918	Sd Mid
G5	1573	Bd Room3
G#5	1919	Sd Mid Rim
A5	1610	Bd Gate
A#5	2008	Sd Gate1
B5	1611	Bd FX Gate
C6	1631	Bd D&B1

PRE 40 Ambient Kit

Note	Wave Number	Wave Name
C0	1626	Bd Blip
C#0	1292	Hi Q2
D0	1917	Sd Piccolo Rim2
D#0	1291	Hi Q1
E0	2112	Sd AnCR
F0	2452	Tom Syn1
F#0	2346	HH Closed Syn
G0	2452	Tom Syn1
G#0	2348	HH Closed FX
A0	2453	Tom Syn2
A#0	2347	HH Open Syn
B0	1623	Bd AnCR
C1	1612	Bd T9-1
C#1	2023	Sd Hip Stick3
D1	2116	Sd Jungle1
D#1	1469	Clap T9
E1	2116	Sd Jungle1
F1	2451	Tom T8
F#1	2328	HH Closed T8-2
G1	2451	Tom T8
G#1	2327	HH Open T8-1
A1	2451	Tom T8
A#1	2329	HH Open T8-2
B1	2451	Tom T8
C2	2451	Tom T8
C#2	2523	Crash Syn
D2	2451	Tom T8
D#2	2524	Ride T9
E2	2465	Crash3
F2	2510	Ride Cup Mono
F#2	1420	Tambourine1 Hit
G2	2465	Crash3
G#2	1474	Cowbell T8
A2	2461	Crash2 St
A#2	1451	Vibraslap
B2	2485	Ride1 St
C3	1363	Bongo Hi 1Finger 1-2
C#3	1376	Bongo Lo 3Finger 1-2
D3	1335	Conga Hi Tip
D#3	1341	Conga Hi Slp Open
E3	1339	Conga Hi Open 2
F3	1381	Timbale Hi1-3
F#3	1385	Timbale Lo1-2
G3	1269	Glass
G#3	1269	Glass
A3	1400	Cabasa1
A#3	1483	MaracasT8
B3	1307	Bird
C4	1183	Engine Room St
C#4	1289	Electric Perc14
D4	1309	Gunshot
D#4	1485	Clave T8
E4	1450	Wood Block
F4	1450	Wood Block
F#4	1480	Tambourine AnCR
G4	1476	Cowbell AnCR
G#4	1455	Triangle Mute
A4	1454	Triangle Open
A#4	1478	Analog Shaker
B4	1467	Sleigh Bell
C5	1468	Wind Chime
C#5	2108	Sd T8-5
D5	1169	Sonar1
D#5	2108	Sd T8-5
E5	1169	Sonar1
F5	1153	Bubble
F#5	2108	Sd T8-5
G5	1153	Bubble
G#5	2108	Sd T8-5
A5	1141	Eery
A#5	2108	Sd T8-5
B5	1136	FX Chime
C6	1136	FX Chime

PRE 41 Garage Kit

Note	Wave Number	Wave Name
C0	1653	Bd Hard Long
C#0	1612	Bd T9-1
D0	1658	Bd Slimy
D#0	1655	Bd AnaHard
E0	1644	Bd Distortion4
F0	1665	Bd ElecComp3
F#0	1635	Bd Hip Deep
G0	1648	Bd FxHammer
G#0	1614	Bd T9-3
A0	1621	Bd T8-3
A#0	1651	Bd Sustain
B0	1634	Bd R&B2
C1	1616	Bd T9 Hd1
C#1	1658	Bd Slimy
D1	2104	Sd T8-1
D#1	2109	Sd T8 Rim
E1	2153	Sd Clappy
F1	1841	Sd Blues 3St
F#1	2212	HH Open 2St
G1	2328	HH Closed T8-2
G#1	2212	HH Open 2St
A1	2329	HH Open T8-2
A#1	2212	HH Open 2St
B1	2329	HH Open T8-2
C2	1470	Clap AnSm
C#2	2461	Crash2 St
D2	2521	Crash T9
D#2	2485	Ride1 St
E2	2524	Ride T9
F2	1487	Analog Click
F#2	1485	Clave T8
G2	1470	Clap AnSm
G#2	1469	Clap T9
A2	1478	Analog Shaker
A#2	1473	Conga T8
B2	1473	Conga T8
C3	2112	Sd AnCR
C#3	2036	Sd RockRoll St
D3	1429	Agogo Hi
D#3	2515	China RL
E3	1292	Hi Q2
F3	1291	Hi Q1
F#3	1275	Zap2
G3	1274	Zap1
G#3	1275	Zap2
A3	1301	Door Squeak
A#3	1333	Scratch Combi3
B3	2604	AcousticGtr FX27 St
C4	335	Play FX Mix
C#4	1315	Scratch Hi F
D4	44	Brite Piano
D#4	44	Brite Piano
E4	44	Brite Piano
F4	1164	Resonance X-Fade
F#4	1169	Sonar1
G4	1180	Vox Drum
G#4	1180	Vox Drum
A4	1180	Vox Drum
A#4	2347	HH Open Syn
B4	2346	HH Closed Syn
C5	1044	Tri Wave
C#5	1044	Tri Wave
D5	1044	Tri Wave
D#5	1044	Tri Wave
E5	1044	Tri Wave
F5	1044	Tri Wave
F#5	1044	Tri Wave
G5	1044	Tri Wave
G#5	1044	Tri Wave
A5	1044	Tri Wave
A#5	1044	Tri Wave
B5	1044	Tri Wave
C6	1044	Tri Wave

PRE 42 Synth Pop Kit

Note	Wave Number	Wave Name
C0	1679	Bd HipHop8
C#0	1612	Bd T9-1
D0	1626	Bd Blip
D#0	1640	Bd Break Hard
E0	1666	Bd ElecFX1
F0	1668	Bd ElecGate
F#0	1667	Bd ElecFX2
G0	1642	Bd Distortion2
G#0	1657	Bd ThickSkin
A0	1664	Bd ElecComp2
A#0	1660	Bd Elec2
B0	1669	Bd ElecClick
C1	1669	Bd ElecClick
C#1	2103	Sd T9Rim
D1	2096	Sd Elec12
D#1	1469	Clap T9
E1	2092	Sd Elec8
F1	2450	Tom T9 Lo
F#1	2324	HH Closed T9
G1	2450	Tom T9 Lo
G#1	2325	HH Open T9
A1	2450	Tom T9 Lo
A#1	2325	HH Open T9
B1	2449	Tom T9 Hi
C2	2449	Tom T9 Hi
C#2	2521	Crash T9
D2	2449	Tom T9 Hi
D#2	2524	Ride T9
E2	2521	Crash T9
F2	2524	Ride T9
F#2	1482	Electric Tambourine2
G2	2521	Crash T9
G#2	1477	Electric Cowbell
A2	2521	Crash T9
A#2	1481	Electric Tambourine1
B2	2524	Ride T9
C3	1280	Electric Perc5
C#3	1279	Electric Perc4
D3	1287	Electric Perc12
D#3	1281	Electric Perc6
E3	1276	Electric Perc1
F3	1270	Bell FX1
F#3	1271	Bell FX2
G3	1329	Scratch Attack
G#3	1330	Scratch R&B
A3	1399	Cabasa1-2
A#3	1397	Maracas Slur
B3	1289	Electric Perc14
C4	1290	Electric Perc15
C#4	1410	Shaker Hip2
D4	1278	Electric Perc3
D#4	1282	Electric Perc7
E4	1283	Electric Perc8
F4	1284	Electric Perc9
F#4	1285	Electric Perc10
G4	1288	Electric Perc13
G#4	1455	Triangle Mute
A4	1454	Triangle Open
A#4	1484	Electric Maracas
B4	1486	Electric Triangle
C5	1286	Electric Perc11
C#5	2085	Sd Elec1
D5	2093	Sd Elec9
D#5	2094	Sd Elec10
E5	2095	Sd Elec11
F5	2086	Sd Elec2
F#5	2087	Sd Elec3
G5	2088	Sd Elec4
G#5	2089	Sd Elec5
A5	2090	Sd Elec6
A#5	2091	Sd Elec7
B5	1471	Electric Clap1
C6	1472	Electric Clap2

PRE 43 Orchestra Kit

Note	Wave Number	Wave Name
C0	1487	Analog Click
C#0	2050	Sd Brush Med L
D0	2060	Sd Brush Swir R
D#0	2050	Sd Brush Med L
E0	2063	Sd Brush SwirAtt R
F0	2082	Sd Orch Roll St
F#0	1448	Castanet
G0	2065	Sd Orch1 S St
G#0	1446	Stick1
A0	1607	Bd Gran Casa Mute St
A#0	2070	Sd Orch1 H L
B0	1607	Bd Gran Casa Mute St
C1	1604	Bd Gran Casa Open St
C#1	2033	Sd Closed Rim R
D1	2066	Sd Orch1 H St
D#1	1456	HandClap St
E1	2075	Sd Orch2 H St
F1	137	Timpani Sw St
F#1	2174	HH Closed 1-4St
G1	137	Timpani Sw St
G#1	2199	HH Pedal 1-3 R
A1	137	Timpani Sw St
A#1	2210	HH Open 1-2St
B1	137	Timpani Sw St
C2	137	Timpani Sw St
C#2	2479	Hand Cymbal Open St
D2	137	Timpani Sw St
D#2	2485	Ride1 St
E2	2512	China St
F2	2493	Ride Cup1 St
F#2	1420	Tambourine1 Hit
G2	2482	Hand Cymbal Mute St
G#2	1462	Cowbell2
A2	2457	Crash1 St
A#2	1451	Vibraslap
B2	2489	Ride2 St
C3	1363	Bongo Hi 1Finger 1-2
C#3	1376	Bongo Lo 3Finger 1-2
D3	1335	Conga Hi Tip
D#3	1339	Conga Hi Open 2
E3	1357	Tumba Open
F3	1381	Timbale Hi1-3
F#3	1385	Timbale Lo1-2
G3	1429	Agogo Hi
G#3	1430	Agogo Lo
A3	1399	Cabasa1-2
A#3	1397	Maracas Slur
B3	1452	Whistle
C4	1452	Whistle
C#4	1433	Guiro Short
D4	1432	Guiro Long
D#4	1449	Clave
E4	1450	Wood Block
F4	1450	Wood Block
F#4	1362	Cuica Hi
G4	1361	Cuica Lo
G#4	1455	Triangle Mute
A4	1454	Triangle Open
A#4	1406	Shaker 1
B4	1467	Sleigh Bell
C5	1468	Wind Chime
C#5	1450	Wood Block
D5	1450	Wood Block
D#5	1450	Wood Block
E5	1450	Wood Block
F5	1450	Wood Block
F#5	1450	Wood Block
G5	1450	Wood Block
G#5	1450	Wood Block
A5	1450	Wood Block
A#5	1450	Wood Block
B5	1450	Wood Block
C6	1450	Wood Block

PRE 44 Drum Machines Kit

Note	Wave Number	Wave Name
C0	1653	Bd Hard Long
C#0	1652	Bd TekPower
D0	1645	Bd Distortion5
D#0	1643	Bd Distortion3
E0	1641	Bd Distortion1
F0	1631	Bd D&B1
F#0	1626	Bd Blip
G0	1622	Bd AnSm
G#0	1620	Bd T8-2
A0	1621	Bd T8-3
A#0	1618	Bd T9 Hd3
B0	1613	Bd T9-2
C1	1614	Bd T9-3
C#1	2103	Sd T9Rim
D1	2107	Sd T9-1
D#1	1469	Clap T9
E1	2100	Sd T9-4
F1	2450	Tom T9 Lo
F#1	2324	HH Closed T9
G1	2450	Tom T9 Lo
G#1	2325	HH Open T9
A1	2450	Tom T9 Lo
A#1	2325	HH Open T9
B1	2450	Tom T9 Lo
C2	2450	Tom T9 Lo
C#2	2521	Crash T9
D2	1473	Conga T8
D#2	2524	Ride T9
E2	1473	Conga T8
F2	1487	Analog Click
F#2	1485	Clave T8
G2	1483	MaracasT8
G#2	1480	Tambourine AnCR
A2	1478	Analog Shaker
A#2	1474	Cowbell T8
B2	1476	Cowbell AnCR
C3	2104	Sd T8-1
C#3	2105	Sd T8-2
D3	2106	Sd T8-3
D#3	2112	Sd AnCR
E3	2116	Sd Jungle1
F3	2120	Sd D&B1
F#3	2127	Sd Hip1
G3	2124	Sd R&B1
G#3	2126	Sd R&B2
A3	2127	Sd Hip1
A#3	2155	Sd Wood
B3	2154	Sd Timbr
C4	2326	HH Closed T8-1
C#4	2327	HH Open T8-1
D4	2328	HH Closed T8-2
D#4	2329	HH Open T8-2
E4	2197	HH Pedal 3 St
F4	2212	HH Open 2St
F#4	2212	HH Open 2St
G4	2344	HH Closed Lo-Fi
G#4	2345	HH Open Lo-Fi
A4	2346	HH Closed Syn
A#4	2347	HH Open Syn
B4	1478	Analog Shaker
C5	1479	Tambourine RX5
C#5	1479	Tambourine RX5
D5	1477	Electric Cowbell
D#5	1473	Conga T8
E5	1486	Electric Triangle
F5	1485	Clave T8
F#5	1478	Analog Shaker
G5	1471	Electric Clap1
G#5	1472	Electric Clap2
A5	1480	Tambourine AnCR
A#5	1474	Cowbell T8
B5	1487	Analog Click
C6	1475	Cowbell RX11

PRE 45 Rock Multiple Kits

Note	Wave Number	Wave Name
C0	1527	Bd Normal St1-2
C#0	2015	Sd Rock Stick1 St
D0	1903	Sd Rock Open2 St
D#0	2036	Sd RockRoll St
E0	1894	Sd Rock Open1 St
F0	2359	Tom Low St
F#0	2222	HH Closed Foot St
G0	2359	Tom Low St
G#0	2197	HH Pedal 3 St
A0	2355	Tom Mid St
A#0	2212	HH Open 2St
B0	2351	Tom Hi St
C1	1563	Bd Rock2 St
C#1	2015	Sd Rock Stick1 St
D1	1903	Sd Rock Open2 St
D#1	1456	HandClap St
E1	1906	Sd Rock Mute2 St
F1	2375	Tom Rock Low St
F#1	2234	HH Closed Rock Sw St
G1	2375	Tom Rock Low St
G#1	2246	HH Pedal Rock Sw St
A1	2371	Tom Rock Mid St
A#1	2258	HH Open Rock Sw St
B1	2371	Tom Rock Mid St
C2	2367	Tom Rock Hi St
C#2	2461	Crash2 St
D2	2367	Tom Rock Hi St
D#2	2485	Ride1 St
E2	2512	China St
F2	2493	Ride Cup1 St
F#2	1419	Tambourine1 Sw
G2	2517	Splash St
G#2	1461	Cowbell1
A2	2461	Crash2 St
A#2	1406	Shaker 1
B2	2485	Ride1 St
C3	1560	Bd Rock1 St
C#3	2018	Sd Rock Stick2 St
D3	1894	Sd Rock Open1 St
D#3	1469	Clap T9
E3	1897	Sd Rock Mute1 St
F3	2375	Tom Rock Low St
F#3	2234	HH Closed Rock Sw St
G3	2375	Tom Rock Low St
G#3	2254	HH Pedal Rock St
A3	2371	Tom Rock Mid St
A#3	2262	HH Half Open Rock St
B3	2371	Tom Rock Mid St
C4	2367	Tom Rock Hi St
C#4	2461	Crash2 St
D4	2367	Tom Rock Hi St
D#4	2490	Ride2 L
E4	2512	China St
F4	2493	Ride Cup1 St
F#4	1420	Tambourine1 Hit
G4	2517	Splash St
G#4	1464	Mambo Bl2
A4	2461	Crash2 St
A#4	1413	Shekere Down
B4	2491	Ride2 R
C5	1536	Bd Funk St1-2
C#5	2015	Sd Rock Stick1 St
D5	1900	Sd Rock Rim1 St
D#5	1912	Sd Rock Flam St
E5	1909	Sd Rock Rim2 St
F5	2363	Tom Floor St
F#5	2178	HH Closed 4St
G5	2359	Tom Low St
G#5	2197	HH Pedal 3 St
A5	2355	Tom Mid St
A#5	2230	HH Open2 St
B5	2355	Tom Mid St
C6	2351	Tom Hi St

PRE 46 HipHop Multiple Kits

Note	Wave Number	Wave Name
C0	1621	Bd T8-3
C#0	2109	Sd T8 Rim
D0	2167	Sd HipHop11
D#0	1469	Clap T9
E0	2165	Sd HipHop9
F0	1621	Bd T8-3
F#0	2339	HH Closed Tek
G0	1621	Bd T8-3
G#0	2340	HH Open Tek
A0	1621	Bd T8-3
A#0	2340	HH Open Tek
B0	1621	Bd T8-3
C1	1635	Bd Hip Deep
C#1	2024	Sd Hip Stick4
D1	2131	Sd Hip Rim1
D#1	1488	HipHop clap1
E1	2128	Sd Hip2
F1	2451	Tom T8
F#1	2328	HH Closed T8-2
G1	2451	Tom T8
G#1	2332	HH Open AnCR
A1	2451	Tom T8
A#1	2327	HH Open T8-1
B1	2451	Tom T8
C2	2451	Tom T8
C#2	2521	Crash T9
D2	2451	Tom T8
D#2	2523	Crash Syn
E2	2523	Crash Syn
F2	2522	Crash T8
F#2	1479	Tambourine RX5
G2	2519	Splash R
G#2	1474	Cowbell T8
A2	2521	Crash T9
A#2	1476	Cowbell AnCR
B2	2524	Ride T9
C3	1635	Bd Hip Deep
C#3	2025	Sd Hip Stick5
D3	2132	Sd Hip Rim2
D#3	1489	HipHop clap2
E3	2127	Sd Hip1
F3	2450	Tom T9 Lo
F#3	2330	HH Closed RX5
G3	2450	Tom T9 Lo
G#3	2331	HH Closed AnCR
A3	2450	Tom T9 Lo
A#3	2329	HH Open T8-2
B3	2450	Tom T9 Lo
C4	2449	Tom T9 Hi
C#4	2463	Crash2 R
D4	2449	Tom T9 Hi
D#4	2522	Crash T8
E4	2523	Crash Syn
F4	2522	Crash T8
F#4	1420	Tambourine1 Hit
G4	2514	China R
G#4	1475	Cowbell RX11
A4	2462	Crash2 L
A#4	1461	Cowbell1
B4	2491	Ride2 R
C5	1635	Bd Hip Deep
C#5	2171	Sd HipHop Rim4
D5	2160	Sd HipHop2
D#5	1489	HipHop clap2
E5	2135	Sd Hip Rim5
F5	2456	Tom Dist Lo
F#5	2341	HH Closed Hip
G5	2456	Tom Dist Lo
G#5	2342	HH Pedal Hip
A5	2455	Tom Dist Hi
A#5	2343	HH Open Hip
B5	2455	Tom Dist Hi
C6	2455	Tom Dist Hi

PRE 47 Percussion Kit

Note	Wave Number	Wave Name
C0	861	Wataiko
C#0	886	Udo High
D0	864	Djembe Open
D#0	1353	Quinto1 Open
E0	887	Udo Low
F0	885	Udo Finger
F#0	886	Udo High
G0	866	Tabla Bya
G#0	1426	Tmbourim Open
A0	868	Tabla Mute
A#0	867	Tabla Nah
B0	868	Tabla Mute
C1	137	Timpani Sw St
C#1	1178	Hit Uhh
D1	1363	Bongo Hi 1Finger 1-2
D#1	1469	Clap T9
E1	1455	Triangle Mute
F1	1454	Triangle Open
F#1	1448	Castanet
G1	1448	Castanet
G#1	1448	Castanet
A1	1432	Guiro Long
A#1	1434	Guiro Swp
B1	1433	Guiro Short
C2	1451	Vibraslap
C#2	1449	Clave
D2	1485	Clave T8
D#2	1361	Cuica Lo
E2	1362	Cuica Hi
F2	1385	Timbale Lo1-2
F#2	1450	Wood Block
G2	1387	Timbale Lo2
G#2	1450	Wood Block
A2	1381	Timbale Hi1-3
A#2	1466	ChaCha
B2	1383	Timbale Hi2
C3	1390	Timbale Paila L
C#3	1390	Timbale Paila L
D3	1389	Timbale Paila H
D#3	1463	Mambo B1
E3	1376	Bongo Lo 3Finger 1-2
F3	1376	Bongo Lo 3Finger 1-2
F#3	1459	Handbell L
G3	1363	Bongo Hi 1Finger 1-2
G#3	1460	Handbell H
A3	1363	Bongo Hi 1Finger 1-2
A#3	1430	Agogo Lo
B3	1429	Agogo Hi
C4	1336	Conga Hi Heel
C#4	1335	Conga Hi Tip
D4	1358	Tumba Slap
D#4	1397	Maracas Slur
E4	1357	Tumba Open
F4	1336	Conga Hi Heel
F#4	1335	Conga Hi Tip
G4	1341	Conga Hi Slp Open
G#4	1406	Shaker 1
A4	1339	Conga Hi Open 2
A#4	1400	Cabasa1
B4	1399	Cabasa1-2
C5	1336	Conga Hi Heel
C#5	1335	Conga Hi Tip
D5	1354	Quinto1 Slap
D#5	1406	Shaker 1
E5	1355	Quinto2 Open
F5	1402	Caxixi1-2
F#5	1421	Tambourine1 Shake
G5	1420	Tambourine1 Hit
G#5	1419	Tambourine1 Sw
A5	1420	Tambourine1 Hit
A#5	1467	Sleigh Bell
B5	1452	Whistle
C6	1452	Whistle

PRE 48 Latin Percussion Kit

Note	Wave Number	Wave Name
C0	1554	Bd L Son St
C#0	2018	Sd Rock Stick2 St
D0	1785	Sd Funk St1/3
D#0	2461	Crash2 St
E0	2517	Splash St
F0	2359	Tom Low St
F#0	2174	HH Closed 1-4St
G0	2359	Tom Low St
G#0	2197	HH Pedal 3 St
A0	2355	Tom Mid St
A#0	2212	HH Open 2St
B0	2351	Tom Hi St
C1	1335	Conga Hi Tip
C#1	1336	Conga Hi Heel
D1	1358	Tumba Slap
D#1	1449	Clave
E1	1357	Tumba Open
F1	1335	Conga Hi Tip
F#1	1336	Conga Hi Heel
G1	1341	Conga Hi Slp Open
G#1	1459	Handbell L
A1	1339	Conga Hi Open 2
A#1	1460	Handbell H
B1	1463	Mambo Bl1
C2	1335	Conga Hi Tip
C#2	1336	Conga Hi Heel
D2	1354	Quinto1 Slap
D#2	1466	ChaCha
E2	1353	Quinto1 Open
F2	1376	Bongo Lo 3Finger 1-2
F#2	1363	Bongo Hi 1Finger 1-2
G2	1366	Bongo Hi 3Finger 1-2
G#2	1386	Timbale Lo1
A2	1390	Timbale Paila L
A#2	1382	Timbale Hi1
B2	1389	Timbale Paila H
C3	1450	Wood Block
C#3	1450	Wood Block
D3	1413	Shekere Down
D#3	1414	Shekere Up
E3	1415	Shekere Slur
F3	1397	Maracas Sap
F#3	1398	Maracas Staccato
G3	1432	Guiro Long
G#3	1434	Guiro Swp
A3	1433	Guiro Short
A#3	1440	Surdo Mute
B3	1439	Surdo Open
C4	1424	Pandeiro Tip
C#4	1425	Pandeiro Heel
D4	1423	Pandeiro Thump
D#4	1422	Pandeiro Open
E4	1427	Tmbourim Finger
F4	1426	Tmbourim Open
F#4	1428	Tmbourim Mute
G4	1431	Agogo Lo Tap
G#4	1430	Agogo Lo
A4	1429	Agogo Hi
A#4	1454	Triangle Open
B4	1455	Triangle Mute
C5	1407	Shaker 2
C#5	1406	Shaker 1
D5	1408	Shaker 3
D#5	1400	Cabasa1
E5	1401	Cabasa2
F5	1403	Caxixi1
F#5	1404	Caxixi2
G5	1361	Cuica Lo
G#5	1362	Cuica Hi
A5	1452	Whistle
A#5	1452	Whistle
B5	1451	Vibraslap
C6	1468	Wind Chime

PRE 49 Guitar/Bass FX Kit

Note	Wave Number	Wave Name
C0	2644	Acoustic Bass FX06
C#0	2644	Acoustic Bass FX06
D0	335	Play FX Mix
D#0	334	Power Chord Mono
E0	334	Power Chord Mono
F0	2639	Acoustic Bass FX01
F#0	2529	AcousticGtr FX02 St
G0	2652	Electric Bass FX 05
G#0	2663	Electric Bass FX 16
A0	2648	Electric Bass FX 01
A#0	2621	ElectricGtr FX06
B0	2664	Electric Bass FX 17
C1	2651	Electric Bass FX 04
C#1	2657	Electric Bass FX 10
D1	335	Play FX Mix
D#1	2658	Electric Bass FX 11
E1	335	Play FX Mix
F1	2665	Electric Bass FX 18
F#1	2663	Electric Bass FX 16
G1	2665	Electric Bass FX 18
G#1	2664	Electric Bass FX 17
A1	2665	Electric Bass FX 18
A#1	2628	ElectricGtr FX13
B1	2665	Electric Bass FX 18
C2	2665	Electric Bass FX 18
C#2	2610	AcousticGtr FX29 St
D2	2665	Electric Bass FX 18
D#2	2658	Electric Bass FX 11
E2	2610	AcousticGtr FX29 St
F2	2658	Electric Bass FX 11
F#2	2657	Electric Bass FX 10
G2	2610	AcousticGtr FX29 St
G#2	335	Play FX Mix
A2	2610	AcousticGtr FX29 St
A#2	2660	Electric Bass FX 13
B2	2658	Electric Bass FX 11
C3	2657	Electric Bass FX 10
C#3	2657	Electric Bass FX 10
D3	2649	Electric Bass FX 02
D#3	2655	Electric Bass FX 08
E3	2665	Electric Bass FX 18
F3	2647	Acoustic Bass FX09
F#3	2647	Acoustic Bass FX09
G3	2645	Acoustic Bass FX07
G#3	2645	Acoustic Bass FX07
A3	2644	Acoustic Bass FX06
A#3	2647	Acoustic Bass FX09
B3	335	Play FX Mix
C4	335	Play FX Mix
C#4	2669	Electric Bass FX 22
D4	2541	AcousticGtr FX06 St
D#4	2663	Electric Bass FX 16
E4	2663	Electric Bass FX 16
F4	2650	Electric Bass FX 03
F#4	335	Play FX Mix
G4	335	Play FX Mix
G#4	2658	Electric Bass FX 11
A4	2664	Electric Bass FX 17
A#4	2529	AcousticGtr FX02 St
B4	2661	Electric Bass FX 14
C5	2636	ElectricGtr FX21
C#5	2635	ElectricGtr FX20
D5	2634	ElectricGtr FX19
D#5	335	Play FX Mix
E5	335	Play FX Mix
F5	335	Play FX Mix
F#5	335	Play FX Mix
G5	385	Electric Bass FX
G#5	2669	Electric Bass FX 22
A5	2652	Electric Bass FX 05
A#5	2662	Electric Bass FX 15
B5	385	Electric Bass FX
C6	2666	Electric Bass FX 19

PRE 50 Wacko Kit

Note	Wave Number	Wave Name
C0	2648	Electric Bass FX 01
C#0	1275	Zap2
D0	2336	HH Pedal D&B
D#0	1457	HandClap L
E0	1323	Scratch Vo F
F0	1272	IndusTom
F#0	2155	Sd Wood
G0	1272	IndusTom
G#0	2145	Sd ClapAna
A0	1272	IndusTom
A#0	2151	Sd FM Rim
B0	1611	Bd FX Gate
C1	1648	Bd FxHammer
C#1	1341	Conga Hi Slp Open
D1	2150	Sd FM
D#1	1457	HandClap L
E1	2154	Sd Timbr
F1	2453	Tom Syn2
F#1	2346	HH Closed Syn
G1	2453	Tom Syn2
G#1	2347	HH Open Syn
A1	2453	Tom Syn2
A#1	2347	HH Open Syn
B1	2453	Tom Syn2
C2	2453	Tom Syn2
C#2	2271	HH Open Mono
D2	1169	Sonar1
D#2	2327	HH Open T8-1
E2	2271	HH Open Mono
F2	2506	Ride Cup2 L
F#2	1467	Sleigh Bell
G2	2329	HH Open T8-2
G#2	1164	Resonance X-Fade
A2	2462	Crash2 L
A#2	1311	RainLoop
B2	2507	Ride Cup2 R
C3	1151	AirHose L
C#3	1151	AirHose L
D3	886	Udo High
D#3	991	Mg Bass2
E3	993	Mg Bass3
F3	2644	Acoustic Bass FX06
F#3	2644	Acoustic Bass FX06
G3	1430	Agogo Lo
G#3	1430	Agogo Lo
A3	2350	HH Open Human
A#3	1293	Vox Hit Rev
B3	1291	Hi Q1
C4	1291	Hi Q1
C#4	1166	LFO Seq
D4	1166	LFO Seq
D#4	1137	BellAir
E4	1143	HH Hit
F4	1143	HH Hit
F#4	1158	Ooh Feedback
G4	1158	Ooh Feedback
G#4	1161	Mind Bell
A4	1269	Glass
A#4	1154	Swarm
B4	1297	FxGun2
C5	1155	Lektronica
C#5	335	Play FX Mix
D5	1309	Gunshot
D#5	1300	Police
E5	1268	Ripper
F5	335	Play FX Mix
F#5	1295	Tape Rewind
G5	1296	FxGun1
G#5	1294	Bomb
A5	1275	Zap2
A#5	1273	Noise Burst
B5	1174	Stab Giant
C6	1173	Stab Orchestra

PRE 51 Wood Bits Kit

Note	Wave Number	Wave Name
C0	1485	Clave T8
C#0	2027	Sd Hip Stick6 L
D0	1432	Guiro Long
D#0	2028	Sd Hip Stick6 R
E0	1432	Guiro Long
F0	2562	AcousticGtr FX13 St
F#0	1448	Castanet
G0	2658	Electric Bass FX 11
G#0	1446	Stick1
A0	2655	Electric Bass FX 08
A#0	2654	Electric Bass FX 07
B0	2449	Tom T9 Hi
C1	2664	Electric Bass FX 17
C#1	2035	Sd Closed Rim3
D1	1447	Stick2
D#1	1432	Guiro Long
E1	1447	Stick2
F1	1439	Surdo Open
F#1	2111	Sd AnSm Rim
G1	1439	Surdo Open
G#1	1470	Clap AnSm
A1	1439	Surdo Open
A#1	1451	Vibraslap
B1	1439	Surdo Open
C2	1439	Surdo Open
C#2	1304	Seashore
D2	1439	Surdo Open
D#2	2018	Sd Rock Stick2 St
E2	1310	Applause
F2	2016	Sd Rock Stick1 L
F#2	1421	Tambourine1 Shake
G2	1304	Seashore
G#2	1450	Wood Block
A2	1310	Applause
A#2	1303	Helicopter
B2	2020	Sd Rock Stick2 R
C3	1341	Conga Hi Slp Open
C#3	1341	Conga Hi Slp Open
D3	1448	Castanet
D#3	1448	Castanet
E3	1450	Wood Block
F3	1390	Timbale Paila L
F#3	1390	Timbale Paila L
G3	1446	Stick1
G#3	1447	Stick2
A3	1402	Caxixi1-2
A#3	1404	Caxixi2
B3	1301	Door Squeak
C4	1301	Door Squeak
C#4	1433	Guiro Short
D4	1432	Guiro Long
D#4	1449	Clave
E4	1450	Wood Block
F4	1450	Wood Block
F#4	1301	Door Squeak
G4	1301	Door Squeak
G#4	1450	Wood Block
A4	1449	Clave
A#4	1301	Door Squeak
B4	1457	HandClap L
C5	1466	ChaCha
C#5	1903	Sd Rock Open2 St
D5	1630	Bd Jungle3
D#5	1354	Quinto1 Slap
E5	1572	Bd Room2
F5	1551	Bd H Son St
F#5	2013	Sd Heavy
G5	1439	Surdo Open
G#5	2015	Sd Rock Stick1 St
A5	1658	Bd Slimy
A#5	2008	Sd Gate1
B5	1557	Bd Funk Son St
C6	1610	Bd Gate

PRE 52 Metal Bits Kit

Note	Wave Number	Wave Name
C0	1474	Cowbell T8
C#0	2188	HH Closed 4R
D0	2507	Ride Cup2 R
D#0	2347	HH Open Syn
E0	2506	Ride Cup2 L
F0	2493	Ride Cup1 St
F#0	1026	FM Metal2
G0	2485	Ride1 St
G#0	1282	Electric Perc7
A0	1462	Cowbell2
A#0	2175	HH Closed 1St
B0	1466	ChaCha
C1	1462	Cowbell2
C#1	2346	HH Closed Syn
D1	2340	HH Open Tek
D#1	2328	HH Closed T8-2
E1	2330	HH Closed RX5
F1	1462	Cowbell2
F#1	2327	HH Open T8-1
G1	1462	Cowbell2
G#1	2346	HH Closed Syn
A1	1462	Cowbell2
A#1	2347	HH Open Syn
B1	1462	Cowbell2
C2	1462	Cowbell2
C#2	2349	HH Open FX
D2	1462	Cowbell2
D#2	2493	Ride Cup1 St
E2	2332	HH Open AnCR
F2	2493	Ride Cup1 St
F#2	1419	Tambourine1 Sw
G2	2349	HH Open FX
G#2	1464	Mambo B12
A2	2349	HH Open FX
A#2	1467	Sleigh Bell
B2	2509	Ride Mono
C3	44	Brite Piano
C#3	44	Brite Piano
D3	124	Tubular Bell
D#3	125	Bell
E3	128	Brass Bell
F3	1389	Timbale Paila H
F#3	1390	Timbale Paila L
G3	125	Bell
G#3	125	Bell
A3	2175	HH Closed 1St
A#3	2332	HH Open AnCR
B3	1137	BellAir
C4	1136	FX Chime
C#4	2265	HH Open Rock L
D4	1155	Lektronica
D#4	1430	Agogo Lo
E4	1461	Cowbell1
F4	1462	Cowbell2
F#4	1149	Hi-Lo
G4	1149	Hi-Lo
G#4	1455	Triangle Mute
A4	1454	Triangle Open
A#4	1136	FX Chime
B4	1467	Sleigh Bell
C5	1468	Wind Chime
C#5	129	Small Bell
D5	129	Small Bell
D#5	128	Brass Bell
E5	132	Hibashi
F5	44	Brite Piano
F#5	2010	Sd LdwHmono
G5	44	Brite Piano
G#5	2011	Sd BreakRim
A5	857	Gamelan2
A#5	885	Udo Finger
B5	130	Finger Cymbal
C6	125	Bell

PRE 53 Hands Kit

Note	Wave Number	Wave Name
C0	868	Tabla Mute
C#0	2046	Sd Brush Soft St
D0	2058	Sd Brush Swir St
D#0	2049	Sd Brush Med St
E0	2061	Sd Brush SwirAtt St
F0	2610	AcousticGtr FX29 St
F#0	1447	Stick2
G0	1423	Pandeiro Thump
G#0	868	Tabla Mute
A0	2663	Electric Bass FX 16
A#0	2574	AcousticGtr FX17 St
B0	869	Tabla Combi
C1	861	Wataiko
C#1	1354	Quinto1 Slap
D1	2049	Sd Brush Med St
D#1	1456	HandClap St
E1	1797	Sd Funk Ay St
F1	887	Udo Low
F#1	868	Tabla Mute
G1	887	Udo Low
G#1	866	Tabla Bya
A1	886	Udo High
A#1	867	Tabla Nah
B1	886	Udo High
C2	885	Udo Finger
C#2	2491	Ride2 R
D2	885	Udo Finger
D#2	2493	Ride Cup1 St
E2	2511	Ride Cup Mono2
F2	2493	Ride Cup1 St
F#2	1420	Tambourine1 Hit
G2	2493	Ride Cup1 St
G#2	1461	Cowbell1
A2	2509	Ride Mono
A#2	1451	Vibraslap
B2	2490	Ride2 L
C3	1363	Bongo Hi 1Finger 1-2
C#3	1376	Bongo Lo 3Finger 1-2
D3	1335	Conga Hi Tip
D#3	1341	Conga Hi Slip Open
E3	1339	Conga Hi Open 2
F3	1381	Timbale Hi1-3
F#3	1385	Timbale Lo1-2
G3	1429	Agogo Hi
G#3	1430	Agogo Lo
A3	1427	Tmbourim Finger
A#3	1427	Tmbourim Finger
B3	1457	HandClap L
C4	1457	HandClap L
C#4	1432	Guiro Long
D4	1432	Guiro Long
D#4	885	Udo Finger
E4	866	Tabla Bya
F4	1335	Conga Hi Tip
F#4	886	Udo High
G4	886	Udo High
G#4	885	Udo Finger
A4	130	Finger Cymbal
A#4	868	Tabla Mute
B4	1467	Sleigh Bell
C5	1468	Wind Chime
C#5	1341	Conga Hi Slip Open
D5	1359	Tumba Tip
D#5	1359	Tumba Tip
E5	2655	Electric Bass FX 08
F5	1359	Tumba Tip
F#5	2648	Electric Bass FX 01
G5	1357	Tumba Open
G#5	2653	Electric Bass FX 06
A5	2535	AcousticGtr FX04 St
A#5	887	Udo Low
B5	865	Djembe Combi
C6	1358	Tumba Slap

PRE 54 Scratches

Note	Wave Number	Wave Name
C0	1312	Scratch H
C#0	1313	Scratch L
D0	1314	Scratch Down
D#0	1315	Scratch Hi F
E0	1316	Scratch Hi R
F0	1317	Scratch Lo F
F#0	1318	Scratch Lo R
G0	1319	Scratch Bd F
G#0	1320	Scratch Bd R
A0	1321	Scratch Sd F
A#0	1322	Scratch Sd R
B0	1323	Scratch Vo F
C1	1312	Scratch H
C#1	1313	Scratch L
D1	1314	Scratch Down
D#1	1315	Scratch Hi F
E1	1316	Scratch Hi R
F1	1317	Scratch Lo F
F#1	1318	Scratch Lo R
G1	1319	Scratch Bd F
G#1	1320	Scratch Bd R
A1	1321	Scratch Sd F
A#1	1322	Scratch Sd R
B1	1323	Scratch Vo F
C2	1324	Scratch Vo R
C#2	1325	Scratch Stop
D2	1326	Scratch Spin
D#2	1327	Scratch Hip
E2	1328	Scratch Hip2
F2	1331	Scratch Combi
F#2	1332	Scratch Combi2
G2	1333	Scratch Combi3
G#2	1334	Scratch Combi4
A2	1312	Scratch H
A#2	1313	Scratch L
B2	1314	Scratch Down
C3	1315	Scratch Hi F
C#3	1316	Scratch Hi R
D3	1317	Scratch Lo F
D#3	1318	Scratch Lo R
E3	1319	Scratch Bd F
F3	1320	Scratch Bd R
F#3	1321	Scratch Sd F
G3	1322	Scratch Sd R
G#3	1323	Scratch Vo F
A3	1324	Scratch Vo R
A#3	1325	Scratch Stop
B3	1326	Scratch Spin
C4	1327	Scratch Hip
C#4	1328	Scratch Hip2
D4	1331	Scratch Combi
D#4	1332	Scratch Combi2
E4	1333	Scratch Combi3
F4	1334	Scratch Combi4
F#4	1312	Scratch H
G4	1313	Scratch L
G#4	1314	Scratch Down
A4	1315	Scratch Hi F
A#4	1316	Scratch Hi R
B4	1317	Scratch Lo F
C5	1318	Scratch Lo R
C#5	1319	Scratch Bd F
D5	1320	Scratch Bd R
D#5	1321	Scratch Sd F
E5	1322	Scratch Sd R
F5	1323	Scratch Vo F
F#5	1324	Scratch Vo R
G5	1325	Scratch Stop
G#5	1326	Scratch Spin
A5	1327	Scratch Hip
A#5	1328	Scratch Hip2
B5	1331	Scratch Combi
C6	1332	Scratch Combi2

PRE 55 Acoustic Snares

Note	Wave Number	Wave Name
C0	1768	Sd Normal 1St
C#0	1769	Sd Normal 2St
D0	1770	Sd Normal 3St
D#0	1771	Sd Normal 4St
E0	1786	Sd Funk 1St
F0	1787	Sd Funk 2St
F#0	1788	Sd Funk 3St
G0	1797	Sd Funk Ay St
G#0	1804	Sd Basic 1St
A0	1805	Sd Basic 2St
A#0	1806	Sd Basic 3St
B0	1821	Sd SonA 1St
C1	1822	Sd SonA 2St
C#1	1823	Sd SonA 3St
D1	1824	Sd SonA 4St
D#1	1839	Sd Blues 1St
E1	1840	Sd Blues 2St
F1	1841	Sd Blues 3St
F#1	1854	Sd BluesHeart 1St
G1	1855	Sd BluesHeart 2St
G#1	1856	Sd BluesHeart 3St
A1	1871	Sd Tight 1St
A#1	1872	Sd Tight 2St
B1	1873	Sd Tight 3St
C2	1874	Sd Tight 4St
C#2	1886	Sd Hip 1St
D2	1887	Sd Hip 2St
D#2	1894	Sd Rock Open1 St
E2	1897	Sd Rock Mute1 St
F2	1900	Sd Rock Rim1 St
F#2	1903	Sd Rock Open2 St
G2	1906	Sd Rock Mute2 St
G#2	1909	Sd Rock Rim2 St
A2	1912	Sd Rock Flam St
A#2	1894	Sd Rock Open1 St
B2	1897	Sd Rock Mute1 St
C3	1900	Sd Rock Rim1 St
C#3	1903	Sd Rock Open2 St
D3	1906	Sd Rock Mute2 St
D#3	1909	Sd Rock Rim2 St
E3	1912	Sd Rock Flam St
F3	1770	Sd Normal 3St
F#3	1797	Sd Funk Ay St
G3	1806	Sd Basic 3St
G#3	1823	Sd SonA 3St
A3	1856	Sd BluesHeart 3St
A#3	1873	Sd Tight 3St
B3	1882	Sd Tight 3R
C4	1682	Sd Bld St1-4
C#4	1702	Sd Soul St1-4
D4	1722	Sd Strong St1-4
D#4	1742	Sd Rng St1-4
E4	1919	Sd Mid Rim
F4	1920	Sd Ambience
F#4	2008	Sd Gate1
G4	2010	Sd LdwHMono
G#4	2011	Sd BreakRim
A4	2012	Sd Dry
A#4	2013	Sd Heavy
B4	2014	Sd GM
C5	1942	Sd PowerB 1-5St
C#5	1966	Sd PowerC 1-5St
D5	1990	Sd PowerD 1-4St
D#5	2014	Sd GM
E5	2046	Sd Brush Soft St
F5	2049	Sd Brush Med St
F#5	2052	Sd Brush vari St
G5	2061	Sd Brush SwirAtt St
G#5	2065	Sd Orch1 S St
A5	2073	Sd Orch2 SwSt
A#5	2082	Sd Orch Roll St
B5	2066	Sd Orch1 H St
C6	2049	Sd Brush Med St

PRE 56 GroupedStereo Snares

Note	Wave Number	Wave Name
C0	1762	Sd Normal St1-4
C#0	1763	Sd Normal St1-3
D0	1764	Sd Normal St2-4
D#0	1765	Sd Normal St1-2
E0	1766	Sd Normal St2-3
F0	1767	Sd Normal St3-4
F#0	1768	Sd Normal 1St
G0	1769	Sd Normal 2St
G#0	1770	Sd Normal 3St
A0	1771	Sd Normal 4St
A#0	1782	Sd Funk St1-3
B0	1783	Sd Funk St1-2
C1	1784	Sd Funk St2-3
C#1	1785	Sd Funk St1/3
D1	1786	Sd Funk 1St
D#1	1787	Sd Funk 2St
E1	1788	Sd Funk 3St
F1	1797	Sd Funk Ay St
F#1	1800	Sd Basic St1-3
G1	1801	Sd Basic St1-2
G#1	1802	Sd Basic St2-3
A1	1803	Sd Basic St1/3
A#1	1804	Sd Basic 1St
B1	1805	Sd Basic 2St
C2	1806	Sd Basic 3St
C#2	1815	Sd SonA St1-4
D2	1816	Sd SonA St1-3
D#2	1817	Sd SonA St2-4
E2	1818	Sd SonA St1-2
F2	1819	Sd SonA St2-3
F#2	1820	Sd SonA St3-4
G2	1821	Sd SonA 1St
G#2	1822	Sd SonA 2St
A2	1823	Sd SonA 3St
A#2	1824	Sd SonA 4St
B2	1835	Sd Blues St1-3
C3	1836	Sd Blues St1-2
C#3	1837	Sd Blues St2-3
D3	1838	Sd Blues St1/3
D#3	1839	Sd Blues 1St
E3	1840	Sd Blues 2St
F3	1841	Sd Blues 3St
F#3	1850	Sd BluesHeart St1-3
G3	1851	Sd BluesHeart St1-2
G#3	1852	Sd BluesHeart St2-3
A3	1853	Sd BluesHeart St1/3
A#3	1854	Sd BluesHeart 1St
B3	1855	Sd BluesHeart 2St
C4	1856	Sd BluesHeart 3St
C#4	1865	Sd Tight St1-4
D4	1866	Sd Tight St1-3
D#4	1867	Sd Tight St2-4
E4	1868	Sd Tight St1-2
F4	1869	Sd Tight St2-3
F#4	1870	Sd Tight St3-4
G4	1871	Sd Tight 1St
G#4	1872	Sd Tight 2St
A4	1873	Sd Tight 3St
A#4	1874	Sd Tight 4St
B4	1927	Sd PowerA 1St
C5	1930	Sd PowerA 2St
C#5	1933	Sd PowerA 3St
D5	1936	Sd PowerA 4St
D#5	1939	Sd PowerA 5St
E5	1948	Sd PowerB 1St
F5	1951	Sd PowerB 2St
F#5	1954	Sd PowerB 3St
G5	1957	Sd PowerB 4St
G#5	1960	Sd PowerB 5St
A5	1966	Sd PowerC 1-5St
A#5	1990	Sd PowerD 1-4St
B5	1835	Sd Blues St1-3
C6	1850	Sd BluesHeart St1-3

PRE 57 All Kicks

Note	Wave Number	Wave Name
C0	1527	Bd Normal St1-2
C#0	1500	Bd Snap 1-2
D0	1510	Bd Tight 1
D#0	1530	Bd Normal L1-2
E0	1536	Bd Funk St1-2
F0	1518	Bd Ambience 1-2
F#0	1538	Bd Funk 2St
G0	1545	Bd High St
G#0	1548	Bd Low St
A0	1551	Bd H Son St
A#0	1554	Bd L Son St
B0	1557	Bd Funk Son St
C1	1560	Bd Rock1 St
C#1	1563	Bd Rock2 St
D1	1566	Bd Dry1
D#1	1567	Bd Dry2
E1	1568	Bd Pop
F1	1569	Bd Var1
F#1	1570	Bd Var2
G1	1571	Bd Room1
G#1	1572	Bd Room2
A1	1573	Bd Room3
A#1	1610	Bd Gate
B1	1611	Bd FX Gate
C2	1586	Bd PowerA 1-2St
C#2	1595	Bd PowerB 1-2St
D2	1583	Bd FK Jazz St
D#2	1615	Bd T9-4
E2	1616	Bd T9 Hd1
F2	1617	Bd T9 Hd2
F#2	1618	Bd T9 Hd3
G2	1619	Bd T8-1
G#2	1620	Bd T8-2
A2	1621	Bd T8-3
A#2	1622	Bd AnSm
B2	1623	Bd AnCR
C3	1624	Bd Human1
C#3	1625	Bd Human2
D3	1626	Bd Blip
D#3	1627	Bd BlpHd
E3	1628	Bd Jungle1
F3	1629	Bd Jungle2
F#3	1630	Bd Jungle3
G3	1631	Bd D&B1
G#3	1632	Bd D&B2
A3	1633	Bd R&B1
A#3	1634	Bd R&B2
B3	1635	Bd Hip Deep
C4	1636	Bd Break Deep
C#4	1637	Bd Break1
D4	1638	Bd Break2
D#4	1639	Bd Break Heavy
E4	1640	Bd Break Hard
F4	1641	Bd Distortion1
F#4	1642	Bd Distortion2
G4	1643	Bd Distortion3
G#4	1644	Bd Distortion4
A4	1645	Bd Distortion5
A#4	1646	Bd Distortion RM
B4	1647	Bd +HH
C5	1648	Bd FxHammer
C#5	1649	Bd ZapHard
D5	1650	Bd ZapMid
D#5	1651	Bd Sustain
E5	1652	Bd TekPower
F5	1653	Bd Hard Long
F#5	1654	Bd Analog Tight
G5	1655	Bd AnaHard
G#5	1656	Bd Lo-Fi
A5	1657	Bd ThickSkin
A#5	1658	Bd Slimy
B5	1679	Bd HipHop8
C6	1681	Bd HipHop10

PRE 58 Dance Kicks

Note	Wave Number	Wave Name
C0	1612	Bd T9-1
C#0	1612	Bd T9-1
D0	1613	Bd T9-2
D#0	1614	Bd T9-3
E0	1614	Bd T9-3
F0	1615	Bd T9-4
F#0	1616	Bd T9 Hd1
G0	1617	Bd T9 Hd2
G#0	1618	Bd T9 Hd3
A0	1618	Bd T9 Hd3
A#0	1653	Bd Hard Long
B0	1623	Bd AnCR
C1	1612	Bd T9-1
C#1	1613	Bd T9-2
D1	1614	Bd T9-3
D#1	1615	Bd T9-4
E1	1616	Bd T9 Hd1
F1	1617	Bd T9 Hd2
F#1	1618	Bd T9 Hd3
G1	1619	Bd T8-1
G#1	1620	Bd T8-2
A1	1621	Bd T8-3
A#1	1659	Bd Elec1
B1	1623	Bd AnCR
C2	1624	Bd Human1
C#2	1659	Bd Elec1
D2	1626	Bd Blip
D#2	1627	Bd BlpHd
E2	1661	Bd Elec3
F2	1666	Bd ElecFX1
F#2	1667	Bd ElecFX2
G2	1668	Bd ElecGate
G#2	1669	Bd ElecClick
A2	1670	Bd ElecPower1
A#2	1634	Bd R&B2
B2	1635	Bd Hip Deep
C3	1636	Bd Break Deep
C#3	1637	Bd Break1
D3	1671	Bd ElecPower2
D#3	1639	Bd Break Heavy
E3	1640	Bd Break Hard
F3	1641	Bd Distortion1
F#3	1642	Bd Distortion2
G3	1643	Bd Distortion3
G#3	1644	Bd Distortion4
A3	1645	Bd Distortion5
A#3	1660	Bd Elec2
B3	1663	Bd ElecComp1
C4	1648	Bd FxHammer
C#4	1649	Bd ZapHard
D4	1650	Bd ZapMid
D#4	1651	Bd Sustain
E4	1652	Bd TekPower
F4	1653	Bd Hard Long
F#4	1654	Bd Analog Tight
G4	1655	Bd AnaHard
G#4	1664	Bd ElecComp2
A4	1665	Bd ElecComp3
A#4	1658	Bd Slimy
B4	1610	Bd Gate
C5	1611	Bd FX Gate
C#5	1672	Bd HipHop1
D5	1673	Bd HipHop2
D#5	1674	Bd HipHop3
E5	1675	Bd HipHop4
F5	1676	Bd HipHop5
F#5	1677	Bd HipHop6
G5	1678	Bd HipHop7
G#5	1679	Bd HipHop8
A5	1680	Bd HipHop9
A#5	1681	Bd HipHop10
B5	1653	Bd Hard Long
C6	1654	Bd Analog Tight

PRE 59 Arabic Mixed Kit

Note	Wave Number	Wave Name
C0	1468	Wind Chime
C#0	2046	Sd Brush Soft St
D0	2058	Sd Brush Swir St
D#0	2049	Sd Brush Med St
E0	2061	Sd Brush SwirAtt St
F0	2042	Sd LiveRoll St
F#0	1448	Castanet
G0	1768	Sd Normal 1St
G#0	1446	Stick1
A0	1613	Bd T9-2
A#0	1800	Sd Basic St1-3
B0	1545	Bd High St
C1	1527	Bd Normal St1-2
C#1	1782	Sd Funk St1-3
D1	1682	Sd Bld St1-4
D#1	1456	HandClap St
E1	1702	Sd Soul St1-4
F1	2375	Tom Rock Low St
F#1	2174	HH Closed 1-4St
G1	2371	Tom Rock Mid St
G#1	2194	HH Pedal 1-3St
A1	2363	Tom Floor St
A#1	2210	HH Open 1-2St
B1	2359	Tom Low St
C2	2355	Tom Mid St
C#2	2461	Crash2 St
D2	2351	Tom Hi St
D#2	2210	HH Open 1-2St
E2	2525	Reverse Cymbal
F2	1385	Timbale Lo1-2
F#2	1339	Conga Hi Open 2
G2	1381	Timbale Hi1-3
G#2	1341	Conga Hi Slp Open
A2	1419	Tambourine1 Sw
A#2	1357	Tumba Open
B2	1461	Cowbell1
C3	1449	Clave
C#3	1363	Bongo Hi 1Finger 1-2
D3	1450	Wood Block
D#3	1376	Bongo Lo 3Finger 1-2
E3	1450	Wood Block
F3	889	Dohol Low
F#3	1399	Cabasa1-2
G3	890	Dohol High
G#3	1406	Shaker 1
A3	1448	Castanet
A#3	1396	Maracas Sw
B3	1448	Castanet
C4	898	Twaisat3
C#4	896	Twaisat
D4	897	Twaisat2
D#4	899	Twaisat4
E4	899	Twaisat4
F4	870	Small Tabla Dom
F#4	891	Barasim Dom
G4	871	Small Tabla Snap
G#4	892	Barasim Sak
A4	872	Small Tabla Sak
A#4	893	Barasim Tak
B4	873	Small Tabla Tak
C5	874	Big Tabla Dom
C#5	894	Segal Dom
D5	875	Big Tabla Tak
D#5	895	Segal Tak
E5	876	Big Tabla Sak
F5	877	Tabla Dom
F#5	878	Tabla Tak1
G5	884	Tabla Tremoro
G#5	879	Tabla Tak2
A5	880	Tabla Tik1
A#5	883	Tabla Sak1
B5	882	Tabla Tik3
C6	881	Tabla Tik2

PRE 60 Belly Dance Kit

Note	Wave Number	Wave Name
C0	881	Tabla Tik2
C#0	861	Wataiko
D0	862	Djembe Edge
D#0	863	Djembe Mute
E0	864	Djembe Open
F0	865	Djembe Combi
F#0	866	Tabla Bya
G0	867	Tabla Nah
G#0	868	Tabla Mute
A0	869	Tabla Combi
A#0	870	Small Tabla Dom
B0	870	Small Tabla Dom
C1	1653	Bd Hard Long
C#1	1612	Bd T9-1
D1	2098	Sd T9-2
D#1	1471	Electric Clap1
E1	1732	Sd Strong L1-4
F1	2456	Tom Dist Lo
F#1	2324	HH Closed T9
G1	2455	Tom Dist Hi
G#1	2326	HH Closed T8-1
A1	2452	Tom Syn1
A#1	2325	HH Open T9
B1	2453	Tom Syn2
C2	2127	Sd Hip1
C#2	2466	Crash4
D2	2123	Sd D&B4
D#2	2333	HH Closed Break
E2	2525	Reverse Cymbal
F2	1385	Timbale Lo1-2
F#2	1339	Conga Hi Open 2
G2	1381	Timbale Hi1-3
G#2	1341	Conga Hi Slp Open
A2	1419	Tambourine1 Sw
A#2	1357	Tumba Open
B2	1461	Cowbell1
C3	1449	Clave
C#3	1363	Bongo Hi 1Finger 1-2
D3	1450	Wood Block
D#3	1376	Bongo Lo 3Finger 1-2
E3	1450	Wood Block
F3	889	Dohol Low
F#3	1399	Cabasa1-2
G3	890	Dohol High
G#3	1406	Shaker 1
A3	1448	Castanet
A#3	1396	Maracas Sw
B3	1448	Castanet
C4	898	Twaisat3
C#4	896	Twaisat
D4	897	Twaisat2
D#4	899	Twaisat4
E4	899	Twaisat4
F4	870	Small Tabla Dom
F#4	891	Barasim Dom
G4	871	Small Tabla Snap
G#4	892	Barasim Sak
A4	872	Small Tabla Sak
A#4	893	Barasim Tak
B4	873	Small Tabla Tak
C5	874	Big Tabla Dom
C#5	894	Segal Dom
D5	875	Big Tabla Tak
D#5	895	Segal Tak
E5	876	Big Tabla Sak
F5	877	Tabla Dom
F#5	878	Tabla Tak1
G5	884	Tabla Tremoro
G#5	879	Tabla Tak2
A5	880	Tabla Tik1
A#5	883	Tabla Sak1
B5	882	Tabla Tik3
C6	881	Tabla Tik2

PRE 61 Dance Snares

Note	Wave Number	Wave Name
C0	2141	Sd FX1
C#0	2142	Sd FX2
D0	2143	Sd FX3
D#0	2144	Sd FX4
E0	2146	Sd Dist
F0	2147	Sd Cut
F#0	2148	Sd Garg H
G0	2149	Sd Garg L
G#0	2150	Sd FM
A0	2152	Sd Syn
A#0	2156	Sd Hammer
B0	2157	Sd Lo-Fi
C1	2097	Sd T9-1
C#1	2098	Sd T9-2
D1	2099	Sd T9-3
D#1	2100	Sd T9-4
E1	2101	Sd T9-5
F1	2102	Sd T9Gate
F#1	2104	Sd T8-1
G1	2105	Sd T8-2
G#1	2106	Sd T8-3
A1	2107	Sd T8-4
A#1	2108	Sd T8-5
B1	2110	Sd AnSm
C2	2112	Sd AnCR
C#2	2114	Sd Human1
D2	2116	Sd Jungle1
D#2	2117	Sd Jungle2
E2	2118	Sd Jungle3
F2	2119	Sd JungleFX
F#2	2120	Sd D&B1
G2	2121	Sd D&B2
G#2	2122	Sd D&B3
A2	2123	Sd D&B4
A#2	2124	Sd R&B1
B2	2125	Sd R&B1 Rim
C3	2126	Sd R&B2
C#3	2127	Sd Hip1
D3	2128	Sd Hip2
D#3	2129	Sd Hip3
E3	2130	Sd Hip Gate
F3	2131	Sd Hip Rim1
F#3	2132	Sd Hip Rim2
G3	2133	Sd Hip Rim3
G#3	2134	Sd Hip Rim4
A3	2135	Sd Hip Rim5
A#3	2137	Sd Break2
B3	2139	Sd Break Heavy
C4	2085	Sd Elec1
C#4	2086	Sd Elec2
D4	2087	Sd Elec3
D#4	2088	Sd Elec4
E4	2089	Sd Elec5
F4	2090	Sd Elec6
F#4	2091	Sd Elec7
G4	2092	Sd Elec8
G#4	2093	Sd Elec9
A4	2094	Sd Elec10
A#4	2095	Sd Elec11
B4	2096	Sd Elec12
C5	2085	Sd Elec1
C#5	2105	Sd T8-2
D5	2087	Sd Elec3
D#5	2088	Sd Elec4
E5	2089	Sd Elec5
F5	2090	Sd Elec6
F#5	2091	Sd Elec7
G5	2085	Sd Elec1
G#5	2092	Sd Elec8
A5	2094	Sd Elec10
A#5	2095	Sd Elec11
B5	2096	Sd Elec12
C6	2099	Sd T9-3

PRE 62 Special SFXs

Note	Wave Number	Wave Name
C0	1018	Mini Blip2
C#0	1017	Mini Blip1
D0	1019	Mini Blip3
D#0	1020	Mini Blip4
E0	1021	Mini Blip5
F0	1022	Mini Blip6
F#0	1270	Bell FX1
G0	1271	Bell FX2
G#0	1279	Electric Perc4
A0	1281	Electric Perc6
A#0	1290	Electric Perc15
B0	1280	Electric Perc5
C1	1277	Electric Perc2
C#1	1278	Electric Perc3
D1	1282	Electric Perc7
D#1	1283	Electric Perc8
E1	1284	Electric Perc9
F1	1285	Electric Perc10
F#1	1289	Electric Perc14
G1	1288	Electric Perc13
G#1	1203	Neo Seq Em-3
A1	1089	Spectrum1
A#1	1091	Spectrum3
B1	1090	Spectrum2
C2	1209	Whisper Seq Bb
C#2	1259	Digi Voice Mod
D2	1197	Moving Chime St
D#2	1183	Engine Room St
E2	1181	Raspberry
F2	1186	DigiHeli
F#2	1167	Hop FX1
G2	1113	Willow St
G#2	1116	Anemone St
A2	1119	Magnitude St
A#2	1157	Radio Noise
B2	1165	Quiek
C3	1174	Stab Giant
C#3	1143	HH Hit
D3	1175	Stab Hard
D#3	1176	Stab Organ2
E3	1177	Stab Aah
F3	1178	Hit Uh
F#3	1179	Hit Orchestra2
G3	1171	Hit Orchestra1
G#3	1172	Hit Brass
A3	1127	Orchestra Hit1 St
A#3	1130	Orchestra Hit2 St
B3	560	Brass Sect Fall
C4	335	Play FX Mix
C#4	335	Play FX Mix
D4	2638	ElectricGtr FX23
D#4	2642	Acoustic Bass FX04
E4	2643	Acoustic Bass FX05
F4	2639	Acoustic Bass FX01
F#4	1312	Scratch H
G4	1313	Scratch L
G#4	1314	Scratch Down
A4	1315	Scratch Hi F
A#4	1325	Scratch Stop
B4	1295	Tape Rewind
C5	1268	Ripper
C#5	1273	Noise Burst
D5	1274	Zap1
D#5	1275	Zap2
E5	1291	Hi Q1
F5	1292	Hi Q2
F#5	1294	Bomb
G5	1296	FxGun1
G#5	1214	Motion Beam
A5	1110	Birch St
A#5	1044	Tri Wave
B5	1012	FM Bass2
C6	1026	FM Metal2

PRE 63 Synthetic Kit

Note	Wave Number	Wave Name
C0	1660	Bd Elec2
C#0	1325	Scratch Stop
D0	2059	Sd Brush Swir L
D#0	2051	Sd Brush Med R
E0	2058	Sd Brush Swir St
F0	2045	Sd Roll Mono
F#0	1016	FM Bass6
G0	1304	Seashore
G#0	1279	Electric Perc4
A0	1665	Bd ElecComp3
A#0	1739	Sd Strong R2
B0	1660	Bd Elec2
C1	1658	Bd Slimy
C#1	1389	Timbale Paila H
D1	1915	Sd Piccolo
D#1	1470	Clap AnSm
E1	2094	Sd Elec10
F1	991	Mg Bass2
F#1	1292	Hi Q2
G1	991	Mg Bass2
G#1	1282	Electric Perc7
A1	2451	Tom T8
A#1	2329	HH Open T8-2
B1	2451	Tom T8
C2	2451	Tom T8
C#2	2465	Crash3
D2	2451	Tom T8
D#2	2510	Ride Cup Mono
E2	2510	Ride Cup Mono
F2	2510	Ride Cup Mono
F#2	1321	Scratch Sd F
G2	2496	Ride Cup1 RL
G#2	1282	Electric Perc7
A2	2465	Crash3
A#2	1149	Hi-Lo
B2	2516	China2
C3	939	Ring Mod
C#3	1283	Electric Perc8
D3	939	Ring Mod
D#3	1282	Electric Perc7
E3	1286	Electric Perc11
F3	1392	Paila H
F#3	1392	Paila H
G3	1167	Hop FX1
G#3	1168	Hop FX2
A3	1312	Scratch H
A#3	1315	Scratch Hi F
B3	1275	Zap2
C4	1166	LFO Seq
C#4	1166	LFO Seq
D4	969	Mini Bass3a
D#4	1165	Quiek
E4	1182	Digi Breath
F4	1186	DigiHeli
F#4	1282	Electric Perc7
G4	1027	FM Organ1
G#4	903	Tibetan Bowl
A4	903	Tibetan Bowl
A#4	894	Segal Dom
B4	1185	Engine Room R
C5	1283	Electric Perc8
C#5	272	Steel Slide St
D5	1018	Mini Blip2
D#5	1090	Spectrum2
E5	1021	Mini Blip5
F5	1093	Noise
F#5	1631	Bd D&B1
G5	1090	Spectrum2
G#5	1122	SabreTone
A5	1289	Electric Perc14
A#5	1283	Electric Perc8
B5	1186	DigiHeli
C6	1468	Wind Chime

PRE 64 SFX Kit

Note	Wave Number	Wave Name
C0	926	Fat Saw Mn
C#0	1329	Scratch Attack
D0	1090	Spectrum2
D#0	959	3o3 Saw2
E0	1299	TurnTable
F0	2045	Sd Roll Mono
F#0	1016	FM Bass6
G0	1295	Tape Rewind
G#0	1280	Electric Perc5
A0	1664	Bd ElecComp2
A#0	1762	Sd Normal St1-4
B0	1658	Bd Slimy
C1	1660	Bd Elec2
C#1	969	Mini Bass3a
D1	1850	Sd BluesHeart St1-3
D#1	960	3o3 Square
E1	1831	Sd SonA 3L
F1	2455	Tom Dist Hi
F#1	1186	DigiHeli
G1	2455	Tom Dist Hi
G#1	1277	Electric Perc2
A1	2455	Tom Dist Hi
A#1	2329	HH Open T8-2
B1	2455	Tom Dist Hi
C2	2455	Tom Dist Hi
C#2	2465	Crash3
D2	2455	Tom Dist Hi
D#2	2495	Ride Cup1 R
E2	2492	Ride2 RL
F2	2511	Ride Cup Mono2
F#2	1315	Scratch Hi F
G2	2518	Splash L
G#2	965	Mini Bass1
A2	2457	Crash1 St
A#2	1183	Engine Room St
B2	2496	Ride Cup1 RL
C3	945	Sync LFO
C#3	949	P5 SawDown 0 dg
D3	932	OB Strings
D#3	1763	Sd Normal St1-3
E3	1286	Electric Perc11
F3	947	PWM Slow
F#3	1166	LFO Seq
G3	1138	BigSyn
G#3	1138	BigSyn
A3	1179	Hit Orchestra2
A#3	870	Small Tabla Dom
B3	1047	Digi 03
C4	1047	Digi 03
C#4	1045	Digi 01
D4	1045	Digi 01
D#4	1169	Sonar1
E4	1175	Stab Hard
F4	1183	Engine Room St
F#4	1193	Chatter
G4	1160	Hoo
G#4	901	Mondira
A4	901	Mondira
A#4	202	Rotor
B4	1181	Raspberry
C5	1186	DigiHeli
C#5	960	3o3 Square
D5	1168	Hop FX2
D#5	1084	DigiBell3
E5	1293	Vox Hit Rev
F5	1291	Hi Q1
F#5	1295	Tape Rewind
G5	1297	FxGun2
G#5	1296	FxGun1
A5	1298	Thunder
A#5	1300	Police
B5	1294	Bomb
C6	1294	Bomb

GM Drum Stereo GM Kit

Note	Wave Number	Wave Name
C0	1449	Clave
C#0	2046	Sd Brush Soft St
D0	2058	Sd Brush Swir St
D#0	2049	Sd Brush Med St
E0	2061	Sd Brush SwirAtt St
F0	2042	Sd LiveRoll St
F#0	1448	Castanet
G0	1768	Sd Normal 1St
G#0	1446	Stick1
A0	1536	Bd Funk St1-2
A#0	1802	Sd Basic St2-3
B0	1545	Bd High St
C1	1527	Bd Normal St1-2
C#1	2031	Sd Closed Rim St
D1	1762	Sd Normal St1-4
D#1	1469	Clap T9
E1	1801	Sd Basic St1-2
F1	2363	Tom Floor St
F#1	2174	HH Closed 1-4St
G1	2359	Tom Low St
G#1	2197	HH Pedal 3 St
A1	2359	Tom Low St
A#1	2212	HH Open 2St
B1	2355	Tom Mid St
C2	2355	Tom Mid St
C#2	2461	Crash2 St
D2	2351	Tom Hi St
D#2	2485	Ride1 St
E2	2512	China St
F2	2493	Ride Cup1 St
F#2	1419	Tambourine1 Sw
G2	2517	Splash St
G#2	1462	Cowbell2
A2	2464	Crash2 RL
A#2	1451	Vibraslap
B2	2488	Ride1 RL
C3	1363	Bongo Hi 1Finger 1-2
C#3	1376	Bongo Lo 3Finger 1-2
D3	1335	Conga Hi Tip
D#3	1339	Conga Hi Open 2
E3	1357	Tumba Open
F3	1381	Timbale Hi1-3
F#3	1385	Timbale Lo1-2
G3	1429	Agogo Hi
G#3	1430	Agogo Lo
A3	1399	Cabasa1-2
A#3	1397	Maracas Slur
B3	1452	Whistle
C4	1452	Whistle
C#4	1433	Guiro Short
D4	1432	Guiro Long
D#4	1449	Clave
E4	1450	Wood Block
F4	1450	Wood Block
F#4	1362	Cuica Hi
G4	1361	Cuica Lo
G#4	1455	Triangle Mute
A4	1454	Triangle Open
A#4	1406	Shaker 1
B4	1467	Sleigh Bell
C5	1468	Wind Chime
C#5	1842	Sd Blues L1-3
D5	1865	Sd Tight St1-4
D#5	1858	Sd BluesHeart R1-3
E5	1885	Sd Hip St1-2
F5	1548	Bd Low St
F#5	2010	Sd LdwHMono
G5	1633	Bd R&B1
G#5	2013	Sd Heavy
A5	1571	Bd Room1
A#5	1920	Sd Ambience
B5	1557	Bd Funk Son St
C6	1572	Bd Room2

Waveform List

No	Category	Name	No	Category	Name	No	Category	Name	No	Category	Name	No	Category	Name	No	Category	Name
1	Ap	CF3 Stretch Sw St	101	Ep	DX Body Med	201	Or	Clack 2	301	Gt	Clean Hammer On	401	St	Violin St Of	501	St	Hard Ensemble R-
2	Ap	CF3 Stretch Sw Mn	102	Ep	DX Body Hard	202	Or	Rotor	302	Gt	Clean Slap	402	St	Violin L Of	502	St	Hard Ensemble St Of
3	Ap	CF3 Stretch Soft St	103	Ep	DX Attack1	203	Or	Rotor Whistle	303	Gt	Clean Slide	403	St	Violin R Of	503	St	Hard Ensemble L Of
4	Ap	CF3 Stretch Soft Mn	104	Ep	DX Attack2	204	Or	Rotor Grit1	304	Gt	Clean Harmonics	404	St	Viola St	504	St	Hard Ensemble R Of
5	Ap	CF3 Stretch Soft St+	105	Ep	DX Attack3	205	Or	Rotor Grit2	305	Gt	Clean Mute	405	St	Viola L	505	St	OrchStrgs Soft St
6	Ap	CF3 Stretch Soft Mn+	106	Ep	DX Attack4	206	Or	Compact Electronic	306	Gt	Clean Dead	406	St	Viola R	506	St	OrchStrgs Soft St+
7	Ap	CF3 Stretch Soft St-	107	Ep	DX Attack5	207	Or	Compact Electronic-	307	Gt	Clean FX	407	St	Viola St+	507	St	OrchStrgs Soft St-
8	Ap	CF3 Stretch Soft Mn-	108	Kb	Clav1	208	Or	Portable Electronic	308	Gt	60s Clean Open Soft	408	St	Viola L+	508	St	OrchStrgs Soft L
9	Ap	CF3 Stretch Med St	109	Kb	Clav1+	209	Or	Portable Electronic-	309	Gt	60s Clean Open Med	409	St	Viola R+	509	St	OrchStrgs Soft L+
10	Ap	CF3 Stretch Med Mn	110	Kb	Clav1-	210	Or	Pipe Organ1 St	310	Gt	60s Clean Open Hard	410	St	Viola St-	510	St	OrchStrgs Soft L-
11	Ap	CF3 Stretch Med St+	111	Kb	Clav2	211	Or	Pipe Organ1 L	311	Gt	60s Clean Open Sw	411	St	Viola L-	511	St	OrchStrgs Soft R
12	Ap	CF3 Stretch Med Mn+	112	Kb	Clav2+	212	Or	Pipe Organ1 R	312	Gt	60s Clean Open Sw Kb	412	St	Viola R-	512	St	OrchStrgs Soft R+
13	Ap	CF3 Stretch Med St-	113	Kb	Clav2-	213	Or	Pipe Organ2	313	Gt	60s Clean Open Sw2	413	St	Viola St Of	513	St	OrchStrgs Soft R-
14	Ap	CF3 Stretch Med Mn-	114	Kb	Clav3	214	Or	Pipe Organ3 St	314	Gt	60s Clean Dead	414	St	Viola L Of	514	St	OrchStrgs Soft St Of
15	Ap	CF3 Stretch Hard St	115	Kb	Clav3+	215	Or	Pipe Organ3 L	315	Gt	60s Clean Mute	415	St	Viola R Of	515	St	OrchStrgs Soft L Of
16	Ap	CF3 Stretch Hard Mn	116	Kb	Clav3-	216	Or	Pipe Organ3 R	316	Gt	60s Clean Hammer On	416	St	Cello St	516	St	OrchStrgs Soft R Of
17	Ap	CF3 Stretch Hard St+	117	Kb	Clav Key Off	217	Or	Pipe Organ4	317	Gt	60s Clean Slide	417	St	Cello L	517	St	OrchStrgs Med St
18	Ap	CF3 Stretch Hard Mn+	118	Kb	Harpischord	218	Or	Pipe Organ5	318	Gt	60s Clean Harmonics	418	St	Cello R	518	St	OrchStrgs Med St+
19	Ap	CF3 Stretch Hard St-	119	Kb	Celesta	219	Or	Accordion	319	Gt	60s Clean FX	419	St	Cello St+	519	St	OrchStrgs Med St-
20	Ap	CF3 Stretch Hard Mn-	120	Cp	Vibraphone	220	Or	Tango Accordion	320	Gt	60s Clean Slap	420	St	Cello L+	520	St	OrchStrgs Med L
21	Ap	CF3 Key Off St	121	Cp	Marimba	221	Gt	Nylon Open Soft St	321	Gt	Jazz Guitar	421	St	Cello R+	521	St	OrchStrgs Med L-
22	Ap	CF3 Key Off L	122	Cp	Glockenspiel	222	Gt	Nylon Open Soft L	322	Gt	Vintage Amp1	422	St	Cello St-	522	St	OrchStrgs Med R
23	Ap	CF3 Key Off R	123	Cp	Xylophone	223	Gt	Nylon Open Soft R	323	Gt	Vintage Amp2	423	St	Cello L-	523	St	OrchStrgs Med R-
24	Ap	CF3 Flat Sw St	124	Cp	Tubular Bell	224	Gt	Nylon Open Med St	324	Gt	Neck Pickup	424	St	Cello R-	524	St	OrchStrgs Med R+
25	Ap	CF3 Flat Sw Mn	125	Cp	Bell	225	Gt	Nylon Open Med L	325	Gt	Distortion Open	425	St	Cello St Of	525	St	OrchStrgs Med R-
26	Ap	CF3 Flat Soft St	126	Cp	Bell St1	226	Gt	Nylon Open Med R	326	Gt	Distortion Harmonics	426	St	Cello L Of	526	St	OrchStrgs Med St Of
27	Ap	CF3 Flat Soft Mn	127	Cp	Bell St2	227	Gt	Nylon Open Hard St	327	Gt	Distortion Mute	427	St	Cello R Of	527	St	OrchStrgs Med L Of
28	Ap	CF3 Flat Soft St+	128	Cp	Brass Bell	228	Gt	Nylon Open Hard L	328	Gt	Overdrive Open	428	St	Contrabass St	528	St	OrchStrgs Med R Of
29	Ap	CF3 Flat Soft Mn+	129	Cp	Small Bell	229	Gt	Nylon Open Hard R	329	Gt	Overdrive Mute	429	St	Contrabass L	529	St	OrchStrgs Hard St
30	Ap	CF3 Flat Soft St-	130	Cp	Finger Cymbal	230	Gt	Nylon Open Sw St	330	Gt	Distortion FX	430	St	Contrabass R	530	St	OrchStrgs Hard St+
31	Ap	CF3 Flat Soft Mn-	131	Cp	Hand Bell	231	Gt	Nylon Open Sw L	331	Gt	Dist/Overdrive FX	431	St	Contrabass St+	531	St	OrchStrgs Hard St-
32	Ap	CF3 Flat Med St	132	Cp	Hibashi	232	Gt	Nylon Open Sw R	332	Gt	Feedback	432	St	Contrabass L+	532	St	OrchStrgs Hard L
33	Ap	CF3 Flat Med Mn	133	Cp	Stone Hard	233	Gt	Nylon Open Sw Kb St	333	Gt	Power Chord St	433	St	Contrabass R+	533	St	OrchStrgs Hard L+
34	Ap	CF3 Flat Med St+	134	Cp	Stone Soft	234	Gt	Nylon Open Sw Kb L	334	Gt	Power Chord Mono	434	St	Contrabass St-	534	St	OrchStrgs Hard L-
35	Ap	CF3 Flat Med Mn+	135	Cp	Wood Bell1	235	Gt	Nylon Open Sw Kb R	335	Gt	Play FX Mix	435	St	Contrabass L-	535	St	OrchStrgs Hard R
36	Ap	CF3 Flat Med St-	136	Cp	Wood Bell2	236	Gt	Nylon Dead Notes St	336	Gt	Power Chord FX St	436	St	Contrabass R-	536	St	OrchStrgs Hard R+
37	Ap	CF3 Flat Med Mn-	137	Cp	Timpani Sw St	237	Gt	Nylon Dead Notes L	337	Gt	Power Chord FX Mono	437	St	Contrabass St Of	537	St	OrchStrgs Hard R-
38	Ap	CF3 Flat Hard St	138	Cp	Timpani Soft St	238	Gt	Nylon Dead Notes R	338	Gt	Banjo	438	St	Contrabass L Of	538	St	OrchStrgs Hard St Of
39	Ap	CF3 Flat Hard Mn	139	Cp	Timpani Hard St	239	Gt	Nylon Mute St	339	Ba	Acoustic Med	439	St	Contrabass R Of	539	St	OrchStrgs Hard L Of
40	Ap	CF3 Flat Hard St+	140	Cp	Timpani Sw L	240	Gt	Nylon Mute L	340	Ba	Acoustic Hard	440	St	Solo Combi St	540	St	OrchStrgs Hard R Of
41	Ap	CF3 Flat Hard Mn+	141	Cp	Timpani Soft L	241	Gt	Nylon Mute R	341	Ba	Acoustic Harmonics	441	St	Solo Combi L	541	St	Orchestral Harp
42	Ap	CF3 Flat Hard St-	142	Cp	Timpani Hard L	242	Gt	Nylon Hammer St	342	Ba	Acoustic Dead	442	St	Solo Combi R	542	Br	Brass Sect1 St
43	Ap	CF3 Flat Hard Mn-	143	Cp	Timpani Sw R	243	Gt	Nylon Hammer L	343	Ba	Acoustic FX1	443	St	Solo Combi St+	543	Br	Brass Sect1 St+
44	Ap	Brite Piano	144	Cp	Timpani Soft R	244	Gt	Nylon Hammer R	344	Ba	Acoustic FX2	444	St	Solo Combi L+	544	Br	Brass Sect1 St-
45	Ap	Brite Piano-	145	Cp	Timpani Hard R	245	Gt	Nylon Slide St	345	Ba	Acoustic Med+	445	St	Solo Combi R+	545	Br	Brass Sect1 L
46	Ap	CP70	146	Or	Rock Chorus Vibrato	246	Gt	Nylon Slide L	346	Ba	Acoustic Hard+	446	St	Solo Combi St-	546	Br	Brass Sect1 L+
47	Ap	CP70+	147	Or	Rock Percussion	247	Gt	Nylon Slide R	347	Ba	Acoustic Med-	447	St	Solo Combi L-	547	Br	Brass Sect1 L-
48	Ap	CP70-	148	Or	Rock2	248	Gt	Nylon Harmonics St	348	Ba	Acoustic Hard-	448	St	Solo Combi R-	548	Br	Brass Sect1 R
49	Ep	EP1 Sw	149	Or	Rock2+	249	Gt	Nylon Harmonics L	349	Ba	Pick Open	449	St	Solo Combi St Of	549	Br	Brass Sect1 R+
50	Ep	EP1 Soft	150	Or	Rock2-	250	Gt	Nylon Harmonics R	350	Ba	Pick Harmonics	450	St	Solo Combi L Of	550	Br	Brass Sect1 R-
51	Ep	EP1 Soft+	151	Or	Jazz w/Percussion	251	Gt	Nylon FX St	351	Ba	Pick Mute	451	St	Solo Combi R Of	551	Br	Brass Sect1 St Of
52	Ep	EP1 Soft-	152	Or	Jazz w/Percussion-	252	Gt	Nylon FX L	352	Ba	Pick Dead	452	St	Solo Combi St	552	Br	Brass Sect1 St+ Of
53	Ep	EP1 Med	153	Or	Jazz	253	Gt	Nylon FX R	353	Ba	Pick Open+	453	St	Solo Combi2 L	553	Br	Brass Sect1 St- Of
54	Ep	EP1 Med+	154	Or	Jazz+	254	Gt	Steel Open Soft St	354	Ba	Pick Mute+	454	St	Solo Combi2 R	554	Br	Brass Sect1 L Of
55	Ep	EP1 Med-	155	Or	Jazz-	255	Gt	Steel Open Soft L	355	Ba	Pick Open-	455	St	Solo Combi2 St Of	555	Br	Brass Sect1 L+ Of
56	Ep	EP1 Hard	156	Or	Full Draw	256	Gt	Steel Open Soft R	356	Ba	Pick Mute-	456	St	Solo Combi2 L Of	556	Br	Brass Sect1 L- Of
57	Ep	EP1 Hard+	157	Or	Full Draw+	257	Gt	Steel Open Med St	357	Ba	Finger Med	457	St	Solo Combi2 R Of	557	Br	Brass Sect1 R Of
58	Ep	EP1 Hard-	158	Or	Full Draw-	258	Gt	Steel Open Med L	358	Ba	Finger Hard	458	St	Solo Combi3 St	558	Br	Brass Sect1 R+ Of
59	Ep	EP2 Sw	159	Or	Swish	259	Gt	Steel Open Med R	359	Ba	Finger Harmonics	459	St	Solo Combi3 L	559	Br	Brass Sect1 R- Of
60	Ep	EP2 Soft1	160	Or	Swish-	260	Gt	Steel Open Hard St	360	Ba	Finger Med+	460	St	Solo Combi3 R	560	Br	Brass Sect Fall
61	Ep	EP2 Soft1+	161	Or	Bow	261	Gt	Steel Open Hard L	361	Ba	Finger Hard+	461	St	Solo Combi3 St Of	561	Br	Brass Sect2 Soft St
62	Ep	EP2 Soft1-	162	Or	Bow Chorus Vibrato	262	Gt	Steel Open Hard R	362	Ba	Finger Med-	462	St	Solo Combi3 L Of	562	Br	Brass Sect2 Soft St+
63	Ep	EP2 Soft2	163	Or	Gospel	263	Gt	Steel Open Sw St	363	Ba	Finger Hard-	463	St	Solo Combi3 R Of	563	Br	Brass Sect2 Soft St-
64	Ep	EP2 Soft2+	164	Or	Soul	264	Gt	Steel Open Sw L	364	Ba	Finger Dead	464	St	Solo Spiccato Combi	564	Br	Brass Sect2 Soft L
65	Ep	EP2 Soft2-	165	Or	1st Four Draw	265	Gt	Steel Open Sw R	365	Ba	P-Bass Rndwound Med	465	St	Solo Spiccato Combi+	565	Br	Brass Sect2 Soft L+
66	Ep	EP2 Hard1	166	Or	Draw 16'	266	Gt	Steel Open Sw Kb St	366	Ba	P-Bass Rndwound Hard	466	St	Solo Spiccato Combi-	566	Br	Brass Sect2 Soft L-
67	Ep	EP2 Hard1+	167	Or	Draw 5 1/3	267	Gt	Steel Open Sw Kb L	367	Ba	P-Bass Rndwound Med+	467	St	Pizzicato1 St	567	Br	Brass Sect2 Soft R
68	Ep	EP2 Hard1-	168	Or	Draw 8'	268	Gt	Steel Open Sw Kb R	368	Ba	P-Bass Rndwound Hrd+	468	St	Pizzicato1 Mono	568	Br	Brass Sect2 Soft R+
69	Ep	EP2 Hard2	169	Or	Draw 4'	269	Gt	Steel Hammer On St	369	Ba	P-Bass Rndwound Med-	469	St	Pizzicato 2	569	Br	Brass Sect2 Soft R-
70	Ep	EP2 Hard2+	170	Or	Draw 2 2/3	270	Gt	Steel Hammer On L	370	Ba	P-Bass Rndwound Hrd-	470	St	Pop Pizzicato	570	Br	Brass Sect2 SoftStOf
71	Ep	EP2 Hard2-	171	Or	Draw 2'	271	Gt	Steel Hammer On R	371	Ba	P-Bass Flatwound	471	St	Large Pizzicato St	571	Br	Brass Sect2 Soft LOf
72	Ep	EP3 Sw	172	Or	Draw 1 3/5	272	Gt	Steel Slide St	372	Ba	P-Bass Flatwound+	472	St	Large Pizzicato L	572	Br	Brass Sect2 Soft ROf
73	Ep	EP3 Soft1	173	Or	Draw 1 1/3	273	Gt	Steel Slide L	373	Ba	P-Bass Flatwound-	473	St	Large Pizzicato R	573	Br	Brass Sect2 Med St
74	Ep	EP3 Soft1+	174	Or	Draw 1'	274	Gt	Steel Slide R	374	Ba	Thumb/Pull Hard	474	St	Large Pizzicato St+	574	Br	Brass Sect2 Med St+
75	Ep	EP3 Soft1-	175	Or	Draw 16' Of	275	Gt	Steel Harmonics St	375	Ba	Thumb Hard	475	St	Large Pizzicato L+	575	Br	Brass Sect2 Med St-
76	Ep	EP3 Soft2	176	Or	Draw 5 1/3 Of	276	Gt	Steel Harmonics L	376	Ba	Thumb Harmonics	476	St	Large Pizzicato R+	576	Br	Brass Sect2 Med L
77	Ep	EP3 Soft2+	177	Or	Draw 8' Of	277	Gt	Steel Harmonics R	377	Ba	Thumb Soft	477	St	Large Pizzicato St-	577	Br	Brass Sect2 Med L+
78	Ep	EP3 Soft2-	178	Or	Draw 4' Of	278	Gt	Steel Mute St	378	Ba	Thumb Dead	478	St	Large Pizzicato L-	578	Br	Brass Sect2 Med L-
79	Ep	EP3 Hard1	179	Or	Draw 2 2/3 Of	279	Gt	Steel Mute L	379	Ba	Pull Dead	479	St	Large Pizzicato R-	579	Br	Brass Sect2 Med R
80	Ep	EP3 Hard1+	180	Or	Draw 2' Of	280	Gt	Steel Mute R	380	Ba	Fretless	480	St	Ensemble Mix	580	Br	Brass Sect2 Med R+
81	Ep	EP3 Hard1-	181	Or	Draw 1 3/5 Of	281	Gt	Steel Dead Notes St	381	Ba	Fretless Harmonics	481	St	Ensemble Mix St	581	Br	Brass Sect2 Med R-
82	Ep	EP3 Hard2	182	Or	Draw 1 1/3 Of	282	Gt	Steel Dead Notes L	382	Ba	Fretless+	482	St	Ensemble Mix L	582	Br	Brass Sect2 Med SIOF
83	Ep	EP3 Hard2+	183	Or	Draw 1' Of	283	Gt	Steel Dead Notes R	383	Ba	Fretless-	483	St	Ensemble Mix R	583	Br	Brass Sect2 Med L Of
84	Ep	EP3 Hard2-	184	Or	Draw 1+3	284	Gt	Steel FX St	384	Ba	Fretless Dead	484	St	Ensemble Mix St Of	584	Br	Brass Sect2 Med R Of
85	Ep	EP Key Off	185	Or	Draw 1+3+	285	Gt	Steel FX L	385	Ba	Electric Bass FX	485	St	Ensemble Mix L Of	585	Br	Brass Sect2 Hard St
86	Ep																

Waveform List

No	Category	Name	No	Category	Name	No	Category	Name	No	Category	Name	No	Category	Name	No	Category	Name
601	Br	Trumpet 2	701	Rd	Clarinet Hard L+	801	Pi	Flute2 Hard L-	901	Pc	Mondira	1001	Vw	Analog Bass4	1101	Vw	Med Detuned Pad L
602	Br	Trumpet 2+	702	Rd	Clarinet Hard L-	802	Pi	Flute2 Hard R	902	Pc	Tibetan Bell	1002	Vw	Analog Bass4 Of	1102	Vw	Med Detuned Pad R
603	Br	Trumpet 2-	703	Rd	Clarinet Hard R	803	Pi	Flute2 Hard R+	903	Pc	Tibetan Bowl	1003	Vw	Analog Bass5	1103	Vw	StrongDetuned Pad St
604	Br	Trumpet 2 Of	704	Rd	Clarinet Hard R+	804	Pi	Flute2 Hard R-	904	Pc	Ghungghuru	1004	Vw	Analog Bass5 Of	1104	Vw	StrongDetuned Pad L
605	Br	Trumpet Mute	705	Rd	Clarinet Hard R-	805	Pi	Flute2 Hard St Of	905	Vo	Hah Choir St	1005	Vw	Analog Bass6	1105	Vw	StrongDetuned Pad R
606	Br	Trumpet Mute Of	706	Rd	Clarinet Hard St Of	806	Pi	Flute2 Hard L Of	906	Vo	Hah Choir L	1006	Vw	Analog Bass6 Of	1106	Vw	Med Detuned 3osc
607	Br	Trombone1	707	Rd	Clarinet Hard L Of	807	Pi	Flute2 Hard R Of	907	Vo	Hah Choir R	1007	Vw	UniBass	1107	Vw	XP Brass
608	Br	Trombone1-	708	Rd	Clarinet Hard R Of	808	Pi	Piccolo	908	Vo	Ooh Choir St	1008	Vw	UniBass Of	1108	Vw	XP Brass Lp
609	Br	Trombone1 Of	709	Rd	Oboe1	809	Pi	Piccolo Of	909	Vo	Ooh Choir L	1009	Vw	T8 Kick Bass	1109	Vw	Heterodyning
610	Br	Trombone1- Of	710	Rd	Oboe1 Of	810	Pi	Pan Flute	910	Vo	Ooh Choir R	1010	Vw	T8 Kick Bass Of	1110	Me	Birch St
611	Br	Trombone2	711	Rd	Oboe2 Med St	811	Pi	Pan Flute-	911	Vo	Ooh St	1011	Vw	FM Bass1	1111	Me	Birch L
612	Br	Trombone2 Of	712	Rd	Oboe2 Med St+	812	Pi	Irish Pipe	912	Vo	Ooh L	1012	Vw	FM Bass2	1112	Me	Birch R
613	Br	Soft Trombone	713	Rd	Oboe2 Med St-	813	Pi	Irish Pipe Of	913	Vo	Ooh R	1013	Vw	FM Bass3	1113	Me	Willow St
614	Br	Soft Trombone Of	714	Rd	Oboe2 Med L	814	Pi	Shakuhachi	914	Vo	Ooh St Of	1014	Vw	FM Bass4	1114	Me	Willow L
615	Br	Soft Flugelhorn	715	Rd	Oboe2 Med L+	815	Pi	Shakuhachi Of	915	Vo	Ooh L Of	1015	Vw	FM Bass5	1115	Me	Willow R
616	Br	Soft Flugelhorn-	716	Rd	Oboe2 Med L-	816	Pi	Recorder	916	Vo	Ooh R Of	1016	Vw	FM Bass6	1116	Me	Anemone St
617	Br	Soft Flugelhorn Of	717	Rd	Oboe2 Med R	817	Pi	Recorder Of	917	Vo	Cho Breath L	1017	Vw	Mini Blip1	1117	Me	Anemone L
618	Br	Soft Flugelhorn- Of	718	Rd	Oboe2 Med R+	818	Pi	Bottle	918	Vo	Cho Breath R	1018	Vw	Mini Blip2	1118	Me	Anemone R
619	Br	Flugelhorn	719	Rd	Oboe2 Med R-	819	Pi	Ocarina	919	Vo	SynVox	1019	Vw	Mini Blip3	1119	Me	Magnitude St
620	Br	Flugelhorn Of	720	Rd	Oboe2 Med St Of	820	Pi	Ocarina Of	920	Vo	VoxNoiz	1020	Vw	Mini Blip4	1120	Me	Magnitude L
621	Br	French Horn St	721	Rd	Oboe2 Med L Of	821	Pi	Human Whistle	921	Vo	Itopia	1021	Vw	Mini Blip5	1121	Me	Magnitude R
622	Br	French Horn L	722	Rd	Oboe2 Med R Of	822	Pi	Breath One Shot	922	Vw	PWM Strings St	1022	Vw	Mini Blip6	1122	Me	SabreTone
623	Br	French Horn R	723	Rd	Oboe2 Hard St	823	Pi	Didgeridoo 1	923	Vw	PWM Strings Mn	1023	Vw	FM Square	1123	Me	String Pad St
624	Br	French Horn St+	724	Rd	Oboe2 Hard St+	824	Pi	Didgeridoo 2	924	Vw	Long Saw	1024	Vw	FM Shaper	1124	Me	String Pad L
625	Br	French Horn L+	725	Rd	Oboe2 Hard St-	825	Pi	Didgeridoo 3	925	Vw	Fat Saw St	1025	Vw	FM Metal1	1125	Me	String Pad R
626	Br	French Horn R+	726	Rd	Oboe2 Hard L	826	Pi	Didgeridoo Combi1	926	Vw	Fat Saw Mn	1026	Vw	FM Metal2	1126	Me	VocalRes
627	Br	French Horn St-	727	Rd	Oboe2 Hard L+	827	Pi	Didgeridoo Combi2	927	Vw	Fat Saw Mn-	1027	Vw	FM Organ1	1127	Me	Orchestra Hit1 St
628	Br	French Horn L-	728	Rd	Oboe2 Hard L-	828	Pi	Sho	928	Vw	OB Mod Saw	1028	Vw	FM Organ2	1128	Me	Orchestra Hit1 L
629	Br	French Horn R-	729	Rd	Oboe2 Hard R	829	Pi	Shanai	929	Vw	VP Strings St	1029	Vw	FM Organ3	1129	Me	Orchestra Hit1 R
630	Br	French Horn St Of	730	Rd	Oboe2 Hard R+	830	Pi	Shanai Of	930	Vw	VP Strings L	1030	Vw	FM Organ4	1130	Me	Orchestra Hit2 St
631	Br	French Horn L Of	731	Rd	Oboe2 Hard R-	831	Pi	Ney	931	Vw	VP Strings R	1031	Vw	FM Funk	1131	Me	Orchestra Hit2 L
632	Br	French Horn R Of	732	Rd	Oboe2 Hard St Of	832	Pi	Ney Of	932	Vw	OH Strings	1032	Vw	FM Guitar	1132	Me	Orchestra Hit2 R
633	Br	French Horn St+ Of	733	Rd	Oboe2 Hard L Of	833	Pi	Kaval	933	Vw	Syzzle Strings	1033	Vw	FS Buzz	1133	Me	Orchestra Hit3
634	Br	French Horn L+ Of	734	Rd	Oboe2 Hard R Of	834	Pi	Kaval Of	934	Vw	Padd	1034	Vw	Wet Pluck	1134	Me	Vox Bell
635	Br	French Horn R+ Of	735	Rd	English Horn	835	St	Keman	935	Vw	Dark Light	1035	Vw	Lately-S	1135	Me	Mellow
636	Br	French Horn St- Of	736	Rd	English Horn Of	836	St	Keman Of	936	Vw	OB Brass	1036	Vw	Lately-L	1136	Me	FX Chime
637	Br	French Horn L- Of	737	Rd	Bassoon Med St	837	Gt	Sitar	937	Vw	Trance St	1037	Vw	P10-1	1137	Me	BellAir
638	Br	French Horn R- Of	738	Rd	Bassoon Med St+	838	Gt	Sitar Waves1	938	Vw	Trance Mn	1038	Vw	P10-2	1138	Me	BigSyn
639	Br	French Horn Solo+	739	Rd	Bassoon Med St-	839	Gt	Sitar Waves2	939	Vw	Ring Mod	1039	Vw	P10-3	1139	Me	Trance Choir
640	Br	French Horn Solo-	740	Rd	Bassoon Med L	840	Gt	Sitar Waves3	940	Vw	Sync Lead1	1040	Vw	P25-1	1140	Me	StabOrgan1
641	Br	French Horn Solo+ Of	741	Rd	Bassoon Med L+	841	Gt	Sitar Waves4	941	Vw	Sync Lead2	1041	Vw	P25-2	1141	Me	Eery
642	Br	French Horn Solo Of	742	Rd	Bassoon Med L-	842	Gt	Sitar Waves5	942	Vw	Sync Lead3	1042	Vw	P50-1	1142	Me	Electer
643	Br	French Horn Solo- Of	743	Rd	Bassoon Med R	843	Gt	Sitar Waves6	943	Vw	Sync Lead4	1043	Vw	P50-2	1143	Me	HH Hit
644	Br	French Horn Solo- Of	744	Rd	Bassoon Med R+	844	Gt	Tambura	944	Vw	Sync Lead5	1044	Vw	Tri Wave	1144	Me	VoxAlk
645	Br	Tuba	745	Rd	Bassoon Med R-	845	Gt	Tambura Waves1	945	Vw	Sync LFO	1045	Vw	Digi 01	1145	Me	MultiPiano
646	Br	Tuba Lp	746	Rd	Bassoon Med St Of	846	Gt	Tambura Waves2	946	Vw	PWM Fast	1046	Vw	Digi 02	1146	Me	Bell Choir
647	Rd	Soprano Sax1	747	Rd	Bassoon Med L Of	847	Gt	Tambura Waves3	947	Vw	PWM Slow	1047	Vw	Digi 03	1147	Me	Bell Choir Lp
648	Rd	Soprano Sax1 Of	748	Rd	Bassoon Med R Of	848	Gt	Santur	948	Vw	CS80 Brass	1048	Vw	Digi 04	1148	Me	Dirty Perc
649	Rd	Soprano Sax2	749	Rd	Bassoon Hard St	849	Gt	Ud	949	Vw	P5 SawDown 0 dg	1049	Vw	Digi 05	1149	Me	Hi-Lo
650	Rd	Soprano Sax2 Of	750	Rd	Bassoon Hard St+	850	Gt	Kanun	950	Vw	P5 SawDown 180 dg	1050	Vw	Digi 06	1150	Me	AirHose St
651	Rd	Alto Sax1	751	Rd	Bassoon Hard St-	851	Gt	Baglama	951	Vw	P5 SawDown PhaseRndm	1051	Vw	Digi 07	1151	Me	AirHose L
652	Rd	Alto Sax1 Of	752	Rd	Bassoon Hard L	852	Gt	Bouzouki	952	Vw	P5 SawUp 0 dg	1052	Vw	Digi 08	1152	Me	AirHose R
653	Rd	Alto Sax 2	753	Rd	Bassoon Hard L+	853	Gt	Shamisen	953	Vw	P5 SawUp 90 dg	1053	Vw	Digi 09	1153	Me	Bubble
654	Rd	Alto Sax2 Of	754	Rd	Bassoon Hard L-	854	Gt	Koto	954	Vw	P5 SawUp 180 dg	1054	Vw	Digi 10	1154	Me	Swarm
655	Rd	Alto Sax Vb	755	Rd	Bassoon Hard R	855	Cp	Kalimba	955	Vw	P5 SawUp 270 dg	1055	Vw	Digi 11	1155	Me	Lektronica
656	Rd	Alto Sax Vb Of	756	Rd	Bassoon Hard R+	856	Cp	Gamelan1	956	Vw	OB Saw	1056	Vw	Digi 12	1156	Me	Space Scream
657	Rd	Tenor Sax1	757	Rd	Bassoon Hard R-	857	Cp	Gamelan2	957	Vw	Saw	1057	Vw	Bell1 Wave	1157	Me	Radio Noise
658	Rd	Tenor Sax1 Of	758	Rd	Bassoon Hard St Of	858	Cp	Steel Drum	958	Vw	3o3 Saw	1058	Vw	Bell2 Wave	1158	Me	Oxf Feedback
659	Rd	Tenor Sax2 Hard	759	Rd	Bassoon Hard L Of	859	Pc	Log Drum1	959	Vw	3o3 Saw2	1059	Vw	DigiVox1	1159	Me	Fainwave
660	Rd	Tenor Sax2 Hard+	760	Rd	Bassoon Hard R Of	860	Pc	Log Drum2	960	Vw	3o3 Square	1060	Vw	DigiVox2	1160	Me	Hoo
661	Rd	Tenor Sax2 Hard-	761	Rd	Bagpipe1	861	Pc	Wataiko	961	Vw	1o1 Saw	1061	Vw	DigiVox3	1161	Me	Mind Bell
662	Rd	Tenor Sax2 Hard Of	762	Rd	Bagpipe2	862	Pc	Djembe Edge	962	Vw	1o1 Sub	1062	Vw	DigiVox4	1162	Me	Loop145
663	Rd	Tenor Sax2 Med	763	Rd	Sax Breath	863	Pc	Djembe Mute	963	Vw	Saw Square	1063	Vw	DigiVox5	1163	Me	X-Fade
664	Rd	Tenor Sax2 Med+	764	Rd	Harmonica	864	Pc	Djembe Open	964	Vw	Square Saw	1064	Vw	Vox G2	1164	Me	Resonance X-Fade
665	Rd	Tenor Sax2 Med-	765	Rd	Chromatic Harmonica	865	Pc	Djembe Combi	965	Vw	Mini Bass1	1065	Vw	Vox E3	1165	Me	Quiek
666	Rd	Tenor Sax2 Med Of	766	Rd	Blues Harmonica	866	Pc	Tabla Bya	966	Vw	Mini Bass1 Of	1066	Vw	Digi Osc1	1166	Me	LFO Seq
667	Rd	Tenor Sax2 Growl	767	Pi	Flute Non-Vib	867	Pc	Tabla Nah	967	Vw	Mini Bass2	1067	Vw	DigiOsc2	1167	Me	Hop FX1
668	Rd	Tenor Sax2 Growl+	768	Pi	Flute Non-Vib Of	868	Pc	Tabla Mute	968	Vw	Mini Bass2 Of	1068	Vw	DigiOsc3	1168	Me	Hop FX2
669	Rd	Tenor Sax2 Growl-	769	Pi	Flute1	869	Pc	Tabla Combi	969	Vw	Mini Bass3a	1069	Vw	DigiOsc4	1169	Me	Sonar1
670	Rd	Tenor Sax2 Growl Of	770	Pi	Flute1 Of	870	Pc	Small Tabla Dom	970	Vw	Mini Bass3b	1070	Vw	DigiOsc5	1170	Me	Sonar2
671	Rd	Baritone Sax	771	Pi	Flute1 Attack	871	Pc	Small Tabla Snap	971	Vw	Mini Bass3c	1071	Vw	DigiOsc6	1171	Me	Hit Orchestra1
672	Rd	Baritone Sax Of	772	Pi	Flute2 Soft St	872	Pc	Small Tabla Sak	972	Vw	Q Symbass	1072	Vw	DigiOsc7	1172	Me	Hit Brass
673	Rd	Clarinet Soft St	773	Pi	Flute2 Soft St+	873	Pc	Small Tabla Tak	973	Vw	Q Symbass Of	1073	Vw	EP Wave 1	1173	Me	Stab Orchestra
674	Rd	Clarinet Soft St+	774	Pi	Flute2 Soft St-	874	Pc	Big Tabla Dom	974	Vw	Punch	1074	Vw	EP Wave 2	1174	Me	Stab Giant
675	Rd	Clarinet Soft St-	775	Pi	Flute2 Soft L	875	Pc	Big Tabla Tak	975	Vw	Punch Of	1075	Vw	EP Wave 3	1175	Me	Stab Hard
676	Rd	Clarinet Soft L	776	Pi	Flute2 Soft L+	876	Pc	Big Tabla Sak	976	Vw	Synth Bass1	1076	Vw	EP Wave 4	1176	Me	Stab Organ2
677	Rd	Clarinet Soft L+	777	Pi	Flute2 Soft L-	877	Pc	Tabla Dom	977	Vw	Synth Bass2	1077	Vw	EP Wave 5	1177	Me	Stab Aah
678	Rd	Clarinet Soft L-	778	Pi	Flute2 Soft R	878	Pc	Tabla Tak1	978	Vw	Blip Bass	1078	Vw	EP Wave 6	1178	Me	Hit Uhh
679	Rd	Clarinet Soft R	779	Pi	Flute2 Soft R+	879	Pc	Tabla Tak2	979	Vw	Blip Bass Of	1079	Vw	Organ Wave1	1179	Me	Hit Orchestra2
680	Rd	Clarinet Soft R+	780	Pi	Flute2 Soft R-	880	Pc	Tabla Tak1	980	Vw	Klick Bass	1080	Vw	Organ Wave2	1180	Me	Vox Drum
681	Rd	Clarinet Soft R-	781	Pi	Flute2 Soft St Of	881	Pc	Tabla Tik2	981	Vw	Klick Bass Of	1081	Vw	Organ Wave3	1181	Me	Raspberry
682	Rd	Clarinet Soft St Of	782	Pi	Flute2 Soft L Of	882	Pc	Tabla Tik3	982	Vw	Puls Bass	1082	Vw	DigiBell1	1182	Me	Digi Breath
683	Rd	Clarinet Soft L Of	783	Pi	Flute2 Soft R Of	883	Pc	Tabla Sak1	983	Vw	Puls Bass Of	1083	Vw	DigiBell2	1183	Me	Engine Room St
684	Rd	Clarinet Soft R Of	784	Pi	Flute2 Med St	884	Pc	Tabla Tremolo	984	Vw	Short Uni	1084	Vw	DigiBell3	1184	Me	Engine Room L
685	Rd	Clarinet Med St	785	Pi	Flute2 Med St+	885	Pc	Udu Finger	985	Vw	Short Uni Of	1085	Vw	DigiBell4	1185	Me	Engine Room R
686	Rd	Clarinet Med St+	786	Pi	Flute2 Med St												

No	Category	Name	No	Category	Name	No	Category	Name	No	Category	Name	No	Category	Name	No	Category	Name
1201	Me	Neo Seq Em-1	1301	Se	Door Squeak	1401	Pc	Cabasa2	1501	Dr	Bd Snap 1	1601	Dr	Bd PowerB 2St	1701	Dr	Sd Bld R4
1202	Me	Neo Seq Em-2	1302	Se	Heart Beat	1402	Pc	Caxixi1-2	1502	Dr	Bd Snap 2	1602	Dr	Bd PowerB 2L	1702	Dr	Sd Soul St1-4
1203	Me	Neo Seq Em-3	1303	Se	Helicopter	1403	Pc	Caxixi1	1503	Dr	Bd Snap L1-2	1603	Dr	Bd PowerB 2R	1703	Dr	Sd Soul St1-3
1204	Me	Neo Seq Em-4	1304	Se	Seashore	1404	Pc	Caxixi2	1504	Dr	Bd Snap R1-2	1604	Dr	Bd Gran Casa Open St	1704	Dr	Sd Soul St2-4
1205	Me	Neo Seq Em-5	1305	Se	Telephone	1405	Pc	Shaker 1/3	1505	Dr	Bd Snap L1	1605	Dr	Bd Gran Casa Open L	1705	Dr	Sd Soul St1-2
1206	Me	Neo Seq Em-6	1306	Se	TelRing	1406	Pc	Shaker 1	1506	Dr	Bd Snap L2	1606	Dr	Bd Gran Casa Open R	1706	Dr	Sd Soul St2-3
1207	Me	Neo Seq Em-7	1307	Se	Bird	1407	Pc	Shaker 2	1507	Dr	Bd Snap R1	1607	Dr	Bd Gran Casa Mute St	1707	Dr	Sd Soul St3-4
1208	Me	Neo Seq Em-8	1308	Se	Stream	1408	Pc	Shaker 3	1508	Dr	Bd Snap R2	1608	Dr	Bd Gran Casa Mute L	1708	Dr	Sd Soul L1-4
1209	Me	Whisper Seq Bb	1309	Se	Gunshot	1409	Pc	Shaker Hip1	1509	Dr	Bd Tight 1-2	1609	Dr	Bd Gran Casa Mute R	1709	Dr	Sd Soul R1-4
1210	Me	Whisper Seq Bb Of	1310	Se	Applause	1410	Pc	Shaker Hip2	1510	Dr	Bd Tight 1	1610	Dr	Bd Gate	1710	Dr	Sd Soul St1
1211	Me	Woody Seq St	1311	Se	RainLoop	1411	Pc	Shaker Hip3	1511	Dr	Bd Tight 2	1611	Dr	Bd FX Gate	1711	Dr	Sd Soul St2
1212	Me	Woody Seq L	1312	Se	Scratch H	1412	Pc	Shaker Hip4	1512	Dr	Bd Tight L1-2	1612	Dr	Bd T9-1	1712	Dr	Sd Soul St3
1213	Me	Woody Seq R	1313	Se	Scratch L	1413	Pc	Shaker Down	1513	Dr	Bd Tight R1-2	1613	Dr	Bd T9-2	1713	Dr	Sd Soul St4
1214	Me	Motion Beam	1314	Se	Scratch Down	1414	Pc	Shaker Up	1514	Dr	Bd Tight L1	1614	Dr	Bd T9-3	1714	Dr	Sd Soul L1
1215	Me	Warning Mod	1315	Se	Scratch Hi F	1415	Pc	Shaker Sap	1515	Dr	Bd Tight L2	1615	Dr	Bd T9-4	1715	Dr	Sd Soul L2
1216	Me	Neo Seq2 Em All	1316	Se	Scratch Hi R	1416	Pc	Tumbo 1	1516	Dr	Bd Tight R1	1616	Dr	Bd T9 Hd1	1716	Dr	Sd Soul L3
1217	Me	Neo Seq2 Em-1	1317	Se	Scratch Lo F	1417	Pc	Tumbo 2	1517	Dr	Bd Tight R2	1617	Dr	Bd T9 Hd2	1717	Dr	Sd Soul L4
1218	Me	Neo Seq2 Em-2	1318	Se	Scratch Lo R	1418	Pc	Tumbo 3	1518	Dr	Bd Ambience 1-2	1618	Dr	Bd T9 Hd3	1718	Dr	Sd Soul R1
1219	Me	Neo Seq2 Em-3	1319	Se	Scratch Bd F	1419	Pc	Tambourine1 Sw	1519	Dr	Bd Ambience 1	1619	Dr	Bd T8-1	1719	Dr	Sd Soul R2
1220	Me	Neo Seq2 Em-4	1320	Se	Scratch Bd R	1420	Pc	Tambourine1 Hit	1520	Dr	Bd Ambience 2	1620	Dr	Bd T8-2	1720	Dr	Sd Soul R3
1221	Me	Neo Seq2 Em-5	1321	Se	Scratch Sd F	1421	Pc	Tambourine1 Shake	1521	Dr	Bd Ambience L1-2	1621	Dr	Bd T8-3	1721	Dr	Sd Soul R4
1222	Me	Neo Seq2 Em-6	1322	Se	Scratch Sd R	1422	Pc	Pandeiro Open	1522	Dr	Bd Ambience R1-2	1622	Dr	Bd AnSm	1722	Dr	Sd Strong St1-4
1223	Me	Neo Seq2 Em-7	1323	Se	Scratch Vo F	1423	Pc	Pandeiro Thump	1523	Dr	Bd Ambience L1	1623	Dr	Bd AnCR	1723	Dr	Sd Strong St1-3
1224	Me	Neo Seq2 Em-8	1324	Se	Scratch Vo R	1424	Pc	Pandeiro Tip	1524	Dr	Bd Ambience L2	1624	Dr	Bd Human1	1724	Dr	Sd Strong St2-4
1225	Me	Portamento Lead Seq	1325	Se	Scratch Stop	1425	Pc	Pandeiro Heel	1525	Dr	Bd Ambience R1	1625	Dr	Bd Human2	1725	Dr	Sd Strong St1-2
1226	Me	Aero Seq All	1326	Se	Scratch Spin	1426	Pc	Tbourinr Open	1526	Dr	Bd Ambience R2	1626	Dr	Bd Blip	1726	Dr	Sd Strong St2-3
1227	Me	Aero Seq-1	1327	Se	Scratch Hip	1427	Pc	Tbourinr Finger	1527	Dr	Bd Normal St1-2	1627	Dr	Bd BlpHd	1727	Dr	Sd Strong St3-4
1228	Me	Aero Seq-2	1328	Se	Scratch Hip2	1428	Pc	Tbourinr Mute	1528	Dr	Bd Normal 1St	1628	Dr	Bd Jungle1	1728	Dr	Sd Strong St1
1229	Me	Aero Seq-3	1329	Se	Scratch Attack	1429	Pc	Agogo Hi	1529	Dr	Bd Normal 2St	1629	Dr	Bd Jungle2	1729	Dr	Sd Strong St2
1230	Me	Aero Seq-4	1330	Se	Scratch R&B	1430	Pc	Agogo Lo	1530	Dr	Bd Normal L1-2	1630	Dr	Bd Jungle3	1730	Dr	Sd Strong St3
1231	Me	Aero Seq-5	1331	Se	Scratch Combi	1431	Pc	Agogo Lo Tap	1531	Dr	Bd Normal R1-2	1631	Dr	Bd D&B1	1731	Dr	Sd Strong St4
1232	Me	Aero Seq-6	1332	Se	Scratch Combi2	1432	Pc	Guiro Long	1532	Dr	Bd Normal 1L	1632	Dr	Bd D&B2	1732	Dr	Sd Strong L1-4
1233	Me	Aero Seq-7	1333	Se	Scratch Combi3	1433	Pc	Guiro Short	1533	Dr	Bd Normal 1R	1633	Dr	Bd R&B1	1733	Dr	Sd Strong R1-4
1234	Me	Aero Seq-8	1334	Se	Scratch Combi4	1434	Pc	Guiro Swp	1534	Dr	Bd Normal 2L	1634	Dr	Bd R&B2	1734	Dr	Sd Strong L1
1235	Me	Aero Seq-9	1335	Pc	Conga Hi Tip	1435	Pc	MetalGuiro Short1-2	1535	Dr	Bd Normal 2R	1635	Dr	Bd Hip Deep	1735	Dr	Sd Strong L2
1236	Me	Aero Seq-10	1336	Pc	Conga Hi Heel	1436	Pc	MetalGuiro Short1	1536	Dr	Bd Funk St1-2	1636	Dr	Bd Break Deep	1736	Dr	Sd Strong L3
1237	Me	Aero Seq-11	1337	Pc	Conga Hi Open 1-2	1437	Pc	MetalGuiro Short2	1537	Dr	Bd Funk 1St	1637	Dr	Bd Break1	1737	Dr	Sd Strong L4
1238	Me	Aero Seq-12	1338	Pc	Conga Hi Open 1	1438	Pc	MetalGuiro Long	1538	Dr	Bd Funk 2St	1638	Dr	Bd Break2	1738	Dr	Sd Strong R1
1239	Me	Aero Seq-13	1339	Pc	Conga Hi Open 2	1439	Pc	Surdo Open	1539	Dr	Bd Funk L1-2	1639	Dr	Bd Break Heavy	1739	Dr	Sd Strong R2
1240	Me	Aero Seq-14	1340	Pc	Conga Hi Mute	1440	Pc	Surdo Mute	1540	Dr	Bd Funk R1-2	1640	Dr	Bd Break Hard	1740	Dr	Sd Strong R3
1241	Me	Aero Seq-15	1341	Pc	Conga Hi Slip Open	1441	Pc	Cajon Kick	1541	Dr	Bd Funk 1 L	1641	Dr	Bd Distortion1	1741	Dr	Sd Strong R4
1242	Me	Aero Seq-16	1342	Pc	Conga Hi Slap	1442	Pc	Cajon Slap	1542	Dr	Bd Funk 1 R	1642	Dr	Bd Distortion2	1742	Dr	Sd Rng St1-4
1243	Me	FM Tubular Bass	1343	Pc	Conga Hi SlapMute1-2	1443	Pc	Cajon Tip 1-2	1543	Dr	Bd Funk 2 L	1643	Dr	Bd Distortion3	1743	Dr	Sd Rng St1-3
1244	Se	Fx Female Voice St	1344	Pc	Conga Hi SlapMute 1	1444	Pc	Cajon Tip 1	1544	Dr	Bd Funk 2 R	1644	Dr	Bd Distortion4	1744	Dr	Sd Rng St2-4
1245	Se	Fx Female Voice L	1345	Pc	Conga Hi SlapMute 2	1445	Pc	Cajon Tip 2	1545	Dr	Bd High St	1645	Dr	Bd Distortion5	1745	Dr	Sd Rng St1-2
1246	Se	Fx Female Voice R	1346	Pc	Conga Lo Tip	1446	Pc	Stick1	1546	Dr	Bd High L	1646	Dr	Bd Distortion RM	1746	Dr	Sd Rng St2-3
1247	Se	Grain1	1347	Pc	Conga Lo Heel	1447	Pc	Stick2	1547	Dr	Bd High R	1647	Dr	Bd +HH	1747	Dr	Sd Rng St3-4
1248	Se	Grain2 St	1348	Pc	Conga Lo Open 1-2	1448	Pc	Castanet	1548	Dr	Bd Low St	1648	Dr	Bd FxHammer	1748	Dr	Sd Rng St1
1249	Se	Grain2 L	1349	Pc	Conga Lo Open 1	1449	Pc	Clave	1549	Dr	Bd Low L	1649	Dr	Bd ZapHard	1749	Dr	Sd Rng St2
1250	Se	Grain2 R	1350	Pc	Conga Lo Open 2	1450	Pc	Wood Block	1550	Dr	Bd Low R	1650	Dr	Bd ZapMid	1750	Dr	Sd Rng St3
1251	Se	Grain3 St	1351	Pc	Conga Lo Mute	1451	Pc	Vibraslap	1551	Dr	Bd H Son St	1651	Dr	Bd Sustain	1751	Dr	Sd Rng St4
1252	Se	Grain3 L	1352	Pc	Conga Lo SlapOpen	1452	Pc	Whistle	1552	Dr	Bd H Son L	1652	Dr	Bd TekPower	1752	Dr	Sd Rng L1-4
1253	Se	Grain3 R	1353	Pc	Quinto1 Open	1453	Pc	Triangle Sw	1553	Dr	Bd H Son R	1653	Dr	Bd Hard Long	1753	Dr	Sd Rng R1-4
1254	Se	Moving Harp St	1354	Pc	Quinto1 Slap	1454	Pc	Triangle Open	1554	Dr	Bd L Son St	1654	Dr	Bd Analog Tight	1754	Dr	Sd Rng L1
1255	Se	Moving Harp L	1355	Pc	Quinto2 Open	1455	Pc	Triangle Mute	1555	Dr	Bd L Son L	1655	Dr	Bd AnaHard	1755	Dr	Sd Rng L2
1256	Se	Moving Harp R	1356	Pc	Quinto2 Heel	1456	Pc	HandClap St	1556	Dr	Bd L Son R	1656	Dr	Bd Lo-Fi	1756	Dr	Sd Rng L3
1257	Se	Metal Mod	1357	Pc	Tumba Open	1457	Pc	HandClap L	1557	Dr	Bd Funk Son St	1657	Dr	Bd ThickSkin	1757	Dr	Sd Rng L4
1258	Se	Digital Wind	1358	Pc	Tumba Slap	1458	Pc	HandClap R	1558	Dr	Bd Funk Son L	1658	Dr	Bd Slimy	1758	Dr	Sd Rng R1
1259	Se	Digi Voice Mod	1359	Pc	Tumba Tip	1459	Pc	Handbell L	1559	Dr	Bd Funk Son R	1659	Dr	Bd Elec1	1759	Dr	Sd Rng R2
1260	Se	Ethnic Rhythm Rv All	1360	Pc	Tumba Heel	1460	Pc	Handbell H	1560	Dr	Bd Rock1 St	1660	Dr	Bd Elec2	1760	Dr	Sd Rng R3
1261	Se	Ethnic Rhythm Rv-1	1361	Pc	Cuica Lo	1461	Pc	Cowbell1	1561	Dr	Bd Rock1 L	1661	Dr	Bd Elec3	1761	Dr	Sd Rng R4
1262	Se	Ethnic Rhythm Rv-2	1362	Pc	Cuica Hi	1462	Pc	Cowbell2	1562	Dr	Bd Rock1 R	1662	Dr	Bd Elec4	1762	Dr	Sd Normal St1-4
1263	Se	Ethnic Rhythm Rv-3	1363	Pc	Bongo Hi 1Finger 1-2	1463	Pc	Mambo B1	1563	Dr	Bd Rock2 St	1663	Dr	Bd ElecComp1	1763	Dr	Sd Normal St1-3
1264	Se	Ethnic Rhythm Rv-4	1364	Pc	Bongo Hi 1Finger 1	1464	Pc	Mambo B2	1564	Dr	Bd Rock2 L	1664	Dr	Bd ElecComp2	1764	Dr	Sd Normal St2-4
1265	Se	Ethnic Rhythm Rv-5	1365	Pc	Bongo Hi 1Finger 2	1465	Pc	Mambo Body	1565	Dr	Bd Rock2 R	1665	Dr	Bd ElecComp3	1765	Dr	Sd Normal St1-2
1266	Se	Ethnic Rhythm Rv-6	1366	Pc	Bongo Hi 3Finger 1-2	1466	Pc	ChaCha	1566	Dr	Bd Dry1	1666	Dr	Bd ElecFX1	1766	Dr	Sd Normal St2-3
1267	Se	Ethnic Rhythm Rv-7	1367	Pc	Bongo Hi 3Finger 1	1467	Pc	Sleigh Bell	1567	Dr	Bd Dry2	1667	Dr	Bd ElecFX2	1767	Dr	Sd Normal St3-4
1268	Se	Ripper	1368	Pc	Bongo Hi 3Finger 2	1468	Pc	Wind Chime	1568	Dr	Bd Pop	1668	Dr	Bd ElecGate	1768	Dr	Sd Normal 1St-4
1269	Se	Glass	1369	Pc	Bongo Hi Rim	1469	Pc	Clap T9	1569	Dr	Bd Var1	1669	Dr	Bd ElecClick	1769	Dr	Sd Normal 2St
1270	Se	Bell FX1	1370	Pc	Bongo Hi Tip	1470	Pc	Clap AnSm	1570	Dr	Bd Var2	1670	Dr	Bd ElecPower1	1770	Dr	Sd Normal 3St
1271	Se	Bell FX2	1371	Pc	Bongo Hi Heel	1471	Pc	Electric Clap1	1571	Dr	Bd Room1	1671	Dr	Bd ElecPower2	1771	Dr	Sd Normal 4St
1272	Se	IndusTom	1372	Pc	Bongo Hi Slap	1472	Pc	Electric Clap2	1572	Dr	Bd Room2	1672	Dr	Bd HipHop1	1772	Dr	Sd Normal L1-4
1273	Se	Noise Burst	1373	Pc	Bongo Lo 1Finger 1-2	1473	Pc	Conga T8	1573	Dr	Bd Room3	1673	Dr	Bd HipHop2	1773	Dr	Sd Normal R1-4
1274	Se	Zap1	1374	Pc	Bongo Lo 1Finger 1	1474	Pc	Cowbell T8	1574	Dr	Bd Jazz1-2St	1674	Dr	Bd HipHop3	1774	Dr	Sd Normal 1L
1275	Se	Zap2	1375	Pc	Bongo Lo 1Finger 2	1475	Pc	Cowbell RX11	1575	Dr	Bd Jazz1-2L	1675	Dr	Bd HipHop4	1775	Dr	Sd Normal 1R
1276	Se	Electric Perc1	1376	Pc	Bongo Lo 3Finger 1-2	1476	Pc	Cowbell AnCR	1576	Dr	Bd Jazz1-2R	1676	Dr	Bd HipHop5	1776	Dr	Sd Normal 2L
1277	Se	Electric Perc2	1377	Pc	Bongo Lo 3Finger 1	1477	Pc	Electric Cowbell	1577	Dr	Bd Jazz1St	1677	Dr	Bd HipHop6	1777	Dr	Sd Normal 2R
1278	Se	Electric Perc3	1378	Pc	Bongo Lo 3Finger 2	1478	Pc	Analog Shaker	1578	Dr	Bd Jazz1L	1678	Dr	Bd HipHop7	1778	Dr	Sd Normal 3L
1279	Se	Electric Perc4	1379	Pc	Bongo Lo Rim	1479	Pc	Tambourine RX5	1579	Dr	Bd Jazz1R	1679	Dr	Bd HipHop8	1779	Dr	Sd Normal 3R
1280	Se	Electric Perc5	1380	Pc	Bongo Lo Tip	1480	Pc	Tambourine AnCR	1580	Dr	Bd Jazz2St	1680	Dr	Bd HipHop9	1780	Dr	Sd Normal 4L
1281	Se	Electric Perc6	1381	Pc	Timbale Hi1-3	1481	Pc										

No	Category	Name	No	Category	Name	No	Category	Name	No	Category	Name	No	Category	Name	No	Category	Name
1801	Dr	Sd Basic S11-2	1901	Dr	Sd Rock Rim1 L	2001	Dr	Sd PowerD 3R	2101	Dr	Sd T9-5	2201	Dr	HH Pedal 2 L	2301	Dr	HH Power ClEGdge 2St
1802	Dr	Sd Basic S12-3	1902	Dr	Sd Rock Rim1 R	2002	Dr	Sd PowerD 4St	2102	Dr	Sd T9Gate	2202	Dr	HH Pedal 3 L	2302	Dr	HH Power ClEGdge 2L
1803	Dr	Sd Basic S11/3	1903	Dr	Sd Rock Open2 St	2003	Dr	Sd PowerD 4L	2103	Dr	Sd T9Rim	2203	Dr	HH Pedal 1 R	2303	Dr	HH Power ClEGdge 2R
1804	Dr	Sd Basic 1St	1904	Dr	Sd Rock Open2 L	2004	Dr	Sd PowerD 4R	2104	Dr	Sd T8-1	2204	Dr	HH Pedal 2 R	2304	Dr	HH Power ClEGdge 2RL
1805	Dr	Sd Basic 2St	1905	Dr	Sd Rock Open2 R	2005	Dr	Sd PowerD 5St	2105	Dr	Sd T8-2	2205	Dr	HH Pedal 3 R	2305	Dr	HH Power ClEGdge 3St
1806	Dr	Sd Basic 3St	1906	Dr	Sd Rock Mute2 St	2006	Dr	Sd PowerD 5L	2106	Dr	Sd T8-3	2206	Dr	HH Pedal 1-3RL	2306	Dr	HH Power ClEGdge 3L
1807	Dr	Sd Basic L1-3	1907	Dr	Sd Rock Mute2 L	2007	Dr	Sd PowerD 5R	2107	Dr	Sd T8-4	2207	Dr	HH Pedal 1 RL	2307	Dr	HH Power ClEGdge 3R
1808	Dr	Sd Basic R1-3	1908	Dr	Sd Rock Mute2 R	2008	Dr	Sd Gate1	2108	Dr	Sd T8-5	2208	Dr	HH Pedal 2 RL	2308	Dr	HH Power ClEGdge 3RL
1809	Dr	Sd Basic 1L	1909	Dr	Sd Rock Rim2 St	2009	Dr	Sd Gate2	2109	Dr	Sd T8 Rim	2209	Dr	HH Pedal 3 RL	2309	Dr	HH Power ClEGdge 4St
1810	Dr	Sd Basic 1R	1910	Dr	Sd Rock Rim2 L	2010	Dr	Sd LdwHMono	2110	Dr	Sd AnSm	2210	Dr	HH Open 1-2St	2310	Dr	HH Power ClEGdge 4L
1811	Dr	Sd Basic 2L	1911	Dr	Sd Rock Rim2 R	2011	Dr	Sd BreakRim	2111	Dr	Sd AnSm Rim	2211	Dr	HH Open 1St	2311	Dr	HH Power ClEGdge 4R
1812	Dr	Sd Basic 2R	1912	Dr	Sd Rock Flam St	2012	Dr	Sd Dry	2112	Dr	Sd AnCR	2212	Dr	HH Open 2St	2312	Dr	HH Power ClEGdge 4RL
1813	Dr	Sd Basic 3L	1913	Dr	Sd Rock Flam L	2013	Dr	Sd Heavy	2113	Dr	Sd AnCR Rim	2213	Dr	HH Open 1-2L	2313	Dr	HH Power ClPedal St
1814	Dr	Sd Basic 3R	1914	Dr	Sd Rock Flam R	2014	Dr	Sd GM	2114	Dr	Sd Human1	2214	Dr	HH Open 1-2R	2314	Dr	HH Power ClPedal L
1815	Dr	Sd SonA S11-4	1915	Dr	Sd Piccolo	2015	Dr	Sd Rock Stick1 St	2115	Dr	Sd Human2	2215	Dr	HH Open 1L	2315	Dr	HH Power ClPedal R
1816	Dr	Sd SonA S11-3	1916	Dr	Sd Piccolo Rim1	2016	Dr	Sd Rock Stick1 L	2116	Dr	Sd Jungle1	2216	Dr	HH Open 2L	2316	Dr	HH Power ClPedal RL
1817	Dr	Sd SonA S12-4	1917	Dr	Sd Piccolo Rim2	2017	Dr	Sd Rock Stick1 R	2117	Dr	Sd Jungle2	2217	Dr	HH Open 1R	2317	Dr	HH Power Open EdgeSt
1818	Dr	Sd SonA S11-2	1918	Dr	Sd Mid	2018	Dr	Sd Rock Stick2 St	2118	Dr	Sd Jungle3	2218	Dr	HH Open 2R	2318	Dr	HH Power Open EdgeL
1819	Dr	Sd SonA S12-3	1919	Dr	Sd Mid Rim	2019	Dr	Sd Rock Stick2 L	2119	Dr	Sd JungleFX	2219	Dr	HH Open 1-2RL	2319	Dr	HH Power Open EdgeR
1820	Dr	Sd SonA S13-4	1920	Dr	Sd Ambience	2020	Dr	Sd Rock Stick2 R	2120	Dr	Sd D&B1	2220	Dr	HH Open 1-2L	2320	Dr	HH Power Open EdgeRL
1821	Dr	Sd SonA 1St	1921	Dr	Sd PowerA 1-5St	2021	Dr	Sd Hip Stick1	2121	Dr	Sd D&B2	2221	Dr	HH Open 2Rt	2321	Dr	HH Brush Closed
1822	Dr	Sd SonA 2St	1922	Dr	Sd PowerA 1-5L	2022	Dr	Sd Hip Stick2	2122	Dr	Sd D&B3	2222	Dr	HH Closed Foot St	2322	Dr	HH Brush Open
1823	Dr	Sd SonA 3St	1923	Dr	Sd PowerA 1-5R	2023	Dr	Sd Hip Stick3	2123	Dr	Sd D&B4	2223	Dr	HH Closed Foot L	2323	Dr	HH Brush Pedal
1824	Dr	Sd SonA 4St	1924	Dr	Sd PowerA 1-4St	2024	Dr	Sd Hip Stick4	2124	Dr	Sd R&B1	2224	Dr	HH Closed Foot R	2324	Dr	HH Closed T9
1825	Dr	Sd SonA L1-4	1925	Dr	Sd PowerA 1-4L	2025	Dr	Sd Hip Stick5	2125	Dr	Sd R&B1 Rim	2225	Dr	HH Closed Foot RL	2325	Dr	HH Open T9
1826	Dr	Sd SonA R1-4	1926	Dr	Sd PowerA 1-4R	2026	Dr	Sd Hip Stick6 St	2126	Dr	Sd R&B2	2226	Dr	HH Half Open2 St	2326	Dr	HH Closed T8-1
1827	Dr	Sd SonA 1L	1927	Dr	Sd PowerA 1St	2027	Dr	Sd Hip Stick6 L	2127	Dr	Sd Hip1	2227	Dr	HH Half Open2 L	2327	Dr	HH Open T8-1
1828	Dr	Sd SonA 1R	1928	Dr	Sd PowerA 1R	2028	Dr	Sd Hip Stick6 R	2128	Dr	Sd Hip2	2228	Dr	HH Half Open2 R	2328	Dr	HH Closed T8-2
1829	Dr	Sd SonA 2L	1929	Dr	Sd PowerA 1L	2029	Dr	Sd Hip Stick7	2129	Dr	Sd Hip3	2229	Dr	HH Half Open2 RL	2329	Dr	HH Open T8-2
1830	Dr	Sd SonA 2R	1930	Dr	Sd PowerA 2St	2030	Dr	Sd Hip Stick8	2130	Dr	Sd Hip Gate	2230	Dr	HH Open2 St	2330	Dr	HH Closed RX5
1831	Dr	Sd SonA 3L	1931	Dr	Sd PowerA 2L	2031	Dr	Sd Closed Rim St	2131	Dr	Sd Hip Rim1	2231	Dr	HH Open2 L	2331	Dr	HH Closed AnCR
1832	Dr	Sd SonA 3R	1932	Dr	Sd PowerA 2R	2032	Dr	Sd Closed Rim L	2132	Dr	Sd Hip Rim2	2232	Dr	HH Open 2R	2332	Dr	HH Open AnCR
1833	Dr	Sd SonA 4L	1933	Dr	Sd PowerA 3St	2033	Dr	Sd Closed Rim R	2133	Dr	Sd Hip Rim3	2233	Dr	HH Open2 RL	2333	Dr	HH Closed Break
1834	Dr	Sd SonA 4R	1934	Dr	Sd PowerA 3L	2034	Dr	Sd Closed Rim 2	2134	Dr	Sd Hip Rim4	2234	Dr	HH Closed Rock Sw St	2334	Dr	HH Pedal Break
1835	Dr	Sd Blues S11-3	1935	Dr	Sd PowerA 3R	2035	Dr	Sd Closed Rim3	2135	Dr	Sd Hip Rim5	2235	Dr	HH Closed Rock Sw R	2335	Dr	HH Closed D&B
1836	Dr	Sd Blues S11-2	1936	Dr	Sd PowerA 4St	2036	Dr	Sd RockRoll St	2136	Dr	Sd Hip2	2236	Dr	HH Closed Rock S St	2336	Dr	HH Pedal D&B
1837	Dr	Sd Blues S12-3	1937	Dr	Sd PowerA 4L	2037	Dr	Sd RockRoll L	2137	Dr	Sd Break2	2237	Dr	HH Closed Rock S RL	2337	Dr	HH Open D&B
1838	Dr	Sd Blues S11/3	1938	Dr	Sd PowerA 4R	2038	Dr	Sd RockRoll R	2138	Dr	Sd Break3	2238	Dr	HH Closed Rock H St	2338	Dr	HH Reverse D&B
1839	Dr	Sd Blues 1St	1939	Dr	Sd PowerA 5St	2039	Dr	Sd RockRollID St	2139	Dr	Sd Break Heavy	2239	Dr	HH Closed Rock H RL	2339	Dr	HH Closed Tek
1840	Dr	Sd Blues 2St	1940	Dr	Sd PowerA 5L	2040	Dr	Sd RockRollID L	2140	Dr	Sd Break Roll	2240	Dr	HH Closed Rock Sw L	2340	Dr	HH Open Tek
1841	Dr	Sd Blues 3St	1941	Dr	Sd PowerA 5R	2041	Dr	Sd RockRollID R	2141	Dr	Sd FX1	2241	Dr	HH Closed Rock Sw R	2341	Dr	HH Closed Hip
1842	Dr	Sd Blues L1-3	1942	Dr	Sd PowerB 1-5St	2042	Dr	Sd LiveRoll St	2142	Dr	Sd FX2	2242	Dr	HH Closed Rock S L	2342	Dr	HH Pedal Hip
1843	Dr	Sd Blues R1-3	1943	Dr	Sd PowerB 1-5L	2043	Dr	Sd LiveRoll L	2143	Dr	Sd FX3	2243	Dr	HH Closed Rock S R	2343	Dr	HH Open Hip
1844	Dr	Sd Blues 1L	1944	Dr	Sd PowerB 1-5R	2044	Dr	Sd LiveRoll R	2144	Dr	Sd FX4	2244	Dr	HH Closed Rock H L	2344	Dr	HH Closed Lo-Fi
1845	Dr	Sd Blues 1R	1945	Dr	Sd PowerB 1-4St	2045	Dr	Sd Roll Mono	2145	Dr	Sd ClapAna	2245	Dr	HH Closed Rock H R	2345	Dr	HH Open Lo-Fi
1846	Dr	Sd Blues 2L	1946	Dr	Sd PowerB 1-4L	2046	Dr	Sd Brush Soft St	2146	Dr	Sd Dist	2246	Dr	HH Pedal Rock Sw St	2346	Dr	HH Closed Syn
1847	Dr	Sd Blues 2R	1947	Dr	Sd PowerB 1-4R	2047	Dr	Sd Brush Soft L	2147	Dr	Sd Cut	2247	Dr	HH Pedal Rock Sw RL	2347	Dr	HH Open Syn
1848	Dr	Sd Blues 3L	1948	Dr	Sd PowerB 1St	2048	Dr	Sd Brush Soft R	2148	Dr	Sd Garg H	2248	Dr	HH Pedal Rock Sw L	2348	Dr	HH Closed FX
1849	Dr	Sd Blues 3R	1949	Dr	Sd PowerB 1L	2049	Dr	Sd Brush Med St	2149	Dr	Sd Garg L	2249	Dr	HH Pedal Rock Sw R	2349	Dr	HH Open FX
1850	Dr	Sd BluesHeart S11-3	1950	Dr	Sd PowerB 1R	2050	Dr	Sd Brush Med L	2150	Dr	Sd FM	2250	Dr	HH Closed Rock 2St	2350	Dr	HH Open Human
1851	Dr	Sd BluesHeart S11-2	1951	Dr	Sd PowerB 2St	2051	Dr	Sd Brush Med R	2151	Dr	Sd FM Rim	2251	Dr	HH Closed Rock 2L	2351	Dr	Tom Hi St
1852	Dr	Sd BluesHeart S12-3	1952	Dr	Sd PowerB 2L	2052	Dr	Sd Brush vari St	2152	Dr	Sd Syn	2252	Dr	HH Closed Rock 2R	2352	Dr	Tom Hi L
1853	Dr	Sd BluesHeart S11/3	1953	Dr	Sd PowerB 2R	2053	Dr	Sd Brush vari L	2153	Dr	Sd Clappy	2253	Dr	HH Closed Rock 2RL	2353	Dr	Tom Hi R
1854	Dr	Sd BluesHeart 1St	1954	Dr	Sd PowerB 3St	2054	Dr	Sd Brush vari R	2154	Dr	Sd Timber	2254	Dr	HH Pedal Rock St	2354	Dr	Tom Hi RL
1855	Dr	Sd BluesHeart 2St	1955	Dr	Sd PowerB 3L	2055	Dr	Sd Closed Rim4 St	2155	Dr	Sd Wood	2255	Dr	HH Pedal Rock L	2355	Dr	Tom Mid St
1856	Dr	Sd BluesHeart 3St	1956	Dr	Sd PowerB 3R	2056	Dr	Sd Closed Rim4 L	2156	Dr	Sd Hammer	2256	Dr	HH Pedal Rock R	2356	Dr	Tom Mid L
1857	Dr	Sd BluesHeart L1-3	1957	Dr	Sd PowerB 4St	2057	Dr	Sd Closed Rim4 R	2157	Dr	Sd Lo-Fi	2257	Dr	HH Pedal Rock RL	2357	Dr	Tom Mid R
1858	Dr	Sd BluesHeart R1-3	1958	Dr	Sd PowerB 4L	2058	Dr	Sd Brush Swir St	2158	Dr	Sd Rim SE	2258	Dr	HH Open Rock Sw St	2358	Dr	Tom Mid RL
1859	Dr	Sd BluesHeart 1L	1959	Dr	Sd PowerB 4R	2059	Dr	Sd Brush Swir L	2159	Dr	Sd HipHop1	2259	Dr	HH Open Rock Sw R	2359	Dr	Tom Low St
1860	Dr	Sd BluesHeart 1R	1960	Dr	Sd PowerB 5St	2060	Dr	Sd Brush Swir R	2160	Dr	Sd HipHop2	2260	Dr	HH Open Rock St	2360	Dr	Tom Low L
1861	Dr	Sd BluesHeart 2L	1961	Dr	Sd PowerB 5L	2061	Dr	Sd Brush SwirAtt St	2161	Dr	Sd HipHop3	2261	Dr	HH Open Rock RL	2361	Dr	Tom Low R
1862	Dr	Sd BluesHeart 2R	1962	Dr	Sd PowerB 5R	2062	Dr	Sd Brush SwirAtt L	2162	Dr	Sd HipHop5	2262	Dr	HH Half Open Rock St	2362	Dr	Tom Low RL
1863	Dr	Sd BluesHeart 3L	1963	Dr	Sd PowerB 5St	2063	Dr	Sd Brush SwirAtt R	2163	Dr	Sd HipHop6	2263	Dr	HH Open Rock Sw L	2363	Dr	Tom Floor St
1864	Dr	Sd BluesHeart 3R	1964	Dr	Sd PowerB 5L	2064	Dr	Sd Orcht1 Sw St	2164	Dr	Sd HipHop7	2264	Dr	HH Open Rock Sw R	2364	Dr	Tom Floor L
1865	Dr	Sd Tight S11-4	1965	Dr	Sd PowerB 5R	2065	Dr	Sd Orcht1 S St	2165	Dr	Sd HipHop9	2265	Dr	HH Open Rock L	2365	Dr	Tom Floor R
1866	Dr	Sd Tight S11-3	1966	Dr	Sd PowerC 1-5St	2066	Dr	Sd Orcht1 H St	2166	Dr	Sd HipHop10	2266	Dr	HH Open Rock R	2366	Dr	Tom Floor RL
1867	Dr	Sd Tight S12-4	1967	Dr	Sd PowerC 1-5L	2067	Dr	Sd Orcht1 Sw L	2167	Dr	Sd HipHop11	2267	Dr	HH Half Open Rock L	2367	Dr	Tom Rock Hi St
1868	Dr	Sd Tight S11-2	1968	Dr	Sd PowerC 1-5R	2068	Dr	Sd Orcht1 S R	2168	Dr	Sd HipHop Rim1	2268	Dr	HH Half Open Rock R	2368	Dr	Tom Rock Hi L
1869	Dr	Sd Tight S12-3	1969	Dr	Sd PowerC 1-4St	2069	Dr	Sd Orcht1 S L	2169	Dr	Sd HipHop Rim2	2269	Dr	HH Half Open Rock RL	2369	Dr	Tom Rock Hi R
1870	Dr	Sd Tight S13-4	1970	Dr	Sd PowerC 1-4L	2070	Dr	Sd Orcht1 H L	2170	Dr	Sd HipHop Rim3	2270	Dr	HH Closed Mono	2370	Dr	Tom Rock Hi RL
1871	Dr	Sd Tight 1St	1971	Dr	Sd PowerC 1-4R	2071	Dr	Sd Orcht1 S R	2171	Dr	Sd HipHop Rim4	2271	Dr	HH Open Mono	2371	Dr	Tom Rock Mid St
1872	Dr	Sd Tight 2St	1972	Dr	Sd PowerC 1St	2072	Dr	Sd Orcht1 H R	2172	Dr	Sd HipHop Rim5	2272	Dr	HH Pedal Mono	2372	Dr	Tom Rock Mid L
1873	Dr	Sd Tight 3St	1973	Dr	Sd PowerC 1L	2073	Dr	Sd Orcht2 SwSt	2173	Dr	Sd HipHop Rim6	2273	Dr	HH Power ClTip 1-4St	2373	Dr	Tom Rock Mid R
1874	Dr	Sd Tight 4St	1974	Dr	Sd PowerC 1R	2074	Dr	Sd Orcht2 S St	2174	Dr	HH Closed 1-4St	2274	Dr	HH Power ClTip 1-4L	2374	Dr	Tom Rock Mid RL
1875	Dr	Sd Tight L1-4	1975	Dr	Sd PowerC 2St	2075	Dr	Sd Orcht2 H St	2175	Dr	HH Closed 1St	2275	Dr	HH Power ClTip 1-4R	2375	Dr	Tom Rock Low St
1876	Dr	Sd Tight R1-4	1976	Dr	Sd PowerC 2L	2076	Dr	Sd Orcht2 Sw L	2176	Dr	HH Closed 2St	2276	Dr	HH Power ClTip 1-4RL	2376	Dr	Tom Rock Low L
1877	Dr	Sd Tight 1L	1977	Dr	Sd PowerC 2R	2077	Dr	Sd Orcht2 Sw R	2177	Dr	HH Closed 3St	2277	Dr	HH Power ClTip 1St	2377	Dr	Tom Rock Low R
1878	Dr	Sd Tight 1R	1978	Dr	Sd PowerC 3St	2078	Dr	Sd Orcht2 S L	2178	Dr	HH Closed 4St	2278	Dr	HH Power ClTip 1L	2378	Dr	Tom Rock Low RL
1																	

No	Category	Name	No	Category	Name	No	Category	Name
2401	Dr	Tom Power03 2R	2501	Dr	Ride Brush2 St	2601	Se	AcousticGtr FX26 St
2402	Dr	Tom Power03 2RL	2502	Dr	Ride Brush2 L	2602	Se	AcousticGtr FX26 L
2403	Dr	Tom Power04 1-2St	2503	Dr	Ride Brush2 R	2603	Se	AcousticGtr FX26 R
2404	Dr	Tom Power04 1-2L	2504	Dr	Ride Brush2 RL	2604	Se	AcousticGtr FX27 St
2405	Dr	Tom Power04 1-2R	2505	Dr	Ride Cup2 St	2605	Se	AcousticGtr FX27 L
2406	Dr	Tom Power04 1-2RL	2506	Dr	Ride Cup2 L	2606	Se	AcousticGtr FX27 R
2407	Dr	Tom Power04 1St	2507	Dr	Ride Cup2 R	2607	Se	AcousticGtr FX28 St
2408	Dr	Tom Power04 1L	2508	Dr	Ride Cup2 RL	2608	Se	AcousticGtr FX28 L
2409	Dr	Tom Power04 1R	2509	Dr	Ride Mono	2609	Se	AcousticGtr FX28 R
2410	Dr	Tom Power04 1RL	2510	Dr	Ride Cup Mono	2610	Se	AcousticGtr FX29 St
2411	Dr	Tom Power04 2St	2511	Dr	Ride Cup Mono2	2611	Se	AcousticGtr FX29 L
2412	Dr	Tom Power04 2L	2512	Dr	China St	2612	Se	AcousticGtr FX29 R
2413	Dr	Tom Power04 2R	2513	Dr	China L	2613	Se	AcousticGtr FX30 St
2414	Dr	Tom Power04 2RL	2514	Dr	China R	2614	Se	AcousticGtr FX30 L
2415	Dr	Tom Power05 1-2St	2515	Dr	China RL	2615	Se	AcousticGtr FX30 R
2416	Dr	Tom Power05 1-2L	2516	Dr	China2	2616	Se	ElectricGtr FX01
2417	Dr	Tom Power05 1-2R	2517	Dr	Splash St	2617	Se	ElectricGtr FX02
2418	Dr	Tom Power05 1-2RL	2518	Dr	Splash L	2618	Se	ElectricGtr FX03
2419	Dr	Tom Power05 1St	2519	Dr	Splash R	2619	Se	ElectricGtr FX04
2420	Dr	Tom Power05 1L	2520	Dr	Splash RL	2620	Se	ElectricGtr FX05
2421	Dr	Tom Power05 1R	2521	Dr	Crash T9	2621	Se	ElectricGtr FX06
2422	Dr	Tom Power05 1RL	2522	Dr	Crash T8	2622	Se	ElectricGtr FX07
2423	Dr	Tom Power05 2St	2523	Dr	Crash Syn	2623	Se	ElectricGtr FX08
2424	Dr	Tom Power05 2L	2524	Dr	Ride T9	2624	Se	ElectricGtr FX09
2425	Dr	Tom Power05 2R	2525	Dr	Reverse Cymbal	2625	Se	ElectricGtr FX10
2426	Dr	Tom Power05 2RL	2526	Se	AcousticGtr FX01 St	2626	Se	ElectricGtr FX11
2427	Dr	Tom Brush Hi St	2527	Se	AcousticGtr FX01 L	2627	Se	ElectricGtr FX12
2428	Dr	Tom Brush Hi L	2528	Se	AcousticGtr FX01 R	2628	Se	ElectricGtr FX13
2429	Dr	Tom Brush Hi R	2529	Se	AcousticGtr FX02 St	2629	Se	ElectricGtr FX14
2430	Dr	Tom Brush Hi RL	2530	Se	AcousticGtr FX02 L	2630	Se	ElectricGtr FX15
2431	Dr	Tom Brush Mid St	2531	Se	AcousticGtr FX02 R	2631	Se	ElectricGtr FX16
2432	Dr	Tom Brush Mid L	2532	Se	AcousticGtr FX03 St	2632	Se	ElectricGtr FX17
2433	Dr	Tom Brush Mid R	2533	Se	AcousticGtr FX03 L	2633	Se	ElectricGtr FX18
2434	Dr	Tom Brush Mid RL	2534	Se	AcousticGtr FX03 R	2634	Se	ElectricGtr FX19
2435	Dr	Tom Brush Low St	2535	Se	AcousticGtr FX04 St	2635	Se	ElectricGtr FX20
2436	Dr	Tom Brush Low L	2536	Se	AcousticGtr FX04 L	2636	Se	ElectricGtr FX21
2437	Dr	Tom Brush Low R	2537	Se	AcousticGtr FX04 R	2637	Se	ElectricGtr FX22
2438	Dr	Tom Brush Low RL	2538	Se	AcousticGtr FX05 St	2638	Se	ElectricGtr FX23
2439	Dr	Tom Brush floor St	2539	Se	AcousticGtr FX05 L	2639	Se	Acoustic Bass FX01
2440	Dr	Tom Brush Floor L	2540	Se	AcousticGtr FX05 R	2640	Se	Acoustic Bass FX02
2441	Dr	Tom Brush Floor R	2541	Se	AcousticGtr FX06 St	2641	Se	Acoustic Bass FX03
2442	Dr	Tom Brush Floor RL	2542	Se	AcousticGtr FX06 L	2642	Se	Acoustic Bass FX04
2443	Dr	Tom Mono Hi	2543	Se	AcousticGtr FX06 R	2643	Se	Acoustic Bass FX05
2444	Dr	Tom Mono Lo	2544	Se	AcousticGtr FX07 St	2644	Se	Acoustic Bass FX06
2445	Dr	Tom Dry Hi	2545	Se	AcousticGtr FX07 L	2645	Se	Acoustic Bass FX07
2446	Dr	Tom Dry Lo	2546	Se	AcousticGtr FX07 R	2646	Se	Acoustic Bass FX08
2447	Dr	Tom Ambience Hi	2547	Se	AcousticGtr FX08 St	2647	Se	Acoustic Bass FX09
2448	Dr	Tom Ambience Lo	2548	Se	AcousticGtr FX08 L	2648	Se	Electric Bass FX 01
2449	Dr	Tom T9 Hi	2549	Se	AcousticGtr FX08 R	2649	Se	Electric Bass FX 02
2450	Dr	Tom T9 Lo	2550	Se	AcousticGtr FX09 St	2650	Se	Electric Bass FX 03
2451	Dr	Tom T8	2551	Se	AcousticGtr FX09 L	2651	Se	Electric Bass FX 04
2452	Dr	Tom Syn1	2552	Se	AcousticGtr FX09 R	2652	Se	Electric Bass FX 05
2453	Dr	Tom Syn2	2553	Se	AcousticGtr FX10 St	2653	Se	Electric Bass FX 06
2454	Dr	Tom AnSm	2554	Se	AcousticGtr FX10 L	2654	Se	Electric Bass FX 07
2455	Dr	Tom Dist Hi	2555	Se	AcousticGtr FX10 R	2655	Se	Electric Bass FX 08
2456	Dr	Tom Dist Lo	2556	Se	AcousticGtr FX11 St	2656	Se	Electric Bass FX 09
2457	Dr	Crash1 St	2557	Se	AcousticGtr FX11 L	2657	Se	Electric Bass FX 10
2458	Dr	Crash1 L	2558	Se	AcousticGtr FX11 R	2658	Se	Electric Bass FX 11
2459	Dr	Crash1 R	2559	Se	AcousticGtr FX12 St	2659	Se	Electric Bass FX 12
2460	Dr	Crash1 RL	2560	Se	AcousticGtr FX12 L	2660	Se	Electric Bass FX 13
2461	Dr	Crash2 St	2561	Se	AcousticGtr FX12 R	2661	Se	Electric Bass FX 14
2462	Dr	Crash2 L	2562	Se	AcousticGtr FX13 St	2662	Se	Electric Bass FX 15
2463	Dr	Crash2 R	2563	Se	AcousticGtr FX13 L	2663	Se	Electric Bass FX 16
2464	Dr	Crash2 RL	2564	Se	AcousticGtr FX13 R	2664	Se	Electric Bass FX 17
2465	Dr	Crash3	2565	Se	AcousticGtr FX14 St	2665	Se	Electric Bass FX 18
2466	Dr	Crash4	2566	Se	AcousticGtr FX14 L	2666	Se	Electric Bass FX 19
2467	Dr	Crash Brush1 St	2567	Se	AcousticGtr FX14 R	2667	Se	Electric Bass FX 20
2468	Dr	Crash Brush1 L	2568	Se	AcousticGtr FX15 St	2668	Se	Electric Bass FX 21
2469	Dr	Crash Brush1 R	2569	Se	AcousticGtr FX15 L	2669	Se	Electric Bass FX 22
2470	Dr	Crash Brush1 RL	2570	Se	AcousticGtr FX15 R	2670	Se	Electric Bass FX 23
2471	Dr	Crash Brush Cup St	2571	Se	AcousticGtr FX16 St			
2472	Dr	Crash Brush Cup L	2572	Se	AcousticGtr FX16 L			
2473	Dr	Crash Brush Cup R	2573	Se	AcousticGtr FX16 R			
2474	Dr	Crash Brush Cup RL	2574	Se	AcousticGtr FX17 St			
2475	Dr	Crash Brush2 St	2575	Se	AcousticGtr FX17 L			
2476	Dr	Crash Brush2 L	2576	Se	AcousticGtr FX17 R			
2477	Dr	Crash Brush2 R	2577	Se	AcousticGtr FX18 St			
2478	Dr	Crash Brush2 RL	2578	Se	AcousticGtr FX18 L			
2479	Dr	Hand Cymbal Open St	2579	Se	AcousticGtr FX18 R			
2480	Dr	Hand Cymbal Open L	2580	Se	AcousticGtr FX19 St			
2481	Dr	Hand Cymbal Open R	2581	Se	AcousticGtr FX19 L			
2482	Dr	Hand Cymbal Mute St	2582	Se	AcousticGtr FX19 R			
2483	Dr	Hand Cymbal Mute L	2583	Se	AcousticGtr FX20 St			
2484	Dr	Hand Cymbal Mute R	2584	Se	AcousticGtr FX20 L			
2485	Dr	Ride1 St	2585	Se	AcousticGtr FX20 R			
2486	Dr	Ride1 L	2586	Se	AcousticGtr FX21 St			
2487	Dr	Ride1 R	2587	Se	AcousticGtr FX21 L			
2488	Dr	Ride1 RL	2588	Se	AcousticGtr FX21 R			
2489	Dr	Ride2 St	2589	Se	AcousticGtr FX22 St			
2490	Dr	Ride2 L	2590	Se	AcousticGtr FX22 L			
2491	Dr	Ride2 R	2591	Se	AcousticGtr FX22 R			
2492	Dr	Ride2 RL	2592	Se	AcousticGtr FX23 St			
2493	Dr	Ride Cup1 St	2593	Se	AcousticGtr FX23 L			
2494	Dr	Ride Cup1 L	2594	Se	AcousticGtr FX23 R			
2495	Dr	Ride Cup1 R	2595	Se	AcousticGtr FX24 St			
2496	Dr	Ride Cup1 RL	2596	Se	AcousticGtr FX24 L			
2497	Dr	Ride Brush1 St	2597	Se	AcousticGtr FX24 R			
2498	Dr	Ride Brush1 L	2598	Se	AcousticGtr FX25 St			
2499	Dr	Ride Brush1 R	2599	Se	AcousticGtr FX25 L			
2500	Dr	Ride Brush1 RL	2600	Se	AcousticGtr FX25 R			

Effect Type List

Category	Category (Display)	Effect Type Name	Type (HEX)		Rev	Cho	MOTIF XS				
			MSB	LSB			InsA	InsB	InsL	Mas	
	—	NO EFFECT	0	0	0	0					
	—	THRU	0	0			0	0	0		
REVERB											
	REV	REV-X HALL	1	0	0						
	REV	R3 HALL	1	1	0						
	REV	SPX HALL	1	2	0	0	0	0			
	REV	REV-X ROOM	1	10	0						
	REV	R3 ROOM	1	11	0						
	REV	SPX ROOM	1	12	0	0	0	0			
	REV	R3 PLATE	1	20	0						
	REV	SPX STAGE	1	30	0	0	0	0			
	REV	SPACE SIMULATOR	1	40	0						
DELAY											
	DLY	CROSS DELAY	2	0		0	0	0			
	DLY	TEMPO CROSS DELAY	2	10		0	0	0			
	DLY	TEMPO DELAY MONO	2	20		0	0	0			
	DLY	TEMPO DELAY STEREO	2	28		0	0	0			
	DLY	CONTROL DELAY	2	30			0	0			
	DLY	DELAY LR	2	40		0	0	0			
	DLY	DELAY LCR	2	50		0	0	0			
	DLY	DELAY LR (Stereo)	2	48		0	0	0			0
CHORUS											
	CHO	G CHORUS	3	0		0	0	0			
	CHO	2 MODULATOR	3	10		0	0	0			
	CHO	SPX CHORUS	3	20		0	0	0			
	CHO	SYMPHONIC	3	30		0	0	0			
	CHO	ENSEMBLE DETUNE	3	40		0	0	0			
FLANGER											
	FLG	VCM FLANGER	4	0		0	0	0			
	FLG	CLASSIC FLANGER	4	10		0	0	0			
	FLG	TEMPO FLANGER	4	20		0	0	0			
	FLG	DYNAMIC FLANGER	4	30			0	0			
PHASER											
	PHA	VCM PHASER MONO	5	0		0	0	0			
	PHA	VCM PHASER STEREO	5	10		0	0	0			
	PHA	TEMPO PHASER	5	20		0	0	0			
	PHA	DYNAMIC PHASER	5	30			0	0			
TOREMOLO&ROTARY											
	T&R	AUTO PAN	6	0			0	0			
	T&R	TREMOLO	6	10			0	0			
	T&R	ROTARY SPEAKER	6	20			0	0			
DISTORTION											
	DST	AMP SIMULATOR 1	7	0			0	0			
	DST	AMP SIMULATOR 2	7	10			0	0			
	DST	COMP DISTORTION	7	20			0	0			
	DST	COMP DISTORTION DELAY	7	30			0	0			0
COMPRESSOR											
	CMP	VCM COMPRESSOR 376	8	0			0	0			0
	CMP	CLASSIC COMPRESSOR	8	10			0	0			
	CMP	MULTI BAND COMP	8	20			0	0			0
WAH											
	WAH	VCM AUTO WAH	0A	0			0	0			
	WAH	VCM TOUCH WAH	0A	10			0	0			
	WAH	VCM PEDAL WAH	0A	20			0	0			
LO-FI											
	L-F	LO-FI	0B	0			0	0			0
	L-F	NOISY	0B	10			0	0			
	L-F	DIGITAL TURNTABLE	0B	20			0	0			
TECH											
	TEC	RING MODULATOR	0C	0			0	0			0
	TEC	DYNAMIC RING MODULATOR	0C	10			0	0			
	TEC	DYNAMIC FILTER	0C	20			0	0			0
	TEC	AUTO SYNTH	0C	30			0	0			
	TEC	ISOLATOR	0C	40			0	0			0
	TEC	SLICE	0C	50			0	0			0
	TEC	TECH MODULATION	0C	60			0	0			
MISC											
	MSC	VCM EQ 501	0D	0			0	0			
	MSC	HARMONIC ENHANCER	0D	10			0	0			
	MSC	TALKING MODULATOR	0D	20			0	0			
	MSC	DAMPER RESONANCE	0D	30			0	0			
	MSC	PITCH CHANGE	0D	40			0	0			
	MSC	EARLY REFLECTION	0D	50		0	0	0			
	MSC	VOCODER	0D	60						0	

Effect Parameter List

Reverb Block

[0] No Effect

When this type is selected, no parameters are available.

[1] REV-X HALL

[4] REV-X ROOM

No.	Parameter	Range	Value	Table No.
1	Reverb Time	0.3s – 18.0s (HALL)/ 10.0s (ROOM)	(0 – 69)	25/26
2	Diffusion	0 – 10	(0 – 10)	
3	Initial Delay	0.1ms – 200.0ms	(0 – 127)	5
4	HPF Cutoff Frequency	20Hz – 8.0kHz	(0 – 52)	3
5	LPF Cutoff Frequency	1.0kHz – 20.0kHz	(34 – 60)	3
6	Room Size	0 – 31	(0 – 31)	
7	High Ratio	0.1 – 1.0	(1 – 10)	
8	Low Ratio	0.1 – 1.4	(1 – 14)	
9	Decay	0 – 63	(0 – 63)	
10	—			
11	—			
12	—			
13	—			
14	—			
15	—			
16	—			

REV-X HALL: (Table No.25)

REV-X ROOM: (Table No.26)

For details, refer to the Effect Data Assign Table.

[2] R3 HALL

[3] SPX HALL

[5] R3 ROOM

[6] SPX ROOM

[7] R3 PLATE

[8] SPX STAGE

No.	Parameter	Range	Value	Table No.
1	Reverb Time	0.3s – 30.0s	(0 – 69)	4
2	Diffusion	0 – 10	(0 – 10)	
3	Initial Delay	0.1ms – 200.0ms	(0 – 127)	5
4	HPF Cutoff Frequency	20Hz – 8.0kHz	(0 – 52)	3
5	LPF Cutoff Frequency	1.0kHz – 20.0kHz	(34 – 60)	3
6	—			
7	—			
8	—			
9	—			
10	—			
11	Reverb Delay	0.1ms – 200.0ms	(0 – 127)	5
12	Density	0 – 4	(0 – 4)	
13	ER/Rev Balance	E63>R – E=R – E<R63	(1 – 127)	
14	Feedback High Damp	0.1 – 1.0	(1 – 10)	
15	Feedback Level	-63 – +63	(1 – 127)	
16	—			

[9] SPACE SIMULATOR

No.	Parameter	Range	Value	Table No.
1	Reverb Time	0.3s – 30.0s	(0 – 69)	4
2	Diffusion	0 – 10	(0 – 10)	
3	Initial Delay	0.1ms – 200.0ms	(0 – 127)	5
4	HPF Cutoff Frequency	20Hz – 8.0kHz	(0 – 52)	3
5	LPF Cutoff Frequency	1.0kHz – 20.0kHz	(34 – 60)	3
6	Width	0.5m – 30.2m	(0 – 104)	11
7	Height	0.5m – 30.2m	(0 – 104)	11
8	Depth	0.5m – 30.2m	(0 – 104)	11
9	Wall Vary	0 – 30	(0 – 30)	
10	—			
11	Reverb Delay	0.1ms – 200.0ms	(0 – 127)	5
12	Density	0 – 4	(0 – 4)	
13	ER/Rev Balance	E63>R – E=R – E<R63	(1 – 127)	
14	Feedback High Damp	0.1 – 1.0	(1 – 10)	
15	Feedback Level	-63 – +63	(1 – 127)	
16	Space Type	0 – 1	(0 – 1)	

Chorus, Insertion Block

[0] THRU/No Effect

When this type is selected, no parameters are available.

Category - REVERB

[1] SPX HALL

[2] SPX ROOM

[3] SPX STAGE

No.	Parameter	Range	Value	Table No.
1	Reverb Time	0.3s – 30.0s	(0 – 69)	4
2	Diffusion	0 – 10	(0 – 10)	
3	Initial Delay	0.1ms – 99.3ms	(0 – 63)	5
4	HPF Cutoff Frequency	20Hz – 8.0kHz	(0 – 52)	3
5	LPF Cutoff Frequency	1.0kHz – 20.0kHz	(34 – 60)	3
6	—			
7	—			
8	—			
9	—			
10	Dry/Wet Balance	D63>W – D=W – D<W63	(1 – 127)	
11	Reverb Delay	0.1ms – 99.3ms	(0 – 63)	5
12	Density	0 – 4	(0 – 4)	
13	ER/Rev Balance	E63>R – E=R – E<R63	(1 – 127)	
14	Feedback High Damp	0.1 – 1.0	(1 – 10)	
15	Feedback Level	-63 – +63	(1 – 127)	
16	—			

Category - DELAY

[1] CROSS DELAY

No.	Parameter	Range	Value	Table No.
1	Delay Time L>R	0.1ms – 1638.3ms	(1 – 16383)	
2	Delay Time R>L	0.1ms – 1638.3ms	(1 – 16383)	
3	Feedback Level	-63 – +63	(1 – 127)	
4	Input Select	L, R, L&R	(0 – 2)	
5	Feedback High Damp	0.1 – 1.0	(1 – 10)	
6	—			
7	—			
8	—			
9	—			
10	Dry/Wet Balance	D63>W – D=W – D<W63	(1 – 127)	
11	—			
12	—			
13	EQ Low Frequency	32Hz – 2.0kHz	(4 – 40)	3
14	EQ Low Gain	-12dB – +12dB	(52 – 76)	
15	EQ High Frequency	500Hz – 16.0kHz	(28 – 58)	3
16	EQ High Gain	-12dB – +12dB	(52 – 76)	

[2] TEMPO CROSS DELAY

No.	Parameter	Range	Value	Table No.
1	Delay Time L>R	32nd/3 – 4thx6	(0 – 19)	14
2	Delay Time R>L	32nd/3 – 4thx6	(0 – 19)	14
3	Feedback Level	-63 – +63	(1 – 127)	
4	Input Select	L, R, L&R	(0 – 2)	
5	Feedback High Damp	0.1 – 1.0	(1 – 10)	
6	Lag	-63ms – +63ms	(1 – 127)	
7	—			
8	—			
9	—			
10	Dry/Wet Balance	D63>W – D=W – D<W63	(1 – 127)	
11	—			
12	—			

13 – 16: Same as the parameters shaded in gray in CROSS DELAY above.

[3] TEMPO DELAY MONO

No.	Parameter	Range	Value	Table No.
1	Delay Time	32nd/3 – 4thx6	(0 – 19)	14
2	Feedback Level	-63 – +63	(1 – 127)	
3	Feedback High Damp	0.1 – 1.0	(1 – 10)	
4	L/R Diffusion	-63ms – +63ms	(1 – 127)	
5	Lag	-63ms – +63ms	(1 – 127)	
6	—			
7	—			
8	—			
9	—			
10	Dry/Wet Balance	D63>W – D=W – D<W63	(1 – 127)	
11	—			
12	—			

13 – 16: Same as the parameters shaded in gray in CROSS DELAY above.

[4] TEMPO DELAY STEREO

No.	Parameter	Range	Value	Table No.
1	Delay Time	32nd/3 – 4thx6	(0 – 19)	14
2	Feedback Level	-63 – +63	(1 – 127)	
3	Feedback High Dump	0.1 – 1.0	(1 – 10)	
4	L/R Diffusion	-63ms – +63ms	(1 – 127)	
5	Lag	-63ms – +63ms	(1 – 127)	
6	—			
7	—			
8	—			
9	—			
10	Dry/Wet Balance	D63>W – D=W – D<W63	(1 – 127)	
11	—			
12	—			

13 – 16: Same as the parameters shaded in gray in CROSS DELAY on page 35.

[8] DELAY L, R (STEREO)

No.	Parameter	Range	Value	Table No.
1	Delay Time L	0.1ms – 1638.3ms	(1 – 16383)	
2	Delay Time R	0.1ms – 1638.3ms	(1 – 16383)	
3	Feedback Time L	0.1ms – 1638.3ms	(1 – 16383)	
4	Feedback Time R	0.1ms – 1638.3ms	(1 – 16383)	
5	Feedback Level	-63 – +63	(1 – 127)	
6	Feedback High Dump	0.1 – 1.0	(1 – 10)	
7	—			
8	—			
9	—			
10	Dry/Wet Balance	D63>W – D=W – D<W63	(1 – 127)	
11	—			
12	—			

13 – 16: Same as the parameters shaded in gray in CROSS DELAY on page 35.

[5] CONTROL DELAY

No.	Parameter	Range	Value	Table No.
1	Delay Time	0.1ms – 1486.0ms	(1 – 14860)	
2	Delay transition rate	1 – 48	(1 – 48)	
3	Feedback Level	-63 – +63	(1 – 127)	
4	Feedback High Dump	0.1 – 1.0	(1 – 10)	
5	—			
6 – 9	Same as the parameters shaded in gray in CROSS DELAY on page 35.			
10	Dry/Wet Balance	D63>W – D=W – D<W63	(1 – 127)	
11	Control Type	normal, scratch	(0 – 1)	
12	—			
13	—			
14	—			
15	—			
16	—			

Category - CHORUS

[1] G CHORUS

No.	Parameter	Range	Value	Table No.	
1	LFO Speed	0.0Hz – 39.70Hz	(0 – 127)	1	
2	—				
3	PM Depth	0 – 127	(0 – 127)	2	
4	Feedback Level	-63 – +63	(1 – 127)		
5	Delay Offset	0.0ms – 50.0ms	(0 – 127)		
6 – 9	Same as the parameters shaded in gray in CROSS DELAY on page 35.				
10	Dry / Wet Balance	D63>W – D=W – D<W63	(1 – 127)		3
11	EQ Mid Frequency	100Hz – 10.0kHz	(14 – 54)		
12	EQ Mid Gain	-12dB – +12dB	(52 – 76)		
13	EQ Mid Width	0.1 – 12.0	(1 – 120)		
14	—				
15	Input Mode	mono, stereo	(0 – 1)		
16	—				

[6] DELAY L, R

No.	Parameter	Range	Value	Table No.
1	Delay Time L	0.1ms – 1638.3ms	(1 – 16383)	
2	Delay Time R	0.1ms – 1638.3ms	(1 – 16383)	
3	Feedback Time 1	0.1ms – 1638.3ms	(1 – 16383)	
4	Feedback Time 2	0.1ms – 1638.3ms	(1 – 16383)	
5	Feedback Level	-63 – +63	(1 – 127)	
6	Feedback High Dump	0.1 – 1.0	(1 – 10)	
7	—			
8	—			
9	—			
10	Dry/Wet Balance	D63>W – D=W – D<W63	(1 – 127)	
11	—			
12	—			

13 – 16: Same as the parameters shaded in gray in CROSS DELAY on page 35.

[2] 2 MODULATOR

No.	Parameter	Range	Value	Table No.	
1	LFO Speed	0.0Hz – 39.70Hz	(0 – 127)	1	
2	AM Depth	0 – 127	(0 – 127)		
3	PM Depth	0 – 127	(0 – 127)	2	
4	Feedback Level	-63 – +63	(1 – 127)		
5	Delay Offset	0.0ms – 50.0ms	(0 – 127)		
6 – 9	Same as the parameters shaded in gray in CROSS DELAY on page 35.				
10	Dry / Wet Balance	D63>W – D=W – D<W63	(1 – 127)		3
11	EQ Mid Frequency	100Hz – 10.0kHz	(14 – 54)		
12	EQ Mid Gain	-12dB – +12dB	(52 – 76)		
13	EQ Mid Width	0.1 – 12.0	(1 – 120)		
14	—				
15	Input Mode	mono, stereo	(0 – 1)		
16	—				

[7] DELAY L, C, R

No.	Parameter	Range	Value	Table No.
1	Delay Time L	0.1ms_1638.3ms	(1 – 16383)	
2	Delay Time R	0.1ms_1638.3ms	(1 – 16383)	
3	Delay Time C	0.1ms_1638.3ms	(1 – 16383)	
4	Feedback Time	0.1ms_1638.3ms	(1 – 16383)	
5	Feedback Level	-63_+63	(1 – 127)	
6	Delay Level C	0_127	(0 – 127)	
7	Feedback High Dump	0.1_1.0	(1 – 10)	
8	—			
9	—			
10	Dry/Wet Balance	D63>W _ D=W _ D<W63	(1 – 127)	
11	—			
12	—			

13 – 16: Same as the parameters shaded in gray in CROSS DELAY on page 35.

[3] SPX CHORUS

No.	Parameter	Range	Value	Table No.	
1	LFO Speed	0.0Hz – 39.70Hz	(0 – 127)	1	
2	LFO Depth	0 – 127	(0 – 127)		
3	Feedback Level	-63 – +63	(1 – 127)	2	
4	Delay Offset	0.0ms – 50.0ms	(0 – 127)		
5	—				
6 – 9	Same as the parameters shaded in gray in CROSS DELAY on page 35.				
10	Dry/Wet Balance	D63>W – D=W – D<W63	(1 – 127)		3
11	EQ Mid Frequency	100Hz – 10.0kHz	(14 – 54)		
12	EQ Mid Gain	-12dB – +12dB	(52 – 76)		
13	EQ Mid Width	0.1 – 12.0	(1 – 120)		
14	—				
15	Input Mode	mono, stereo	(0 – 1)		
16	—				

[4] SYMPHONIC

No.	Parameter	Range	Value	Table No.
1	LFO Speed	0.0Hz – 39.70Hz	(0 – 127)	1
2	LFO Depth	0 – 127	(0 – 127)	
3	Delay Offset	0.0ms – 50.0ms	(0 – 127)	
4	—			
5	—			
6 – 9: Same as the parameters shaded in gray in CROSS DELAY on page 35.				
10	Dry/Wet Balance	D63>W – D=W – D<W63	(1 – 127)	3
11	EQ Mid Frequency	100Hz – 10.0kHz	(14 – 54)	
12	EQ Mid Gain	-12dB – +12dB	(52 – 76)	
13	EQ Mid Width	0.1 – 12.0	(1 – 120)	
14	—			
15	—			
16	—			

[3] TEMPO FLANGER

No.	Parameter	Range	Value	Table No.
1	LFO Speed	16th – 4thx16	(5 – 29)	14
2	LFO Depth	0 – 127	(0 – 127)	
3	Feedback Level	-63 – +63	(1 – 127)	
4	Delay Offset	0.0ms – 50.0ms	(0 – 127)	
5	LFO Phase Reset	off (free run), Key On Reset, SEQ Start Reset	(0 – 2)	
6 – 9: Same as the parameters shaded in gray in CROSS DELAY on page 35.				
10	Dry/Wet Balance	D63>W – D=W – D<W63	(1 – 127)	3
11	EQ Mid Frequency	100Hz – 10.0kHz	(14 – 54)	
12	EQ Mid Gain	-12dB – +12dB	(52 – 76)	
13	EQ Mid Width	0.1 – 12.0	(1 – 120)	
14	LFO Phase Difference	-180deg – +180deg	(4 – 124)	
15	—			
16	—			

[5] ENSEMBLE DETUNE

No.	Parameter	Range	Value	Table No.	
1	Detune	-50cent – +50cent	(14 – 114)	2	
2	Initial Delay Lch	0.0ms – 50.0ms	(0 – 127)		
3	Initial Delay Rch	0.0ms – 50.0ms	(0 – 127)		
4	Spread	0 – 63	(0 – 63)		
5	—				
6	—				
7	—				
8	—				
9	—				
10	Dry/Wet Balance	D63>W – D=W – D<W63	(1 – 127)	3	
11 – 14: Same as the parameters shaded in gray in CROSS DELAY on page 35.					
15	—				
16	—				

[4] DYNAMIC FLANGER

No.	Parameter	Range	Value	Table No.
1	Sensitivity	0 – 127	(0 – 127)	17
2	Delay Offset	0 – 127	(0 – 127)	
3	Feedback Level	-63 – +63	(1 – 127)	
4	Attack Time	0.3ms – 227ms	(0 – 127)	
5	Release Time	2.6ms – 2171ms	(0 – 127)	
6	Release Curve	0 – 127	(0 – 127)	18
7	Direction	up, down	(0 – 1)	
8	Dyna Threshold Level	0 – 127	(0 – 127)	
9	Dyna Level Offset	0 – 127	(0 – 127)	
10	Dry/Wet Balance	D63>W – D=W – D<W63	(1 – 127)	
11	—			
12	—			
13 – 16: Same as the parameters shaded in gray in CROSS DELAY on page 35.				

Category - FLANGER

[1] VCM FLANGER

No.	Parameter	Range	Value	Table No.
1	Speed	0.040Hz – 10.00Hz	(0 – 235)	22
2	Manual	0 – 127	(0 – 127)	
3	Depth	0 – 127	(0 – 127)	
4	Feedback	0 – 127	(0 – 127)	
5	Type	1 – 3	(0 – 2)	
6	Spread	0 – 127	(0 – 127)	
7	Mix	0 – 127	(0 – 127)	
8	—			
9	—			
10	—			
11	—			
12	—			
13	—			
14	—			
15	—			
16	—			

Category - PHASER

[1] VCM PHASER MONO

No.	Parameter	Range	Value	Table No.
1	Speed	0.100Hz – 10.00Hz	(0 – 252)	23
2	Manual	0 – 127	(0 – 127)	
3	Depth	0 – 127	(0 – 127)	
4	Feedback	0 – 127	(0 – 127)	
5	Stage	4, 6, 8, 10, 12, 16	(0 – 5)	
6	Mode	1, 2, 3	(0 – 2)	
7	Color	0 – 127	(0 – 127)	
8	—			
9	—			
10	—			
11	—			
12	—			
13	—			
14	—			
15	—			
16	—			

The Color parameter is not available in the following conditions: When Mode is set to 1 and Stage is set to 4, 6, 8, 12 or 16; or when Mode is set to 2 and Stage is set to 4 or 10.

[2] CLASSIC FLANGER

No.	Parameter	Range	Value	Table No.
1	LFO Speed	0.0Hz – 39.70Hz	(0 – 127)	1
2	LFO Depth	0 – 127	(0 – 127)	
3	LFO Wave	Triangle, Sine, Random	(0 – 2)	
4	Delay Offset	0.09 – 36.21ms	(0 – 139)	
5	Feedback Level	-100 – +100%	(0 – 200)	
6 – 9: Same as the parameters shaded in gray in CROSS DELAY on page 35.				
10	Dry/Wet Balance	D63>W – D=W – D<W63	(1 – 127)	3
11	EQ Mid Frequency	100Hz – 10.0kHz	(14 – 54)	
12	EQ Mid Gain	-12dB – +12dB	(52 – 76)	
13	EQ Mid Width	0.1 – 12.0	(1 – 120)	
14	Modulation Phase	-180 – +180	(0 – 16)	
15	Feedback High Damp	0.1 – 1.0	(1 – 10)	21
16	Analog Feel	0 – 10	(0 – 10)	

[2] VCM PHASER STEREO

No.	Parameter	Range	Value	Table No.
1	Speed	0.100Hz – 10.00Hz	(0 – 252)	23
2	Manual	0 – 127	(0 – 127)	
3	Depth	0 – 127	(0 – 127)	
4	Feedback	0 – 127	(0 – 127)	
5	Stage	4, 6, 8, 10	(0 – 3)	
6	Mode	1, 2	(0 – 1)	
7	Color	0 – 127	(0 – 127)	
8	Spread	0 – 127	(0 – 127)	
9	—			
10	—			
11	—			
12	—			
13	—			
14	—			
15	—			
16	—			

The Color parameter is not available in the following conditions: When Mode is set to 1 and Stage is set to 4, 6, 8; or when Mode is set to 2 and Stage is set to 4 or 10.

[3] TEMPO PHASER

No.	Parameter	Range	Value	Table No.
1	LFO Speed	16th – 4thx16	(5 – 29)	14
2	LFO Depth	0 – 127	(0 – 127)	
3	Phase Shift Offset	0 – 127	(0 – 127)	
4	Feedback Level	-63 – +63	(1 – 127)	
5	LFO Phase Reset	off (free run), Key On Reset, SEQ Start Reset	(0 – 2)	
6 – 9: Same as the parameters shaded in gray in CROSS DELAY on page 35.				
10	Dry/Wet Balance	D63>W – D=W – D<W63	(1 – 127)	14
11	Stage	4 – 22	(4 – 22)	
12	Diffusion	mono, stereo	(0 – 1)	
13	—			
14	—			
15	—			
16	—			

[4] DYNAMIC PHASER

No.	Parameter	Range	Value	Table No.
1	Sensitivity	0 – 127	(0 – 127)	17
2	Dyna Level Offset	0 – 127	(0 – 127)	
3	Feedback Level	-63 – +63	(1 – 127)	
4	Attack Time	0.3ms – 227ms	(0 – 127)	
5	Release Time	2.6ms – 2171ms	(0 – 127)	
6	Release Curve	0 – 127	(0 – 127)	
7	Direction	up, down	(0 – 1)	
8	Dyna Threshold Level	0 – 127	(0 – 127)	
9	—			
10	Dry/Wet Balance	D63>W – D=W – D<W63	(1 – 127)	
11	Stage	4, 5, 6	(4 – 6)	
12	—			
13 – 16: Same as the parameters shaded in gray in CROSS DELAY on page 35.				

Category - TREMOLO&ROTARY

[1] AUTO PAN

No.	Parameter	Range	Value	Table No.
1	LFO Speed	0.0Hz – 39.70Hz	(0 – 127)	1
2	L/R Depth	0 – 127	(0 – 127)	
3	F/R Depth	0 – 127	(0 – 127)	
4	PAN Direction	L<>R, L>>R, L<<R, Lturn, Rturn, L/R	(0 – 5)	
5	LFO Wave	0 – 28	(0 – 28)	
6 – 9: Same as the parameters shaded in gray in CROSS DELAY on page 35.				
10	—			3
11	EQ Mid Frequency	100Hz – 10.0kHz	(14 – 54)	
12	EQ Mid Gain	-12dB – +12dB	(52 – 76)	
13	EQ Mid Width	0.1 – 12.0	(1 – 120)	
14	—			
15	Input Mode	mono, stereo	(0 – 1)	
16	—			

[2] TREMOLO

No.	Parameter	Range	Value	Table No.
1	LFO Speed	0.0Hz – 39.70Hz	(0 – 127)	1
2	AM Depth	0 – 127	(0 – 127)	
3	PM Depth	0 – 127	(0 – 127)	
4	—			
5	—			
6 – 9: Same as the parameters shaded in gray in CROSS DELAY on page 35.				
10	—			3
11	EQ Mid Frequency	100Hz – 10.0kHz	(14 – 54)	
12	EQ Mid Gain	-12dB – +12dB	(52 – 76)	
13	EQ Mid Width	0.1 – 12.0	(1 – 120)	
14	LFO Phase difference	-180deg – +180deg	(4 – 124)	
15	Input Mode	mono, stereo	(0 – 1)	
16	—			

[3] ROTARY SPEAKER

No.	Parameter	Range	Value	Table No.
1	Rotor Speed Slow	0.0Hz – 2.65Hz	(0 – 63)	1
2	Horn Speed Slow	0.0Hz – 2.65Hz	(0 – 63)	
3	Rotor Speed Fast	0.0Hz – 39.70Hz	(64 – 127)	
4	Horn Speed Fast	0.0Hz – 39.70Hz	(64 – 127)	
5	Slow-Fast Time of R	0 – 127	(0 – 127)	
6	Slow-Fast Time of H	0 – 127	(0 – 127)	
7	Drive Rotor	0 – 127	(0 – 127)	
8	Drive Horn	0 – 127	(0 – 127)	
9	Rotor/Horn Balance	L63>H – L=H – L<H63	(1 – 127)	
10	—			
11 – 14: Same as the parameters shaded in gray in CROSS DELAY on page 35.				
15	Mic L-R Angle	0deg – 180deg	(0 – 60)	1
16	Speed Control	Slow, Fast	(0 – 1)	

Category - DISTORTION

[1] AMP SIMULATOR 1

No.	Parameter	Range	Value	Table No.
1	Overdrive	0 _ 100%	(0 – 100)	1
2	Device	Transistor, Vintage Tube, Distortion 1, Distortion 2, Fuzz	(0 – 4)	
3	Speaker Type	Flat, Stack, Combo, Twin, Radio, Megaphone	(0 – 5)	
4	Presence	-10 _ 10	(0 – 20)	
5	Output Level	0 _ 100%	(0 – 100)	
6	—			
7	—			
8	—			
9	—			
10	Dry/Wet Balance	D63>W _ D=W _ D<W63	(1 – 127)	
11	—			
12	—			
13	—			
14	—			
15	—			
16	—			

[2] AMP SIMULATOR 2

No.	Parameter	Range	Value	Table No.
1	Overdrive	0 – 127	(0 – 127)	3
2	AMP Type	off, Stack, Combo, Tube, Crunch, Hi Gain, British	(0 – 6)	
3	LPF Cutoff Frequency	1.0kHz – 20.0kHz	(34 – 60)	
4	Output Level	0 – 127	(0 – 127)	
5	—			
6	—			
7	—			
8	—			
9	—			
10	Dry/Wet Balance	D63>W – D=W – D<W63	(1 – 127)	
11	—			
12	—			
13	—			
14	—			
15	—			
16	—			

[3] COMP DISTORTION

No.	Parameter	Range	Value	Table No.
1	Overdrive	0 – 127	(0 – 127)	3
2	EQ Low Frequency	32Hz – 2.0kHz	(4 – 40)	
3	EQ Low Gain	-12dB – +12dB	(52 – 76)	
4	LPF Cutoff Frequency	1.0kHz – 20.0kHz	(34 – 60)	
5	Output Level	0 – 127	(0 – 127)	
6	—			
7	EQ Mid Frequency	100Hz – 10.0kHz	(14 – 54)	
8	EQ Mid Gain	-12dB – +12dB	(52 – 76)	
9	EQ Mid Width	0.1 – 12.0	(1 – 120)	
10	Dry / Wet Balance	D63>W – D=W – D<W63	(1 – 127)	
11	Edge	0 – 127	(0 – 127)	
12	Attack	1ms – 40ms	(0 – 19)	
13	Release	10ms – 680ms	(0 – 15)	
14	Threshold	-48dB – -6dB	(79 – 121)	
15	Ratio	1 – 20.0	(0 – 7)	
16	—			

[3] COMP DISTORTION DELAY

No.	Parameter	Range	Value	Table No.
1	Overdrive	0 – 100%	(0 – 100)	
2	Device	Transistor, Vintage Tube, Distortion 1, Distortion 2, Fuzz	(0 – 4)	
3	Speaker Type	Flat, Stack, Combo, Twin, Radio, Megaphone	(0 – 5)	
4	Presence	-10 – 10	(0 – 20)	
5	Output Level	0 – 100%	(0 – 100)	
6	Delay Time L	0.1ms – 1638.3ms	(1 – 16383)	
7	Delay Time R	0.1ms – 1638.3ms	(1 – 16383)	
8	Feedback Time	0.1ms – 1638.3ms	(1 – 16383)	
9	Feedback Level	-63 – +63	(1 – 127)	
10	Dry/Wet Balance	D63>W – D=W – D<W63	(1 – 127)	
11	Delay Mix	0 – 127	(0 – 127)	
12	Feedback High Damp	0.1 – 1.0	(1 – 10)	
13	Compress	-48dB – -6dB	(79 – 121)	
14	—			
15	—			
16	—			

Category - COMPRESSOR

[1] VCM COMPRESSOR 376

No.	Parameter	Range	Value	Table No.
1	Input Level	-∞ – 0.00dB	(0 – 200)	27
2	Output Level	-∞ – 0.00dB	(0 – 200)	27
3	Ratio	2, 4, 8, 12, 20	(0 – 4)	
4	Attack	0.022ms – 50.40ms	(0 – 200)	28
5	Release	10.88ms – 544.22ms	(0 – 200)	29
6	Meter	OUT, GR	(0 – 1)	
7	—			
8	—			
9	—			
10	—			
11	—			
12	—			
13	—			
14	—			
15	—			
16	—			

[2] CLASSIC COMPRESSOR

No.	Parameter	Range	Value	Table No.
1	Attack	1ms – 40ms	(0 – 19)	8
2	Release	10ms – 680ms	(0 – 15)	9
3	Threshold	-48dB – -6dB	(79 – 121)	
4	Ratio	1 – 20.0	(0 – 7)	10
5	Output Level	0 – 127	(0 – 127)	
6	—			
7	—			
8	—			
9	—			
10	—			
11	—			
12	—			
13	—			
14	—			
15	—			
16	—			

[3] MULTI BAND COMP

No.	Parameter	Range	Value	Table No.
1	Low Attack	1ms – 200ms	(0 – 29)	8
2	Low Threshold	-54dB – -6dB	(73 – 121)	
3	Low Ratio	1 – 20.0	(0 – 7)	10
4	Low Gain	-∞ – +18dB	(0 – 55)	15
5	Mid Attack	1ms – 200ms	(0 – 29)	8
6	Mid Threshold	-54dB – -6dB	(73 – 121)	
7	Mid Ratio	1 – 20.0	(0 – 7)	10
8	Mid Gain	-∞ – +18dB	(0 – 55)	15
9	High Attack	1ms – 200ms	(0 – 29)	8
10	High Threshold	-54dB – -6dB	(73 – 121)	
11	High Ratio	1 – 20.0	(0 – 7)	10
12	High Gain	-∞ – +18dB	(0 – 55)	15
13	Divide Freq Low	16Hz – 20kHz	(0 – 124)	31
14	Divide Freq High	16Hz – 20kHz	(0 – 124)	31
15	Common Release	10msec – 3000msec	(0 – 23)	9
16	—			

Category - WAH

[1] VCM AUTO WAH

No.	Parameter	Range	Value	Table No.
1	Speed	0.100Hz – 20.00Hz	(0 – 254)	24
2	Bottom	0 – 127	(0 – 127)	
3	Top	0 – 127	(0 – 127)	
4	Resonance Offset	-12.0 – +12.0	(40 – 88)	
5	LFO Wave	Sin, Trp	(0 – 1)	
6	Type	High, Mid, Low, Bass	(0 – 3)	
7	Overdrive	0.0dB – +40.0dB	(0 – 80)	
8	Output	-20.0dB – +10.0dB	(24 – 84)	
9	—			
10	—			
11	—			
12	—			
13	—			
14	—			
15	—			
16	—			

When the value of Bottom is greater than Top, the sound will not be modulated and only the Bottom value is available.

[2] VCM TOUCH WAH

No.	Parameter	Range	Value	Table No.
1	Sensitivity	0 – 127	(0 – 127)	
2	Bottom	0 – 127	(0 – 127)	
3	Top	0 – 127	(0 – 127)	
4	Resonance Offset	-12.0 – +12.0	(40 – 88)	
5	Direction	up, down	(0 – 1)	
6	Type	High, Mid, Low, Bass	(0 – 3)	
7	Overdrive	0.0dB – +40.0dB	(0 – 80)	
8	Output	-20.0dB – +10.0dB	(24 – 84)	
9	—			
10	—			
11	Attack Offset	-5 – +5	(59 – 69)	
12	—			
13	—			
14	—			
15	—			
16	—			

When the value of Bottom is greater than Top, the sound will not be modulated and only the Bottom value is available.

[3] VCM PEDAL WAH

No.	Parameter	Range	Value	Table No.
1	Pedal Control	0 – 127	(0 – 127)	
2	Bottom	0 – 127	(0 – 127)	
3	Top	0 – 127	(0 – 127)	
4	Resonance Offset	-12.0 – +12.0	(40 – 88)	
5	Direction	up, down	(0 – 1)	
6	Type	High, Mid, Low, Bass	(0 – 3)	
7	Overdrive	0.0dB – +40.0dB	(0 – 80)	
8	Output	-20.0dB – +10.0dB	(24 – 84)	
9	—			
10	—			
11	—			
12	—			
13	—			
14	—			
15	—			
16	—			

When the value of Bottom is greater than Top, the sound will not be modulated and only the Bottom value is available.

Category - Lo-Fi

[1] LO-FI

No.	Parameter	Range	Value	Table No.
1	Sampling Freq. Control	44.1 – 344Hz	(0 – 127)	13
2	Word Length	1 – 127	(1 – 127)	
3	Output Gain	-6dB – +36dB	(0 – 42)	
4	Pre-LPF Cutoff Frequency	63Hz – 20.0kHz	(10 – 60)	
5	Filter Type	thru, Power Bass, Radio, Telephone, Clean, Low	(0 – 5)	
6	Pre-LPF Resonance	1 – 12.0	(10 – 120)	
7	Bit Assign	0 – 6	(0 – 6)	
8	Emphasis	off/on	(0 – 1)	
9	—	—	—	
10	Dry/Wet Balance	D63>W – D=W – D<W63	(1 – 127)	
11	—	—	—	
12	—	—	—	
13	—	—	—	
14	—	—	—	
15	Input Mode	mono, stereo	(0 – 1)	
16	—	—	—	

[2] NOISY

No.	Parameter	Range	Value	Table No.
1	Mod Depth	0 – 10	(0 – 10)	1
2	Mod Speed	0 – 127	(0 – 127)	
3	Mod Feedback	-63 – +63	(1 – 127)	
4	Mod Mix Balance	1 – 127	(1 – 127)	
5	Overdrive	0 – 127	(0 – 127)	
6	AM Speed	0.00Hz – 39.7Hz	(0 – 127)	
7	AM Depth	0 – 127	(0 – 127)	
8	LPF Cutoff Frequency	1.0kHz – 20.0kHz	(34 – 60)	
9	LPF Resonance	1.0 – 12.0	(10 – 120)	
10	Dry/Wet Balance	D63>W – D=W – D<W63	(1 – 127)	
11	EQ Frequency	100Hz – 10.0kHz	(14 – 54)	
12	EQ Gain	-12 – +12dB	(52 – 76)	
13	EQ Width	1.0 – 12.0	(10 – 120)	
14	—	—	—	
15	—	—	—	
16	—	—	—	

[3] DIGITAL TURNTABLE

No.	Parameter	Range	Value	Table No.
1	Click Density	0 – 5	(0 – 5)	1
2	Click Level	0 – 127	(0 – 127)	
3	Noise Tone	0 – 6	(0 – 6)	
4	Noise Mod Speed	0.00Hz – 39.7Hz	(0 – 127)	
5	Noise Mod Depth	0 – 127	(0 – 127)	
6	Dry Send to Noise	0 – 127	(0 – 127)	
7	Noise LPF Cutoff Frequency	1.0kHz – 20.0kHz	(34 – 60)	
8	Noise LPF Q	1.0 – 12.0	(10 – 120)	
9	Noise Level	0 – 127	(0 – 127)	
10	—	—	—	
11	Dry Level	0 – 127	(0 – 127)	
12	Dry LPF Cutoff Frequency	1.0kHz – 20.0kHz	(34 – 60)	
13	—	—	—	
14	—	—	—	
15	—	—	—	
16	—	—	—	

Category - TEC

[1] RING MODULATOR

No.	Parameter	Range	Value	Table No.
1	OSC Frequency Coarse	0.5 – 5kHz	(0 – 127)	19
2	OSC Frequency Fine	0 – 127	(0 – 127)	
3	LFO Wave	tri, sine	(0 – 1)	
4	LFO Depth	0 – 127	(0 – 127)	
5	LFO Speed	0.0Hz – 39.70Hz	(0 – 127)	
6	HPF Cutoff Frequency	20Hz – 8.0kHz	(0 – 52)	
7	LPF Cutoff Frequency	1.0kHz – 20.0kHz	(34 – 60)	
8	—	—	—	
9	—	—	—	
10	Dry/Wet Balance	D63>W – D=W – D<W63	(1 – 127)	
11	—	—	—	
12	—	—	—	
13	—	—	—	
14	—	—	—	

13 – 16: Same as the parameters shaded in gray in CROSS DELAY on page 35.

[2] DYNAMIC RING MODULATOR

No.	Parameter	Range	Value	Table No.
1	Sensitivity	0 – 127	(0 – 127)	3
2	HPF Cutoff Frequency	20Hz – 8.0kHz	(0 – 52)	
3	LPF Cutoff Frequency	1.0kHz – 20.0kHz	(34 – 60)	
4	Attack Time	0.3ms – 227ms	(0 – 127)	
5	Release Time	2.6ms – 2171ms	(0 – 127)	
6	Release Curve	0 – 127	(0 – 127)	
7	Direction	up, down	(0 – 1)	
8	Dyna Threshold Level	0 – 127	(0 – 127)	
9	Dyna Level Offset	0 – 127	(0 – 127)	
10	Dry/Wet Balance	D63>W – D=W – D<W63	(1 – 127)	
11	—	—	—	
12	—	—	—	
13	—	—	—	
14	—	—	—	

13 – 16: Same as the parameters shaded in gray in CROSS DELAY on page 35.

[3] DYNAMIC FILTER

No.	Parameter	Range	Value	Table No.
1	Filter Type	LPF (12dB), LPF (18dB), LPF (24dB), HPF, BPF, BEF	(0 – 5)	17
2	Sensitivity	0 – 127	(0 – 127)	
3	Dyna Level Offset	0 – 127	(0 – 127)	
4	Resonance	-16 – +111	(0 – 127)	
5	Attack Time	0.3ms – 227ms	(0 – 127)	
6	Release Time	2.6ms – 2171ms	(0 – 127)	
7	Release Curve	0 – 127	(0 – 127)	
8	Direction	up, down	(0 – 1)	
9	Dyna Threshold Level	0 – 127	(0 – 127)	
10	Dry/Wet Balance	D63>W – D=W – D<W63	(1 – 127)	
11	—	—	—	
12	—	—	—	
13	—	—	—	
14	—	—	—	

13 – 16: Same as the parameters shaded in gray in CROSS DELAY on page 35.

[4] AUTO SYNTH

No.	Parameter	Range	Value	Table No.
1	Mod Speed	0 – 127	(0 – 127)	3
2	Mod Wave Type	Type A, Type B, Type C, Type D	(0 – 3)	
3	Mod Depth	0 – 127	(0 – 127)	
4	Mod Depth Ofst R	-63 – +63	(1 – 127)	
5	HPF Cutoff Frequency	20Hz – 8.0kHz	(0 – 52)	
6	LPF Cutoff Frequency	1.0kHz – 20.0kHz	(34 – 60)	
7	Delay Time	0.1 – 370.0ms	(1 – 3700)	
8	Delay Time Ofst R	0 – 884	(0 – 884)	
9	Delay Level	0 – 127	(0 – 127)	
10	Dry Mix Level	0 – 127	(0 – 127)	
11	Feedback Level	-63 – +63	(1 – 127)	
12	FB Level Ofst R	-63 – +63	(1 – 127)	
13	AM Speed	0.00Hz – 39.7Hz	(0 – 127)	
14	AM Wave	tri, sine, saw up, saw down	(0 – 3)	
15	AM Depth	0 – 127	(0 – 127)	
16	AM Inverse R	normal, inverse	(0 – 1)	

[5] ISOLATOR

No.	Parameter	Range	Value	Table No.
1	On/off Switch	on, off	(0 – 1)	3
2	Low Level	-64 – +63	(0 – 127)	
3	Mid Level	-64 – +63	(0 – 127)	
4	High Level	-64 – +63	(0 – 127)	
5	Low Mute	off/on	(0 – 1)	
6	Mid Mute	off/on	(0 – 1)	
7	High Mute	off/on	(0 – 1)	
8	—	—	—	
9	—	—	—	
10	—	—	—	
11	—	—	—	
12	—	—	—	
13	—	—	—	
14	—	—	—	
15	—	—	—	
16	—	—	—	

[6] SLICE

No.	Parameter	Range	Value	Table No.
1	Divide Type	16th – 4th	(5 – 11)	14
2	Gate Time	0 – 100%	(0 – 100)	
3	Pan AEG Type	A – E	(0 – 4)	
4	Pan AEG Min Level	0 – 127	(0 – 127)	
5	Pan Depth	-63 – +63	(1 – 127)	
6	Divide Min Level	0 – 127	(0 – 127)	
7	Pan Type	A – J	(0 – 9)	
8	Overdrive	0 – 127	(0 – 127)	
9	AEG Phase	0 – 15 (x 16th note)	(0 – 15)	
10	Dry/Wet Balance	D63>W – D=W – D<W63	(1 – 127)	
11	—	—	—	
12	—	—	—	

13 – 16: Same as the parameters shaded in gray in CROSS DELAY on page 35.

[7] TECH MODULATION

No.	Parameter	Range	Value	Table No.
1	Mod Speed	0 – 127	(0 – 127)	3
2	Mod Depth	0 – 127	(0 – 127)	
3	Mod Gain	-12 – +12dB	(52 – 76)	
4	Mod Mix Balance	D63>W – D=W – D<W63	(1 – 127)	
5	Pre Mod HPF Cutoff Frequency	20Hz – 8.0kHz	(0 – 52)	
6	Mod LPF Cutoff Frequency	1.0kHz – 20.0kHz	(34 – 60)	
7	Mod LPF Resonance	1.0 – 12.0	(10 – 120)	
8	Delay Time	0.1 – 740.0ms	(1 – 7400)	
9	Delay Time Ofst R	0 – 884	(0 – 884)	
10	Dry/Wet Balance	D63>W – D=W – D<W63	(1 – 127)	
11	Feedback Level	-63 – +63	(1 – 127)	
12	FB Level Ofst R	-63 – +63	(1 – 127)	
13	Feedback Hi Damp	0.1 – 1.0	(1 – 10)	
14	FB Hi Damp Ofst R	-0.9 – +0.9	(1 – 19)	
15	—	—	—	
16	—	—	—	

Category - MISC

[1] VCM EQ 501

No.	Parameter	Range	Value	Table No.
1	EQ1 (LSH) Frequency	31.5Hz – 2.0kHz	(12 – 84)	30
2	EQ1 (LSH) Gain	-12.0dB – +12.0dB	(60 – 300)	
3	EQ2 Q	0.50 – 16.00	(0 – 60)	
4	EQ2 Frequency	50.0 Hz – 20.0kHz	(20 – 124)	
5	EQ2 Gain	-18.0dB – +18.0dB	(0 – 360)	
6	EQ3 Q	0.50 – 16.00	(0 – 60)	
7	EQ3 Frequency	50.0 Hz – 20.0kHz	(20 – 124)	
8	EQ3 Gain	-18.0dB – +18.0dB	(0 – 360)	
9	EQ4 Q	0.50 – 16.00	(0 – 60)	
10	EQ4 Frequency	50.0 Hz – 20.0kHz	(20 – 124)	
11	EQ4 Gain	-18.0dB – +18.0dB	(0 – 360)	
12	EQ5 (HSH) Frequency	500Hz – 20.0kHz	(60 – 124)	
13	EQ5 (HSH) Gain	-12.0dB – +12.0dB	(60 – 300)	
14	Output Level	-12.0dB – +12.0dB	(60 – 300)	
15	—	—	—	
16	—	—	—	

[2] HARMONIC ENHANCER

No.	Parameter	Range	Value	Table No.
1	HPF Cutoff Frequency	500Hz – 16.0kHz	(28 – 58)	3
2	Overdrive	0 – 127	(0 – 127)	
3	Mix Level	0 – 127	(0 – 127)	
4	—	—	—	
5	—	—	—	
6	—	—	—	
7	—	—	—	
8	—	—	—	
9	—	—	—	
10	—	—	—	
11	—	—	—	
12	—	—	—	
13	—	—	—	
14	—	—	—	
15	—	—	—	
16	—	—	—	

[3] Talking Modulator

No.	Parameter	Range	Value	Table No.
1	Vowel	a/i/u/e/o	(0 – 4)	—
2	Move Speed	1 – 62	(1 – 62)	
3	Overdrive	0 – 127	(0 – 127)	
4	Output Level	0 – 127	(0 – 127)	
5	—	—	—	
6	—	—	—	
7	—	—	—	
8	—	—	—	
9	—	—	—	
10	—	—	—	
11	—	—	—	
12	—	—	—	
13	—	—	—	
14	—	—	—	
15	—	—	—	
16	—	—	—	

[4] DAMPER RESONANCE

No.	Parameter	Range	Value	Table No.
1	HPF Cutoff Frequency	20Hz – 8.0kHz	(0 – 52)	3
2	LPF Cutoff Frequency	1.0kHz – 20.0kHz	(34 – 60)	
3	EQ Low Frequency	32Hz – 2.0kHz	(4 – 40)	
4	EQ Low Gain	-12 – +12dB	(52 – 76)	
5	Hi Resonance	0.1 – 1.0	(1 – 10)	
6	Pedal Response	slow/normal/fast	(0 – 2)	
7	—	—	—	
8	—	—	—	
9	—	—	—	
10	Dry/Wet Balance	D63>W – D=W – D<W63	(1 – 127)	
11	—	—	—	
12	—	—	—	
13	—	—	—	
14	—	—	—	
15	—	—	—	
16	Damper Control	0 – 127	(0 – 127)	

[5] PITCH CHANGE

No.	Parameter	Range	Value	Table No.
1	Pitch 1	-24 – +24	(40 – 88)	7
2	Fine 1	-50 – +50	(14 – 114)	
3	Initial Delay 1	0.1ms – 400.0ms	(0 – 127)	
4	Feedback Level 1	-63 – +63	(1 – 127)	
5	Pitch 2	-24 – +24	(40 – 88)	
6	Fine 2	-50 – +50	(14 – 114)	
7	Initial Delay 2	0.1ms – 400.0ms	(0 – 127)	
8	Feedback Level 2	-63 – +63	(1 – 127)	
9	—	—	—	
10	Dry/Wet Balance	D63>W – D=W – D<W63	(1 – 127)	
11	Pan 1	L63 – C – R63	(1 – 127)	
12	Output Level 1	0 – 127	(0 – 127)	
13	Pan 2	L63 – C – R63	(1 – 127)	
14	Output Level 2	0 – 127	(0 – 127)	
15	—	—	—	
16	—	—	—	

[6] EARLY REFLECTION

No.	Parameter	Range	Value	Table No.
1	Type	S-hall, L-hall, random, reverse, plate, spring	(0 – 5)	6
2	Room Size	0.1 – 20.0	(0 – 127)	
3	Diffusion	0 – 10	(0 – 10)	
4	Initial Delay	0.1ms – 200.0ms	(0 – 127)	
5	Feedback Level	-63 – +63	(1 – 127)	
6	HPF Cutoff Frequency	20Hz – 8.0kHz	(0 – 52)	
7	LPF Cutoff Frequency	1.0kHz – 20.0kHz	(34 – 60)	
8	—	—	—	
9	—	—	—	
10	Dry/Wet Balance	D63>W – D=W – D<W63	(1 – 127)	
11	Liveness	0 – 10	(0 – 10)	
12	Density	0 – 3	(0 – 3)	
13	Feedback High Damp	0.1 – 1.0	(1 – 10)	
14	—	—	—	
15	—	—	—	
16	—	—	—	

Insertion L Block

[0] THRU

When this type is selected, no parameters are available.

[1] VOCODER

No.	Parameter	Range	Value	Table No.
1	Formant Shift	-2, -1, 0, +1, +2	(62 – 66)	
2	Formant Offset	-63 – +63	(1 – 127)	
3	Vocoder Attack	1ms – 200ms	(0 – 29)	
4	Vocoder Release	10ms – 3000ms	(0 – 23)	
5	Gate Switch	off/on	(0 – 1)	
6	Mic Gate Threshold	-72dB – -30dB	(55 – 97)	
7	HPF Cutoff Frequency	Thru, 500Hz – 16.0kHz	(27 – 58)	
8	HPF Output Level	0 – 127	(0 – 127)	
9	—			
10	Dry/Wet Balance	D63>W – D=W – D<W63	(1 – 127)	
11	Mic Level	0 – 127	(0 – 127)	
12	Inst Input Level	0 – 127	(0 – 127)	
13	Noise Input Level	0 – 127	(0 – 127)	
14	Output Level	0 – 127	(0 – 127)	
15	BPF1 Gain	-18dB – +18dB	(46 – 82)	
16	BPF2 Gain	-18dB – +18dB	(46 – 82)	
17	BPF3 Gain	-18dB – +18dB	(46 – 82)	
18	BPF4 Gain	-18dB – +18dB	(46 – 82)	
19	BPF5 Gain	-18dB – +18dB	(46 – 82)	
20	BPF6 Gain	-18dB – +18dB	(46 – 82)	
21	BPF7 Gain	-18dB – +18dB	(46 – 82)	
22	BPF8 Gain	-18dB – +18dB	(46 – 82)	
23	BPF9 Gain	-18dB – +18dB	(46 – 82)	
24	BPF10 Gain	-18dB – +18dB	(46 – 82)	

Master Effect Block

THRU type is not included in the Master Effect Block. If you wish to bypass this block, turn the [MASTER EFFECT] off.

DELAY L,R (Stereo)

LO-FI

COMP DISTORTION

ISOLATOR

DYNAMIC FILTER

SLICE

RING MODULATOR

MULTI BAND COMP

VCM COMPRESSOR 376

Master EQ Block

[0] MEQ

No.	Parameter	Range	Value	Table No.
1	EQ1 Gain	-12dB – +12dB	(52 – 76)	
2	EQ1 Frequency	32Hz – 2.0kHz	(4 – 40)	3
3	EQ1 Q	0.1 – 12.0	(1 – 120)	
4	EQ1 Shape	shelving, peaking	(0 – 1)	
5	EQ2 Gain	-12dB – +12dB	(52 – 76)	
6	EQ2 Frequency	100Hz – 10kHz	(14 – 54)	3
7	EQ2 Q	0.1 – 12.0	(1 – 120)	
8	—			
9	EQ3 Gain	-12dB – +12dB	(52 – 76)	
10	EQ3 Frequency	100Hz – 10kHz	(14 – 54)	3
11	EQ3 Q	0.1 – 12.0	(1 – 120)	
12	—			
13	EQ4 Gain	-12dB – +12dB	(52 – 76)	
14	EQ4 Frequency	100Hz – 10kHz	(14 – 54)	3
15	EQ4 Q	0.1 – 12.0	(1 – 120)	
16	—			
17	EQ5 Gain	-12dB – +12dB	(52 – 76)	
18	EQ5 Frequency	500Hz – 16kHz	(28 – 58)	3
19	EQ5 Q	0.1 – 12.0	(1 – 120)	
20	EQ5 Shape	shelving, peaking	(0 – 1)	

When the EQ Shape1 is set to Peaking, the range of EQ Frequency 1 is 63Hz – 2.0kHz (10 – 40).

Effect Data Assign Table

Table 1
LFO Frequency

Data	Value	Data	Value
0	0	64	2.69
1	0.04	65	2.78
2	0.08	66	2.86
3	0.13	67	2.94
4	0.17	68	3.03
5	0.21	69	3.11
6	0.25	70	3.2
7	0.29	71	3.28
8	0.34	72	3.37
9	0.38	73	3.45
10	0.42	74	3.53
11	0.46	75	3.62
12	0.51	76	3.7
13	0.55	77	3.87
14	0.59	78	4.04
15	0.63	79	4.21
16	0.67	80	4.37
17	0.72	81	4.54
18	0.76	82	4.71
19	0.8	83	4.88
20	0.84	84	5.05
21	0.88	85	5.22
22	0.93	86	5.38
23	0.97	87	5.55
24	1.01	88	5.72
25	1.05	89	6.06
26	1.09	90	6.39
27	1.14	91	6.73
28	1.18	92	7.07
29	1.22	93	7.4
30	1.26	94	7.74
31	1.3	95	8.08
32	1.35	96	8.41
33	1.39	97	8.75
34	1.43	98	9.08
35	1.47	99	9.42
36	1.51	100	9.76
37	1.56	101	10.1
38	1.6	102	10.8
39	1.64	103	11.4
40	1.68	104	12.1
41	1.72	105	12.8
42	1.77	106	13.5
43	1.81	107	14.1
44	1.85	108	14.8
45	1.89	109	15.5
46	1.94	110	16.2
47	1.98	111	16.8
48	2.02	112	17.5
49	2.06	113	18.2
50	2.1	114	19.5
51	2.15	115	20.9
52	2.19	116	22.2
53	2.23	117	23.6
54	2.27	118	24.9
55	2.31	119	26.2
56	2.36	120	27.6
57	2.4	121	28.9
58	2.44	122	30.3
59	2.48	123	31.6
60	2.52	124	33
61	2.57	125	34.3
62	2.61	126	37
63	2.65	127	39.7

Table 2
Modulation Delay Offset

Data	Value	Data	Value
0	0	64	6.4
1	0.1	65	6.5
2	0.2	66	6.6
3	0.3	67	6.7
4	0.4	68	6.8
5	0.5	69	6.9
6	0.6	70	7
7	0.7	71	7.1
8	0.8	72	7.2
9	0.9	73	7.3
10	1	74	7.4
11	1.1	75	7.5
12	1.2	76	7.6
13	1.3	77	7.7
14	1.4	78	7.8
15	1.5	79	7.9
16	1.6	80	8
17	1.7	81	8.1
18	1.8	82	8.2
19	1.9	83	8.3
20	2	84	8.4
21	2.1	85	8.5
22	2.2	86	8.6
23	2.3	87	8.7
24	2.4	88	8.8
25	2.5	89	8.9
26	2.6	90	9
27	2.7	91	9.1
28	2.8	92	9.2
29	2.9	93	9.3
30	3	94	9.4
31	3.1	95	9.5
32	3.2	96	9.6
33	3.3	97	9.7
34	3.4	98	9.8
35	3.5	99	9.9
36	3.6	100	10
37	3.7	101	11.1
38	3.8	102	12.2
39	3.9	103	13.3
40	4	104	14.4
41	4.1	105	15.5
42	4.2	106	17.1
43	4.3	107	18.6
44	4.4	108	20.2
45	4.5	109	21.8
46	4.6	110	23.3
47	4.7	111	24.9
48	4.8	112	26.5
49	4.9	113	28
50	5	114	29.6
51	5.1	115	31.2
52	5.2	116	32.8
53	5.3	117	34.3
54	5.4	118	35.9
55	5.5	119	37.5
56	5.6	120	39
57	5.7	121	40.6
58	5.8	122	42.2
59	5.9	123	43.7
60	6	124	45.3
61	6.1	125	46.9
62	6.2	126	48.4
63	6.3	127	50

Table 3
EQ F

Data	Value
0	THRU (20)
1	22
2	25
3	28
4	32
5	36
6	40
7	45
8	50
9	56
10	63
11	70
12	80
13	90
14	100
15	110
16	125
17	140
18	160
19	180
20	200
21	225
22	250
23	280
24	315
25	355
26	400
27	450
28	500
29	560
30	630
31	700
32	800
33	900
34	1.0k
35	1.1k
36	1.2k
37	1.4k
38	1.6k
39	1.8k
40	2.0k
41	2.2k
42	2.5k
43	2.8k
44	3.2k
45	3.6k
46	4.0k
47	4.5k
48	5.0k
49	5.6k
50	6.3k
51	7.0k
52	8.0k
53	9.0k
54	10.0k
55	11.0k
56	12.0k
57	14.0k
58	16.0k
59	18.0k
60	THRU (20.0k)
61	frequency

Table 4
Reverb time

Data	Value
0	0.3
1	0.4
2	0.5
3	0.6
4	0.7
5	0.8
6	0.9
7	1
8	1.1
9	1.2
10	1.3
11	1.4
12	1.5
13	1.6
14	1.7
15	1.8
16	1.9
17	2
18	2.1
19	2.2
20	2.3
21	2.4
22	2.5
23	2.6
24	2.7
25	2.8
26	2.9
27	3
28	3.1
29	3.2
30	3.3
31	3.4
32	3.5
33	3.6
34	3.7
35	3.8
36	3.9
37	4
38	4.1
39	4.2
40	4.3
41	4.4
42	4.5
43	4.6
44	4.7
45	4.8
46	4.9
47	5
48	5.5
49	6
50	6.5
51	7
52	7.5
53	8
54	8.5
55	9
56	9.5
57	10
58	11
59	12
60	13
61	14
62	15
63	16
64	17
65	18
66	19
67	20
68	25
69	30

Table 5
Delay Time (0.1–200.0 [ms])

Data	Value	Data	Value
0	0.1	64	100.8
1	1.7	65	102.4
2	3.2	66	104
3	4.8	67	105.6
4	6.4	68	107.1
5	8	69	108.7
6	9.5	70	110.3
7	11.1	71	111.9
8	12.7	72	113.4
9	14.3	73	115
10	15.8	74	116.6
11	17.4	75	118.2
12	19	76	119.7
13	20.6	77	121.3
14	22.1	78	122.9
15	23.7	79	124.4
16	25.3	80	126
17	26.9	81	127.6
18	28.4	82	129.2
19	30	83	130.7
20	31.6	84	132.3
21	33.2	85	133.9
22	34.7	86	135.5
23	36.3	87	137
24	37.9	88	138.6
25	39.5	89	140.2
26	41	90	141.8
27	42.6	91	143.3
28	44.2	92	144.9
29	45.7	93	146.5
30	47.3	94	148.1
31	48.9	95	149.6
32	50.5	96	151.2
33	52	97	152.8
34	53.6	98	154.4
35	55.2	99	155.9
36	56.8	100	157.5
37	58.3	101	159.1
38	59.9	102	160.6
39	61.5	103	162.2
40	63.1	104	163.8
41	64.6	105	165.4
42	66.2	106	166.9
43	67.8	107	168.5
44	69.4	108	170.1
45	70.9	109	171.7
46	72.5	110	173.2
47	74.1	111	174.8
48	75.7	112	176.4
49	77.2	113	178
50	78.8	114	179.5
51	80.4	115	181.1
52	81.9	116	182.7
53	83.5	117	184.3
54	85.1	118	185.8
55	86.7	119	187.4
56	88.2	120	189
57	89.8	121	190.6
58	91.4	122	192.1
59	93	123	193.7
60	94.5	124	195.3
61	96.1	125	196.9
62	97.7	126	198.4
63	99.3	127	200

Table 6
Room Size

Data	Value	Data	Value
0	0.1	64	10.1
1	0.3	65	10.3
2	0.4	66	10.4
3	0.6	67	10.6
4	0.7	68	10.8
5	0.9	69	10.9
6	1	70	11.1
7	1.2	71	11.2
8	1.4	72	11.4
9	1.5	73	11.5
10	1.7	74	11.7
11	1.8	75	11.9
12	2	76	12
13	2.1	77	12.2
14	2.3	78	12.3
15	2.5	79	12.5
16	2.6	80	12.6
17	2.8	81	12.8
18	2.9	82	12.9
19	3.1	83	13.1
20	3.2	84	13.3
21	3.4	85	13.4
22	3.5	86	13.6
23	3.7	87	13.7
24	3.9	88	13.9
25	4	89	14
26	4.2	90	14.2
27	4.3	91	14.4
28	4.5	92	14.5
29	4.6	93	14.7
30	4.8	94	14.8
31	5	95	15
32	5.1	96	15.1
33	5.3	97	15.3
34	5.4	98	15.5
35	5.6	99	15.6
36	5.7	100	15.8
37	5.9	101	15.9
38	6.1	102	16.1
39	6.2	103	16.2
40	6.4	104	16.4
41	6.5	105	16.6
42	6.7	106	16.7
43	6.8	107	16.9
44	7	108	17
45	7.2	109	17.2
46	7.3	110	17.3
47	7.5	111	17.5
48	7.6	112	17.6
49	7.8	113	17.8
50	7.9	114	18
51	8.1	115	18.1
52	8.2	116	18.3
53	8.4	117	18.4
54	8.6	118	18.6
55	8.7	119	18.7
56	8.9	120	18.9
57	9	121	19.1
58	9.2	122	19.2
59	9.3	123	19.4
60	9.5	124	19.5
61	9.7	125	19.7
62	9.8	126	19.8
63	10	127	20

Table 7
Delay Time (0.1–400.0 [ms])

Data	Value	Data	Value
0	0.1	64	201.6
1	3.2	65	204.8
2	6.4	66	207.9
3	9.5	67	211.1
4	12.7	68	214.2
5	15.8	69	217.4
6	19	70	220.5
7	22.1	71	223.7
8	25.3	72	226.8
9	28.4	73	230
10	31.6	74	233.1
11	34.7	75	236.3
12	37.9	76	239.4
13	41	77	242.6
14	44.2	78	245.7
15	47.3	79	248.9
16	50.5	80	252
17	53.6	81	255.2
18	56.8	82	258.3
19	59.9	83	261.5
20	63.1	84	264.6
21	66.2	85	267.7
22	69.4	86	270.9
23	72.5	87	274
24	75.7	88	277.2
25	78.8	89	280.3
26	82	90	283.5
27	85.1	91	286.6
28	88.3	92	289.8
29	91.4	93	292.9
30	94.6	94	296.1
31	97.7	95	299.2
32	100.9	96	302.4
33	104	97	305.5
34	107.2	98	308.7
35	110.3	99	311.8
36	113.5	100	315
37	116.6	101	318.1
38	119.8	102	321.3
39	122.9	103	324.4
40	126.1	104	327.6
41	129.2	105	330.7
42	132.4	106	333.9
43	135.5	107	337
44	138.6	108	340.2
45	141.8	109	343.3
46	144.9	110	346.5
47	148.1	111	349.6
48	151.2	112	352.8
49	154.4	113	355.9
50	157.5	114	359.1
51	160.7	115	362.2
52	163.8	116	365.4
53	167	117	368.5
54	170.1	118	371.7
55	173.3	119	374.8
56	176.4	120	378
57	179.6	121	381.1
58	182.7	122	384.3
59	185.9	123	387.4
60	189	124	390.6
61	192.2	125	393.7
62	195.3	126	396.9
63	198.5	127	400

Table 8
Compressor Attack Time

Data	Value
0	1
1	2
2	3
3	4
4	5
5	6
6	7
7	8
8	9
9	10
10	12
11	14
12	16
13	18
14	20
15	23
16	26
17	30
18	35
19	40
20	50
21	60
22	70
23	80
24	100
25	120
26	140
27	160
28	180
29	200

Table 9
Compressor Release Time

Data	Value
0	10
1	15
2	25
3	35
4	45
5	55
6	65
7	75
8	85
9	100
10	115
11	140
12	170
13	230
14	340
15	680
16	850
17	1000
18	1200
19	1500
20	1700
21	2000
22	2400
23	3000

Table 10
Compressor Ratio

Data	Value
0	1
1	1.5
2	2
3	3
4	5
5	7
6	10
7	20

Table 11
Reverb Width; Depth; Height

Data	Value	Data	Value
0	0.5	64	17.6
1	0.8	65	17.9
2	1	66	18.2
3	1.3	67	18.5
4	1.5	68	18.8
5	1.8	69	19.1
6	2	70	19.4
7	2.3	71	19.7
8	2.6	72	20
9	2.8	73	20.2
10	3.1	74	20.5
11	3.3	75	20.8
12	3.6	76	21.1
13	3.9	77	21.4
14	4.1	78	21.7
15	4.4	79	22
16	4.6	80	22.4
17	4.9	81	22.7
18	5.2	82	23
19	5.4	83	23.3
20	5.7	84	23.6
21	5.9	85	23.9
22	6.2	86	24.2
23	6.5	87	24.5
24	6.7	88	24.9
25	7	89	25.2
26	7.2	90	25.5
27	7.5	91	25.8
28	7.8	92	26.1
29	8	93	26.5
30	8.3	94	26.8
31	8.6	95	27.1
32	8.8	96	27.5
33	9.1	97	27.8
34	9.4	98	28.1
35	9.6	99	28.5
36	9.9	100	28.8
37	10.2	101	29.2
38	10.4	102	29.5
39	10.7	103	29.9
40	11	104	30.2
41	11.2		
42	11.5		
43	11.8		
44	12.1		
45	12.3		
46	12.6		
47	12.9		
48	13.1		
49	13.4		
50	13.7		
51	14		
52	14.2		
53	14.5		
54	14.8		
55	15.1		
56	15.4		
57	15.6		
58	15.9		
59	16.2		
60	16.5		
61	16.8		
62	17.1		
63	17.3		

Table 12
Wah Release Time

Data	Value
52	10
53	15
54	25
55	35
56	45
57	55
58	65
59	75
60	85
61	100
62	115
63	140
64	170
65	230
66	340
67	680

Table 13
LO-FI Sampling Frequency Control

Data	Value	Data	Value
0	44.1k	64	678.5
1	22.1k	65	668.2
2	14.7k	66	658.2
3	11.0k	67	648.5
4	8.82k	68	639.1
5	7.35k	69	630
6	6.30k	70	621.1
7	5.51k	71	612.5
8	4.90k	72	604.1
9	4.41k	73	595.9
10	4.01k	74	588
11	3.68k	75	580.3
12	3.39k	76	572.7
13	3.15k	77	565.4
14	2.94k	78	558.2
15	2.76k	79	551.3
16	2.59k	80	544.4
17	2.45k	81	537.8
18	2.32k	82	531.3
19	2.21k	83	525
20	2.10k	84	518.8
21	2.00k	85	512.8
22	1.92k	86	506.9
23	1.84k	87	501.1
24	1.76k	88	495.5
25	1.70k	89	490
26	1.63k	90	484.6
27	1.58k	91	479.3
28	1.52k	92	474.2
29	1.47k	93	469.1
30	1.42k	94	464.2
31	1.38k	95	459.4
32	1.34k	96	454.6
33	1.30k	97	450
34	1.26k	98	445.5
35	1.23k	99	441
36	1.19k	100	436.6
37	1.16k	101	432.4
38	1.13k	102	428.2
39	1.10k	103	424
40	1.08k	104	420
41	1.05k	105	416
42	1.03k	106	412.1
43	1.00k	107	408.3
44	980	108	404.6
45	958.7	109	400.9
46	938.3	110	397.3
47	918.8	111	393.8
48	900	112	390.3
49	882	113	386.8
50	864.7	114	383.5
51	848.1	115	380.2
52	832.1	116	376.9
53	816.7	117	373.7
54	801.8	118	370.6
55	787.5	119	367.5
56	773.7	120	364.5
57	760.3	121	361.5
58	747.5	122	358.5
59	735	123	355.6
60	723	124	352.8
61	711.3	125	350
62	700	126	347.2
63	689.1	127	344.5

Table 14
Tempo

Data	Value
0	32nd/3
1	64th.
2	32nd
3	16th/3
4	32nd.
5	16th
6	8th/3
7	16th.
8	8th
9	4th/3
10	8th.
11	4th
12	2nd/3
13	4th.
14	2nd
15	Whole/3
16	2nd.
17	4thX4
18	4thX5
19	4thX6
20	4thX7
21	4thX8
22	4thX9
23	4thX10
24	4thX11
25	4thX12
26	4thX13
27	4thX14
28	4thX15
29	4thX16

Table 15
Multi Compressor Gain (dB)

Data	Value	Data	Value
0	-∞	29	-8
1	-60	30	-7
2	-57	31	-6
3	-54	32	-5
4	-51	33	-4
5	-48	34	-3
6	-45	35	-2
7	-42	36	-1
8	-39	37	0
9	-36	38	1
10	-33	39	2
11	-30	40	3
12	-27	41	4
13	-24	42	5
14	-23	43	6
15	-22	44	7
16	-21	45	8
17	-20	46	9
18	-19	47	10
19	-18	48	11
20	-17	49	12
21	-16	50	13
22	-15	51	14
23	-14	52	15
24	-13	53	16
25	-12	54	17
26	-11	55	18
27	-10		
28	-9		

Table 16
Divide Frequency (Hz)

Data	Value1	Value2	Data	Value1	Value2
0	32	1.2k	64	315	3.2k
1	32	1.6k	65	315	4.0k
2	32	2.0k	66	315	5.0k
3	32	2.5k	67	315	6.3k
4	32	3.2k	68	315	8.0k
5	32	4.0k	69	315	10.0k
6	32	5.0k	70	500	1.2k
7	32	6.3k	71	500	1.6k
8	32	8.0k	72	500	2.0k
9	32	10.0k	73	500	2.5k
10	63	1.2k	74	500	3.2k
11	63	1.6k	75	500	4.0k
12	63	2.0k	76	500	5.0k
13	63	2.5k	77	500	6.3k
14	63	3.2k	78	500	8.0k
15	63	4.0k	79	500	10.0k
16	63	5.0k	80	630	1.2k
17	63	6.3k	81	630	1.6k
18	63	8.0k	82	630	2.0k
19	63	10.0k	83	630	2.5k
20	80	1.2k	84	630	3.2k
21	80	1.6k	85	630	4.0k
22	80	2.0k	86	630	5.0k
23	80	2.5k	87	630	6.3k
24	80	3.2k	88	630	8.0k
25	80	4.0k	89	630	10.0k
26	80	5.0k			
27	80	6.3k			
28	80	8.0k			
29	80	10.0k			
30	125	1.2k			
31	125	1.6k			
32	125	2.0k			
33	125	2.5k			
34	125	3.2k			
35	125	4.0k			
36	125	5.0k			
37	125	6.3k			
38	125	8.0k			
39	125	10.0k			
40	160	1.2k			
41	160	1.6k			
42	160	2.0k			
43	160	2.5k			
44	160	3.2k			
45	160	4.0k			
46	160	5.0k			
47	160	6.3k			
48	160	8.0k			
49	160	10.0k			
50	250	1.2k			
51	250	1.6k			
52	250	2.0k			
53	250	2.5k			
54	250	3.2k			
55	250	4.0k			
56	250	5.0k			
57	250	6.3k			
58	250	8.0k			
59	250	10.0k			
60	315	1.2k			
61	315	1.6k			
62	315	2.0k			
63	315	2.5k			

Table 17
Dyna Attack Time (ms)

Data	Value	Data	Value
0	0.3	64	112
1	0.9	65	114
2	1.8	66	116
3	2.7	67	118
4	3.6	68	120
5	5.4	69	121
6	7.2	70	123
7	9	71	125
8	10	72	127
9	12	73	129
10	14	74	130
11	16	75	132
12	18	76	134
13	20	77	136
14	21	78	138
15	23	79	140
16	25	80	141
17	27	81	143
18	29	82	145
19	30	83	147
20	32	84	149
21	34	85	150
22	36	86	152
23	38	87	154
24	40	88	156
25	41	89	158
26	43	90	160
27	45	91	161
28	47	92	163
29	49	93	165
30	50	94	167
31	52	95	169
32	54	96	170
33	56	97	172
34	58	98	174
35	60	99	176
36	61	100	178
37	63	101	180
38	65	102	181
39	67	103	183
40	69	104	185
41	70	105	187
42	72	106	189
43	74	107	190
44	76	108	192
45	78	109	194
46	80	110	196
47	81	111	198
48	83	112	200
49	85	113	201
50	87	114	203
51	89	115	205
52	90	116	207
53	92	117	209
54	94	118	210
55	96	119	212
56	98	120	214
57	100	121	216
58	101	122	218
59	103	123	220
60	105	124	221
61	107	125	223
62	109	126	225
63	110	127	227

Effect Data Assign Table

Table 18
Dyna Release Time (ms)

Data	Value	Data	Value
0	2.6	64	369
1	3	65	391
2	3.4	66	413
3	3.9	67	434
4	4.3	68	456
5	4.7	69	478
6	5.2	70	499
7	5.6	71	521
8	6	72	543
9	6.5	73	565
10	6.9	74	586
11	7.3	75	608
12	7.8	76	630
13	8.2	77	651
14	8.6	78	673
15	13	79	695
16	17	80	717
17	22	81	738
18	26	82	760
19	30	83	782
20	35	84	803
21	39	85	825
22	43	86	847
23	48	87	869
24	52	88	890
25	56	89	912
26	61	90	934
27	65	91	955
28	69	92	977
29	74	93	999
30	78	94	1021
31	83	95	1042
32	87	96	1064
33	91	97	1086
34	96	98	1107
35	100	99	1129
36	104	100	1151
37	109	101	1173
38	113	102	1194
39	117	103	1216
40	122	104	1238
41	126	105	1259
42	130	106	1281
43	135	107	1303
44	139	108	1346
45	143	109	1390
46	148	110	1433
47	152	111	1477
48	156	112	1520
49	161	113	1563
50	165	114	1607
51	169	115	1650
52	174	116	1694
53	178	117	1737
54	182	118	1781
55	187	119	1824
56	195	120	1867
57	217	121	1911
58	239	122	1954
59	261	123	1998
60	282	124	2041
61	304	125	2085
62	326	126	2128
63	347	127	2171

Table 19
Ring Mod OSC Freq Coarse (Hz)

Data	Value	Data	Value
0	0.5	64	151
1	1.5	65	160
2	2	66	169
3	2.5	67	179
4	3.5	68	189
5	4	69	200
6	4.5	70	211
7	5.5	71	223
8	6	72	236
9	6.5	73	249
10	7.5	74	264
11	8	75	279
12	8.4	76	295
13	8.9	77	311
14	9.4	78	329
15	9.9	79	348
16	10.5	80	368
17	11.1	81	389
18	11.7	82	411
19	12.4	83	435
20	13.1	84	459
21	13.9	85	486
22	14.7	86	513
23	15.5	87	543
24	16.4	88	574
25	17.3	89	607
26	18.3	90	641
27	19.4	91	678
28	20.5	92	717
29	21.7	93	757
30	22.9	94	801
31	24.2	95	846
32	25.6	96	895
33	27.1	97	946
34	28.6	98	1.00k
35	30.3	99	1.05k
36	32	100	1.11k
37	33.8	101	1.18k
38	35.8	102	1.24k
39	37.8	103	1.32k
40	40	104	1.39k
41	42.2	105	1.47k
42	44.7	106	1.55k
43	47.2	107	1.64k
44	49.9	108	1.74k
45	52.7	109	1.84k
46	55.8	110	1.94k
47	58.9	111	2.05k
48	62.3	112	2.17k
49	65.9	113	2.29k
50	69.6	114	2.43k
51	73.6	115	2.56k
52	77.8	116	2.71k
53	82.3	117	2.87k
54	87	118	3.03k
55	91.9	119	3.20k
56	97.2	120	3.39k
57	102	121	3.58k
58	108	122	3.79k
59	114	123	4.00k
60	121	124	4.23k
61	128	125	4.47k
62	135	126	4.73k
63	143	127	5.00k

Table 20
V-Flanger Delay Offset

Data	Value	Data	Value
0	0.09	70	6.35
1	0.11	71	6.67
2	0.13	72	7.01
3	0.15	73	7.37
4	0.18	74	7.74
5	0.2	75	8.13
6	0.22	76	8.54
7	0.24	77	8.97
8	0.27	78	9.41
9	0.29	79	9.85
10	0.31	80	10.29
11	0.34	81	10.73
12	0.36	82	11.17
13	0.38	83	11.61
14	0.4	84	12.05
15	0.42	85	12.49
16	0.43	86	12.93
17	0.46	87	13.37
18	0.48	88	13.81
19	0.51	89	14.24
20	0.53	90	14.68
21	0.56	91	15.12
22	0.59	92	15.56
23	0.62	93	16
24	0.65	94	16.44
25	0.68	95	16.88
26	0.72	96	17.32
27	0.76	97	17.76
28	0.79	98	18.2
29	0.83	99	18.64
30	0.88	100	19.08
31	0.92	101	19.52
32	0.97	102	19.96
33	1.02	103	20.4
34	1.07	104	20.83
35	1.12	105	21.27
36	1.18	106	21.71
37	1.24	107	22.15
38	1.3	108	22.59
39	1.37	109	23.03
40	1.44	110	23.47
41	1.51	111	23.91
42	1.59	112	24.35
43	1.67	113	24.79
44	1.76	114	25.23
45	1.84	115	25.66
46	1.94	116	26.1
47	2.04	117	26.54
48	2.14	118	26.98
49	2.25	119	27.42
50	2.36	120	27.86
51	2.48	121	28.3
52	2.61	122	28.74
53	2.74	123	29.18
54	2.88	124	29.62
55	3.03	125	30.06
56	3.18	126	30.5
57	3.34	127	30.94
58	3.51	128	31.38
59	3.69	129	31.82
60	3.87	130	32.25
61	4.07	131	32.69
62	4.28	132	33.13
63	4.49	133	33.57
64	4.72	134	34.01
65	4.96	135	34.45
66	5.21	136	34.89
67	5.47	137	35.33
68	5.75	138	35.77
69	6.04	139	36.21

Table 21
Modulation Phase

Data	Value
0	-180
1	-158
2	-135
3	-113
4	-90
5	-68
6	-45
7	-23
8	0
9	23
10	45
11	68
12	90
13	113
14	135
15	158
16	180

Table 22
VCM Flanger Speed

Data	Value	Data	Value	Data	Value	Data	Value
0	0.04	70	0.281	140	1.272	210	5.804
1	0.042	71	0.287	141	1.304	211	5.972
2	0.045	72	0.292	142	1.335	212	6.056
3	0.047	73	0.3	143	1.367	213	6.224
4	0.05	74	0.308	144	1.409	214	6.309
5	0.053	75	0.313	145	1.43	215	6.477
6	0.055	76	0.321	146	1.451	216	6.645
7	0.058	77	0.326	147	1.493	217	6.813
8	0.06	78	0.334	148	1.514	218	6.897
9	0.063	79	0.342	149	1.556	219	7.066
10	0.066	80	0.347	150	1.577	220	7.234
11	0.068	81	0.357	151	1.619	221	7.402
12	0.071	82	0.363	152	1.661	222	7.57
13	0.074	83	0.373	153	1.682	223	7.738
14	0.076	84	0.379	154	1.724	224	7.907
15	0.079	85	0.389	155	1.766	225	8.075
16	0.081	86	0.4	156	1.808	226	8.243
17	0.084	87	0.405	157	1.851	227	8.411
18	0.087	88	0.415	158	1.893	228	8.58
19	0.089	89	0.426	159	1.935	229	8.748
20	0.092	90	0.431	160	1.977	230	9
21	0.095	91	0.442	161	2.019	231	9.168
22	0.097	92	0.452	162	2.061	232	9.337
23	0.1	93	0.463	163	2.103	233	9.509
24	0.102	94	0.473	164	2.145	234	9.757
25	0.105	95	0.484	165	2.187	235	10
26	0.108	96	0.494	166	2.25		
27	0.11	97	0.505	167	2.292		
28	0.113	98	0.515	168	2.334		
29	0.116	99	0.526	169	2.397		
30	0.118	100	0.536	170	2.46		
31	0.121	101	0.547	171	2.502		
32	0.124	102	0.563	172	2.565		
33	0.126	103	0.573	173	2.608		
34	0.129	104	0.589	174	2.671		
35	0.131	105	0.599	175	2.733		
36	0.134	106	0.615	176	2.776		
37	0.137	107	0.626	177	2.86		
38	0.139	108	0.636	178	2.902		
39	0.145	109	0.652	179	2.986		
40	0.147	110	0.668	180	3.028		
41	0.15	111	0.683	181	3.112		
42	0.152	112	0.704	182	3.154		
43	0.158	113	0.715	183	3.238		
44	0.16	114	0.725	184	3.323		
45	0.163	115	0.747	185	3.365		
46	0.168	116	0.757	186	3.449		
47	0.171	117	0.778	187	3.533		
48	0.173	118	0.789	188	3.617		
49	0.179	119	0.81	189	3.701		
50	0.181	120	0.831	190	3.785		
51	0.187	121	0.852	191	3.869		
52	0.189	122	0.862	192	3.953		
53	0.195	123	0.883	193	4.037		
54	0.197	124	0.904	194	4.122		
55	0.202	125	0.925	195	4.206		
56	0.208	126	0.946	196	4.29		
57	0.21	127	0.967	197	4.374		
58	0.216	128	0.988	198	4.5		
59	0.221	129	1.009	199	4.584		
60	0.226	130	1.03	200	4.668		
61	0.231	131	1.051	201	4.752		
62	0.237	132	1.072	202	4.879		
63	0.242	133	1.093	203	5.005		
64	0.247	134	1.125	204	5.131		
65	0.252	135	1.146	205	5.215		
66	0.258	136	1.167	206	5.341		
67	0.263	137	1.199	207	5.467		
68	0.268	138	1.22	208	5.552		
69	0.273	139	1.251	209	5.72		

Table 23
VCM Phaser Speed

Data	Value	Data	Value	Data	Value	Data	Value
0	0.1	70	0.373	140	1.325	210	4.668
1	0.103	71	0.379	141	1.346	211	4.752
2	0.105	72	0.389	142	1.367	212	4.837
3	0.108	73	0.394	143	1.41	213	4.921
4	0.11	74	0.4	144	1.43	214	5.047
5	0.113	75	0.41	145	1.451	215	5.131
6	0.116	76	0.415	146	1.472	216	5.215
7	0.118	77	0.426	147	1.493	217	5.299
8	0.121	78	0.431	148	1.535	218	5.383
9	0.124	79	0.442	149	1.556	219	5.551
10	0.126	80	0.447	150	1.577	220	5.636
11	0.129	81	0.457	151	1.619	221	5.72
12	0.131	82	0.463	152	1.64	222	5.804
13	0.134	83	0.473	153	1.682	223	5.888
14	0.137	84	0.478	154	1.703	224	6.056
15	0.139	85	0.489	155	1.724	225	6.14
16	0.142	86	0.499	156	1.767	226	6.224
17	0.145	87	0.51	157	1.808	227	6.393
18	0.147	88	0.515	158	1.829	228	6.477
19	0.15	89	0.526	159	1.872	229	6.561
20	0.152	90	0.536	160	1.893	230	6.729
21	0.155	91	0.547	161	1.935	231	6.813
22	0.158	92	0.557	162	1.977	232	6.981
23	0.16	93	0.568	163	2	233	7.066
24	0.163	94	0.578	164	2.04	234	7.234
25	0.166	95	0.589	165	2.082	235	7.318
26	0.168	96	0.599	166	2.124	236	7.486
27	0.171	97	0.61	167	2.145	237	7.654
28	0.173	98	0.62	168	2.187	238	7.774
29	0.179	99	0.631	169	2.229	239	7.907
30	0.181	100	0.641	170	2.271	240	8.075
31	0.184	101	0.652	171	2.313	241	8.159
32	0.187	102	0.668	172	2.355	242	8.327
33	0.192	103	0.683	173	2.397	243	8.496
34	0.195	104	0.694	174	2.439	244	8.664
35	0.2	105	0.704	175	2.503	245	8.832
36	0.202	106	0.715	176	2.544	246	9
37	0.205	107	0.725	177	2.587	247	9.168
38	0.21	108	0.747	178	2.629	248	9.337
39	0.213	109	0.758	179	2.671	249	9.505
40	0.218	110	0.768	180	2.734	250	9.673
41	0.221	111	0.789	181	2.776	251	9.841
42	0.226	112	0.799	182	2.86	252	10
43	0.229	113	0.81	183	2.902		
44	0.234	114	0.831	184	2.944		
45	0.237	115	0.841	185	2.986		
46	0.242	116	0.862	186	3.028		
47	0.247	117	0.873	187	3.07		
48	0.25	118	0.894	188	3.154		
49	0.255	119	0.904	189	3.196		
50	0.26	120	0.925	190	3.28		
51	0.265	121	0.936	191	3.323		
52	0.271	122	0.957	192	3.365		
53	0.276	123	0.967	193	3.449		
54	0.281	124	0.988	194	3.491		
55	0.287	125	1	195	3.575		
56	0.289	126	1.03	196	3.659		
57	0.294	127	1.051	197	3.701		
58	0.3	128	1.062	198	3.785		
59	0.308	129	1.083	199	3.827		
60	0.31	130	1.104	200	3.911		
61	0.318	131	1.125	201	3.995		
62	0.323	132	1.146	202	4.08		
63	0.329	133	1.167	203	4.122		
64	0.334	134	1.188	204	4.206		
65	0.342	135	1.209	205	4.29		
66	0.347	136	1.23	206	4.374		
67	0.357	137	1.251	207	4.458		
68	0.363	138	1.272	208	4.5		
69	0.368	139	1.304	209	4.584		

Effect Data Assign Table

Table 24
VCM Wah Speed

Data	Value	Data	Value	Data	Value	Data	Value
0	0.1	70	0.436	140	1.872	210	7.991
1	0.103	71	0.447	141	1.914	211	8.159
2	0.105	72	0.457	142	1.956	212	8.327
3	0.108	73	0.463	143	1.999	213	8.496
4	0.11	74	0.473	144	2.04	214	8.748
5	0.113	75	0.484	145	2.082	215	8.916
6	0.116	76	0.494	146	2.124	216	9.084
7	0.118	77	0.505	147	2.166	217	9.253
8	0.129	78	0.515	148	2.229	218	9.505
9	0.124	79	0.526	149	2.25	219	9.673
10	0.126	80	0.536	150	2.313	220	9.841
11	0.129	81	0.547	151	2.355	221	10.09
12	0.131	82	0.563	152	2.397	222	10.26
13	0.134	83	0.573	153	2.46	223	10.51
14	0.137	84	0.584	154	2.502	224	10.77
15	0.139	85	0.599	155	2.566	225	10.93
16	0.142	86	0.61	156	2.608	226	11.1
17	0.145	87	0.62	157	2.671	227	11.44
18	0.147	88	0.636	158	2.734	228	11.61
19	0.152	89	0.652	159	2.776	229	11.94
20	0.155	90	0.662	160	2.818	230	12.11
21	0.157	91	0.673	161	2.902	231	12.45
22	0.163	92	0.694	162	2.944	232	12.62
23	0.166	93	0.704	163	3.028	233	12.95
24	0.168	94	0.725	164	3.07	234	13.29
25	0.173	95	0.736	165	3.154	235	13.46
26	0.176	96	0.747	166	3.196	236	13.79
27	0.179	97	0.768	167	3.28	237	13.96
28	0.184	98	0.778	168	3.336	238	14.3
29	0.187	99	0.799	169	3.407	239	14.64
30	0.189	100	0.82	170	3.491	240	14.97
31	0.195	101	0.831	171	3.575	241	15.31
32	0.2	102	0.852	172	3.659	242	15.65
33	0.202	103	0.873	173	3.701	243	15.98
34	0.208	104	0.883	174	3.785	244	16.32
35	0.21	105	0.904	175	3.869	245	16.65
36	0.216	106	0.935	176	3.953	246	16.99
37	0.221	107	0.946	177	4.037	247	17.33
38	0.226	108	0.967	178	4.122	248	17.66
39	0.231	109	0.988	179	4.206	249	18
40	0.234	110	0.999	180	4.29	250	18.34
41	0.239	111	1.02	181	4.374	251	18.84
42	0.244	112	1.051	182	4.5	252	19.18
43	0.25	113	1.072	183	4.584	253	19.51
44	0.255	114	1.093	184	4.668	254	20
45	0.26	115	1.115	185	4.795		
46	0.265	116	1.136	186	4.879		
47	0.271	117	1.157	187	4.963		
48	0.276	118	1.188	188	5.09		
49	0.284	119	1.209	189	5.173		
50	0.289	120	1.241	190	5.299		
51	0.294	121	1.262	191	5.383		
52	0.302	122	1.293	192	5.552		
53	0.308	123	1.314	193	5.636		
54	0.315	124	1.346	194	5.72		
55	0.321	125	1.367	195	5.888		
56	0.326	126	1.409	196	5.972		
57	0.334	127	1.43	197	6.14		
58	0.342	128	1.451	198	6.224		
59	0.347	129	1.493	199	6.393		
60	0.357	130	1.514	200	6.477		
61	0.363	131	1.556	201	6.665		
62	0.368	132	1.598	202	6.813		
63	0.379	133	1.619	203	6.897		
64	0.384	134	1.661	204	7.066		
65	0.394	135	1.703	205	7.234		
66	0.405	136	1.724	206	7.402		
67	0.41	137	1.766	207	7.57		
68	0.421	138	1.808	208	7.654		
69	0.426	139	1.851	209	7.823		

Table 25
Rev Hall Time

Data	Value
0	0.3
1	0.4
2	0.5
3	0.6
4	0.7
5	0.8
6	0.9
7	1
8	1.1
9	1.2
10	1.3
11	1.4
12	1.5
13	1.6
14	1.7
15	1.8
16	1.9
17	2
18	2.1
19	2.2
20	2.3
21	2.4
22	2.5
23	2.6
24	2.7
25	2.8
26	2.9
27	3
28	3.1
29	3.2
30	3.3
31	3.4
32	3.5
33	3.6
34	3.7
35	3.8
36	3.9
37	4
38	4.1
39	4.2
40	4.3
41	4.4
42	4.5
43	4.6
44	4.7
45	4.8
46	4.9
47	5
48	5.5
49	6
50	6.5
51	7
52	7.5
53	8
54	8.5
55	9
56	9.5
57	10
58	10.5
59	11
60	11.5
61	12
62	12.5
63	13
64	13.5
65	14
66	15
67	16
68	17
69	18

Table 26
Rev Room Time

Data	Value
0	0.3
1	0.4
2	0.5
3	0.6
4	0.7
5	0.8
6	0.9
7	1
8	1.1
9	1.2
10	1.3
11	1.4
12	1.5
13	1.6
14	1.7
15	1.8
16	1.9
17	2
18	2.1
19	2.2
20	2.3
21	2.4
22	2.5
23	2.6
24	2.7
25	2.8
26	2.9
27	3
28	3.1
29	3.2
30	3.3
31	3.4
32	3.5
33	3.6
34	3.7
35	3.8
36	3.9
37	4
38	4.1
39	4.2
40	4.3
41	4.4
42	4.5
43	4.6
44	4.7
45	4.8
46	4.9
47	5
48	5.1
49	5.2
50	5.3
51	5.4
52	5.5
53	5.6
54	5.7
55	5.8
56	5.9
57	6
58	6.1
59	6.2
60	6.3
61	6.4
62	6.5
63	6.6
64	6.7
65	6.8
66	6.9
67	7
68	8
69	10

Table 27
VCM Comp Level

Data	Value	Data	Value	Data	Value
0	-∞dB	67	-28.50dB	134	-10.44dB
1	-138.0dB	68	-28.11dB	135	-10.24dB
2	-120.0dB	69	-27.73dB	136	-10.05dB
3	-109.4dB	70	-27.36dB	137	-9.86dB
4	-101.9dB	71	-26.99dB	138	-9.67dB
5	-96.12dB	72	-26.62dB	139	-9.48dB
6	-91.37dB	73	-26.26dB	140	-9.29dB
7	-87.36dB	74	-25.91dB	141	-9.11dB
8	-83.88dB	75	-25.56dB	142	-8.92dB
9	-80.81dB	76	-25.21dB	143	-8.74dB
10	-78.06dB	77	-24.87dB	144	-8.56dB
11	-75.58dB	78	-24.54dB	145	-8.38dB
12	-73.31dB	79	-24.20dB	146	-8.20dB
13	-71.23dB	80	-23.88dB	147	-8.02dB
14	-69.29dB	81	-23.55dB	148	-7.85dB
15	-67.50dB	82	-23.23dB	149	-7.67dB
16	-65.81dB	83	-22.92dB	150	-7.50dB
17	-64.23dB	84	-22.61dB	151	-7.32dB
18	-62.75dB	85	-22.30dB	152	-7.15dB
19	-61.34dB	86	-21.99dB	153	-6.98dB
20	-60.00dB	87	-21.69dB	154	-6.81dB
21	-58.73dB	88	-21.39dB	155	-6.64dB
22	-57.52dB	89	-21.10dB	156	-6.47dB
23	-56.36dB	90	-20.81dB	157	-6.31dB
24	-55.25dB	91	-20.52dB	158	-6.14dB
25	-54.19dB	92	-20.23dB	159	-5.98dB
26	-53.16dB	93	-19.95dB	160	-5.81dB
27	-52.18dB	94	-19.67dB	161	-5.65dB
28	-51.23dB	95	-19.40dB	162	-5.49dB
29	-50.32dB	96	-19.13dB	163	-5.33dB
30	-49.43dB	97	-18.86dB	164	-5.17dB
31	-48.58dB	98	-18.59dB	165	-5.01dB
32	-47.75dB	99	-18.32dB	166	-4.86dB
33	-46.95dB	100	-18.06dB	167	-4.70dB
34	-46.17dB	101	-17.80dB	168	-4.54dB
35	-45.42dB	102	-17.55dB	169	-4.39dB
36	-44.68dB	103	-17.29dB	170	-4.23dB
37	-43.97dB	104	-17.04dB	171	-4.08dB
38	-43.27dB	105	-16.79dB	172	-3.93dB
39	-42.60dB	106	-16.54dB	173	-3.78dB
40	-41.94dB	107	-16.30dB	174	-3.63dB
41	-41.29dB	108	-16.06dB	175	-3.48dB
42	-40.67dB	109	-15.82dB	176	-3.33dB
43	-40.05dB	110	-15.58dB	177	-3.18dB
44	-39.45dB	111	-15.34dB	178	-3.04dB
45	-38.87dB	112	-15.11dB	179	-2.89dB
46	-38.30dB	113	-14.88dB	180	-2.75dB
47	-37.74dB	114	-14.65dB	181	-2.60dB
48	-37.19dB	115	-14.42dB	182	-2.46dB
49	-36.65dB	116	-14.19dB	183	-2.31dB
50	-36.12dB	117	-13.97dB	184	-2.17dB
51	-35.61dB	118	-13.75dB	185	-2.03dB
52	-35.10dB	119	-13.53dB	186	-1.89dB
53	-34.61dB	120	-13.31dB	187	-1.75dB
54	-34.12dB	121	-13.09dB	188	-1.61dB
55	-33.64dB	122	-12.88dB	189	-1.47dB
56	-33.17dB	123	-12.67dB	190	-1.34dB
57	-32.71dB	124	-12.46dB	191	-1.20dB
58	-32.26dB	125	-12.25dB	192	-1.06dB
59	-31.81dB	126	-12.04dB	193	-0.93dB
60	-31.37dB	127	-11.83dB	194	-0.79dB
61	-30.94dB	128	-11.63dB	195	-0.66dB
62	-30.52dB	129	-11.43dB	196	-0.53dB
63	-30.10dB	130	-11.23dB	197	-0.39dB
64	-29.69dB	131	-11.03dB	198	-0.26dB
65	-29.29dB	132	-10.83dB	199	-0.13dB
66	-28.89dB	133	-10.63dB	200	0.00dB

Table 28
VCM Comp Attack Time

Data	Value	Data	Value	Data	Value
0	0.022ms	67	3.295ms	134	18.53ms
1	0.023ms	68	3.418ms	135	18.88ms
2	0.024ms	69	3.544ms	136	19.23ms
3	0.025ms	70	3.673ms	137	19.59ms
4	0.026ms	71	3.805ms	138	19.95ms
5	0.028ms	72	3.940ms	139	20.31ms
6	0.031ms	73	4.077ms	140	20.68ms
7	0.035ms	74	4.217ms	141	21.05ms
8	0.039ms	75	4.361ms	142	21.42ms
9	0.045ms	76	4.507ms	143	21.80ms
10	0.051ms	77	4.656ms	144	22.18ms
11	0.059ms	78	4.807ms	145	22.57ms
12	0.068ms	79	4.962ms	146	22.96ms
13	0.077ms	80	5.120ms	147	23.36ms
14	0.088ms	81	5.281ms	148	23.75ms
15	0.101ms	82	5.445ms	149	24.16ms
16	0.114ms	83	5.611ms	150	24.56ms
17	0.129ms	84	5.781ms	151	24.97ms
18	0.146ms	85	5.954ms	152	25.39ms
19	0.163ms	86	6.130ms	153	25.81ms
20	0.182ms	87	6.309ms	154	26.23ms
21	0.203ms	88	6.491ms	155	26.66ms
22	0.225ms	89	6.677ms	156	27.09ms
23	0.249ms	90	6.865ms	157	27.53ms
24	0.274ms	91	7.057ms	158	27.97ms
25	0.301ms	92	7.252ms	159	28.41ms
26	0.330ms	93	7.450ms	160	28.86ms
27	0.360ms	94	7.651ms	161	29.31ms
28	0.393ms	95	7.855ms	162	29.77ms
29	0.426ms	96	8.063ms	163	30.23ms
30	0.462ms	97	8.274ms	164	30.70ms
31	0.500ms	98	8.489ms	165	31.17ms
32	0.539ms	99	8.706ms	166	31.64ms
33	0.580ms	100	8.927ms	167	32.12ms
34	0.623ms	101	9.151ms	168	32.60ms
35	0.668ms	102	9.379ms	169	33.09ms
36	0.716ms	103	9.610ms	170	33.58ms
37	0.765ms	104	9.844ms	171	34.07ms
38	0.816ms	105	10.09ms	172	34.57ms
39	0.869ms	106	10.33ms	173	35.08ms
40	0.924ms	107	10.57ms	174	35.59ms
41	0.982ms	108	10.82ms	175	36.10ms
42	1.041ms	109	11.07ms	176	36.62ms
43	1.103ms	110	11.33ms	177	37.14ms
44	1.167ms	111	11.59ms	178	37.67ms
45	1.233ms	112	11.85ms	179	38.20ms
46	1.301ms	113	12.11ms	180	38.73ms
47	1.372ms	114	12.38ms	181	39.27ms
48	1.444ms	115	12.66ms	182	39.82ms
49	1.520ms	116	12.93ms	183	40.36ms
50	1.597ms	117	13.21ms	184	40.92ms
51	1.677ms	118	13.50ms	185	41.48ms
52	1.759ms	119	13.78ms	186	42.04ms
53	1.844ms	120	14.07ms	187	42.61ms
54	1.931ms	121	14.37ms	188	43.18ms
55	2.021ms	122	14.67ms	189	43.75ms
56	2.113ms	123	14.97ms	190	44.33ms
57	2.207ms	124	15.27ms	191	44.92ms
58	2.304ms	125	15.58ms	192	45.51ms
59	2.404ms	126	15.90ms	193	46.10ms
60	2.506ms	127	16.21ms	194	46.70ms
61	2.611ms	128	16.53ms	195	47.31ms
62	2.718ms	129	16.86ms	196	47.91ms
63	2.828ms	130	17.18ms	197	48.53ms
64	2.941ms	131	17.52ms	198	49.15ms
65	3.056ms	132	17.85ms	199	49.77ms
66	3.174ms	133	18.19ms	200	50.40ms

Table 29
VCM Comp Release Time

Data	Value	Data	Value	Data	Value
0	10.88ms	67	70.74ms	134	250.30ms
1	10.90ms	68	72.54ms	135	253.88ms
2	10.94ms	69	74.36ms	136	257.50ms
3	11.00ms	70	76.22ms	137	261.14ms
4	11.10ms	71	78.10ms	138	264.80ms
5	11.22ms	72	80.00ms	139	268.50ms
6	11.36ms	73	81.94ms	140	272.22ms
7	11.54ms	74	83.90ms	141	275.96ms
8	11.74ms	75	85.88ms	142	279.74ms
9	11.96ms	76	87.90ms	143	283.54ms
10	12.22ms	77	89.94ms	144	287.36ms
11	12.50ms	78	92.00ms	145	291.22ms
12	12.80ms	79	94.10ms	146	295.10ms
13	13.14ms	80	96.22ms	147	299.00ms
14	13.50ms	81	98.36ms	148	302.94ms
15	13.88ms	82	100.54ms	149	306.90ms
16	14.30ms	83	102.74ms	150	310.88ms
17	14.74ms	84	104.96ms	151	314.90ms
18	15.20ms	85	107.22ms	152	318.94ms
19	15.70ms	86	109.50ms	153	323.00ms
20	16.22ms	87	111.80ms	154	327.10ms
21	16.76ms	88	114.14ms	155	331.22ms
22	17.34ms	89	116.50ms	156	335.36ms
23	17.94ms	90	118.88ms	157	339.54ms
24	18.56ms	91	121.30ms	158	343.74ms
25	19.22ms	92	123.74ms	159	347.96ms
26	19.90ms	93	126.20ms	160	352.22ms
27	20.60ms	94	128.70ms	161	356.50ms
28	21.34ms	95	131.22ms	162	360.80ms
29	22.10ms	96	133.76ms	163	365.14ms
30	22.88ms	97	136.34ms	164	369.50ms
31	23.70ms	98	138.94ms	165	373.88ms
32	24.54ms	99	141.56ms	166	378.30ms
33	25.40ms	100	144.22ms	167	382.74ms
34	26.30ms	101	146.90ms	168	387.20ms
35	27.22ms	102	149.60ms	169	391.70ms
36	28.16ms	103	152.34ms	170	396.22ms
37	29.14ms	104	155.10ms	171	400.76ms
38	30.14ms	105	157.88ms	172	405.34ms
39	31.16ms	106	160.70ms	173	409.94ms
40	32.22ms	107	163.54ms	174	414.56ms
41	33.30ms	108	166.40ms	175	419.22ms
42	34.40ms	109	169.30ms	176	423.90ms
43	35.54ms	110	172.22ms	177	428.60ms
44	36.70ms	111	175.16ms	178	433.34ms
45	37.88ms	112	178.14ms	179	438.10ms
46	39.10ms	113	181.14ms	180	442.88ms
47	40.34ms	114	184.16ms	181	447.70ms
48	41.60ms	115	187.22ms	182	452.54ms
49	42.90ms	116	190.30ms	183	457.40ms
50	44.22ms	117	193.40ms	184	462.30ms
51	45.56ms	118	196.54ms	185	467.22ms
52	46.94ms	119	199.70ms	186	472.16ms
53	48.34ms	120	202.88ms	187	477.14ms
54	49.76ms	121	206.10ms	188	482.14ms
55	51.22ms	122	209.34ms	189	487.16ms
56	52.70ms	123	212.60ms	190	492.22ms
57	54.20ms	124	215.90ms	191	497.30ms
58	55.74ms	125	219.22ms	192	502.40ms
59	57.30ms	126	222.56ms	193	507.54ms
60	58.88ms	127	225.94ms	194	512.70ms
61	60.50ms	128	229.34ms	195	517.88ms
62	62.14ms	129	232.76ms	196	523.10ms
63	63.80ms	130	236.22ms	197	528.34ms
64	65.50ms	131	239.70ms	198	533.60ms
65	67.22ms	132	243.20ms	199	538.90ms
66	68.96ms	133	246.74ms	200	544.22ms

Table 30
VCM EQ Frequency

Data	Value	Data	Value
0	16.0Hz	69	850Hz
1	17.0Hz	70	900Hz
2	18.0Hz	71	950Hz
3	19.0Hz	72	1.00kHz
4	20.0Hz	73	1.06kHz
5	21.2Hz	74	1.12kHz
6	22.4Hz	75	1.18kHz
7	23.6Hz	76	1.25kHz
8	25.0Hz	77	1.32kHz
9	26.5Hz	78	1.40kHz
10	28.0Hz	79	1.50kHz
11	30.0Hz	80	1.60kHz
12	31.5Hz	81	1.70kHz
13	33.5Hz	82	1.80kHz
14	35.5Hz	83	1.90kHz
15	37.5Hz	84	2.00kHz
16	40.0Hz	85	2.12kHz
17	42.5Hz	86	2.24kHz
18	45.0Hz	87	2.36kHz
19	47.5Hz	88	2.50kHz
20	50.0Hz	89	2.65kHz
21	53.0Hz	90	2.80kHz
22	56.0Hz	91	3.00kHz
23	60.0Hz	92	3.15kHz
24	63.0Hz	93	3.35kHz
25	67.0Hz	94	3.55kHz
26	71.0Hz	95	3.75kHz
27	75.0Hz	96	4.00kHz
28	80.0Hz	97	4.25kHz
29	85.0Hz	98	4.50kHz
30	90.0Hz	99	4.75kHz
31	95.0Hz	100	5.00kHz
32	100Hz	101	5.30kHz
33	106Hz	102	5.60kHz
34	112Hz	103	6.00kHz
35	118Hz	104	6.30kHz
36	125Hz	105	6.70kHz
37	132Hz	106	7.10kHz
38	140Hz	107	7.50kHz
39	150Hz	108	8.00kHz
40	160Hz	109	8.50kHz
41	170Hz	110	9.00kHz
42	180Hz	111	9.50kHz
43	190Hz	112	10.0kHz
44	200Hz	113	10.6kHz
45	212Hz	114	11.2kHz
46	224Hz	115	11.8kHz
47	236Hz	116	12.5kHz
48	250Hz	117	13.2kHz
49	265Hz	118	14.0kHz
50	280Hz	119	15.0kHz
51	300Hz	120	16.0kHz
52	315Hz	121	17.0kHz
53	335Hz	122	18.0kHz
54	355Hz	123	19.0kHz
55	375Hz	124	20.0kHz
56	400Hz	125	21.2kHz
57	425Hz	126	22.4kHz
58	450Hz	127	23.6kHz
59	475Hz	128	25.0kHz
60	500Hz	129	26.5kHz
61	530Hz	130	28.0kHz
62	560Hz	131	30.0kHz
63	600Hz	132	31.5kHz
64	630Hz	133	33.5kHz
65	670Hz	134	35.5kHz
66	710Hz	135	37.5kHz
67	750Hz	136	40.0kHz
68	800Hz		

Table 31
VCM EQ Q

Data	Value
0	0.5
1	0.53
2	0.56
3	0.59
4	0.63
5	0.67
6	0.71
7	0.75
8	0.79
9	0.84
10	0.89
11	0.94
12	1
13	1.06
14	1.12
15	1.19
16	1.26
17	1.33
18	1.41
19	1.5
20	1.59
21	1.68
22	1.78
23	1.89
24	2
25	2.12
26	2.24
27	2.38
28	2.52
29	2.67
30	2.83
31	3
32	3.17
33	3.36
34	3.56
35	3.78
36	4
37	4.24
38	4.49
39	4.76
40	5.04
41	5.34
42	5.66
43	5.99
44	6.35
45	6.73
46	7.13
47	7.55
48	8
49	8.48
50	8.98
51	9.51
52	10.08
53	10.68
54	11.31
55	11.99
56	12.7
57	13.45
58	14.25
59	15.1
60	16

Control List

Controller Set Destination

No.	Parameter		Voice	Drum
0	off	Common	O	O
1	Insertion Effect A Parameter 1	:	O	O
	:			
16	Insertion Effect A Parameter 16	:	O	O
17	Insertion Effect B Parameter 1	:	O	O
	:			
32	Insertion Effect B Parameter 16	:	O	O
33	Insertion Effect L Parameter 1	:	O	-
	:			
64	Insertion Effect L Parameter 32	:	O	-
65	Volume	:	O	O
66	Reverb Send	:	O	O
67	Chorus Send	:	O	O
68	Common LFO Speed	:	O	-
69	Common LFO Depth 1	:	O	-
70	Common LFO Depth 2	:	O	-
71	Common LFO Depth 3	:	O	-
72	Portamento Time	:	O	-
73	Element Level	Element	O	-
74	Element Pan	:	O	-
75	Key On Delay Time	:	O	-
76	Element LFO Speed	:	O	-
77	Element LFO PMD	:	O	-
78	Element LFO AMD	:	O	-
79	Element LFO FMD	:	O	-
80	Coarse Tune	:	O	-
81	Fine Tune	:	O	-
82	PEG Depth	:	O	-
83	PEG Hold Time	:	O	-
84	PEG Attack Time	:	O	-
85	PEG Decay 1 Time	:	O	-
86	PEG Decay 2 Time	:	O	-
87	PEG Release Time	:	O	-
88	AEG Attack Time	:	O	-
89	AEG Decay 1 Time	:	O	-
90	AEG Decay 2 Time	:	O	-
91	AEG Release Time	:	O	-
92	FEG Depth	:	O	-
93	FEG Hold Time	:	O	-
94	FEG Attack Time	:	O	-
95	FEG Decay 1 Time	:	O	-
96	FEG Decay 2 Time	:	O	-
97	FEG Release Time	:	O	-
98	Cutoff Frequency	:	O	-
99	Resonance	:	O	-
100	HPF Cutoff Frequency	:	O	-
101	Mono/Poly	Common	O	-

LFO Box Destination

No.	Parameter	
0	Insertion Effect A Parameter 1	Common
	:	
15	Insertion Effect A Parameter 16	:
16	Insertion Effect B Parameter 1	:
	:	
31	Insertion Effect B Parameter 16	:
32	Insertion Effect L Parameter 1	:
	:	
63	Insertion Effect L Parameter 32	:
64	Amplitude Modulation	Element
65	Pitch Modulation	:
66	Filter Modulation	:
67	Resonance	:
68	Element Pan	:
69	Element LFO Speed	:

MIDI Data Format

Many MIDI messages listed in the MIDI Data Format section are expressed in hexadecimal or binary numbers. Hexadecimal numbers may include the letter "H" as a suffix. The letter "n" indicates a certain whole number. The chart below lists the corresponding decimal number for each hexadecimal number.

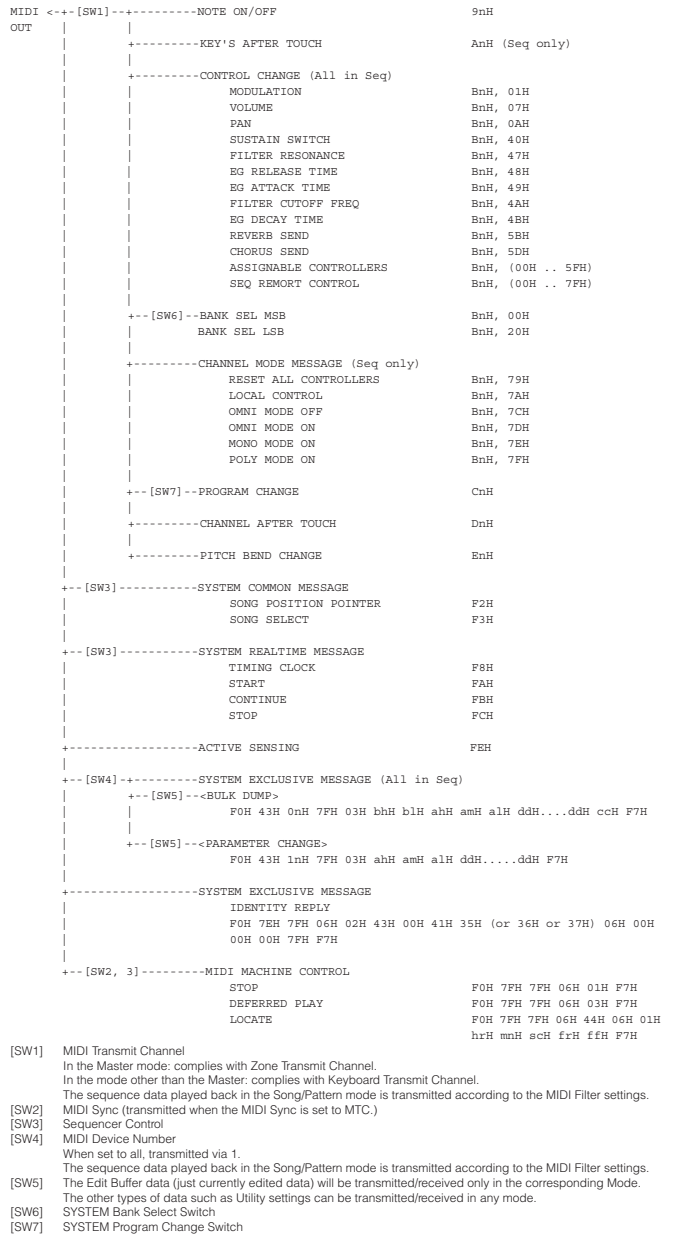
Decimal	Hexadecimal	Decimal	Hexadecimal
0	00	64	40
1	01	65	41
2	02	66	42
3	03	67	43
4	04	68	44
5	05	69	45
6	06	70	46
7	07	71	47
8	08	72	48
9	09	73	49
10	0A	74	4A
11	0B	75	4B
12	0C	76	4C
13	0D	77	4D
14	0E	78	4E
15	0F	79	4F
16	10	80	50
17	11	81	51
18	12	82	52
19	13	83	53
20	14	84	54
21	15	85	55
22	16	86	56
23	17	87	57
24	18	88	58
25	19	89	59
26	1A	90	5A
27	1B	91	5B
28	1C	92	5C
29	1D	93	5D
30	1E	94	5E
31	1F	95	5F
32	20	96	60
33	21	97	61
34	22	98	62
35	23	99	63
36	24	100	64
37	25	101	65
38	26	102	66
39	27	103	67
40	28	104	68
41	29	105	69
42	2A	106	6A
43	2B	107	6B
44	2C	108	6C
45	2D	109	6D
46	2E	110	6E
47	2F	111	6F
48	30	112	70
49	31	113	71
50	32	114	72
51	33	115	73
52	34	116	74
53	35	117	75
54	36	118	76
55	37	119	77
56	38	120	78
57	39	121	79
58	3A	122	7A
59	3B	123	7B
60	3C	124	7C
61	3D	125	7D
62	3E	126	7E
63	3F	127	7F

Additional Notes

- For example, 144 – 159(Decimal)/9nH/1001 0000 – 1001 1111(Binary) indicate the note-on messages for the channels 1 through 16 respectively. 176 – 191/BnH/1011 0000 – 1011 1111 indicate the control change messages for the channels 1 through 16 respectively. 192 – 207/CnH/1100 0000 – 1100 1111 indicate the program change messages for the channels 1 through 16 respectively. 240/FOH/1111 0000 is positioned at the beginning of data to indicate a system exclusive message. 247/F7H/1111 0111 is positioned at the end of the system exclusive message.
- aaH (Hexadecimal)/0aaaaaaa (Binary) indicates the data addresses. The data address consists of High, Mid and Low.
- bbH/0bbbbbbb indicates byte counts.
- ccH/0ccccccc indicates check sums.
- ddH/0ddddddd indicates data/value.

SYNTHSIZER/SEQUENCER PART

(1) TRANSMIT FLOW



(2) RECEIVE FLOW

MIDI>--[SW9]-----	NOTE OFF	8nH
-----	NOTE ON/OFF	9nH
-----	KEY'S AFTER TOUCH	AnH (Seq only)
-----	CONTROL CHANGE (All in Seq)	
MODULATION		BnH, 01H
PORTAMENTO TIME		BnH, 05H
DATA ENTRY MSB		BnH, 06H
DATA ENTRY LSB		BnH, 26H
CHANNEL VOLUME		BnH, 07H
PAN		BnH, 0AH
EXPRESSION		BnH, 0BH
SUSTAIN SWITCH		BnH, 40H
PORTAMENTO SWITCH		BnH, 41H
SOSTENUTO		BnH, 42H
HARMONIC CONTENT		BnH, 47H
EG RELEASE TIME		BnH, 48H
EG ATTACK TIME		BnH, 49H
BRIGHTNESS		BnH, 4AH
EG DECAY TIME		BnH, 4BH
EFFECTS 1 DEPTH		BnH, 5BH
EFFECTS 3 DEPTH		BnH, 5DH
DATA ENTRY INC		BnH, 60H
DATA ENTRY DEC		BnH, 61H
ALL SOUND OFF		BnH, 78H
ASSIGNABLE CONTROLLER		BnH, (00H .. 5FH)
RPN		
PITCH BEND SENS.		BnH, 64H, 00H, 65H, 00H, 06H, mmH
FINE TUNING		BnH, 64H, 01H, 65H, 00H, 06H, mmH, 26H, 11H*1
COARSE TUNING		BnH, 64H, 02H, 65H, 00H, 06H, mmH*1
RPN RESET		BnH, 64H, 7FH, 65H, 7FH
---[SW6]--BANK SEL MSB		BnH, 00H
BANK SEL LSB		BnH, 20H
-----	CHANNEL MODE MESSAGE	
RESET ALL CONTROLLERS		BnH, 79H
OMNI MODE OFF		BnH, 7CH
OMNI MODE ON		BnH, 7DH
MONO MODE ON		BnH, 7EH
POLY MODE ON		BnH, 7FH
---[SW7]--PROGRAM CHANGE		CnH
-----	CHANNEL AFTER TOUCH	DnH
-----	PITCH BEND CHANGE	EnH
---[SW2]-----	SYSTEM COMMON MESSAGE	
MTC QUARTER FRAME MESSAGE		F1H
---[SW3]-----	SYSTEM COMMON MESSAGE	
SONG POSITION POINTER		F2H
SONG SELECT		F3H
---[SW2]-----	SYSTEM REALTIME MESSAGE	
TIMING CLOCK		F8H
---[SW3]-----	SYSTEM REALTIME MESSAGE	
START		FAH
CONTINUE		FBH
STOP		FCH
-----	ACTIVE SENSINGFEH	
---[SW4]-----	SYSTEM EXCLUSIVE MESSAGE (All in Seq)	
MIDI MASTER VOLUME		F0H 7FH 7FH 04H 01H 11H mmH F7H
---[SW8]---<<BULK DUMP>		F0H 43H 0nH 7FH 03H bhH b1H ahH amH a1H ddH....ddH ccH F7H
---[SW5]---<<PARAMETER CHANGE>		F0H 43H 1nH 7FH 03H ahH amH a1H ddH....ddH F7H
---[SW5]---<<BULK DUMP REQUEST>		F0H 43H 2nH 7FH 03H ahH amH a1H ddH....ddH F7H
---[SW5]---<<PARAMETER REQUEST>		F0H 43H 3nH 7FH 03H ahH amH a1H F7H
-----	GM MODE ON	F0H 7EH 7FH 09H 01H F7H
-----	SYSTEM EXCLUSIVE MESSAGE	
IDENTITY REQUEST		F0H 7EH 0nH 06H 01H F7H

[SW2] MIDI Sync (can be set to "internal," "MIDI," or "MTC.")
 [SW3] Seq MIDI Control
 [SW4] MIDI Device Number
 When this is not set to off, the MIDI Master Volume can be recognized in any mode.
 The sequence data played back in the Song/Pattern mode is transmitted according to the MIDI Filter settings.
 The Edit Buffer data of a mode can be recognized in only the current mode.
 [SW5] The other types of data can be transmitted/recognized in any mode.
 [SW6] SYSTEM Bank Select Switch
 [SW7] SYSTEM Program Change Switch (This parameter can be received only in the Voice Play mode.)
 [SW8] SYSTEM Bulk Protect and same as SW6.
 [SW9] MIDI Receive Channel and Receive Filter
 In the Song/Pattern mode: complies with Part Receive Channel and Part Receive Switch.
 In the other mode: complies with Basic Receive Channel.
 The sequence data recorded to the Song/Pattern is recognized according to the MIDI Filter settings.

(3) TRANSMIT/RECEIVE DATA

(3-1) CHANNEL VOICE MESSAGES

(3-1-1) NOTE OFF

STATUS 1000nnnn (8nH) n = 0 - 15 CHANNEL NUMBER
 NOTE No. 0kkkkkkkk k = 0 (C-2) - 127 (G8)
 VELOCITY 0vvvvvvvv v: ignored
 Receive only

(3-1-2) NOTE ON/OFF

STATUS 1001nnnn (9nH) n = 0 - 15 CHANNEL NUMBER
 NOTE NUMBER 0 kkkkkkkk = 0 (C-2) - 127 (G8)
 VELOCITY NOTE ON 0vvvvvvvv (v≠0)
 NOTE OFF 0vvvvvvvv (v=0)

(3-1-3) CONTROL CHANGE

STATUS 1011nnnn (BnH) n = 0 - 15 CHANNEL NUMBER
 CONTROL NUMBER 0ccccccc
 CONTROL VALUE 0vvvvvvvv

***TRANSMITTED CONTROL NUMBER**

c = 0 BANK SEL MSB ; v = 0 - 127
 c = 32 BANK SEL LSB ; v = 0 - 127 *3
 c = 1 MODULATION ; v = 0 - 127 *3
 c = 7 CHANNEL VOLUME ; v = 0 - 127
 c = 10 PAN ; v = 0 - 127
 c = 11 EXPRESSION ; v = 0 - 127
 c = 64 SUSTAIN SWITCH ; v = 0, 127
 c = 71 FILTER RESONANCE ; v = 0: -64 - 64: 0 - 127: +63
 c = 72 EG RELEASE TIME ; v = 0: -64 - 64: 0 - 127: +63
 c = 73 EG ATTACK TIME ; v = 0: -64 - 64: 0 - 127: +63
 c = 74 FILTER CUTOFF FRBQ ; v = 0: -64 - 64: 0 - 127: +63
 c = 75 EG DECAY TIME ; v = 0: -64 - 64: 0 - 127: +63
 c = 91 REVERB SEND ; v = 0, 127
 c = 93 CHORUS SEND ; v = 0, 127
 c = 0..95 ASSIGNABLE CONTROLLERS ; v = 0 - 127
 The Sequencer Part will play back all recorded control change messages.

***RECEIVED CONTROL NUMBER**

c = 0 BANK SEL MSB ; v = 0 - 127 *3
 c = 32 BANK SEL LSB ; v = 0 - 127 *3
 c = 1 MODULATION ; v = 0 - 127
 c = 5 PORTAMENTO TIME ; v = 0 - 127 *2
 c = 6 DATA ENTRY MSB ; v = 0 - 127 *1
 c = 38 DATA ENTRY LSB ; v = 0 - 127 *1
 c = 7 MAIN VOLUME ; v = 0 - 127
 c = 10 PAN ; v = 0 - 127
 c = 11 EXPRESSION ; v = 0 - 127
 c = 64 SUSTAIN SWITCH ; v = 0 - 63: OFF, 64 - 127: ON *2
 c = 65 PORTAMENTO SWITCH ; v = 0 - 63: OFF, 64 - 127: ON *2
 c = 66 SOSTENUTO ; v = 0 - 63: OFF, 64 - 127: ON *2
 c = 71 HARMONIC CONTENT ; v = 0: -64 - 64: 0 - 127: +63
 c = 72 EG RELEASE TIME ; v = 0: -64 - 64: 0 - 127: +63 *2
 c = 73 EG ATTACK TIME ; v = 0: -64 - 64: 0 - 127: +63
 c = 74 BRIGHTNESS ; v = 0: -64 - 64: 0 - 127: +63
 c = 75 EG DECAY TIME ; v = 0: -64 - 64: 0 - 127: +63
 c = 91 EFFECTS 1 DEPTH ; v = 0 - 127
 c = 93 EFFECTS 3 DEPTH ; v = 0 - 127
 c = 96 DATA ENTRY INC ; v = 127 *1
 c = 97 DATA ENTRY DEC ; v = 127 *1
 c = 0..95 ASSIGNABLE CONTROLLER ; v = 0 - 127 *4
 c = 0..95 ARPEGGIO SW ; v = 0-63: OFF, 64-127: ON *4
 c = 0..95 ARPEGGIO HOLD ; v = 0-63: OFF, 64-127: ON *4

All Control Change events can be recorded to the song/pattern.
 *1 Used only when a value is set using RPN.
 *2 Invalid with Drum Voices.
 *3 Relation between BANK CHANGE and PROGRAM is as follows:

CATEGORY	MSB	LSB	PROGRAM No.	
GM Voice	0	0	0..127 (1..128)	
GM Drum Voice	127	0	0 (1)	
Normal Voice Preset 1	63	0	0..127 (1..128)	
Preset 2	63	1	0..127 (1..128)	
Preset 3	63	2	0..127 (1..128)	
Preset 4	63	3	0..127 (1..128)	
Preset 5	63	4	0..127 (1..128)	
Preset 6	63	5	0..127 (1..128)	
Preset 7	63	6	0..127 (1..128)	
Preset 8	63	7	0..127 (1..128)	
User 1	63	8	0..127 (1..128)	
User 2	63	9	0..127 (1..128)	
User 3	63	10	0..127 (1..128)	
Drum Voice Preset	63	32	0..63 (1..64)	
Drum Voice User	63	40	0..31 (1..32)	
Performance User 1	63	64	0..127 (1..128)	
Performance User 2	63	65	0..127 (1..128)	
Performance User 3	63	66	0..127 (1..128)	
Sample Voice	63	50	0..127 (1..128)	*5
Mixing Voice	63	60	0..15 (1..16)	*6

*4 The default CONTROL NUMBERS of ASSIGNABLE CONTROLLER are as follows:

BREATH CONTROLLER 2
 FOOT CONTROLLER 4
 Assign 1 16
 Assign 2 17
 Assignable Function Button 1 86
 Assignable Function Button 2 87
 FOOT SWITCH 88

*5 Can be selected only in the Song/Pattern mode. Up to 128 Sample Voices are available in a Song/Pattern.
 *6 Can be selected only in the Song/Pattern mode. Up to 16 Mixing Voices are available in a Song/Pattern.

PORTAMENTO TIME sets the time it takes for the pitch to reach the next note played when PORTAMENTO SWITCH is set to on.
 PAN position relatively changes according to the preset value for each voice.
 EFFECTS 3 DEPTH controls reverb send level.
 EFFECTS 3 DEPTH controls chorus send level.
 HARMONIC CONTENT adjusts the resonance preset for each voice.
 Setting a value adds to or subtracts from the center value, 64, since it is an offset parameter.
 The larger the value more resonant sound will be produced.
 The effective range may be narrower than the range you can designate depending on the selected voice.
 The parameters, EG ATTACK TIME, EG DECAY TIME, EG SUSTAIN LEVEL, EG RELEASE TIME adjust the envelopes preset for each voice.
 Setting these values add to or subtract from the center value, 64, since these are offset parameters.
 BRIGHTNESS adjusts the cutoff frequency preset for each voice.
 Setting a value adds to or subtracts from the center value, 64, since it is an offset parameter.
 The smaller the value the cutoff frequency will be lowered.
 The effective range may be narrower than the range you can designate depending on the selected voice.
 Bank Select will be actually executed when the Program Change message is received.
 Bank Select and Program Change numbers that are not supported by Yamaha will be ignored.

(3-1-4) PROGRAM CHANGE

STATUS 110nnnn (CnH) n = 0 - 15 CHANNEL NUMBER
 PROGRAM NUMBER 0ppppppp p = 0 - 127

(3-1-5) CHANNEL AFTER TOUCH

STATUS 1101nnnn (DnH) n = 0 - 15 CHANNEL NUMBER
 VALUE 0vvvvvvv v = 0 - 127 AFTER TOUCH VALUE

(3-1-6) PITCH BEND CHANGE

STATUS 1110nnnn (EnH) n = 0 - 15 CHANNEL NUMBER
 LSB 0vvvvvvv PITCH BEND CHANGE LSB
 MSB 0vvvvvvv PITCH BEND CHANGE MSB
 Transmitted with a resolution of 7 bits.

(3-2) CHANNEL MODE MESSAGES

STATUS 1011nnnn (BnH) n = 0 - 15 CHANNEL NUMBER
 CONTROL NUMBER 0ccccccc c = CONTROL NUMBER
 CONTROL VALUE 0vvvvvvv v = DATA VALUE

(3-2-1) ALL SOUND OFF(CONTROL NUMBER = 78H, DATA VALUE = 0)

All the sounds currently played including the channel messages such as note-on and hold-on in a certain channel are muted when receiving this message.

(3-2-2) RESET ALL CONTROLLERS(CONTROL NUMBER = 79H, DATA VALUE = 0)

Resets the values set for the following controllers.
 PITCH BEND CHANGE 0 (center)
 CHANNEL AFTER TOUCH 0 (minimum)
 MODULATION 0 (minimum)
 EXPRESSION 127 (maximum)
 BREATH CONTROLLER 127 (maximum)
 FOOT CONTROLLER 127 (maximum)
 Assign 1 0 (center)
 Assign 2 0 (center)
 SUSTAIN SWITCH 0 (off)
 SOSTENUTO SWITCH 0 (off)
 RPN Not assigned; No change

Doesn't reset the following data:
 PROGRAM CHANGE, BANK SELECT MSB/LSB, VOLUME, PAN, HARMONIC CONTENT, SUSTAIN LEVEL, RELEASE TIME, ATTACK TIME, DECAY TIME, BRIGHTNESS, EFFECT SEND LEVEL 1, EFFECT SEND LEVEL 3, PORTAMENTO SWITCH, PITCH BEND SENSITIVITY, FINE TUNING, COARSE TUNING

(3-2-3) ALL NOTE OFF(CONTROL NUMBER = 7BH, DATA VALUE = 0)

All the notes currently set to on in certain channel(s) are muted when receiving this message. However, if Sustain or Sostenuto is on, notes will continue sounding until these are turned off.

(3-2-4) OMNI MODE OFF(CONTROL NUMBER = 7CH, DATA VALUE = 0)

Performs the same function as when receiving ALL NOTES OFF.
 Sets VOICE RECEIVE CHANNEL to "OMNI OFF" channel 1.

(3-2-5) OMNI MODE ON(CONTROL NUMBER = 7DH, DATA VALUE = 0)

Performs the same function as when receiving ALL NOTES OFF.
 Sets VOICE RECEIVE CHANNEL to "OMNI ON."

(3-2-6) MONO(CONTROL NUMBER = 7EH, DATA VALUE = 0..16)

Performs the same function as when receiving ALL SOUNDS OFF.
 If the 3rd byte (mono) is within 0 through 16, the channel will be Mode 4 (m = 1).
 In the Voice mode, the mode can be Mode 2 (m = 1) according to VOICE RECEIVE CHANNEL.

(3-2-7) POLY(CONTROL NUMBER = 7FH, DATA VALUE = 0)

Performs the same function as when receiving ALL SOUNDS OFF. The channel will be Mode 3.
 In the Voice mode, the mode can be Mode 1 according to VOICE RECEIVE CHANNEL.

(3-3) REGISTERED PARAMETER NUMBER

STATUS 1011nnnn (BnH) n = 0 - 15 CHANNEL NUMBER
 LSB 01100100 (64H)
 RPN LSB 0pppppppp p = RPN LSB (Refer to the table as shown below.)
 MSB 01100101 (65H)
 RPN MSB 0qqqqqqq q = RPN MSB (Refer to the table as shown below.)
 DATA ENTRY MSB 00000110 (06H)
 DATA VALUE 0mmmmmmm m = Data Value
 DATA ENTRY LSB 00100110 (26H)
 DATA VALUE 01111111 1 = Data Value

First, designate the parameter using RPN MSB/LSB numbers. Then, set its value with data entry MSB/LSB.

RPN	D. ENTRY	PARAMETER NAME	DATA RANGE
00H 00H mmH ---	---	PITCH BEND SENSITIVITY	00H - 18H (0 - 24 semitones)
01H 00H mmH 11H	---	MASTER FINE TUNE	{mmH, 11H} = {00H, 00H} - {40H, 00H} - {7FH, 7FH} (-8192*100/8192) - 0 - (+8192*100/8192)
02H 00H mmH ---	---	MASTER COARSE TUNE	28H - 40H - 58H (-24 - 0 - +24 semitones)
7FH 7FH --- ---	---	RPN RESET	

RPN numbers will be left not designated.
 The internal values are not affected.

(3-4) SYSTEM REAL TIME MESSAGES

(3-4-1) ACTIVE SENSING

STATUS 11111110 (FEH)

Transmitted at every 200 msec.
 Once this code is received, the instrument starts sensing.
 When no status nor data is received for over approximately 350 ms, MIDI receiving buffer will be cleared, and the sounds currently played is forcibly turned off.
 Also, the values of the Controllers are reset to the default settings.

(3-5) SYSTEM EXCLUSIVE MESSAGE

(3-5-1) UNIVERSAL NON REALTIME MESSAGE

(3-5-1-1) GENERAL MIDI MODE ON

F0H 7EH 7FH 09H 01H F7H

The internal tone generator block will receive this message when the instrument is in the Song/Pattern mode.

(3-5-1-2) IDENTITY REQUEST (Receive only)

F0H 7EH 0nH 06H 01H F7H
 ("n" = Device No. However, this instrument receives under "omni.")

(3-5-1-3) IDENTITY REPLY (Transmit only)

F0H 7EH 7FH 06H 02H 43H 00H 41H ddH ddH 00H 00H 00H 7FH F7H

dd;Device Number Code
 MOTIF XS6: 35H 06H
 MOTIF XS7: 36H 06H
 MOTIF XS8: 37H 06H

(3-5-2) UNIVERSAL REALTIME MESSAGE

(3-5-2-1) MIDI MASTER VOLUME

F0H 7FH 7FH 04H 01H 11H mmH F7H

Sets the MASTER VOLUME value.
 The value "mm" is used to set the master volume (the value "11" should be ignored).

(3-5-3) PARAMETER CHANGE

(3-5-3-1) NATIVE PARAMETER CHANGE, MODE CHANGE

11110000	F0	Exclusive status
01000011	43	YAMAHA ID
0001nnnn	1n	device Number
01111111	7F	Model ID
00000000	03	Model ID
0aaaaaaaa	aaaaaaaa	Address High
0aaaaaaaa	aaaaaaaa	Address Mid
0aaaaaaaa	aaaaaaaa	Address Low
0ddddd	ddddd	Data
11110111	F7	End of Exclusive

For parameters with data size of 2 or more, the appropriate number of data bytes will be transmitted. See the following MIDI Data Table for Address.

(3-5-4) BULK DUMP

11110000	F0	Exclusive status
01000011	43	YAMAHA ID
0001nnnn	0n	device Number
01111111	7F	Model ID
00000000	03	Model ID
0bbbbbbb	bbbbbbb	Byte Count
0bbbbbbb	bbbbbbb	Byte Count
0aaaaaaaa	aaaaaaaa	Address High
0aaaaaaaa	aaaaaaaa	Address Mid
0aaaaaaaa	aaaaaaaa	Address Low
0	0	Data
0ccccccc	ccccccc	Check-sum
11110111	F7	End of Exclusive

See the following BULK DUMP Table for Address and Byte Count.
 The Check sum is the value that results in a value of 0 for the lower 7 bits when the Byte Count, Start Address, Data and Check sum itself are added.

(3-5-5) DUMP REQUEST

11110000	F0	Exclusive status
01000011	43	YAMAHA ID
0010nnnn	2n	device Number
01111111	7F	Model ID
00000000	03	Model ID
0aaaaaaaa	aaaaaaaa	Address High
0aaaaaaaa	aaaaaaaa	Address Mid
0aaaaaaaa	aaaaaaaa	Address Low
11110111	F7	End of Exclusive

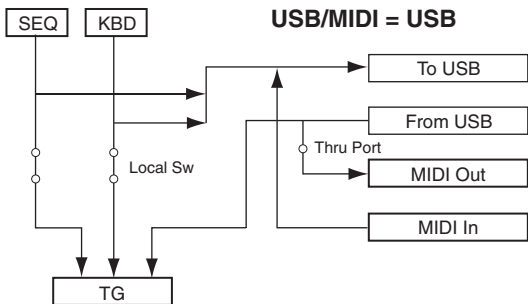
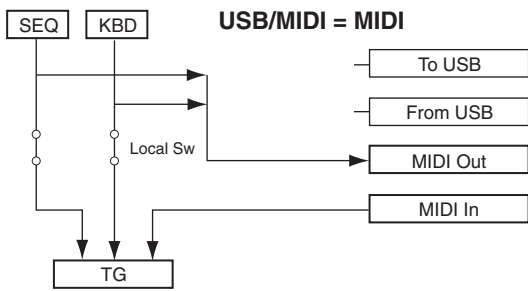
See the following DUMP REQUEST Table for Address and Byte Count.

(3-5-6) PARAMETER REQUEST

11110000	F0	Exclusive status
01000011	43	YAMAHA ID
0011nnnn	3n	device Number
01111111	7F	Model ID
00000000	03	Model ID
0aaaaaaaa	aaaaaaaa	Address High
0aaaaaaaa	aaaaaaaa	Address Mid
0aaaaaaaa	aaaaaaaa	Address Low
11110111	F7	End of Exclusive

See the following MIDI Data Table for Address.

**(4) SYSTEM OVERVIEW
(Keyboard, Sequencer and Tone Generator)**



Although three types of note on/note off data, received via MIDI, played by the internal sequencer and played on the keyboard will be distinguished, the other controllers (channel messages) equally affect the entire notes.

ALL SOUND OFF clears all the sounds in the specific channel(s) played by both the keyboard and the data via MIDI.
ALL NOTES OFF received via MIDI clears the sounds in the specific channel(s) played via MIDI.

MIDI Data Table

Bank Select

Available Bank Select/Program Change

MSB	(HEX)	LSB	(HEX)	Program No.	Type	Memory	Description
0	00	0	00	0 - 127	Normal Voice	GM Voice	
127	7F	0	00	0	Drum Voice	GM Drum	
63	3F	0	00	0 - 127	Normal Voice	Preset 1	
		1	01	0 - 127		Preset 2	
		2	02	0 - 127		Preset 3	
		3	03	0 - 127		Preset 4	
		4	04	0 - 127		Preset 5	
		5	05	0 - 127		Preset 6	
		6	06	0 - 127		Preset 7	
		7	07	0 - 127		Preset 8	
		8	08	0 - 127		User 1	
		9	09	0 - 127		User 2	
		10	0A	0 - 127	User 3		
		32	20	0 - 63	Drum Voice	Preset	
		40	28	0 - 31		User	
		50	32	0 - 127	Sample Voice	User	Can be selected in the Song/Pattern mode.
		60	3C	0 - 15	Mix Part Voice	User	Can be selected in the Song/Pattern mode.
63	3F	64	40	0 - 127	Performance	User 1	
		65	41	0 - 127		User 2	
		66	42	0 - 127		User 3	

When only the Program Change is received after entering any of the mode, the corresponding voice in the currently selected Type/Memory is called up. The Master number and the Performance/Song/Pattern/Voice mode can be changed only via the Parameter Change. The Song/Pattern can be changed only via the Song Select (Song: F3, 00-F3, 3F/Pattern: F3, 00-F3, 3F). In the Performance mode, the Part Voice cannot be changed via the Program Change.

Parameter Base Address

Parameter Block	Top Address			Description	
	H	M	L		
SYSTEM	00	00	00	System	
	00	03	00	Insertion A for Voice A/D	
	00	04	00	Insertion B for Voice A/D	
	00	20	00	Master EQ for Voice	
	00	21	00	Master Effect for Voice	
	00	3n	00	Micro Tuning User Table	
	00	40	00	Audio In Part 1 (A/D)	
	00	41	00	Audio In Part 2 (mLAN)	
	MODE CHANGE	0A	00	00	Mode Change
	PART SET CONTROL for MIX VOICE	0D	00	00	Part Set control for Mix Voice
BULK CONTROL	0E	00	00	Header	
	0F	00	00	Footer	
MASTER KEYBOARD	33	00	00	Common	
	32	00	00	Zone 1	
				:	
	32	07	00	Zone 8	
PERFORMANCE COMMON	30	00	00	Performance Common	
	30	01	00	Reverb	
	30	02	00	Chorus	
	30	03	00	Insertion A	
	30	04	00	Insertion B	
	30	10	00	Master EQ	
	30	11	00	Master Effect	
	30	30	00	ARP	
	PERFORMANCE PART	31	00	00	Part 1
					:
31		03	00	Part 4	
34		00	00	Part 1 additional	
				:	
34		03	00	Part 4 additional	
35		40	00	Audio In Part 1 (A/D)	
35		41	00	Audio In Part 2 (mLAN1)	
NORMAL VOICE COMMON	40	00	00	Common 1	
	40	01	00	Reverb	
	40	02	00	Chorus	
	40	03	00	Insertion A	
	40	04	00	Insertion B	
	40	05	00	Insertion L	
	40	06	00	Controller+LFO	
	40	30	00	ARP	
NORMAL VOICE ELEMENT GROUP 1	41	ee	00	ee: Element No. (0 - 7)	
NORMAL VOICE ELEMENT GROUP 2	42	ee	00	ee: Element No. (0 - 7)	
DRUM COMMON	46	00	00	Common 1	
	46	01	00	Reverb	
	46	02	00	Chorus	
	46	03	00	Insertion A	
	46	04	00	Insertion B	
	46	05	00	Insertion L	
	46	08	00	Controller	
	46	30	00	ARP	
DRUM ELEMENT GROUP 1	47	ee	00	ee: Element No. (0 - 72)	
Multi for Song/Pattern	36	00	00	Multi Common	
	36	01	00	Reverb	
	36	02	00	Chorus	
	36	03	00	Insertion A	
	36	04	00	Insertion B	
	36	10	00	Master EQ	
	36	11	00	Master Effect	
	36	30	00	ARP	
	37	00	00	Part 1	
				:	
	37	0F	00	Part 16	
	38	00	00	Part 1 additional	
				:	
	38	0F	00	Part 16 additional	
	39	40	00	Audio In Part 1 (A/D)	
	39	41	00	Audio In Part 2 (mLAN)	

Bulk Dump Block

"Top Address" indicates the top address of each block designated by bulk dump operation.

"Byte Count" indicates the data size contained in each block designated by bulk dump operation.

The Block from the Bulk Header to the Bulk Footer of the Performance and Voice can be received regardless their order. They can be received even if all of them are not transmitted. They cannot be received if the irrelevant Block is included.

To execute 1 Performance/1 Voice bulk dump request, designate its corresponding Bulk Header address.

When the Multiple Bulk Control Footer is received, the data of Masters, Performances, and Voices will be saved to the Flash ROM.

For the information about "mm" and "nn" shown in the following list, refer to MIDI PARAMETER CHANGE TABLE (BULK CONTROL) below.

Parameter Block	Description	Byte Count		Top Address			
		Dec	Hex	H	M	L	
SYSTEM	System	52	0034	00	00	00	
	Insertion A (for Analog Part)	35	0023	00	03	00	
	Insertion B (for Analog Part)	35	0023	00	04	00	
	Master EQ (for Voice Mode)	20	0014	00	20	00	
	Master Effect (for Voice Mode)	36	0024	00	21	00	
	MICRO TUNING	Table 1	24		00	30	00
		:	8 Blocks	:	:	:	:
	AUDIO IN PART	Table 8	24	0018	00	37	00
		Audio Input (A/D)	8	0008	00	40	00
		Audio Input (mLAN1)	8	0008	00	41	00
MASTER KEYBOARD	Bulk Header	0	00	0E	mm	nn	
	Common	31	001F	33	00	00	
	Zone 1	16	0010	32	00	00	
	:	8 Blocks	:	:	:	:	
	Zone 8	16	0010	32	07	00	
	Bulk Footer	0	00	0F	mm	nn	
PERFORMANCE	Bulk Header	0	00	0E	mm	nn	
	COMMON	Common	81	0051	30	00	00
		Reverb	37	0025	30	01	00
		Chorus	38	0026	30	02	00
		Insertion A (for Analog Part)	35	0023	30	03	00
		Insertion B (for Analog Part)	35	0023	30	04	00
		Master EQ	20	0014	30	10	00
		Master Effect	36	0024	30	11	00
		ARP	13	000D	30	30	00
	PART	Part 1	61	003D	31	00	00
		:	4 Blocks	:	:	:	:
		Part 4	61	003D	31	03	00
		ARP Part 1	66	0042	34	00	00
	AUDIO IN PART	:	4 Blocks	:	:	:	:
		ARP Part 4	66	0042	34	03	00
		Audio In Part 1 (A/D)	8	0008	35	40	00
		Audio In Part 2 (mLAN1)	8	0008	35	41	00
Bulk Footer	0	00	0F	mm	nn		
VOICE (NORMAL)	Bulk Header	0	00	0E	mm	nn	
	COMMON	Common	82	0052	40	00	00
		Reverb	37	0025	40	01	00
		Chorus	38	0026	40	02	00
		Insertion A	35	0023	40	03	00
		Insertion B	35	0023	40	04	00
		Insertion L	67	0043	40	05	00
		Controller + LFO	69	0045	40	06	00
		ARP	79	004F	40	30	00
		ELEMENT 1	Oscillator + Amplitude + Pitch	95	005F	41	00
	Filter + EQ + LFO		70	0046	42	00	00
	ELEMENT 2	Oscillator + Amplitude + Pitch	95	005F	41	01	00
		Filter + EQ + LFO	70	0046	42	01	00
	ELEMENT 3	Oscillator + Amplitude + Pitch	95	005F	41	02	00
		Filter + EQ + LFO	70	0046	42	02	00
	ELEMENT 4	Oscillator + Amplitude + Pitch	95	005F	41	03	00
		Filter + EQ + LFO	70	0046	42	03	00
	ELEMENT 5	Oscillator + Amplitude + Pitch	95	005F	41	04	00
		Filter + EQ + LFO	70	0046	42	04	00
	ELEMENT 6	Oscillator + Amplitude + Pitch	95	005F	41	05	00
		Filter + EQ + LFO	70	0046	42	05	00
	ELEMENT 7	Oscillator + Amplitude + Pitch	95	005F	41	06	00
		Filter + EQ + LFO	70	0046	42	06	00
	ELEMENT 8	Oscillator + Amplitude + Pitch	95	005F	41	07	00
		Filter + EQ + LFO	70	0046	42	07	00
	Bulk Footer	0	00	0F	mm	nn	

Parameter Block	Description	Byte Count		Top Address			
		Dec	Hex	H	M	L	
VOICE (DRUM)	Bulk Header	0	00	0E	mm	nn	
	COMMON	Common	74	004A	46	00	00
		Reverb	37	0025	46	01	00
		Chorus	38	0026	46	02	00
		Insertion A	35	0023	46	03	00
		Insertion B	35	0023	46	04	00
		Insertion L	67	0043	46	05	00
		Controller	30	001E	46	08	00
		ARP	79	004F	46	30	00
	KEY C 0	Key	47	002F	47	00	00
:	73 Blocks	:	:	:	:		
KEY C 6	Key	47	002F	47	48	00	
Bulk Footer	0	00	0F	mm	nn		
MULTI	Bulk Header	0	00	0E	mm	nn	
	COMMON	Common	81	0051	36	00	00
		Reverb	37	0025	36	01	00
		Chorus	38	0026	36	02	00
		Insertion A (for Analog Part)	35	0023	36	03	00
		Insertion B (for Analog Part)	35	0023	36	04	00
		Master EQ	20	0014	36	10	00
		Master Effect	36	0024	36	11	00
		ARP	13	000D	36	30	00
		PART	Part 1	61	003D	37	00
	:		16 Blocks	:	:	:	:
	Part 16		61	003D	37	0F	00
	ARP Part 1		66	0042	38	00	00
	AUDIO IN PART	:	16 Blocks	:	:	:	:
		ARP Part 16	66	0042	38	0F	00
		Audio In Part 1 (A/D)	8	0008	39	40	00
		Audio In Part 2 (mLAN)	8	0008	39	41	00
Bulk Footer	0	00	0F	mm	nn		

MIDI PARAMETER CHANGE TABLE (Mode Change)

Address	Size	Data Range (HEX)	Parameter Name	Description	Default (HEX)	Notes
0A 00 00	1	00 – 7F	Master Number Select	0 – 127	-	
	01	00 – 04	Mode Change	0: Voice, 1: Performance, 2: Pattern (Multi), 3: Song (Multi), 4: Master	-	

MIDI PARAMETER CHANGE TABLE Part Set Control for Mix Voice

Address	Size	Data Range (HEX)	Parameter Name	Description	Default (HEX)	Notes
0D 00 00	1	00 – 0F	Part Set Control for Mix Voice	0 – 15	-	

MIDI PARAMETER CHANGE TABLE (Bulk Control)

Address	Size	Data Range (HEX)	Parameter Name	Description	Default (HEX)	Notes
0E 00 nn	1	-	Bulk Header	Normal Voice PRE 1 (nn = 0 – 127)	-	
	01 nn	-		Normal Voice PRE 2 (nn = 0 – 127)	-	
	02 nn	-		Normal Voice PRE 3 (nn = 0 – 127)	-	
	03 nn	-		Normal Voice PRE 4 (nn = 0 – 127)	-	
	04 nn	-		Normal Voice PRE 5 (nn = 0 – 127)	-	
	05 nn	-		Normal Voice PRE 6 (nn = 0 – 127)	-	
	06 nn	-		Normal Voice PRE 7 (nn = 0 – 127)	-	
	07 nn	-		Normal Voice PRE 8 (nn = 0 – 127)	-	
	09 nn	-		Normal Voice GM (nn = 0 – 127)	-	
	0A nn	-		Normal Voice USER 1 (nn = 0 – 127)	-	
	0B nn	-		Normal Voice USER 2 (nn = 0 – 127)	-	
	0C nn	-		Normal Voice USER 3 (nn = 0 – 127)	-	
	0F nn	-		Normal Voice Edit Buffer (nn = 0)	-	
	20 nn	-		Drum Voice PRE (nn = 0 – 63)	-	
	21 nn	-		Drum Voice GM (nn = 0)	-	
	28 nn	-		Drum Voice USER (nn = 0 – 31)	-	
	29 nn	-		reserved	-	
	2F nn	-		Drum Voice Edit Buffer (nn = 0)	-	
	30 nn	-		Mix Part Voice Edit Buffer (nn = 0 – 15) nn: part	-	
	31 nn	-		Mixing Voice (Current Song/Patt) (nn = 0 – 15) nn: Voice Number	-	
	40 nn	-		Performance INT1 (nn = 0 – 127)	-	
	41 nn	-		Performance INT2 (nn = 0 – 127)	-	
	42 nn	-		Performance INT3 (nn = 0 – 127)	-	
	4F nn	-		Performance Edit Buffer (nn = 0)	-	
	5F nn	-		Multi Edit Buffer (nn = 0)	-	
	70 nn	-		Master INT (nn = 0 – 127)	-	
	7F nn	-		Master Edit Buffer (nn = 0)	-	
0F 00 nn	1	-	Bulk Footer	Normal Voice PRE 1 (nn = 0 – 127)	-	
	01 nn	-		Normal Voice PRE 2 (nn = 0 – 127)	-	
	02 nn	-		Normal Voice PRE 3 (nn = 0 – 127)	-	
	03 nn	-		Normal Voice PRE 4 (nn = 0 – 127)	-	
	04 nn	-		Normal Voice PRE 5 (nn = 0 – 127)	-	
	05 nn	-		Normal Voice PRE 6 (nn = 0 – 127)	-	
	06 nn	-		Normal Voice PRE 7 (nn = 0 – 127)	-	
	07 nn	-		Normal Voice PRE 8 (nn = 0 – 127)	-	
	09 nn	-		Normal Voice GM (nn = 0 – 127)	-	
	0A nn	-		Normal Voice USER 1 (nn = 0 – 127)	-	
	0B nn	-		Normal Voice USER 2 (nn = 0 – 127)	-	
	0C nn	-		Normal Voice USER 3 (nn = 0 – 127)	-	
	0F nn	-		Normal Voice Edit Buffer (nn = 0)	-	
	20 nn	-		Drum Voice PRE (nn = 0 – 63)	-	
	21 nn	-		Drum Voice GM (nn = 0)	-	
	28 nn	-		Drum Voice USER (nn = 0 – 31)	-	
	29 nn	-		reserved	-	
	2F nn	-		Drum Voice Edit Buffer (nn = 0)	-	
	30 nn	-		Mix Part Voice Edit Buffer (nn = 0 – 15) nn: part	-	
	31 nn	-		Mixing Voice (Current Song/Patt) (nn = 0 – 15) nn: Voice Number	-	
	40 nn	-		Performance INT1 (nn = 0 – 127)	-	
	41 nn	-		Performance INT2 (nn = 0 – 127)	-	
	42 nn	-		Performance INT3 (nn = 0 – 127)	-	
	4F nn	-		Performance Edit Buffer (nn = 0)	-	
	5F nn	-		Multi Edit Buffer (nn = 0)	-	
	70 nn	-		Master INT (nn = 0 – 127)	-	
	7F nn	-		Master Edit Buffer (nn = 0)	-	

MIDI PARAMETER CHANGE TABLE (SYSTEM)

Address	Size	Data Range (HEX)	Parameter Name	Description	Notes
00 00 00	1	00 – 7F	Master Volume	0 – 127	MIDI Master Volume
	01	28 – 58	Master Note Shift	-24 – +24 [semitones]	
	02	00 – 0F	Master Tune	-102.4 – +102.3 [cent]	MIDI Master Tuning
		00 – 0F		1st bit 3-0 → bit 15-12	
		00 – 0F		2nd bit 3-0 → bit 11-8	
		00 – 0F		3rd bit 3-0 → bit 7-4	
		00 – 0F		4th bit 3-0 → bit 3-0	
	06	00 – 01	Controller Reset	hold, reset	
	07	35 – 4B	Master Transpose	-11 – +11 (semitones)	
	08	3D – 43	Master Octave Shift	-3 – +3	
	09	00 – 01	Local Switch	off, on	
	0A	00 – 10, 7F	Basic Receive Channel	1 – 16, omni, off	
	0B	00 – 0F, 7F	Keyboard Transmit Channel	1 – 16, off	
	0C	1	reserved		
	0D	00 – 01	Stereo L&R Output Gain	00: 0dB, 01: +6dB	
	0E	00 – 01	Assign Out L&R Output Gain	00: 0dB, 01: +6dB	
	0F	00 – 7F	mLAN Individual Output Gain	bit 0: 0, +6dB 1&2, bit 1: 0, +6dB 3&4, ..., bit 6: 0, +6dB 13&14	
	10	1	reserved		
	11	00 – 04	Keyboard Velocity Curve	norm, soft, hard, wide, fixed	
	12	01 – 7F	Keyboard Fixed Velocity	1 – 127	
	13	1	reserved		
	14	00 – 01	Receive/Transmit Bank Select	off, on	
	15	00 – 01	Receive/Transmit Program Change	off, on	
	16	1	reserved		
	17	1	reserved		
	18	00 – 02	MIDI IN/OUT	MIDI, USB, mLAN	
	19	00 – 03	Effect Bypass for System Effect	bit 0: Reverb, bit 1: Chorus	
	1A	1	reserved		
	1B	1	reserved		
	1C	1	reserved		
	1D	00 – 01	Auto Load Switch	off, on	
	1E	00 – 04	Power on Mode	Performance, Voice (INT), Voice (PRE1), GM, Master	
	1F	00 – 12	Bulk Interval	0 – 900ms	
	20	1	reserved		
	21	1	reserved		
	22	1	reserved		
	23	01 – 02	A/D Input Insertion Connect Type	A->B, B->A	
	24	00 – 01	A/D Input Gain	mic, line	
	25	1	reserved		
	26	1	reserved		
	27	00 – 02	mLAN Monitor Setup	stand alone, with PC, with PC (Direct Monitor)	
	28	00 – 01	ARP MIDI Out Switch	off, on	for Voice Mode
	29	00 – 0F	ARP MIDI Out Channel	1 – 16	:
	2A	00 – 5F	RB Control Number	off, 1 – 95	
	2B	00 – 65	FS Assign	off, 1 – 95, ArpSw, Play/Stop, PCInc, PCDec, OctaveReset	
	2C	00 – 5F	Assign1 Control Number	off, 1 – 95	
	2D	00 – 5F	Assign2 Control Number	off, 1 – 95	
	2E	00 – 5F	BC Control Number	off, 1 – 95	
	2F	00 – 5F	FC1 Control Number	off, 1 – 95	
	30	00 – 5F	FC2 Control Number	off, 1 – 95	
	31	00 – 5F	Assignable Button 1 Assign	off, 1 – 95	
	32	00 – 5F	Assignable Button 2 Assign	off, 1 – 95	
	33	00 – 02	Sustain Pedal Select	FC3 (Half On), FC3 (Half Off), FC4/5	

TOTAL SIZE = 52 34 (HEX)

Address	Size	Data Range (HEX)	Parameter Name	Description	Notes
00 pp 00	1	00 – 03	Audio Input Mode	L mono, R mono, L+R mono, stereo	
	01	00 – 7F	Audio Input Part Volume	0 – 127	
	02	01 – 7F	Audio Input Part Pan	L63 – C – R63	
	03	00 – 7F	Audio Input Part Reverb Send	0 – 127	
	04	00 – 7F	Audio Input Part Chorus Send	0 – 127	
	05	00 – 7F	reserved		
	06	00 – 7F	Audio Input Part Dry Level	0 – 127	

Address	Size	Data Range (HEX)	Parameter Name	Description	Notes
07	1	00 - 4F	Audio Input Part Output Select	0: L&R 8: asnL&R 9-15: mLAN1&2, ..., mLAN13&14 64-79: asnL, asnR, mLAN1, ..., mLAN14 112: insL	The mLAN input Part Output Select cannot be set to "112: insL."

TOTAL SIZE = 8 08 (HEX)

pp = part number
40 - 41 Audio In Part (A/D, mLAN)

Address	Size	Data Range (HEX)	Parameter Name	Description	Notes
00 03 00	2	00 - 7F 00 - 7F	Insertion-A Type MSB Insertion-A Type LSB	Refer to "Effect Parameter List."	for A/D
02	1	00 - 7F	Template Number		for A/D
03	2	00 - 7F 00 - 7F	Insertion-A Parameter 1 MSB Insertion-A Parameter 1 LSB	:	for A/D
05	2	00 - 7F 00 - 7F	Insertion-A Parameter 2 MSB Insertion-A Parameter 2 LSB	:	for A/D
07	2	00 - 7F 00 - 7F	Insertion-A Parameter 3 MSB Insertion-A Parameter 3 LSB	:	for A/D
09	2	00 - 7F 00 - 7F	Insertion-A Parameter 4 MSB Insertion-A Parameter 4 LSB	:	for A/D
0A	2	00 - 7F 00 - 7F	Insertion-A Parameter 5 MSB Insertion-A Parameter 5 LSB	:	for A/D
0D	2	00 - 7F 00 - 7F	Insertion-A Parameter 6 MSB Insertion-A Parameter 6 LSB	:	for A/D
0F	2	00 - 7F 00 - 7F	Insertion-A Parameter 7 MSB Insertion-A Parameter 7 LSB	:	for A/D
11	2	00 - 7F 00 - 7F	Insertion-A Parameter 8 MSB Insertion-A Parameter 8 LSB	:	for A/D
13	2	00 - 7F 00 - 7F	Insertion-A Parameter 9 MSB Insertion-A Parameter 9 LSB	:	for A/D
15	2	00 - 7F 00 - 7F	Insertion-A Parameter 10 MSB Insertion-A Parameter 10 LSB	:	for A/D
17	2	00 - 7F 00 - 7F	Insertion-A Parameter 11 MSB Insertion-A Parameter 11 LSB	:	for A/D
19	2	00 - 7F 00 - 7F	Insertion-A Parameter 12 MSB Insertion-A Parameter 12 LSB	:	for A/D
1B	2	00 - 7F 00 - 7F	Insertion-A Parameter 13 MSB Insertion-A Parameter 13 LSB	:	for A/D
1D	2	00 - 7F 00 - 7F	Insertion-A Parameter 14 MSB Insertion-A Parameter 14 LSB	:	for A/D
1F	2	00 - 7F 00 - 7F	Insertion-A Parameter 15 MSB Insertion-A Parameter 15 LSB	:	for A/D
21	2	00 - 7F 00 - 7F	Insertion-A Parameter 16 MSB Insertion-A Parameter 16 LSB	:	for A/D

TOTAL SIZE = 35 23 (HEX)

Address	Size	Data Range (HEX)	Parameter Name	Description	Notes
00 04 00	2	00 - 7F 00 - 7F	Insertion-B Type MSB Insertion-B Type LSB	Refer to "Effect Parameter List."	for A/D
02	1	00 - 7F	Template Number		for A/D
03	2	00 - 7F 00 - 7F	Insertion-B Parameter 1 MSB Insertion-B Parameter 1 LSB	:	for A/D
05	2	00 - 7F 00 - 7F	Insertion-B Parameter 2 MSB Insertion-B Parameter 2 LSB	:	for A/D
07	2	00 - 7F 00 - 7F	Insertion-B Parameter 3 MSB Insertion-B Parameter 3 LSB	:	for A/D
09	2	00 - 7F 00 - 7F	Insertion-B Parameter 4 MSB Insertion-B Parameter 4 LSB	:	for A/D
0A	2	00 - 7F 00 - 7F	Insertion-B Parameter 5 MSB Insertion-B Parameter 5 LSB	:	for A/D
0D	2	00 - 7F 00 - 7F	Insertion-B Parameter 6 MSB Insertion-B Parameter 6 LSB	:	for A/D
0F	2	00 - 7F 00 - 7F	Insertion-B Parameter 7 MSB Insertion-B Parameter 7 LSB	:	for A/D
11	2	00 - 7F 00 - 7F	Insertion-B Parameter 8 MSB Insertion-B Parameter 8 LSB	:	for A/D
13	2	00 - 7F 00 - 7F	Insertion-B Parameter 9 MSB Insertion-B Parameter 9 LSB	:	for A/D
15	2	00 - 7F 00 - 7F	Insertion-B Parameter 10 MSB Insertion-B Parameter 10 LSB	:	for A/D
17	2	00 - 7F 00 - 7F	Insertion-B Parameter 11 MSB Insertion-B Parameter 11 LSB	:	for A/D
19	2	00 - 7F 00 - 7F	Insertion-B Parameter 12 MSB Insertion-B Parameter 12 LSB	:	for A/D
1B	2	00 - 7F 00 - 7F	Insertion-B Parameter 13 MSB Insertion-B Parameter 13 LSB	:	for A/D
1D	2	00 - 7F 00 - 7F	Insertion-B Parameter 14 MSB Insertion-B Parameter 14 LSB	:	for A/D
1F	2	00 - 7F 00 - 7F	Insertion-B Parameter 15 MSB Insertion-B Parameter 15 LSB	:	for A/D
21	2	00 - 7F 00 - 7F	Insertion-B Parameter 16 MSB Insertion-B Parameter 16 LSB	:	for A/D

TOTAL SIZE = 35 23 (HEX)

Address	Size	Data Range (HEX)	Parameter Name	Description	Notes
00 20 00	1	34 - 4C	EQ Gain 1	-12 - +12 [dB]	for Voice Mode
01	1	04 - 2B	EQ Frequency 1	32 - 2000 [Hz]	:
02	1	01 - 78	EQ Q1	0.1 - 12.0	:
03	1	00 - 01	EQ Shape 1	shelv, peak	:
04	1	34 - 4C	EQ Gain 2	-12 - +12 [dB]	:
05	1	0E - 36	EQ Frequency 2	100 - 10.0 [kHz]	:
06	1	01 - 78	EQ Q2	0.1 - 12.0	:
1	01	reserved			:
08	1	34 - 4C	EQ Gain 3	-12 - +12 [dB]	:
09	1	0E - 36	EQ Frequency 3	100 - 10.0 [kHz]	:
0A	1	01 - 78	EQ Q3	0.1 - 12.0	:
1	reserved				:
0C	1	34 - 4C	EQ Gain 4	-12 - +12 [dB]	:
0D	1	0E - 36	EQ Frequency 4	100 - 10.0 [kHz]	:
0E	1	01 - 78	EQ Q4	0.1 - 12.0	:
1	reserved				:
10	1	34 - 4C	EQ Gain 5	-12 - +12 [dB]	:
11	1	1C - 3A	EQ Frequency 5	0.5 - 16.0 [kHz]	:
12	1	01 - 78	EQ Q5	0.1 - 12.0	:
13	1	00 - 01	EQ Shape 5	shelv, peak	:

TOTAL SIZE = 20 14 (HEX)

Address	Size	Data Range (HEX)	Parameter Name	Description	Notes
00 21 00	2	00 - 7F 00 - 7F	Master Effect Type MSB Master Effect Type LSB	Refer to "Effect Parameter List."	for Voice Mode
02	1	00 - 7F	Template Number		
03	2	00 - 7F 00 - 7F	Master Effect Parameter 1 MSB Master Effect Parameter 1 LSB	:	:
05	2	00 - 7F 00 - 7F	Master Effect Parameter 2 MSB Master Effect Parameter 2 LSB	:	:
07	2	00 - 7F 00 - 7F	Master Effect Parameter 3 MSB Master Effect Parameter 3 LSB	:	:
09	2	00 - 7F 00 - 7F	Master Effect Parameter 4 MSB Master Effect Parameter 4 LSB	:	:
0B	2	00 - 7F 00 - 7F	Master Effect Parameter 5 MSB Master Effect Parameter 5 LSB	:	:
0D	2	00 - 7F 00 - 7F	Master Effect Parameter 6 MSB Master Effect Parameter 6 LSB	:	:
0F	2	00 - 7F 00 - 7F	Master Effect Parameter 7 MSB Master Effect Parameter 7 LSB	:	:
11	2	00 - 7F 00 - 7F	Master Effect Parameter 8 MSB Master Effect Parameter 8 LSB	:	:
13	2	00 - 7F 00 - 7F	Master Effect Parameter 9 MSB Master Effect Parameter 9 LSB	:	:
15	2	00 - 7F 00 - 7F	Master Effect Parameter 10 MSB Master Effect Parameter 10 LSB	:	:
17	2	00 - 7F 00 - 7F	Master Effect Parameter 11 MSB Master Effect Parameter 11 LSB	:	:
19	2	00 - 7F 00 - 7F	Master Effect Parameter 12 MSB Master Effect Parameter 12 LSB	:	:
1B	2	00 - 7F 00 - 7F	Master Effect Parameter 13 MSB Master Effect Parameter 13 LSB	:	:
1D	2	00 - 7F 00 - 7F	Master Effect Parameter 14 MSB Master Effect Parameter 14 LSB	:	:
1F	2	00 - 7F 00 - 7F	Master Effect Parameter 15 MSB Master Effect Parameter 15 LSB	:	:
21	2	00 - 7F 00 - 7F	Master Effect Parameter 16 MSB Master Effect Parameter 16 LSB	:	:
23	1	00 - 01	Master Effect ON/OFF	0: Off, 1:On	:

TOTAL SIZE = 36 24 (HEX)

Address	Size	Data Range (HEX)	Parameter Name	Description	Notes
00 3n 00	2	1C - E4	Micro Tuning C	-100 - 0 - +100 [cent] 1st: 00h - 01h 2nd: 00h - 7Fh	
02	2	1C - E4	Micro Tuning C#	:	
04	2	1C - E4	Micro Tuning D	:	
06	2	1C - E4	Micro Tuning D#	:	
08	2	1C - E4	Micro Tuning E	:	
0A	2	1C - E4	Micro Tuning F	:	
0C	2	1C - E4	Micro Tuning F#	:	
0E	2	1C - E4	Micro Tuning G	:	
10	2	1C - E4	Micro Tuning G#	:	
12	2	1C - E4	Micro Tuning A	:	
14	2	1C - E4	Micro Tuning A#	:	
16	2	1C - E4	Micro Tuning B	:	

TOTAL SIZE = 24 18 (HEX)

n = user table number
00 - 07 Table 1 - 8

**MIDI PARAMETER CHANGE TABLE
(MASTER KEYBOARD)**

Address	Size	Data Range (HEX)	Parameter Name	Description	Notes
33 00 00	1	00, 20 - 7E	Master Name 1	0, 32 - 126 (ASCII)	
33 00 01	1	00, 20 - 7E	Master Name 2	0, 32 - 126 (ASCII)	
33 00 02	1	00, 20 - 7E	Master Name 3	0, 32 - 126 (ASCII)	
33 00 03	1	00, 20 - 7E	Master Name 4	0, 32 - 126 (ASCII)	
33 00 04	1	00, 20 - 7E	Master Name 5	0, 32 - 126 (ASCII)	
33 00 05	1	00, 20 - 7E	Master Name 6	0, 32 - 126 (ASCII)	
33 00 06	1	00, 20 - 7E	Master Name 7	0, 32 - 126 (ASCII)	
33 00 07	1	00, 20 - 7E	Master Name 8	0, 32 - 126 (ASCII)	
33 00 08	1	00, 20 - 7E	Master Name 9	0, 32 - 126 (ASCII)	
33 00 09	1	00, 20 - 7E	Master Name 10	0, 32 - 126 (ASCII)	
33 00 0A	1	00, 20 - 7E	Master Name 11	0, 32 - 126 (ASCII)	
33 00 0B	1	00, 20 - 7E	Master Name 12	0, 32 - 126 (ASCII)	
33 00 0C	1	00, 20 - 7E	Master Name 13	0, 32 - 126 (ASCII)	
33 00 0D	1	00, 20 - 7E	Master Name 14	0, 32 - 126 (ASCII)	
33 00 0E	1	00, 20 - 7E	Master Name 15	0, 32 - 126 (ASCII)	
33 00 0F	1	00, 20 - 7E	Master Name 16	0, 32 - 126 (ASCII)	
33 00 10	1	00, 20 - 7E	Master Name 17	0, 32 - 126 (ASCII)	
33 00 11	1	00, 20 - 7E	Master Name 18	0, 32 - 126 (ASCII)	
33 00 12	1	00, 20 - 7E	Master Name 19	0, 32 - 126 (ASCII)	
33 00 13	1	00, 20 - 7E	Master Name 20	0, 32 - 126 (ASCII)	
33 00 14	1		reserved		
33 00 15	1		reserved		
33 00 16	1		reserved		
33 00 17	1		reserved		
33 00 18	1		reserved		
33 00 19	1	00 - 03	Mode Change	0=Voice 1=Performance 2=Pattern 3=Song	
33 00 1A	1	00 - 7F	Bank MSB for Voice/Perf Mode	0 - 127	
33 00 1B	1	00 - 7F	Bank LSB for Voice/Perf Mode	0 - 127	
33 00 1C	1	00 - 7F	Program Number	1 - 128	
33 00 1D	1	00 - 01	Zone on/off	off, on	
33 00 1E	1	00 - 06	Knob/Slider Function Select	0=Tone1, 1=Tone2 2=ARP, 3=REV 4=CHO, 5=PAN 6=Zone	

TOTAL SIZE = 31 1F (HEX)

Address	Size	Data Range (HEX)	Parameter Name	Description	Notes
32 nn 00	1	00 - 3F	Transmit Channel, MIDI/TG Switch	bit 0 - 3: Ch1 - 16 bit 4: MIDI off, on bit 5: TG off, on	
32 nn 01	1	3D - 43	Transpose (Octave)	-3 - +3	
32 nn 02	1	35 - 4B	Transpose (Semitone)	-11 - +11 (semitones)	
32 nn 03	1	00 - 7F	Note Limit Low	C-2 - G8	
32 nn 04	1	00 - 7F	Note Limit High	C-2 - G8	
32 nn 05	1		reserved		
32 nn 06	1	00 - 7F	MIDI Volume	0 - 127	
32 nn 07	1	00 - 7F	MIDI Pan	0 - 127	
32 nn 08	1	00 - 7F	MIDI Bank MSB	0 - 127	
32 nn 09	1	00 - 7F	MIDI Bank LSB	0 - 127	
32 nn 0A	1	00 - 7F	MIDI Program Number	1 - 128	
32 nn 0B	1	00 - 1F	Transmit Bank Select for TG Transmit Program Change for TG Transmit Bank Select for MIDI Transmit Program Change for MIDI Transmit RB	bit 0: off, on Bank Select bit 1: off, on Program Change bit 3: off, on Bank Select bit 4: off, on Program Change bit 2: off, on RB	
32 nn 0C	1	00 - 7F	Transmit Volume/Expression Transmit Pan Transmit Sustain Transmit Assignable Button 1 Transmit Assignable Button 2 Transmit AT Transmit PB	bit 0: off, on Volume/ Expression bit 1: off, on Pan bit 2: off, on Sustain bit 3: off, on Assignable Button 1 bit 4: off, on Assignable Button 2 bit 5: off, on AT bit 6: off, on PB	Ctrl#7, 11
32 nn 0D	1	00 - 7F	Transmit FC2 Transmit FS Transmit FC1 Transmit BC Transmit MW Transmit Assignable Slider Transmit Assignable Knob	bit 0: off, on FC2 bit 1: off, on FS bit 2: off, on FC1 bit 3: off, on BC bit 4: off, on MW bit 5: off, on Assignable Slider bit 6: off, on Assignable Knob	
32 nn 0E	1	00 - 5F	Control Slider Control Number	off, 1 - 95	
32 nn 0F	1	00 - 5F	Control knob Control Number	off, 1 - 95	

TOTAL SIZE = 16 10 (HEX)

nn = zone number 00 - 07

**MIDI PARAMETER CHANGE TABLE
(PERFORMANCE COMMON)**

Address	Size	Data Range (HEX)	Parameter Name	Description	Notes
30 00 00	1	00, 20 - 7E	Performance Name 1	0, 32 - 126 (ASCII)	
01 01	1	00, 20 - 7E	Performance Name 2	0, 32 - 126 (ASCII)	
02 02	1	00, 20 - 7E	Performance Name 3	0, 32 - 126 (ASCII)	
03 03	1	00, 20 - 7E	Performance Name 4	0, 32 - 126 (ASCII)	
04 04	1	00, 20 - 7E	Performance Name 5	0, 32 - 126 (ASCII)	
05 05	1	00, 20 - 7E	Performance Name 6	0, 32 - 126 (ASCII)	
06 06	1	00, 20 - 7E	Performance Name 7	0, 32 - 126 (ASCII)	
07 07	1	00, 20 - 7E	Performance Name 8	0, 32 - 126 (ASCII)	
08 08	1	00, 20 - 7E	Performance Name 9	0, 32 - 126 (ASCII)	
09 09	1	00, 20 - 7E	Performance Name 10	0, 32 - 126 (ASCII)	
0A 0A	1	00, 20 - 7E	Performance Name 11	0, 32 - 126 (ASCII)	
0B 0B	1	00, 20 - 7E	Performance Name 12	0, 32 - 126 (ASCII)	
0C 0C	1	00, 20 - 7E	Performance Name 13	0, 32 - 126 (ASCII)	
0D 0D	1	00, 20 - 7E	Performance Name 14	0, 32 - 126 (ASCII)	
0E 0E	1	00, 20 - 7E	Performance Name 15	0, 32 - 126 (ASCII)	
0F 0F	1	00, 20 - 7E	Performance Name 16	0, 32 - 126 (ASCII)	
10 10	1	00, 20 - 7E	Performance Name 17	0, 32 - 126 (ASCII)	
11 11	1	00, 20 - 7E	Performance Name 18	0, 32 - 126 (ASCII)	
12 12	1	00, 20 - 7E	Performance Name 19	0, 32 - 126 (ASCII)	
13 13	1	00, 20 - 7E	Performance Name 20	0, 32 - 126 (ASCII)	
14 14	1		reserved		
15 15	1		reserved		
16 16	1		reserved		
17 17	1		reserved		
18 18	1	00 - 07	Performance Category 1 (Main)	0 - 7	Rock, R&B, Elect, Jazz, World, Splyr, FX, NoAsg
19 19	1	00 - 0A	Performance Category 1 (Sub)	0 - 10	Refer to "Category List."
1A 1A	1		reserved		
1B 1B	1		reserved		
1C 1C	1		reserved		
1D 1D	1		reserved		
30 00 1E	1	00 - 05	Knob Function Select	0=Tone1, 1=Tone2, 2=ARP FX, 3=REV, 4=CHO, 5=PAN	
1F 1F	1	01 - 7F	Pan	L63 - C - R63	
20 20	1		reserved		
21 21	1	00 - 7F	AEG Attack Time	-64 - +63	
22 22	1	00 - 7F	AEG Decay Time	-64 - +63	
23 23	1	00 - 7F	AEG Sustain Level	-64 - +63	
24 24	1	00 - 7F	AEG Release Time	-64 - +63	
25 25	1	01 - 7F	FEG Attack Time	-64 - +63	
26 26	1	01 - 7F	FEG Decay Time	-64 - +63	
27 27	1		reserved		
28 28	1	00 - 7F	FEG Release Time	-64 - +63	
29 29	1	00 - 7F	FEG Depth	-64 - +63	
2A 2A	1	00 - 7F	Cutoff Frequency	-64 - +63	
2B 2B	1	00 - 7F	Resonance	-64 - +63	
2C 2C	1		reserved		
2D 2D	1		reserved		
2E 2E	1	00 - 7F	EQ Low Frequency	-64 - +63	
2F 2F	1	00 - 7F	EQ Low Gain	-64 - +63	
30 30	1		reserved		
31 31	1	00 - 7F	EQ Mid Frequency	-64 - +63	
32 32	1	00 - 7F	EQ Mid Gain	-64 - +63	
33 33	1	00 - 7F	EQ Mid Q	-64 - +63	
34 34	1		reserved		
35 35	1	00 - 7F	EQ High Frequency	-64 - +63	
36 36	1	00 - 7F	EQ High Gain	-64 - +63	
37 37	1		reserved		
38 38	1	00 - 7F	Volume	0 - 127	
39 39	1	00 - 7F	Portamento Time	-64 - +63	
3A 3A	1	00 - 01	Portamento Switch	off, on	
3B 3B	1	00 - 7F	Reverb Send	0 - 127	
3C 3C	1	00 - 7F	Chorus Send	0 - 127	
30 00 3D	1	00 - 7F	Assignable Knob 1 Value	-64 - +63	
3E 3E	1	00 - 7F	Assignable Knob 2 Value	-64 - +63	
3F 3F	1	00 - 01	Assignable Button 1 Mode	momentary, latch	
40 40	1	00 - 01	Assignable Button 2 Mode	momentary, latch	
41 41	1	00 - 01	RB Mode	hold, reset	
42 42	1		reserved		
43 43	1	00 - 5F	RB Control Number	off, 1 - 95	
44 44	1	00 - 65	FS Assign	off, 1 - 95, ArpSw, Play/Stop, PCInc, PCDec, OctaveReset	
45 45	1	00 - 5F	Assign 1 Control Number	off, 1 - 95	
46 46	1	00 - 5F	Assign 2 Control Number	off, 1 - 95	
47 47	1	00 - 5F	BC Control Number	off, 1 - 95	
48 48	1	00 - 5F	FC1 Control Number	off, 1 - 95	
49 49	1	00 - 5F	FC2 Control Number	off, 1 - 95	

Address	Size	Data Range (HEX)	Parameter Name	Description	Notes
4A	1	00 - 5F	Assignable Button 1 Assign	off, 1 - 95	
4B	1	00 - 5F	Assignable Button 2 Assign	off, 1 - 95	
4C	1	01 - 02	Analog Insertion Connect Type	A->B, B->A	
4D	4	00	Insertion Part Sw		
		00 - 7F		bit 0: off, on reserved bit 1: off, on reserved bit 2: off, on reserved bit 3: off, on reserved bit 4: off, on reserved bit 5: off, on A/D Part bit 6: off, on reserved	
		00 - 7F		bit 0: off, on reserved bit 1: off, on reserved bit 2: off, on reserved bit 3: off, on reserved bit 4: off, on reserved bit 5: off, on reserved bit 6: off, on reserved	
		00 - 7F		bit 0: off, on Part 1 bit 1: off, on Part 2 bit 2: off, on Part 3 bit 3: off, on Part 4 bit 4: off, on reserved bit 5: off, on reserved bit 6: off, on reserved	

TOTAL SIZE = 81 51 (HEX)

Address	Size	Data Range (HEX)	Parameter Name	Description	Notes
30 30 00	1	00 - 04	ARP SF Select	SF1 - SF5	
	2	0005 - 022C	ARP Tempo MSB ARP Tempo LSB	5 - 300	
	1	00 - 01	ARP Switch	off, on	
	1	00 - 07	ARP Synchro Quantize Value	off, 32th, 16th Triplet, 16th, 8th Triplet, 8th, 4th Triplet, 4th	
	2	001C - 0164	ARP Quantize Strength Offset MSB ARP Quantize Strength Offset LSB	-100 - +100	
	2	001C - 0164	ARP Gate Time Rate Offset MSB ARP Gate Time Rate Offset LSB	-100 - +100	
	2	001C - 0164	ARP Velocity Rate Offset MSB ARP Velocity Rate Offset LSB	-100 - +100	
	2	0008 - 0178	ARP Swing Offset MSB ARP Swing Offset LSB	-120 - +120	

TOTAL SIZE = 13 0D (HEX)

Address	Size	Data Range (HEX)	Parameter Name	Description	Notes
30 01 00	2	00 - 7F 00 - 7F	Reverb Type MSB Reverb Type LSB	Refer to "Effect Parameter List."	
	1	00 - 7F	Template Number		
	2	00 - 7F 00 - 7F	Reverb Parameter 1 MSB Reverb Parameter 1 LSB	:	
	2	00 - 7F 00 - 7F	Reverb Parameter 2 MSB Reverb Parameter 2 LSB	:	
	2	00 - 7F 00 - 7F	Reverb Parameter 3 MSB Reverb Parameter 3 LSB	:	
	2	00 - 7F 00 - 7F	Reverb Parameter 4 MSB Reverb Parameter 4 LSB	:	
	2	00 - 7F 00 - 7F	Reverb Parameter 5 MSB Reverb Parameter 5 LSB	:	
	2	00 - 7F 00 - 7F	Reverb Parameter 6 MSB Reverb Parameter 6 LSB	:	
	2	00 - 7F 00 - 7F	Reverb Parameter 7 MSB Reverb Parameter 7 LSB	:	
	2	00 - 7F 00 - 7F	Reverb Parameter 8 MSB Reverb Parameter 8 LSB	:	
	2	00 - 7F 00 - 7F	Reverb Parameter 9 MSB Reverb Parameter 9 LSB	:	
	2	00 - 7F 00 - 7F	Reverb Parameter 10 MSB Reverb Parameter 10 LSB	:	
	2	00 - 7F 00 - 7F	Reverb Parameter 11 MSB Reverb Parameter 11 LSB	:	
	2	00 - 7F 00 - 7F	Reverb Parameter 12 MSB Reverb Parameter 12 LSB	:	
	2	00 - 7F 00 - 7F	Reverb Parameter 13 MSB Reverb Parameter 13 LSB	:	
	2	00 - 7F 00 - 7F	Reverb Parameter 14 MSB Reverb Parameter 14 LSB	:	
	2	00 - 7F 00 - 7F	Reverb Parameter 15 MSB Reverb Parameter 15 LSB	:	
	2	00 - 7F 00 - 7F	Reverb Parameter 16 MSB Reverb Parameter 16 LSB	:	
30 01 23	1	00 - 7F	Reverb Return	--dB - 0dB - +6dB (0 - 96 - 127)	
30 01 24	1	01 - 7F	Reverb Pan	L63 - C - R63	

TOTAL SIZE = 37 25 (HEX)

Address	Size	Data Range (HEX)	Parameter Name	Description	Notes
30 02 00	2	00 - 7F 00 - 7F	Chorus Type MSB Chorus Type LSB	Refer to "Effect Parameter List."	
	1	00 - 7F	Template Number		
	2	00 - 7F 00 - 7F	Chorus Parameter 1 MSB Chorus Parameter 1 LSB	:	
	2	00 - 7F 00 - 7F	Chorus Parameter 2 MSB Chorus Parameter 2 LSB	:	
	2	00 - 7F 00 - 7F	Chorus Parameter 3 MSB Chorus Parameter 3 LSB	:	
	2	00 - 7F 00 - 7F	Chorus Parameter 4 MSB Chorus Parameter 4 LSB	:	
	2	00 - 7F 00 - 7F	Chorus Parameter 5 MSB Chorus Parameter 5 LSB	:	
	2	00 - 7F 00 - 7F	Chorus Parameter 6 MSB Chorus Parameter 6 LSB	:	
	2	00 - 7F 00 - 7F	Chorus Parameter 7 MSB Chorus Parameter 7 LSB	:	
	2	00 - 7F 00 - 7F	Chorus Parameter 8 MSB Chorus Parameter 8 LSB	:	
	2	00 - 7F 00 - 7F	Chorus Parameter 9 MSB Chorus Parameter 9 LSB	:	
	2	00 - 7F 00 - 7F	Chorus Parameter 10 MSB Chorus Parameter 10 LSB	:	
	2	00 - 7F 00 - 7F	Chorus Parameter 11 MSB Chorus Parameter 11 LSB	:	
	2	00 - 7F 00 - 7F	Chorus Parameter 12 MSB Chorus Parameter 12 LSB	:	
	2	00 - 7F 00 - 7F	Chorus Parameter 13 MSB Chorus Parameter 13 LSB	:	
	2	00 - 7F 00 - 7F	Chorus Parameter 14 MSB Chorus Parameter 14 LSB	:	
	2	00 - 7F 00 - 7F	Chorus Parameter 15 MSB Chorus Parameter 15 LSB	:	
	2	00 - 7F 00 - 7F	Chorus Parameter 16 MSB Chorus Parameter 16 LSB	:	
	1	00 - 7F	Chorus Return	--dB - 0dB - +6dB (0 - 96 - 127)	
	1	01 - 7F	Chorus Pan	L63 - C - R63	
	1	00 - 7F	Send Chorus To Reverb	--dB - 0dB (0 - 127)	

TOTAL SIZE = 38 26 (HEX)

Address	Size	Data Range (HEX)	Parameter Name	Description	Notes
30 03 00	2	00 - 7F 00 - 7F	Insertion-A Type MSB Insertion-A Type LSB	Refer to "Effect Parameter List."	for A/D Part
	1	00 - 7F	Template Number		
	2	00 - 7F 00 - 7F	Insertion-A Parameter 1 MSB Insertion-A Parameter 1 LSB	:	
	2	00 - 7F 00 - 7F	Insertion-A Parameter 2 MSB Insertion-A Parameter 2 LSB	:	
	2	00 - 7F 00 - 7F	Insertion-A Parameter 3 MSB Insertion-A Parameter 3 LSB	:	
	2	00 - 7F 00 - 7F	Insertion-A Parameter 4 MSB Insertion-A Parameter 4 LSB	:	
	2	00 - 7F 00 - 7F	Insertion-A Parameter 5 MSB Insertion-A Parameter 5 LSB	:	
	2	00 - 7F 00 - 7F	Insertion-A Parameter 6 MSB Insertion-A Parameter 6 LSB	:	
	2	00 - 7F 00 - 7F	Insertion-A Parameter 7 MSB Insertion-A Parameter 7 LSB	:	
	2	00 - 7F 00 - 7F	Insertion-A Parameter 8 MSB Insertion-A Parameter 8 LSB	:	
	2	00 - 7F 00 - 7F	Insertion-A Parameter 9 MSB Insertion-A Parameter 9 LSB	:	
	2	00 - 7F 00 - 7F	Insertion-A Parameter 10 MSB Insertion-A Parameter 10 LSB	:	
	2	00 - 7F 00 - 7F	Insertion-A Parameter 11 MSB Insertion-A Parameter 11 LSB	:	
	2	00 - 7F 00 - 7F	Insertion-A Parameter 12 MSB Insertion-A Parameter 12 LSB	:	
	2	00 - 7F 00 - 7F	Insertion-A Parameter 13 MSB Insertion-A Parameter 13 LSB	:	
	2	00 - 7F 00 - 7F	Insertion-A Parameter 14 MSB Insertion-A Parameter 14 LSB	:	
	2	00 - 7F 00 - 7F	Insertion-A Parameter 15 MSB Insertion-A Parameter 15 LSB	:	
	2	00 - 7F 00 - 7F	Insertion-A Parameter 16 MSB Insertion-A Parameter 16 LSB	:	

TOTAL SIZE = 35 23 (HEX)

Address	Size	Data Range (HEX)	Parameter Name	Description	Notes
30 04 00	2	00 - 7F 00 - 7F	Insertion-B Type MSB Insertion-B Type LSB	Refer to "Effect Parameter List."	for A/D Part
	1	00 - 7F	Template Number		
	2	00 - 7F 00 - 7F	Insertion-B Parameter 1 MSB Insertion-B Parameter 1 LSB	:	
	2	00 - 7F 00 - 7F	Insertion-B Parameter 2 MSB Insertion-B Parameter 2 LSB	:	
	2	00 - 7F 00 - 7F	Insertion-B Parameter 3 MSB Insertion-B Parameter 3 LSB	:	

MIDI PARAMETER CHANGE TABLE
(PERFORMANCE PART)

Address	Size	Data Range (HEX)	Parameter Name	Description	Notes
09	2	00 - 7F 00 - 7F	Insertion-B Parameter 4 MSB Insertion-B Parameter 4 LSB	:	:
0B	2	00 - 7F 00 - 7F	Insertion-B Parameter 5 MSB Insertion-B Parameter 5 LSB	:	:
0D	2	00 - 7F 00 - 7F	Insertion-B Parameter 6 MSB Insertion-B Parameter 6 LSB	:	:
0F	2	00 - 7F 00 - 7F	Insertion-B Parameter 7 MSB Insertion-B Parameter 7 LSB	:	:
11	2	00 - 7F 00 - 7F	Insertion-B Parameter 8 MSB Insertion-B Parameter 8 LSB	:	:
13	2	00 - 7F 00 - 7F	Insertion-B Parameter 9 MSB Insertion-B Parameter 9 LSB	:	:
15	2	00 - 7F 00 - 7F	Insertion-B Parameter 10 MSB Insertion-B Parameter 10 LSB	:	:
17	2	00 - 7F 00 - 7F	Insertion-B Parameter 11 MSB Insertion-B Parameter 11 LSB	:	:
19	2	00 - 7F 00 - 7F	Insertion-B Parameter 12 MSB Insertion-B Parameter 12 LSB	:	:
1B	2	00 - 7F 00 - 7F	Insertion-B Parameter 13 MSB Insertion-B Parameter 13 LSB	:	:
1D	2	00 - 7F 00 - 7F	Insertion-B Parameter 14 MSB Insertion-B Parameter 14 LSB	:	:
1F	2	00 - 7F 00 - 7F	Insertion-B Parameter 15 MSB Insertion-B Parameter 15 LSB	:	:
21	2	00 - 7F 00 - 7F	Insertion-B Parameter 16 MSB Insertion-B Parameter 16 LSB	:	:

TOTAL SIZE = 35 23 (HEX)

30	10	00 1	34 - 4C	EQ Gain 1	-12 - +12 [dB]
		01 1	04 - 28	EQ Frequency 1	32 - 2000 [Hz]
		02 1	01 - 78	EQ Q1	0.1 - 12.0
		03 1	00 - 01	EQ Shape 1	shelv, peak
		04 1	34 - 4C	EQ Gain 2	-12 - +12 [dB]
		05 1	0E - 36	EQ Frequency 2	100 - 10.0 [kHz]
		06 1	01 - 78	EQ Q2	0.1 - 12.0
		07 1		reserved	
		08 1	34 - 4C	EQ Gain 3	-12 - +12 [dB]
		09 1	0E - 36	EQ Frequency 3	100 - 10.0 [kHz]
		0A 1	01 - 78	EQ Q3	0.1 - 12.0
		0B 1		reserved	
		0C 1	34 - 4C	EQ Gain 4	-12 - +12 [dB]
		0D 1	0E - 36	EQ Frequency 4	100 - 10.0 [kHz]
		0E 1	01 - 78	EQ Q4	0.1 - 12.0
		0F 1		reserved	
		10 1	34 - 4C	EQ Gain 5	-12 - +12 [dB]
		11 1	1C - 3A	EQ Frequency 5	0.5 - 16.0 [kHz]
		12 1	01 - 78	EQ Q5	0.1 - 12.0
		13 1	00 - 01	EQ Shape 5	shelv, peak

TOTAL SIZE = 20 14 (HEX)

30	11	00 2	00 - 7F 00 - 7F	Master Effect Type MSB Master Effect Type LSB	Refer to "Effect Parameter List."
		02 1	00 - 7F	Template Number	
		03 2	00 - 7F 00 - 7F	Master Effect Parameter 1 MSB Master Effect Parameter 1 LSB	:
		05 2	00 - 7F 00 - 7F	Master Effect Parameter 2 MSB Master Effect Parameter 2 LSB	:
		07 2	00 - 7F 00 - 7F	Master Effect Parameter 3 MSB Master Effect Parameter 3 LSB	:
		09 2	00 - 7F 00 - 7F	Master Effect Parameter 4 MSB Master Effect Parameter 4 LSB	:
		0B 2	00 - 7F 00 - 7F	Master Effect Parameter 5 MSB Master Effect Parameter 5 LSB	:
		0D 2	00 - 7F 00 - 7F	Master Effect Parameter 6 MSB Master Effect Parameter 6 LSB	:
		0F 2	00 - 7F 00 - 7F	Master Effect Parameter 7 MSB Master Effect Parameter 7 LSB	:
		11 2	00 - 7F 00 - 7F	Master Effect Parameter 8 MSB Master Effect Parameter 8 LSB	:
		13 2	00 - 7F 00 - 7F	Master Effect Parameter 9 MSB Master Effect Parameter 9 LSB	:
		15 2	00 - 7F 00 - 7F	Master Effect Parameter 10 MSB Master Effect Parameter 10 LSB	:
		17 2	00 - 7F 00 - 7F	Master Effect Parameter 11 MSB Master Effect Parameter 11 LSB	:
		19 2	00 - 7F 00 - 7F	Master Effect Parameter 12 MSB Master Effect Parameter 12 LSB	:
		1B 2	00 - 7F 00 - 7F	Master Effect Parameter 13 MSB Master Effect Parameter 13 LSB	:
		1D 2	00 - 7F 00 - 7F	Master Effect Parameter 14 MSB Master Effect Parameter 14 LSB	:
		1F 2	00 - 7F 00 - 7F	Master Effect Parameter 15 MSB Master Effect Parameter 15 LSB	:
		21 2	00 - 7F 00 - 7F	Master Effect Parameter 16 MSB Master Effect Parameter 16 LSB	:
		23 1	00 - 01	Master Effect ON/OFF	0: OFF, 1: ON

TOTAL SIZE = 36 24 (HEX)

Address	Size	Data Range (HEX)	Parameter Name	Description	Notes
31	pp	00 1	00 - 7F	Part Switch	off, on
		01 1	00 - 7F	Bank Select MSB	0 - 127
		02 1	00 - 7F	Bank Select LSB	0 - 127
		03 1	00 - 7F	Program Number	1 - 128
		04 1		reserved	
		05 1	00 - 01	Part Mode	mono, poly
		06 1	01 - 7F	Velocity Limit Low	1 - 127
		07 1	01 - 7F	Velocity Limit High	1 - 127
		08 1	00 - 7F	Note Limit Low	C-2 - G8
		09 1	00 - 7F	Note Limit High	C-2 - G8
		0A 1	10 - 58	Pitch Bend Range Upper	-48 - +24
		0B 1	10 - 58	Pitch Bend Range Lower	-48 - +24
		0C 1	00 - 7F	Velocity Sense Depth	0 - 127
		0D 1	00 - 7F	Velocity Sense Offset	0 - 127
		0E 1	00 - 7F	Volume	0 - 127
		0F 1	01 - 7F	Pan	L63 - C - R63
		10 1		reserved	
		11 2	00 - 0F 00 - 0F	Detune MSB Detune LSB	-12.8 - +12.7 [Hz] 1st bit 3-0 → bit 7-4 2nd bit 3-0 → bit 3-0
		13 1	00 - 7F	Reverb Send	0 - 127
		14 1	00 - 7F	Chorus Send	0 - 127
		15 1		reserved	
		16 1	00 - 7F	Dry Level	0 - 127
		17 1	28 - 58	Note Shift	-24 - +24 [semitones]
		18 1		reserved	
		19 1	00 - 01	Param. with Voice	off, on
		1A 1	00 - 01	Voice with ARP	off, on
		1B 1	00 - 01	Portamento Switch	off, on
		1C 1	00 - 7F	Portamento Time	0 - 127
		1D 1	00 - 01	Portamento Mode	fingered, fulltime
		1E 1		reserved	
		1F 1	00 - 7F	Output Select	0: L&R, 8: asnL&R 9-15: mLAN1&2, ..., mLAN11 16-22: asnL, asnR, mLAN1, ..., mLAN14 23: drum (or L&R)
31	pp	20 1	00 - 7F	reserved Receive Control Change	bit 0: reserved bit 2: off, on Control Change bit 3: reserved bit 4: reserved bit 5: off, on AT bit 6: off, on PB
		21 1	00 - 7F	reserved Receive Expression reserved Receive Sustain/Sostenuto	bit 0: off, on Expression bit 1: reserved bit 2: off, on Sustain/ Sostenuto bit 3: off, on MW bit 4: reserved bit 5: off, on FC1 bit 6: off, on FC2
		22 1	00 - 7F	reserved Receive FS Receive BC Receive RB Receive Assignable Knob 1 Receive Assignable Knob 2 Receive Assignable Button 1 Receive Assignable Button 2	bit 0: off, on FS bit 1: off, on BC bit 2: off, on RB bit 3: off, on AS1 bit 4: off, on AS2 bit 5: off, on AF1 bit 6: off, on AF2
31	pp	23 1	00 - 01	Voice Pan on/off	off, on
		24 1	00 - 7F	AEG Attack Time	-64 - +63
		25 1	00 - 7F	AEG Decay Time	-64 - +63
		26 1	00 - 7F	AEG Sustain Level	-64 - +63
		27 1	00 - 7F	AEG Release Time	-64 - +63
		28 1	00 - 7F	FEG Attack Time	-64 - +63
		29 1	00 - 7F	FEG Decay Time	-64 - +63
		2A 1	00 - 7F	FEG Sustain Level	-64 - +63
		2B 1	00 - 7F	FEG Release Time	-64 - +63
		2C 1	00 - 7F	FEG Depth	-64 - +63
		2D 1	00 - 7F	reserved	
		2E 1	00 - 7F	Filter Cutoff Frequency	-64 - +63
		2F 1	00 - 7F	Filter Resonance/Width	-64 - +63
31	pp	30 1	00	reserved	
		31 2	002E - 0136	Low Frequency MSB Low Frequency LSB	50.1 - 2.00k
		33 1	20 - 60	Low Gain	-32 - +32
		34 1	00	reserved	
		35 2	0053 - 0171	Mid Frequency MSB Mid Frequency LSB	139.7 - 10.1k
		37 1	20 - 60	Mid Gain	-32 - +32
		38 1	00 - 1F	Mid Q	0 - 31
		39 2	0103 - 017F	High Frequency MSB High Frequency LSB	503.8 - 14k
		3B 1	20 - 60	High Gain	-32 - +32
		3C 1	00	reserved	

TOTAL SIZE = 61 3D (HEX)

pp = part number
00 - 03 Part 1 - 4 (Normal, Drum)

MIDI PARAMETER CHANGE TABLE (NORMAL VOICE COMMON)

Address	Size	Data Range (HEX)	Parameter Name	Description	Notes
34	pp	00 1	ARP Switch	off, on	
		01 1	ARP MIDI Out Switch	off, on	
		02 1	ARP MIDI Out Channel	1 - 16, kbd-ch	
		03 1	reserved		
		04 2	reserved		
		06 1	ARP Loop	off, on	
		07 1	ARP Hold	sync-off, off, on	
		08 1	ARP Unit Multiply	50%, 66%, 75%, 100%, 133%, 150%, 200%	
		09 1	ARP Note Limit Low	C-2 - G8	
		0A 1	ARP Note Limit High	C-2 - G8	
		0B 1	ARP Velocity Limit Low	1 - 127	
		0C 1	ARP Velocity Limit High	1 - 127	
		0D 1	ARP Key Mode	sort, thru, direct, sort+direct, thru+direct	
		0E 1	ARP Vel Mode	original, thru	
		0F 1	ARP Change Timing	realtime, measure	
		10 1	ARP Quantize Value	32th, 16th Triplet, 16th, 8th Triplet, 8th, 4th Triplet, 4th	
		11 1	ARP Quantize Strength	0 - 100%	
		12 2	ARP Velocity Rate MSB ARP Velocity Rate LSB	0 - 200%	
		14 2	ARP Gate Time Rate MSB ARP Gate Time Rate LSB	0 - 200%	
		16 2	reserved		
		18 2	reserved		
		1A 2	ARP Swing MSB ARP Swing LSB	-120 - 0 - +120	
		1C 1	ARP Accent Velocity Threshold	off, 1 - 127	
		1D 1	ARP Accent Start Quantize	off, on	
		1E 1	ARP Octave Range	-3 - 0 - +3	
		1F 1	ARP Output Octave Shift	-10 - 0 - +10	
		20 1	ARP Trigger Mode	Gate, Toggle	
		21 1	ARP Random SFX	off, on	
		22 1	ARP Random SFX Key On Control	off, on	
		23 1	ARP Random SFX Velocity Offset	-64 - 0 - +63	
		24 2	ARP Assign Velocity Rate Offset SF1 MSB ARP Assign Velocity Rate Offset SF1 LSB	-100 - 0 - +100	
		26 2	ARP Assign Gate Time Offset SF1 MSB ARP Assign Gate Time Offset SF1 LSB	-100 - 0 - +100	
		28 2	ARP Assign Velocity Rate Offset SF2 MSB ARP Assign Velocity Rate Offset SF2 LSB	-100 - 0 - +100	
		2A 2	ARP Assign Gate Time Offset SF2 MSB ARP Assign Gate Time Offset SF2 LSB	-100 - 0 - +100	
		2C 2	ARP Assign Velocity Rate Offset SF3 MSB ARP Assign Velocity Rate Offset SF3 LSB	-100 - 0 - +100	
		2E 2	ARP Assign Gate Time Offset SF3 MSB ARP Assign Gate Time Offset SF3 LSB	-100 - 0 - +100	
		30 2	ARP Assign Velocity Rate Offset SF4 MSB ARP Assign Velocity Rate Offset SF4 LSB	-100 - 0 - +100	
		32 2	ARP Assign Gate Time Offset SF4 MSB ARP Assign Gate Time Offset SF4 LSB	-100 - 0 - +100	
		34 2	ARP Assign Velocity Rate Offset SF5 MSB ARP Assign Velocity Rate Offset SF5 LSB	-100 - 0 - +100	
		36 2	ARP Assign Gate Time Offset SF5 MSB ARP Assign Gate Time Offset SF5 LSB	-100 - 0 - +100	
		38 2	ARP SF1 Assign Type MSB ARP SF1 Assign Type LSB	---	
		3A 2	ARP SF2 Assign Type MSB ARP SF2 Assign Type LSB	---	
		3C 2	ARP SF3 Assign Type MSB ARP SF3 Assign Type LSB	---	
		3E 2	ARP SF4 Assign Type MSB ARP SF4 Assign Type LSB	---	
		40 2	ARP SF5 Assign Type MSB ARP SF5 Assign Type LSB	---	

TOTAL SIZE = 66 42 (HEX)
pp = part number
00 - 03 Part 1 - 4 (Normal, Drum)

Address	Size	Data Range (HEX)	Parameter Name	Description	Notes
35	pp	00 1	Audio Input Mode	L mono, R mono, L+R mono, stereo	
		01 1	Audio Input Part Volume	0 - 127	
		02 1	Audio Input Part Pan	L63 - C - R63	
		03 1	Audio Input Part Reverb Send	0 - 127	
		04 1	Audio Input Part Chorus Send	0 - 127	
		05 1	reserved		
		06 1	Audio Input Part Dry Level	0 - 127	
		07 1	Audio Input Part Output Select	0: L&R, 8: asnl&R, 9-15: mLAN1&2, ..., mLAN13&14, 64-79: asnL, asnR, mLAN1, ..., mLAN14, 112: insL	The mLAN input Part Output Select cannot be set to "112: insL".

TOTAL = 8 08 (HEX)
40 - 41 A/D, mLAN

Address	Size	Data Range (HEX)	Parameter Name	Description	Notes
40	00	00 1	Voice Name 1	0, 32 - 126 (ASCII)	
		01 1	Voice Name 2	0, 32 - 126 (ASCII)	
		02 1	Voice Name 3	0, 32 - 126 (ASCII)	
		03 1	Voice Name 4	0, 32 - 126 (ASCII)	
		04 1	Voice Name 5	0, 32 - 126 (ASCII)	
		05 1	Voice Name 6	0, 32 - 126 (ASCII)	
		06 1	Voice Name 7	0, 32 - 126 (ASCII)	
		07 1	Voice Name 8	0, 32 - 126 (ASCII)	
		08 1	Voice Name 9	0, 32 - 126 (ASCII)	
		09 1	Voice Name 10	0, 32 - 126 (ASCII)	
		0A 1	Voice Name 11	0, 32 - 126 (ASCII)	
		0B 1	Voice Name 12	0, 32 - 126 (ASCII)	
		0C 1	Voice Name 13	0, 32 - 126 (ASCII)	
		0D 1	Voice Name 14	0, 32 - 126 (ASCII)	
		0E 1	Voice Name 15	0, 32 - 126 (ASCII)	
		0F 1	Voice Name 16	0, 32 - 126 (ASCII)	
		10 1	Voice Name 17	0, 32 - 126 (ASCII)	
		11 1	Voice Name 18	0, 32 - 126 (ASCII)	
		12 1	Voice Name 19	0, 32 - 126 (ASCII)	
		13 1	Voice Name 20	0, 32 - 126 (ASCII)	
		14 1	reserved		
		15 1	reserved		
		16 1	reserved		
		17 1	reserved		
		18 1	Voice Category 1 (Main)	0 - 16 (Pn - --)	Pn, Kb, Or, Gt, Bs, St, Br, SW, Ld, Pd, Sc, Cp, Dr, Se, Me, Et, --
		19 1	Voice Category 1 (Sub)	0 - 5 (Sub1 - Sub5)	Refer to "Category List."
		1A 1	Voice Category 2 (Main)	0 - 16 (Pn - --)	Pn, Kb, Or, Gt, Bs, St, Br, SW, Ld, Pd, Sc, Cp, Dr, Se, Me, Et, --
		1B 1	Voice Category 2 (Sub)	0 - 5 (Sub1 - Sub5)	Refer to "Category List."
		1C 1	reserved		
		1D 1	reserved		
		1E 1	Knob Function Select	0=Tone1, 1=Tone2, 2=ARP FX	
		1F 1	Pan	L63 - C - R63	
		20 1	Note Shift	-24 - +24 [semitones]	
		21 1	AEG Attack Time	-64 - +63	
		22 1	AEG Decay Time	-64 - +63	
		23 1	AEG Sustain Level	-64 - +63	
		24 1	AEG Release Time	-64 - +63	
		25 1	FEG Attack Time	-64 - +63	
		26 1	FEG Decay Time	-64 - +63	
		27 1	reserved		
		28 1	FEG Release Time	-64 - +63	
		29 1	FEG Depth	-64 - +63	
		2A 1	Cutoff Frequency	-64 - +63	
		2B 1	Resonance	-64 - +63	
		2C 1	reserved		
		2D 2	EQ Low Frequency MSB EQ Low Frequency LSB	50.1 - 2.00k	
		2F 1	EQ Low Gain	-32 - +32	
		30 1	reserved		
		31 2	EQ Mid Frequency MSB EQ Mid Frequency LSB	139.7 - 12.9k 10.1k	
		33 1	EQ Mid Gain	-32 - +32	
		34 1	EQ Mid Q	0 - 31	
		35 2	EQ High Frequency MSB EQ High Frequency LSB	503.8 - 10.1k 14k	
		37 1	EQ High Gain	-32 - +32	
		38 1	reserved		
		39 1	Assignable Knob 1 Value	-64 - +63	
		3A 1	Assignable Knob 2 Value	-64 - +63	
		3B 1	Assignable Button 1 Mode	momentary, latch	
		3C 1	Assignable Button 2 Mode	momentary, latch	
		3D 1	RB Mode	hold, reset	
		3E 1	reserved		
		3F 1	reserved		
		40 1	Volume	0 - 127	
		41 1	Key Assign Mode	single, multi	
		42 1	Mono/Poly Mode	mono, poly	
		43 1	Micro Tuning Scale	Equal, Pure Major, Pure Minor, Werckmeister, Kimberger, Vallot&Yng, 1/4 Shift, 1/4 Tone, 1/8 Tone, Indian, Arabic 1, Arabic 2, Arabic 3, User 1, User 2, User 3, User 4, User 5, User 6, User 7, User 8	
		44 1	Micro Tuning Root	C - B	
		45 1	Pitch Bend Range Upper	-48 - +24 [semitones]	

MIDI Data Table

Address	Size	Data Range (HEX)	Parameter Name	Description	Notes
46	1	10 - 58	Pitch Bend Range Lower	-48 - +24 [semitones]	
47	1	00 - 01	Portamento Mode	fingered, fulltime	
48	1	00 - 01	Portamento Switch	off, on	
49	1	00 - 7F	Portamento Time	0 - 127	
4A	1	00 - 03	Portamento Time Mode	rate1, time1, rate2, time2	
4B	1	00 - 07	Legato Slope	0-7	
4C	1	00 - 7F	Reverb Send	--dB - 0dB	
4D	1	00 - 7F	Chorus Send	--dB - 0dB	
4E	1	00 - 03	Insertion Connect Type	Para, A->B, B->A, Ins L	
4F	1	7F	reserved	127	
50	1	7F	reserved	127	
51	1	00	reserved		

TOTAL SIZE = 82 52 (HEX)

Address	Size	Data Range (HEX)	Parameter Name	Description	Notes	
40	30	00	1	00 - 04	ARP SF Select	SF1 - SF5
		01	2	0005 - 022C	ARP Tempo MSB ARP Tempo LSB	5 - 300
		03	1		reserved	
		04	1		reserved	
		05	2		reserved	
		07	2		reserved	
		09	2		reserved	
		0B	2		reserved	
		0D	1	00 - 01	ARP Switch	off, on
		0E	1		reserved	
		0F	1		reserved	
		10	1		reserved	
		11	2		reserved	
		13	1	00 - 01	ARP Loop	off, on
		14	1	00 - 02	ARP Hold	sync-off, off, on
		15	1	00 - 06	ARP Unit Multiply	50%, 66%, 75%, 100%, 133%, 150%, 200%
		16	1	00 - 7F	ARP Note Limit Low	C-2 - G8
		17	1	00 - 7F	ARP Note Limit High	C-2 - G8
		18	1	01 - 7F	ARP Velocity Limit Low	1 - 127
		19	1	01 - 7F	ARP Velocity Limit High	1 - 127
		1A	1	00 - 04	ARP Key Mode	sort, thru, direct, sort+direct, thru+direct
		1B	1	00 - 01	ARP Vel Mode	original, thru
		1C	1	00 - 01	ARP Change Timing	realtime, measure
		1D	1	01 - 07	ARP Quantize Value	32th, 16th Triplet, 16th, 8th Triplet, 8th, 4th Triplet, 4th
		1E	1	00 - 64	ARP Quantize Strength	0 - 100%
		1F	2	0000 - 0148	ARP Velocity Rate MSB ARP Velocity Rate LSB	0 - 200%
		21	2	0000 - 0148	ARP Gate Time Rate MSB ARP Gate Time Rate LSB	0 - 200%
		23	2		reserved	
		25	2		reserved	
		27	2	0008 - 0178	ARP Swing MSB ARP Swing LSB	-120 - 0 - +120 The setting of this parameter will be applied to the Quantize Value.
		29	1	00 - 7F	ARP Accent Velocity Threshold	off, 1 - 127
		2A	1	00 - 01	ARP Accent Start Quantize	off, on
		2B	1	3D - 43	ARP Octave Range	-3 - 0 - +3
		2C	1	36 - 4A	ARP Output Octave Shift	-10 - 0 - +10
		2D	1	00 - 01	ARP Trigger Mode	Gate, Toggle
		2E	1	00 - 01	ARP Random SFX	off, on
		2F	1	00 - 01	ARP Random SFX Key On Control	off, on
		30	1	00 - 7F	ARP Random SFX Velocity Offset	-64 - 0 - +63
		31	2	001C - 0164	ARP Assign Velocity Rate Offset SF1 MSB ARP Assign Velocity Rate Offset SF1 LSB	-100 - 0 - +100
		33	2	001C - 0164	ARP Assign Gate Time Offset SF1 MSB ARP Assign Gate Time Offset SF1 LSB	-100 - 0 - +100
		35	2	001C - 0164	ARP Assign Velocity Rate Offset SF2 MSB ARP Assign Velocity Rate Offset SF2 LSB	-100 - 0 - +100
		37	2	001C - 0164	ARP Assign Gate Time Offset SF2 MSB ARP Assign Gate Time Offset SF2 LSB	-100 - 0 - +100
		39	2	001C - 0164	ARP Assign Velocity Rate Offset SF3 MSB ARP Assign Velocity Rate Offset SF3 LSB	-100 - 0 - +100
		3B	2	001C - 0164	ARP Assign Gate Time Offset SF3 MSB ARP Assign Gate Time Offset SF3 LSB	-100 - 0 - +100
		3D	2	001C - 0164	ARP Assign Velocity Rate Offset SF4 MSB ARP Assign Velocity Rate Offset SF4 LSB	-100 - 0 - +100
		3F	2	001C - 0164	ARP Assign Gate Time Offset SF4 MSB ARP Assign Gate Time Offset SF4 LSB	-100 - 0 - +100

Address	Size	Data Range (HEX)	Parameter Name	Description	Notes
41	2	001C - 0164	ARP Assign Velocity Rate Offset SF5 MSB ARP Assign Velocity Rate Offset SF5 LSB	-100 - 0 - +100	
43	2	001C - 0164	ARP Assign Gate Time Offset SF5 MSB ARP Assign Gate Time Offset SF5 LSB	-100 - 0 - +100	
45	2	00 - 7F 00 - 7F	ARP SF1 Assign Type MSB ARP SF1 Assign Type LSB	---	
47	2	00 - 7F 00 - 7F	ARP SF2 Assign Type MSB ARP SF2 Assign Type LSB	---	
49	2	00 - 7F 00 - 7F	ARP SF3 Assign Type MSB ARP SF3 Assign Type LSB	---	
4B	2	00 - 7F 00 - 7F	ARP SF4 Assign Type MSB ARP SF4 Assign Type LSB	---	
4D	2	00 - 7F 00 - 7F	ARP SF5 Assign Type MSB ARP SF5 Assign Type LSB	---	

TOTAL SIZE = 79 4F (HEX)

Address	Size	Data Range (HEX)	Parameter Name	Description	Notes	
40	01	00	2	00 - 7F 00 - 7F	Reverb Type MSB Reverb Type LSB	Refer to "Effect Parameter List."
		02	1	00 - 7F	Template Number	
		03	2	00 - 7F 00 - 7F	Reverb Parameter 1 MSB Reverb Parameter 1 LSB	:
		05	2	00 - 7F 00 - 7F	Reverb Parameter 2 MSB Reverb Parameter 2 LSB	:
		07	2	00 - 7F 00 - 7F	Reverb Parameter 3 MSB Reverb Parameter 3 LSB	:
		09	2	00 - 7F	Reverb Parameter 4 MSB Reverb Parameter 4 LSB	:
		0B	2	00 - 7F 00 - 7F	Reverb Parameter 5 MSB Reverb Parameter 5 LSB	:
		0D	2	00 - 7F 00 - 7F	Reverb Parameter 6 MSB Reverb Parameter 6 LSB	:
		0F	2	00 - 7F 00 - 7F	Reverb Parameter 7 MSB Reverb Parameter 7 LSB	:
		11	2	00 - 7F 00 - 7F	Reverb Parameter 8 MSB Reverb Parameter 8 LSB	:
		13	2	00 - 7F 00 - 7F	Reverb Parameter 9 MSB Reverb Parameter 9 LSB	:
		15	2	00 - 7F 00 - 7F	Reverb Parameter 10 MSB Reverb Parameter 10 LSB	:
		17	2	00 - 7F 00 - 7F	Reverb Parameter 11 MSB Reverb Parameter 11 LSB	:
		19	2	00 - 7F 00 - 7F	Reverb Parameter 12 MSB Reverb Parameter 12 LSB	:
		1B	2	00 - 7F 00 - 7F	Reverb Parameter 13 MSB Reverb Parameter 13 LSB	:
		1D	2	00 - 7F 00 - 7F	Reverb Parameter 14 MSB Reverb Parameter 14 LSB	:
		1F	2	00 - 7F 00 - 7F	Reverb Parameter 15 MSB Reverb Parameter 15 LSB	:
		21	2	00 - 7F 00 - 7F	Reverb Parameter 16 MSB Reverb Parameter 16 LSB	:
		23	1	00 - 7F	Reverb Return	--dB - 0dB - +6dB (0 - 96 - 127)
		24	1	01 - 7F	Reverb Pan	L63 - C - R63

TOTAL SIZE = 37 25 (HEX)

Address	Size	Data Range (HEX)	Parameter Name	Description	Notes	
40	02	00	2	00 - 7F 00 - 7F	Chorus Type MSB Chorus Type LSB	Refer to "Effect Parameter List."
		02	1	00 - 7F	Template Number	
		03	2	00 - 7F 00 - 7F	Chorus Parameter 1 MSB Chorus Parameter 1 LSB	:
		05	2	00 - 7F 00 - 7F	Chorus Parameter 2 MSB Chorus Parameter 2 LSB	:
		07	2	00 - 7F 00 - 7F	Chorus Parameter 3 MSB Chorus Parameter 3 LSB	:
		09	2	00 - 7F 00 - 7F	Chorus Parameter 4 MSB Chorus Parameter 4 LSB	:
		0B	2	00 - 7F 00 - 7F	Chorus Parameter 5 MSB Chorus Parameter 5 LSB	:
		0D	2	00 - 7F 00 - 7F	Chorus Parameter 6 MSB Chorus Parameter 6 LSB	:
		0F	2	00 - 7F 00 - 7F	Chorus Parameter 7 MSB Chorus Parameter 7 LSB	:
		11	2	00 - 7F 00 - 7F	Chorus Parameter 8 MSB Chorus Parameter 8 LSB	:
		13	2	00 - 7F 00 - 7F	Chorus Parameter 9 MSB Chorus Parameter 9 LSB	:
		15	2	00 - 7F 00 - 7F	Chorus Parameter 10 MSB Chorus Parameter 10 LSB	:
		17	2	00 - 7F 00 - 7F	Chorus Parameter 11 MSB Chorus Parameter 11 LSB	:
		19	2	00 - 7F 00 - 7F	Chorus Parameter 12 MSB Chorus Parameter 12 LSB	:
		1B	2	00 - 7F 00 - 7F	Chorus Parameter 13 MSB Chorus Parameter 13 LSB	:
		1D	2	00 - 7F 00 - 7F	Chorus Parameter 14 MSB Chorus Parameter 14 LSB	:

Address	Size	Data Range (HEX)	Parameter Name	Description	Notes
1F	2	00 – 7F 00 – 7F	Chorus Parameter 15 MSB Chorus Parameter 15 LSB	:	
21	2	00 – 7F 00 – 7F	Chorus Parameter 16 MSB Chorus Parameter 16 LSB	:	
23	1	00 – 7F	Chorus Return	~>dB – 0dB – +6dB (0 – 96 – 127)	
24	1	01 – 7F	Chorus Pan	L63 – C – R63	
25	1	00 – 7F	Send Chorus To Reverb	~>dB – 0dB (0 – 127)	

TOTAL SIZE = 38 26 (HEX)

40	03	00	2	00 – 7F 00 – 7F	Insertion-A Type MSB Insertion-A Type LSB	Refer to "Effect Parameter List."
	02	1		00 – 7F	Template Number	
	03	2		00 – 7F 00 – 7F	Insertion-A Parameter 1 MSB Insertion-A Parameter 1 LSB	:
	05	2		00 – 7F 00 – 7F	Insertion-A Parameter 2 MSB Insertion-A Parameter 2 LSB	:
	07	2		00 – 7F 00 – 7F	Insertion-A Parameter 3 MSB Insertion-A Parameter 3 LSB	:
	09	2		00 – 7F 00 – 7F	Insertion-A Parameter 4 MSB Insertion-A Parameter 4 LSB	:
	0B	2		00 – 7F 00 – 7F	Insertion-A Parameter 5 MSB Insertion-A Parameter 5 LSB	:
	0D	2		00 – 7F 00 – 7F	Insertion-A Parameter 6 MSB Insertion-A Parameter 6 LSB	:
	0F	2		00 – 7F 00 – 7F	Insertion-A Parameter 7 MSB Insertion-A Parameter 7 LSB	:
	11	2		00 – 7F 00 – 7F	Insertion-A Parameter 8 MSB Insertion-A Parameter 8 LSB	:
	13	2		00 – 7F 00 – 7F	Insertion-A Parameter 9 MSB Insertion-A Parameter 9 LSB	:
	15	2		00 – 7F 00 – 7F	Insertion-A Parameter 10 MSB Insertion-A Parameter 10 LSB	:
	17	2		00 – 7F 00 – 7F	Insertion-A Parameter 11 MSB Insertion-A Parameter 11 LSB	:
	19	2		00 – 7F 00 – 7F	Insertion-A Parameter 12 MSB Insertion-A Parameter 12 LSB	:
	1B	2		00 – 7F 00 – 7F	Insertion-A Parameter 13 MSB Insertion-A Parameter 13 LSB	:
	1D	2		00 – 7F 00 – 7F	Insertion-A Parameter 14 MSB Insertion-A Parameter 14 LSB	:
	1F	2		00 – 7F 00 – 7F	Insertion-A Parameter 15 MSB Insertion-A Parameter 15 LSB	:
	21	2		00 – 7F 00 – 7F	Insertion-A Parameter 16 MSB Insertion-A Parameter 16 LSB	:

TOTAL SIZE = 35 23 (HEX)

40	04	00	2	00 – 7F 00 – 7F	Insertion-B Type MSB Insertion-B Type LSB	Refer to "Effect Parameter List."
	02	1		00 – 7F	Template Number	
	03	2		00 – 7F 00 – 7F	Insertion-B Parameter 1 MSB Insertion-B Parameter 1 LSB	:
	05	2		00 – 7F 00 – 7F	Insertion-B Parameter 2 MSB Insertion-B Parameter 2 LSB	:
	07	2		00 – 7F 00 – 7F	Insertion-B Parameter 3 MSB Insertion-B Parameter 3 LSB	:
	09	2		00 – 7F 00 – 7F	Insertion-B Parameter 4 MSB Insertion-B Parameter 4 LSB	:
	0B	2		00 – 7F 00 – 7F	Insertion-B Parameter 5 MSB Insertion-B Parameter 5 LSB	:
	0D	2		00 – 7F 00 – 7F	Insertion-B Parameter 6 MSB Insertion-B Parameter 6 LSB	:
	0F	2		00 – 7F 00 – 7F	Insertion-B Parameter 7 MSB Insertion-B Parameter 7 LSB	:
	11	2		00 – 7F 00 – 7F	Insertion-B Parameter 8 MSB Insertion-B Parameter 8 LSB	:
	13	2		00 – 7F 00 – 7F	Insertion-B Parameter 9 MSB Insertion-B Parameter 9 LSB	:
	15	2		00 – 7F 00 – 7F	Insertion-B Parameter 10 MSB Insertion-B Parameter 10 LSB	:
	17	2		00 – 7F 00 – 7F	Insertion-B Parameter 11 MSB Insertion-B Parameter 11 LSB	:
	19	2		00 – 7F 00 – 7F	Insertion-B Parameter 12 MSB Insertion-B Parameter 12 LSB	:
	1B	2		00 – 7F 00 – 7F	Insertion-B Parameter 13 MSB Insertion-B Parameter 13 LSB	:
	1D	2		00 – 7F 00 – 7F	Insertion-B Parameter 14 MSB Insertion-B Parameter 14 LSB	:
	1F	2		00 – 7F 00 – 7F	Insertion-B Parameter 15 MSB Insertion-B Parameter 15 LSB	:
	21	2		00 – 7F 00 – 7F	Insertion-B Parameter 16 MSB Insertion-B Parameter 16 LSB	:

TOTAL SIZE = 35 23 (HEX)

Address	Size	Data Range (HEX)	Parameter Name	Description	Notes	
40	05	00	2	00 – 7F 00 – 7F	Insertion-L Type MSB Insertion-L Type LSB	Refer to "Effect Parameter List."
	02	1		00 – 7F	Template Number	
	03	2		00 – 7F 00 – 7F	Insertion-L Parameter 1 MSB Insertion-L Parameter 1 LSB	:
	05	2		00 – 7F 00 – 7F	Insertion-L Parameter 2 MSB Insertion-L Parameter 2 LSB	:
	07	2		00 – 7F 00 – 7F	Insertion-L Parameter 3 MSB Insertion-L Parameter 3 LSB	:
	09	2		00 – 7F 00 – 7F	Insertion-L Parameter 4 MSB Insertion-L Parameter 4 LSB	:
	0B	2		00 – 7F 00 – 7F	Insertion-L Parameter 5 MSB Insertion-L Parameter 5 LSB	:
	0D	2		00 – 7F 00 – 7F	Insertion-L Parameter 6 MSB Insertion-L Parameter 6 LSB	:
	0F	2		00 – 7F 00 – 7F	Insertion-L Parameter 7 MSB Insertion-L Parameter 7 LSB	:
	11	2		00 – 7F 00 – 7F	Insertion-L Parameter 8 MSB Insertion-L Parameter 8 LSB	:
	13	2		00 – 7F 00 – 7F	Insertion-L Parameter 9 MSB Insertion-L Parameter 9 LSB	:
	15	2		00 – 7F 00 – 7F	Insertion-L Parameter 10 MSB Insertion-L Parameter 10 LSB	:
	17	2		00 – 7F 00 – 7F	Insertion-L Parameter 11 MSB Insertion-L Parameter 11 LSB	:
	19	2		00 – 7F 00 – 7F	Insertion-L Parameter 12 MSB Insertion-L Parameter 12 LSB	:
	1B	2		00 – 7F 00 – 7F	Insertion-L Parameter 13 MSB Insertion-L Parameter 13 LSB	:
	1D	2		00 – 7F 00 – 7F	Insertion-L Parameter 14 MSB Insertion-L Parameter 14 LSB	:
	1F	2		00 – 7F 00 – 7F	Insertion-L Parameter 15 MSB Insertion-L Parameter 15 LSB	:
	21	2		00 – 7F 00 – 7F	Insertion-L Parameter 16 MSB Insertion-L Parameter 16 LSB	:
	23	2		00 – 7F 00 – 7F	Insertion-L Parameter 17 MSB Insertion-L Parameter 17 LSB	:
	25	2		00 – 7F 00 – 7F	Insertion-L Parameter 18 MSB Insertion-L Parameter 18 LSB	:
	27	2		00 – 7F 00 – 7F	Insertion-L Parameter 19 MSB Insertion-L Parameter 19 LSB	:
	29	2		00 – 7F 00 – 7F	Insertion-L Parameter 20 MSB Insertion-L Parameter 20 LSB	:
	2B	2		00 – 7F 00 – 7F	Insertion-L Parameter 21 MSB Insertion-L Parameter 21 LSB	:
	2D	2		00 – 7F 00 – 7F	Insertion-L Parameter 22 MSB Insertion-L Parameter 22 LSB	:
	2F	2		00 – 7F 00 – 7F	Insertion-L Parameter 23 MSB Insertion-L Parameter 23 LSB	:
	31	2		00 – 7F 00 – 7F	Insertion-L Parameter 24 MSB Insertion-L Parameter 24 LSB	:
	33	2		00 – 7F 00 – 7F	Insertion-L Parameter 25 MSB Insertion-L Parameter 25 LSB	:
	35	2		00 – 7F 00 – 7F	Insertion-L Parameter 26 MSB Insertion-L Parameter 26 LSB	:
	37	2		00 – 7F 00 – 7F	Insertion-L Parameter 27 MSB Insertion-L Parameter 27 LSB	:
	39	2		00 – 7F 00 – 7F	Insertion-L Parameter 28 MSB Insertion-L Parameter 28 LSB	:
	3B	2		00 – 7F 00 – 7F	Insertion-L Parameter 29 MSB Insertion-L Parameter 29 LSB	:
	3D	2		00 – 7F 00 – 7F	Insertion-L Parameter 30 MSB Insertion-L Parameter 30 LSB	:
	3F	2		00 – 7F 00 – 7F	Insertion-L Parameter 31 MSB Insertion-L Parameter 31 LSB	:
	41	2		00 – 7F 00 – 7F	Insertion-L Parameter 32 MSB Insertion-L Parameter 32 LSB	:

TOTAL SIZE = 67 43 (HEX)

Address	Size	Data Range (HEX)	Parameter Name	Description	Notes	
40	06	00	1	00 – 0E	Controller Set 1 Source	0: PB, 1: MW, 3: AT, 4: FC, 5: FS, 6: RB, 7: BC, 8: AS1, 9: AS2, 12: FC2, 13: AF1, 14: AF 2
	01	2		00 00 – 65	Controller Set 1 Destination MSB Controller Set 1 Destination LSB	0 – 101
	03	1		00 – 7F	Controller Set 1 Depth	-64 – +63
	04	1			reserved	
	05	1		00 – 0E	Controller Set 2 Source	0: PB, 1: MW, 3: AT, 4: FC, 5: FS, 6: RB, 7: BC, 8: AS1, 9: AS2, 12: FC2, 13: AF1, 14: AF 2
	06	2		00 00 – 65	Controller Set 2 Destination MSB Controller Set 2 Destination LSB	0 – 101
	08	1		00 – 7F	Controller Set 2 Depth	-64 – +63
	09	1			reserved	
	0A	1		00 – 0E	Controller Set 3 Source	0: PB, 1: MW, 3: AT, 4: FC, 5: FS, 6: RB, 7: BC, 8: AS1, 9: AS2, 12: FC2, 13: AF1, 14: AF 2

Address	Size	Data Range (HEX)	Parameter Name	Description	Notes
0B	2	00-65	Controller Set 3 Destination MSB Controller Set 3 Destination LSB	0 - 101	
0D	1	00-7F	Controller Set 3 Depth	-64 - +63	
0E	1		reserved		
0F	1	00-0E	Controller Set 4 Source	0: PB, 1: MW, 3: AT, 4: FC, 5: FS, 6: RB, 7: BC, 8: AS1, 9: AS2, 12: FC2, 13: AF1, 14: AF 2	
10	2	00-65	Controller Set 4 Destination MSB Controller Set 4 Destination LSB	0 - 101	
12	1	00-7F	Controller Set 4 Depth	-64 - +63	
13	1		reserved		
14	1	00-0E	Controller Set 5 Source	0: PB, 1: MW, 3: AT, 4: FC, 5: FS, 6: RB, 7: BC, 8: AS1, 9: AS2, 12: FC2, 13: AF1, 14: AF 2	
15	2	00-65	Controller Set 5 Destination MSB Controller Set 5 Destination LSB	0 - 101	
17	1	00-7F	Controller Set 5 Depth	-64 - +63	
18	1		reserved		
19	1	00-0E	Controller Set 6 Source	0: PB, 1: MW, 3: AT, 4: FC, 5: FS, 6: RB, 7: BC, 8: AS1, 9: AS2, 12: FC2, 13: AF1, 14: AF 2	
1A	2	00-65	Controller Set 6 Destination MSB Controller Set 6 Destination LSB	0 - 101	
1C	1	00-7F	Controller Set 6 Depth	-64 - +63	
1D	1		reserved		
1E	1	00-05	LFO Phase	0, 90, 120, 180, 240, 270	
1F	1	00-0C	LFO Wave	tri, tri+, saw up, saw down, squ1/4, squ1/3, squ, squ2/3, squ3/4, trpzd, S/H1, S/H2, user	
20	1	00-3F	LFO Speed	0 - 63 (available only when the Tempo Sync is set to off)	
21	1	05-18	LFO Tempo Speed	5 - 24 (available only when the Tempo Sync is set to on)	16th, 8th/3, 16th., 8th, 4th/3, 8th., 4th, 2th/3, 4th., 2nd, Whole/3, 2nd., 4thX4, 4thX5, 4thX6, 4thX7, 4thX8, 4thX16, 4thX32, 4thX64
22	1	00-01	LFO Tempo Sync	off, on	
23	1	00-7F	LFO Delay Time	0 - 127	
24	1	00-7F	LFO Fade In Time	0 - 127	
25	1	00-7F	LFO Hold Time	0 - 127	
26	1	00-7F	LFO Fade Out Time	0 - 127	
27	1	00-02	LFO Key On Reset	off, each-on, 1st-on	
28	1	00-01	LFO Play Mode	Loop, One Shot	
29	1	00-45	LFO Box 1 Destination	Refer to Fig 1-2.	
2A	1	00-7F	LFO Box 1 Depth	0 - 127	
2B	1		reserved		
2C	1	00-45	LFO Box 2 Destination	Refer to Fig 1-2.	
2D	1	00-7F	LFO Box 2 Depth	0 - 127	
2E	1		reserved		
2F	1	00-45	LFO Box 3 Destination	Refer to Fig 1-2.	
30	1	00-7F	LFO Box 3 Depth	0 - 127	
31	1		reserved		
32	1	00-06	User Wave Total Step	2, 3, 4, 6, 8, 12, 16	
33	1	00-03	User Wave Slope	off, up, down, up&down	
34	1	00-7F	User Wave Step Value 1	0 - 127	
35	1	00-7F	User Wave Step Value 2	0 - 127	
36	1	00-7F	User Wave Step Value 3	0 - 127	
37	1	00-7F	User Wave Step Value 4	0 - 127	
38	1	00-7F	User Wave Step Value 5	0 - 127	
39	1	00-7F	User Wave Step Value 6	0 - 127	
3A	1	00-7F	User Wave Step Value 7	0 - 127	
3B	1	00-7F	User Wave Step Value 8	0 - 127	
3C	1	00-7F	User Wave Step Value 9	0 - 127	
3D	1	00-7F	User Wave Step Value 10	0 - 127	
3E	1	00-7F	User Wave Step Value 11	0 - 127	
3F	1	00-7F	User Wave Step Value 12	0 - 127	
40	1	00-7F	User Wave Step Value 13	0 - 127	
41	1	00-7F	User Wave Step Value 14	0 - 127	
42	1	00-7F	User Wave Step Value 15	0 - 127	
43	1	00-7F	User Wave Step Value 16	0 - 127	
44	1	00-7F	LFO Random Speed Depth	0 - 127	

TOTAL SIZE = 69 45 (HEX)

MIDI PARAMETER CHANGE TABLE (NORMAL VOICE ELEMENT)

Address	Size	Data Range (HEX)	Parameter Name	Description	Notes		
41	ee	00	1	00-01	Element Assign	0: off, 1: on	
		01	1	00-01	Wave Select	0: Preset, 1: User Wave	
		02	1	00-07	Element Group Number	0 - 7	
		03	2	00-7F 00-7F	Wave Number MSB Wave Number LSB	1 - 2670 (User: 1 - 1024) 1st bit 6-0 → bit 13-7	
		05	1	01	Rcv Note Off	ON	
		06	1	01	Key Assign	MULTI	
		07	1	00	Alternate Group	0: OFF	
		08	1	01-7F	Pan	L63 - C - R63	
		09	1	00-7F	Random Pan Depth	0 - 127	
		0A	1	00-7F	Alternate Pan Depth	L64 - 0 - R63	
		0B	1	00-7F	Scaling Pan Depth	-64 - +63	
		0C	1	00-07	XA Control	normal, legato, key off sound, wave cycle, wave random, all AF off, AF 1 on, AF 2 on	
		0D	1	00-7F	Note Limit Low	0 - 127	
		0E	1	00-7F	Note Limit High	0 - 127	
		0F	1	01-7F	Velocity Limit Low	1 - 127	
		10	1	01-7F	Velocity Limit High	1 - 127	
		11	1	00-7F	Velocity Cross Fade	0 - 127	
		12	1	00-7F	Key On Delay	0 - 127 (available only when the Tempo Sync is set to off)	
		13	1	00-01	Key On Delay Tempo Sync	0: off, 1: on	
		14	1	7F	Element Reverb Send Level	127	
		15	1	7F	Element Chorus Send Level	127	
		16	1	00	reserved	reserved for Element Var Send	
		17	1	00-02	Insertion Effect Switch	thru, insA, insB	
		18	1	00	Output Select	0: STEREO OUT	
		19	2	00-00 00-3F	Control Box Sw	bit 0-6: reserved bit 0-5: Box 1 - Box 6 bit 6: reserved	
		1B	2	00-00 00-07	LFO Box Sw	bit 0-6: reserved bit 0-2: Box 1 - Box 3 bit 3-6: reserved	
		1D	1	05-15	Key On Delay Tempo	5 - 21 (available only when the Tempo Sync is set to on) 16th, 8th/3, 16th., 8th, 4th/3, 8th., 4th, 2th/3, 4th., 2nd, Whole/3, 2nd., 4thX4, 4thX5, 4thX6, 4thX7, 4thX8	
		1E	1	00-01	Half Damper Switch	0: off, 1: on	
		1F	1	00	reserved		
		20	1	00-7F	Element Level	0 - 127	
		21	1	00-7F	Level Velocity Sensitivity	-64 - +63	
		22	1	00-7F	Level Velocity Offset	0 - 127	
		23	1	00-04	Level Sens Key Curve	00 - 04	
		24	1	00	reserved		
		25	1	00-7F	AEG Attack Time	0 - 127	
		26	1	00-7F	AEG Decay 1 Time	0 - 127	
		27	1	00-7F	AEG Decay 2 Time	0 - 127	
		28	1	00-7F	Half Damper Time	0 - 127	
		29	1	00-7F	AEG Release Time	0 - 127	
		2A	1	00-7F	AEG Init Level	0 - 127	
		2B	1	00-7F	AEG Attack Level	0 - 127	
		2C	1	00-7F	AEG Decay 1 Level	0 - 127	
		2D	1	00-7F	AEG Decay 2 Level	0 - 127	
		2E	1	00	reserved		
		2F	1	00-04	AEG Time Velocity Segment	ATK, ATK+DCY, DCY, ATK+RLS, ALL	
		30	1	00-7F	AEG Time Velocity Sensitivity	-64 - +63	
		31	1	00-7F	AEG Time Key Follow Sensitivity	-64 - +63	
		32	1	00-7F	AEG Time Key Follow Center Note	C-2 - G8	
		33	1	00-7C	Level Scaling Break Point 1	C-2 - E8	BP1<BP2<BP3<BP4
		34	1	01-7D	Level Scaling Break Point 2	C#-2 - F8	BP1<BP2<BP3<BP4
		35	1	02-7E	Level Scaling Break Point 3	D-2 - F#8	BP1<BP2<BP3<BP4
		36	1	03-7F	Level Scaling Break Point 4	D#-2 - G8	BP1<BP2<BP3<BP4
		37	2	00-01 00-7F	Level Scaling Offset 1	-128 - +127	
		39	2	00-01 00-7F	Level Scaling Offset 2	-128 - +127	
		3B	2	00-01 00-7F	Level Scaling Offset 3	-128 - +127	
		3D	2	00-01 00-7F	Level Scaling Offset 4	-128 - +127	
		3F	1	00-7F	Level Key Follow Sensitivity	-200% - +200%	
		40	1	00	reserved		
		41	1	10-70	Coarse Tune	-48 - +48	
		42	1	00-7F	Fine Tune	-64 - +63	
		43	1	00-7F	Pitch Velocity Sensitivity	-64 - +63	

Address	Size	Data Range (HEX)	Parameter Name	Description	Notes
46 02 00	2	00 - 7F 00 - 7F	Chorus Type MSB Chorus Type LSB	Refer to "Effect Parameter List."	
	02 1	00 - 7F	Template Number		
	03 2	00 - 7F 00 - 7F	Chorus Parameter 1 MSB Chorus Parameter 1 LSB	:	
	05 2	00 - 7F 00 - 7F	Chorus Parameter 2 MSB Chorus Parameter 2 LSB	:	
	07 2	00 - 7F 00 - 7F	Chorus Parameter 3 MSB Chorus Parameter 3 LSB	:	
	09 2	00 - 7F 00 - 7F	Chorus Parameter 4 MSB Chorus Parameter 4 LSB	:	
	0B 2	00 - 7F 00 - 7F	Chorus Parameter 5 MSB Chorus Parameter 5 LSB	:	
	0D 2	00 - 7F 00 - 7F	Chorus Parameter 6 MSB Chorus Parameter 6 LSB	:	
	0F 2	00 - 7F 00 - 7F	Chorus Parameter 7 MSB Chorus Parameter 7 LSB	:	
	11 2	00 - 7F 00 - 7F	Chorus Parameter 8 MSB Chorus Parameter 8 LSB	:	
	13 2	00 - 7F 00 - 7F	Chorus Parameter 9 MSB Chorus Parameter 9 LSB	:	
	15 2	00 - 7F 00 - 7F	Chorus Parameter 10 MSB Chorus Parameter 10 LSB	:	
	17 2	00 - 7F 00 - 7F	Chorus Parameter 11 MSB Chorus Parameter 11 LSB	:	
	19 2	00 - 7F 00 - 7F	Chorus Parameter 12 MSB Chorus Parameter 12 LSB	:	
	1B 2	00 - 7F 00 - 7F	Chorus Parameter 13 MSB Chorus Parameter 13 LSB	:	
	1D 2	00 - 7F 00 - 7F	Chorus Parameter 14 MSB Chorus Parameter 14 LSB	:	
	1F 2	00 - 7F 00 - 7F	Chorus Parameter 15 MSB Chorus Parameter 15 LSB	:	
	21 2	00 - 7F 00 - 7F	Chorus Parameter 16 MSB Chorus Parameter 16 LSB	:	
	23 1	00 - 7F	Chorus Return	→dB - 0dB - +6dB (0 - 96 - 127)	
	24 1	01 - 7F	Chorus Pan	L63 - C - R63	
	25 1	00 - 7F	Send Chorus To Reverb	→dB - 0dB (0 - 127)	

TOTAL SIZE = 38 26 (HEX)

Address	Size	Data Range (HEX)	Parameter Name	Description	Notes
46 03 00	2	00 - 7F 00 - 7F	Insertion-A Type MSB Insertion-A Type LSB	Refer to "Effect Parameter List."	
	02 1	00 - 7F	Template Number		
	03 2	00 - 7F 00 - 7F	Insertion-A Parameter 1 MSB Insertion-A Parameter 1 LSB	:	
	05 2	00 - 7F 00 - 7F	Insertion-A Parameter 2 MSB Insertion-A Parameter 2 LSB	:	
	07 2	00 - 7F 00 - 7F	Insertion-A Parameter 3 MSB Insertion-A Parameter 3 LSB	:	
	09 2	00 - 7F 00 - 7F	Insertion-A Parameter 4 MSB Insertion-A Parameter 4 LSB	:	
	0B 2	00 - 7F 00 - 7F	Insertion-A Parameter 5 MSB Insertion-A Parameter 5 LSB	:	
	0D 2	00 - 7F 00 - 7F	Insertion-A Parameter 6 MSB Insertion-A Parameter 6 LSB	:	
	0F 2	00 - 7F 00 - 7F	Insertion-A Parameter 7 MSB Insertion-A Parameter 7 LSB	:	
	11 2	00 - 7F 00 - 7F	Insertion-A Parameter 8 MSB Insertion-A Parameter 8 LSB	:	
	13 2	00 - 7F 00 - 7F	Insertion-A Parameter 9 MSB Insertion-A Parameter 9 LSB	:	
	15 2	00 - 7F 00 - 7F	Insertion-A Parameter 10 MSB Insertion-A Parameter 10 LSB	:	
	17 2	00 - 7F 00 - 7F	Insertion-A Parameter 11 MSB Insertion-A Parameter 11 LSB	:	
	19 2	00 - 7F 00 - 7F	Insertion-A Parameter 12 MSB Insertion-A Parameter 12 LSB	:	
	1B 2	00 - 7F 00 - 7F	Insertion-A Parameter 13 MSB Insertion-A Parameter 13 LSB	:	
	1D 2	00 - 7F 00 - 7F	Insertion-A Parameter 14 MSB Insertion-A Parameter 14 LSB	:	
	1F 2	00 - 7F 00 - 7F	Insertion-A Parameter 15 MSB Insertion-A Parameter 15 LSB	:	
	21 2	00 - 7F 00 - 7F	Insertion-A Parameter 16 MSB Insertion-A Parameter 16 LSB	:	

TOTAL SIZE = 35 23 (HEX)

Address	Size	Data Range (HEX)	Parameter Name	Description	Notes
46 04 00	2	00 - 7F 00 - 7F	Insertion-B Type MSB Insertion-B Type LSB	Refer to "Effect Parameter List."	
	02 1	00 - 7F	Template Number		
	03 2	00 - 7F 00 - 7F	Insertion-B Parameter 1 MSB Insertion-B Parameter 1 LSB	:	
	05 2	00 - 7F 00 - 7F	Insertion-B Parameter 2 MSB Insertion-B Parameter 2 LSB	:	
	07 2	00 - 7F 00 - 7F	Insertion-B Parameter 3 MSB Insertion-B Parameter 3 LSB	:	

Address	Size	Data Range (HEX)	Parameter Name	Description	Notes
	09 2	00 - 7F 00 - 7F	Insertion-B Parameter 4 MSB Insertion-B Parameter 4 LSB	:	
	0B 2	00 - 7F 00 - 7F	Insertion-B Parameter 5 MSB Insertion-B Parameter 5 LSB	:	
	0D 2	00 - 7F 00 - 7F	Insertion-B Parameter 6 MSB Insertion-B Parameter 6 LSB	:	
	0F 2	00 - 7F 00 - 7F	Insertion-B Parameter 7 MSB Insertion-B Parameter 7 LSB	:	
	11 2	00 - 7F 00 - 7F	Insertion-B Parameter 8 MSB Insertion-B Parameter 8 LSB	:	
	13 2	00 - 7F 00 - 7F	Insertion-B Parameter 9 MSB Insertion-B Parameter 9 LSB	:	
	15 2	00 - 7F 00 - 7F	Insertion-B Parameter 10 MSB Insertion-B Parameter 10 LSB	:	
	17 2	00 - 7F 00 - 7F	Insertion-B Parameter 11 MSB Insertion-B Parameter 11 LSB	:	
	19 2	00 - 7F 00 - 7F	Insertion-B Parameter 12 MSB Insertion-B Parameter 12 LSB	:	
	1B 2	00 - 7F 00 - 7F	Insertion-B Parameter 13 MSB Insertion-B Parameter 13 LSB	:	
	1D 2	00 - 7F 00 - 7F	Insertion-B Parameter 14 MSB Insertion-B Parameter 14 LSB	:	
	1F 2	00 - 7F 00 - 7F	Insertion-B Parameter 15 MSB Insertion-B Parameter 15 LSB	:	
	21 2	00 - 7F 00 - 7F	Insertion-B Parameter 16 MSB Insertion-B Parameter 16 LSB	:	

TOTAL SIZE = 35 23 (HEX)

Address	Size	Data Range (HEX)	Parameter Name	Description	Notes
40 05 00	2	00 - 7F 00 - 7F	Insertion-L Type MSB Insertion-L Type LSB	Refer to "Effect Parameter List."	
	02 1	00 - 7F	Template Number		
	03 2	00 - 7F 00 - 7F	Insertion-L Parameter 1 MSB Insertion-L Parameter 1 LSB	:	
	05 2	00 - 7F 00 - 7F	Insertion-L Parameter 2 MSB Insertion-L Parameter 2 LSB	:	
	07 2	00 - 7F 00 - 7F	Insertion-L Parameter 3 MSB Insertion-L Parameter 3 LSB	:	
	09 2	00 - 7F 00 - 7F	Insertion-L Parameter 4 MSB Insertion-L Parameter 4 LSB	:	
	0B 2	00 - 7F 00 - 7F	Insertion-L Parameter 5 MSB Insertion-L Parameter 5 LSB	:	
	0D 2	00 - 7F 00 - 7F	Insertion-L Parameter 6 MSB Insertion-L Parameter 6 LSB	:	
	0F 2	00 - 7F 00 - 7F	Insertion-L Parameter 7 MSB Insertion-L Parameter 7 LSB	:	
	11 2	00 - 7F 00 - 7F	Insertion-L Parameter 8 MSB Insertion-L Parameter 8 LSB	:	
	13 2	00 - 7F 00 - 7F	Insertion-L Parameter 9 MSB Insertion-L Parameter 9 LSB	:	
	15 2	00 - 7F 00 - 7F	Insertion-L Parameter 10 MSB Insertion-L Parameter 10 LSB	:	
	17 2	00 - 7F 00 - 7F	Insertion-L Parameter 11 MSB Insertion-L Parameter 11 LSB	:	
	19 2	00 - 7F 00 - 7F	Insertion-L Parameter 12 MSB Insertion-L Parameter 12 LSB	:	
	1B 2	00 - 7F 00 - 7F	Insertion-L Parameter 13 MSB Insertion-L Parameter 13 LSB	:	
	1D 2	00 - 7F 00 - 7F	Insertion-L Parameter 14 MSB Insertion-L Parameter 14 LSB	:	
	1F 2	00 - 7F 00 - 7F	Insertion-L Parameter 15 MSB Insertion-L Parameter 15 LSB	:	
	21 2	00 - 7F 00 - 7F	Insertion-L Parameter 16 MSB Insertion-L Parameter 16 LSB	:	
	23 2	00 - 7F 00 - 7F	Insertion-L Parameter 17 MSB Insertion-L Parameter 17 LSB	:	
	25 2	00 - 7F 00 - 7F	Insertion-L Parameter 18 MSB Insertion-L Parameter 18 LSB	:	
	27 2	00 - 7F 00 - 7F	Insertion-L Parameter 19 MSB Insertion-L Parameter 19 LSB	:	
	29 2	00 - 7F 00 - 7F	Insertion-L Parameter 20 MSB Insertion-L Parameter 20 LSB	:	
	2B 2	00 - 7F 00 - 7F	Insertion-L Parameter 21 MSB Insertion-L Parameter 21 LSB	:	
	2D 2	00 - 7F 00 - 7F	Insertion-L Parameter 22 MSB Insertion-L Parameter 22 LSB	:	
	2F 2	00 - 7F 00 - 7F	Insertion-L Parameter 23 MSB Insertion-L Parameter 23 LSB	:	
	31 2	00 - 7F 00 - 7F	Insertion-L Parameter 24 MSB Insertion-L Parameter 24 LSB	:	
	33 2	00 - 7F 00 - 7F	Insertion-L Parameter 25 MSB Insertion-L Parameter 25 LSB	:	
	35 2	00 - 7F 00 - 7F	Insertion-L Parameter 26 MSB Insertion-L Parameter 26 LSB	:	
	37 2	00 - 7F 00 - 7F	Insertion-L Parameter 27 MSB Insertion-L Parameter 27 LSB	:	
	39 2	00 - 7F 00 - 7F	Insertion-L Parameter 28 MSB Insertion-L Parameter 28 LSB	:	
	3B 2	00 - 7F 00 - 7F	Insertion-L Parameter 29 MSB Insertion-L Parameter 29 LSB	:	
	3D 2	00 - 7F 00 - 7F	Insertion-L Parameter 30 MSB Insertion-L Parameter 30 LSB	:	

MIDI Data Table

Address	Size	Data Range (HEX)	Parameter Name	Description	Notes
	3F	2	00 – 7F 00 – 7F	Insertion-L. Parameter 31 MSB Insertion-L. Parameter 31 LSB	:
	41	2	00 – 7F 00 – 7F	Insertion-L. Parameter 32 MSB Insertion-L. Parameter 32 LSB	:

TOTAL SIZE = 67 43 (HEX)

Address	Size	Data Range (HEX)	Parameter Name	Description	Notes
46	08	00	1	00 – 0E	Controller Set 1 Source 0: PB, 1: MW, 3: AT, 4: FC, 5: FS, 6: RB, 7: BC, 8: AS1, 9: AS2, 12: FC2, 13: AF1, 14: AF2
	01	2	00 00 – 23, 41 – 43	Controller Set 1 Destination MSB Controller Set 1 Destination LSB	0 – 32, 65 – 67
	03	1	00 – 7F	Controller Set 1 Depth	-64 – +63
	04	1		reserved	
	05	1	00 – 0E	Controller Set 2 Source 0: PB, 1: MW, 3: AT, 4: FC, 5: FS, 6: RB, 7: BC, 8: AS1, 9: AS2, 12: FC2, 13: AF1, 14: AF2	
	06	2	00 00 – 23, 41 – 43	Controller Set 2 Destination MSB Controller Set 2 Destination LSB	0 – 32, 65 – 67
	08	1	00 – 7F	Controller Set 2 Depth	-64 – +63
	09	1		reserved	
	0A	1	00 – 0E	Controller Set 3 Source 0: PB, 1: MW, 3: AT, 4: FC, 5: FS, 6: RB, 7: BC, 8: AS1, 9: AS2, 12: FC2, 13: AF1, 14: AF2	
	0B	2	00 00 – 23, 41 – 43	Controller Set 3 Destination MSB Controller Set 3 Destination LSB	0 – 32, 65 – 67
	0D	1	00 – 7F	Controller Set 3 Depth	-64 – +63
	0E	1		reserved	
	0F	1	00 – 0E	Controller Set 4 Source 0: PB, 1: MW, 3: AT, 4: FC, 5: FS, 6: RB, 7: BC, 8: AS1, 9: AS2, 12: FC2, 13: AF1, 14: AF2	
	10	2	00 00 – 23, 41 – 43	Controller Set 4 Destination MSB Controller Set 4 Destination LSB	0 – 32, 65 – 67
	12	1	00 – 7F	Controller Set 4 Depth	-64 – +63
	13	1		reserved	
	14	1	00 – 0E	Controller Set 5 Source 0: PB, 1: MW, 3: AT, 4: FC, 5: FS, 6: RB, 7: BC, 8: AS1, 9: AS2, 12: FC2, 13: AF1, 14: AF2	
	15	2	00 00 – 23, 41 – 43	Controller Set 5 Destination MSB Controller Set 5 Destination LSB	0 – 32, 65 – 67
	17	1	00 – 7F	Controller Set 5 Depth	-64 – +63
	18	1		reserved	
	19	1	00 – 0E	Controller Set 6 Source 0: PB, 1: MW, 3: AT, 4: FC, 5: FS, 6: RB, 7: BC, 8: AS1, 9: AS2, 12: FC2, 13: AF1, 14: AF2	
	1A	2	00 00 – 23, 41 – 43	Controller Set 6 Destination MSB Controller Set 6 Destination LSB	0 – 32, 65 – 67
	1C	1	00 – 7F	Controller Set 6 Depth	-64 – +63
	1D	1		reserved	

TOTAL SIZE = 30 1E (HEX)

MIDI PARAMETER CHANGE TABLE (DRUM VOICE KEY)

Address	Size	Data Range (HEX)	Parameter Name	Description	Notes
47	ee	00	1	00 – 01	Element Assign off, on
		01	1	00 – 02	Wave Type 0: Preset Wave 1: User Wave
		02	1	00	reserved
		03	1	00 – 01	Receive Note Off off, on
		04	1	00 – 01	Key Assign Mode single, multi
		05	1	00 – 7F	Alternate Group 0: off, 1 – 127
		06	2	00 – 7F	Wave Number MSB 1st bit 6-0 → bit 13-7
			2	00 – 7F	Wave Number LSB 2nd bit 6-0 → bit 6-0
		08	1	01 – 7F	Pan L63 – C – R63
		09	1	00 – 7F	Random Pan Depth 0 – 127
		0A	1	00 – 7F	Alternate Pan Depth L64 – 0 – R63
		0B	1	00 – 7F	Reverb Send Level 0 – 127
		0C	1	00 – 7F	Chorus Send Level 0 – 127
		0D	1		reserved
		0E	1	00 – 02	Insertion Effect Switch thru, insA, insB

Address	Size	Data Range (HEX)	Parameter Name	Description	Notes	
	0F	1	00 – 4F	Output Select	0: L&R, 8: asnL&R, 9-15: asn1&2, ..., asn13&14, 64-79: asnL, asnR, asn1, ..., asn14	
	10	1	00 – 7F	Element Level	0 – 127	
	11	1	00 – 7F	Level Velocity Sensitivity	-64 – +63	
	12	1	00	reserved		
	13	1	00 – 7F	AEG Attack Time	0 – 127	
	14	1	00 – 7F	AEG Decay 1 Time	0 – 127	
	15	1	00 – 7F	AEG Decay 2 Time	0 – 126, hold	
	16	1	00	reserved		
	17	1	00	reserved		
	18	1	00	reserved		
	19	1	00 – 7F	AEG Decay 1 Level	0 – 127	
	1A	1	00	reserved		
	1B	1	00	reserved		
	1C	1	10 – 70	Coarse Tune	-48 – +48	
	1D	1	00 – 7F	Fine Tune	-64 – +63	
	1E	1	00 – 7F	Pitch Velocity Sensitivity	-64 – +63	
	1F	1	00	reserved		
	20	2	00 – 01	LPF Cutoff Frequency MSB	0 – 255	
			2	00 – 7F	LPF Cutoff Frequency LSB	
	22	1	00 – 7F	LPF Cutoff Velocity Sensitivity	-64 – +63	
	23	1	00 – 7F	LPF Resonance	0 – 127	
	24	1	40	reserved		
	25	2	00 – 01	HPF Cutoff Frequency MSB	0 – 255	
			2	00 – 7F	HPF Cutoff Frequency LSB	
	27	1	00 – 05	EQ Type	EQ L/H, PEQ, Boost 6, Boost 12, Boost 18, thru	
	28	1	00 – 1F	EQ Resonance	0 – 31	
	29	2	00 – 01	EQ 1 Frequency MSB	EQ L/H: 46 – 182	
			2	00 – 7F	EQ 1 Frequency LSB P.EQ: 83 – 251	
	2B	1	20 – 60	EQ 1 GAIN	-32 – +32	
	2C	2	00 – 01	EQ 2 Frequency MSB	EQ L/H: 131 – 241	
			2	00 – 7F	EQ 2 Frequency LSB	
	2E	1	20 – 60	EQ 2 GAIN	-32 – +32	

TOTAL SIZE = 47 2F (HEX)

ee = Element Number (00h – 48h: C0 – C6)

MIDI PARAMETER CHANGE TABLE (MULTI COMMON for Pattern, Song)

Address	Size	Data Range (HEX)	Parameter Name	Description	Notes
36	00	00	1		reserved
		01	1		reserved
		02	1		reserved
		03	1		reserved
		04	1		reserved
		05	1		reserved
		06	1		reserved
		07	1		reserved
		08	1		reserved
		09	1		reserved
		0A	1		reserved
		0B	1		reserved
		0C	1		reserved
		0D	1		reserved
		0E	1		reserved
		0F	1		reserved
		10	1		reserved
		11	1		reserved
		12	1		reserved
		13	1		reserved
		14	1		reserved
		15	1		reserved
		16	1		reserved
		17	1		reserved
		18	1		reserved
		19	1		reserved
		1A	1		reserved
		1B	1		reserved
		1C	1		reserved
		1D	1		reserved
36	00	1E	1	00 – 05	Knob Function Select 0=Tone1, 1=Tone2, 2=ARP FX, 3=REV, 4=CHO, 5=PAN
		1F	1		reserved
		20	1		reserved
		21	1		reserved

Address	Size	Data Range (HEX)	Parameter Name	Description	Notes		
		22	1	reserved			
		23	1	reserved			
		24	1	reserved			
		25	1	reserved			
		26	1	reserved			
		27	1	reserved			
		28	1	reserved			
		29	1	reserved			
		2A	1	reserved			
		2B	1	reserved			
		2C	1	reserved			
		2D	2	reserved			
		2F	1	reserved			
		30	2	reserved			
		32	1	reserved			
		33	1	reserved			
		34	2	reserved			
		36	1	reserved			
		37	1	reserved			
		38	1	reserved			
		39	1	reserved			
		3A	1	reserved			
		3B	1	reserved			
		3C	1	reserved			
36	00	3D	1	00 – 7F	Assignable Knob 1 Value	-64 – +63	
		3E	1	00 – 7F	Assignable Knob 2 Value	-64 – +63	
		3F	1	00 – 01	Assignable Button 1 Mode	momentary, latch	
		40	1	00 – 01	Assignable Button 2 Mode	momentary, latch	
		41	1	00 – 01	RB Mode	hold, reset	
		42	1		reserved		
		43	1	00 – 5F	RB Control Number	off, 1 – 95	
		44	1	00 – 65	FS Assign	off, 1 – 95, ArpSw, Play/Stop, PCInc, PCDec, OctaveReset	
		45	1	00 – 5F	Assign 1 Control Number	off, 1 – 95	
		46	1	00 – 5F	Assign 2 Control Number	off, 1 – 95	
		47	1	00 – 5F	BC Control Number	off, 1 – 95	
		48	1	00 – 5F	FC1 Control Number	off, 1 – 95	
		49	1	00 – 5F	FC2 Control Number	off, 1 – 95	
		4A	1	00 – 5F	Assignable Button 1 Assign	off, 1 – 95	
		4B	1	00 – 5F	Assignable Button 2 Assign	off, 1 – 95	
		4C	1	01 – 02	A/D Insertion Connect Type	A->B, B->A	
		4D	4	00	Insertion Part Sw	reserved	Up to eight parts can be turned on simultaneously.
				00 – 7F		bit 0: off, on Part 15 bit 1: off, on Part 16 bit 2: off, on reserved bit 3: off, on reserved bit 4: off, on reserved bit 5: off, on Analog Part bit 6: off, on reserved	
				00 – 7F		bit 0: off, on Part 8 bit 1: off, on Part 9 bit 2: off, on Part 10 bit 3: off, on Part 11 bit 4: off, on Part 12 bit 5: off, on Part 13 bit 6: off, on Part 14	
				00 – 7F		bit 0: off, on Part 1 bit 1: off, on Part 2 bit 2: off, on Part 3 bit 3: off, on Part 4 bit 4: off, on Part 5 bit 5: off, on Part 6 bit 6: off, on Part 7	

TOTAL SIZE = 81 51 (HEX)

Address	Size	Data Range (HEX)	Parameter Name	Description	Notes	
36	30	00	1	00 – 04	ARP SF Select	SF1 – SF5
		01	2		reserved	
		03	1	00 – 01	ARP Switch	off, on
		04	1	00 – 07	ARP Synchro Quantize Value	off, 32th, 16th Triplet, 16th, 8th Triplet, 8th, 4th Triplet, 4th
		05	2	001C – 0164	ARP Quantize Strength Offset MSB ARP Quantize Strength Offset LSB	-100 – +100
		07	2	001C – 0164	ARP Gate Time Rate Offset MSB ARP Gate Time Rate Offset LSB	-100 – +100
		09	2	001C – 0164	ARP Velocity Rate Offset MSB ARP Velocity Rate Offset LSB	-100 – +100
		0B	2	0008 – 0178	ARP Swing Offset MSB ARP Swing Offset LSB	-120 – +120

TOTAL SIZE = 13 0D (HEX)

Address	Size	Data Range (HEX)	Parameter Name	Description	Notes	
36	01	00	2	00 – 7F 00 – 7F	Reverb Type MSB Reverb Type LSB	Refer to "Effect Parameter List."
		02	1	00 – 7F	Template Number	
		03	2	00 – 7F 00 – 7F	Reverb Parameter 1 MSB Reverb Parameter 1 LSB	:
		05	2	00 – 7F 00 – 7F	Reverb Parameter 2 MSB Reverb Parameter 2 LSB	:
		07	2	00 – 7F 00 – 7F	Reverb Parameter 3 MSB Reverb Parameter 3 LSB	:
		09	2	00 – 7F 00 – 7F	Reverb Parameter 4 MSB Reverb Parameter 4 LSB	:
		0B	2	00 – 7F 00 – 7F	Reverb Parameter 5 MSB Reverb Parameter 5 LSB	:
		0D	2	00 – 7F 00 – 7F	Reverb Parameter 6 MSB Reverb Parameter 6 LSB	:
		0F	2	00 – 7F 00 – 7F	Reverb Parameter 7 MSB Reverb Parameter 7 LSB	:
		11	2	00 – 7F 00 – 7F	Reverb Parameter 8 MSB Reverb Parameter 8 LSB	:
		13	2	00 – 7F 00 – 7F	Reverb Parameter 9 MSB Reverb Parameter 9 LSB	:
		15	2	00 – 7F 00 – 7F	Reverb Parameter 10 MSB Reverb Parameter 10 LSB	:
		17	2	00 – 7F 00 – 7F	Reverb Parameter 11 MSB Reverb Parameter 11 LSB	:
		19	2	00 – 7F 00 – 7F	Reverb Parameter 12 MSB Reverb Parameter 12 LSB	:
		1B	2	00 – 7F 00 – 7F	Reverb Parameter 13 MSB Reverb Parameter 13 LSB	:
		1D	2	00 – 7F 00 – 7F	Reverb Parameter 14 MSB Reverb Parameter 14 LSB	:
		1G	2	00 – 7F 00 – 7F	Reverb Parameter 15 MSB Reverb Parameter 15 LSB	:
		21	2	00 – 7F 00 – 7F	Reverb Parameter 16 MSB Reverb Parameter 16 LSB	:
		23	1	00 – 7F	Reverb Return	∞dB – 0dB – +6dB (0 – 96 – 127)
		24	1	01 – 7F	Reverb Pan	L63 – C – R63

TOTAL SIZE = 37 25 (HEX)

Address	Size	Data Range (HEX)	Parameter Name	Description	Notes	
36	02	00	2	00 – 7F 00 – 7F	Chorus Type MSB Chorus Type LSB	Refer to "Effect Parameter List."
		02	1	00 – 7F	Template Number	
		03	2	00 – 7F 00 – 7F	Chorus Parameter 1 MSB Chorus Parameter 1 LSB	:
		05	2	00 – 7F 00 – 7F	Chorus Parameter 2 MSB Chorus Parameter 2 LSB	:
		07	2	00 – 7F 00 – 7F	Chorus Parameter 3 MSB Chorus Parameter 3 LSB	:
		09	2	00 – 7F 00 – 7F	Chorus Parameter 4 MSB Chorus Parameter 4 LSB	:
		0B	2	00 – 7F 00 – 7F	Chorus Parameter 5 MSB Chorus Parameter 5 LSB	:
		0D	2	00 – 7F 00 – 7F	Chorus Parameter 6 MSB Chorus Parameter 6 LSB	:
		0F	2	00 – 7F 00 – 7F	Chorus Parameter 7 MSB Chorus Parameter 7 LSB	:
		11	2	00 – 7F 00 – 7F	Chorus Parameter 8 MSB Chorus Parameter 8 LSB	:
		13	2	00 – 7F 00 – 7F	Chorus Parameter 9 MSB Chorus Parameter 9 LSB	:
		15	2	00 – 7F 00 – 7F	Chorus Parameter 10 MSB Chorus Parameter 10 LSB	:
		17	2	00 – 7F 00 – 7F	Chorus Parameter 11 MSB Chorus Parameter 11 LSB	:
		19	2	00 – 7F 00 – 7F	Chorus Parameter 12 MSB Chorus Parameter 12 LSB	:
		1B	2	00 – 7F 00 – 7F	Chorus Parameter 13 MSB Chorus Parameter 13 LSB	:
		1D	2	00 – 7F 00 – 7F	Chorus Parameter 14 MSB Chorus Parameter 14 LSB	:
		1G	2	00 – 7F 00 – 7F	Chorus Parameter 15 MSB Chorus Parameter 15 LSB	:
		21	2	00 – 7F 00 – 7F	Chorus Parameter 16 MSB Chorus Parameter 16 LSB	:
		23	1	00 – 7F	Chorus Return	∞dB – 0dB – +6dB (0 – 96 – 127)
		24	1	01 – 7F	Chorus Pan	L63 – C – R63
		25	1	00 – 7F	Send Chorus To Reverb	∞dB – 0dB (0 – 127)

TOTAL SIZE = 38 26 (HEX)

Address	Size	Data Range (HEX)	Parameter Name	Description	Notes		
36	03	00	2	00 – 7F 00 – 7F	Insertion-A Type MSB Insertion-A Type LSB	Refer to "Effect Parameter List."	for A/D Part
		02	1	00 – 7F	Template Number		
		03	2	00 – 7F 00 – 7F	Insertion-A Parameter 1 MSB Insertion-A Parameter 1 LSB	:	:
		05	2	00 – 7F 00 – 7F	Insertion-A Parameter 2 MSB Insertion-A Parameter 2 LSB	:	:

MIDI Data Table

Address	Size	Data Range (HEX)	Parameter Name	Description	Notes
07	2	00 - 7F 00 - 7F	Insertion-A Parameter 3 MSB Insertion-A Parameter 3 LSB	:	:
09	2	00 - 7F 00 - 7F	Insertion-A Parameter 4 MSB Insertion-A Parameter 4 LSB	:	:
0B	2	00 - 7F 00 - 7F	Insertion-A Parameter 5 MSB Insertion-A Parameter 5 LSB	:	:
0D	2	00 - 7F 00 - 7F	Insertion-A Parameter 6 MSB Insertion-A Parameter 6 LSB	:	:
0F	2	00 - 7F 00 - 7F	Insertion-A Parameter 7 MSB Insertion-A Parameter 7 LSB	:	:
11	2	00 - 7F 00 - 7F	Insertion-A Parameter 8 MSB Insertion-A Parameter 8 LSB	:	:
13	2	00 - 7F 00 - 7F	Insertion-A Parameter 9 MSB Insertion-A Parameter 9 LSB	:	:
15	2	00 - 7F 00 - 7F	Insertion-A Parameter 10 MSB Insertion-A Parameter 10 LSB	:	:
17	2	00 - 7F 00 - 7F	Insertion-A Parameter 11 MSB Insertion-A Parameter 11 LSB	:	:
19	2	00 - 7F 00 - 7F	Insertion-A Parameter 12 MSB Insertion-A Parameter 12 LSB	:	:
1B	2	00 - 7F 00 - 7F	Insertion-A Parameter 13 MSB Insertion-A Parameter 13 LSB	:	:
1D	2	00 - 7F 00 - 7F	Insertion-A Parameter 14 MSB Insertion-A Parameter 14 LSB	:	:
1F	2	00 - 7F 00 - 7F	Insertion-A Parameter 15 MSB Insertion-A Parameter 15 LSB	:	:
21	2	00 - 7F 00 - 7F	Insertion-A Parameter 16 MSB Insertion-A Parameter 16 LSB	:	:

TOTAL SIZE = 35 23 (HEX)

Address	Size	Data Range (HEX)	Parameter Name	Description	Notes
46 04 00	2	00 - 7F 00 - 7F	Insertion-B Type MSB Insertion-B Type LSB	Refer to "Effect Parameter List."	for A/D Part
02	1	00 - 7F	Template Number		
03	2	00 - 7F 00 - 7F	Insertion-B Parameter 1 MSB Insertion-B Parameter 1 LSB	:	:
05	2	00 - 7F 00 - 7F	Insertion-B Parameter 2 MSB Insertion-B Parameter 2 LSB	:	:
07	2	00 - 7F 00 - 7F	Insertion-B Parameter 3 MSB Insertion-B Parameter 3 LSB	:	:
09	2	00 - 7F 00 - 7F	Insertion-B Parameter 4 MSB Insertion-B Parameter 4 LSB	:	:
0B	2	00 - 7F 00 - 7F	Insertion-B Parameter 5 MSB Insertion-B Parameter 5 LSB	:	:
0D	2	00 - 7F 00 - 7F	Insertion-B Parameter 6 MSB Insertion-B Parameter 6 LSB	:	:
0F	2	00 - 7F 00 - 7F	Insertion-B Parameter 7 MSB Insertion-B Parameter 7 LSB	:	:
11	2	00 - 7F 00 - 7F	Insertion-B Parameter 8 MSB Insertion-B Parameter 8 LSB	:	:
13	2	00 - 7F 00 - 7F	Insertion-B Parameter 9 MSB Insertion-B Parameter 9 LSB	:	:
15	2	00 - 7F 00 - 7F	Insertion-B Parameter 10 MSB Insertion-B Parameter 10 LSB	:	:
17	2	00 - 7F 00 - 7F	Insertion-B Parameter 11 MSB Insertion-B Parameter 11 LSB	:	:
19	2	00 - 7F 00 - 7F	Insertion-B Parameter 12 MSB Insertion-B Parameter 12 LSB	:	:
1B	2	00 - 7F 00 - 7F	Insertion-B Parameter 13 MSB Insertion-B Parameter 13 LSB	:	:
1D	2	00 - 7F 00 - 7F	Insertion-B Parameter 14 MSB Insertion-B Parameter 14 LSB	:	:
1F	2	00 - 7F 00 - 7F	Insertion-B Parameter 15 MSB Insertion-B Parameter 15 LSB	:	:
21	2	00 - 7F 00 - 7F	Insertion-B Parameter 16 MSB Insertion-B Parameter 16 LSB	:	:

TOTAL SIZE = 35 23 (HEX)

Address	Size	Data Range (HEX)	Parameter Name	Description	Notes
36 10 00	1	34 - 4C	EQ Gain 1	-12 - +12 [dB]	
01	1	04 - 28	EQ Frequency 1	32 - 2000 [Hz]	
02	1	01 - 78	EQ Q1	0.1 - 12.0	
03	1	00 - 01	EQ Shape 1	shelv, peak	
04	1	34 - 4C	EQ Gain 2	-12 - +12 [dB]	
05	1	0E - 36	EQ Frequency 2	100 - 10.0 [kHz]	
06	1	01 - 78	EQ Q2	0.1 - 12.0	
07	1	01	reserved		
08	1	34 - 4C	EQ Gain 3	-12 - +12 [dB]	
09	1	0E - 36	EQ Frequency 3	100 - 10.0 [kHz]	
0A	1	01 - 78	EQ Q3	0.1 - 12.0	
0B	1		reserved		
0C	1	34 - 4C	EQ Gain 4	-12 - +12 [dB]	
0D	1	0E - 36	EQ Frequency 4	100 - 10.0 [kHz]	
0E	1	01 - 78	EQ Q4	0.1 - 12.0	
0F	1		reserved		
10	1	34 - 4C	EQ Gain 5	-12 - +12 [dB]	
11	1	1C - 3A	EQ Frequency 5	0.5 - 16.0 [kHz]	
12	1	01 - 78	EQ Q5	0.1 - 12.0	
13	1	00 - 01	EQ Shape 5	shelv, peak	

TOTAL SIZE = 20 14 (HEX)

Address	Size	Data Range (HEX)	Parameter Name	Description	Notes
36 11 00	2	00 - 7F 00 - 7F	Master Effect Type MSB Master Effect Type LSB	Refer to "Effect Parameter List."	
02	1	00 - 7F	Template Number		
03	2	00 - 7F 00 - 7F	Master Effect Parameter 1 MSB Master Effect Parameter 1 LSB	:	:
05	2	00 - 7F 00 - 7F	Master Effect Parameter 2 MSB Master Effect Parameter 2 LSB	:	:
07	2	00 - 7F 00 - 7F	Master Effect Parameter 3 MSB Master Effect Parameter 3 LSB	:	:
09	2	00 - 7F 00 - 7F	Master Effect Parameter 4 MSB Master Effect Parameter 4 LSB	:	:
0B	2	00 - 7F 00 - 7F	Master Effect Parameter 5 MSB Master Effect Parameter 5 LSB	:	:
0D	2	00 - 7F 00 - 7F	Master Effect Parameter 6 MSB Master Effect Parameter 6 LSB	:	:
0F	2	00 - 7F 00 - 7F	Master Effect Parameter 7 MSB Master Effect Parameter 7 LSB	:	:
11	2	00 - 7F 00 - 7F	Master Effect Parameter 8 MSB Master Effect Parameter 8 LSB	:	:
13	2	00 - 7F 00 - 7F	Master Effect Parameter 9 MSB Master Effect Parameter 9 LSB	:	:
15	2	00 - 7F 00 - 7F	Master Effect Parameter 10 MSB Master Effect Parameter 10 LSB	:	:
17	2	00 - 7F 00 - 7F	Master Effect Parameter 11 MSB Master Effect Parameter 11 LSB	:	:
19	2	00 - 7F 00 - 7F	Master Effect Parameter 12 MSB Master Effect Parameter 12 LSB	:	:
1B	2	00 - 7F 00 - 7F	Master Effect Parameter 13 MSB Master Effect Parameter 13 LSB	:	:
1D	2	00 - 7F 00 - 7F	Master Effect Parameter 14 MSB Master Effect Parameter 14 LSB	:	:
1G	2	00 - 7F 00 - 7F	Master Effect Parameter 15 MSB Master Effect Parameter 15 LSB	:	:
21	2	00 - 7F 00 - 7F	Master Effect Parameter 16 MSB Master Effect Parameter 16 LSB	:	:
23	1	00 - 01	Master Effect ON/OFF	0: OFF; 1: ON	

TOTAL SIZE = 36 24 (HEX)

MIDI PARAMETER CHANGE TABLE (MULTI PART for Pattern, Song)

Address	Size	Data Range (HEX)	Parameter Name	Description	Notes
37 pp 00	1		reserved		
01	1	00 - 7F	Bank Select MSB	0 - 127	
02	1	00 - 7F	Bank Select LSB	0 - 127	
03	1	00 - 7F	Program Number	1 - 128	
04	1	00 - 0F, 7F	Receive Channel	1 - 16, off (7F)	
05	1	00 - 01	Part Mode	mono, poly	
06	1	01 - 7F	Velocity Limit Low	1 - 127	
07	1	01 - 7F	Velocity Limit High	1 - 127	
08	1	00 - 7F	Note Limit Low	C-2 - G8	
09	1	00 - 7F	Note Limit High	C-2 - G8	
0A	1	10 - 58	Pitch Bend Range Upper	-48 - +24	
0B	1	10 - 58	Pitch Bend Range Lower	-48 - +24	
0C	1	00 - 7F	Velocity Sense Depth	0 - 127	
0D	1	00 - 7F	Velocity Sense Offset	0 - 127	
0E	1	00 - 7F	Volume	0 - 127	
0F	1	01 - 7F	Pan	L63 - C - R63	
10	1		reserved		
11	2	00 - 0F 00 - 0F	Detune MSB Detune LSB	-12.8 - +12.7 [Hz] 1st bit 3-0 → bit 7-4 2nd bit 3-0 → bit 3-0	
13	1	00 - 7F	Reverb Send	0 - 127	
14	1	00 - 7F	Chorus Send	0 - 127	
15	1	00 - 7F	reserved		
16	1	00 - 7F	Dry Level	0 - 127	
17	1	28 - 58	Note Shift	-24 - +24 [semitones]	
18	1		reserved		
19	1	00 - 01	Param. with Voice	off, on	
1A	1	00 - 01	Voice with ARP	off, on	
1B	1	00 - 01	Portamento Switch	off, on	
1C	1	00 - 7F	Portamento Time	0 - 127	
1D	1	00 - 01	Portamento Mode	fingered, fulltime	
1E	1		reserved		
1F	1	00 - 7F	Output Select	0: L&R; 8: asL&R; 9-15: mLAN1&2, ..., mLAN13&14, 64-79: asL, asR, mLAN1, ..., mLAN14, 112: Ins L 127: drum (or L&R)	The setting of "drum" is available only when a Drum Voice is selected.
37 pp 20	1	00 - 7F	reserved Receive Control Change Receive Bank Select Receive Program Change Receive AT Receive PB	bit 0: reserved bit 2: off, on Control Change bit 3: off, on Bank Select bit 4: off, on Program Change bit 5: off, on AT bit 6: off, on PB	

Address	Size	Data Range (HEX)	Parameter Name	Description	Notes	
		21 1	00 - 7F	Receive Volume/Expression Receive Pan Receive Sustain/Sostenuto Receive MW reserved Receive FC1 Receive FC2	bit 0: off, on Volume/ Expression bit 1: off, on Pan bit 2: off, on Sustain/ Sostenuto bit 3: off, on MW bit 4: reserved bit 5: off, on FC1 bit 6: off, on FC2	
		22 1	00 - 7F	Receive FS Receive BC Receive RB Receive Assignable Knob 1 Receive Assignable Knob 2 Receive Assignable Button 1 Receive Assignable Button 2	bit 0: off, on FS bit 1: off, on BC bit 2: off, on RB bit 3: off, on AS1 bit 4: off, on AS2 bit 5: off, on AF1 bit 6: off, on AF2	
37	pp	23 1	00 - 01	Voice Pan on/off	off, on	
		24 1	00 - 7F	AEG Attack Time	-64 - +63	
		25 1	00 - 7F	AEG Decay Time	-64 - +63	
		26 1	00 - 7F	AEG Sustain Level	-64 - +63	
		27 1	00 - 7F	AEG Release Time	-64 - +63	
		28 1	00 - 7F	FEG Attack Time	-64 - +63	
		29 1	00 - 7F	FEG Decay Time	-64 - +63	
		2A 1	00 - 7F	FEG Sustain Level	-64 - +63	
		2B 1	00 - 7F	FEG Release Time	-64 - +63	
		2C 1	00 - 7F	FEG Depth	-64 - +63	
		2D 1	00 - 7F	reserved		
		2E 1	00 - 7F	Filter Cutoff Frequency	-64 - +63	
		2F 1	00 - 7F	Filter Resonance/Width	-64 - +63	
37	pp	30 1	00	reserved		
		31 2	002E - 0136	Low Frequency MSB Low Frequency LSB	50.1 - 2.00k	
		33 1	20 - 60	Low Gain	-32 - +32	
		34 1	00	reserved		
		35 2	0053 - 0171	Mid Frequency MSB Mid Frequency LSB	139.7 - 10.1k	
		37 1	20 - 60	Mid Gain	-32 - +32	
		38 1	00 - 1F	Mid Q	0 - 31	
		39 2	0103 - 017F	High Frequency MSB High Frequency LSB	503.8 - 14k	
		3B 1	20 - 60	High Gain	-32 - +32	
		3C 1	00	reserved		

TOTAL SIZE = 61 3D (HEX)
pp = part number
00 - 0F Part 1 - 16 (Normal, Drum, Sample)

Address	Size	Data Range (HEX)	Parameter Name	Description	Notes
38	pp	00 1	00 - 01	ARP Switch	off, on
		01 1	00 - 01	ARP MIDI Out Switch	off, on
		02 1	00 - 10	ARP MIDI Out Channel	1 - 16, kbd-ch
		03 1		reserved	
		04 2		reserved	
		06 1	00 - 01	ARP Loop	off, on
		07 1	00 - 02	ARP Hold	sync-off, off, on
		08 1	00 - 06	ARP Unit Multiply	50%, 66%, 75%, 100%, 133%, 150%, 200%
		09 1	00 - 7F	ARP Note Limit Low	C-2 - G8
		0A 1	00 - 7F	ARP Note Limit High	C-2 - G8
		0B 1	01 - 7F	ARP Velocity Limit Low	1 - 127
		0C 1	01 - 7F	ARP Velocity Limit High	1 - 127
		0D 1	00 - 04	ARP Key Mode	sort, thru, direct, sort +direct, thru+direct
		0E 1	00 - 01	ARP Vel Mode	original, thru
		0F 1	00 - 01	ARP Change Timing	realtime, measure
		10 1	01 - 07	ARP Quantize Value	32th, 16th Triplet, 16th, 8th Triplet, 8th, 4th Triplet, 4th
		11 1	00 - 64	ARP Quantize Strength	0 - 100%
		12 2	0000 - 0148	ARP Velocity Rate MSB ARP Velocity Rate LSB	0 - 200%
		14 2	0000 - 0148	ARP Gate Time Rate MSB ARP Gate Time Rate LSB	0 - 200%
		16 2		reserved	
		18 2		reserved	
		1A 2	0008 - 0178	ARP Swing MSB ARP Swing LSB	-120 - 0 - +120
		1C 1	00 - 7F	ARP Accent Velocity Threshold	off, 1 - 127
		1D 1	00 - 01	ARP Accent Start Quantize	off, on
		1E 1	3D - 43	ARP Octave Range	-3 - 0 - +3
		1F 1	36 - 4A	ARP Output Octave Shift	-10 - 0 - +10
		20 1	00 - 01	ARP Trigger Mode	Gate, Toggle
		21 1	00 - 01	ARP Random SFX	off, on
		22 1	00 - 01	ARP Random SFX Key On Control	off, on
		23 1	00 - 7F	ARP Random SFX Velocity Offset	-64 - 0 - +63
		24 2	001C - 0164	ARP Assign Velocity Rate Offset SF1 MSB ARP Assign Velocity Rate Offset SF1 LSB	-100 - 0 - +100

Address	Size	Data Range (HEX)	Parameter Name	Description	Notes
		26 2	001C - 0164	ARP Assign Gate Time Offset SF1 MSB ARP Assign Gate Time Offset SF1 LSB	-100 - 0 - +100
		28 2	001C - 0164	ARP Assign Velocity Rate Offset SF2 MSB ARP Assign Velocity Rate Offset SF2 LSB	-100 - 0 - +100
		2A 2	001C - 0164	ARP Assign Gate Time Offset SF2 MSB ARP Assign Gate Time Offset SF2 LSB	-100 - 0 - +100
		2C 2	001C - 0164	ARP Assign Velocity Rate Offset SF3 MSB ARP Assign Velocity Rate Offset SF3 LSB	-100 - 0 - +100
		2E 2	001C - 0164	ARP Assign Gate Time Offset SF3 MSB ARP Assign Gate Time Offset SF3 LSB	-100 - 0 - +100
		30 2	001C - 0164	ARP Assign Velocity Rate Offset SF4 MSB ARP Assign Velocity Rate Offset SF4 LSB	-100 - 0 - +100
		32 2	001C - 0164	ARP Assign Gate Time Offset SF4 MSB ARP Assign Gate Time Offset SF4 LSB	-100 - 0 - +100
		34 2	001C - 0164	ARP Assign Velocity Rate Offset SF5 MSB ARP Assign Velocity Rate Offset SF5 LSB	-100 - 0 - +100
		36 2	001C - 0164	ARP Assign Gate Time Offset SF5 MSB ARP Assign Gate Time Offset SF5 LSB	-100 - 0 - +100
		38 2	00 - 7F 00 - 7F	ARP SF1 Assign Type MSB ARP SF1 Assign Type LSB	---
		3A 2	00 - 7F 00 - 7F	ARP SF2 Assign Type MSB ARP SF2 Assign Type LSB	---
		3C 2	00 - 7F 00 - 7F	ARP SF3 Assign Type MSB ARP SF3 Assign Type LSB	---
		3E 2	00 - 7F 00 - 7F	ARP SF4 Assign Type MSB ARP SF4 Assign Type LSB	---
		40 2	00 - 7F 00 - 7F	ARP SF5 Assign Type MSB ARP SF5 Assign Type LSB	---

TOTAL SIZE = 66 42 (HEX)
pp = part number
00 - 0F Part 1 - 16 (Normal, Drum, Sample)

Address	Size	Data Range (HEX)	Parameter Name	Description	Notes
39	pp	00 1	00 - 03	Audio Input Mode	L mono, R mono, L+R mono, stereo
		01 1	00 - 7F	Audio Input Part Volume	0 - 127
		02 1	01 - 7F	Audio Input Part Pan	L63 - C - R63
		03 1	00 - 7F	Audio Input Part Reverb Send	0 - 127
		04 1	00 - 7F	Audio Input Part Chorus Send	0 - 127
		05 1	00 - 7F	reserved	
		06 1	00 - 7F	Audio Input Part Dry Level	0 - 127
		07 1	00 - 4F	Audio Input Part Output Select	0: L&R, 8: asnL&R, 9-15: mLAN1&2 ... mLAN13&14, 64- 79: asnL, asnR, mLAN1 ... mLAN14

TOTAL SIZE = 8 08 (HEX)
pp = part number
40 - 4F Audio In Part (A/D, mLAN1)

Function...	Transmitted	Recognized	Remarks
Basic Channel Default Changed	1 - 16 X	1 - 16 X	Memorized
Mode Default Messages Altered	X X *****	X X X	
Note Number : True voice	0 - 127 *****	0 - 127	
Velocity Note ON Note OFF	O 9nH,v=1-127 X 9nH,v=0	O 9nH,v=1-127 X 9nH,v=0	
After Touch Key's Ch's	O O	O O	
Pitch Bend	O	O	
Control Change 0-121	O	O	
Prog Change : True #	O 0 - 127 *****	O 0 - 127	
System Exclusive	O	O	
Common : Song Pos. : Song Sel. : Tune	O *2 O *2 X	O *1 O *1 X	
System : Clock Real Time : Commands	O *2 O *2	O *3 O *1	
Aux : All Sound Off : Reset All Cntrls : Local ON/OFF Mes- : All Notes OFF sages: Active Sense : Reset	O O O O X X	O O O O X X	
Notes: *1 if Sequencer Control in/out is enabled. *2 if MIDI clock out is on. *3 if MIDI Sync is MIDI. send MMC (stop, deferred play, locate) if sync mode is MTC. receive MTC quarter frame message if sync mode is MTC.			

Mode 1 : OMNI ON , POLY
 Mode 3 : OMNI OFF, POLY

Mode 2 : OMNI ON ,MONO
 Mode 4 : OMNI OFF,MONO

O : Yes
 X : No

Function...	Transmitted	Recognized	Remarks	
Basic Channel	Default Changed	1 - 16 1 - 16	1 - 16 1 - 16	Memorized
Mode	Default Messages Altered	3 X *****	1 1 - 4 (m=1) *2 X	Memorized
Note Number : True voice		0 - 127 *****	0 - 127 0 - 127	Transpose
Velocity	Note ON Note OFF	O 9nH, v=1-127 X 9nH, v=0	O v=1-127 X	
After Touch	Key's Ch's	X O	X O *1	
Pitch Bend		O	O *1	
Control Change	0,32 1,7,10,11 6,38 64 65 66 71-75 91,93 96-97 100-101 1-95	O O X O X X O O X X O	O O O O O O O O O O O O	*1 *1 *1 *1 *1 *1 *1 *1 *1 *1 *1 *1 *1 Data Entry Sustain Sw Portamento Sw Sostenuto Sound Controller Effect Depth RPN Inc,Dec RPN LSB,MSB Assignable Cntrl
Prog Change : True #		O 0 - 127 *****	O 0 - 127 0 - 127	
System Exclusive		O	O	
Common	: Song Pos. : Song Sel. : Tune	X X X	X X X	
System Real Time	: Clock : Commands	X X	O X	
Aux Mes-sages	: All Sound Off : Reset All Cntrls : Local ON/OFF : All Notes OFF : Active Sense : Reset	X X X X O X	O (120,126,127) O (121) X O (123-125) O X	

Notes: *1 if receive switch is on.
 *2 m is always treated as "1" regardless of its value.

Mode 1 : OMNI ON , POLY
 Mode 3 : OMNI OFF, POLY

Mode 2 : OMNI ON ,MONO
 Mode 4 : OMNI OFF,MONO

O : Yes
 X : No



U.R.G., Pro Audio & Digital Musical Instrument Division, Yamaha Corporation
© 2007 Yamaha Corporation

This document is printed on chlorine free (ECF) paper with soy ink.

WG97480 801MWDH7.3-04C0
Printed in Japan