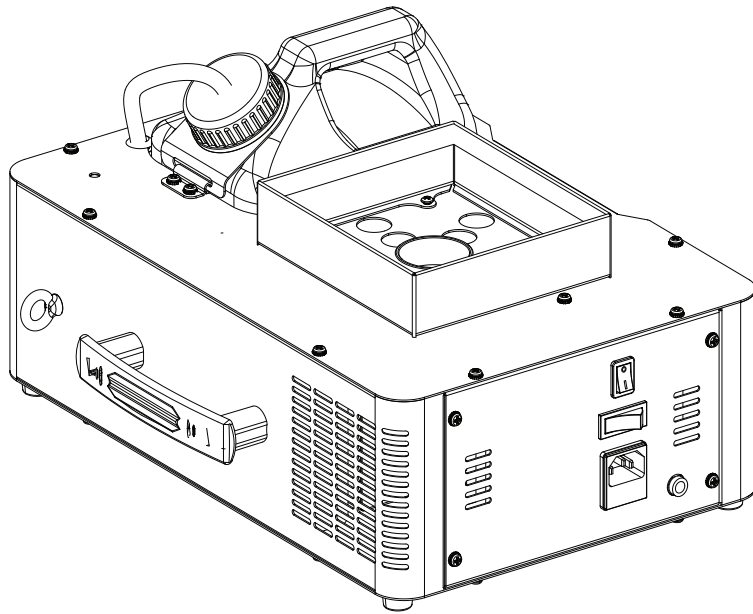




FOG FURY JETT



Caution: Fog Machines may set off Smoke Alarms!

User Instructions

©2014 ADJ Products, LLC all rights reserved. Information, specifications, diagrams, images, and instructions herein are subject to change without notice. ADJ Products, LLC logo and identifying product names and numbers herein are trademarks of ADJ Products, LLC. Copyright protection claimed includes all forms and matters of copyrightable materials and information now allowed by statutory or judicial law or hereinafter granted. Product names used in this document may be trademarks or registered trademarks of their respective companies and are hereby acknowledged. All non-ADJ Products, LLC brands and product names are trademarks or registered trademarks of their respective companies.

ADJ Products, LLC and all affiliated companies hereby disclaim any and all liabilities for property, equipment, building, and electrical damages, injuries to any persons, and direct or indirect economic loss associated with the use or reliance of any information contained within this document, and/or as a result of the improper, unsafe, insufficient and negligent assembly, installation, rigging, and operation of this product.

Europe Energy Saving Notice

Energy Saving Matters (EuP 2009/125/EC)

Saving electric energy is a key to help protecting the environment. Please turn off all electrical products when they are not in use. To avoid power consumption in idle mode, disconnect all electrical equipment from power when not in use. Thank you!

Introduction: Congratulations, you have just purchased one of the most reliable fog machines on the market today! The Fog Fury Jett commercial fog machine have been designed to perform reliably for years when the guidelines in this booklet are followed. Please read and understand the instructions in this manual carefully and thoroughly before attempting to operate this unit. These instructions contain important information regarding safety during use and maintenance.

Customer Support: ADJ Products, LLC provides a toll free customer support line, to provide set up help and to answer any question should you encounter problems during your set up or initial operation. You may also visit us on the web at www.adj.com for any comments or suggestions. For service related issue please contact ADJ Products, LLC. Service Hours are Monday through Friday 8:00 a.m. to 4:30 p.m. Pacific Standard Time.

Voice: (800) 322-6337

Fax: (323) 582-2941

E-mail: support@americandj.com

To purchase parts online visit <http://parts.americandj.com>

Warning! To prevent or reduce the risk of electrical shock or fire, do not expose this unit to rain or moisture.

Caution! There are no user serviceable parts inside this unit. Do not attempt any repairs yourself, doing so will void your manufactures warranty. In the unlikely event your unit may require service please contact ADJ Products, LLC.

Do not discard the shipping carton in the trash. Please recycle when ever possible.

SAFETY ISSUES:

NEVER POINT OR AIM A FOG MACHINE TOWARDS PEOPLE OR THEIR CLOTHING. THIS UNIT EMITS HOT VAPOR AND SHOULD BE USED WITH THE SAME CARE THAT YOU WOULD OBSERVE WHEN USING AN ELECTRIC KETTLE OR IRON.

Please Note: Specifications and improvements in the design of this unit and this manual are subject to change without any prior written notice.

- Be sure to save the packing carton in the unlikely event the unit may have to be returned for service
- Do not spill water or other liquids into or on to your fogger. Be sure that all the fog fluid is kept inside the fluid reservoir
- Be sure that the local power outlet match that or the required voltage for your fog machine
- Do not remove the top cover under any conditions. There are no user serviceable parts inside
- Disconnect the unit's main power when left unused for long periods of time
- Never connect this unit to a dimmer pack
- Do not attempt to operate this unit, if it becomes damaged in anyway
- Never operate this unit when it's cover is removed
- To reduce the risk of electrical shock or fire, do not expose this unit rain or moisture
- Do not attempt to operate this unit if the power cord has been frayed or broken. Do not attempt to remove or break off the ground prong from the electrical cord. This prong is used to reduce the risk of electrical shock and fire in case of an internal short
- Disconnect from main power before making any type of connection
- Never block the ventilation holes. Always be sure to mount this unit in an area that will allow proper ventilation. Allow about 6" (15cm) between this device and a wall
- This unit is intended for indoor use only, use of this product outdoors voids all warranties
- Always mount this unit in a safe and stable matter
- Please route your power cord out of the way of foot traffic. Power cords should be routed so they are not likely to be walked on, pinched by items placed upon or against them
- The unit should only be serviced by qualified service personnel when:
 - A. The power-supply cord or the plug has been damaged.
 - B. Objects have fallen, or liquid has been spilled into the unit.
 - C. The unit has been exposed to rain or water.
 - D. The appliance does not appear to operate normally or exhibits a marked change in performance.

Power Supply: Before plugging your unit in, be sure the source voltage in your area matches the required voltage for your ADJ Fog Fury Jett. The ADJ Fog Fury Jett is available in a 120v and 230v version. Because line voltage may vary from venue to venue, you should be sure your unit voltage matches the wall outlet voltage before attempting to operate you fixture.

DMX-512: DMX is short for Digital Multiplex. This is a universal protocol used as a form of communication between intelligent fixtures and controllers. A DMX controller sends DMX data instructions from the controller to the fixture. DMX data is sent as serial data that travels from fixture to fixture via the DATA “IN” and DATA “OUT” XLR terminals located on all DMX fixtures (most controllers only have a DATA “OUT” terminal).

DMX Linking: DMX is a language allowing all makes and models of different manufactures to be linked together and operate from a single controller, as long as all fixtures and the controller are DMX compliant. To ensure proper DMX data transmission, when using several DMX fixtures try to use the shortest cable path possible. The order in which fixtures are connected in a DMX line does not influence the DMX addressing. For example; a fixture assigned a DMX address of 1 may be placed anywhere in a DMX line, at the beginning, at the end, or anywhere in the middle. When a fixture is assigned a DMX address of 1, the DMX controller knows to send DATA assigned to address 1 to that unit, no matter where it is located in the DMX chain.

Data Cable (DMX Cable) Requirements (For DMX Operation):

The Fog Fury Jett can be controlled via DMX-512 protocol. The Fog Fury Jett has 5 DMX channel modes. The DMX address is set on the back panel. Your unit and your DMX controller require a standard 3-pin XLR connector for data input and data output (Figure 1). We recommend Accu-Cable DMX cables. If you are making your own cables, be sure to use standard 110-120 Ohm shielded cable (This cable may be purchased at almost all pro lighting stores). Your cables should be made with a male and female XLR connector on either end of the cable. Also remember that DMX cable must be daisy chained and cannot be split.



Figure 1

Notice: Be sure to follow figures two and three when making your own cables. Do not use the ground lug on the XLR connector. Do not connect the cable’s shield conductor to the ground lug or allow the shield conductor to come in contact with the XLR’s outer casing. Grounding the shield could cause a short circuit and erratic behavior.

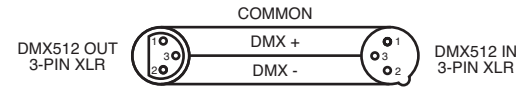


Figure 2

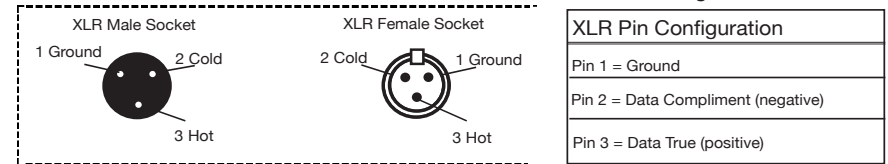


Figure 3

XLR Pin Configuration	
Pin 1 =	Ground
Pin 2 =	Data Compliment (negative)
Pin 3 =	Data True (positive)

Special Note: Line Termination. When longer runs of cable are used, you may need to use a terminator on the last unit to avoid erratic behavior. A terminator is a 110-120 ohm 1/4 watt resistor which is connected between pins 2 and 3 of a male XLR connector (DATA + and DATA -). This unit is inserted in the female XLR connector of the last unit in your daisy chain to terminate the line. Using a cable terminator (ADJ part number Z-DMX/T) will decrease the possibilities of erratic behavior.



Termination reduces signal errors and avoids signal transmission problems and interference. It is always advisable to connect a DMX terminal. (Resistance 120 Ohm 1/4 W) between PIN 2 (DMX-) and PIN 3 (DMX +) of the last fixture.

Figure 4

5-Pin XLR DMX Connectors. Some manufactures use 5-pin DMX-512 data cables for DATA transmission in place of 3-pin. 5-pin DMX fixtures may be implemented in a 3-pin DMX line. When inserting standard 5-pin data cables in to a 3-pin line a cable adaptor must be used, these adaptors are readily available at most electric stores. The chart below details a proper cable conversion.

3-Pin XLR to 5-Pin XLR Conversion		
Conductor	3-Pin XLR Female (Out)	5-Pin XLR Male (In)
Ground/Shield	Pin 1	Pin 1
Data Compliment (- signal)	Pin 2	Pin 2
Data True (+ signal)	Pin 3	Pin 3
Not Used		Do Not Use
Not Used		Do Not Use

Fog Fury Jett

Layout



- | | |
|--------------------|---|
| A. 12 LEDs | K. Enter |
| B. Handle | L. Manual Fog |
| C. Fog Fluid Tank | M. DMX 3 pin XLR Input |
| D. Tank Fixed Ring | N. DMX 3 pin XLR Output |
| E. Safety Loop | O. Control Socket Connection |
| F. Power Switch | P. Electric Power Cord with Fuse Holder |
| G. LED display | Q. Visible Fog Fluid Level Indicator |
| H. Menu | R. M10*P1.5 C Clamp Installation |
| I. Up | S. Safety Loop hole |
| J. Down | |

Fog Fury Jett

Description

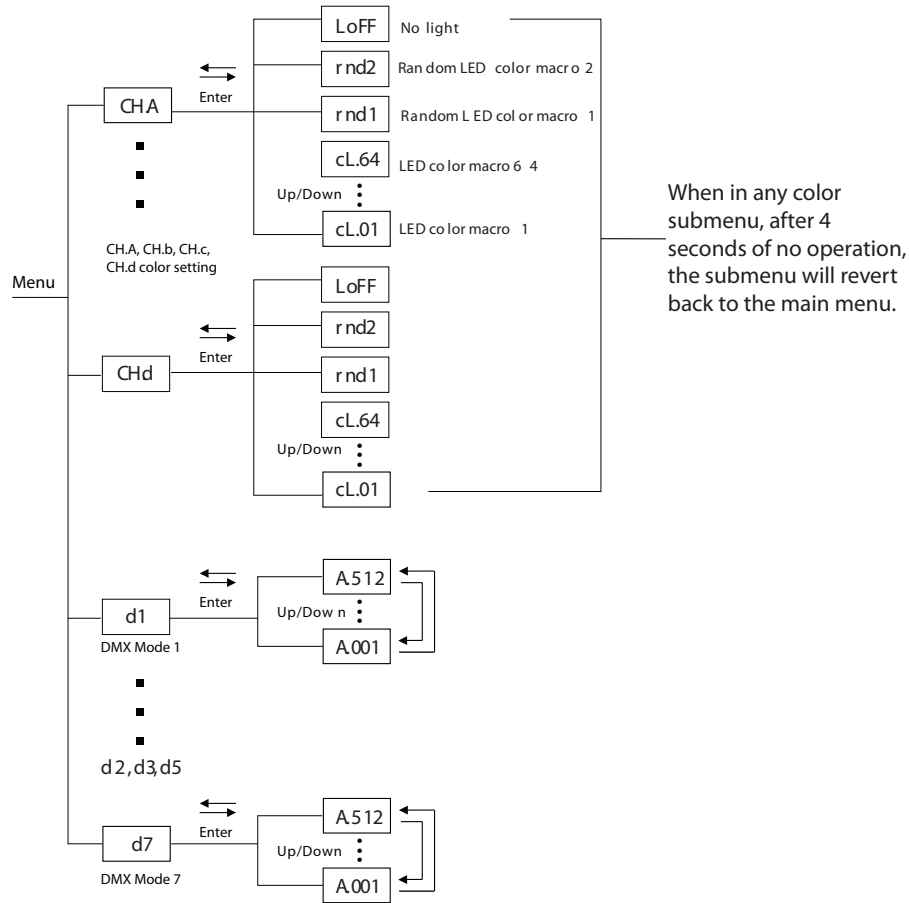
The new Fog Fury Jett fog machine features a fog juice level sensor. When the fog juice level is low, a LED below the reservoir will flash. When the fog juice level reaches a lower level, a built-in sensor inside the reservoir will automatically shut off the pump. This will greatly expand the life of the pump. The new Fog Fury Jett fog machine included a revolutionary new heating element that has been specially designed to prevent excessive particle build up that can cause premature fogger failure. The fog machine also includes a remote control, that may be removed for periods on non-use.

Fog Fury Jett

Set-Up

1. Open the shipping carton and carefully remove the unit from the shipping carton.
2. Be sure to remove all the packing material especially around the nozzle.
3. Set the fog machine on a flat dry surface. Fill the fog fluid reservoir with American DJ brand fog juice. Place the feeder tube with the filter deep inside the reservoir and tighten the cap.
4. Firmly attach the remote control receiver to the rear remote control socket on the unit.
5. Plug the unit in to a matching power supply. At this time the red LED located on the remote receiver will glow red, this indicates that the unit is heating up. Wait about nine minutes for the fogger to reach normal operating temperature. When it has reached the temperature, the green LED on the remote receiver will glow.
6. Either press the remote button to emit fog or use the manual button on the rear of the unit to emit fog.
7. Follow the operating instructions on the next few pages for proper operation.

NOTE: If the LED under the reservoir begins to flash, this indicates that fog juice fluid is low.



dX - DMX Address Setting.

1. Press the either the MENU button until “dX” is displayed. “X” represents the current DMX channel mode that is displayed. There are 5 DMX channel modes. See pages 12-13 for the DMX channel modes and traits.
2. When you find your desired DMX channel mode press the ENTER button. “A.XXX” will be displayed. “XXX” represents the current displayed DMX address. Use the UP or DOWN buttons to find your desired DMX address.

CH.X - This is the wireless remote channel setting.

1. Press the MENU button until “CH.X” is displayed. “X” represents the current remote channel that is displayed (A-d). “A-D” correspond to the buttons on the wireless remote. Example: If the fixture is set to “CH.B” the corresponding button on the remote will emit fog when the button is pressed. **Note: You can set more than one machine to the same wireless remote setting.**
2. Press the ENTER button to access the color macro submenu. Use the UP or DOWN buttons to scroll through and select 1 of 64 color macros or random macros. When you press the corresponding button on the wireless remote to the setting (A-d) you have selected on the unit, the color you have selected will be the color that is output along with the fog that is emitted. **Note: When in any color submenu, after 4 seconds of no operation, fixture will revert back to “CH.A”.**

DMX Mode:

Operating through a DMX controller gives the user the freedom to create their own programs tailored to their own individual needs. DMX control for the Fog Fury Jett can be used to just control light output with no fog output, or it can be used to control both. The Fog Fury Jett has 5 DMX channel modes; 1, 2, 3, 5, & 7 channels. See pages 12-13 for the DMX channels and traits.

1. This function will allow you to control each individual fixture's traits with a standard DMX 512 controller.
2. Press the either the MENU button until "dX" is displayed. "X" represents the current DMX channel mode that is displayed. There are 5 DMX channel modes.
3. When you find your desired DMX channel mode press the ENTER button. "A.XXX" will be displayed. "XXX" represents the current displayed DMX address. Use the UP or DOWN buttons to find your desired DMX address.
4. Please see pages 12-13 for DMX channel modes, values and traits.
5. After you have set your DMX address plug in the fixture via the XLR connections to any standard DMX controller.

Always be sure to maintain an adequate supply of American DJ Brand Fog Juice in the fluid reservoir. Running the fog machine dry will cause pump failure and or clogging. This is the largest cause of failure in fog and haze machines. Only American DJ Fog Juice is recommended and not all fog juice is created equal.

Wireless Remote Operation: Start by connecting the remote receiver to the fog machine. Set the machine to your desired wireless remote channel setting. See page 9. Once the machine is plugged in and turned on, a red power LED on the receiver will glow indicating the unit is receiving power. The unit has a warm up time of about nine (9) minutes. After the unit has warmed up, a GREEN LED on the receiver will light indicating the unit is ready to emit fog. To emit fog, simply press the corresponding number button on the remote for desired length of time. If the GREEN LED is on and fog does not come out after holding the button down for 30 seconds, check the fluid tank and make sure you have enough fog juice.

Caution: Before removing or replacing the remote control unit disconnect the power supply.

Fog Fury Jett		1 Channel Mode
Channel	Value	Function
1	0 - 31	FOG & RANDOM COLOR CHANGE
	32 - 255	OFF MAX FOG & COLOR CHANGE

Fog Fury Jett		2 Channel Mode
Channel	Value	Function
1	0 - 31	FOG
	32 - 255	OFF MAX FOG
2	0 - 255	COLOR MACROS Please see page 15 for Color Macros

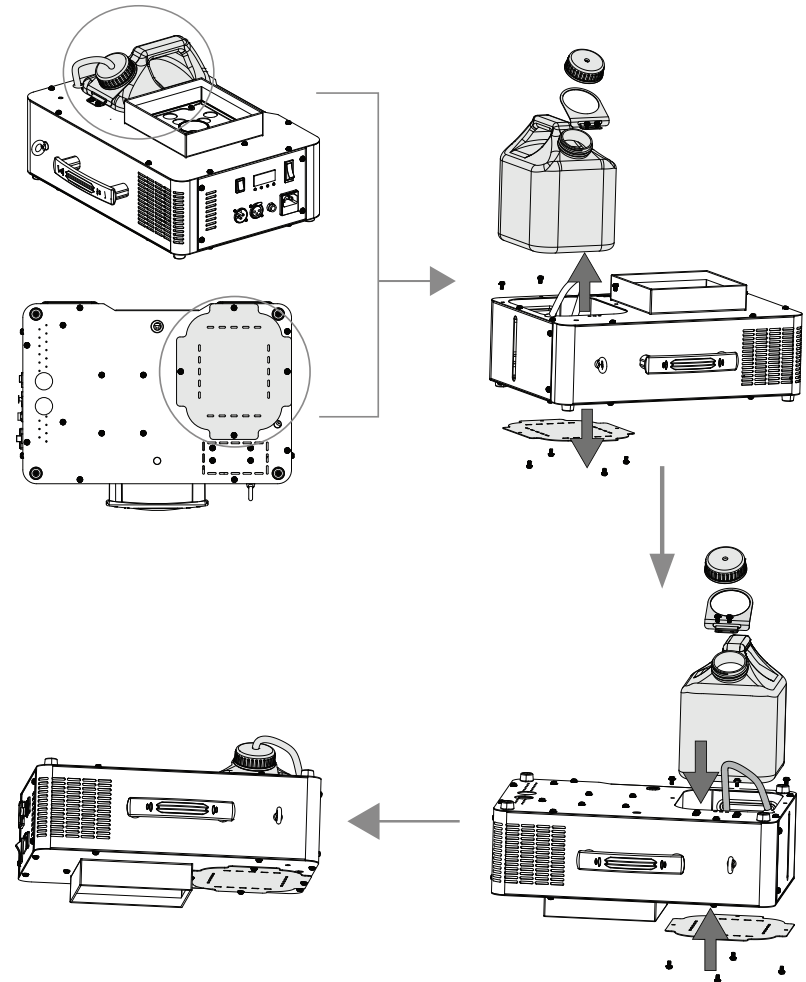
Fog Fury Jett		3 Channel Mode
Channel	Value	Function
1	0 - 31	FOG
	32 - 255	OFF MAX FOG
2	0 - 255	COLOR MACROS Please see page 15 for Color Macros
3	0 - 31	STROBING
	32 - 95	OFF
	96 - 159	STROBING SLOW - FAST
	160 - 255	PULSE EFFECT RANDOM STROBE SLOW - FAST

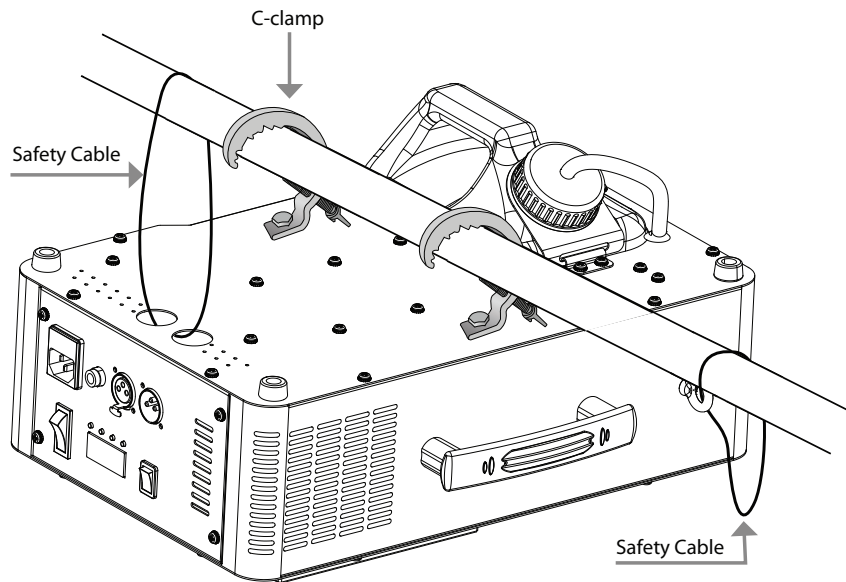
Fog Fury Jett		5 Channel Mode
Channel	Value	Function
1	0 - 31	FOG
	32 - 255	OFF MAX FOG
2	0 - 255	RED 0% - 100%
3	0 - 255	GREEN 0% - 100%
4	0 - 255	BLUE 0% - 100%
5	0 - 255	AMBER 0% - 100%

Fog Fury Jett		7 Channel Mode
Channel	Value	Function
1	0 - 31	FOG
	32 - 255	OFF MAX FOG
2	0 - 255	RED 0% - 100%
3	0 - 255	GREEN 0% - 100%
4	0 - 255	BLUE 0% - 100%
5	0 - 255	AMBER 0% - 100%
6	0 - 31	STROBING
	32 - 95	OFF
	96 - 159	STROBING SLOW - FAST
	160 - 255	PULSE EFFECT RANDOM STROBE SLOW - FAST
7	0 - 255	MASTER DIMMER 0% - 100%

Color No.	DMX VAU/LE	RGBA COLOR INTENSITY				Color No.	DMX VAU/LE	RGBA COLOR INTENSITY			
		RED	GREEN	BLUE	AMBER			RED	GREEN	BLUE	AMBER
Color1(off)	0	0	0	0	0	Color34	129-132	255	206	143	0
Color2	1-4	80	255	234	80	Color35	133-136	254	177	153	0
Color3	5-8	80	255	164	80	Color36	137-140	254	192	138	0
Color4	9-12	77	255	112	77	Color37	141-144	254	165	98	0
Color5	13-16	117	255	83	83	Color38	145-148	254	121	0	0
Color6	17-20	160	255	77	77	Color39	149-152	176	17	0	0
Color7	21-24	223	255	83	83	Color40	153-156	96	0	11	0
Color8	25-28	255	243	77	77	Color41	157-160	234	139	171	0
Color9	29-32	255	200	74	74	Color42	161-164	224	5	97	0
Color10	33-36	255	166	77	77	Color43	165-168	175	77	173	0
Color11	37-40	255	125	74	74	Color44	169-172	119	130	199	0
Color12	41-44	255	97	77	74	Color45	173-176	147	164	212	0
Color13	45-48	255	71	77	77	Color46	177-180	88	2	163	0
Color14	49-52	255	83	134	83	Color47	181-184	0	38	86	0
Color15	53-56	255	93	182	93	Color48	185-188	0	142	208	0
Color16	57-60	255	96	236	96	Color49	189-192	52	148	209	0
Color17	61-64	238	93	255	93	Color50	193-196	1	134	201	0
Color18	65-68	196	87	255	87	Color51	197-200	0	145	212	0
Color19	69-72	150	90	255	90	Color52	201-204	0	121	192	0
Color20	73-76	100	77	255	77	Color53	205-208	0	129	184	0
Color21	77-80	77	100	255	77	Color54	209-212	0	83	115	0
Color22	81-84	67	148	255	67	Color55	213-216	8	107	222	0
Color23	85-88	77	195	255	77	Color56	217-220	107	156	231	0
Color24	89-92	77	234	255	77	Color57	221-224	165	198	247	0
Color25	93-96	158	255	144	144	Color58	225-228	209	219	182	0
Color26	97-100	255	251	153	153	Color59	229-232	42	165	85	0
Color27	101-104	255	175	147	147	Color60	233-236	0	46	35	0
Color28	105-108	255	138	186	138	Color61	237-240	255	0	0	0
Color29	109-112	255	147	251	147	Color62	241-244	0	255	0	0
Color30	113-116	151	138	255	138	Color63	245-248	0	0	255	0
Color31	117-120	151	138	255	138	Color64	249-252	0	0	0	255
Color32	121-124	138	169	255	138	Color65	253-255	255	255	255	255
Color33	125-128	17	0	145	42						

The Fog Fury Jett can be used in two ways; right side up on the floor or upside down hung from trussing. When hanging the machine upside down, the tank must be removed and switched to the bottom of the unit so that the tank will remain right-side up. Follow the diagrams below to remove the tank and change it so that it remains right-side up. See the next page for the mounting diagram. **CAUTION: Please remove the fog juice from the tank before doing this.**





Screw one clamp via a M12 screw to the bottom of the unit. The clamp holes are located on each side of the unit. Attach the eyehole screw to the side of the base and pull the safety-cable through the screw and over the trussing system or a safe fixation spot. Insert the end in the carabine and tighten the safety screw. Use another safety cable and place the cable through the safety cable hole located rear bottom of the unit. Insert the end in the carabine and tighten the safety screw. Please see the diagram above.

Fuse Replacement: Locate and remove the unit's power cord. Once the cord has been removed locate the fuse holder located inside the power socket. Insert a flat-head screw driver into the power socket and gently pry out the fuse holder. Remove the bad fuse and replace with a new one. The fuse holder has a built-in socket for a spare fuse be sure not to confuse the spare fuse with active fuse.

The Fog Fury Jett fog machine carries a one year (365 days) limited warranty. The LED system carries a two year (730 days) limited warranty. Please fill out the enclosed warranty card to validate your purchase. All returned service items whether under warranty or not, must be freight pre-paid and accompany a return authorization (R.A.) number. The R.A. number must be clearly written on the outside of the return package. A brief description of the problem as well as the R.A. number must also be written down on a piece of paper and included in the shipping container. If the unit is under warranty, you must provide a copy of your proof of purchase invoice. You may obtain a R.A. number by contacting customer support at (800) 322-6337.

If you experience low fog output, pump noise, or no fog output at all, disconnect and discontinue use immediately. Do not attempt to continue pushing the remote control's activation button as this may damage the fog machine. Check the fluid level, the external fuse, remote connection, and be sure the wall outlet is sending power. If all of the above appears to be okay, and the unit fails to operate correctly, the unit will require service. Please contact ADJ Products, LLC.

When storing your fog machine be sure to store it in a cool area. Cover the machine so that dust does not build up on the unit. When storing the machine for long periods of time, it is highly advised to at least run the machine every 3-4 months. Long periods of inactivity can severely shorten the life of your machine. Only run water based fog juice through your machine. Never run plain water, vinegar, or any other liquid solution through your machine. Running anything other than water based fog juice will severely damage your machine.

Fog Fury Jett

Warranty

MANUFACTURER'S LIMITED WARRANTY

- A. ADJ Products, LLC hereby warrants, to the original purchaser, ADJ Products, LLC products to be free of manufacturing defects in material and workmanship for a prescribed period from the date of purchase (see specific warranty period on reverse). This warranty shall be valid only if the product is purchased within the United States of America, including possessions and territories. It is the owner's responsibility to establish the date and place of purchase by acceptable evidence, at the time service is sought.
- B. **For warranty service you must obtain a Return Authorization number (RA#) before sending back the product—please contact ADJ Products, LLC Service Department at 800-322-6337.** Send the product only to the ADJ Products, LLC factory. All shipping charges must be pre-paid. If the requested repairs or service (including parts replacement) are within the terms of this warranty, ADJ Products, LLC will pay return shipping charges only to a designated point within the United States. If the entire instrument is sent, it must be shipped in its original package. No accessories should be shipped with the product. If any accessories are shipped with the product, ADJ Products, LLC shall have no liability whatsoever for loss of or damage to any such accessories, nor for the safe return thereof.
- C. This warranty is void if the serial number has been altered or removed; if the product is modified in any manner which ADJ Products, LLC concludes, after inspection, affects the reliability of the product; if the product has been repaired or serviced by anyone other than the ADJ Products, LLC factory unless prior written authorization was issued to purchaser by ADJ Products, LLC; if the product is damaged because not properly maintained as set forth in the instruction manual.
- D. This is not a service contract, and this warranty does not include maintenance, cleaning or periodic check up. During the period specified above, ADJ Products, LLC will replace defective parts at its expense with new or refurbished parts, and will absorb all expenses for warranty service and repair labor by reason of defects in material or workmanship. The sole responsibility of ADJ Products, LLC under this warranty shall be limited to the repair of the product, or replacement thereof, including parts, at the sole discretion of ADJ Products, LLC. All products covered by this warranty were manufactured after August 15, 2012, and bear identifying marks to that effect.
- E. ADJ Products, LLC reserves the right to make changes in design and/or improvements upon its products without any obligation to include these changes in any products theretofore manufactured.

No warranty, whether expressed or implied, is given or made with respect to any accessory supplied with products described above. Except to the extent prohibited by applicable law, all implied warranties made by ADJ Products, LLC in connection with this product, including warranties of merchantability or fitness, are limited in duration to the warranty period set forth above. And no warranties, whether expressed or implied, including warranties of merchantability or fitness, shall apply to this product after said period has expired. The consumer's and/or Dealer's sole remedy shall be such repair or replacement as is expressly provided above; and under no circumstances shall ADJ Products, LLC be liable for any loss or damage, direct or consequential, arising out of the use of, or inability to use, this product.

This warranty is the only written warranty applicable to ADJ Products, LLC Products and supersedes all prior warranties and written descriptions of warranty terms and conditions heretofore published.

MANUFACTURER'S LIMITED WARRANTY PERIODS:

- **Lighting Products = 1-year (365 days) Limited Warranty** (Such as: Special Effect Lighting, Intelligent Lighting, UV lighting, Strobes, Fog Machines, Bubble Machines, Mirror Balls, Par Cans, Trussing, Lighting Stands etc. excluding LED, Laser Products and lamps)
- **Laser Products = 90-Day Limited Warranty**
- **L.E.D. Products = 2-year (730 days) Limited Warranty** (excluding motors, PCB boards, and power supplies, which have a 1-year (365 day Limited Warranty) and batteries which have a 180 day limited warranty).

ADJ Products, LLC - www.adj.com - Fog Fury Jett Instruction Manual Page 18

Fog Fury Jett

Specifications

MODEL - Fog Fury Jett

VOLTAGE*:	120v or 230V, 50/60Hz
LED:	12 x 3-Watt LEDs (3 Red, 3 Green, 3 Blue, 3 Amber)
HEATER:	700W
POWER CONSUMPTION:	730W
WEIGHT:	16 Lbs. / 7.1 Kgs
DIMENSIONS:	15.5" x 12" x 7.5" 397 x 302 x 191mm
BREAKER:	10A (120V) / 5A (230V)
WARM UP TIME:	9 Minutes
TANK CAPACITY:	3 Liter
OUTPUT:	20,000 cubic feet per minute
FLUID TYPE:	Water Base American DJ Fog Juice
DMX CHANNELS:	5 DMX Channel Modes: 1/2/3/5/7
DUTY CYCLE:	Not to exceed 6 hours turned on.
WARRANTY:	1 Year (365 Days) For the Fog Machine 2 Year (730 Days) For the LED

**Voltage is preset at the factory and may not be changed*

ADJ Products, LLC

6122 S. Eastern Ave. Los Angeles, CA 90040 USA

Tel: 323-582-2650 / Fax: 323-725-6100

Web: www.adj.com / E-mail: info@americandj.com

A.D.J. Supply Europe B.V.

Junostraat 2

6468 EW Kerkrade

Netherlands

service@adjgroup.eu / www.adj.eu

Tel: +31 45 546 85 00 / Fax: +31 45 546 85 99

Follow Us On:



facebook.com/americandj
twitter.com/americandj
youtube.com/adjlighting