

Numark

C3 USB PROFESSIONAL 19" MIXER WITH USB

- ✔ **QUICKSTART GUIDE**
ENGLISH (3 – 9)
- ✔ **MANUAL DE INICIO RÁPIDO**
ESPAÑOL (11 – 17)
- ✔ **GUIDE D'UTILISATION RAPIDE**
FRANÇAIS (19 – 25)
- ✔ **MANUALE RAPIDO DI UTILIZZAZIONE**
ITALIANO (27 – 33)
- ✔ **KURZANLEITUNG**
DEUTSCH (35 – 41)

INTRODUCTION

Welcome to the C3USB professional 19" mixer with USB. Whether you are mixing traditional audio sources, such as turntables and CD players, or incorporating digital sources, such as laptops, the C3USB offers a variety of analog and digital input options designed to meet the needs of the modern DJ. In addition to its impressive input options, the C3USB features balanced Master XLR outputs and Master / Zone / Record RCA outputs for connecting the mixer to a wide array of speaker systems and audio recorders. The industrial-grade 19" 4RU rack-mountable design ensures that the C3USB can be easily incorporated into any existing mobile or club DJ setup.

We hope that the C3USB serves you well for many years to come.

Sincerely,

The People of Numark

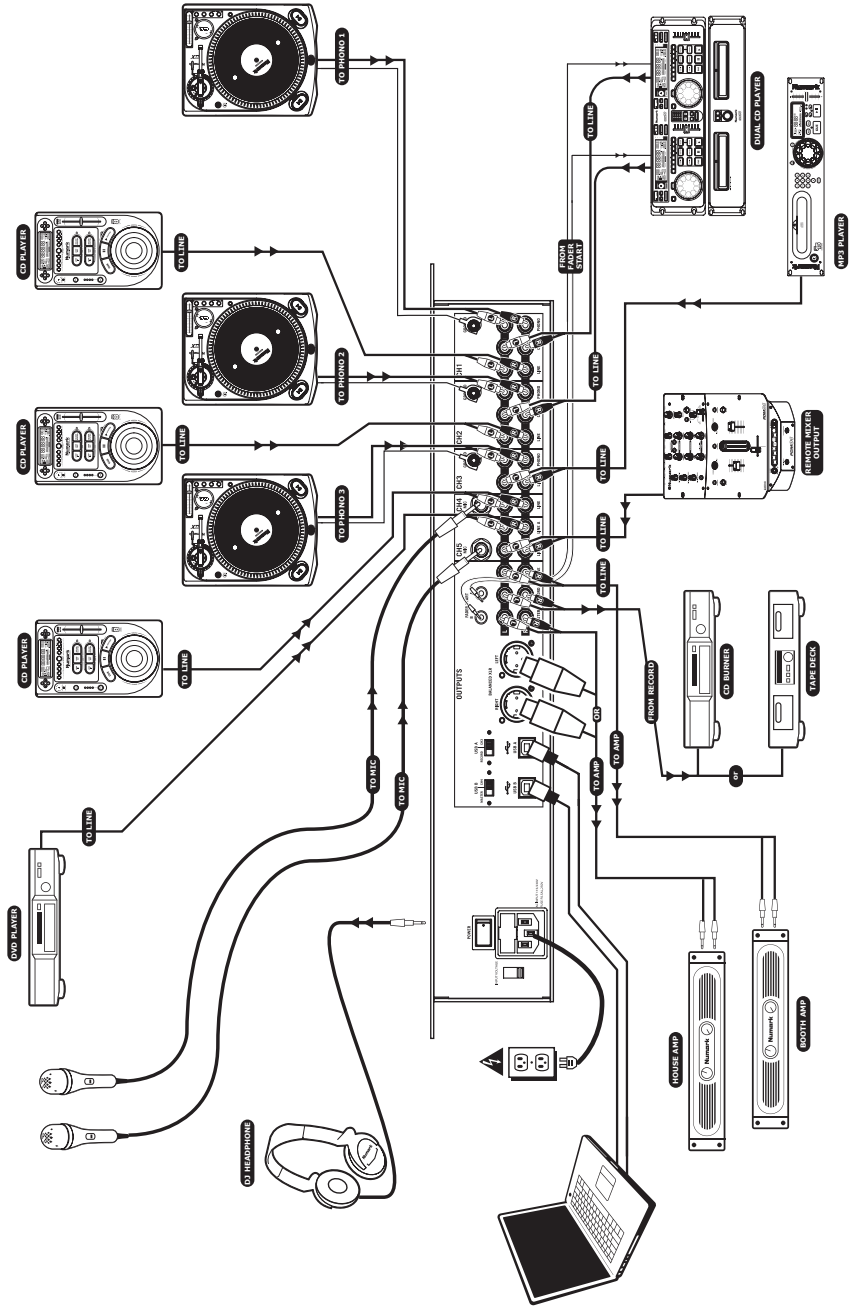
REGISTRATION

Please go to <http://www.numark.com> to register your C3USB. Registering your product ensures that we can keep you up-to-date with any last-minute product developments and provide you with world-class technical support, should you run into any problems.

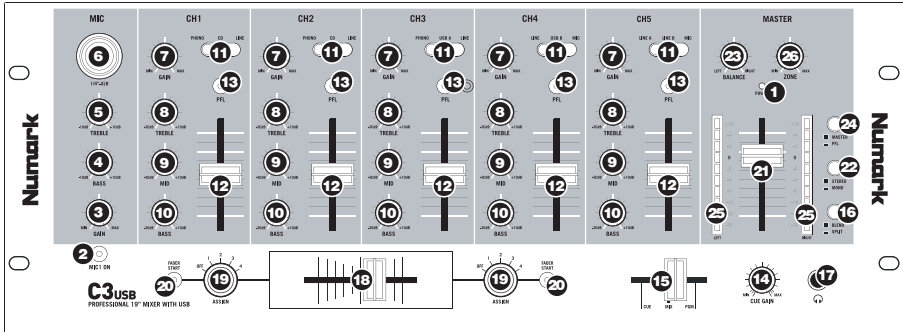
GROUND RULES

1. Make sure all items listed on the front of this guide are included in the box.
2. **READ SAFETY INSTRUCTION BOOKLET BEFORE USING THE PRODUCT.**
3. Study the connection diagram in this guide.
4. Place mixer in an appropriate position for operation.
5. Make sure all devices are turned off and all faders and gain knobs are set to "zero"
6. Connect all stereo input sources as indicated in the diagram.
7. Connect the stereo outputs to power amplifier(s), tape decks, and/or other audio sources.
8. Plug all devices into AC power.
9. Switch everything on in the following order.
 - audio input sources (i.e. turntables, CD players, etc.)
 - mixer
 - last, any amplifiers or output devices
10. When turning off, always reverse this operation by,
 - turning off amplifiers
 - mixer
 - last, any input devices

CONNECTION DIAGRAM



FRONT PANEL OVERVIEW



1. **POWER LED** – Illuminates when the mixer is on.
2. **MIC ON/OFF** – Mutes and unmutes the microphone signal. When muted (LED is off), the microphone signal will not be routed to the master mix.
3. **MIC GAIN** – Adjusts the volume of the microphone input.
4. **MIC BASS** – Adjusts the low (bass) frequencies of the microphone channel.
5. **MIC TREBLE** – Adjusts the high (treble) frequencies of the microphone channel.
6. **COMBO MICROPHONE INPUT** – This “combo” jack accepts XLR or 1/4” microphones.
7. **CHANNEL GAIN** – Adjusts the corresponding channel’s pre-fader audio gain.
8. **CHANNEL TREBLE** – Adjusts the high (treble) frequencies of the corresponding channel.
9. **CHANNEL MID** – Adjusts the mid-range frequencies of the corresponding channel.
10. **CHANNEL BASS** – Adjusts the low (bass) frequencies of the corresponding channel.
11. **INPUT SELECTOR** – Selects which input source will be routed to the corresponding channel.
 - Select “Phono” if you would like to route audio from a connected phono-level turntable.
 - Select “CD” or “Line” if you are using line-level devices, such as CD players, samplers, etc.
 - Select “USB” if you would like to route audio from a computer connected to the rear of the mixer via USB.
 - Select “Mic” if you would like to route audio from a microphone connected to the rear panel.
12. **CHANNEL FADER** – Adjusts the audio level sent to the Program mix.
13. **CUE BUTTON** – Routes the corresponding channel (post-gain, post-EQ, and pre-channel fader) to the Cue channel for previewing.
14. **HEADPHONE VOLUME** – Adjusts the volume level of the headphone output.
15. **HEADPHONE MIX** – Crossfades between Cue and Program in the Headphone channel. When all the way to the left, only channels routed to PFL will be heard. When all the way right, only the Program mix will be heard. Please note that this control only has an effect while the SPLIT / BLEND button is in the “Blend” position.
16. **SPLIT / BLEND BUTTON** – When this switch is in the down position, the headphone audio will be “split” such that all channels sent to CUE are mixed to mono and applied to the left headphone channel and the Program mix is mixed to mono and applied to the right channel. When the switch is in the up position, Cue and Program audio will be “blended” together.
17. **HEADPHONE JACK** – Connect your 1/4” headphones to this output for previewing and cueing.

Important: The volume should always be set at its lowest setting while connecting and disconnecting headphones to prevent damage to headphones and your hearing.
18. **REPLACEABLE CROSSFADER** – Blends audio between the channels assigned to the left and right side of the crossfader (see ASSIGN KNOB below).

Note: The crossfader is user-replaceable if it should ever wear out. Simply remove the facepanel and then remove the screws holding it in position. Replace the fader with a quality authorized replacement from your local Numark retailer only.
19. **ASSIGN KNOB** – Determines which channel will be routed to either side of the crossfader.

Note: Volume levels of channels not selected will be determined only by the individual channel sliders.

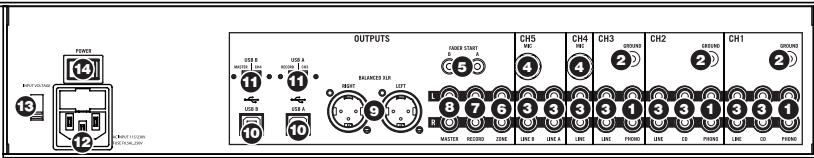
20. **FADER START** – When activated, the crossfader will send play and cue digital pulse commands to compatible fader-start devices connected to the rear panel. To take advantage of fader start, connect your mixer to a fader-start compatible device, using standard 1/8" stereo cables. When you move the crossfader toward the active channel, the attached device will start. When it is moved away, the device will cue (similar to pressing the cue button) or stop, depending on the device being used.
21. **MASTER FADER** – This control adjusts the output volume of the Program mix.
22. **STEREO / MONO** – Allows you to output the Program mix as a mono or stereo signal, depending on your application. Some amplifier or speaker systems may require a mono input.
23. **PANNING:** Adjusts the Program mix in the left-right panorama. As the knob is moved to the right, the left side of the signal is attenuated and vice versa.

Note: This setting affects Master, Record, and Zone outputs.

24. **METER ASSIGN** – Determines whether PFL or MASTER audio level is sent to the stereo LED meter.
25. **STEREO LEVEL INDICATOR** – Quickly and accurately tracks audio levels. The functionality of the level indicators is determined by the METER ASSIGN button.
 - **When using as a MASTER output meter,** set the crossover, equalizer and power amp inputs to avoid distortion at each step in the audio chain. Proper attention to the peak meter results in the punchiest possible sound without audible distortion.
 - **When used to adjust PFL levels,** PFL cue signal is sent to the meter through the CUE ASSIGN buttons. Accurately match channel levels with the Pre-fader gain and EQ controls before mixing them together.
26. **ZONE** – Controls the audio level of the Record / Zone outputs.

Tip: The Record / Zone outputs can be used to supply line-level audio to a lighting controller or sound-activated lighting system.

REAR PANEL OVERVIEW



1. **PHONO INPUTS** – Connect phono-level turntables to these inputs. Since these inputs provide additional amplification, connect *only* phono-level turntables; connecting line-level devices to these inputs could result in damage to your equipment (and your ears).
2. **GND** – If using phono-level turntables with a grounding wire, be sure to connect the grounding wire to these terminals. If you experience a low "hum" or "buzz", this could mean that your turntables are not grounded.

Note: Some turntables have the grounding wire built into the RCA connection and, therefore, nothing needs to be connected to the grounding terminal.
3. **LINE INPUTS** – Connect line-level devices, such as CD players, Tape Decks or Samplers, to these inputs.
4. **MICROPHONE INPUTS** – Connect 1/4" microphones to these inputs.
5. **FADER START CONNECTOR** – If you would like to use fader-start to automatically start and cue music from external devices via the C3USB crossfader, connect these outputs to your fader-start compatible device. You can use a standard 1/8" stereo cable to make this connection.
6. **RECORD OUTPUT (RCA)** – Connect this output to a CD burner or audio recorder. Alternatively, you may connect this output to an additional speaker system for mix monitoring. The level of this output is controlled with the ZONE knob on the top panel.
7. **ZONE OUTPUT (RCA)** – Connect this output to external monitoring device such as a PA system, powered monitors or a home stereo. Alternatively, you can connect this output to a CD burner or audio recorder. The level of this output is controlled with the ZONE knob on the top panel.
8. **MASTER OUTPUT (RCA)** – Connect this output to a PA system, powered monitors or a home stereo. The level of this output is controlled with the MASTER fader on the top panel.
9. **MASTER OUTPUT (XLR)** – Connect this low-impedance XLR output to a PA system or powered monitors. The level of this output is controlled with the MASTER fader on the top panel.
10. **USB** – These USB connections send and receive audio from a connected computer. The functionality of each port (send or receive) depends on the position of the corresponding USB SELECT switch.

11. **USB SELECT** – These switches determine the functionality of the USB ports.

USB A:

RECORD – Outputs the Record mix to your computer for recording purposes.

CH3 – Sends incoming audio from your computer to mixer’s Channel 3 (you will need to set the channel’s input selector switch to USB A).

USB B:

MASTER – Outputs the Master (Program) mix to your computer for recording purposes.

CH4 – Sends incoming audio from your computer to mixer’s Channel 4 (you will need to set the channel’s input selector switch to USB B).

12. **AC IN** – While the power is off, use the included power supply cable to connect the mixer to a power outlet.

13. **VOLTAGE SELECTOR** – This 2-position switch sets the AC input voltage for the speaker. U.S. users should set this switch to “100-120V” whereas U.K. and most European users will need to set this to “220-240V”.

14. **POWER SWITCH** – This switch turns the mixer on and off. When powering on, ensure that all input devices are connected to prevent damage to your equipment. Power the mixer on before powering on amplifiers and speakers and power off amplifiers before you power off the mixer.

USB OPERATION

The CM3USB is equipped with two USB ports which allow you to play content from your computer through the mixer, or record audio from the mixer directly into your favorite software application. The USB interface on your mixer works with your computer just like a standard USB sound card. In addition, the USB interface is class-compliant, so there are no special drivers or software to install; simply connect a USB cable from either or both USB ports to your computer and you are ready to go!

WINDOWS CONFIGURATION

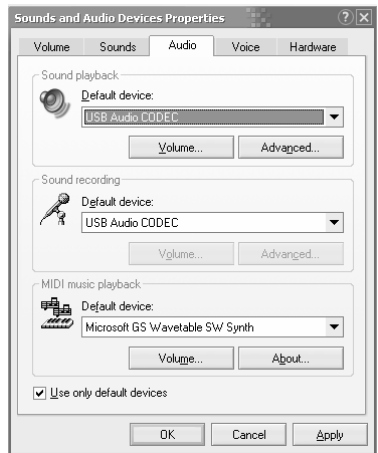
1. Turn on your computer and the C3USB.
2. Use a USB cable to connect one (or both) ports of the C3USB to your computer.
3. Windows will immediately recognize the mixer as a “USB Audio Device” or “USB Audio CODEC” and will automatically install any required system components.

To change system audio preferences in Windows, you will need to access the **Sounds and Audio Devices** properties, located in the **Control Panel**. To access audio device settings, click on the **Audio** tab.

The first time you connect the C3USB to your computer, the mixer will be automatically assigned as the Default (or “Preferred”) Device for sound playback on your computer. All of your computer’s sounds will be sent to the mixer channel indicated above the USB connection.

Note: If you have connected both USB ports to your computer, the ports will be numbered in the order they were connected. For example, if you connected USB A before USB B, USB A will appear as “USB Audio CODEC” and USB B will appear as “USB Audio CODEC (2)”.

- To send audio from your computer into the C3USB, select “USB Audio CODEC” in the **Sound Playback** field. This allows you to play audio from your computer into one of either of the mixer channels, depending on which USB port is used to make the connection.
- To send audio from the C3USB to your computer, select “USB Audio CODEC” in the **Sound Recording** field. This allows you to record your mix into your computer.



Note: If your sound playback or recording application does not have its own audio input and output settings (for example, Windows Sound Recorder, Windows Media Player or Apple iTunes), it will use the devices set in Sounds and Audio Devices. Please note that these settings are loaded upon application startup, so if you change device settings while the application is open, you will need to restart your application for the settings to take effect.

Tip: To prevent Windows from playing system sounds (beeps and bleeps) through the C3USB, we highly recommend disabling these by clicking on the **Sounds** tab and selecting **No Sounds** from the pull-down menu.

MAC CONFIGURATION

1. Turn on your computer and the C3USB.
2. Use a USB cable to connect one (or both) ports of the C3USB to your computer.
3. Windows will immediately recognize the mixer as a "USB Audio Device" or "USB Audio CODEC".

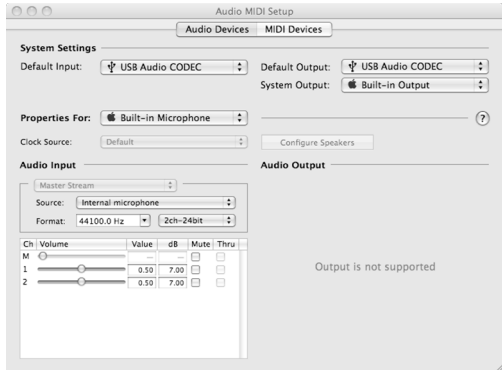
To change system audio preferences on a Mac, you will need to access the **Audio MIDI Setup** preferences located in **Applications ► Utilities**.

Note: If you have connected both USB ports to your computer, the ports will be numbered in the order they were connected. For example, if you connected USB A before USB B, USB A will appear as "USB Audio CODEC" and USB B will appear as "USB Audio CODEC (2)".

- To send audio from your computer into the C3USB, select "USB Audio CODEC" in the **Default Output** field. This allows you to play audio from your computer into one of either of the mixer channels, depending on which USB port is used to make the connection.
- To send audio from the C3USB to your computer, select "USB Audio CODEC" in the **Default Input** field. This allows you to record your mix into your computer.

Tip: We recommend leaving the **System Output** field set to **Built-in Output**. This ensures that system sounds (beeps and bleeps) will not sound through the mixer.

Note: If your sound playback or recording application does not have its own audio input and output settings (for example, Apple iTunes), it will use the devices set in Audio MIDI Setup. Please note that these settings are loaded upon application startup, so if you change device settings while the application is open, you will need to restart your application for the settings to take effect.



USING BOTH USB PORTS SIMULTANEOUSLY

Since the C3USB has 2 USB ports, you can attach a different computer to each USB jack or you can connect both jacks to a single computer. Each USB jack on the mixer will appear as a separate USB audio device to your computer. You can play two audio files simultaneously from one computer and send both of those audio streams to separate channels of your mixer by using two USB cables.

If you do this, we suggest using one of the many commercially available software programs that support multiple sound cards.

However, if you don't have software like that, you can use two separate software media players instead. To do this you need to start the first media player, then change the Preferred Audio Device to the second USB port, then start your second media player.

Note: Some applications (like Windows Media Player) will not allow you to have multiple instances running simultaneously. When you try to open a second file, the first one will stop playing and the second file will be loaded. To get around this, you can use different players to play the second file. For example, use Windows Media Player to play channel 1, and Musicmatch Juke Box player for channel 2.

Note: Please keep in mind that not all media players will "remember" what sound card they were using at the time of launch.

TROUBLESHOOTING

Problem: The computer did not recognize my mixer.

- The mixer is not turned on. Turn on your mixer.
- The USB cable is not connected. Connect the USB cable to your computer and mixer.
- You have already installed a USB Audio Device before. In that case, your mixer should work without any installation process. Just plug it in. You may have to change your computer's Default Sound Playback Device, however.
- You don't have the proper version of Windows or Mac OS. Make sure your OS is one that is compatible with this mixer. (For example, Windows 95 does not support USB, and will not work with this mixer).

Problem: The recording quality is poor.

- The word length and sample rate are not set to CD-quality in your recording software. Change the word length to 16-bit and sample rate to 44.1kHz for CD-quality results.
- The audio is distorting. Turn down the gain on your mixer to reduce the audio level.
- The audio level is too low. Increase the level until you see activity in the meter LEDs.

Problem: I'm trying to play one song into channel 2 and the other into channel 3, but they both get mixed together into only one channel.

- The Sound Playback Device was not set properly for one of your audio applications. Close one of the playback applications, then change your Preferred Sound Playback Device as described above, then re-open the application. Note that this technique will not work with all media players (for example, Real Player).
- Use a dedicated audio program that supports 2 sound cards.

Problem: The sound is coming out of my computer speakers instead of going to my mixer.

- The Sound Playback Device was not properly set. Close your audio playback application, then change your Preferred Sound Playback Device as described above, then re-open the application.

Problem: My computer's system sounds (beeps and bells) are going into my mixer.

- The Sound Playback Device is still set to your mixer. Change the Preferred Sound Playback Device as described above.
- Silence your computer's system sounds altogether by doing the following: Select Sounds and Audio Devices in the Control Panel and switch to the Sounds tab. Under Sound Scheme, Choose the No Sounds option and click OK.
- If you have a Mac, you didn't select "Play alerts and sound effects through Internal Speakers". See the Mac setup section for how to do this.

SPECIFICATIONS

Inputs	Line:	10Kohm input impedance 77mV rms sensitivity for 1.22V output
	Mic:	600 ohm input impedance unbalanced 1mv rms sensitivity for 1.22V output 70mV rms max input
	Phono:	47Kohm input impedance 1.2mV rms sensitivity @ 1KHz for 1.22V output

Output	Line:	9V rms max
	Headphone:	0.5W into 47 ohm
	Distortion:	less than 0.01%

Signal to Noise Ratio (maximum output) JIS-A weighted	Line:	Better than 98dB
	Mic:	Better than 86dB
	Phono:	Better than 81dB

Frequency response	Line:	20Hz-20KHz ±0.5dB
	Mic:	20Hz-15KHz ±0.5dB
	Phono:	±1dB except for controlled attenuation of -3dB @ 20Hz to reduce rumble and feedback

Channel equalizer	Bass:	+12/-32dB @ 60Hz
	Middle:	+12/-32dB @ 1.2KHz
	Treble:	+10/-28dB @ 15KH

DJ mic equalizer	Bass:	±10dB @ 100Hz
	Treble:	±10dB @ 15KH

Power consumption	11 Watt typical
	14.7 Watt with full headphone output

INTRODUCCIÓN

Bienvenido al mezclador profesional C3USB de 19" con USB. Ya sea que usted mezcle fuentes de audio tradicionales, tales como giradiscos y reproductores de CD, o incorpore fuentes digitales, como laptops, el C3USB ofrece una variedad de opciones de entradas analógicas y digitales diseñadas para cumplir las necesidades del DJ moderno. Además de sus impresionantes opciones de entradas, el C3USB ofrece salidas XLR maestras balanceadas y salidas RCA maestras / de zona / para grabación que permiten conectar el mezclador a una amplia gama de sistemas de altavoces y grabadores de audio. El diseño de montaje en rack 4RU de 19 pulgadas de categoría industrial asegura que el C3USB se pueda incorporar fácilmente a cualquier configuración para DJ móvil de club existente.

Esperamos que el C3USB le brinde un buen servicio por muchos años.

Atentamente,

La Gente de Numark

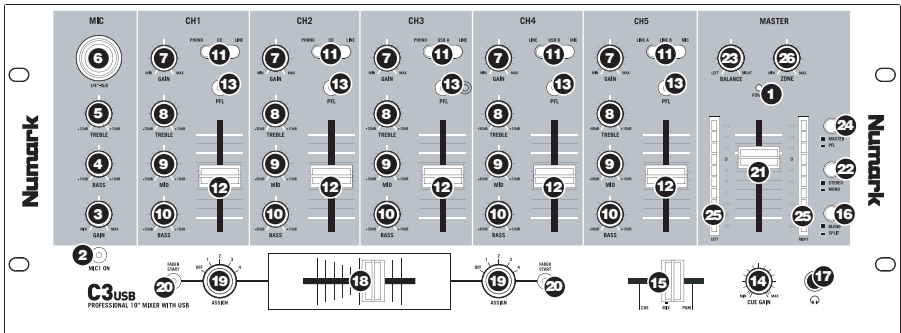
REGISTRO

Visite <http://www.numark.com> y registre su C3USB. El registro de su producto asegura que podamos mantenerle actualizado con los desarrollos de productos de último momento y brindarle apoyo técnico de categoría mundial en caso de que tenga algún problema.

REGLAS BÁSICAS

1. Asegúrese que todos los artículos incluidos al inicio de este manual estén incluidos en la caja.
2. **LEA LAS INSTRUCCIONES DEL FOLLETO DE SEGURIDAD ANTES DE UTILIZAR EL PRODUCTO.**
3. Estudie el diagrama de conexión incluido en esta guía.
4. Coloque el mezclador en una posición adecuada para su funcionamiento.
5. Asegúrese que todos los dispositivos estén apagados y que todos los faders y perillas de ganancia estén en posición «cero».
6. Conecte todas las fuentes de entrada estéreo como se indica en el diagrama.
7. Conecte las salidas estéreo a los amplificadores de potencia, bandejas de cinta magnética y/o otras fuentes de audio.
8. Enchufe todos los dispositivos al suministro de corriente alterna.
9. Encienda todo en el siguiente orden:
 - fuentes de entrada de audio (por ejemplo, giradiscos, reproductores de CD, etc.)
 - el mezclador
 - por último, cualquier amplificador o dispositivo de salida
10. Al apagar, realice siempre esta operación en sentido inverso:
 - apague los amplificadores
 - el mezclador
 - por último, cualquier dispositivo de entrada

VISTA DEL PANEL FRONTAL



- LED DE ENCENDIDO** - Se ilumina cuando el mezclador está encendido.
- MICRÓFONO SÍ/NO** - Silencia y anula el silenciamiento de la señal de micrófono. Cuando está silenciada (LED apagado), la señal de micrófono no se aplica a la mezcla maestra.
- GANANCIA DE MICRÓFONO** - Ajusta el nivel de la entrada de micrófono.
- GRAVES DE MICRÓFONO** - Ajusta las bajas frecuencias (graves) del canal de micrófono.
- AGUDOS DE MICRÓFONO** - Ajusta las altas frecuencias (agudos) del canal de micrófono.
- ENTRADA COMBINADA DE MICRÓFONO** - Este conector "combo" acepta micrófonos XLR o de 1/4".
- GANANCIA DE CANAL** - Ajusta el nivel de ganancia pre-fader del canal correspondiente.
- AGUDOS DE CANAL** - Ajusta las altas frecuencias (agudos) del canal correspondiente.
- FRECUENCIAS MEDIAS DE CANAL** - Ajusta las frecuencias medias del canal correspondiente.
- GRAVES DE CANAL** - Ajusta las bajas frecuencias (graves) de la señal del canal correspondiente.
- SELECTOR DE ENTRADAS** - Este conmutador permite seleccionar la fuente de entrada que se aplica al canal correspondiente.
 - Seleccione "Phono" si desea aplicar el audio de un giradiscos de nivel fonográfico conectado.
 - Seleccione "CD" o "Line" si va a usar dispositivos de nivel de línea, tales como reproductores de CD, muestreadores, etc.
 - Seleccione "USB" si desea aplicar el audio de una computadora conectada a la parte trasera del mezclador por USB.
 - Seleccione "Mic" si desea aplicar audio de un micrófono conectado al panel trasero.
- FADER DE CANAL** - Ajusta el nivel de audio enviado a la mezcla del programa.
- BOTÓN DE CUE** - Al apretar este botón, se envía audio del canal correspondiente (post-ganancia, post-equalización y fader pre-canal) al canal de cue para escucha preliminar.
- VOLUMEN DE AURICULARES** - Ajusta el nivel de volumen de la salida para auriculares.
- MEZCLA PARA AURICULARES** - Combina cue y programa en el canal de auriculares. Cuando está en el extremo izquierdo, sólo se oyen los canales aplicados al PFL. Cuando se gira totalmente a la derecha, se oye sólo la mezcla del programa. Tenga en cuenta que este control tiene efecto sólo mientras el botón SPLIT / BLEND está en posición "Blend".
- BOTÓN DE DIVIDIR / COMBINAR** - Cuando este conmutador está en posición hacia abajo, se "divide" el audio de los auriculares de modo que todos los canales enviados a CUE se mezclan a mono y se aplican a la salida del auricular izquierdo y la salida de programa se mezcla a mono y se aplica al canal derecho. Cuando está en posición hacia arriba, el audio de cue y programa se "combinan".
- JACK PARA AURICULARES** - Conecte sus auriculares de 1/4" a esta salida para escucha preliminar y búsqueda de punto inicial (cue).

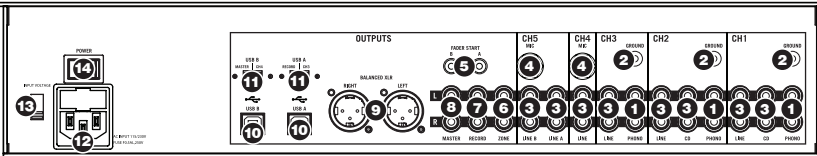
Importante: El volumen debe fijarse siempre a su ajuste más bajo cuando se conecten y se desconecten los auriculares, para evitar que se dañen los auriculares y/o sus oídos.
- CROSSFADER REEMPLAZABLE** - Combina el audio entre los canales asignados a los lados izquierdo y derecho del crossfader (consulte PERILLA DE ASIGNACIÓN más abajo).

Nota: El usuario puede reemplazar el crossfader en caso de que se desgaste. Simplemente, retire el panel frontal y luego retire los tornillos que lo mantienen sujeto. Cambie el fader por un repuesto de calidad autorizado por su vendedor de Numark más cercano.
- PERILLA DE ASIGNACIÓN** - Determina qué canal se aplica a cada lado del crossfader.

Nota: Los niveles de volumen de los canales no seleccionados se determinan solamente con los cursores de canal individuales.
- INICIO DE FADER** - Cuando se activa, el crossfader envía comandos de impulsos digitales de reproducción y búsqueda de punto inicial (cue) a los dispositivos compatibles con fader-start conectados al panel trasero. Para aprovechar el inicio de fader, conecte su mezclador a un dispositivo compatible con fader-start usando cables estéreo estándar de 1/8". Cuando mueva el crossfader hacia el canal activo, se activará el dispositivo conectado. Cuando lo mueva hacia el otro lado, el dispositivo buscará el punto inicial (semejante a presionar el botón cue) o se detendrá dependiendo del dispositivo usado.

21. **FADER MAESTRO** – Ajusta el volumen de salida de la mezcla de programa.
22. **ESTÉREO / MONO** – Permite emitir la mezcla de programa como señal mono o estéreo, según sea la aplicación. Algunos sistemas de amplificadores o altavoces pueden requerir una entrada mono.
23. **BALANCE**: Ajusta la mezcla de programa en el panorama izquierda-derecha. Cuando la perilla se mueve a la derecha, el lado izquierdo de la señal se atenúa y viceversa.
Nota: Este ajuste afecta a las salidas maestra, para grabación y de zona.
24. **ASIGNACIÓN DE MEDIDOR** - Determina si se envía el nivel de audio PFL o maestro al medidor de estéreo con LED.
25. **INDICADOR DE NIVEL ESTÉREO** – Sigue rápida y exactamente los niveles de audio. La funcionalidad de los indicadores de nivel la determina el botón METER ASSIGN.
 - **Cuando se usa como medidor de salida MAESTRA**, ajuste las entradas del crossover, equalizador y amplificador de potencia para evitar la distorsión en cada paso de la cadena de audio. Darle atención adecuada al medidor de picos permite obtener el sonido más fuerte posible sin distorsión audible.
 - **Cuando se usa para ajustar los niveles de PFL**, la señal de cue de PFL se envía al medidor usando los botones CUE ASSIGN. Empareje con exactitud los niveles de los canales con los controles de ganancia pre-fader y equalización antes de mezclarlos.
26. **ZONA** – Ajusta el nivel de audio de las salidas para grabación y zona.
Consejo: Las salidas para grabación / zona se pueden utilizar también para suministrar audio de nivel de línea a un controlador de iluminación o sistema de luces activadas por sonido.

VISTA DEL PANEL TRASERO



1. **ENTRADAS FONOGRAFICAS** – Estas entradas se usan para conectar giradiscos de nivel fonográfico. Puesto que estas entradas proporcionan amplificación adicional, conecte a ellas *sólo* giradiscos de nivel fonográfico. Si se conectan a estas entradas dispositivos de nivel de línea, pueden dañarse los equipos (y sus oídos).
2. **TIERRA** – Si usa giradiscos de nivel fonográfico con cable de conexión a tierra, asegúrese de conectar dicho cable a estos terminales. Si se experimenta un zumbido grave, puede significar que sus giradiscos no están conectados a tierra.
Nota: Algunos giradiscos tienen el cable de conexión a tierra incorporado a la conexión RCA y, por lo tanto, no es necesario conectar nada al terminal de tierra.
3. **ENTRADAS DE LÍNEA** – Estas entradas se usan para conectar dispositivos de nivel de línea, tales como reproductores de CD, bandejas de cinta o muestreadores.
4. **ENTRADAS DE MICRÓFONO** – Estas entradas son para conectar micrófonos de 1/4".
5. **CONECTOR DE FADER START** – Si desea usar fader-start para iniciar y buscar automáticamente el punto inicial de música de dispositivos externos a través del crossfader del C3USB, conecte estas salidas a su dispositivo compatible con fader-start. Puede usar un cable estéreo estándar 1/8" para efectuar esta conexión.
6. **SALIDA PARA GRABACIÓN (RCA)** – Esta salida se puede conectar a un quemador de CD o grabador de audio. Como alternativa, se puede conectar a un sistema de altavoces adicional para monitoreo de la mezcla. El nivel de esta salida se controla con la perilla ZONE del panel superior.
7. **SALIDA DE ZONA (RCA)** - Esta salida sirve para conectar a un dispositivo de monitoreo externo como un sistema de megafonía, monitores alimentados o un estéreo hogareño. Como alternativa, se puede conectar a un quemador de CD o grabador de audio. El nivel de esta salida se controla con la perilla ZONE del panel superior.
8. **SALIDA MAESTRA (RCA)** - Esta salida sirve para conectar a un sistema de megafonía, monitores alimentados o un estéreo hogareño. El nivel de esta salida se controla con el fader MASTER del panel superior.
9. **SALIDA MAESTRA (XLR)** - Esta salida XLR de baja impedancia sirve para conectar a un sistema de megafonía o monitores alimentados. El nivel de esta salida se controla con el fader MASTER del panel superior.
10. **USB** – Estas conexiones USB envían y reciben audio desde una computadora conectada. La funcionalidad de cada puerto (enviar o recibir) depende de la posición del conmutador USB SELECT correspondiente.

11. **SELECCIÓN DE USB** – Estos conmutadores determinan la funcionalidad de los puertos USB.

USB A:

RECORD – Envía la mezcla para grabar a su computadora a los fines de su grabación.

CH3 – Envía el audio entrante de su computadora al canal 3 del mezclador (es necesario que coloque el conmutador selector de entrada del canal en USB A).

USB B:

MASTER – Envía la mezcla maestra (de programa) a su computadora a los fines de su grabación.

CH4 – Envía el audio entrante de su computadora al canal 4 del mezclador (es necesario que coloque el conmutador selector de entrada del canal en USB B).

12. **ENTRADA DE CA** – Con el equipo apagado, use el cable de fuente de alimentación incluido para conectar el mezclador a un tomacorriente.

13. **SELECTOR DE VOLTAJE** – Este conmutador de 2 posiciones establece el voltaje de entrada de CA del altavoz. Los usuarios de EE.UU. deben colocar este conmutador en "100-120V", mientras que los del Reino Unido y la mayoría de los países europeos deben colocarlo en "220-240V".

14. **INTERRUPTOR DE ENCENDIDO** – Enciende y apaga el mezclador. Al encenderlo, asegúrese de que todos los dispositivos de entrada estén conectados para evitar daños a sus equipos. Encienda el mezclador antes que los amplificadores y altavoces, y apague los amplificadores antes de apagar el mezclador.

FUNCIONAMIENTO DE LA INTERFAZ USB

El CM3USB está equipado con dos puertos USB que le permiten reproducir contenido de su computadora a través del mezclador o grabar audio del mezclador directamente en su aplicación de software favorita. La interfaz USB de su mezclador funciona con su computadora igual que una tarjeta de sonido USB estándar. Además, la interfaz USB cumple las especificaciones de clase, es decir, no hay que instalar drivers ni software especiales. Simplemente, conecte un cable USB desde uno o ambos puertos a su computadora y ¡ya está todo listo!

CONFIGURACIÓN PARA WINDOWS

1. Encienda su computadora y el C3USB.
2. Use un cable USB para conectar uno (o ambos) puertos del C3USB a la computadora.
3. Windows reconocerá de inmediato al mezclador como un "USB Audio Device" (Dispositivo de audio USB) o un "USB Audio CODEC" (CODEC de audio USB) e instalará automáticamente los componentes del sistema que sean necesarios.

Para cambiar las preferencias de audio del sistema en Windows, es necesario acceder a las propiedades **Sounds and Audio Devices** (Dispositivos de sonido y audio), de **Control Panel** (Panel de control). Para acceder a la configuración de dispositivos de audio, haga clic en la lengüeta **Audio**.

La primera vez que conecte el C3USB a la computadora, el mezclador será asignado automáticamente como el dispositivo predeterminado (o "preferido") para la reproducción de sonido en la misma. Todos los sonidos de su computadora se envían al canal del mezclador indicado arriba de la conexión USB.

Nota: Si conectó ambos puertos USB a su computadora, los puertos se numeran en el orden en que se conectaron. Por ejemplo, si conectó el USB A antes que el USB B, el USB A aparece como "USB Audio CODEC" y el USB B como "USB Audio CODEC (2)".

- Para enviar audio desde su computadora al C3USB, seleccione "USB Audio CODEC" en el campo **Sound Playback** (Reproducción de sonido). Esto le permite reproducir audio de su computadora en uno de los canales del mezclador, según qué puerto USB se use para hacer la conexión.
- Para enviar audio desde el C3USB a su computadora, seleccione "USB Audio CODEC" en el campo **Sound Recording** (Grabación de sonido). Esto le permite grabar su mezcla en su computadora.

Nota: Si su aplicación de reproducción o grabación de sonido no tiene sus propios parámetros de entradas y salidas (por ejemplo, Windows Sound Recorder, Windows Media Player o Apple iTunes), usa los dispositivos configurados en Dispositivos de sonido y audio. Tenga en cuenta que estos parámetros se cargan al arrancar la aplicación, de modo que si cambia los parámetros de dispositivo cuando la aplicación está abierta, es necesario reiniciarla para que tengan efecto.

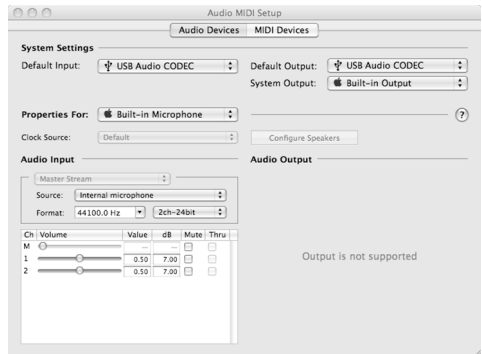
Consejo: Para evitar que Windows reproduzca sonidos del sistema (pitidos y campanas) a través del C3USB, recomendamos especialmente desactivarlos haciendo clic en la lengüeta **Sounds** (Sonidos) y seleccionando **No Sounds** (Sin sonidos) en el menú desplegable.



CONFIGURACIÓN PARA MAC

1. Encienda su computadora y el C3USB.
2. Use un cable USB para conectar uno (o ambos) puertos del C3USB a la computadora.
3. Windows reconocerá de inmediato al mezclador como un "USB Audio Device" (Dispositivo de audio USB) o "USB Audio CODEC" (CODEC de audio USB).

Para cambiar las preferencias de audio del sistema en una Mac, es necesario acceder a las preferencias **Audio MIDI Setup** (Configuración MIDI de audio) de **Applications ► Utilities** (Aplicaciones > Utilidades).



Nota: Si conectó ambos puertos USB a su computadora, los puertos se numeran en el orden en que se conectaron. Por ejemplo, si conectó el USB A antes que el USB B, el USB A aparece como "USB Audio CODEC" y el USB B como "USB Audio CODEC (2)".

- Para enviar audio desde su computadora al C3USB, seleccione "USB Audio CODEC" en el campo **Default Output** (Salida predeterminada). Esto le permite reproducir audio de su computadora en uno de los canales del mezclador, según qué puerto USB se use para hacer la conexión.
- Para enviar audio desde el C3USB a su computadora, seleccione "USB Audio CODEC" en el campo **Default Input** (Entrada predeterminada). Esto le permite grabar su mezcla en su computadora.

Consejo: Recomendamos dejar el campo **System Output** (Salida del sistema) configurado como **Built-in Output** (Salida incorporada). De esta forma se asegura que los sonidos del sistema (pitidos y campanas) no salgan a través del mezclador.

Nota: Si su aplicación de reproducción o grabación de sonido no tiene sus propios parámetros de entradas y salidas (por ejemplo, Apple iTunes), usa los dispositivos configurados en Dispositivos MIDI de audio. Tenga en cuenta que estos parámetros se cargan al arrancar la aplicación, de modo que si cambia los parámetros de dispositivo cuando la aplicación está abierta, es necesario reiniciarla para que tengan efecto.

USO DE AMBOS PUERTOS USB SIMULTÁNEAMENTE

Puesto que el C3USB tiene 2 puertos USB, es posible conectar una computadora diferente a cada conector USB o bien conectar ambos conectores a una misma computadora. Cada conector USB del mezclador aparece como un dispositivo de audio USB por separado en la computadora. Puede reproducir dos archivos de audio simultáneamente desde una computadora y enviar cada uno de esas corrientes de audio a un canal distinto de su mezclador usando dos cables USB.

Si lo hace, sugerimos que use uno de los muchos programas de software disponibles en el mercado compatibles con varias tarjetas de sonido.

En cambio, si no cuenta con ese tipo de software, puede usar dos reproductores de medios de software por separado. Para hacerlo, debe iniciar el primer reproductor de medios, luego cambiar el Preferred Audio Device (Dispositivo de audio preferido) al segundo puerto USB y luego iniciar su segundo reproductor de medios.

Nota: Algunas aplicaciones (como Windows Media Player) no permiten tener varios ejemplares funcionando al mismo tiempo. Cuando usted intente abrir un segundo archivo, el primero deja de reproducirse y se carga ese segundo archivo. Para solucionar este problema, puede usar reproductores diferentes para reproducir el segundo archivo. Por ejemplo, use Windows Media Player para reproducir el canal 1 y Musicmatch Juke Box para el canal 2.

Nota: Tenga en cuenta que no todos los reproductores de medios "recuerdan" qué tarjeta de sonido estaban usando en el momento del inicio.

SOLUCIÓN DE PROBLEMAS

Problema: La computadora no reconoció mi mezclador.

- El mezclador no está encendido. Encienda su mezclador.
- El cable USB no está conectado. Conecte el cable USB a su computadora y mezclador.
- Ya ha instalado un dispositivo de audio USB anteriormente. En ese caso, su mezclador debería funcionar sin ningún proceso de instalación. Simplemente, conéctelo. Sin embargo, es posible que tenga que cambiar el dispositivo de reproducción de sonido predeterminado de su computadora.
- No tiene la versión adecuada de Windows o Mac OS. Asegúrese que su sistema operativo sea compatible con este mezclador. (Por ejemplo, Windows 95 no soporta la interfaz USB y no funciona con este mezclador).

Problema: La calidad de la grabación es mala.

- La longitud de palabra y frecuencia de muestreo no están ajustadas a la calidad de CD en su software de grabación. Cambie la longitud de palabra a 16 bits y la frecuencia de muestreo a 44.1 KHz para obtener resultados de calidad de CD.
- El audio está distorsionado. Baje la ganancia en su mezclador para reducir el nivel del audio.
- El nivel del audio está muy bajo. Aumente el nivel hasta que vea actividad en los LED de medida.

Problema: Trato de reproducir un tema en el canal 2 y otro en el canal 3, pero ambos se mezclan en un solo canal.

- El dispositivo de reproducción de sonido no se configuró adecuadamente para una de sus aplicaciones de audio. Cierre una de las aplicaciones de reproducción, cambie el dispositivo de reproducción de sonido preferido como se explicó más arriba y abra nuevamente la aplicación. Tenga en cuenta que esta técnica no funciona con todos los reproductores de medios (por ejemplo, Real Player).
- Use un programa de audio dedicado que soporte 2 tarjetas de sonido.

Problema: El sonido sale por los altavoces de mi computadora en vez de ir a mi mezclador.

- El dispositivo de reproducción de sonido no se configuró correctamente. Cierre su aplicación de reproducción de audio, cambie su dispositivo de reproducción de sonido preferido como se explicó más arriba y abra nuevamente la aplicación.

Problema: Los sonidos de mi computadora (pitidos y campanas) van a mi mezclador.

- El dispositivo de reproducción de sonido está todavía configurado como su mezclador. Cambie el dispositivo de reproducción de sonido preferido como se explicó más arriba.
- Silencie los sonidos del sistema de su computadora, haciendo lo siguiente: Seleccione Sounds (Sonidos) y Audio Devices (Dispositivos de audio) en Control Panel (Panel de control) y pase a la lengüeta Sounds (Sonidos). Bajo Sound Scheme (Combinación de sonidos), elija la opción "No Sounds" (Sin sonidos) y haga clic en OK (Aceptar).
- Si tiene una Mac, no seleccionó "Play alerts and sound effects through Internal Speakers" (Reproducir alarmas y efectos de sonido por los altavoces internos). Consulte la sección de configuración para Mac para ver cómo hacerlo.

ESPECIFICACIONES

Entradas	Línea:	10 Kohmios de impedancia de entrada 77 mV rms de sensibilidad para una salida de 1.22 V
	Micrófono:	600 ohmios de impedancia de entrada no balanceada 1 mV rms de sensibilidad para una salida de 1.22 V 70 mV rms de entrada máximo
	Entrada fonográfica:	47 Kohmios de impedancia de entrada 1.2 mV rms de sensibilidad a 1 KHz para una salida de 1.22 V
Salida	Línea:	9V rms máximo
	Auriculares:	0.5 W en 47 ohmios
	Distorsión:	menos de 0.01%
Relación señal/ruido (salida máxima) ponderada según JIS-A		Línea: Mejor que 98 dB Micrófono: Mejor que 86 dB Entrada fonográfica: Mejor que 81 dB
Respuesta en frecuencia	Línea:	20 Hz – 20 KHz ± 0.5 dB
	Micrófono:	20 Hz – 15 KHz ± 0.5 dB
	Entrada fonográfica:	+/-1 dB salvo para atenuación controlada de -3 dB a 20 Hz para reducir el ronroneo y la retroalimentación
Ecuador de canal	Graves:	+12/-32 dB a 60 Hz
	Medios:	+12/-32 dB a 1.2 KHz
	Agudos:	+10/-28 dB a 15 KHz
Ecuador de micrófono de DJ	Graves:	± 10 dB a 100 Hz
	Agudos:	± 10 dB a 15 KHz
Consumo de energía	Consumo típico de 11 vatios 14.7 vatios con salida total a los auriculares.	

INTRODUCTION

Voici le C3USB, une console de mixage USB de 19 po pour professionnel. Si vous mixez des sources audio traditionnelles, telles que des tables tournantes et des lecteurs CD, ou des sources numériques, telles que des ordinateurs portables, le C3USB offre une série d'options d'entrées analogues et numériques conçues pour répondre aux besoins du DJ moderne. En plus de ses options d'entrées impressionnantes, le C3USB possède des sorties principales XLR symétriques et des sorties maître, zone et d'enregistrement RCA qui permettent de brancher la console de mixage à une grande sélection de systèmes de sonorisation et d'enregistreurs audio. Robuste et montable sur support (4 unités/19 po), le C3USB s'intègre parfaitement à toute installation DJ mobile ou fixe.

Nous espérons que le C3USB vous servira bien pendant plusieurs années.

Cordialement,

L'équipe de chez Numark

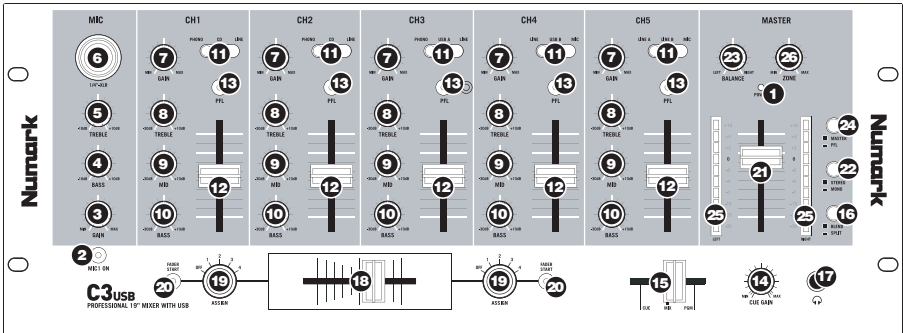
ENREGISTREMENT

Veillez visiter le <http://www.numark.com> pour enregistrer le C3USB. L'enregistrement vous permet d'être informé des mises à jour et des mises à niveau disponibles pour votre produit.

RÈGLES DE BASE

1. Assurez-vous que tous les articles énumérés sur la page couverture de ce guide sont inclus dans la boîte.
2. **LIRE LE LIVRET DES CONSIGNES DE SÉCURITÉ AVANT D'UTILISER LE PRODUIT.**
3. Examinez bien le schéma de raccordement.
4. Placez la console de mixage en position de fonctionnement.
5. Assurez-vous que tous les appareils sont hors tension et que tous les atténuateurs et le gain sont réglés à « zéro ».
6. Connectez toutes les sources d'entrées stéréo tel qu'indiqué sur le schéma.
7. Branchez toutes les sorties aux amplificateurs de puissance, aux lecteurs de cassettes et aux sources audio.
8. Branchez tous les appareils à une prise de courant alternatif (AC).
9. Mettre tous les appareils sous tension dans l'ordre suivant.
 - Sources d'entrée audio (p. ex. tables tournantes, lecteurs de disques compacts, etc.)
 - Console de mixage
 - En dernier, tous amplificateurs ou appareils de sortie
10. Pour mettre hors tension, toujours inverser l'opération.
 - Éteindre les amplificateurs
 - Console de mixage
 - En dernier, tous les appareils d'entrée

CARACTÉRISTIQUES DU PANNEAU AVANT



- POWER LED** – S'allume lorsque la console de mixage est sous tension.
- MIC ON/OFF** – Permet d'activer et de désactiver la sourdine du signal microphone. Lorsqu'activé (DEL est fermée), le signal microphone n'est pas ajouter au mix principal.
- MIC GAIN** – Ce contrôle ajuste le volume d'entrée du microphone.
- MIC BASS** – Permet de régler les fréquences basses du canal microphone.
- MIC TREBLE** – Permet de régler les fréquences aiguës du canal microphone.
- COMBO MICROPHONE INPUT** – Entrée combo microphone XLR ou ¼ po .
- CHANNEL GAIN** - Permet de régler le niveau de gain préatténuation du canal correspondant.
- CHANNEL TREBLE** – Permet de régler les fréquences aiguës du canal correspondant.
- CHANNEL MID** - Permet de régler les fréquences moyennes du canal correspondant.
- CHANNEL BASS** – Permet de régler les fréquences basses du canal correspondant.
- INPUT SELECTOR** – Ceci permet de changer la source d'entrée qui est acheminée au canal correspondant.
 - Sélectionnez « Phono » pour acheminer le signal audio provenant d'une table tournante phono.
 - Si vous utilisez des appareils à niveau ligne ligne, tels que lecteurs CD, échantillonneurs, etc., veuillez vous assurer que le sélecteur est réglé à « CD » ou à « Line ».
 - Si vous désirez acheminer de l'audio depuis un ordinateur branché à l'arrière de la console de mixage via USB, sélectionnez « USB ».
 - Sélectionnez « Mic » si vous désirez acheminer le signal audio d'un microphone branché au panneau arrière.
- CHANNEL FADER** – Utilisez cet atténuateur pour ajuster le niveau de l'audio acheminé au Program mix.
- CUE BUTTON** – Achemine le canal correspondant (post-gain, post-égalisation et préatténuation) au canal de pré-écoute (Cue).
- HEADPHONE VOLUME** – Ce bouton ajuste le niveau de la sortie du casque d'écoute.
- HEADPHONE MIX** – Permet de faire un fondu du signal entre CUE et Program sur le canal du casque d'écoute. Lorsqu'il est déplacé à l'extrémité gauche, uniquement les canaux acheminés au PFL seront entendus. Lorsqu'il est déplacé à l'extrémité droite, seul le mix du programme sera entendu. Veuillez noter que ceci fonctionne uniquement lorsque le bouton SPLIT/BLEND est à « Blend ».
- SPLIT / BLEND BUTTON** – En position « Split » ceci permet de diviser le signal audio du casque d'écoute de façon à ce que tous les canaux acheminés au casque soient mixés en mono puis envoyé à l'oreillette gauche et que le Program mix soit mixé en mono puis envoyé au canal droit. Lorsqu'il est à la position « Blend », l'audio de Cue et Program seront mixé ensemble.
- HEADPHONE JACK** – Permet de brancher un casque d'écoute de ¼ po pour la pré-écoute et le repérage.

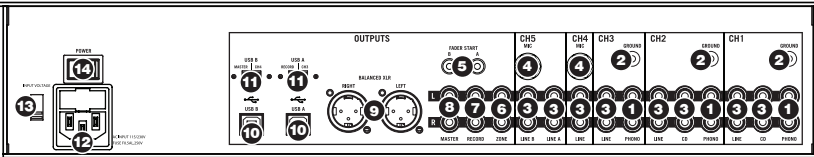
Important : Le volume devrait toujours être au plus faible niveau lors de la connexion ou de la déconnexion du casque d'écoute pour éviter d'endommager le casque et votre ouïe.
- CROSSFADER REMPLAÇABLE** – Cet atténuateur permet de mélanger l'audio entre les canaux assignés aux extrémités gauche et droite du crossfader (voir ASSIGN KNOB ci-dessous).

Note : Cet atténuateur est remplaçable par l'utilisateur s'il devait se détériorer. Retirez tout simplement le panneau avant et dévissez les vis qui le retiennent en position. Remplacez l'atténuateur avec un autre atténuateur de qualité approuvé par votre distributeur Numark.
- ASSIGN KNOB** – Permet de déterminer quel canal est acheminé l'une des extrémités du crossfader.

Note : Les niveaux des canaux non assignés au crossfader seront déterminés uniquement par les atténuateurs des canaux individuels.

20. **FADER START** – Lorsqu'activé, le crossfader envoie des commandes numériques à des appareils compatibles avec cette fonction et branchés au panneau arrière. Pour utiliser cette option, branchez la console à un appareil compatible avec cette fonction à l'aide de câbles stéréo de 1/8 po. En principe, si l'atténuateur est déplacé vers le canal actif, l'appareil qui s'y rattache commence la lecture. Lorsqu'il est déplacé vers l'autre extrémité, ce canal sera en mode pré-écoute comme si vous aviez appuyé sur la touche de pré-écoute (CUE) ou en mode arrêt selon l'appareil utilisé.
21. **MASTER FADER** – Ce bouton rotatif ajuste les niveaux de la sortie du Program mix.
22. **STEREO / MONO** Permet de choisir la sortie, stéréo ou mono, du Program mix, selon l'application. Certains amplificateurs ou systèmes de sonorisation requièrent une entrée mono.
23. **PANORAMIQUE** : Régle la position du signal du Program mix dans le panorama gauche-droite. Ce bouton permet de régler l'équilibre, atténuant le côté gauche du signal lorsque déplacé vers la droite, et atténuant le côté droit du signal lorsque déplacé vers la gauche.
Note : Ce réglage affecte les sorties Master, Record et Zone.
24. **METER ASSIGN** – Détermine lequel des niveaux audio PFL ou MASTER est acheminé à l'indicateur de niveau stéréo DEL.
25. **INDICATEURS DE NIVEAU STÉRÉO** – Ces voyants indiquent rapidement et de façon précise les niveaux des signaux audio acheminés. La fonctionnalité des indicateurs de niveau stéréo est déterminée par la touche METER ASSIGN.
 - Lorsqu'utilisé comme indicateur de sortie MASTER, réglez toutes les entrées du répartiteur, de l'égaliseur et de l'amplificateur de puissance afin d'éviter de produire de la distorsion à chaque étape de la chaîne audio. Gardez l'oeil sur l'indicateur de crête et vous obtiendrez un son des plus punchy sans distorsion sonore.
 - Lorsqu'utilisé pour régler les niveaux PFL, le signal PFL est acheminé à l'indicateur via les touches CUE ASSIGN. Adaptez de façon précise les niveaux des canaux pour qu'ils soient prêts pour le mixage à l'aide des réglages du gain pré-atténuateur et de l'égalisation.
26. **ZONE** – Le bouton ZONE permet de régler le niveau des sorties Record/Zone.
Conseil : Les sorties Record/Zone peuvent être utilisées afin d'acheminer un signal à niveau ligne à un contrôleur d'éclairage ou d'un système d'éclairage activé par le son.

CARACTÉRISTIQUES DU PANNEAU ARRIÈRE



1. **PHONO INPUTS** – Branchez des tables tournantes phono à ces entrées. Puisque ces entrées fournissent de l'amplification supplémentaire, reliez seulement des tables tournantes phono; brancher des appareils à niveau ligne à ces entrées pourrait endommager votre équipement (et à vos oreilles).
2. **GND** - Si vous utilisez des tables tournantes phono, veuillez brancher les fils de mise à la terre à ces bornes. S'il y a du ronflement ou du bourdonnement, vos tables tournantes ne sont probablement pas reliées à la terre.
Note : Certaines tables tournantes fabriquées récemment sont dotées d'un fil de mise à la terre intégré à la connexion RCA, et donc, n'ont pas besoin d'être relié à la borne de mise à la terre.
3. **LINE INPUTS** – Ces entrées permettent de brancher des lecteurs de disques compacts, lecteurs cassettes, échantillonneurs ou autres appareils à niveau ligne.
4. **MICROPHONE INPUTS** – Branchez un microphone de 1/4 po à ces entrées.
5. **FADER START CONNECTOR** – Si vous désirez utiliser un fader-start afin de repérer de la musique provenant d'appareils externes via l'atténuateur du C3USB, branchez ces sorties à l'appareil compatible avec la fonction fader-start. Utilisez un câble de 1/8 po stéréo afin de raccorder un appareil audio externe à cette sortie.
6. **RECORD OUTPUT (RCA)** – Cette sortie sert à brancher un appareil d'enregistrement tel qu'un lecteur de cassettes ou un graveur de CD. Vous pourriez également brancher cette sortie à un système de sonorisation supplémentaire afin de faire la pré-écoute du mix. Le niveau de sortie est commandé par le bouton Zone sur le panneau supérieur.
7. **ZONE OUTPUT (RCA)** – Cette sortie sert à connecter un système audio externe tel qu'un système de sonorisation, des moniteurs amplifiés ou une stéréo maison. Il est également possible de brancher un graveur CD ou un lecteur de cassettes. Le niveau de sortie est commandé par le bouton Zone sur le panneau supérieur.
8. **MASTER OUTPUT (RCA)** – Branchez-la à un système de sonorisation, à des moniteurs amplifiés ou un stéréo maison à l'aide d'une entrée stéréo RCA. Le niveau de sortie principale est commandé par le potentiomètre MASTER sur le panneau supérieur.
9. **MASTER OUTPUT (XLR)** – Ce connecteur XLR à basse impédance sert à connecter un système audio externe tel qu'un système de sonorisation, des moniteurs amplifiés. Le niveau de sortie principale est commandé par le potentiomètre MASTER sur le panneau supérieur.
10. **USB** – Ces prises permettent de recevoir et d'envoyer des données audio depuis un ordinateur connecté. La fonctionnalité de chaque port (envoi ou reçoit) dépend de la position du sélecteur USB correspondant.

- 11. USB SELECT** – Ces commutateurs déterminent la fonctionnalité des ports USB.

USB A:

RECORD – Cette sortie envoie le Record mix à l'ordinateur afin d'être enregistrée.

CH3 – Cette entrée achemine le signal audio de votre ordinateur vers le canal 3 de la console (le commutateur du canal doit être en position USB A).

USB B:

MASTER – Cette sortie permet d'acheminer le signal de sortie du Master (Program) mix de l'ordinateur afin d'être enregistré.

CH4 – Cette entrée achemine le signal audio de votre ordinateur vers le canal 4 de la console (le commutateur du canal doit être en position USB B).

- 12. AC IN** – Avec l'interrupteur de mise en marche hors tension, utilisez le câble d'alimentation fourni pour brancher l'appareil à une prise de courant active.

- 13. VOLTAGE SELECTOR** – Ce sélecteur à deux positions permet de régler la tension alternative pour l'enceinte. Pour les États-Unis, réglez à 100-120 V; pour le Royaume-Uni et la plupart des pays européens, réglez à 220-240 V.

- 14. L'interrupteur d'alimentation (POWER)**: Met l'appareil sous et hors tension. Utiliser cet interrupteur pour mettre en marche l'appareil uniquement après que tous les appareils soient branchés afin d'éviter d'endommager votre équipement. Mettez la console sous tension avant les amplificateurs, les haut-parleurs et mettez hors tension les amplificateurs avant la console.

FUNCTIONNEMENT USB

Le C3USB est équipé de deux ports USB qui vous permettent de lire le contenu de votre ordinateur via la console de mixage, ou d'enregistrer de l'audio de la console à votre application logicielle préférée. L'interface USB de votre console fonctionne avec votre ordinateur telle une carte de son USB standard. De plus, l'interface USB est nativement compatible, il n'y a donc pas de pilote ou de logiciel à installer; branchez simplement le câble USB d'un port USB à l'autre et c'est prêt à utiliser.

CONFIGURATION SOUS WINDOWS

- Mettre l'ordinateur et le C3USB sous tension.
- Branchez un câble USB pour brancher un port (ou les deux) du C3USB au port USB de votre ordinateur.
- Windows identifie immédiatement la console de mixage en tant qu'appareil audio USB (USB Audio Device) ou codec de compression audio USB (USB Audio CODEC).

Pour modifier les paramètres audio dans Windows, vous devez accéder aux paramètres **Sons et périphériques audio** dans le **Panneau de configuration**. Pour accéder aux paramètres des appareils audio, cliquez sur l'onglet **Audio**.

La première fois que vous effectuerez cette opération, la console de mixage sera automatiquement assignée comme l'appareil de lecture audio par défaut (ou préféré) sur votre ordinateur. Tous les signaux audio de votre ordinateur seront acheminés à la console de mixage via le câble USB.

Note: Si les deux ports sont branchés à l'ordinateur, les ports seront numérotés dans l'ordre qu'ils auront été branchés. Par exemple, si vous branchez USB A avant USB B, USB A apparaîtra comme « **USB Audio CODEC** » et USB B apparaîtra comme « **USB Audio CODEC (2)** ».

- Pour envoyer de l'audio de l'ordinateur à la console C3USB, sélectionnez « **USB Audio CODEC** » dans le champ **Lecture audio**. Ceci permet de faire jouer de l'audio de votre ordinateur dans un des deux canaux de la console, selon le port USB utilisé pour la connexion.
- Sélectionnez simplement « **USB Audio Codec** » dans le champ **Enregistrement audio** comme appareil de lecture audio et l'audio depuis la console sera acheminé à votre ordinateur. Ceci vous permet d'enregistrer une session de mixage sur votre ordinateur.

Note: Si votre application de lecture ou d'enregistrement audio ne possède pas ses propres réglages pour l'entrée et la sortie audio (par exemple, Windows Sound Recorder, Windows Media Player ou Apple iTunes), il utilisera les appareils réglés dans **Sons et périphériques audio**. Veuillez noter que ces réglages sont chargés lorsque l'application est lancée, alors si vous changez les paramètres lorsque l'application est ouverte, vous devrez quitter puis relancer afin que les réglages prennent effet.

Conseil: Afin que les bips et alarmes systèmes de Windows ne passe pas via la console, nous vous recommandons des les désactiver en cliquant sur l'onglet **Sons** et en sélectionnant **Aucuns sons** du menu déroulant.



CONFIGURATION MAC

1. Mettre l'ordinateur et la console de mixage sous tension.
2. Branchez un câble USB pour brancher un port (ou les deux) du C3USB au port USB de votre ordinateur
3. Windows identifie immédiatement la console de mixage en tant qu'appareil audio USB (USB Audio Device) ou codec de compression audio USB (USB Audio CODEC).

Pour modifier les paramètres audio dans Windows, vous devez accéder aux **Paramètres Audio MIDI** dans **Applications ►Utilités**.

Note : Si les deux ports sont branchés à l'ordinateur, les ports seront numérotés dans l'ordre qu'ils auront été branchés. Par exemple, si vous branchez USB A avant USB B, USB A apparaîtra comme « USB Audio CODEC » et USB B apparaîtra comme « USB Audio CODEC (2) ».

- Pour envoyer de l'audio de l'ordinateur à la console C3USB, sélectionnez « USB Audio CODEC » dans le champ Sortie par défaut. Ceci permet de faire jouer de l'audio de votre ordinateur dans un des deux canaux de la console, selon le port USB utilisé pour la connexion.
- Sélectionnez simplement « USB Audio Codec » dans le champ Entrée par défaut comme appareil de lecture audio et l'audio depuis la console sera acheminé à votre ordinateur. Ceci vous permet d'enregistrer une session de mixage sur votre ordinateur.

Conseil : Réglez *Sortie système* à *Sortie intégrée*. Ceci fait en sorte que les sons système (bips et alarmes) ne se feront pas entendre via la console.

Note : Si votre application de lecture ou d'enregistrement audio ne possède pas ses propres réglages pour l'entrée et la sortie audio (par exemple, Apple iTunes), il utilisera les appareils réglés dans Paramètre Audio MIDI. Veuillez noter que ces réglages sont chargés lorsque l'application est lancée, alors si vous changez les paramètres lorsque l'application est ouverte, vous devrez quitter puis relancer afin que les réglages prennent effet.

UTILISATION DES DEUX PORTS SIMULTANÉMENT

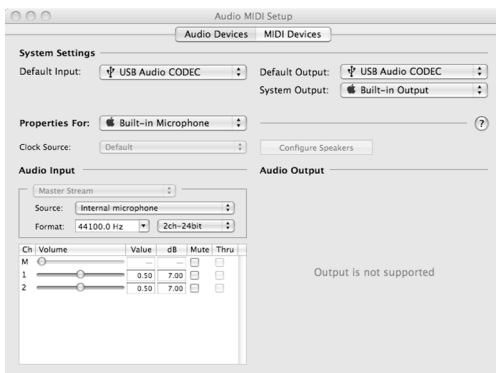
Comme le C3USB est doté de deux ports USB, il est possible de connecter un ordinateur à chaque port, ou vous pouvez brancher les deux ports à un ordinateur. Chaque prise USB sur la console de mixage apparaît comme un appareil audio USB distinct sur votre ordinateur. Il est possible de faire la lecture de deux fichiers audio simultanément sur un ordinateur et d'acheminer ces mêmes flots de données audio à des canaux séparés de votre console de mixage à l'aide de deux câbles USB.

Si c'est ce que vous désirez, nous vous recommandons d'utiliser un logiciel qui supporte de multiples cartes de son, il y en existe plusieurs sur le marché.

Cependant, si vous ne possédez pas de tel logiciel, vous pouvez utiliser deux lecteurs média. Pour ce faire, vous devez démarrer le lecteur média en premier, assigner ensuite l'appareil audio par défaut (Preferred Audio Devices) au deuxième port, et ensuite démarrer le deuxième lecteur média.

Note : Plusieurs lecteurs média (comme Windows Media Player) ne permettent pas d'instance multiple simultanée. Lorsque vous essayez d'ouvrir le second fichier, le premier arrête de jouer et le deuxième est chargé. Il vous faut donc utiliser un lecteur différent pour faire la lecture du deuxième fichier. Par exemple, utilisez Windows Media Player pour le canal 1 et Musicmatch Juke Box pour le canal 2.

Note : Veuillez noter que ce n'est pas tous les lectures média qui se souviennent de la carte de son qu'ils utilisaient au démarrage, cette méthode ne fonctionne pas avec tous les lecteurs logiciels.



DÉPANNAGE

Problème : L'ordinateur n'a pas pu identifier la console de mixage.

- La console de mixage est hors tension. Mettre la console de mixage sous tension.
- Le câble USB n'est pas branché. Branchez le câble USB à votre ordinateur et à la console de mixage.
- Vous avez déjà installé un appareil audio USB auparavant. Dans ce cas, la console de mixage devrait fonctionner sans que vous ayez à refaire l'installation. Vous n'avez qu'à la brancher. Il se peut que vous ayez à changer l'appareil de lecture audio par défaut, par contre.
- Vous n'avez pas la bonne version de Windows ou de Mac OS d'installée sur votre ordinateur. Assurez-vous que le système d'exploitation installé sur votre ordinateur est compatible avec cette console de mixage. (Par exemple, Windows 95 ne supporte pas la technologie USB, et n'est pas compatible avec cette console).

Problème : L'enregistrement est de mauvaise qualité.

- La quantification et la fréquence d'échantillonnage ne sont pas réglées pour une qualité CD dans la configuration de votre logiciel d'enregistrement. Modifiez la quantification à 16 bits et la fréquence d'échantillonnage à 44,1 kHz pour une qualité CD.
- Il y a de la distorsion dans le signal audio. Diminuez le gain de votre console de mixage pour réduire le niveau de l'audio.
- Le niveau de l'audio est trop bas. Augmentez le niveau jusqu'à ce qu'il y ait de l'activité dans les vumètres.

Problème : J'essaie de faire jouer une chanson sur le canal 2 et une autre dans le canal 3, mais elles sont acheminées toutes les deux au même canal.

- L'appareil de lecture audio (Sound Playback Device) n'a pas été bien configuré pour une de vos applications audio. Fermez une des applications, changez ensuite l'appareil de lecture audio par défaut (Preferred Sound Playback Device) tel que décrit plus haut, et rouvrez l'application. Malheureusement, cette technique ne fonctionne pas avec tous les lecteurs média par exemple, le lecteur Real Player.
- Utilisez un programme audio spécialisé qui supporte 2 cartes de son.

Problème : Le son sort des haut-parleurs de mon ordinateur au lieu d'être acheminé vers la console de mixage.

- L'appareil de lecture audio est mal configuré. Fermez l'application de lecture audio, changez ensuite l'appareil de lecture audio par défaut (Preferred Sound Playback Device) tel que décrit plus haut, et rouvrez l'application.

Problème : Les sons de mon ordinateur (bips et sons de cloche) sont acheminés à la console de mixage.

- L'appareil de lecture audio est configuré pour acheminer les sons de votre ordinateur à la console de mixage. Changez l'appareil de lecture audio par défaut (Preferred Sound Playback Device) tel que décrit plus haut.
- Désactivez tous les sons de votre ordinateur en utilisant une des options suivantes : Sélectionnez « Son et périphériques audio » (Sounds and Audio Devices) dans le « Panneau de configuration » (Control Panel) et cliquez l'onglet « Audio » (Sounds). Sous « Son » (Sound Scheme), sélectionnez l'option «Aucun son» (No Sounds) et cliquez sur OK.
- Si vous utilisez un Mac, vous n'avez pas sélectionné l'option « Play alerts and sound effects through Internal Speakers ». Voir la section pour Mac afin de pouvoir modifier la configuration.

FICHE TECHNIQUE

Entrées	Ligne :	10 K ohm d'impédance d'entrée Sensibilité 77 mV rms pour sortie 1,22 V
	Micro :	600 ohm d'impédance d'entrée asymétrique Sensibilité 1 mV rms pour sortie 1,22 V 70 mV rms max. d'entrée
	Phono :	47 K ohm d'impédance d'entrée Sensibilité 1,2 mV rms à 1 kHz pour sortie 1,22 V
Sortie	Ligne :	9 V rms max.
	Casque d'écoute :	0,5 W dans 47 ohm
	Distorsion :	inférieure à 0,01 %
Rapport signal bruit (maximum sortant) pondéré JIS-A	Ligne :	supérieur à 98 dB
	Micro :	supérieur à 86 dB
	Phono :	supérieur à 81 dB
Réponse en fréquence :	Ligne :	20 Hz-20 kHz ±0,5 dB
	Micro :	20 Hz-15kHz ±0,5 dB
	Phono :	+/-1 dB à l'exception de l'atténuation contrôlée de -3 dB @ 20 Hz pour réduire le grondement et l'effet Larsen
Égalisateur de canal :	Graves :	+12/-32 dB @60 Hz
	Centre :	+12/-32 dB @ 1.2KHz
	Aiguës (Treble) :	+10/-28 dB @ 15KH
Égalisation micro :	Graves :	±10dB @ 100Hz
	Aiguës (Treble) :	±10dB @ 15KH
Consommation électrique		11 watts
		14,7 watts puissance maximale

INTRODUZIONE

Benvenuti al mixer C3USB professionale da 19" con USB. Sia che stiate mixando sorgenti audio tradizionali quali giradischi e lettori CD o incorporando sorgenti digitali quali computer portatili, il C3USB offre tutta una gamma di opzioni di ingresso analogico e digitale progettate per venire incontro alle necessità del DJ moderno. Oltre alle sue impressionanti opzioni di ingresso, il C3USB presenta uscite Master XLR bilanciate e uscite RCA Master / Zone / Record per il collegamento del mixer ad un'ampia gamma di impianti di altoparlanti e registratori audio. Il design 4RU da 19" 4RU installabile su rack di livello industriale garantisce che il C3USB possa essere facilmente incorporato in qualsiasi impianto per DJ mobile o da club esistente.

Ci auguriamo che il C3USB vi accompagni con soddisfazione per molti anni a venire.

Cordialmente,

Il team Numark

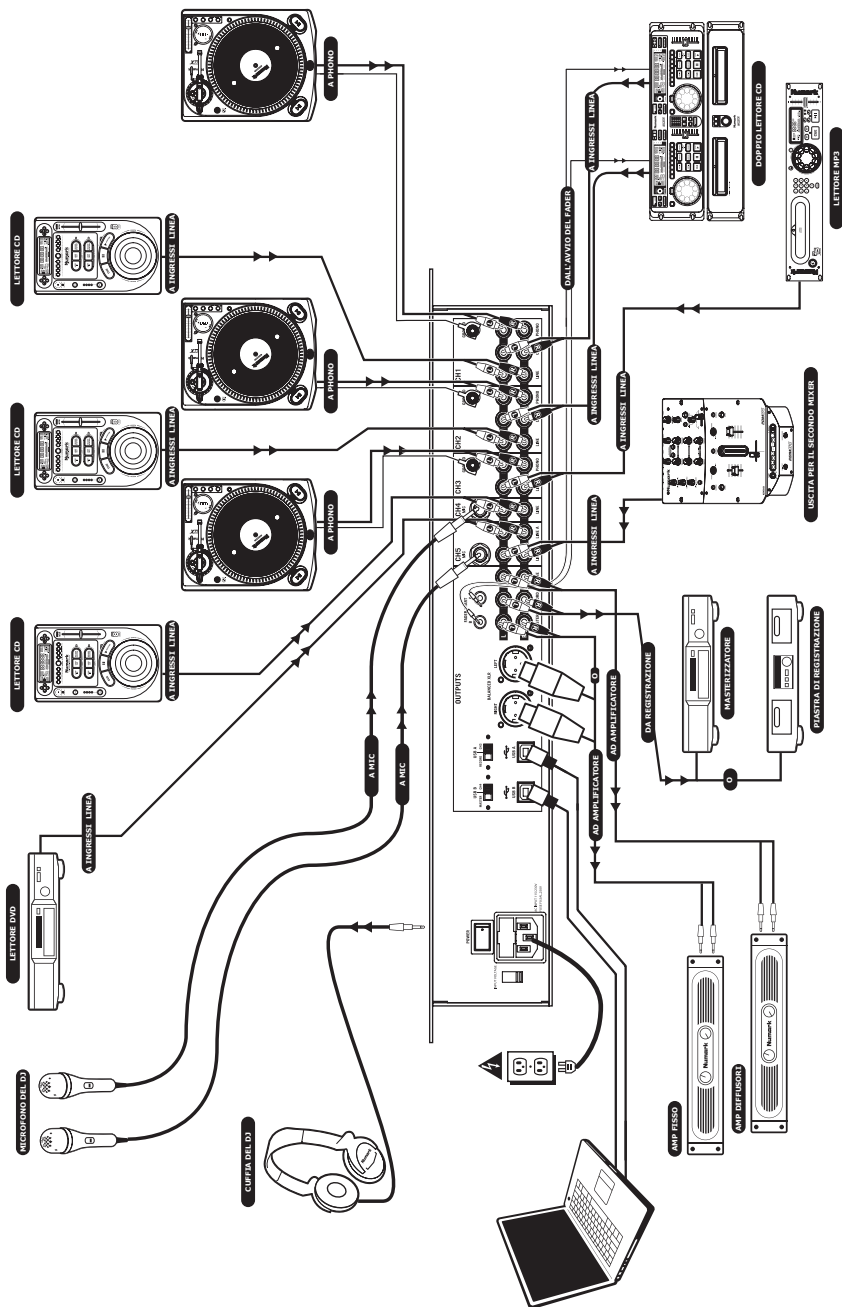
REGISTRAZIONE

Recarsi alla pagina <http://www.numark.com> per registrare il C3USB. La registrazione del prodotto garantisce che possiamo tenervi aggiornati con tutti gli ultimissimi sviluppi del prodotto e offrirvi assistenza tecnica di livello mondiale, in caso di eventuali problemi.

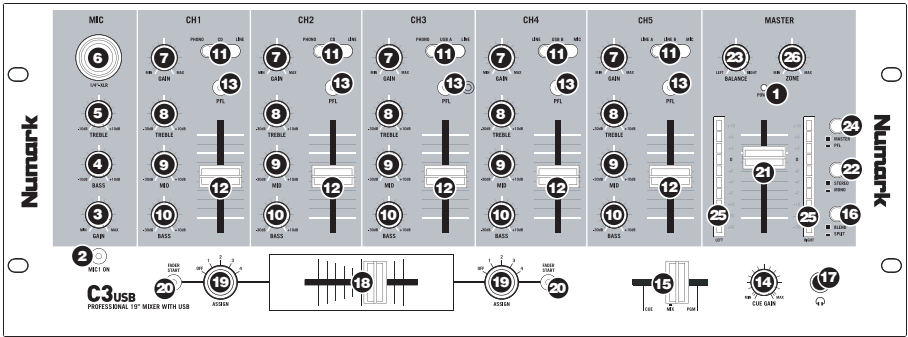
NORME FONDAMENTALI

1. Assicurarsi che tutti gli elementi elencati sul frontespizio della presente guida si trovino nella confezione.
2. **LEGGERE ATTENTAMENTE IL LIBRETTO DELLE ISTRUZIONI DI SICUREZZA PRIMA DI UTILIZZARE IL PRODOTTO.**
3. Studiare con cura lo schema dei collegamenti fornito nella guida.
4. Sistemare il mixer in una posizione adeguata all'uso.
5. Assicurarsi che tutti i dispositivi siano spenti e che tutti i fader e le manopole di guadagno siano impostati su "zero".
6. Collegare tutte le sorgenti di ingresso stereo come indicato nello schema.
7. Collegare le uscite stereo ad amplificatori, mangianastrì e/o altre sorgenti audio.
8. Collegare tutti i dispositivi all'alimentazione CA.
9. Accendere tutto nel seguente ordine:
 - sorgenti di ingresso audio (giradischi, lettori CD, ecc.)
 - il mixer
 - infine, eventuali amplificatori o dispositivi di uscita
10. Al momento dello spegnimento, invertire questa operazione spegnendo:
 - gli amplificatori
 - il mixer
 - infine, qualsiasi dispositivo di ingresso

SCHEMA DEI COLLEGAMENTI



PANORAMICA PANNELLO ANTERIORE



1. **LED DI ALIMENTAZIONE** – Si illumina quando il mixer è acceso.
2. **MIC ON/OFF** – Silenzia e riattiva il segnale microfono. Quando è silenziato (il LED è spento), il segnale microfono non verrà convogliato al master mix.
3. **MIC GAIN** (guadagno mic) – Regola il volume dell'ingresso del microfono.
4. **MIC BASS** (bassi mic) – Regola le frequenze basse (bass) del canale del microfono.
5. **MIC TREBLE** (acuti mic) – Regola le frequenze alte (treble) del canale del microfono.
6. **INGRESSO COMBO MICROFONO** – Questo jack "combo" è adatto a microfoni XLR o da 1/4".
7. **CHANNEL GAIN** (guadagno canale) – Regola il guadagno audio pre-fader del canale corrispondente.
8. **CHANNEL TREBLE** (acuti di canale) – Regola le frequenze alte (treble) del canale corrispondente.
9. **CHANNEL MID** (medi di canale) – Regola le frequenze medie del canale corrispondente.
10. **CHANNEL BASS** (bassi di canale) – Regola le frequenze basse (bass) del canale corrispondente.
11. **SELETTORE DI INGRESSI** – Seleziona quale sorgente di ingresso verrà convogliata al canale corrispondente.
 - Selezionare "Phono" se si desidera convogliare audio da un giradischi collegato a livello phono.
 - Selezionare "CD" o "Linea" se si utilizzano dispositivi a livello di linea quali lettori CD, campionatori, ecc.
 - Selezionare "USB" se si desidera convogliare audio da un computer collegato alla parte posteriore del mixer tramite USB.
 - Selezionare "Mic" se si desidera convogliare audio da un microfono collegato al pannello posteriore.
12. **FADER CANALE** – Regola il livello audio inviato al mix di programma (Program).
13. **TASTO CUE** – Convoglia il canale corrispondente (fader post-gain, post-EQ e pre-canale) al canale Cue per l'anteprima.
14. **VOLUME CUFFIE** – Regola il livello del volume dell'uscita cuffie.
15. **MIX CUFFIE** – Sfuma tra Cue e Program nel canale cuffie. Quando impostato all'estrema sinistra, si udranno unicamente i canali convogliati a PFL. Quando impostato all'estrema destra, si udrà solo il mix programma. Va notato che questo comando ha effetto unicamente quando il tasto SPLIT / BLEND si trova su "Blend".
16. **TASTO SPLIT / BLEND** (dividi/miscela) – Quando questo interruttore è abbassato, l'audio delle cuffie sarà "suddiviso" in modo che tutti i canali inviati a CUE vengano mixati a mono e applicati al canale cuffie di sinistra, e che il mix Program venga mixato a mono e applicato al canale destro. Quando l'interruttore è alzato, l'audio Cue e Program verranno "miscelati" insieme.
17. **JACK CUFFIE** – Collegare le cuffie da 1/4" a questa uscita per l'anteprima e il cueing.

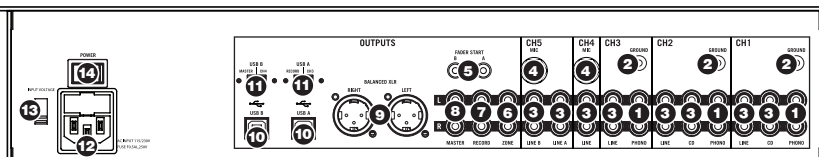
Importante: il volume deve sempre essere impostato al minimo al momento di collegare e scollegare le cuffie per evitare danni alle cuffie e all'udito.
18. **CROSSFADER SOSTITUIBILE** – Miscela l'audio assegnati ai lati sinistro e destro del crossfader (vedi MANOPOLA ASSIGN di seguito).

Nota bene: il crossfader è sostituibile dall'utente in caso di usura. Rimuovere il pannello anteriore e le viti che lo tengono in posizione. Sostituire il fader con un ricambio autorizzato acquistato presso il proprio rivenditore Numark locale.
19. **MANOPOLA ASSIGN** – Determina quale canale verrà convogliato a ciascun lato del crossfader.

Nota bene: il livello del volume dei canali non selezionati verrà determinato unicamente dai singoli cursori di canale.
20. **FADER START** – Quando attivato, il crossfader invierà i comandi a impulso digitale di riproduzione e cue a dispositivi compatibili con fader-start collegati al pannello posteriore. Per sfruttare al meglio il fader start, collegare il mixer ad un dispositivo compatibile con fader-start servendosi di cavi stereo standard da 1/8". Quando si sposta il crossfader verso il canale attivo, il dispositivo collegato verrà attivato. Quando viene allontanato, il dispositivo effettuerà il cueing (simile alla pressione del tasto cue) o si fermerà, a seconda del dispositivo in uso.
21. **MASTER FADER** – Questo comando regola il volume di uscita del mix di Programma.

22. **STEREO / MONO** – Permette di convogliare come uscita il mix Programma sotto forma di segnale mono o stereo, a seconda dell'applicazione. Alcuni impianti di amplificazione o casse potrebbero richiedere un ingresso mono.
23. **PANNING** – Regola il mix Programma nel panorama sinistra-destra. Girando la manopola verso destra, il lato sinistro del segnale viene attenuato e viceversa.
Nota bene: questa configurazione coinvolge le uscite Master, Record, e Zone.
24. **METER ASSIGN** (assegnazione misuratore) – Determina se verranno inviati livelli audio PFL o MASTER al misuratore LED stereo.
25. **INDICATORE di LIVELLO STEREO** – Traccia rapidamente e con precisione i livelli audio. La funzione degli indicatori di livello è determinata dal tasto METER ASSIGN.
 - **Quando utilizzato come misuratore di uscita MASTER**, impostare gli ingressi di crossover, equalizzatore e ampli di alimentazione per evitare distorsioni in ciascuna fase della catena audio. Prestare la debita attenzione al misuratore di picco garantisce di ottenere il massimo del suono senza distorsioni udibili.
 - **Quando utilizzato per regolare i livelli PFL**, il segnale cue PFL viene inviato al misuratore tramite i tasti CUE ASSIGN. Abbinare con cura i livelli dei canali con i comandi di guadagno pre-fader ed EQ prima di miscelarli insieme.
26. **ZONE** – Controlla il livello audio delle uscite Record / Zone (registrazione/zona).
Suggerimento: le uscite Record / Zone possono essere utilizzate per fornire audio a livello di linea ad un controller luminoso o ad un sistema di illuminazione attivato sonoramente.

PANORAMICA PANNELLO POSTERIORE



1. **INGRESSI PHONO** – Collegare giradischi a livello phono a questi ingressi. Poiché questi ingressi offrono un'ulteriore amplificazione, collegare *unicamente* giradischi a livello phono; il collegamento di dispositivi a livello di linea a questi ingressi potrebbe danneggiare le apparecchiature (e il vostro udito).
2. **GND (terra)** – Se si utilizzano giradischi a livello phono dotati di cavo di messa a terra, questo va collegato a questi terminali. Se si verifica un "ronzio" o un "brusio" basso, ciò può significare che i giradischi non sono messi a terra.
Nota bene: alcuni giradischi hanno il cavo di messa a terra incorporato nel collegamento RCA e, di conseguenza, non è necessario collegare nulla al terminale di messa a terra.
3. **INGRESSI DI LINEA** – Collegare dispositivi a livello di linea quali lettori CD, mangianastri o campionatori a questi ingressi.
4. **INGRESSI MICROFONO** – Collegare a questi ingressi microfoni da 1/4".
5. **CONNETTORE FADER START** – Se si desidera utilizzare il fader-start per automaticamente avviare ed effettuare il cueing di musica proveniente da dispositivi esterni tramite il crossfader del C3USB, collegare queste uscite al dispositivo compatibile fader-start. Per effettuare questo collegamento si può utilizzare un cavo stereo standard da 1/8".
6. **USCITA DI REGISTRAZIONE (RCA)** – Collegare questa uscita ad un masterizzatore CD o ad un registratore audio. Alternativamente, si può collegare questa uscita ad un impianto di altoparlanti aggiuntivo per il monitoraggio del mix. Il livello di questa uscita è controllato tramite la manopola ZONE sul pannello superiore.
7. **USCITA ZONA (RCA)** – Collegare questa uscita ad un dispositivo di monitoraggio esterno quali un impianto PA, monitor o un home stereo. Alternativamente, si può collegare questa uscita ad un masterizzatore CD o ad un registratore audio. Il livello di questa uscita è controllato tramite la manopola ZONE sul pannello superiore.
8. **USCITA MASTER (RCA)** – Collegare questa uscita ad un impianto PA, monitor o un home stereo. Il livello di questa uscita è controllato tramite il fader MASTER sul pannello superiore.
9. **USCITA MASTER (XLR)** – Collegare questa uscita XLR a bassa impedenza ad un impianto PA o a monitor. Il livello di questa uscita è controllato tramite il fader MASTER sul pannello superiore.
10. **USB** – Questi collegamenti USB inviano e ricevono audio da un computer collegato. La funzione di ciascuna porta (invio o ricezione) dipende dalla posizione del corrispondente interruttore USB SELECT (selezione USB).

11. **USB SELECT** (selezione USB) – Questi interruttori determinano la funzione delle porte USB.
USB A:
RECORD – Convoglia l'uscita del mix Record al computer per la registrazione.
CH3 – Invia l'audio in ingresso proveniente dal computer al Canale 3 del mixer (sarà necessario impostare l'interruttore selettore di ingressi del canale su USB A).
USB B:
MASTER – Convoglia l'uscita del mix Master (Programma) al computer per la registrazione.
CH4 – Invia l'audio in ingresso proveniente dal computer al Canale 4 del mixer (sarà necessario impostare l'interruttore selettore di ingressi del canale su USB B).
12. **AC IN** (ingresso CA) – Quando l'alimentazione è spenta, servirsi del cavo di alimentazione in dotazione per collegare il mixer ad una presa di corrente.
13. **SELETTORE DI VOLTAGGIO** – Questo interruttore a 2 posizioni imposta il voltaggio di ingresso CA per le casse. Gli utenti americani dovrebbero impostare questo interruttore su "100-120V", mentre gli utenti del Regno Unito e la maggior parte degli utilizzatori europei devono impostarlo su "220-240V".
14. **INTERRUTTORE DI ALIMENTAZIONE (POWER)** – Questo pulsante accende e spegne il mixer. Al momento dell'accensione, assicurarsi che tutti i dispositivi di ingresso siano collegati per evitare danni all'attrezzatura. Accendere il mixer prima di accendere gli amplificatori e le casse e spegnere gli amplificatori prima di spegnere il mixer.

FUNZIONE USB

Il CM3USB è dotato di due porte USB che permettono di riprodurre i contenuti dal computer tramite il mixer, o di registrare audio dal mixer direttamente nell'applicazione software preferita. L'interfaccia USB sul mixer funziona con il computer esattamente come una scheda audio USB standard. Inoltre, l'interfaccia USB è compatibile, dunque non occorre installare speciali driver o software; basterà collegare un cavo USB ad una o entrambe le porte USB del computer per essere pronti a partire!

CONFIGURAZIONE WINDOWS

1. Accendere il computer ed il C3USB.
2. Servirsi di un cavo USB per collegare una o entrambe le porte del C3USB al computer.
3. Windows riconoscerà immediatamente il mixer come "Dispositivo USB Audio" o "USB Audio CODEC" ed installerà automaticamente tutti i componenti di sistema necessari.

Per modificare le impostazioni audio in Windows, recarsi in **Suoni e periferiche Audio**, in **Pannello di Controllo**. Per accedere alla configurazione delle periferiche audio, cliccare sulla linguetta **Audio**.

La prima volta che si collega il C3USB al computer, il mixer verrà automaticamente assegnato come Periferica Predefinita (o "Preferita") per la riproduzione sonora sul computer. Tutti i suoni del computer verranno inviati al canale del mixer indicato sopra al collegamento USB.

Nota bene: se avete collegato entrambe le porte USB al computer, queste verranno numerate nell'ordine in cui sono state collegate. Ad esempio, se è stata collegata la porta USB A prima di quella USB B, l'USB A apparirà come "USB Audio CODEC" e l'USB B apparirà come "USB Audio CODEC (2)".

- Per inviare audio dal computer al C3USB, selezionare "USB Audio CODEC" nel campo **Riproduzione suoni**. Questo vi permette di riprodurre audio dal computer in uno dei canali del mixer, a seconda della porta USB utilizzata per il collegamento.
- Per inviare audio dal C3USB al computer, selezionare "USB Audio CODEC" nel campo **Registrazione suoni**. Ciò vi permette di registrare il mix sul computer.

Nota bene: se l'applicazione di riproduzione o di registrazione sonora non è dotata di configurazioni proprie di ingresso e di uscita (ad esempio, Windows Sound Recorder, Windows Media Player o Apple iTunes), si servirà dei dispositivi impostati in **Suoni e periferiche Audio**. Va notato che queste configurazioni vengono caricate all'avviamento dell'applicazione, quindi se si modificano le configurazioni del dispositivo quando l'applicazione è aperta, sarà necessario lanciare nuovamente quest'ultima affinché le modifiche stesse abbiano effetto.

Suggerimento: per impedire a Windows di riprodurre suoni di sistema tramite il C3USB, si raccomanda vivamente di disabilitarli cliccando sulla linguetta **Suoni** e selezionando **Nessun suono** dal menu a tendina.



CONFIGURAZIONE MAC

1. Accendere il computer ed il C3USB.
2. Servirsi di un cavo USB per collegare una o entrambe le porte del C3USB al computer.
3. Windows riconoscerà immediatamente il mixer come "Dispositivo USB Audio" o "USB Audio CODEC".

Per modificare le preferenze relative all'audio di sistema sul Mac, accedere ad **Audio MIDI Setup** in **Applicazioni ► Utilità**.

Nota bene: se avete collegato entrambe le porte USB al computer, queste verranno numerate nell'ordine in cui sono state collegate. Ad esempio, se è stata collegata la USB A prima della USB B, USB A apparirà come "USB Audio CODEC" ed USB B apparirà come "USB Audio CODEC (2)".

- Per inviare audio dal computer al C3USB, selezionare "USB Audio CODEC" nel campo **Uscita predefinita**. Questo vi permette di riprodurre audio dal computer in uno dei canali del mixer, a seconda della porta USB utilizzata per il collegamento.
- Per inviare audio dal C3USB al computer, selezionare "USB Audio CODEC" nel campo **Ingressi predefiniti**. Ciò vi permette di registrare il mix sul computer.

Suggerimento: si raccomanda di lasciare il campo **Uscite di sistema** impostato su **Uscita incorporata**. In questo modo i suoni di sistema non verranno riprodotti tramite il mixer.

Nota bene: se l'applicazione di riproduzione o di registrazione sonora non è dotata di configurazioni proprie di ingresso e di uscita (ad esempio Apple iTunes), si servirà dei dispositivi impostati in Audio MIDI Setup. Va notato che queste configurazioni vengono caricate all'avviamento dell'applicazione, quindi se si modificano le configurazioni del dispositivo quando l'applicazione è aperta, sarà necessario lanciare nuovamente quest'ultima affinché le modifiche stesse abbiano effetto.

USO DI ENTRAMBE LE PORTE USB CONTEMPORANEAMENTE

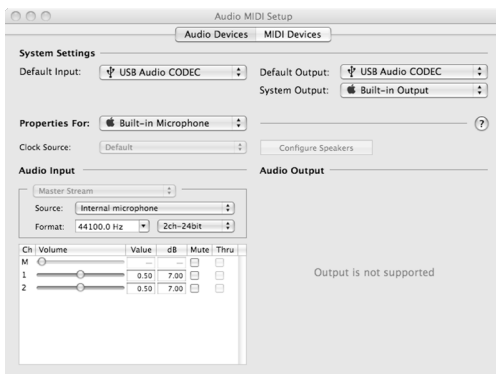
Poiché il C3USB è dotato di 2 porte USB, è possibile collegare un computer diverso a ciascun jack USB, oppure collegare entrambi i jack ad un singolo computer. Ciascun jack USB del mixer apparirà come un dispositivo audio USB distinto sul computer. È possibile riprodurre due file audio simultaneamente da uno stesso computer e inviare entrambi questi stream audio a canali distinti del mixer servendosi di due cavi USB.

Nel caso in cui si proceda in questo modo, suggeriamo di utilizzare uno dei tanti programmi software disponibili in commercio che supportano schede audio multiple.

Tuttavia, se non si possiede un software del genere, è possibile utilizzare invece due distinti media player software. Per fare ciò è necessario lanciare il primo media player, quindi cambiare la periferica audio preferita sulla seconda porta USB, quindi avviare il secondo media player.

Nota bene: alcune applicazioni (come Windows Media Player) non permettono di avere multiple istanze lanciate simultaneamente. Quando si cerca di aprire un secondo file, la riproduzione del primo verrà interrotta e il secondo file verrà caricato. Per ovviare a questo problema, si possono utilizzare diversi lettori per riprodurre il secondo file. Ad esempio, servirsi di Windows Media Player per riprodurre il canale 1, e il lettore Musicmatch Juke Box per riprodurre il canale 2.

Nota bene: va tenuto in considerazione il fatto che non tutti i media player "ricorderanno" quale scheda sonora stavano utilizzando quando sono stati lanciati.



RISOLUZIONE DI PROBLEMI

Problema: il computer non ha riconosciuto il mixer.

- Il mixer non è acceso. Accendere il mixer.
- Il cavo USB non è collegato. Collegare il cavo USB al computer e al mixer.
- Avete già installato una periferica audio USB in precedenza. In questo caso il mixer dovrebbe funzionare senza alcun processo di installazione. Basterà collegarlo. Tuttavia, potrebbe essere necessario modificare la periferica predefinita per la riproduzione suoni del vostro computer.
- Non possiede l'adeguata versione di Windows o Mac OS. Assicurarsi che il sistema operativo sia compatibile con questo mixer. (Ad esempio, Windows 95 non supporta l'USB, e non funzionerà con questo mixer).

Problema: la qualità di registrazione è scarsa.

- La lunghezza di parola e la gamma di campionamento non sono impostate su qualità CD nel vostro software di registrazione. Impostare la lunghezza di parola su 16 bit e la gamma di campionamento su 44.1kHz per risultati di qualità da CD.
- L'audio è distorto. Abbassare il guadagno (gain) sul mixer per ridurre il livello dell'audio.
- Il livello audio è troppo basso. Aumentare il livello fino a quando non appare attività a livello dei misuratori a LED.

Problema: sto cercando di riprodurre una canzone sul canale 2 e l'altra sul canale 3, ma queste vengono mischiate insieme in un solo canale.

- La periferica di riproduzione audio non è configurata correttamente per una delle vostre applicazioni audio. Chiudere una delle applicazioni di riproduzione, quindi modificare la periferica di riproduzione audio preferita come descritto in precedenza, quindi riaprire l'applicazione. Va notato che questa tecnica non funzionerà con tutti i media player (ad esempio Real Player).
- Servirsi di un programma audio specifico che supporta 2 schede audio.

Problema: il suono esce dalle casse del computer anziché essere convogliato al mixer.

- La periferica di riproduzione audio non era configurata adeguatamente. Chiudere una delle applicazioni di riproduzione, modificare la periferica di riproduzione audio preferita come descritto in precedenza, quindi riaprire l'applicazione.

Problema: i suoni di sistema del mio computer vengono convogliati al mixer.

- La periferica di riproduzione audio è ancora impostata sul mixer. Modificare la periferica di riproduzione audio preferita come descritto in precedenza.
- Silenziare tutti i suoni di sistema del computer procedendo come segue: nel Pannello di controllo, selezionare Suoni e periferiche audio; selezionare la linguetta "Suoni". Sotto "Combinazione", scegliere "Nessun suono" e cliccare su OK.
- Se avete un Mac, non avete selezionato "Riproduci allarmi ed effetti sonori tramite le casse interne". Visualizzare la sezione di configurazione del Mac per maggiori informazioni su come farlo.

SPECIFICHE TECNICHE

Ingressi	Linea:	Impedenza di ingresso 10Kohm Sensibilità 77mV rms per uscita da 1,22V
	Mic:	Impedenza di ingresso 600 ohm non bilanciata Sensibilità 1 mv rms per uscita da 1,22V Ingresso max 70mV rms
	Phono:	Impedenza di ingresso 47Kohm Sensibilità 1,2mV rms @ 1KHz per uscita da 1,22V

Uscite	Linea:	9V rms max
	Cuffie:	0,5W in 47 ohm
	Distorsione:	inferiore a 0,01%

Rapporto segnale rumore (uscita massima) JIS-A pesata	Linea:	Superiore a 98.dB
	Mic:	Superiore a 86dB
	Phono:	Superiore a 81dB

Risposta di frequenza	Linea:	20Hz-20KHz ±0,5dB
	Mic:	20Hz-15KHz ±0,5dB
	Phono:	±1dB eccetto l'attenuazione controllata di -3dB @ 20Hz per ridurre rombo e risposta

Equalizzatore di canale	Bass (bassi):	+12/-32dB @60Hz
	Medi:	+12/-32dB @1,2KHz
	Treble (acuti):	+10/-28dB @15KH

Equalizzatore mic DJ	Bass (bassi):	±10dB @100Hz
	Treble (acuti):	±10dB @15KH

Consumo	11 Watt tipico
	14,7 Watt con piena uscita cuffie

WILLKOMMEN!

Herzlich willkommen zum C3USB Professional 19" Mixer mit USB. Egal, ob Sie in traditioneller Art und Weise Audioquellen, wie Turntables und CD Player mixen oder mit digitalen Quellen, wie Laptops arbeiten, der C3USB bietet vielfältige analoge und digitale Eingangsoptionen, damit alle Ansprüche moderner DJs erfüllt werden können. Darüber hinaus besitzt der C3USB symmetrische Master XLR Ausgänge und Master / Zone / Record Chinch (RCA) Ausgänge, um den Mixer an eine Vielzahl von Lautsprechersystemen und Audio Recorder anschließen zu können. Das hochwertig verarbeitete 19" 4HE Rackgehäuse gewährleistet, dass sich der C3USB einfach in existierende mobile oder fest installierte DJ Setups integrieren lässt.

Wir hoffen, dass Ihnen der C3USB viele Jahre viel Spaß bereitet.

Mit freundlichen Grüßen,

Die Mitarbeiter von Numark

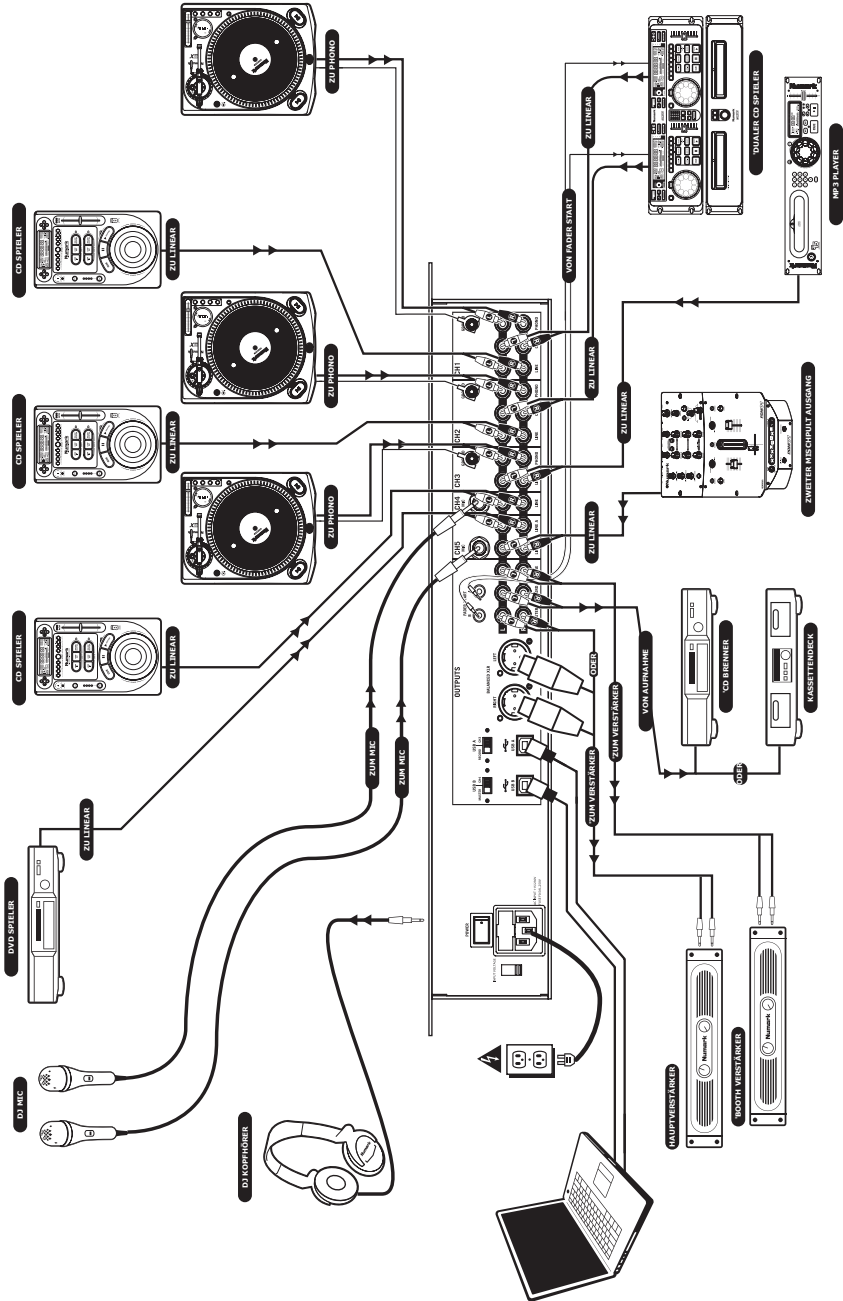
REGISTRIERUNG

Registrieren Sie Ihren C3USB bitte auf <http://www.numark.de>. Dadurch geben Sie uns die Möglichkeit, Ihnen Informationen bei Produktaktualisierungen zukommen zu lassen und Ihnen bei möglichen Problemen den bestmöglichen technischen Support zu bieten.

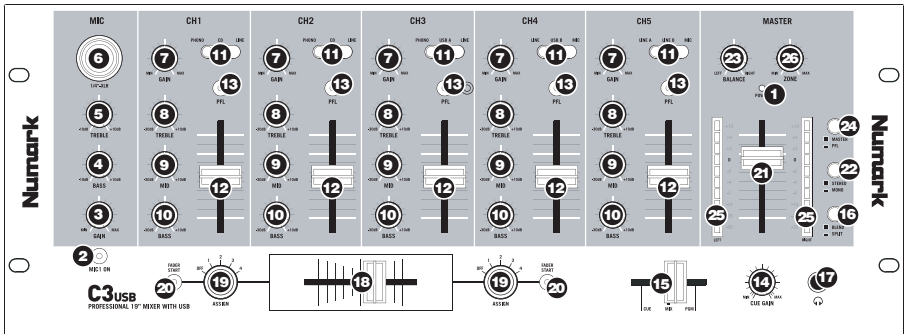
GRUNDREGELN

1. Überprüfen Sie, dass sich alle auf der Vorderseite der Anleitung abgebildeten Bestandteile im Karton befinden.
2. **LESEN SIE VOR DER VERWENDUNG DES PRODUKTS DIE SICHERHEITSHINWEISE.**
3. Sehen Sie sich die Anschlussübersicht in dieser Anleitung an.
4. Stellen Sie den Mixer in einer für den Betrieb geeigneten Position auf
5. Achten Sie darauf, dass alle Geräte ausgeschaltet sind und dass alle Fader und Gain Regler Ihres Mixers auf dem niedrigsten Wert stehen.
6. Verbinden Sie alle Stereo Eingangsquellen, wie in der Anschlussübersicht gezeigt, mit dem Mixer.
7. Schließen Sie die Stereo Ausgänge an Verstärker, Kassettendecks oder andere Audiogeräte an.
8. Schließen Sie alle Geräte an den Stromkreis an.
9. Schalten Sie die Geräte in der folgenden Reihenfolge ein:
 - Audio Eingangsquellen (z.B. Turntables, CD Player, usw.)
 - Mixer
 - Zuletzt Verstärker und Ausgangsgeräte
10. Schalten Sie Ihr System **IMMER** in genau der umgekehrten Reihenfolge aus, indem Sie:
 - Zuerst Verstärker
 - Dann den Mixer
 - Und am Schluss die Eingangsquellen ausschalten

ANSCHLUSSÜBERSICHT



ÜBERSICHT ÜBER DIE VORDERSEITE



- POWER LED** – Leuchtet, wenn der Mixer eingeschaltet ist.
- MIC ON/OFF** – Schaltet das Mikrofonsignal stumm oder aktiviert es. Falls stumm geschaltet (LED ist aus), wird das Mikrofonsignal nicht zum Master Mix geroutet.
- MIC GAIN** – Stellt die Lautstärke des Mikrofoneingangs ein.
- MIC BASS** – Stellt die Bassfrequenzen des Mikrofonsignals ein.
- MIC TREBLE** – Stellt die hohen Frequenzen des Mikrofonsignals ein.
- COMBO MIKROFONEINGANG** – Diese "Combobuchse" arbeitet mit Mikrofonen mit XLR oder 6,3 mm Klinkenanschluss.
- KANAL GAIN** – Stellt den jeweiligen Pre-Fader Audiopegel des Kanals ein.
- KANAL TREBLE** – Stellt die hohen Frequenzen des jeweiligen Kanals ein.
- KANAL MID** – Stellt die Mitten des jeweiligen Kanals ein.
- KANAL BASS** – Stellt die Bassfrequenzen des jeweiligen Kanals ein.
- EINGANGSWAHLSCHALTER** – Wählt die Eingangsquelle des jeweiligen Kanals aus.
 - Wählen Sie "Phono" zum Betrieb eines Turntables mit Phono-Pegel.
 - Wählen Sie "CD" zum Betrieb von Linepegel Geräten, wie CD Playern, Samplern, usw.
 - Wählen Sie "USB," falls Sie das USB Audiosignal eines Computers im Kanal verwenden möchten.
 - Wählen Sie "Mic," damit das Signal eines Mikrofons, welches an der Rückseite des Mixers angeschlossen wird, zum Kanal geroutet wird.
- KANAL FADER** – Bestimmt den Audiopegel, der zum Program Mix gesendet wird.
- CUE TASTE** – Führt das Signal des jeweiligen Kanals (Post-Gain, Post-EQ und Pre-Kanalfader) zum Vorhören in den Cue Kanal.
- KOPFHÖRERVOLUME** – Stellt die Lautstärke des Kopfhörerausgangs ein.
- KOPFHÖRERMIX** – Blendet im Kopfhörerkanal zwischen Cue und Program Signal über. Befindet sich der Fader ganz links, werden nur die Signale, die zum PFL geroutet sind, vorgehört. In der äußerst rechten Position des Faders hören Sie nur den Program Mix. Beachten Sie bitte, dass die Stellung dieses Faders sich nur dann auswirkt, wenn die SPLIT / BLEND Taste in der "Blend" Position steht.
- SPLIT / BLEND BUTTON** – Falls dieser Schalter gedrückt ist, wird das Kopfhörersignal geteilt, so dass alle Kanäle, die zum CUE Kanal senden, als Monosignal auf der linken Seite und das Mono Master Signal auf der rechten Seite gehört werden. Wenn der Schalter nicht gedrückt ist, werden die Cue und Program Signale miteinander gemischt.
- KOPFHÖRERBUCHSE** – Schließen Sie hier Ihren Kopfhörer mit 6,3 mm Klinkenstecker an, um Signale vorhören und Cue Funktionen verwenden zu können.

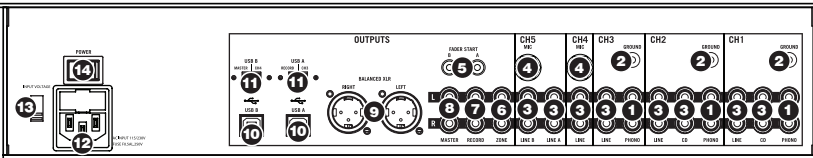
***Wichtig:** Die Lautstärke sollte beim Herstellen und Trennen der Kopfhörer Verbindung immer auf dem niedrigsten Stand eingestellt werden, damit die Kopfhörer und Ihr Gehör keinen Schaden nehmen.*
- AUSTAUSCHBARER CROSSFADER** – Blendet die Signale, die den Crossfader Seiten zugewiesen sind, über. (siehe ASSIGN Regler).

***Hinweis:** Sollte der Crossfader verschleifen, kann er durch den User ausgetauscht werden. Entfernen Sie dazu einfach die Abdeckung und die Schrauben, die den fader in Position halten. Ersetzen Sie den Fader mit einem Austauschfader, den Sie über den Numark Fachhändler beziehen können.*
- ASSIGN Regler** – Definiert, welcher Kanal zur jeweiligen Seite des Crossfader geroutet wird.

***Hinweis:** Lautstärken nicht ausgewählter Kanäle werden ausschließlich durch den jeweiligen Kanalfader eingestellt.*
- FADER START** – Falls aktiviert, sendet der Crossfader digitale Play und Cue Impulse zu kompatiblen Fader Start Geräten, die am Mixer angeschlossen sind. Um diese Funktion verwenden zu können verbinden Sie Fader Start Geräte mit einem 3,5 mm Klinkenkabel mit dem Fader Start Anschlüssen des Mixers. Wird der Crossfader zum aktiven Kanal bewegt, startet das angeschlossene Gerät. Wird der Fader vom aktiven Kanal wegbewegt, geht das angeschlossene Gerät in den Cue Modus oder stoppt (je nachdem, was für ein Gerät angeschlossen ist).

21. **MASTER FADER** – Steuert die Ausgangslautstärke des Program Mixes.
22. **STEREO / MONO** – Mixt das Program Stereo Mix Signal auf Mono. Diese Funktion ist dann sinnvoll, wenn der Mixer mit einem Mono Verstärker oder Mono Lautsprecher eingesetzt werden soll.
23. **PANNING:** Stellt das links-rechts Panorama des Program Mixes ein. Wird der Regler nach rechts gedreht wird das linke Signal abgeschwächt (und anders herum).
Hinweis: Diese Einstellung beeinflusst die Master, Record und Zone Ausgänge.
24. **METER ASSIGN** – Definiert, ob der PFL oder MASTER Audio Pegel in den Stereo LED Aussteuerungsanzeigen zu sehen ist.
25. **STEREO AUSSTEUERUNGSANZEIGEN** – Zeigt die Audiopegel an. Die Funktionalität wird durch die METER ASSIGN Taste festgelegt.
 - Bei der Verwendung als **MASTER Aussteuerung**, stellen Sie die Frequenzweiche, den Equalizer und den Verstärker so ein, dass bei jedem Gerät Übersteuerungen vermieden werden. Achten Sie auf die Anzeigen der Aussteuerung, um den besten Sound ohne Verzerrungen zu erzielen.
 - Bei der Verwendung zum Einpegeln von **Signalen (PFL)** wird das PFL Cue Signal zur Anzeige gesendet. Achten Sie darauf, dass die Signallautstärken nach Pre-Fader Gain und EQ Bearbeitungen gleich laut sind, bevor Sie diese mixen.
26. **ZONE** – Regelt die Lautstärke des Record / Zone Ausgangs.
 Tipp: Die Record / Zone Ausgänge können zum Anschluss von Linepegel Geräten oder zum Senden eines Linepegels an ein Lichtsteuergerät gesendet werden.

ÜBERBLICK ÜBER DIE RÜCKSEITE



1. **PHONO EINGÄNGE** – Schließen Sie hier Turntables mit Phono Pegel an. Da diese Eingänge über zusätzliche Verstärkung verfügen, schließen Sie hier nur Turntables mit Phono Pegel an; der Anschluss von Line Pegel Geräten an diese Eingänge könnte Ihr Equipment (und Ihr Gehör) beschädigen.
2. **GND** – Bei der Verwendung von Phono Pegel Turntables mit einem Massekabel müssen Sie dieses an diese Erdungspins anschließen. Sollten Sie ein tiefes Brummen oder andere Klangstörungen hören, sind Ihre Turntables möglicherweise nicht geerdet.
Hinweis: Bei einigen Turntables ist die Masseverbindung in die Chinch (RCA) Verbindung integriert – bei diesen Geräten benötigen Sie dann keine zusätzliche Masseverbindung.
3. **LINE EINGÄNGE** – Schließen Sie hier Ihre Line Pegel Geräte, wie CD Player, Tape Decks oder Sampler an.
4. **MIKROFON EINGÄNGE** – Schließen Sie Ihre Mikrofone mit 6,3 mm Klinkenanschluss an diese Eingänge an.
5. **FADER START BUCHSE** – Zur Verwendung der Fader Start Funktion, die das automatische Starten und Cueing externer Geräte über den C3USB Crossfader ermöglicht, verbinden Sie diese Buchsen mit Ihrem Fader Start kompatiblen Gerät. Verwenden Sie dazu ein normales 3,5 mm Klinkenkabel.
6. **RECORD AUSGANG (CHINCH - RCA)** – Schließen Sie an diesen Ausgang einen CD Brenner oder einen Audio Recorder an. Alternativ können Sie diesen Ausgang auch mit einem Lautsprechermonitorsystem zum Abhören des Mixes verbinden. Die Lautstärke dieses Ausgangs wird mit dem ZONE Regler auf der Mixer Vorderseite geregelt.
7. **ZONE AUSGANG (CHINCH - RCA)** – Verbinden Sie diesen Ausgang mit einem Abhörlautsprecher, einem PA System oder einer HiFi Anlage. Sie können diesen Ausgang auch mit einem CD Brenner oder einem Audio Recorder verbinden. Die Lautstärke dieses Ausgangs wird mit dem ZONE Regler auf der Mixer Vorderseite geregelt.
8. **MASTER AUSGANG (CHINCH - RCA)** – Verbinden Sie diesen Ausgang mit einem PA System, Aktivmonitoren oder einer HiFi Anlage. Die Lautstärke dieses Ausgangs wird mit dem MASTER Fader auf der Mixer Vorderseite geregelt.
9. **MASTER AUSGANG (XLR)** – Schließen Sie den symmetrischen XLR Ausgang an ein PA System oder an Aktivlautsprecher an. Die Lautstärke dieses Ausgangs wird mit dem MASTER Fader auf der Mixer Vorderseite geregelt.
10. **USB** – Diese USB Anschlüsse senden und empfangen Audiosignale zu/von einem angeschlossenen Computer. Die Funktionsweise jedes Ports (senden oder empfangen) richtet sich nach der Position des jeweiligen USB SELECT Schalters.

- 11. USB SELECT** – Diese Schalter bestimmen die Funktionsweise der USB Ports.

USB A:

RECORD – Sendet den Record Mix zum Computer, um ihn aufnehmen zu können.

CH3 – Sendet das vom Computer eingehende Audiosignal zum Kanal 3 des Mixers (Sie müssen dazu den Eingangswahlschalter des Kanals auf USB A stellen).

USB B:

MASTER – Sendet den Master Mix zum Computer, um ihn aufnehmen zu können.

CH4 – Sendet das vom Computer eingehende Audiosignal zum Kanal 4 des Mixers (Sie müssen dazu den Eingangswahlschalter des Kanals auf USB B stellen).

- 12. AC IN** – Schließen Sie hier das mitgelieferte Netzkabel an, während das Gerät ausgeschaltet ist.

- 13. SPANNUNGSWAHLSCHALTER** – Dieser 2-Positionen Schalter definiert die Eingangsspannung für den Mixer. In Europa und Großbritannien sollte der Schalter auf "220-240V" stehen. Zur Verwendung in den USA stellen Sie den Schalter in die "100-120V" Position.

- 14. NETZSCHALTER** – Mit diesem Schalter nehmen Sie den Mixer in Betrieb. Achten Sie beim Einschalten darauf, dass alle Eingangsgeräte angeschlossen sind, um Beschädigungen an Ihrem Equipment zu vermeiden. Schalten Sie den Mixer ein, bevor Sie den oder die Verstärker und Lautsprecher einschalten. Schalten Sie Ihre Lautsprecheranlage aus, bevor Sie den Mixer ausschalten.

USB BETRIEB

Der CM3USB ist mit zwei USB Ports ausgestattet, die es zum einen ermöglichen, Musik Ihres Computers im Mixer zu mixen und andererseits vom Mixer direkt in einem Software Programm auf dem Computer aufzunehmen. Das USB Interface Ihres Mixers funktioniert an Ihrem Computer genauso wie eine normale USB Soundkarte. Da das USB Interface dem Class-Compliant Protokoll folgt, müssen keine speziellen Treiber oder andere Software installiert werden – verbinden Sie den USB Port des Mixers mit einem USB Anschluss Ihres Computers einfach mit einem USB Kabel und schon kann es losgehen!

WINDOWS KONFIGURATION

- Schalten Sie Ihren Computer und den C3USB ein.
- Verwenden Sie ein USB Kabel, um einen oder beide USB Ports des C3USB mit Ihrem Computer zu verbinden.
- Windows erkennt Ihren Mixer sofort als "USB Audiogerät" oder "USB Audio CODEC" und installiert automatisch jede benötigte Systemkomponente.

Zum Ändern der System Audio Voreinstellungen in Windows, gehen Sie in die **Sounds und Audiogeräte** Einstellung der **Systemsteuerung**. Um Zugriff auf die Einstellungen der Audiogeräte zu erhalten, klicken Sie auf den **Audio** Tab.

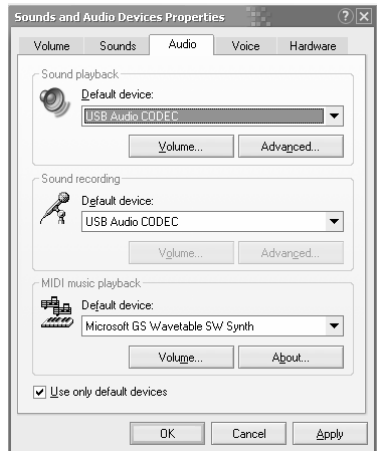
Beim ersten Anschluss des C3USB an den Computer wird der Mixer automatisch als Standardgerät für die Soundwiedergabe Ihres Computers definiert. Alle Sounds Ihres Computer werden zum Mixer Kanal (siehe **USB**) gesendet.

Hinweis: Falls Sie beide USB Ports mit Ihrem Computer verbunden haben werden die Ports in der Reihenfolge des Anschlusszeitpunkts nummeriert. Wenn Sie beispielsweise USB A vor USB B anschließen, erscheint USB A als "USB Audio CODEC" und USB B als "USB Audio CODEC (2)".

- Um Audiosignale vom Computer zum C3USB zu senden, wählen Sie "USB Audio CODEC" im **Soundwiedergabe** Feld aus. Dadurch wird Audio vom Computer zu einem oder einen der beiden Mixerkanäle (abhängig davon, welcher USB Port angeschlossen wurde) übertragen.
- Damit Audiosignale vom C3USB zu Ihrem Computer gesendet werden, stellen Sie "USB Audio CODEC" im **Soundaufnahme** Feld ein. Dadurch können Sie Ihren Mix im Computer aufnehmen.

Hinweis: Sollte Ihr Soundwiedergabe- oder Soundaufnahmeprogramm kein eigenes Einstellungsfenster für die Audioein- und -ausgänge besitzen (wie zum Beispiel Windows Sound Recorder, Windows Media Player oder Apple iTunes), werden die Einstellungen von Sounds und Audiogeräte verwendet. Bitte beachten Sie, dass diese Einstellungen bei Starten der Software geladen werden. Wenn Sie also die Gerätekonfiguration ändern, während das Programm läuft, müssen Sie die Software neu starten, damit ihre Änderungen übernommen werden.

Tipp: Damit Windows seine Systemsounds nicht über den C3USB abspielt, empfehlen wir dringend diese zu deaktivieren. Dazu gehen Sie in die **Systemsteuerung** -> **Sounds und Audiogeräte** und wählen unter dem **Sounds** Tab die **Keine Sounds** Option im Aufklappenmenü.



MAC KONFIGURATION

1. Schalten Sie Ihren Computer und den C3USB ein.
2. Verwenden Sie ein USB Kabel, um einen oder beide USB Ports des C3USB mit Ihrem Computer zu verbinden.
3. Mac OS X erkennt Ihren Mixer sofort als "USB Audiogerät" oder "USB Audio CODEC" und installiert automatisch jede benötigte Systemkomponente.

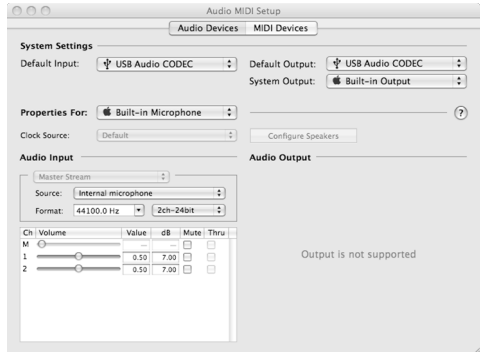
Zum Ändern der System Audio Einstellungen Ihres Macs, öffnen Sie das **Audio MIDI Setup** im Ordner **Programme ► Dienstprogramme**.

Hinweis: Falls Sie beide USB Ports mit Ihrem Computer verbunden haben werden die Ports in der Reihenfolge des Anschlusszeitpunkts nummeriert. Wenn Sie beispielsweise USB A vor USB B anschließen, erscheint USB A als "USB Audio CODEC" und USB B als "USB Audio CODEC (2)".

- Um Audio von Ihrem Computer zum C3USB zu senden, wählen Sie "USB Audio CODEC" im **Standard Output** Feld. Dadurch wird Audio vom Computer zu einem oder einen der beiden Mixerkanäle (abhängig davon, welcher USB Port angeschlossen wurde) übertragen.
- Zur Übertragung von Audiosignalen vom C3USB zum Computer wählen Sie "USB Audio CODEC" im **Standard Input** Feld aus. Auf diese Weise haben Sie die Möglichkeit, Ihrem Mix auf dem Computer aufzunehmen.

Tipp: Sie sollten das **System Output** Feld auf **Built-in Output** stellen. Dadurch werden die Mac OS X System Sounds nicht über den Mixer abgespielt.

Hinweis: Falls Ihre Soundwiedergabe- oder Aufnahmesoftware keine eigenen Audioein- und Ausgangseinstellungen besitzt (wie z.B. Apple iTunes), werden die Settings des Audio MIDI Setups verwendet. Bitte beachten Sie, dass diese Einstellungen bei Starten der Software geladen werden. Wenn Sie also die Gerätekonfiguration ändern, während das Programm läuft, müssen Sie die Software neu starten, damit ihre Änderungen übernommen werden



BEIDE USB PORTS GLEICHZEITIG VERWENDEN

Der C3USB besitzt zwei USB Ports. Sie können jeden Port mit einem anderen Computer verbinden, Sie haben jedoch auch die Möglichkeit, beide USB Ports an einen Computer anzuschließen. Jeder USB Port des Mixers erscheint als separates USB Audiogerät am Computer. Sie können gleichzeitig zwei Audiodateien von einem Computer abspielen und mit zwei USB Kabeln jedes Audiosignal an getrennte Mixerkanäle senden.

Falls Sie diese Option einsetzen wollen, empfehlen wir Ihnen eines der Programme, das mehrere Soundkarten unterstützt.

Falls Sie jedoch solch eine Software nicht besitzen, können Sie stattdessen zwei verschiedene Media Player Programme verwenden. Dazu starten Sie zunächst das erste Programm, ändern danach das Standardwiedergabegerät auf den zweiten USB Port und starten danach die zweite Software.

Hinweis: Einige Programme (wie der Windows Media Player) gestatten es nicht, mehrere Instanzen gleichzeitig geöffnet zu haben. Wenn Sie das Programm ein zweites Mal öffnen, stoppt die erste Instanz die Wiedergabe. Um dies zu umgehen, verwenden Sie verschiedene Softwareprogramme. Spielen Sie zum Beispiel im Windows Media Player das Signal für den ersten Kanal und mit Musicmatch Juke Box den zweiten Kanal ab.

Hinweis: Bitte beachten Sie, dass nicht alle Media Player Programme sich daran "erinnern," welche Soundkarte Sie beim Starten verwendet haben.

FEHLERHILFE

Problem: Der Computer erkennt meinen Mixer nicht.

- Der Mixer ist ausgeschaltet. Schalten Sie ihn ein.
- Das USB Kabel ist nicht angeschlossen. Verbinden Sie zwischen Mixer und Computer ein USB Kabel.
- Sie haben bereits ein USB Audiogerät installiert. In diesem Fall sollte Ihr Mixer ohne weitere Installation laufen. Schließen Sie ihn einfach an. Jedoch sollten Sie das Standard Audiowiedergabegerät einstellen.
- Sie haben eine verkehrte Version von Windows oder Mac OS. Achten Sie darauf, dass das Betriebssystem Ihres Computers mit dem Mixer kompatibel ist. (Beispielsweise unterstützt Windows 95 kein USB und funktioniert nicht mit diesem Mixer).

Problem: Die Aufnahmequalität ist schlecht.

- In Ihrer Aufnahmesoftware wurde die Wortbreite und Sample Rate nicht auf CD-Qualität eingestellt. Ändern Sie die Wortbreite auf 16-Bit und die Sample Rate auf 44.1kHz für Ergebnisse in CD-Qualität.
- Das Audiosignal verzerrt. Drehen Sie den Gain des Mixers zur Reduzierung der Lautstärke herunter.
- Der Audiopegel ist zu niedrig. Erhöhen Sie die Lautstärke, bis Sie Aktivitäten in den Aussteuerungsanzeigen sehen.

Problem: Ich versuche einen Song in Kanal 2 und einen anderen in Kanal 3 zu spielen, aber beide Kanäle werden in nur einem Kanal zusammen gemischt.

- Das Soundwiedergabegerät wurde für eines der Audioprogramme nicht richtig eingestellt. Schließen Sie eines der Wiedergabeprogramme, ändern Sie dann das Standardwiedergabegerät (wie vorher beschrieben) und starten Sie danach das Programm neu. Beachten Sie, dass dieses Vorgehensweise nicht für alle Media Player (zum Beispiel Real Player) angewandt werden kann.
- Verwenden Sie ein Audioprogramm, das 2 Soundkarten unterstützt.

Problem: Der Sound kommt aus meinen Computerlautsprechern anstatt aus dem Mixer.

- Das Wiedergabegerät wurde nicht richtig eingestellt. Schließen Sie Ihre Wiedergabesoftware, ändern Sie die Sundeinstellungen (wie vorher beschrieben) und starten Sie danach die Software neu.

Problem: Die Systemsounds des Computers werden zum Mixer übertragen.

- Als Wiedergabegerät ist immer noch Ihr Mixer definiert. Ändern Sie die Standardeinstellungen für die Wiedergabe.
- Deaktivieren Sie die Systemsounds Ihres Computers indem Sie wie folgt vorgehen: Wählen Sie Sounds und Audiogeräte in der Systemsteuerung und klicken Sie auf den Sounds Tab. Unter Soundschema wählen Sie die Option Keine Sounds und klicken dann auf OK.
- Falls Sie einen Mac besitzen haben Sie die Systemsound Ausgabe nicht den internen Lautsprechern zugewiesen. Lesen Sie für die weitere Vorgehensweise im Abschnitt Mac Konfiguration nach.

TECHNISCHE DATEN

Eingang	Line:	10kOhm Eingangsimpedanz 77mV RMS Empfindlichkeit für 1.22V Ausgang		
	Mic:	600 Ohm Eingangsimpedanz, unsymmetrisch 1mV RMS Empfindlichkeit für 1.22V Ausgang 70mV RMS Max. Input		
	Phono:	47Kohm Eingangsimpedanz 1.2mV RMS Empfindlichkeit @ 1KHz für 1.22V Ausgang		
Ausgang	Line:	9V RMS maximal		
	Headphone:	0.5W an 47 Ohm		
	Verzerrung:	weniger als 0.01%		
Rauschabstand (Maximal Ausgang) JIS-A gewichtet			Line:	Besser als 98dB
			Mic:	Besser als 86dB
			Phono:	Besser als 81dB
Frequenzgang	Line:	20Hz-20KHz ±0.5dB		
	Mic:	20Hz-15KHz ±0.5dB		
	Phono:	±1dB außer für kontrolliert Verstärkung von -3dB @ 20Hz zur Reduzierung von Rumpel und Rückkopplung		
Kanal EQ	Bass:	+12/-32dB @60Hz		
	Mitten:	+12/-32dB @1.2KHz		
	Höhen:	+10/-28dB @15KH		
DJ Mic EQ	Bass:	±10dB @100Hz		
	Höhen:	±10dB @15KH		
Stromaufnahme		11 Watt		
		14.7 Watt mit maximalem Kopfhörerausgang		

www.numark.com