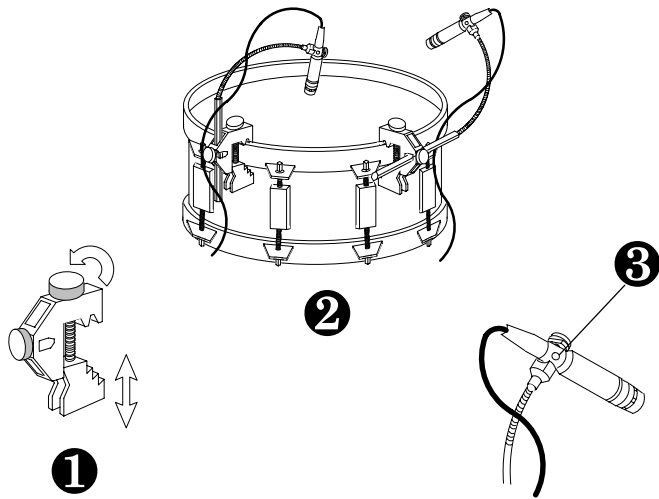


GENERAL

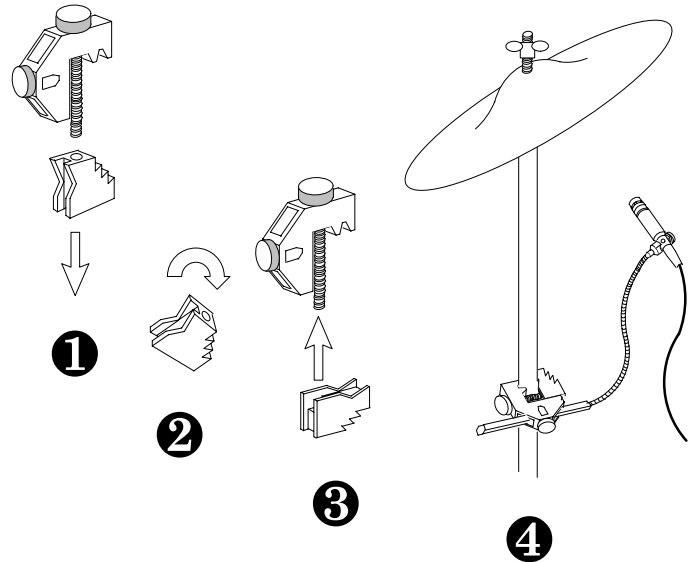
The Shure A98D mounts Shure BETA 98/S or SM98A microphones on a drum or cymbal. The gooseneck adapter can be inserted into the horizontal or vertical slots of the clamp for optimum flexibility in microphone placement.

The clamp fits drum rims measuring from 1/2-in. (12.7 mm) to 2 1/4-in. (57.2 mm) in height, or on cymbal stands measuring from 3/8-in. (9.5 mm) to 1 1/8-in. (28.6 mm) in diameter.

DRUM RIM MOUNTING



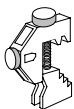
CYMBAL STAND MOUNTING



WARNING: Do NOT tighten the thumbscrew on the plastic section of the connector as this could cause damage.

NOTE: To minimize potential noise or damage, position the microphone outside the drummer's range of stick movement and cymbal movement.

REPLACEMENT PARTS



Clamp Assembly RPM618



Jaw 32A866



SHURE Incorporated Web Address: <http://www.shure.com>
 5800 W. Touhy Avenue, Niles, IL 60714-4608, U.S.A.
 Phone: 800-257-4873 Fax: 847-866-2279
 In Europe, Phone: 49-7131-72140 Fax: 49-7131-721414
 In Asia, Phone: 852-2893-4290 Fax: 852-2893-4055
 Elsewhere, Phone: 847-866-2200 Fax: 847-866-2585