

SAMSON[®]

Stage v466: Quad Vocal Wireless System



Owner's Manual

Copyright 2013, Samson Technologies Corp.

v2.2

Samson Technologies Corp.

45 Gilpin Avenue

Hauppauge, New York 11788-8816

Phone: 1-800-3-SAMSON (1-800-372-6766)

Fax: 631-784-2201

www.samsontech.com

Important Safety Information



ATTENTION RISQUE D'ÉLECTROCUTION ! NE PAS OUVRIR !

CAUTION: TO REDUCE THE RISK OF ELECTRIC SHOCK, DO NOT REMOVE COVER (OR BACK). NO USER-SERVICEABLE PARTS INSIDE. REFER SERVICING TO QUALIFIED SERVICE PERSONNEL.



This lightning flash with arrowhead symbol within an equilateral triangle is intended to alert the user to the presence of non-insulated "dangerous voltage" within the product's enclosure that may be of sufficient magnitude to constitute a risk of electric shock.



The exclamation point within an equilateral triangle is intended to alert the user to the presence of important operating and maintenance instructions in the literature accompanying the appliance.

WARNING

TO PREVENT FIRE OR SHOCK HAZARD. DO NOT USE THIS PLUG WITH AN EXTENSION CORD, RECEPTACLE OR OTHER OUTLET UNLESS THE BLADES CAN BE FULLY INSERTED TO PREVENT BLADE EXPOSURE. TO PREVENT FIRE OR SHOCK HAZARD. DO NOT EXPOSE THIS APPLIANCE TO RAIN OR MOISTURE. TO PREVENT ELECTRICAL SHOCK, MATCH WIDE BLADE PLUG TO WIDE SLOT AND FULLY INSERT.

THIS DEVICE COMPLIES WITH PART 15 OF THE FCC RULES CLASS B. OPERATION IS SUBJECT TO THE FOLLOWING TWO CONDITIONS: (1) THIS DEVICE MUST NOT CAUSE HARMFUL INTERFERENCE, AND (2) THIS DEVICE MUST ACCEPT ANY INTERFERENCE RECEIVED INCLUDING INTERFERENCE THAT MAY CAUSE UNDESIRE OPERATION. SUITABLE FOR HOME OR OFFICE USE.



This symbol on the product or on its packaging indicates that this product must not be disposed of with your other household waste. Instead, it is your responsibility to dispose of your waste equipment by handing it over to a designated collection point for the recycling of waste electrical and electronic equipment.

The separate collection and recycling of your waste equipment at the time of disposal will help to conserve natural resources and ensure that it is recycled in a manner that protects human health and the environment. For more information about where you can drop off your waste equipment for recycling, please contact your local city office, your household waste disposal service or the shop where you purchased the product.

Important Safety Information

1. Read these instructions.
2. Keep these instructions.
3. Heed all warnings.
4. Follow all instructions.
5. Do not use this apparatus near water.
6. Clean only with dry cloth.
7. Do not block any ventilation openings. Install in accordance with the manufacturer's instructions.
8. Do not install near any heat sources such as radiators, heat registers, stoves, or other apparatus (including amplifiers) that produce heat.
9. Do not defeat the safety purpose of the polarized or grounding type plug. A polarized plug has two blades with one wider than the other. A grounding type plug has two blades and a third grounding prong. The wide blade or the third prong are provided for your safety. If the provided plug does not fit into your outlet, consult an electrician for replacement of the obsolete outlet.
10. Protect the power cord from being walked on or pinched particularly at the plugs, convenience receptacles, and at the point where they exit from the apparatus.
11. Only use attachments/accessories specified by the manufacturer.
12. Use only with the cart, stand, tripod, bracket, or table specified by the manufacturer, or sold with the apparatus. When a cart is used, use caution when moving the cart/apparatus combination to avoid injury from tip-over.
13. Unplug the apparatus during lightning storms, or when unused for long periods of time.
14. Refer all servicing to qualified personnel. Service is required when the apparatus has been damaged in any way, such as power supply cord or plug is damaged, liquid has been spilled or objects have fallen into the apparatus has been exposed to rain or moisture, does not operate normally, or has been dropped.
15. This appliance shall not be exposed to dripping or splashing water and that no object filled with liquid such as vases shall be placed on the apparatus.
16. Caution-to prevent electrical shock, match wide blade plug wide slot fully insert.
17. Please keep a good ventilation environment around the entire unit.
18. The direct plug-in adapter is used as disconnect device, the disconnect device shall remain readily operable.
19. Batteries (battery pack or batteries installed) shall not be exposed to excessive heat such as sunshine, fire or the like.



Table of Contents

Introduction	6
SR466 Receiver Controls and Features	7
HT6 Transmitter Controls and Features	8
Quick Start Guide	9
Rack Mount Installation	11
Specifications	12
Troubleshooting	13

ENGLISH

FRANÇAIS

DEUTSCHE

ESPAÑOL

ITALIANO

Introduction

Congratulations on purchasing the Samson Stage v466 Quad Vocal Wireless System! The Stage v466 system is the perfect solution for any application requiring four people to perform together. The system features the SR466 quad channel receiver with individual and mixed outputs. Also included are four HT6 handheld microphone transmitters.

With the Stage v466 system, you'll have great sound quality with clear reception, and the ability to walk freely around your venue. For any live sound application including karaoke, school performances, conferences, and houses of worship, the Stage v466 is the ideal tool for your quad-channel wireless microphone needs. The Stage v466 always provides outstanding performance and reliability.

Although this product is designed for intuitive operation, we suggest you take some time to go through these pages to learn how we've implemented a number of unique features, and to get step-by-step instructions for setting up your system. If your Stage v466 was purchased in the United States, you'll also find a warranty card enclosed—please don't forget to fill it out and mail it in so that you can receive online technical support, and so that we can send you updated information about this and other Samson products. Also, be sure to check out our website (www.samsontech.com) for complete information about our full product line.

We recommend that you record your serial number in the space provided below, for future reference.

Serial number: _____

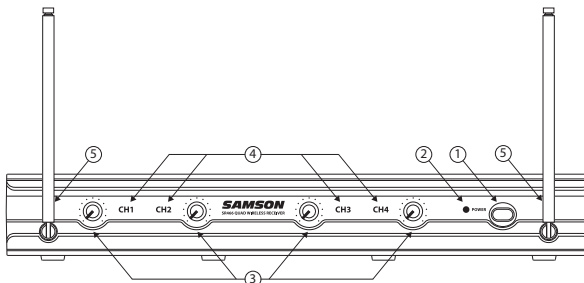
Date of purchase: _____

Should your unit ever require servicing, a Return Authorization (RA) number must be obtained before shipping your unit to Samson. Without this number, the unit will not be accepted. Please call Samson at 1-800-3SAMSON (1-800-372-6766) for an RA number prior to shipping your unit. Please retain the original packing materials and, if possible, return the unit in the original carton. If you purchased your Samson product outside the United States, please contact your local distributor for warranty information and service.

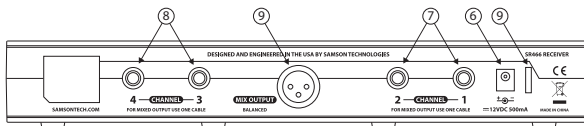
Features

- Professional, quad-handheld wireless system.
- Easy setup and operation.
- Crystal-controlled, Superheterodyne circuitry for clear and reliable reception.
- Individual level controls for each receiver channel.
- Four ¼" audio outputs for individual or mixed channel pairs
- XLR mixed output for all four channels.
- Outstanding, 250' of line-of-sight operating range.
- Four HT6 handheld transmitters with up to nine hours of battery life.

SR466 Receiver Controls and Features



1. **Power Switch** - Press to turn the receiver on or off.
2. **Power Indicator** - Lights red when the receiver is powered on.
3. **Volume Controls (Channels 1-4)** - Rotate to adjust the individual audio output level from each channel's receiver.
4. **RF Indicators (Channels 1-4)** - Lights green when the corresponding HT6 microphone transmitter is powered on, and there is a wireless signal present and detected by the receiver.
5. **Antenna** - The antenna mountings allow full rotation for optimum placement. In normal operation, both antennas should be placed in a vertical position. The antennas can be folded inward for convenience when transporting the SR466.

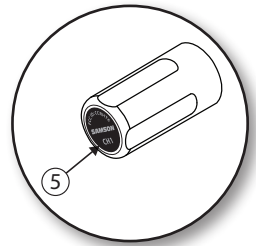
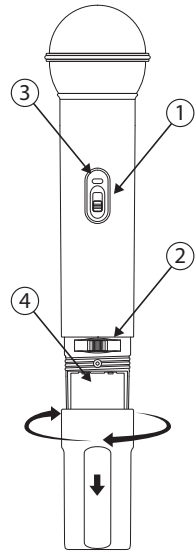


6. **DC Input** - Connect the supplied 12-volt, 500 mA power adapter here.
WARNING: The substitution of any other kind of power adapter can cause severe damage to the SR466 and will void your warranty.
7. **Channels 1 & 2 Outputs** - Use these unbalanced 1/4" jacks to connect the SR466 Channel 1 and Channel 2 receivers to the line level input of a mixer, amplifier, or other audio equipment. For individual outputs, plug into both jacks, for a mixed signal of both Channel 1 and Channel 2 receivers, only plug into one of the outputs.
8. **Channels 3 & 4 Outputs** - Use these unbalanced 1/4" jacks to connect the SR466 Channel 3 and Channel 4 receivers to the line level input of a mixer, amplifier, or other audio equipment. For individual outputs, plug into both jacks, for a mixed signal of both Channel 3 and Channel 4 receivers, only plug into one of the outputs.
9. **Mixed Output** - This balanced XLR jack is the mixed output of all four receivers to connect to a line level input of a mixer, amplifier, or other audio equipment. This output can be used when no additional individual mixing or EQ is necessary per channel.
10. **Adaptor Strain Relief** - Loop the included adaptor's cord through the strain relief to prevent the plug from accidentally detaching from the receiver.



HT6 Transmitter Controls and Features

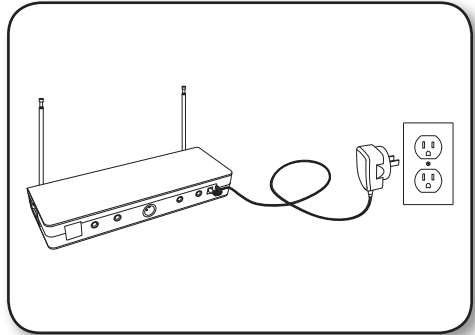
- 1. Audio ON/OFF Switch** - When set to the ON position, audio signal is transmitted. When set to the OFF position, the audio signal is muted. Note that moving this switch to the OFF position does not turn off the transmitter power - it is simply a way to temporarily mute the transmission of audio signal. When not in use for extended periods, the transmitter power should be turned off by using the power ON/OFF switch (see #2 below).
- 2. Power ON/OFF Switch** - Use this switch to turn the HT6 on or off (to conserve battery power, be sure to leave it off when not in use). Be sure to mute the audio signal at your external mixer or amplifier before turning transmitter power on or off, or an audible pop may result.
- 3. Power Indicator** - LED lights green when the transmitter is powered on.
- 4. Battery Compartment** - Insert a standard 9-volt alkaline battery here. Be sure to observe the plus and minus polarity markings when installing the battery. We recommend the Duracell MN 1604 type battery for use with this device. Although rechargeable Ni-Cad batteries can be used, they do not supply adequate current for more than four hours.
WARNING: Do not insert the battery backwards; doing so can cause severe damage to the HT6 and will void your warranty.
- 5. Channel Marking** - Printed number corresponding to the appropriate channel on the SR466 receiver.



Quick Start Guide

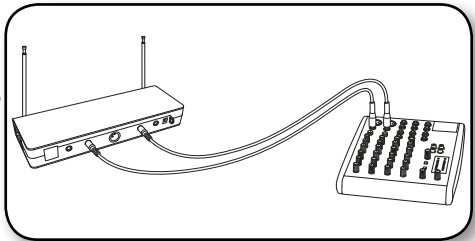
Follow these basic procedures for setting up and using your Stage v466 Series Wireless System.

1. Connect the SR466 receiver power adaptor to the rear panel DC input, and then to an electrical outlet.

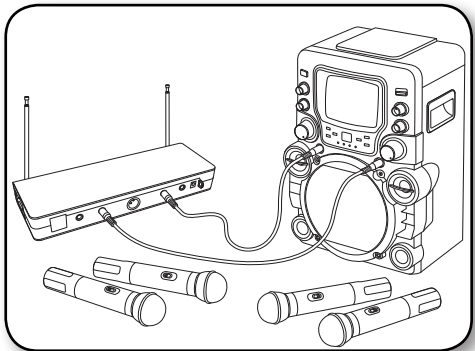


2. Connect the receiver's appropriate 1/4" outputs to the input of a mixer, stereo, karaoke machine, or any other line level input (see below). If there is a limited number of input channels, connect the XLR output to the XLR input of a mixer for a combined, mixed, output of all four receivers.

Use the two included 1/4" to 1/4" cables to connect the SR466 receiver to a mixer. Each output will send a mixed signal of a pair of receivers, Channel 1 & 2 and Channel 3 & 4. For individual control of each receiver, connect four 1/4" to 1/4" cables from the SR466 receiver to four input channels on a mixer.

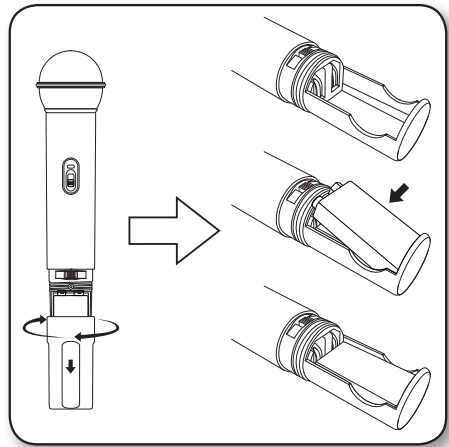


Use the included 1/4" to 1/4" cables to connect the SR466 receiver to karaoke machine.

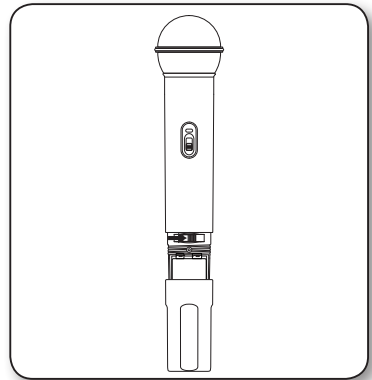


Quick Start Guide

3. While holding the upper section of the HT6 transmitter, rotate the bottom section and slide down to expose the battery compartment. Insert a standard 9-volt alkaline battery, being sure to follow the plus and minus polarity markings.



4. Turn on the HT6 transmitter by sliding the POWER switch to the right, and replace the bottom section.

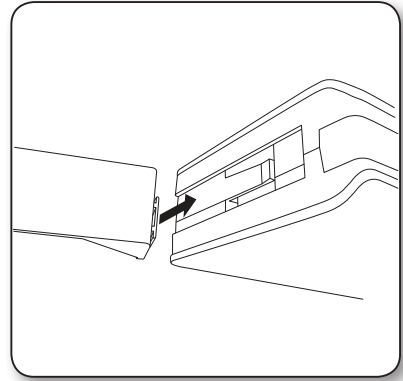


5. Place the SR466 receiver where it will be used (the general rule of thumb is to maintain "line of sight" between the receiver and transmitters so that the person(s) using the transmitter can see the receiver). Turn on the power of the SR466 receiver.
6. Turn on the connected amplifier and/or mixer, but keep its volume all the way down. Next, make sure that your transmitter is un-muted by setting its Audio switch to the ON (up) position. Then, set the Volume Control knob on the SR466 fully clockwise; this is unity gain. Speak or sing into the mic at a normal performance level while slowly raising the volume of your amplifier/mixer until the desired level is reached.

Rack Mount Installation

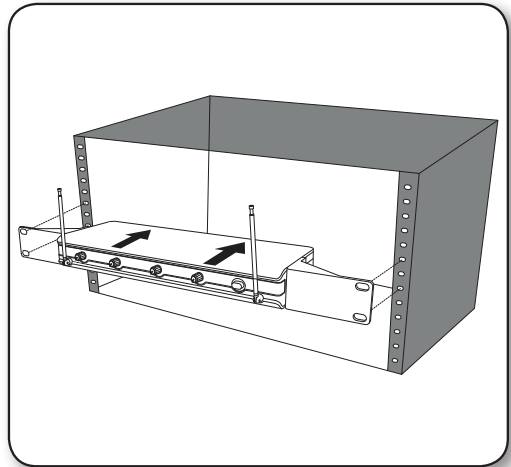
The SR466 receiver can be installed into a standard 19" for transport or permanent installation using the included rack ears. Follow the simple steps below to rack mount the SR466:

Attached the included RK466 rack ears, by sliding each rack ear into the groove on either side of the SR466 until the rack ear locks into place, and is flush with the front panel.



Position the SR466 receiver into an available rack space and slide in until the rack ears are touching the rails of the rack case and are aligned with the rack rail holes.

Mount the receiver into the rack, using the appropriate size rack screws (not included). To ensure equal tension and balance when installing the receiver, you should secure screws in a crisscross pattern of opposite corners: top left -> bottom right -> top right -> bottom left.



Specifications

OVERALL SYSTEM SPECIFICATIONS

Operating Frequency	VHF 173.80 MHz to 213.20 MHz
Number of Channels	Fixed channel
Frequency Stability	±0.005%
Modulation Mode	FM
Maximum Deviation	±15 kHz
Operating Range	250' (line of sight)
Operating Temperature Range	40° F (4° C) to 104° F (40° C)
Frequency Response	80 Hz to 15 kHz

SR466 RECEIVER SPECIFICATIONS

Image Rejection	30 dB
Dynamic range	95.5 dB
Maximum Output	900mV
Sensitivity	10 dBμV for 48 dB S/N
Output Connectors	Four - 1/4" TS ("mono") phone jack; Balanced XLR
Audio Output Levels	-10dB unbalanced (1/4" phone connector); +4dBu balanced (XLR connector)
Power Supply	100-240V AC (50/60 Hz) to 12V DC 0.5A
Dimensions	12.2" x 4.3" x 1.75" 309 mm x 111 mm x 44 mm
Net Weight	1 lb 0.6 kg

HT6 HANDHELD TRANSMITTER SPECIFICATIONS

RF Power Output	10 mW
Microphone Element	H6 Dynamic unidirectional
Typical Battery Life (9-volt alkaline battery)	9-hours
Current Consumption	30 mA typical
Dimensions	Ø2.1" x 9.3" Ø52.6 mm x 235.5 mm
Net Weight	0.4 lbs 0.18 kg

Troubleshooting

Issue	Solutions
No Audio	Turn on the HT6 transmitter using the Power ON/OFF switch.
	Ensure the HT6 transmitter's batteries are installed correctly.
	Check that the HT6 Audio ON/OFF switch is in the ON position.
	Confirm that the SR466 adaptor is correctly connected and plugged into an electrical outlet.
	Turn on the SR466 receiver.
	Make sure the SR466 output and audio input connections are securely connected.
	Ensure that the SR466 receiver and HT6 transmitters are in line of sight with one another.
	Check the receiver and audio input device level controls.
Distorted Audio	Check the receiver output level and audio input device level.
	Check the HT6's batteries and replace if low.
	Another transmitter may be broadcasting on the same channel. Turn off transmitter that may be causing interference.
Audio Dropout	The transmitter may be too far away from the receiver. Move closer to the receiver, or reposition the antennas.
	Remove or avoid sources that may cause RF interference, such as cell phones, cordless phones, lighting equipment, computers, metal structures, etc.
Transmitters and Receiver on Different Channels	Contact your Samson reseller or distributor for assistance.

FCC Rules and Regulations

Samson wireless receivers are certified under FCC Rules part 15 and transmitters are certified under FCC Rules part 74. Licensing of Samson equipment is the user's responsibility and licensability depends on the user's classification, application and frequency selected.

NOTE: This equipment has been tested and found to comply with the limits for a Class B digital device, pursuant to Part 15 of the FCC Rules. These limits are designed to provide reasonable protection against harmful interference in a residential installation. This equipment generates, uses and can radiate radio frequency energy and, if not installed and used in accordance with the instructions, may cause harmful interference to radio communications. However, there is no guarantee that interference will not occur in a particular installation. If this equipment does cause harmful interference to radio or television reception, which can be determined by turning the equipment off and on, the user is encouraged to try to correct the interference by one or more of the following measures:

- Reorient or relocate the receiving antenna.
- Increase the separation between the equipment and receiver.
- Connect the equipment into an outlet on a circuit different from that to which the receiver is connected.
- Consult the dealer or an experienced Radio/TV technician for help.

WARNING: Changes or modifications not expressly approved by the party responsible for compliance could void the user's authority to operate the equipment.

**This device complies with RSS-210 of
Industry & Science Canada.**

**Operation is subject to the following two conditions:
(1) this device may not cause harmful interference and (2)
this device must accept any interference received, including
interference that may cause
undesired operation.**

Consignes de sécurité importantes



**ATTENTION
RISQUE D'ÉLECTROCUTION !
NE PAS OUVRIR !**

ATTENTION : POUR ÉVITER TOUT RISQUE D'ÉLECTROCUTION,
NE RETIREZ PAS LES VIS. TOUTE RÉPARATION DOIT ÊTRE
CONFIÉE À UN PERSONNEL QUALIFIÉ.



Le symbole de l'éclair prévient l'utilisateur de la présence de tensions "dangereuses" et non isolées dans l'appareil, d'une amplitude suffisante pour présenter un risque d'électrocution.



Le symbole du point d'exclamation prévient l'utilisateur de la présence d'instructions importantes sur le fonctionnement et la maintenance de ce produit dans le mode d'emploi fourni.

THIS DEVICE COMPLIES WITH PART 15 OF THE FCC RULES CLASS B. OPERATION IS SUBJECT TO THE FOLLOWING TWO CONDITIONS: (1) THIS DEVICE MUST NOT CAUSE HARMFUL INTERFERENCE, AND (2) THIS DEVICE MUST ACCEPT ANY INTERFERENCE RECEIVED INCLUDING INTERFERENCE THAT MAY CAUSE UNDESIRED OPERATION. SUITABLE FOR HOME OR OFFICE USE.



Ce produit ne doit pas être jeté avec les ordures ménagères. Il existe un service de collecte séparé pour les produits électroniques usés. Ce service respecte les législations sur le traitement approprié, la récupération et le recyclage.

Les consommateurs des 27 pays membres de l'Union européenne, de la Suisse et de la Norvège peuvent se départir gratuitement de leurs produits électroniques usagés dans des points de collecte désignés, ou auprès d'un revendeur (lorsqu'un nouveau produit est acheté).

Pour les autres pays, veuillez contacter votre administration locale pour connaître la méthode de mise au rebut appropriée.

En procédant ainsi, vous êtes assuré que votre produit sera correctement traité, récupéré et recyclé afin de prévenir les effets négatifs possibles sur l'environnement et la santé.

Important Safety Information

1. Veuillez lire toutes les instructions.
2. Conservez ces instructions.
3. Respectez les mises en garde.
4. Suivez les instructions.
5. N'utilisez pas cet appareil près d'une source liquide.
6. Nettoyez avec un tissu sec.
7. Veillez à ne pas obstruer les fentes de ventilation. Installez l'appareil selon les instructions du fabricant.
8. N'installez pas près d'une source de chaleur (radiateurs, etc.), ou de tout équipement générant de la chaleur (amplificateurs de puissance, etc.).
9. Ne retirez pas la terre du cordon secteur ou de la prise murale. Les fiches canadiennes avec polarisation (avec une lame plus large) ne doivent pas être modifiées. Si votre prise murale ne correspond pas au modèle fourni, consultez votre électricien.
10. Protégez le cordon secteur contre tous les dommages possibles (pincement, tension, torsion, etc.). Veillez à ce que le cordon secteur soit libre, en particulier à sa sortie du boîtier.
11. Utilisez uniquement les fixations et accessoires spécifiés par le fabricant.
12. Utilisez uniquement le support, le pied, ou la table spécifiés par le fabricant, ou vendus avec l'appareil. Lorsque vous utilisez un chariot, procédez avec vigilance lorsque vous vous déplacez pour éviter toute blessure aux personnes et tout dommage aux équipements.
13. Déconnectez l'appareil du secteur en présence d'orage ou lors de périodes de non-utilisation prolongées
14. Consultez un service de réparation qualifié pour tout dysfonctionnement (dommage sur le cordon secteur, baisse de performances, exposition à la pluie, projection liquide dans l'appareil, introduction d'un objet dans le boîtier, etc.).
15. N'exposez pas cet appareil aux projections liquides. Veillez à ne placer aucun objet contenant un liquide (vase, verre, etc.) sur l'appareil.
16. Vérifiez que la broche de terre soit présente sur la fiche secteur .
17. Vérifiez la bonne ventilation autour de l'appareil.
18. La fiche secteur permet la déconnexion instantanée de l'appareil. Veillez à ce que cette fiche soit facilement atteignable.
19. N'exposez pas les piles ou accumulateurs à une chaleur excessive (exposition directe au soleil, feu, etc.).



Table des Matières

Introduction.	18
Récepteur SR466 — Fonctions et réglages	19
Émetteur HT6 — Fonctions et réglages	20
Prise en mains rapide.	21
Installation encastrable.	23
Caractéristiques techniques.	24
Diagnostic des pannes	25

ENGLISH

FRANÇAIS

DEUTSCHE

ESPAÑOL

ITALIANO

Introduction

Félicitations pour avoir acheté le Système à Quatre Microphones Sans Fil Samson Stage v466 ! Le système Stage v466 est la solution parfaitement adaptée à tout cas de figure où quatre personnes se produisent en même temps. Le système présente le récepteur SR466 à quatre sorties individuelles et mixées. Il comprend également quatre émetteurs de microphone sans fil HT6.

Sur le système Stage v466, vous bénéficierez d'une qualité acoustique exceptionnelle à réception claire en ayant la possibilité de déambuler librement chez vous. Pour toute application de son en public, parmi lesquelles on peut citer le karaoké, les spectacles d'école, les congrès et maisons de culte, le Stage v466 est l'outil idéal pour répondre à vos besoins à quatre microphones sans fil simultanés. Le Stage v466 vous garantit en permanence des performances et une fiabilité exceptionnelles.

Bien que ce produit soit conçu pour être utilisé de façon intuitive, nous vous invitons à prendre le temps de parcourir ces quelques pages pour découvrir comment nous avons déployé un certain nombre de fonctionnalités exclusives et pour savoir utiliser un certain nombre de fonctions de configuration du système. Si vous avez acheté votre Stage v466 aux Etats-Unis, vous trouverez également ci-joint une fiche de garantie. N'oubliez pas de la remplir et de nous l'adresser par courrier pour bénéficier d'une assistance technique en ligne, mais aussi pour nous permettre de vous envoyer des informations actualisées concernant ce produit et les autres produits Samson. En outre, consultez notre site web (www.samsontech.com) pour tous renseignements sur toute notre gamme.

Nous vous conseillons de noter le numéro de série de votre appareil dans l'espace prévu ci-dessous pour ne pas l'oublier.

N° de série: _____

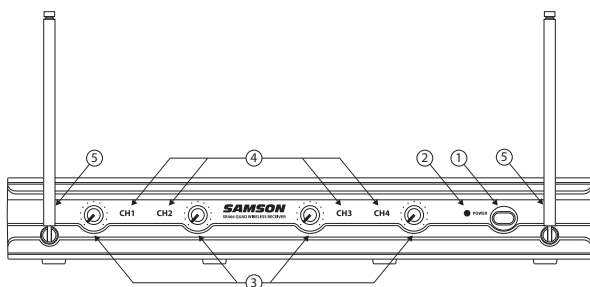
Date d'achat: _____

Si votre appareil nécessite l'intervention du S.A.V., un numéro d'Autorisation de Renvoi (RA) doit impérativement être obtenu avant de retourner votre appareil chez Samson. Sans ce numéro, l'appareil ne sera pas accepté. N'hésitez pas à téléphoner à Samson au 1-800-3SAMSON (1-800-372-6766) pour demander un numéro RA avant d'expédier votre appareil. Veuillez conserver l'emballage d'origine pour, autant que possible, renvoyer l'appareil dans son carton d'origine. Si vous avez acheté votre produit Samson en-dehors des Etats-Unis, n'hésitez pas à contacter votre distributeur le plus proche pour tous renseignements sur la garantie et le S.A.V.

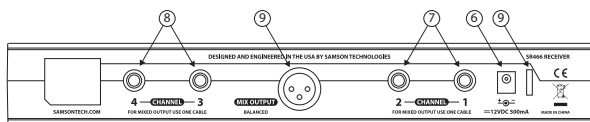
Caractéristiques techniques

- Système portable sans fil professionnel à quatre micros.
- Configuration et utilisation faciles.
- Circuits superhétérodynes commandés par quartz pour une réception limpide et fiable.
- Réglages de niveau individuels pour chaque voie du récepteur.
- Quatre sorties audio de ¼" pour paires de voies individuelles ou mixées
- Sortie mixée XLR pour l'ensemble des quatre voies.
- Portée de service exceptionnelle de 250 pieds (75 m) en visibilité directe.
- Quatre émetteurs HT6 portatifs dont la batterie présente une autonomie allant jusqu'à neuf heures.

Récepteur SR466 — Fonctions et réglages



- 1. Marche/Arrêt** – Appuyer pour mettre le récepteur en marche ou à l'arrêt.
- 2. Témoin de Marche** – S'allume en rouge lorsque le récepteur est sous tension.
- 3. Réglages du volume (Voies 1 à 4)** – Tourner pour régler le niveau de sortie son individuel émis par le récepteur de chaque voie.
- 4. Témoins RF (Voies 1 à 4)** – s'allume en vert à la mise sous tension de l'émetteur de microphone HT6 correspondant lorsqu'il y a un signal sans fil détecté par le récepteur.
- 5. Antenne** – Les supports d'antennes permettent une rotation à 360° pour régler à la meilleure orientation. En fonctionnement normal, deux antennes devront être disposées à la verticale. Par souci pratique, les antennes peuvent être repliées vers l'intérieur au moment de transporter le SR466.

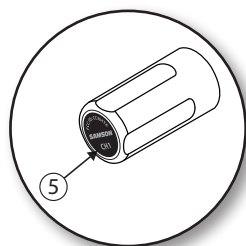
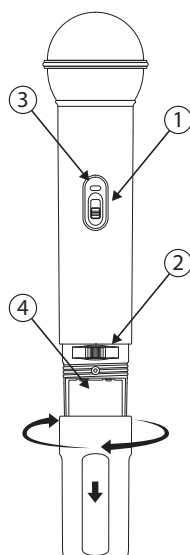


- 6. Entrée en courant continu** – Brancher l'adaptateur secteur 12 Volts et 500 mA ici. **AVERTISSEMENT :** Le remplacement de ce modèle par tout autre type d'adaptateur secteur peut occasionner des dégâts graves au SR466, entraînant l'annulation de la garantie.
- 7. Sorties vers voies 1 et 2** – Servez-vous de ces jacks ¼" déséquilibrés pour relier les récepteurs SR466 Voie 1 et Voie 2 à l'entrée au niveau de la ligne d'un mixeur, d'un amplificateur ou autres équipements audio. Pour les sorties individuelles, se brancher dans les deux jacks, pour un signal mixé des deux récepteurs (Voie 1 et Voie 2), ne se brancher que sur une des sorties.
- 8. Sorties vers voies 3 et 4** – Servez-vous de ces jacks ¼" déséquilibrés pour relier les récepteurs SR466 Voie 3 et Voie 4 à l'entrée au niveau de la ligne d'un mixeur, d'un amplificateur ou autres équipements audio. Pour les sorties individuelles, se brancher dans les deux jacks, pour un signal mixé des deux récepteurs (Voie 3 et Voie 4), ne se brancher que sur une des sorties.
- 9. Sortie mixée** – Ce jack XLR équilibré correspond à la sortie mixée de l'ensemble des quatre récepteurs pour se raccorder à une entrée de niveau de ligne d'un mixeur, d'un amplificateur ou autres équipements audio. Cette sortie peut être utilisée lorsqu'aucun mixage individuel supplémentaire ou EQ n'est nécessaire par voie.
- 10. Adaptateur réducteur de tension** – Passer en boucle le câble d'adaptateur limiteur de tension pour empêcher la fiche mâle de se décrocher accidentellement du récepteur.



Émetteur HT6 — Fonctions et réglages

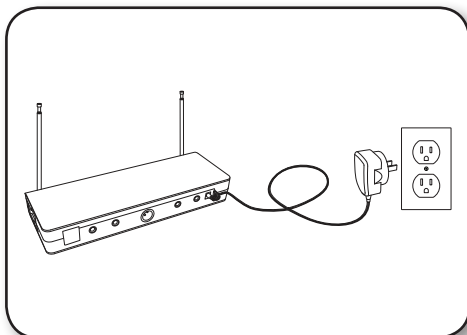
- 1. Bouton MARCHÉ/ARRET du signal audio** – Lorsqu'il est positionné sur ON, le signal audio est émis. Positionné sur OFF, le signal audio est coupé. À noter que le fait de déplacer ce bouton sur ARRÊT ne coupe pas l'alimentation de l'émetteur ; il s'agit simplement d'un moyen de couper la transmission du signal audio. Lorsqu'on ne l'utilise pas pendant des périodes prolongées, l'alimentation de l'émetteur devra être coupée à l'aide de l'interrupteur MARCHÉ/ARRÊT (voir § 2 ci-dessous).
- 2. Interrupteur MARCHÉ/ARRÊT** – Au moyen de cet interrupteur, mettre le HT6 en marche ou à l'arrêt (pour conserver la puissance de la batterie, bien laisser l'appareil sur Arrêt en cas de non-utilisation). Vérifier qu'on a bien coupé le signal audio sur la table de mixage ou l'amplificateur externe avant d'allumer ou de couper l'alimentation de l'émetteur : sinon, un bruit de claquement risque de se déclencher.
- 3. Témoin d'alimentation** – Le témoin LED s'allume en vert à la mise en marche de l'émetteur.
- 4. Logement à pile** - Insérer ici une pile alcaline standard de 9 V. Bien respecter les repères de polarité (plus et moins) à la mise en place de la pile. Sur cet appareil, nous vous conseillons la pile Duracell MN 1604. Bien qu'on puisse employer des batteries Ni-Cad rech 1 largeables, elles ne fourniront pas un courant suffisant pendant plus de quatre heures.
AVERTISSEMENT : Ne pas insérer la pile par l'arrière ; cela risque de provoquer une grave détérioration du HT6 et entraînera l'annulation de la garantie.
- 5. Repère de canal** – Chiffre imprimé correspondant au canal inscrit sur le récepteur du SR466.



Prise en mains rapide

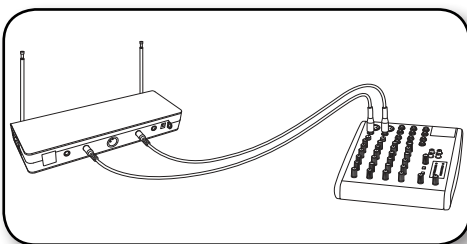
Suivez ces règles élémentaires pour configurer et utiliser votre Système sans fil de la série Stage v466.

1. Brancher l'adaptateur d'alimentation du récepteur SR466 sur l'entrée c.c. du panneau arrière, puis sur une prise de secteur.

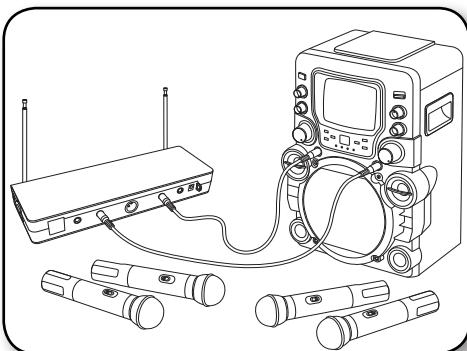


2. Relier les sorties ¼" du récepteur sur l'entrée d'une table de mixage, d'une chaîne stéréo, d'un système karaoké ou sur toute autre entrée de haut niveau (voir ci-dessous). Si le nombre de voies d'entrée est limité, relier la sortie XLR à l'entrée XLR d'une table de mixage pour obtenir une sortie composée réunissant les quatre récepteurs.

Utiliser les deux câbles de ¼" à ¼" ci-joints pour relier le récepteur SR466 à une table de mixage. Chaque sortie émettra un signal combiné d'une paire de récepteurs, Voies 1 & 2 et Voies 3 & 4. Pour commander isolément chaque récepteur, passer quatre câbles ¼" à ¼" entre le récepteur SR466 et les quatre voies d'entrée d'une table de mixage.



Utiliser les deux câbles de ¼" à ¼" ci-joints pour relier le récepteur SR466 à un système karaoké.



ENGLISH

FRANÇAIS

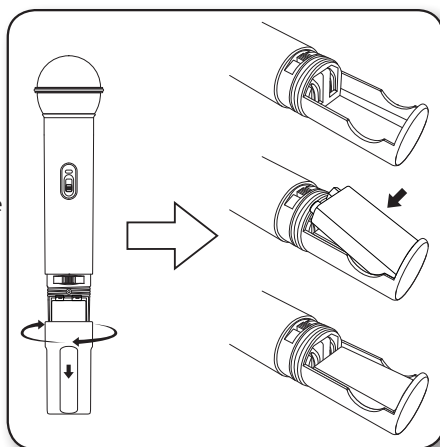
DEUTSCHE

ESPAÑOL

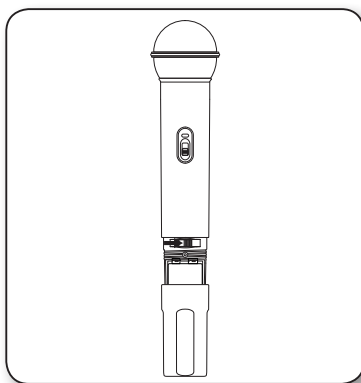
ITALIANO

Prise en mains rapide

3. En retenant la partie supérieure de l'émetteur HT6, faire pivoter la partie inférieure, puis la faire coulisser vers le bas pour découvrir le logement à pile. Introduire une pile alcaline standard de 9 Volts en respectant bien les repères de polarité plus et moins



4. Allumer l'émetteur du HT6 en faisant coulisser le bouton POWER (MARCHE/ARRET) vers la droite, puis remettre en place la partie inférieure.

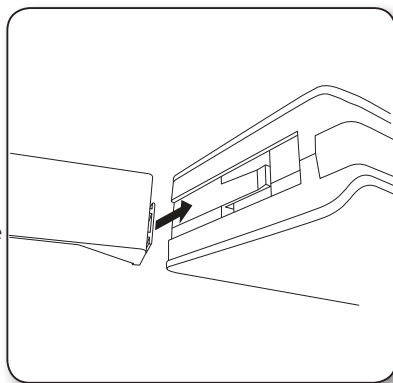


5. Mettre en place le récepteur SR466 là où on compte s'en servir (la règle empirique générale consiste à maintenir un "axe de visibilité directe" entre le récepteur et les émetteurs pour que le ou les utilisateur(s) de l'émetteur ai(en)t le récepteur dans leur champ de vision). Mettre en marche le récepteur SR466.
6. Mettre en marche l'amplificateur et/ou la table de mixage, mais en maintenant son volume abaissé à fond. Ensuite, vérifier que le son de l'émetteur ne soit plus coupé en positionnant son bouton Audio sur ON (vers le haut). Ensuite, régler le bouton de Réglage du Volume (Volume Control) du SR466 à fond dans le sens horaire ; il s'agit là du gain unitaire. Parler ou chanter dans le micro à un niveau normal d'interprétation tout en montant lentement le volume de l'amplificateur/table de mixage jusqu'à parvenir au niveau désiré.

Installation encastrable

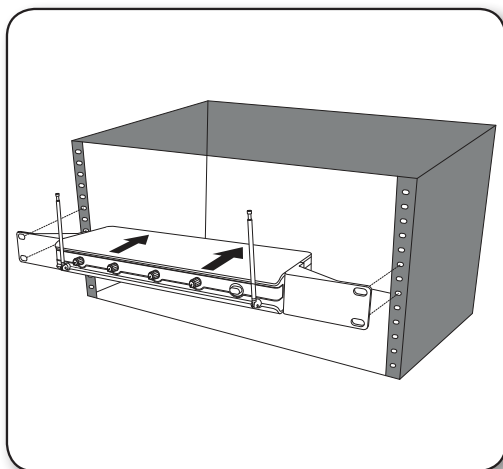
Le récepteur SR466 peut être mis en place dans une baie 19" standard en vue de le transporter ou de l'installer de façon permanente à l'aide des pattes de la baie. Pour installer le SR466 sur baie, suivre les étapes simples suivantes :

Fixer les pattes de la baie du RK466 ci-joint en faisant coulisser chaque patte de baie dans la rainure, d'un côté du SR466 ou de l'autre jusqu'à ce que la patte de la baie se bloque en place, et qu'elle soit au même niveau que la façade avant.



Disposer le récepteur SR466 dans une baie disponible, puis la faire rentrer en coulisant jusqu'à ce que les pattes de la baie touchent les glissières du boîtier de baie et soient alignées sur les trous des glissières de la baie.

Mettre en place le récepteur dans la baie à l'aide des vis de baie aux bonnes dimensions (non jointes à la livraison). Pour assurer un serrage égal et un bon équilibrage à la mise en place du récepteur, vous devrez fixer les vis suivant une trajectoire en croix : en haut à gauche -> en bas à droite -> en haut à droite -> en bas à gauche.



ENGLISH

FRANÇAIS

DEUTSCHE

ESPAÑOL

ITALIANO

Caractéristiques techniques

CARACTERISTIQUES GENERALES DU SYSTEME

Fréquence de travail en VHF, entre 173,80 MHz et 213,20 MHz	
Nombre de canaux	Canal fixe
Stabilité de fréquence	±0,005%
Mode de modulation	Modulation de fréquence (FM)
Écart maximum	±15 kHz
Portée	250 pieds, soit 75 m (en visibilité directe)
Plage de températures de service	entre 40°F (4°C) et 104°F (40°C)
Réponse en fréquence	80 Hz à 15 kHz

CARACTERISTIQUES TECHNIQUES DU RECEPTEUR SR466

Réjection d'image	30 dB
Gamme dynamique	95.5 dB
Tension de sortie maximale	900 mV
Sensibilité	10 dB μ V à 48 dB de rapport signal-bruit
Connecteurs de sortie	Quatre : jack de téléphone 1/4" TS ("mono") ;
Niveaux de sortie audio sur XLR à balance	-10 dB déséquilibrée (connecteur téléphonique 1/4") ; +4 dBu équilibré (connecteur XLR)
Alimentation	100-240 V~ (50/60 Hz) vers 12 V= 0,5 A
Dimensions	12.2" x 4.3" x 1.75"
309 mm x 111 mm x 44 mm	
Poids net	1 lb 0,45 kg

CARACTERISTIQUES TECHNIQUES DE L'EMETTEUR PORTATIF HT6

Puissance émise en sortie	10 mW
Élément vibrant	H6 Dynamique unidirectionnel
Autonomie type de la pile (pile alcaline 9 V)	9 heures
Courant absorbé	type : 30 mA
Dimensions	Ø2.1" x 9.3" Ø52,6 mm x 235,5 mm
Poids net	0,4 lbs 0,18 kg

Diagnostic des pannes

Problème	Solutions
Pas de son	Allumer l'émetteur HT6 (bouton MARCHÉ/ARRET).
	Vérifier que les piles de l'émetteur HT6 sont correctement installées.
	Vérifier que le bouton MARCHÉ/ARRET Audio du HT6 soit sur MARCHÉ (ON).
	Vérifier que l'adaptateur du SR466 est bien en place et branché sur une prise de secteur.
	Mettre le récepteur SR466 en Marche.
	Vérifier que les liaisons de sortie et d'entrée audio du SR466 sont solidement établies.
	Vérifier que le récepteur SR466 et les émetteurs HT6 soient bien en visibilité directe entre eux.
	Vérifier les commandes de niveau du récepteur et du dispositif d'entrée audio.
Audio déformé	Vérifier le niveau de sortie du récepteur et du dispositif d'entrée audio.
	Vérifier les piles du HT6 et les remplacer si la réserve est faible.
	Un autre émetteur diffuse peut-être sur le même canal. Eteindre l'émetteur qui provoque peut-être ces interférences.
Paille audio	L'émetteur est peut-être trop loin du récepteur. Le rapprocher du récepteur, ou réorienter les antennes.
	Eloigner ou écarter les sources pouvant provoquer des interférences RF, comme les téléphones cellulaires, téléphones sans fil, éclairages, ordinateurs, ossatures métalliques, etc.
Emetteurs et Récepteur réglés sur des canaux différents	Contactez le revendeur ou distributeur Samson pour lui demander assistance.

ENGLISH

FRANÇAIS

DEUTSCHE

ESPAÑOL

ITALIANO

Règlements de la FCC

Les récepteurs sans fil Samson sont certifiés selon les Règlements FCC section 15, les émetteurs étant certifiés selon les Règlements FCC section 74. La délivrance d'une licence pour les équipements Samson incombe à l'utilisateur, l'admissibilité à cette licence étant fonction de la classification de l'utilisateur, de l'application et de la fréquence choisie.

REMARQUE : Ce matériel a été testé et jugé conforme aux limites applicables à un appareil numérique de Classe B aux termes de la section 15 des Règlements de la FCC. Ces limites ont pour objet offrir une protection raisonnable contre les interférences nocives rencontrées dans une installation résidentielle. Ce matériel génère, utilise et peut dégager une énergie radioélectrique et, s'il n'est pas installé ni utilisé conformément au présent manuel d'utilisation, risque de provoquer des perturbations nocives pour les radiocommunications. Toutefois, il n'est pas garanti qu'une installation donnée ne provoque pas d'interférences. Si ce matériel ne déclenche pas d'interférences brouillant la réception des signaux de radio ou de télévision, ce qu'on peut établir en l'éteignant, puis en le rallumant, l'utilisateur est invité à tenter de corriger les interférences en adoptant une ou plusieurs des mesures suivantes :

- réorienter ou déplacer l'antenne de réception,
- augmenter la distance entre le matériel et le récepteur,
- brancher l'appareil sur une prise de secteur située sur un circuit différent de celui où le récepteur est branché,
- demander conseil au revendeur ou à un technicien de radio/TV expérimenté.

AVERTISSEMENT : Les changements ou modifications non expressément validés par le responsable de la conformité risquent d'annuler l'autorisation de l'utilisateur à faire fonctionner les équipements.

Cet appareil est conforme à la norme RSS-210 d'Industrie & Sciences Canada.

Le fonctionnement est assujéti aux deux conditions suivantes :

- (1) Ce terminal ne doit pas provoquer d'interférences nocives, et
- (2) cet appareil doit impérativement accepter les interférences éventuelles reçues, y compris les interférences qui risquent de provoquer un fonctionnement intempestif.

Wichtige Sicherheitshinweise



ATTENTION RISQUE D'ÉLECTROCUTION ! NE PAS OUVRIR !

VORSICHT: UM DIE GEFAHR EINES STROMSCHLAGS ZU VERRINGERN, ENTFERNEN SIE NICHT DIE VORDER- ODER RÜCKSEITE DES GERÄTS. IM INNERN BEFINDEN SICH KEINE VOM ANWENDER WARTBAREN BAUTEILE. ÜBERLASSEN SIE DIE WARTUNG QUALIFIZIERTEM FACHPERSONAL.



Der Blitz mit Pfeilspitze im gleichseitigen Dreieck soll den Anwender vor nichtisolierter, gefährlicher Spannung im Geräteinnern warnen. Diese Spannung kann so hoch sein, dass die Gefahr eines Stromschlags besteht.



Das Ausrufezeichen im gleichseitigen Dreieck soll den Anwender auf wichtige Bedienungs- und Wartungsanleitungen aufmerksam machen, die im mitgelieferten Informationsmaterial näher beschrieben werden.

VORSICHT

UM BRÄNDE ODER STROMSCHLÄGE ZU VERHINDERN, VERWENDEN SIE DIESEN STECKER NICHT MIT VERLÄNGERUNGSKABELN, STECKDOSEN ODER ANDEREN NETZANSCHLÜSSEN, WENN MAN DIE POLE NICHT GANZ EINSTECKEN KANN, DAMIT SIE UNZUGÄNGLICH SIND. SETZEN SIE DAS GERÄT WEDER REGEN NOCH FEUCHTIGKEIT AUS. STECKEN SIE DEN BREITEN POL GANZ IN DEN BREITEN SCHLITZ.

DIESES GERÄT ENTSPRICHT PART 15 DER FCC-VORSCHRIFTEN CLASS B. DER BETRIEB UNTERLIEGT FOLGENDEN ZWEI BEDINGUNGEN: (1) DIESES GERÄT DARF KEINE STÖRUNGEN VERURSACHEN UND (2) ES MUSS ALLE EMPFANGENEN STÖRUNGEN VERKRAFTEN KÖNNEN, AUCH SOLCHE, DIE DIE FUNKTION BEEINTRÄCHTIGEN. GEEIGNET FÜR PRIVAT- UND BÜROANWENDUNGEN.



Dieses Produkt darf nicht mit dem normalen Hausmüll entsorgt werden. Es gibt ein separates Entsorgungssystem für gebrauchte elektronische Produkte, das die gesetzlichen Vorschriften zur korrekten Behandlung, Verarbeitung und Wiederaufbereitung erfüllt.

Private Haushalte in den 25 Mitgliedstaaten der EU, in der Schweiz und Norwegen können ihre gebrauchten elektronischen Produkte kostenlos bei ausgewiesenen Sammelstellen oder Einzelhändlern (bei Kauf eines ähnlichen neuen Produkts) abgeben.

In Ländern, die nicht oben erwähnt wurden, informieren Sie sich bitte bei Ihrer Gemeindeverwaltung über eine korrekte Entsorgungsmöglichkeit.

Auf diese Weise stellen Sie sicher, dass Ihr entsorgtes Produkt sachgemäß behandelt, verarbeitet und wiederaufbereitet wird und potentiell negative Auswirkungen auf die Umwelt und menschliche Gesundheit vermieden werden.

Wichtige Sicherheitshinweise

1. Lesen Sie diese Anleitungen.
 2. Bewahren Sie diese Anleitungen auf.
 3. Beachten Sie alle Warnungen.
 4. Befolgen Sie alle Anweisungen.
 5. Verwenden Sie das Gerät nicht in Wassernähe.
 6. Reinigen Sie das Gerät nur mit einem trockenen Tuch.
 7. Blockieren Sie keine Belüftungsöffnungen. Installieren Sie das Gerät nur entsprechend den Anweisungen des Herstellers.
 8. Installieren Sie das Gerät nicht in der Nähe von Wärmequellen, wie Heizkörpern, Wärmeklappen, Öfen oder anderen Geräten (inklusive Verstärkern).
 9. Setzen Sie die Funktion des polarisierten oder geerdeten Steckers nicht außer Kraft. Ein polarisierter Stecker hat zwei flache, unterschiedlich breite Pole. Ein geerdeter Stecker hat zwei flache Pole und einen dritten Erdungsstift. Der breitere Pol oder der dritte Stift dient Ihrer Sicherheit. Wenn der vorhandene Stecker nicht in Ihre Steckdose passt, lassen Sie die veraltete Steckdose von einem Elektriker ersetzen.
 10. Schützen Sie das Netzkabel dahingehend, dass niemand darüber laufen und es nicht geknickt werden kann. Achten Sie hierbei besonders auf Netzstecker, Mehrfachsteckdosen und den Kabelanschluss am Gerät.
 11. Benutzen Sie nur die vom Hersteller angegebenen Halterungen/Zubehörteile.
 12. Benutzen Sie das Gerät nur mit den Wagen, Ständern, Stativen, Halterungen oder Tischen, die vom Hersteller empfohlen oder mit dem Gerät verkauft wurden. Gehen Sie beim Be-
- wegen eines Wagens vorsichtig vor, damit die Wagen/Geräte-Kombination nicht umkippt und Verletzungen verursacht.
13. Ziehen Sie den Netzstecker des Geräts bei Gewittern oder längeren Betriebspausen aus der Steckdose.
 14. Überlassen Sie die Wartung qualifiziertem Fachpersonal. Eine Wartung ist notwendig, wenn das Gerät auf irgendeine Weise beschädigt wurde, z. B. am Netzkabel oder -stecker, oder wenn Flüssigkeiten/Objekte in das Gerät gelangt sind, es Regen/Feuchtigkeit ausgesetzt war, nicht mehr wie gewohnt funktioniert oder fallen gelassen wurde.
 15. Setzen Sie dieses Gerät keinen tropfenden oder spritzenden Flüssigkeiten aus und stellen Sie keine mit Flüssigkeit gefüllten Objekte, z. B. Vasen, auf das Gerät.
 16. Um Stromschläge zu verhindern, stecken Sie den breiten Pol des Steckers ganz in den breiten Schlitz.
 17. Sorgen Sie rund um das Gerät immer für ausreichende Belüftung.
 18. Der direkt einsteckbare Adapter dient zur Unterbrechung der Stromzufuhr und sollte immer erreichbar sein.
 19. Batterien (Akkus oder installierte Batterien) dürfen keiner starken Hitze, wie Sonnenlicht, Feuer o. Ä., ausgesetzt werden.



53125A

Inhalt

Einführung	30
HT6 Sender – Regler und Funktionen.	32
Schnellstart	33
Schnellstart	34
Rack / Schrank Installation.	35
Spezifikationen.	36
Fehlerbehebung	37

ENGLISH

FRANÇAIS

DEUTSCHE

ESPAÑOL

ITALIANO

Einführung

Herzlichen Glückwunsch für den Kauf des Samson Stage v466 Kabellosen Systems mit vier Handmikrofonen! Das Stage v466 System ist die perfekte Lösung für jede Anwendung, bei denen vier Personen zusammen auftreten / agieren müssen. Das System enthält den SR466 Vierkanal Empfänger mit individuellen und gemischten Ausgängen. Ebenfalls enthalten sind vier tragbare HT6 Mikrofonsender.

Mit dem Stage v466 System werden Sie hervorragende Sound Qualität mit klarem Empfang haben und die Möglichkeit, sich frei am Veranstaltungsort zu bewegen. Das Stage v466 System ist das ideale Tool jeden Live Einsatz mit Quad Kanal Anforderungen, einschließlich Karaoke, Schulveranstaltungen, Konferenzen und Gotteshäuser / Kirchen. Das Stage v466 bietet außergewöhnliche Leistung und Zuverlässigkeit.

Obwohl dieses Produkt problemlos und intuitiv bedient werden kann, empfehlen wir Ihnen, sich die Zeit zu nehmen und diese Seiten aufmerksam zu lesen um zu lernen, wie wir eine Anzahl von einzigartigen Funktionen integriert haben und um eine Schritt-für-Schritt Anleitung zu erhalten, wie das System eingestellt wird. Wenn Sie Ihr Stage v466 System in den Vereinigten Staaten erworben haben, werden Sie ebenfalls in der Lieferumfang eine Garantiekarte finden — vergessen Sie bitte nicht, sie auszufüllen und einzusenden, so dass Sie Online-Support in Anspruch nehmen können und wir Ihnen aktualisierte Informationen über dieses und andere Samson Produkte zusenden können. Besuchen Sie ebenfalls unsere Website (www.samsontech.com), um Informationen über unser komplettes Produktangebot zu erhalten.

Wir empfehlen Ihnen, die Seriennummer im unten dafür vorgesehenen Bereich festzuhalten, um sie später zur Hand zu haben.

Seriennummer: _____

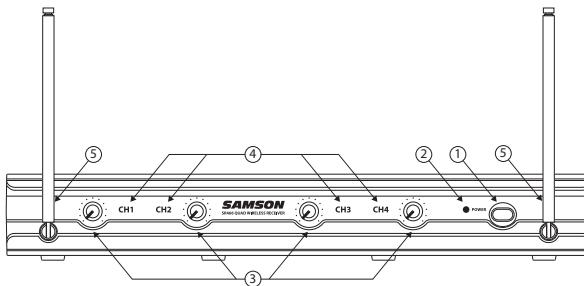
Kaufdatum: _____

Falls Ihre Einheit je eine Reparatur benötigen sollte, ist eine Return Authorization (RA) Nummer [Rücksende-Genehmigungsnummer] erforderlich, bevor Sie Ihr Gerät an die Samson schicken. Ohne diese Nummer wird das Gerät nicht angenommen. Bitte rufen Sie Samson unter 1-800-3SAMSON (1-800-372-6766) an und erbitten Sie eine RA Nummer, bevor Sie die Einheit einschicken. Bitte bewahren Sie das originale Verpackungsmaterial auf und schicken Sie das Gerät wenn möglich in der originalen Verpackung ein. Wenn Sie Ihr Samson ausserhalb der Vereinigten Staaten erworben haben, kontaktieren Sie bitte Ihren lokalen Händler für Informationen zu Garantie und Reparaturen.

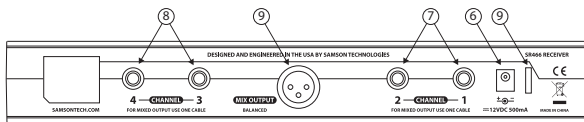
Funktionen

- Professionelles, kabelloses System mit vier Handmikrofonen
- Leicht zu konfigurieren und zu bedienen.
- Kristallgesteuerter Zwischenfrequenzkreis für klaren und zuverlässigen Empfang.
- Individuelle Einstellmöglichkeit für jeden Empfängerkanal.
- Vier ¼" Audio-Ausgänge für individuelle oder gemischte Kanalpaare
- XLR gemischter Ausgang für alle vier Kanäle.
- Außergewöhnliche 250' Reichweite bei offenem Gelände.
- Vier HT6 tragbare Sender mit einer Batterie-Betriebsdauer von bis zu neun Stunden.

SR466 Empfänger - Regler und Funktionen



- Hauptschalter** - Betätigen Sie ihn, um den Empfänger ein- oder auszuschalten.
- Stromindikator** - Leuchtet rot, wenn der Empfänger eingeschaltet ist.
- Lautstärkensteuerung (Kanal 1-4)** - Drehen Sie sie, um die Lautstärke eines jeden Empfängers individuell einzustellen.
- RF Indikator (Kanal 1-4)** - Leuchtet grün, wenn der entsprechende HT6 Mikrofonseher eingeschaltet ist und ein kabelloses Signal ankommt vom Empfänger erkannt wird.
- Antenne** - Der Antennenhalter ermöglicht eine volle Umdrehung, um die optimale Stellung für den Empfang einstellen zu können. Bei normalem Betrieb sollen sich beide Antennen in vertikaler Position befinden. Die Antennen können für den Transport des SR466 nach innen geklappt werden.



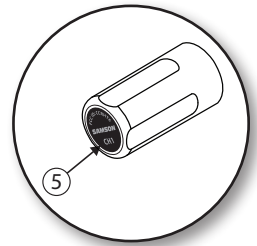
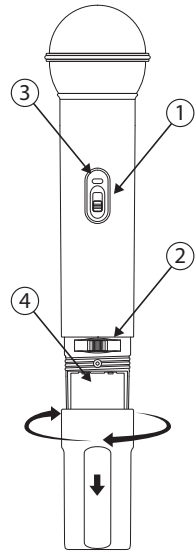
- DC Eingang** - Schließen Sie hier das mitgelieferte 12-Volt, 500 mA Netzteil an. **WARNUNG:** Der Austausch irgendeines Netzteils durch ein anderes kann schwere Schäden am SR466 verursachen und die Garantie wird dadurch ungültig.
- Ausgänge der Kanäle 1 & 2** - Benutzen Sie diese unabgeglichenen 1/4" Buchsen, um die Kanal 1 und Kanal 2 Empfänger des SR466 an den Line In Eingang eines Mixers, Verstärkers oder eines anderen Audio Geräts anzuschließen. Für einzelne Ausgänge, stecken Sie sie in beide Buchsen, für ein gemischtes Signal der Kanal 1 und Kanal 2 Empfänger, stecken Sie sie nur in einen der Ausgänge.
- Ausgänge der Kanäle 3 & 4** - Benutzen Sie diese unabgeglichenen 1/4" Buchsen, um die Kanal 3 und Kanal 4 Empfänger des SR466 an den Line In Eingang eines Mixers, Verstärkers oder eines anderen Audio Geräts anzuschließen. Für einzelne Ausgänge, stecken Sie sie in beide Buchsen, für ein gemischtes Signal der Kanal 3 und Kanal 4 Empfänger, stecken Sie sie nur in einen der Ausgänge.
- Gemischter Ausgang** - Die abgeglichene XLR Buchse ist der gemischte Ausgang aller vier Empfänger. Sie kann an den Line In Eingang eines Mixers, Verstärkers oder anderen Audio Geräts angeschlossen werden. Dieser Ausgang kann genutzt werden, wenn kein zusätzliches individuelles Mixing oder EQ pro Kanal notwendig ist.



- Adapter Zulentlastung** - Ziehen Sie das Kabel des Netzanschlusses durch die Zulentlastung, um zu verhindern, dass der Stecker unbeabsichtigt vom Sender herausgezogen wird.

HT6 Sender – Regler und Funktionen

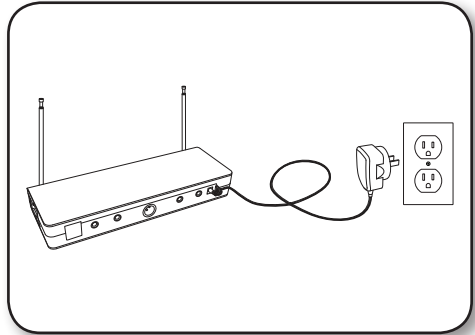
- 1. Audio ON/OFF Schalter** - Wenn er in der ON Position befindet, wird das Audio Signal übertragen. Wenn er in der OFF Position befindet, wird das Audio Signal abgeschaltet [Mute]. Bitte beachten Sie, dass, wenn Sie den Schalter auf die OFF Position schalten, wird der Sender nicht ausgeschaltet - dies ist lediglich ein Weg, temporär die Übertragung des Audio-Signals auszuschalten. Wenn das Gerät für längere Zeit nicht genutzt wird, sollte es ausgeschaltet werden, indem der Hauptschalter, der ON/OFF Schalter (siehe #2 unten) ausgeschaltet wird.
- 2. Haupt ON/OFF Schalter** - Benutzen Sie diesen Schalter, um das HT6 ein- oder auszuschalten (um die Batterie zu schonen, lassen Sie den Schalter ausgeschaltet, wenn das Gerät nicht benutzt wird). Stellen Sie sicher, das Audio Signal an Ihrem externen Mixer oder Verstärker auszuschalten, bevor Sie den Sender ein- oder ausschalten. Andernfalls kann ein hörbares Knacken erfolgen.
- 3. Stromindikator** - Das LED leuchtet grün, wenn der Sender eingeschaltet ist.
- 4. Batteriefach** - Setzen Sie hier eine Standard 9-Volt Alkaline Batterie ein. Achten Sie auf die korrekte Polung, wenn Sie die Batterie einsetzen. Wir empfehlen für dieses Gerät eine Duracell Typ MN 1604 Batterie. Obwohl aufladbare Ni-Cad Batterien eingesetzt werden können, liefern diese nicht ausreichend Energie für mehr als vier Stunden.
WARNUNG: Setzen Sie die Batterie nicht rückwärts ein; dies kann schwere Schäden am HT6 System verursachen und die Garantie wird dadurch ungültig.
- 5. Kanalmarkierung** - Gedruckte Nummer, die dem jeweiligen Kanal am SR466 Empfänger entspricht.



Schnellstart

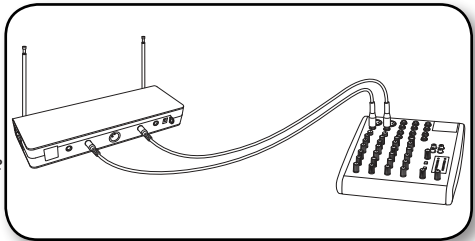
Folgen Sie diesen grundlegenden Vorgehensweisen zur Einstellung und dem Einsatz Ihres Kabellosen Stage v466 Systems.

1. Schließen Sie das Netzteil des SR466 Empfängers an den DC Eingang an der Rückseite und an eine Steckdose.

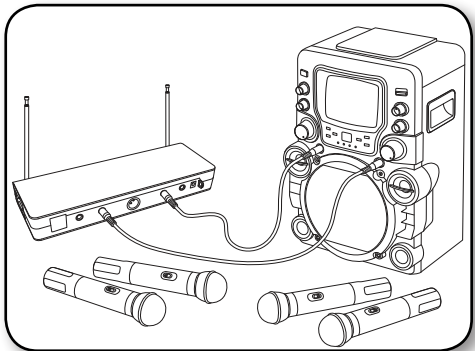


2. Schließen Sie die korrekten 1/4" Ausgänge an den Eingang eines Mixers, Verstärkers, eines Karaoke Geräts oder einen anderen Line In Eingang (siehe unten). Wenn eine beschränkte Zahl von Eingangskanälen existiert, schließen Sie den XLR Ausgang an den XLR Eingang eines Mixers für einen kombinierten, gemischten Ausgang aller vier Empfänger.

Benutzen Sie die zwei im Lieferumfang enthaltenen 1/4" - 1/4" Kabel, um den SR466 Empfänger mit einem Mixer zu verbinden. Jeder Ausgang wird ein gemischtes Signal eines Empfängerpaars, Kanal 1 & 2 und Channel 3 & 4, senden. Für eine individuelle Steuerung eines jeden Empfängers verbinden Sie die 1/4" - 1/4" Kabel des SR466 Empfängers an vier Eingangskanäle eines Mixers.



Benutzen Sie die im Lieferumfang enthaltenen 1/4" - 1/4" Kabel, um den SR466 Empfänger mit einem Mixer zu verbinden



ENGLISH

FRANÇAIS

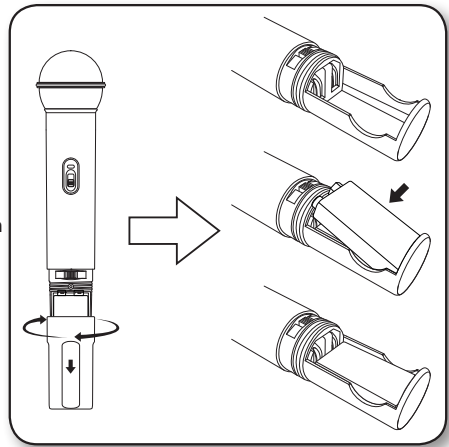
DEUTSCHE

ESPAÑOL

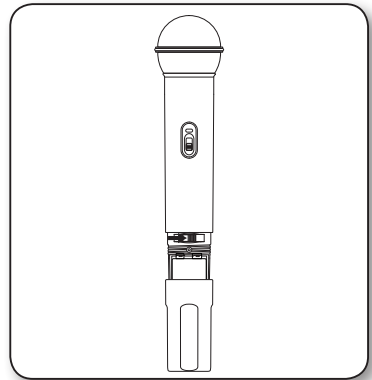
ITALIANO

Schnellstart

3. Drehen Sie, während Sie den oberen Teil des HT6 Senders halten, den unteren Teil und schieben Sie ihn nach unten, um das Batteriefach zu öffnen. Setzen Sie eine Standard 9-Volt Alkaline Batterie ein. Achten Sie dabei auf die korrekte Polung.



4. Schalten Sie den HT6 Sender ein, indem Sie den POWER Schalter nach rechts schieben, und ersetzen Sie den unteren Teil.

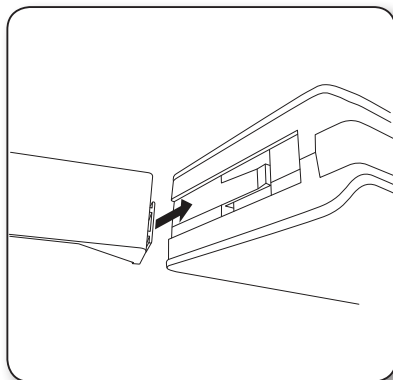


5. Platzieren Sie den SR466 Empfänger am Ort, an dem er eingesetzt wird (allgemeine Daumenregel ist, die "Sichtverbindung" zwischen dem Empfänger und dem / den Sender(n) zu halten, so dass die Person / Personen, die Sender nutzen, den Empfänger sehen können). Schalten Sie den SR466 Empfänger ein.
6. Schalten Sie den angeschlossenen Verstärker und / oder Mixer ein, halten Sie dabei jedoch die Lautstärke niedrig. Vergewissern Sie sich als nächstes, dass Ihr Sender nicht leise geschaltet ist [Mute], indem Sie den Audio Schalter auf die ON (oben) Position stellen. Drehen Sie dann den Lautstärkeknopf am SR466 voll im Uhrzeigersinn; dies ist Einsverstärkung. Sprechen oder singen Sie in das Mikrofon mit normaler Lautstärke, während Sie langsam das Volumen an Ihrem Verstärker / Mixer erhöhen, bis Sie die gewünschte Lautstärke erreicht haben.

Rack / Schrank Installation

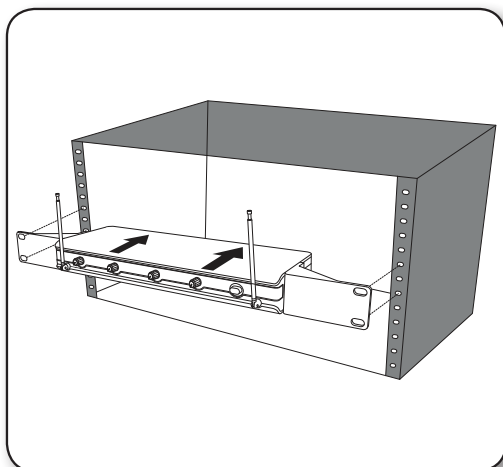
Der SR466 Empfänger kann in einen Standard 19" Rack für den Transport oder die permanente Installation montiert werden. Benutzen Sie dazu die enthaltenen Rack Laschen. Folgen Sie den unten angegebenen einfachen Schritten, um den SR466 in einem Rack zu montieren:

Montieren Sie die beinhalteten RK466 Rack Laschen, indem Sie jede Lasche auf die Schiene einer jeden Seite des SR466 schieben, bis die Laschen einrasten und flach mit der Vorderseite abschließen.



Setzen Sie den SR466 Empfänger in ein freies Rack Fach und schieben Sie in hinein, bis die Laschen die Schienen des Gehäuses berühren und mit den Löchern der Rack-Schiene ausgerichtet sind.

Montieren Sie die Empfänger im Rack, indem Sie ihn mit den passenden Rack-Schrauben (nicht beinhaltet) festziehen. Um gleiche Spannung und Balance sicherzustellen, wenn Sie den Empfänger montieren, sollten Sie die Schrauben über Kreuz, jeweils die schräg gegenüber liegenden Schrauben anziehen: oben links -> unten rechts -> oben rechts -> unten links.



ENGLISH

FRANÇAIS

DEUTSCHE

ESPAÑOL

ITALIANO

Spezifikationen

ALLGEMEINE SYSTEMSPEZIFIKATIONEN

Betriebsfrequenz:	VHF 173,80 MHz bis 213,20 MHz
Anzahl der Kanäle	Fester Kanal
Frequenzstabilität	±0,005%
Modulationsmodus	FM
Maximale Abweichung	±15 kHz
Betriebsbereich	250' (Sichtlinie)
Betriebstemperatur	40° F (4° C) bis 104° F (40° C)
Frequenzgang	80 Hz bis 15 kHz

SR466 EMPFÄNGER SPEZIFIKATIONEN

Spiegelfrequenz	30 dB
Dynamikbereich	95,5 dB
Maximaler Ausgang	900mV
Empfindlichkeit	10 dBµV für 48 dB S/N
Ausgangsanschlüsse	Vier - 1/4" TS ("Mono") Phone Buchsen; Abgegliche XLR
Audio Ausgangslevel	-10dB unabgeglichen (1/4" Phone Anschlüsse); +4dB unabgeglichen (XLR Anschluss)
Stromversorgung	100-240V AC (50/60 Hz) nach 12V DC 0,5A
Abmessungen	12,2" x 4,3" x 1,75" 309 mm x 111 mm x 44 mm
Netto Gewicht	1 lb 0,6 kg

SPEZIFIKATIONEN DES TRAGBARER HT6 SENDERS

RF Stromausgang	10 mW
Mikrofon Element	H6 Dynamisch unidirektional
Typische Batterielebenszeit (9-Volt Alkaline Batterie)	9-Stunden
Stromaufnahme	30 mA typisch
Abmessungen	Ø2,1" x 9,3" Ø52,6 mm x 235,5 mm
Netto Gewicht	0,4 lbs 0,18 kg

Fehlerbehebung

Ausgabe	Lösungen
Kein Audio	Schalten Sie den HT6 Sender über den Haupt- ON/OFF Schalter ein.
	Vergewissern Sie sich, dass die Batterien des HT6 Senders korrekt eingelegt sind.
	Prüfen Sie, ob der HT6 Audio ON/OFF Schalter auf der ON Position steht.
	Prüfen Sie, ob das SR466 Netzteil korrekt eingesteckt ist und richtig mit einer Steckdose verbunden ist.
	Schalten Sie den SR466 Empfänger ein.
	Vergewissern Sie sich, dass der SR466 Ausgang und Audio Eingangsanschlüsse sicher verbunden sind.
	Vergewissern Sie sich, dass sich der SR466 Empfänger und die HT6 Sender untereinander in Sichtlinie befinden.
	Prüfen Sie die Lautstärken des Empfängers und des Audio Input.
Verzerrter Ton	Prüfen Sie die Lautstärken des Empfängers und des Audio Input.
	Prüfen Sie die Batterien des HT6 und ersetzen Sie sie, falls sie schwach sein sollten.
	Ein anderer Sender kann auf demselben Kanal senden. Schalten Sie den Sender aus, der eventuell Interferenzen verursachen könnte.
Audio Aussetzer	Der Sender kann ist eventuell zu weit vom Empfänger entfernt. Bewegen Sie ihn näher an den Empfänger oder positionieren Sie die Antennen neu.
	Entfernen oder vermeiden Sie Quellen, die RF Interferenzen verursachen könnten, wie etwa Mobiltelefone, kabellose Telefone, Lichtequipment, Computer, Metallstrukturen, etc.
Sender und Empfänger sind auf unterschiedliche Kanälen eingestellt	Kontaktieren Sie Ihren Samson Händler oder Vertrieb.

ENGLISH

FRANÇAIS

DEUTSCHE

ESPAÑOL

ITALIANO

FCC Regeln und Bestimmungen

Samson Drahtlosempfänger sind typgeprüft unter den FCC Bestimmungen Part 15 und die Sender sind typgeprüft unter den FCC Bestimmungen Part 74. Für die Zulassung der Samson-Geräte ist der Anwender verantwortlich. Die Zulassungsfähigkeit hängt von der Klassifizierung, Anwendung und gewählten Frequenz des Nutzers ab.

HINWEIS: Dieses Gerät wurde getestet und entspricht den Einschränkungen für Class B Digitalgeräte, gemäß Part 15 der FCC Vorschriften. Diese Einschränkungen sollen angemessenen Schutz vor schädlichen Interferenzen bei der Installation in Wohngebieten bieten. Dieses Gerät erzeugt, verwendet und kann Rundfunkfrequenz-Energie ausstrahlen und kann, wenn es nicht gemäß den Anleitungen installiert und betrieben wird, schädliche Interferenzen bei der Rundfunkkommunikation erzeugen. Es gibt allerdings keine Garantien, dass bei einer bestimmten Installation keine Interferenzen auftreten. Wenn dieses Gerät schädliche Interferenzen beim Radio- oder TV-Empfang verursacht, was sich durch Aus- und Einschalten des Geräts feststellen lässt, sollte der Anwender versuchen, die Interferenzen durch eine oder mehrere der folgenden Maßnahmen zu beseitigen:

- Die Empfangsantenne neu ausrichten oder neu positionieren.
- Die Entfernung zwischen Gerät und Empfänger erhöhen.
- Das Gerät an die Steckdose eines anderen Stromkreises als den des Empfängers anschließen.
- Einen Fachhändler oder erfahrenen Radio-/TV-Techniker um Hilfe bitten.

VORSICHT: Änderungen oder Modifikationen, die von der für die Konformität verantwortlichen Stelle nicht ausdrücklich bewilligt wurden, können zum Entzug der Betriebserlaubnis führen.

Dieses Gerät entspricht RSS-210 von Industry & Science Kanada.

**Der Betrieb unterliegt folgenden zwei Bedingungen:
(1) dieses Gerät darf keine schädlichen Störungen verursachen und (2) dieses Gerät muss empfangene Störungen verkraften können - inklusive Störungen, die ein unerwünschtes Betriebsverhalten verursachen.**

Instrucciones importantes de seguridad



ATTENTION RISQUE D'ÉLECTROCUTION ! NE PAS OUVRIR !

ATENCIÓN: PARA REDUCIR EL RIESGO DE DESCARGAS ELÉCTRICAS, NO DESMONTE LA TAPA (NI EL CHASIS). DENTRO DE ESTE APARATO NO HAY PIEZAS SUSCEPTIBLES DE SER REPARADAS POR EL PROPIO USUARIO. DIRIJA CUALQUIER REPARACIÓN AL SERVICIO TÉCNICO OFICIAL.



El símbolo del rayo dentro de un triángulo equilátero pretende advertir al usuario de la presencia de "voltajes peligrosos" no aislados dentro de la carcasa del producto, que pueden ser de suficiente magnitud como para suponer un riesgo de descarga eléctrica.



El símbolo de exclamación dentro de un triángulo equilátero pretende advertir al usuario de la existencia de instrucciones de manejo y mantenimiento importantes en los documentos que vienen con el aparato.

ATENCIÓN

PARA EVITAR EL RIESGO DE INCENDIOS O DESCARGAS ELÉCTRICAS, NO USE EL ENCHUFE DE ESTE APARATO CON UNA REGLETA, RECEPTÁCULO O SALIDA DE CORRIENTE SALVO QUE LOS BORNES DEL MISMO QUEDEN COMPLETAMENTE INTRODUCIDOS Y NO QUEDEN PARTES DE LOS MISMOS AL DESCUBIERTO. PARA EVITAR EL RIESGO DE INCENDIOS O DESCARGAS ELÉCTRICAS, NO PERMITA QUE ESTE APARATO QUEDA EXPUESTO A LA LLUVIA O LA HUMEDAD. PARA EVITAR DESCARGAS ELÉCTRICAS, COLOQUE E INTRODUZCA CORRECTAMENTE EL ENCHUFE EN LA UNIDAD.

THIS DEVICE COMPLIES WITH PART 15 OF THE FCC RULES CLASS B. OPERATION IS SUBJECT TO THE FOLLOWING TWO CONDITIONS: (1) THIS DEVICE MUST NOT CAUSE HARMFUL INTERFERENCE, AND (2) THIS DEVICE MUST ACCEPT ANY INTERFERENCE RECEIVED INCLUDING INTERFERENCE THAT MAY CAUSE UNDESIRED OPERATION. SUITABLE FOR HOME OR OFFICE USE.



A la hora de deshacerse de este aparato, no lo elimine junto con la basura orgánica. Existe un procedimiento de eliminación de aparatos electrónicos usados que cumple con la legislación actual sobre tratamiento, recuperación y reciclaje de elementos electrónicos.

Todos los usuarios no profesionales y que sean ciudadanos de uno de los 25 países miembros de la EU, Suiza y Noruega, pueden devolver sus aparatos electrónicos usados, sin coste alguno, al comercio en el que fueron adquiridos (si adquiere allí otro aparato similar) o en determinados puntos limpios designados

En el caso de cualquier otro país distinto a los anteriores, póngase en contacto con las autoridades locales para que le informen del método adecuado para deshacerse de este aparato. El hacer lo anterior le asegurará que este aparato sea eliminado siguiendo las normas actuales de tratamiento, recuperación y reciclaje de materiales, evitando los posibles efectos negativos para el medio ambiente y la salud.

Instrucciones importantes de seguridad

1. Lea estas instrucciones.
2. Conserve estas instrucciones.
3. Preste atención a todos los avisos.
4. Siga todo lo indicado en estas instrucciones.
5. No utilice este aparato cerca del agua.
6. Limpie este aparato solo con un trapo suave y seco.
7. No bloquee ninguna de las ranuras de ventilación. Instale este aparato solo de acuerdo con las instrucciones del fabricante.
8. No instale este aparato cerca de fuentes de calor como radiadores, hornos u otros aparatos (incluyendo amplificadores) que produzcan calor.
9. No anule el sistema de seguridad que supone un enchufe de tipo polarizado o con toma de tierra. Un enchufe polarizado tiene dos bornes de distinta anchura. Uno con toma de tierra tiene dos bornes iguales y una tercera lámina para la conexión a tierra. El borne ancho o la lámina se incluyen para su seguridad. Si el enchufe que viene con el aparato no encaja en su salida de corriente, haga que un electricista sustituya su salida anticuada.
10. Evite que el cable de alimentación pueda quedar aplastado o retorcido, especialmente en los enchufes, receptáculos y en el punto en el que salen del aparato.
11. Utilice solo accesorios/ complementos especificados por el fabricante.
12. Utilice este aparato solo con el soporte, trípode, mesa o bastidor especificado por el fabricante o que sea comercializado con este aparato. Cuando utilice un bastidor con ruedas, tenga especial cuidado al mover la combinación bastidor/aparato para evitar daños en caso de un vuelco.
13. Desconecte este aparato de la corriente durante las tormentas eléctricas o cuando no lo vaya a usar durante un periodo de tiempo largo.
14. Consulte cualquier posible reparación al servicio técnico oficial. Este aparato deberá ser reparado cuando haya resultado dañado de cualquier forma, tal como por ejemplo si el cable de alimentación o el enchufe se han roto, si se ha derramado algún líquido o introducido algún objeto dentro de la unidad, si el aparato ha quedado expuesto a la lluvia o la humedad, si no funciona correctamente o si hay caído al suelo.
15. No permita que este aparato quede expuesto a salpicaduras de líquidos, ni coloque ningún objeto que los contenga (como un jarrón) sobre él.
16. Atención - para evitar descargas eléctricas, introduzca totalmente el enchufe dentro del receptáculo.
17. Mantenga este aparato en un entorno con buena ventilación.
18. El adaptador de corriente se usa como sistema de desconexión, por lo que debe colocarlo de forma que pueda acceder fácilmente a él.
19. No permita que las pilas (pack o pilas instaladas) queden expuestas a niveles de calor excesivos como cerca llamas o expuestas directamente al sol.



Índice

Introducción	42
SR466 Controles y funciones del receptor	43
HT6 Controles y funciones del transmisor	44
Guía de puesta en marcha	45
Instalación con Montaje en Rack.	47
Especificaciones técnicas	48
Resolución de problemas	49

ENGLISH

FRANÇAIS

DEUTSCHE

ESPAÑOL

ITALIANO

Introducción

Le felicitamos por haber adquirido el Sistema Cuádruple de Micrófonos Inalámbricos Stage v466 de Samson. El sistema Stage v466 es la solución perfecta para cualquier aplicación en la que cuatro personas vayan a actuar juntas. El sistema incluye el receptor de cuatro canales SR466 con salidas individuales y mixtas. También incluye cuatro transmisores para micrófonos manuales HT6.

Con el sistema Stage v466 disfrutará de una excelente calidad de sonido con una recepción clara y además podrá moverse libremente mientras lo utilice. Para cualquier aplicación de sonido en vivo, incluyendo karaoke, representaciones escolares, conferencias y servicios religiosos, el Stage v466 es la solución ideal cuando necesite un sistema de micrófonos inalámbricos de cuatro canales. El Stage v466 siempre proporciona un rendimiento y una fiabilidad extraordinarios.

Aunque este producto está diseñado para un manejo intuitivo, le sugerimos que se tome algún tiempo para leer estas páginas en las que se explica la manera en que hemos implementado varias funciones únicas y en las que se ofrecen instrucciones paso a paso para la configuración del sistema. Si usted ha adquirido el Stage v466 en los Estados Unidos, también encontrará una tarjeta de garantía adjunta; no olvide rellenarla y enviarla por correo para poder recibir soporte técnico online en caso necesario y para que podamos enviarle información actualizada sobre este producto y otros productos de Samson. Asegúrese también de visitar nuestra página web (www.samsontech.com), en la que podrá encontrar toda la información sobre nuestra gama de productos completa.

Le recomendamos que anote el número de serie de su producto en el espacio proporcionado bajo estas líneas para poder indicarlo como referencia en el futuro.

Número de serie: _____

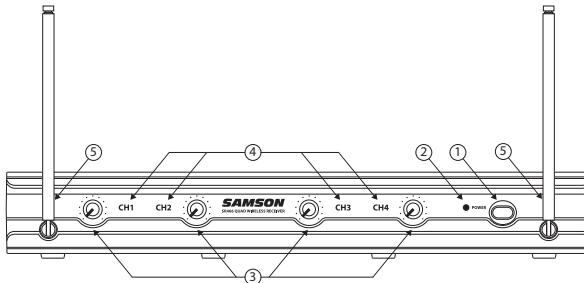
Fecha de compra: _____

En el caso de que su unidad tuviera que ser reparada, es necesario obtener un número de Autorización de Retorno (RA por sus siglas en inglés) antes de enviar la unidad a Samson. Sin este número no se aceptará la unidad. Llame a Samson al número 1-800-3SAMSON (1-800-372-6766) para obtener un número RA antes de enviar su unidad. Conserve los materiales de embalaje originales y, si fuera posible, devuelva la unidad en su caja original. Si ha adquirido su producto Samson fuera de los Estados Unidos, póngase en contacto con su distribuidor local para obtener información sobre la garantía y el servicio del producto.

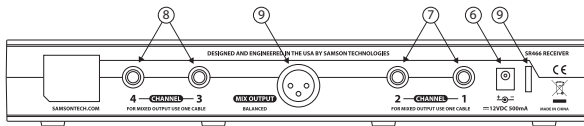
Características

- Sistema cuádruple de micrófonos inalámbricos manuales profesional.
- Configuración y manejo sencillos.
- Circuitos superheterodino con control de cristal para una recepción clara y fiable
- Controles de nivel individuales para cada canal receptor individual.
- Cuatro salidas de audio de ¼" para pares de canales individuales o mixtos
- Salida mixta XLR para los cuatro canales.
- Extraordinario alcance de operación de 250 pies de línea de visión.
- Cuatro transmisores manuales HT6 con hasta nueve horas de vida de batería.

SR466 Controles y funciones del receptor



1. **Interruptor de Alimentación** – Pulse este interruptor para encender y apagar el receptor.
2. **Indicador de Alimentación** – Se ilumina en color rojo cuando el receptor está encendido.
3. **Controles de Volumen (Canales 1-4)** – Gírelos para ajustar el nivel de la salida de audio individual del receptor de cada canal.
4. **Indicadores de RF (Canales 1-4)** – Se ilumina en verde cuando el transmisor de micrófono HT6 correspondiente está encendido y hay una señal inalámbrica presente detectada por el receptor.
5. **Antena** – Las monturas de las antenas permiten el giro completo para una colocación óptima. Durante la operación normal, las dos antenas deben estar colocadas en posición vertical. Las antenas pueden plegarse hacia dentro para mayor comodidad al transportar el SR466.

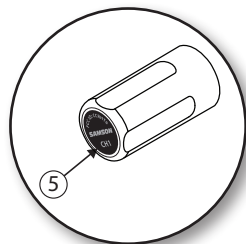
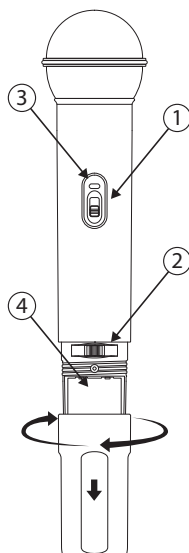


6. **Entrada de CC** – Conecte aquí el adaptador de potencia de 12 voltios, 500 mA suministrado con la unidad.
ADVERTENCIA: El uso de cualquier otro tipo de adaptador de potencia podría provocar graves daños en el SR466 y la anulación de la garantía.
7. **Salidas de los Canales 1 y 2** – Utilice estos conectores jack de 1/4" no balanceado para conectar los receptores del Canal 1 y el Canal 2 del SR466 a la entrada de nivel de línea de una mezcladora, amplificador u otro equipo de audio. Para salidas individuales, conecte los dos jacks; para una señal mixta de los receptores del Canal 1 y el Canal 2, enchufe un solo jack en una de las salidas.
8. **Salidas de los Canales 3 y 4** – Utilice estos conectores jack de 1/4" no balanceado para conectar los receptores del Canal 3 y el Canal 4 del SR466 a la entrada de nivel de línea de una mezcladora, amplificador u otro equipo de audio. Para salidas individuales, conecte los dos jacks; para una señal mixta de los receptores del Canal 3 y el Canal 4, enchufe un solo jack en una de las salidas.
9. **Salida Mixta** – Este jack XLR balanceado es la salida mixta de los cuatro receptores para la conexión a una entrada de nivel de línea de una mezcladora, amplificador u otro equipo de audio. Esta salida puede utilizarse cuando no es necesaria eualización o mezcla individual adicional por canal.
10. **Protección contra Tirones del Cable del Adaptador** – Pase el cable del adaptador suministrado con la unidad a través del dispositivo de protección contra tirones con el fin de evitar que el enchufe se desconecte accidentalmente del receptor.



HT6 Controles y funciones del transmisor

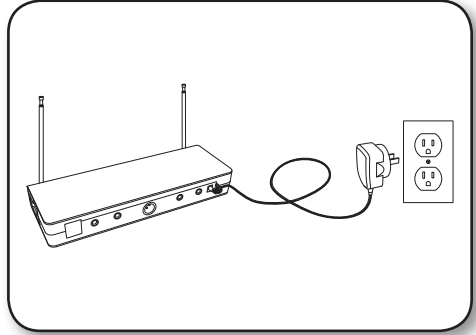
- 1. Interruptor ON/OFF** – Cuando se sitúa este interruptor en la posición de ON (Encendido), se transmite señal de audio. Cuando se sitúa en la posición de OFF (Apagado), la señal de audio se silencia. Tenga en cuenta que el hecho de situar este interruptor en la posición de OFF no desconecta la alimentación eléctrica del transmisor, sino que simplemente se silencia temporalmente la señal de audio. Cuando no vaya a utilizarse el transmisor durante un período de tiempo prolongado, debe desconectarse la alimentación eléctrica utilizando el interruptor ON/OFF (Encendido/Apagado (consulte el punto 2 en el párrafo siguiente).
- 2. Interruptor ON/OFF de encendido** - Utilice este interruptor para encender o apagar el HT6 (para conservar la potencia de la batería, asegúrese de situarlo en la posición de OFF cuando no utilice el transmisor). Asegúrese de silenciar la señal de audio en su mezcladora o amplificador externo antes de encender a apagar el transmisor, ya que en caso contrario se escuchará un sonido similar a una pequeña explosión.
- 3. Indicador de Alimentación** – El LED se ilumina en color verde cuando el transmisor está encendido.
- 4. Compartimento de la Pila** – Inserte en este compartimento una pila alcalina de 9 voltios estándar. Asegúrese de respetar las marcas de polaridad más y menos al instalar la pila. Recomendamos utilizar una pila tipo Duracell MN 1604 con este dispositivo. Aunque pueden utilizarse pilas Ni-Cad recargables, este tipo de pilas no suministran la corriente adecuada durante más de cuatro horas. **ADVERTENCIA:** No inserte la pila hacia atrás, ya que en ese caso el HT6 podría sufrir daños importantes y se anularía la garantía.
- 5. Marcas de Canal** – Número impreso correspondiente al canal apropiado en el receptor SR466.



Guía de puesta en marcha

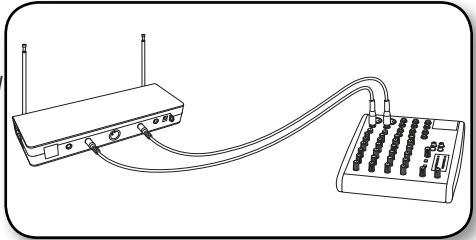
Siga los procedimientos básicos que se indican a continuación para la configuración y el uso de su Sistema Inalámbrico Stage Serie 466.

1. Conecte el adaptador de potencia del receptor SR466 a la entrada de CC del panel posterior del aparato y, a continuación, a una toma eléctrica.

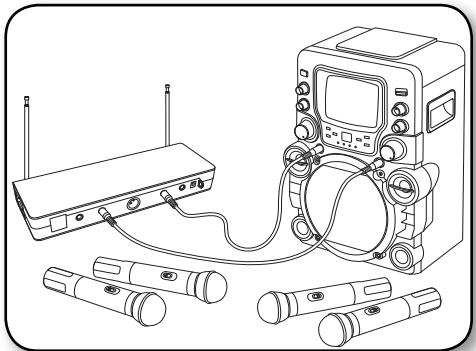


2. Conecte las salidas de 1/4" apropiadas del receptor a la entrada de una mezcladora, estéreo, aparato de karaoke o cualquier otra entrada de nivel de línea (ver la información que se ofrece más adelante). Si el número de canales de entrada es limitado, conecte la salida XLR a la entrada XLR de una mezcladora para una salida combinada mixta de los cuatro receptores.

Utilice los dos cables 1/4" a 1/4" incluidos para conectar el receptor SR466 a una mezcladora. Cada salida enviará una señal mixta de un par de receptores, Canal 1 y 2 y Canal 3 y 4. Para el control individual de cada receptor, conecte cuatro cables 1/4" a 1/4" desde el receptor SR466 a cuatro canales de entrada de una mezcladora.



Utilice los cables 1/4" a 1/4" incluidos para conectar el receptor SR466 a un aparato de karaoke.



ENGLISH

FRANÇAIS

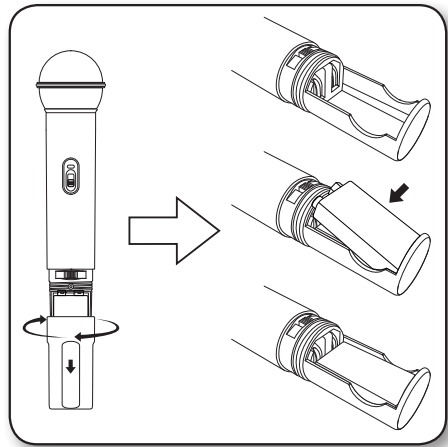
DEUTSCHE

ESPAÑOL

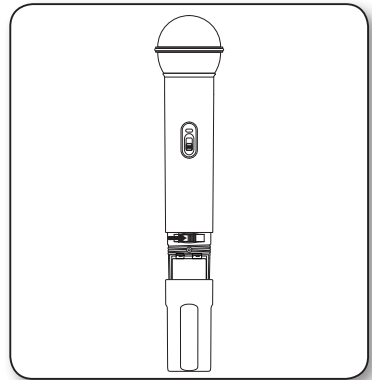
ITALIANO

Guía de puesta en marcha

3. Sujete la sección superior del transmisor HT6 y gire la sección inferior deslizándola hacia abajo para dejar al descubierto el compartimento de la pila. Inserte una pila alcalina de 9 voltios estándar asegurándose de respetar las marcas de polaridad más y menos.



4. Encienda el transmisor HT6 deslizando el interruptor de ALIMENTACIÓN hacia la derecha y coloque de nuevo la sección inferior en su posición correcta.

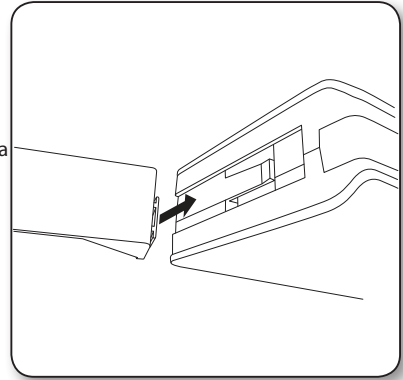


5. Coloque el receptor SR466 en el lugar en el que vaya a utilizarse (la regla general consiste en mantener la "línea de visión" entre el receptor y los transmisores de manera que la(s) persona(s) que utilice(n) el transmisor puedan ver el receptor). Conecte la alimentación del receptor SR466.
6. Encienda el amplificador y/o la mezcladora conectado(s), pero mantenga el volumen en el nivel mínimo. A continuación, asegúrese de que su transmisor no esté silenciado colocando el interruptor de Audio en la posición de ON (arriba). A continuación, gire el mando de Control de Volumen del SR466 totalmente en el sentido de las agujas del reloj; este ajuste corresponde a la ganancia unitaria. Hable o cante al micrófono con un nivel de representación o actuación normal subiendo del mismo tiempo el volumen de su amplificador/mezcladora gradualmente hasta alcanzar el nivel deseado.

Instalación con Montaje en Rack

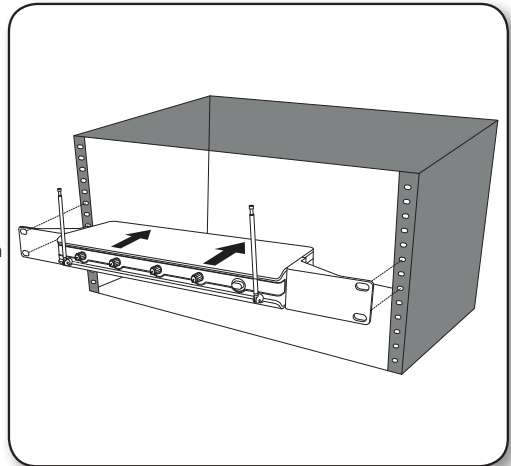
El receptor SR466 puede instalarse en un rack estándar de 19 pulgadas tanto para el transporte como para la instalación permanente utilizando las orejetas de montaje incluidas. Para el montaje en rack del SR466 siga los pasos sencillos que se indican a continuación:

Fije las orejetas de montaje incluidas deslizando cada una de ellas para introducirla en la ranura de uno de los lados del SR466 hasta que quede bloqueada en su posición y nivelada con el panel frontal.



Coloque el receptor SR466 en un espacio de rack disponible deslizándolo para instalarlo hasta que las orejetas de montaje estén en contacto con los rieles del bastidor del rack y estén alineadas con los agujeros de los rieles del rack.

Monte el receptor en el rack utilizando tornillos de rack del tamaño adecuado (no incluidos). Con el fin de asegurarse de que la tensión sea uniforme y el conjunto esté equilibrado al instalar el receptor, apriete los tornillos en el orden que se indica a continuación: esquina superior izquierda -> esquina inferior derecha -> esquina superior derecha -> esquina inferior izquierda.



ENGLISH

FRANÇAIS

DEUTSCHE

ESPAÑOL

ITALIANO

Especificaciones técnicas

ESPECIFICACIONES GENERALES DEL SISTEMA

Frecuencia de Funcionamiento	VHF 173,80 MHz a 213,20 MHz
Número de Canales	Canal Fijo Estabilidad de Frecuencia $\pm 0,005\%$
Modo de Modulación	FM
Desviación Máxima	± 15 kHz Rango Operativo 250' (línea de visión)
Rango de Temperatura de Funcionamiento	40° F (4° C) a 104° F (40° C) Respuesta de Frecuencia
cuencia	80 Hz a 15 kHz

ESPECIFICACIONES DEL RECEPTOR SR466

Rechazo de Imagen	30 dB Rango Dinámico 95,5 dB Salida
Máxima	900mV
Sensibilidad	10 dB μ V para 48 dB S/N
Conectores de Salida	Cuatro – jack telefónico ("mono") 1/4"TS; XLR balanceado
Niveles de Salida de Audio	-10dB no balanceado (conector telefónico 1/4"); +4dBu balanceado (conector XLR)
Alimentación	100-240V CA (50/60 Hz) a 12V CC 0,5A
Dimensiones	12,2" x 4,3" x 1,75" 309 mm x 111 mm x 44 mm
Peso Neto	1 libra 0,6 kg

ESPECIFICACIONES DEL TRANSMISOR MANUAL HT6

Salida de Potencia de RF	10 mW
Elemento de Micrófono	H6 Dinámico Unidireccional
Vida Típica de la batería (Pila alcalina de 9V)	9 horas
Consumo de Corriente	30 mA típico
Dimensiones	$\varnothing 2,1" \times 9,3"$ $\varnothing 52.6$ mm x 235.5 mm
Peso Neto	0,4 libras 0,18 kg

Resolución de problemas

Problema	Soluciones
No Hay Audio	Encienda el transmisor HT6 utilizando el interruptor ON/OFF (Encendido/Apagado) de la Alimentación
	Compruebe que la pila del transmisor HT6 esté bien instalada.
	Compruebe que el interruptor ON/OFF (Encendido/Apagado) del Audio del HT6 esté en la posición de ON.
	Compruebe que el adaptador del SR466 esté conectado correctamente y enchufado a una toma eléctrica.
	Encienda el receptor SR466.
	Asegúrese de que las conexiones de entrada y salida de audio del SR466 estén conectadas correctamente.
	Compruebe que el receptor SR466 y los transmisores HT6 estén situados de manera que se mantenga la línea de visión entre ellos.
	Compruebe los controles de nivel del dispositivo de la entrada de audio y el receptor.
Audio Distorsionado	Compruebe el nivel de la salida del receptor y el nivel del dispositivo de la entrada de audio.
	Compruebe el nivel de la pila del HT6 y reemplácela si fuera bajo.
	Podría haber otro transmisor transmitiendo en el mismo canal. Apague el transmisor que podría estar causando la interferencia.
Pérdidas de Audio	El transmisor podría estar demasiado alejado del receptor. Acérquelo al receptor o reposicione las antenas.
	Retire o evite las fuentes que puedan causar interferencias de RF, como por ejemplo teléfonos celulares, teléfonos inalámbricos, equipos de iluminación, ordenadores, estructuras de metal, etc.
Los Transmisores y el Receptor Están en Diferentes Canales	Póngase en contacto con su revendedor o distribuidor de Samson en busca de asistencia.

Normas FCC y otras regulaciones

Los receptores inalámbricos Samson están certificados bajo las Normas FCC, sección 15 y los transmisores bajo las Normas FCC, sección 74.

La licencia de aparatos Samson queda bajo responsabilidad del usuario y su licenciabilidad depende de la clasificación, aplicación y frecuencia elegidas por el usuario.

NOTA: Se ha verificado que este aparato cumple con los límites establecidos para un dispositivo digital de clase B, de acuerdo a lo establecido en la sección 15 de las Normas FCC. Estos límites han sido diseñados para ofrecer una protección razonable contra las interferencias molestas en instalaciones residenciales. Este aparato genera, usa y puede emitir energía de radiofrecuencias y, si no es instalado y usado de acuerdo con las instrucciones, puede producir interferencias molestas en las comunicaciones de radio. No obstante, no está garantizado que estas interferencias no se produzcan en una instalación concreta. Si este aparato produce interferencias molestas en la recepción de la radio o la televisión, lo cual podrá comprobar fácilmente apagando y encendiendo este aparato, el usuario será el responsable de tratar de corregir dichas interferencias por medio de una o más de las siguientes medidas:

- Reorientar o reubicar la antena receptora.
- Aumentar la separación entre este aparato y el receptor.
- Conectar este aparato a una salida de corriente o regleta distinta a la que esté conectado el receptor.
- Pedir consejo a un técnico especialista en radio/TV.

ATENCIÓN: Cualquier cambio o modificación que no haya sido expresamente aprobado por escrito por el responsable anulará la autorización del usuario para utilizar este aparato.

Este dispositivo cumple con la Norma RSS-210 de Industry & Science Canada. Su funcionamiento está sujeto a las dos condiciones siguientes:

(1) este aparato no puede producir interferencias molestas y (2) este aparato debe aceptar cualquier interferencia recibida, incluyendo aquellas que puedan producir un funcionamiento no deseado.

Istruzioni importanti sulla sicurezza



ATTENTION RISQUE D'ÉLECTROCUTION ! NE PAS OUVRIR !

ATTENZIONE PER RIDURRE IL PERICOLO DI SCOSSE ELETTRICHE NON RIMUOVERE LA COPERTURA SUPERIORE (O LA SEZIONE POSTERIORE). ALL'INTERNO NON CI SONO PARTI RIPARABILI DALL'UTENTE. PER LE RIPARAZIONI, RIVOLGERSI A PERSONALE QUALIFICATO.



Il simbolo del fulmine con la punta a freccia all'interno di un triangolo equilatero è da intendersi come avvertimento della presenza di voltaggio pericoloso non isolato all'interno dello chassis del prodotto, che potrebbe essere di intensità sufficiente per costituire un rischio di scosse elettriche.



Il simbolo del punto esclamativo all'interno di un triangolo equilatero segnala la presenza di importanti istruzioni operative e di manutenzione nei documenti che accompagnano il prodotto.

AVVERTIMENTO

PER EVITARE IL RISCHIO DI INCENDI O SCOSSE ELETTRICHE. UTILIZZARE QUESTA SPINA ESCLUSIVAMENTE CON PROLUNGHE E PRESE IN CUI LE LAME POSSANO ESSERE INSERITE COMPLETAMENTE, PER EVITARE CHE RESTINO ESPOSTE. PER EVITARE IL RISCHIO DI INCENDI O SCOSSE ELETTRICHE. NON ESPORRE L'UNITÀ A PIOGGIA O UMIDITÀ. PER EVITARE IL RISCHIO DI SCOSSE ELETTRICHE, FAR COMBACCIARE LA LAMA LARGA DELLA SPINA ALLO SLOT LARGO E INSERIRLA COMPLETAMENTE.

THIS DEVICE COMPLIES WITH PART 15 OF THE FCC RULES CLASS B. OPERATION IS SUBJECT TO THE FOLLOWING TWO CONDITIONS: (1) THIS DEVICE MUST NOT CAUSE HARMFUL INTERFERENCE, AND (2) THIS DEVICE MUST ACCEPT ANY INTERFERENCE RECEIVED INCLUDING INTERFERENCE THAT MAY CAUSE UNDESIRED OPERATION. SUITABLE FOR HOME OR OFFICE USE.



If you want to dispose this product, do not mix it with general household waste. There is a separate collection system for used electronic products in accordance with legislation that requires proper treatment, recovery and recycling.

Private household in the 25 member states of the EU, in Switzerland and Norway may return their used electronic products free of charge to designated collection facilities or to a retailer (if you purchase a similar new one).

For Countries not mentioned above, please contact your local authorities for a correct method of disposal.

By doing so you will ensure that your disposed product undergoes the necessary treatment, recovery and recycling and thus prevent potential negative effects on the environment and human health.

Istruzioni importanti sulla sicurezza

1. Leggere queste istruzioni,
2. Conservare queste istruzioni,
3. Rispettare tutti gli avvertimenti.
4. Seguire le istruzioni.
5. Non usare l'unità in prossimità di acqua.
6. Pulire solamente con un panno asciutto.
7. Non ostruire nessuna apertura per l'aerazione. Installare l'unità secondo le istruzioni del produttore.
8. Non installare l'unità in prossimità di fonti di calore come termosifoni, bocchette di riscaldamento, forni o altri apparati (inclusi gli amplificatori) che producono calore.
9. Non annullare l'obiettivo di sicurezza delle spine polarizzate o con messa a terra. Le spine polarizzate hanno due lame, una più larga dell'altra. Una spina con messa a terra ha due lame e un terzo polo di terra. La lama larga o il terzo polo è presente per la sicurezza dell'utente. Se la spina fornita non è adatta alla propria presa, consultare un elettricista per la sostituzione della spina.
10. Posizionare il cavo di alimentazione in modo che non possa essere calpestato o compresso, specialmente in prossimità di spine e alloggiamenti e nel punto di uscita dall'unità.
11. Usare solo dispositivi opzionali/accessori specificati dal produttore.
12. Usare solo carrelli, supporti, cavalletti, sostegni o tavoli specificati dal produttore o acquistati con l'apparecchio. Quando si usa un carrello, prestare attenzione durante gli spostamenti onde evitare che la combinazione carrello/unità possa ribaltarsi.
13. Scollegare l'unità dalla corrente durante i temporali o quando inutilizzata per lunghi periodi.
14. Per l'assistenza tecnica rivolgersi a personale qualificato. L'assistenza tecnica è necessaria nel caso in cui l'unità sia danneggiata, per esempio in caso di danni al cavo di alimentazione o alla spina, rovesciamento di liquidi o caduta di oggetti nell'unità, esposizione alla pioggia o all'umidità, o se l'unità non funziona correttamente o è stata fatta cadere.
15. Non esporre l'unità a gocce o spruzzi d'acqua e non appoggiare sull'unità alcun oggetto contenente liquidi, per esempio vasi.
16. Attenzione: per evitare il rischio di scosse elettriche, far combaciare la lama larga della spina allo slot largo e inserirla completamente.
17. Mantenere uno spazio adeguatamente areato attorno all'unità.
18. L'adattatore a presa diretta viene utilizzato come dispositivo di scollegamento, pertanto deve essere facilmente raggiungibile.
19. Le batterie (il battery pack o le batterie installate) non devono essere esposte a un calore eccessivo, per esempio luce solare diretta o fiamme.



Indice

Introduzione	54
Controlli e funzioni del ricevitore SR466	55
Controlli e Funzioni del Trasmettitore HT6	56
Avvio Rapido	57
Installazione su Supporto Rack	59
Specifiche	60
Risoluzione dei problemi.	61

ENGLISH

FRANÇAIS

DEUTSCHE

ESPAÑOL

ITALIANO

Introduzione

Congratulazioni per l'acquisto del sistema di microfonia wireless a quadruplo canale Samson Stage v466! Il sistema Stage v466 è la soluzione perfetta per qualsiasi applicazione che richieda la performance congiunta di quattro persone. Il sistema comprende il ricevitore SR466 a quadruplo canale, con uscite single e mixate. Sono anche compresi 4 trasmettitori a microfono HT6 handheld.

Con il sistema Stage v466 si potrà avere un'ottima qualità sonora, con ricezione nitida, e con la possibilità di camminare liberamente nel proprio ambiente. Per qualsiasi applicazione audio dal vivo (karaoke, recite scolastiche, conferenze, luoghi di culto...), lo Stage v466 è lo strumento ideale per ogni necessità di sistema di microfonia wireless a canale quadruplo. Il sistema Stage v466 offre sempre eccezionali prestazioni e affidabilità.

Anche se questo prodotto è progettato per un funzionamento intuitivo, raccomandiamo di riservare un po' di tempo a leggere queste pagine per sapere come abbiamo implementato un certo numero di funzioni particolari, e per avere istruzioni passo-passo su come impostare il sistema. Se lo Stage v466 è stato acquistato negli Stati Uniti, si troverà acclusa una scheda di garanzia. Per poter ricevere supporto tecnico online, e per consentirci l'invio di informazioni aggiornate su questo e altri prodotti Samson, raccomandiamo di compilare questa scheda e inviarcela per posta. Per informazioni complete sulla nostra linea di prodotti, rimandiamo inoltre al nostro sito Web, all'indirizzo www.samsontech.com.

È opportuno registrare il numero di serie dell'apparecchio nello spazio che segue, per riferimento futuro.

Numero di serie: _____

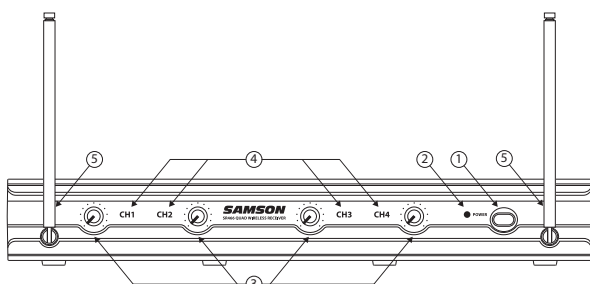
Data di acquisto: _____

Qualora l'unità dovesse richiedere un intervento di riparazione, prima di inviare l'unità a Sampson si deve ottenere un numero di autorizzazione all'invio (Return Authorization). In mancanza di questo numero, l'unità non verrà accettata. Per ottenere il numero di autorizzazione, si prega di contattare telefonicamente Samson al numero 1-800-372-6766. Si prega inoltre di conservare il materiale d'imballaggio originale e, se possibile, spedire l'unità nel suo cartone originale. Se il prodotto è stato acquistato al di fuori degli Stati Uniti, rivolgersi al proprio distributore locale per le informazioni sulla garanzia e l'assistenza.

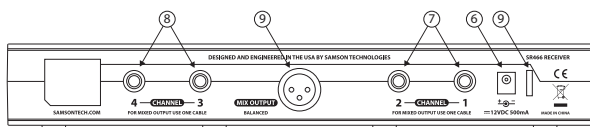
Caratteristiche

- Sistema microfonico professionale wireless quad-handheld.
- Facile da installare e usare.
- Circuiteria a supereterodina per una ricezione nitida e affidabile.
- Controlli livello singoli per ciascun canale ricevitore.
- Quattro uscite audio 1/4" per coppie di canali singole o mixate.
- Uscita XLR mixata per tutti e quattro i canali.
- Portata operativa eccezionale: 250' in linea di vista.
- Quattro trasmettitori HT6 handheld con durata batteria fino a nove ore.

Controlli e funzioni del ricevitore SR466



- 1. Interruttore ON/OFF** - Da premere per accendere o spegnere il ricevitore.
- 2. Indicatore di accensione** - Si illumina in rosso quando il ricevitore è acceso.
- 3. Controlli Volume (Canali 1-4)** - Da ruotare per regolare il singolo livello di uscita audio di ciascun ricevitore di canale.
- 4. Indicatori RF (Canali 1-4)** - Si illuminano in verde quando il trasmettitore a microfono HT6 corrispondente viene acceso, e vi è un segnale wireless rilevato dal ricevitore.
- 5. Antenna** - Il supporto antenna consente una completa rotazione, per ottenere la disposizione ottimale. Durante il funzionamento normale, entrambe le antenne devono essere collocate verticalmente. Le antenne possono essere ripiegate all'interno per comodità quando l'SR466 deve essere trasportato.

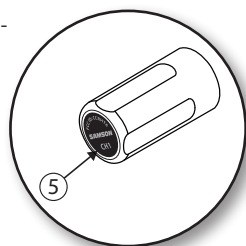
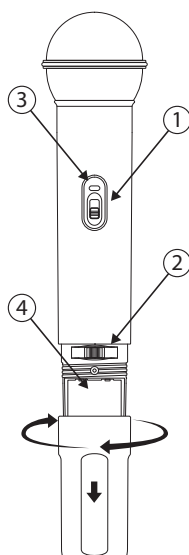


- 6. Ingresso DC** - Connettere qui l'alimentatore in dotazione a 12-volt, 500 mA.
ATTENZIONE: l'uso di qualsiasi altro tipo di alimentatore può danneggiare gravemente l'SR466 e annullare la garanzia.
- 7. Uscite Canali 1 e 2** - Usare questi jack non bilanciati da 1/4" per connettere i ricevitori di Canale 1 e Canale 2 dell'SR466 all'ingresso di linea di un mixer, amplificatore o altro apparecchio audio. Per le singole uscite, inserire entrambi i jack; per un segnale mixato di entrambi i ricevitori di Canale 1 e Canale 2, inserire la spina solo di una delle uscite.
- 8. Uscite Canali 3 e 4** - Usare questi jack non bilanciati da 1/4" per connettere i ricevitori di Canale 3 e Canale 4 dell'SR466 all'ingresso di linea di un mixer, amplificatore o altro apparecchio audio. Per le singole uscite, inserire entrambi i jack; per un segnale mixato di entrambi i ricevitori di Canale 3 e Canale 4, inserire la spina solo di una delle uscite.
- 9. Uscita Mixata** - Questo jack bilanciato XLR è l'uscita mixata di tutti e Quattro I ricevitori per la connessione a un ingresso di linea di un mixer, amplificatore o altro apparecchio audio. Tale uscita può essere usata quando non sono necessari mixaggio o equalizzazione individuale aggiuntiva per ciascun canale.
- 10. Allentatore di tensione del cavo di alimentazione** - Fare un'ansa del cavo di alimentazione attraverso l'allentatore di tensione per impedire che la spina possa staccarsi accidentalmente dal ricevitore.



Controlli e Funzioni del Trasmettitore HT6

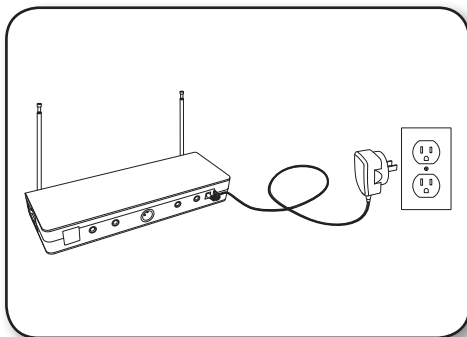
- 1. Interruttore Audio ON/OFF** - Quando è in posizione ON, viene trasmesso un segnale audio. Quando è in posizione OFF, il segnale audio viene silenziato. Si noti che lo spostamento di questo interruttore in posizione OFF non si spegne il trasmettitore: è semplicemente un modo per silenziare la trasmissione del segnale audio. Quando si prevede di non utilizzare il trasmettitore per un po' di tempo, è meglio spegnere il trasmettitore usando il trasmettitore l'interruttore ON/OFF (si veda#2 di seguito).
- 2. Interruttore ON/OFF** - Questo interruttore si usa per accendere o spegnere l'HT6 (per conservare la carica della batteria, accertarsi di lasciarlo su OFF quando l'apparecchio non è in uso). Accertarsi di silenziare il segnale audio del mixer o amplificatore esterno prima di accendere il trasmettitore; in caso contrario si potrebbe avvertire un fastidioso rumore di schiocco
- 3. Indicatore di accensione** - Il LED si illumina in verde quando il trasmettitore viene acceso.
- 4. Scomparto batteria** - Inserire qui una batteria alcalina standard da 9 volt. Quando si inserisce la materia, prestare attenzione alla polarità (segni + e -). Per l'uso di questo dispositivo, si raccomandano pile di tipo Duracell MN 1604. Per quanto possano essere anche utilizzate batterie ricaricabili Ni-Cd, si deve tenere presente che queste non erogano una corrente adeguata per più di quattro ore.
ATTENZIONE: Non inserire la pila al contrario: facendolo, si potrebbe danneggiare gravemente l'HT6 e annullare la garanzia.
- 5. Marcatura di Canale** - Il numero stampato corrisponde al canale appropriato sul ricevitore SR466.



Avvio Rapido

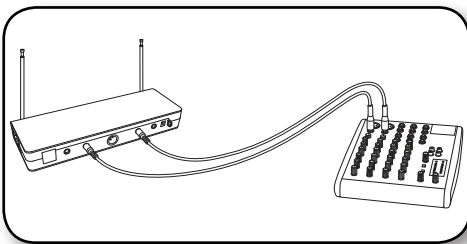
Per impostare e usare il sistema wireless Stage v466, attenersi a questa procedura di base.

1. Connettere l'adattatore di alimentazione del ricevitore SR466 all'ingresso DC sul pannello posteriore, e quindi a una presa elettrica.

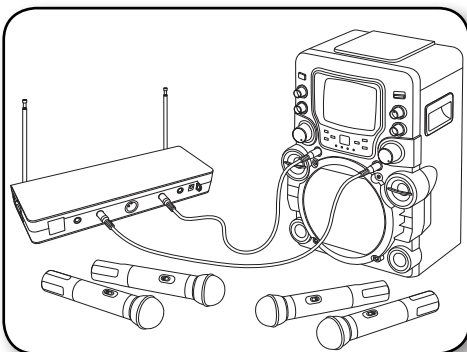


2. Connettere le appropriate uscite 1/4" del ricevitore all'ingresso di mixer, stereo, karaoke machine, o qualsiasi altro ingresso a livello di linea (si veda di seguito). Se vi è un numero limitato di canali di ingresso, connettere l'uscita XLR all'ingresso di un mixer per un'uscita combinata e mixata di tutti e quattro i ricevitori.

Usare i due cavi inclusi (da 1/4" a 1/4") per connettere a un mixer il ricevitore SR466. Ciascuna uscita invierà un segnale mixato di una coppia di ricevitori: Canale 1 e 2 e Canale 3 e 4. Per il controllo individuale di ciascun ricevitore, connettere quattro cavi (da 1/4" a 1/4") dal ricevitore SR466 a quattro canali di ingresso su un mixer.



Usare i cavi inclusi (da 1/4" a 1/4") per connettere il ricevitore SR466 alla karaoke machine.



ENGLISH

FRANÇAIS

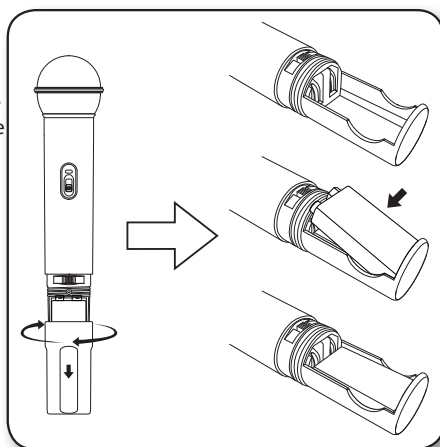
DEUTSCHE

ESPAÑOL

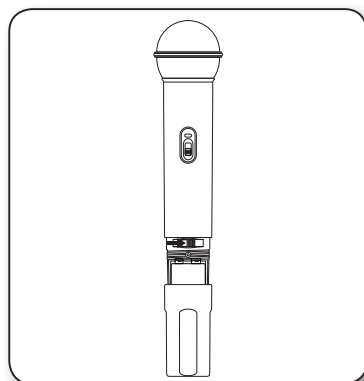
ITALIANO

Avvio Rapido

3. Tenendo la parte superiore del trasmettitore HT6, ruotare la parte inferiore e farla scorrere in giù per aprire il vano batterie. Inserire una pila alcalina standard da 9 volt, facendo bene attenzione a rispettare i simboli di polarità.



4. Reinscrivere la parte inferiore e accendere il trasmettitore HT6 facendo scorrere il cursore POWER verso destra.

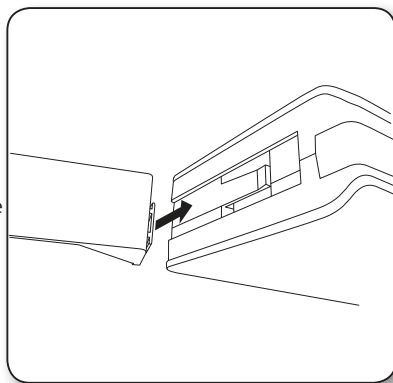


5. Collocare il ricevitore SR466 laddove si prevede di usarlo (la regola generale prevede di mantenere la "linea di vista" tra il ricevitore e trasmettitori in modo che le persone che usano il trasmettitore possano vedere fisicamente il ricevitore). Accendere il ricevitore SR466.
6. Accendere l'amplificatore e/o il mixer collegati, ma con il volume completamente abbassato. Successivamente, verificare che il trasmettitore non sia silenziato mettendo il suo interruttore audio in posizione ON. Quindi, ruotare completamente in senso orario il pomello di controllo volume sull'SR466 (per regolare il guadagno dell'unità). Parlare o cantare nel microfono a un livello di voce normale e al tempo stesso incrementare lentamente il volume dell'amplificatore/mixer fino a raggiungere il livello desiderato.

Installazione su Supporto Rack

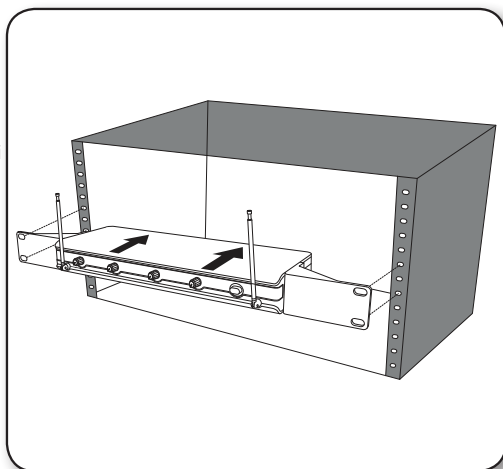
Il ricevitore SR466 può essere installato in un 19" standard, per il trasporto o l'uso permanente, utilizzando gli attacchi di ancoraggio inclusi del rack. Per montare su rack il ricevitore SR466, seguire i semplici passi seguenti:

Fissare gli attacchi inclusi del rack RK466 facendo scorrere ciascun attacco di ancoraggio nella scanalatura sui due lati dell'SR466 fino a che l'attacco rimane bloccato al suo posto, a filo con il pannello frontale.



Posizionare il ricevitore SR466 nello spazio disponibile del rack e farlo scorrere fino a che gli attacchi di ancoraggio toccano le rotaie dell'alloggiamento del rack e sono allineati con i fori della rotaia del rack.

Montare il ricevitore nel rack, usando viti di dimensioni appropriate (non incluse). Per assicurare uguale tensione ed equilibrio quando si installa il ricevitore, si devono stringere le viti secondo uno schema incrociato di angoli opposti: in alto a sinistra -> in basso a destra -> in alto a destra -> in basso a sinistra.



ENGLISH

FRANÇAIS

DEUTSCHE

ESPAÑOL

ITALIANO

Specifiche

SPECIFICHE COMPLESSIVE DI SISTEMA

Frequenza di funzionamento	VHF da 173.80 MHz a 213.20 MHz
Numero di canali	Fisso
Stabilità frequenza Canale	±0.005% Modalità di modulazione FM
Deviazione massima	±15 kHz
Portata	250' (linea di vista)
Temperatura di funzionamento	da 40° F (4° C) a 104° F
Risposta di frequenza (a 40° C)	da 80 Hz a 15 kHz

SPECIFICHE RICEVITORE SR466

Image Rejection	30 dB
Range dinamico	95.5 dB
Uscita massima	900mV
Sensibilità	10 dBμV per 48 dB S/N
Connettori di uscita	Quattro jack 1/4" TS ("mono") phone;
Livelli di uscita audio bilanciata XLR	-10dB bilanciato (connettore phone 1/4"); +4dBu bilanciato (connettore XLR)
Alimentazione elettrica	100-240V AC (50/60 Hz); 12V DC 0.5A
Dimensioni	12.2" × 4.3" × 1.75" 309 mm × 111 mm × 44 mm
Peso netto	0.6 kg

SPECIFICHE TRASMETTITORE HT6 HANDHELD

Potenza uscita RF	10 mW
Elemento microfono	H6 dinamico unidirezionale
Durata tipica della pila (alcalina 9 volt)	9 ore Consumo di corrente 30 mA
Dimensioni tipiche	Ø2.1" × 9.3" Ø52.6 mm × 235.5 mm
Peso netto	0.18 kg

Risoluzione dei problemi

Problema	Soluzioni
Assenza di audio	Accendere il trasmettitore HT6 con l'interruttore ON/OFF.
	Accertarsi che le batterie del trasmettitore HT6 siano installate correttamente.
	Accertarsi che l'interruttore ON/OFF dell'audio dell'HT6 sia in posizione ON.
	Confermare che l'adattatore SR466 sia correttamente connesso e inserito in una presa elettrica.
	Accendere il ricevitore SR466.
	Accertarsi che l'uscita SR466 e le connessioni di ingresso audio siano assicurate.
	Controllare che il ricevitore SR466 e i trasmettitori HT6 siano reciprocamente in linea di vista.
	Controllare i comandi di livello del ricevitore e del dispositivo di ingresso audio.
Audio distorto	Controllare il livello di uscita dal ricevitore e il livello di ingresso audio.
	Controllare le pile dell'HT6 e sostituirle se esaurite.
	Può essere che un altro trasmettitore stia trasmettendo sullo stesso canale. Spegnerne il trasmettitore che potrebbe essere causa dell'interferenza.
Decadimento di qualità Audio	Il trasmettitore potrebbe essere troppo distante dal ricevitore. Avvicinarlo al ricevitore o riposizionare le antenne.
	Fare in modo di evitare fonti che potrebbero causare interferenze RF, come telefoni cellulari, telefoni cordless, apparecchiature di illuminazione, computer, strutture metalliche, etc.
I trasmettitori e il ricevitore sono sintonizzati su Canali diversi	Rivolgersi al rivenditore o al distributore Samson per l'assistenza.

ENGLISH

FRANÇAIS

DEUTSCHE

ESPAÑOL

ITALIANO

Norme e regolamenti FCC

I ricevitori wireless Samson sono certificati in base alla Parte 15 delle Norme FCC; i trasmettitori sono certificati in base alla Parte 74 delle Norme FCC.

È responsabilità dell'utente ottenere una licenza adeguata per l'uso del prodotto Samson, e il rilascio di tale licenza dipende dalla classificazione dell'utente, dall'applicazione e dalla frequenza scelta,

NOTA: questo apparecchio è stato testato ed è risultato conforme ai limiti stabiliti per i dispositivi digitali di Classe B, ai sensi della Parte 15 delle Norme FCC. I valori limite intendono assicurare ragionevoli margini di protezione dalle interferenze nelle installazioni a carattere residenziale. Questo apparecchio genera, usa e può emettere energia di radiofrequenza e, se non viene installato ed utilizzato secondo il manuale di istruzioni, potrebbe causare interferenze dannose alle comunicazioni radio. Non è tuttavia garantito che non si verifichino interferenze in una particolare installazione. Se questa attrezzatura causa interferenze dannose alla ricezione dei programmi radiofonici o televisivi, fatto verificabile spegnendo e riaccendendo l'attrezzatura, si consiglia all'utente di provare a correggere l'interferenza in uno o più dei modi seguenti:

- riorientare o riposizionare l'antenna di ricezione;
- allontanare l'apparecchio dal ricevitore;
- collegare l'attrezzatura a una diversa presa elettrica in modo che attrezzatura e ricevitore si trovino su circuiti diversi;
- per assistenza, rivolgersi al rivenditore o a un tecnico radiotelevisivo qualificato.

ATTENZIONE: qualsiasi cambiamento o modifica non espressamente approvato dalla parte competente in materia di conformità potrebbe invalidare il diritto dell'utente di utilizzare l'apparecchio.

Questo dispositivo è conforme alla norma RSS-210 di Industry & Science Canada.

Il funzionamento è soggetto alle due seguenti condizioni:

- (1) il dispositivo non può causare interferenze dannose e
- (2) deve accettare qualsiasi interferenza ricevuta, comprese quelle che possono causare un funzionamento indesiderato.

Samson Technologies
45 Gilpin Avenue
Hauppauge, New York 11788-8816
Phone: 1-800-3-SAMSON (1-800-372-6766)
Fax: 631-784-2201
www.samsontech.com