

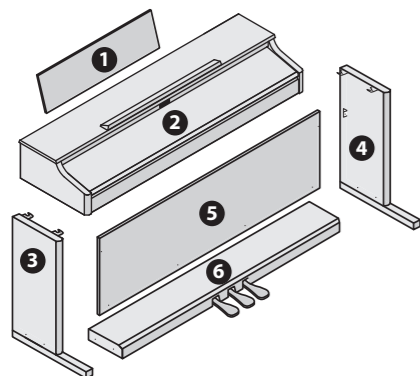
Assembling the RP301



- * To ensure that you assemble this unit correctly, please read this manual carefully before you begin assembly. Keep this manual nearby for reference when needed.
- * Keep this unit horizontal when lifting it during assembly or transport.
- * Be careful not to pinch your hands or drop this unit on your foot during assembly or transport.
- * You must obtain the assistance of at least one additional person when assembling or transporting this unit.
- * Keep small parts such as screws out of the reach of small children to ensure that these items are not swallowed accidentally.
- * The screwdriver needed for assembly is not included. You will need to provide a Phillips screwdriver of the appropriate size for the screws.
- * You should initially tighten each screw loosely before tightening them to their final position. Start by tightening the screws until they are approximately half hidden. Do not use a power screwdriver when tightening the screws to their final position. Doing so may strip the threads.
- * Tighten the screws firmly, and place the unit at a location that is level and sure to remain stable. Never place the unit on a shag carpet. If you do so, the pedal may be unstable, causing damage.
- * Do not place the body of the piano directly on the floor. Doing so will damage the jacks and holders on the bottom of the piano, and also damage the bottom panel case.

Copyright © 2011 ROLAND CORPORATION
All rights reserved. No part of this publication may be reproduced in any form without the written permission of ROLAND CORPORATION.

Check the Parts



- 1 Music rest
- 2 Piano main unit
- 3 Side board (left)
- 4 Side board (right)
- 5 Rear board
- 6 Pedal board

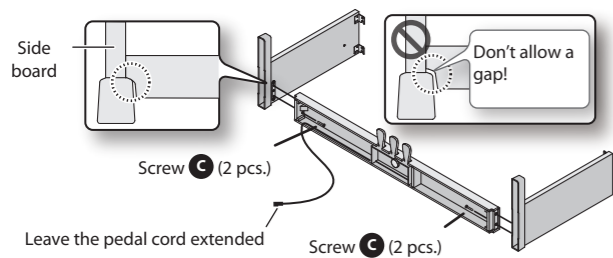
- | | | |
|----------|--|---------------------------|
| A | | Screw (4 x 14 mm): 2 pcs. |
| B | | Screw (4 x 20 mm): 4 pcs. |
| C | | Screw (5 x 40 mm): 4 pcs. |
| D | | Screw (5 x 20 mm): 2 pcs. |
| E | | Screw (4 x 16 mm): 2 pcs. |
| F | | Headphone hook: 1 pcs. |

1. Stand Assembly

- * At first, assemble the entire stand in a temporary fashion, without really tightening the screws. Then, after checking the overall alignment of the boards (and gently shifting certain parts where necessary), go around and tightly fasten each of the screws.
- * If necessary, spread out a blanket or similar material to prevent the stand or floor from being scratched during assembly.
- * Be careful not to pinch the pedal cord during assembly.

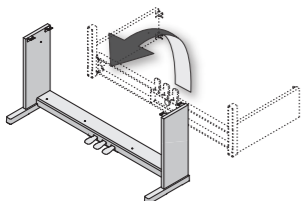
1. As shown in the illustration, place the left and right side boards on the pedal board so that the metal brackets are on the inside, and fasten them provisionally using screws **C** (5 x 40 mm).
2. Hand-tighten screws **C** (four locations), and then use a screwdriver to tighten them securely.

- * When attaching the pedal board, do not allow any gap to remain between the side board and pedal board when the pieces are assembled.



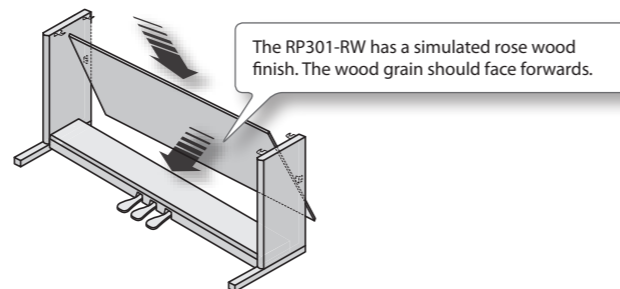
3. With the help of another person, raise the left and right side boards to an upright position.

- * Take care that the pedal boards are not twisted.



4. Place the rear board as shown below and adjust the screw holes of the rear board and the pedal board.

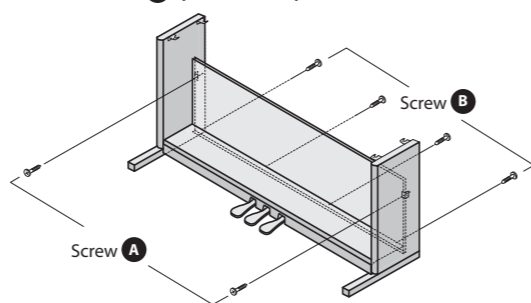
- * If you have difficulty inserting the rear board, loosen screws **C** so it is easier to position the rear board in the stand.



5. Attach the rear board to the metal parts on the side boards from the front using screws **A** (4 x 14 mm).

- For clamping the rear board, press each upper portion of both side boards.

6. Then, fasten it to the pedal board from the back using screws **B** (4 x 20 mm).



7. Go around and tighten all the screws, while at the same time correcting the orientation of any piece that needs it, until everything fits together properly.

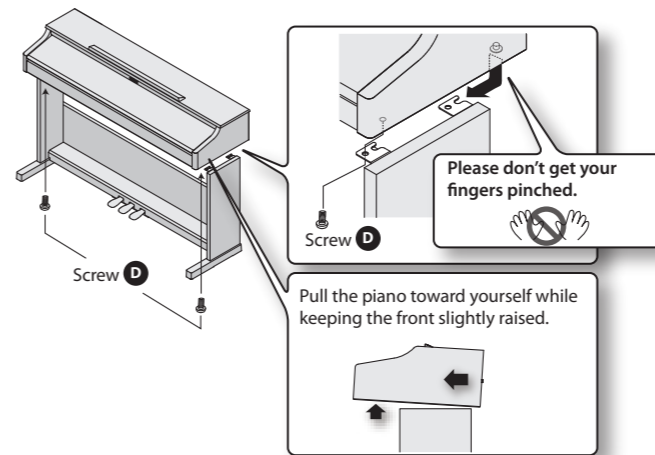
- * When attaching the rear board, before tightening the screws, adjust things as necessary at all the points where there are screws so as to assure that the rear board is aligned in parallel with the pedal board.

2. Assembling the Piano

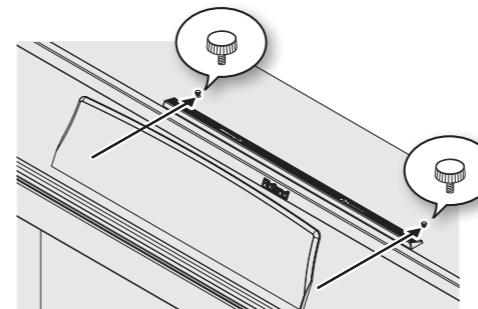
1. Align the screws on the bottom of the piano (one each at left and right) with the metal brackets on the side boards, and while keeping the front of the piano slightly raised, pull it toward yourself to engage the screws in the metal brackets.

- * When handling the piano, firmly grasp it. Be careful, so you do not get your fingers pinched.

2. Fasten the piano to the stand with the screw **D** (5 x 20 mm).



3. Loosen the music rest screws slightly (2–3 mm), insert the music rest brackets between the screws and the body of the piano, and turn the screws to secure the music rest while using one hand to support the music rest.

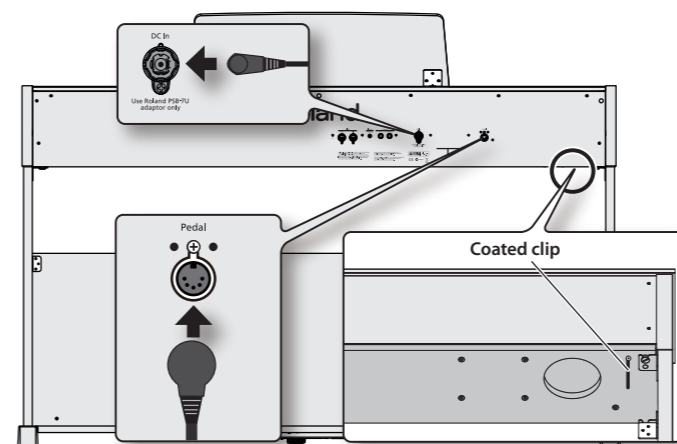


When attaching the music rest, make sure that it is firmly inserted all the way toward the back, and use your hand to support the music rest so that it does not fall. Also take care not to pinch your hand.

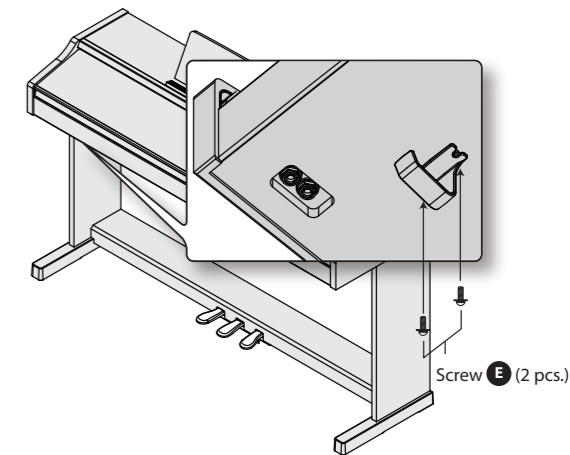
- * Do not apply excessive force to the music rest.

- * If you need to remove the music rest, loosen the screws while using one hand to support the music rest. Detach the music rest, and then firmly retighten the screws.

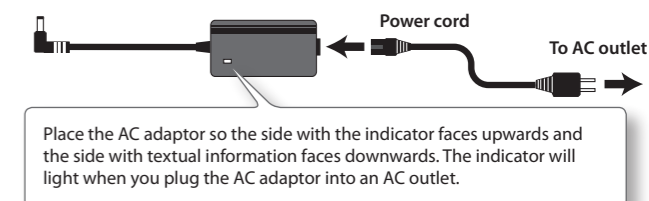
4. Connect the AC adaptor to the DC In jack on the back of the piano, and connect the pedal cord to the Pedal connector. As needed, use the coated clip on the bottom of the piano to fasten the power cord and the pedal cord.



5. Use screws **E** (4 x 16 mm) to fasten the headphone hook.

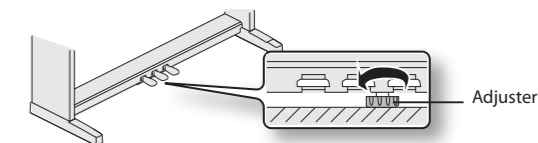


6. Connect the supplied AC adaptor and power cord.



7. Adjust the Adjuster.

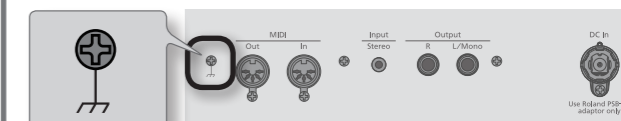
Turn the adjuster to lower it until the adjuster is in firm contact with the floor. In particular, when you've placed the piano on carpet, you must turn the adjuster until it is pressing firmly against the floor.



- * The pedal may be damaged if there is a gap between the adjuster and the floor.

About ground terminal

Depending on the circumstances of a particular setup, you may experience a discomforting sensation, or perceive that the surface feels gritty to the touch when you touch this device. This is due to an infinitesimal electrical charge, which is absolutely harmless. However, if you are concerned about this, connect the ground terminal (see figure) with an external ground. When the unit is grounded, a slight hum may occur, depending on the particulars of your installation. If you are unsure of the connection method, contact the nearest Roland Service Center, or an authorized Roland distributor, as listed on the "Information" page.



Unsuitable places for connection

- Water pipes (may result in shock or electrocution)
- Gas pipes (may result in fire or explosion)
- Telephone-line ground or lightning rod (may be dangerous in the event of lightning)

When moving the unit

If you need to move the unit, you must first detach the music rest, close the keyboard cover, disconnect the AC adaptor, and raise the stand adjuster. With at least one other person helping you, lift the unit horizontally and carry it, taking care not to pinch your hands or drop the unit on your feet.