

MTC-2P Mounting Brackets

for use with

CONTROL[®] 2P

Compact Powered Reference Monitors

MTC-2P Mounting Brackets included in the MTC-2P Mounting Kit are designed to allow safe mounting of Control 2P Compact Powered Reference Monitors and the outboard power supply to a suitable mounting surface.

Francais, Deutsch, Espanol, [information at www.jblpro.com](http://www.jblpro.com)

The MTC-2P Mounting Kit contains the following items:

2 MOUNTING BRACKET ASSEMBLIES

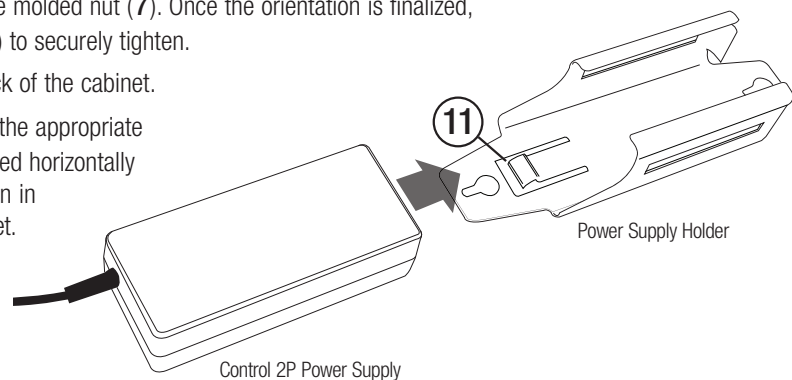
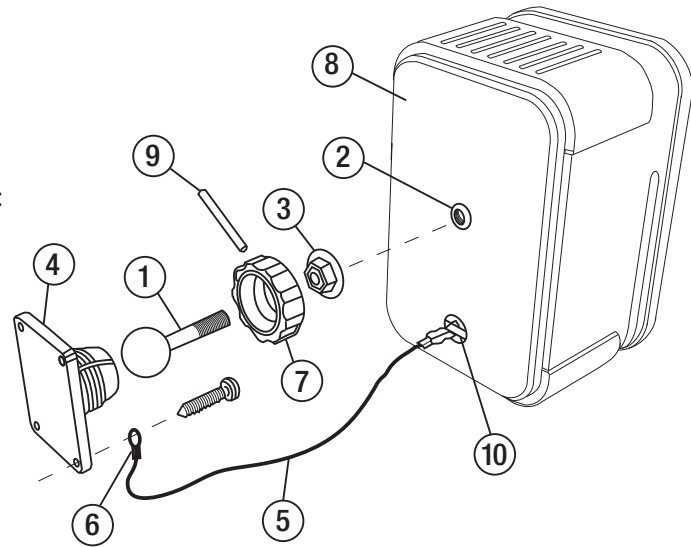
1 POWER SUPPLY HOLDER

1 WRENCH

(Safety Cable not included)

To mount a Control 2P speaker and the power supply follow these instructions:

- A.** Screw the metal rod/ball assembly (1) into the threaded insert (2) on the back of the cabinet (8) until it is seated against the bottom of the insert.
- B.** Next, tighten the "knurled" nut (3) with a small wrench (9) until it is seated against the back of the cabinet. Tighten the nut until it has "locked" the rod/ball assembly (1) to the cabinet. Note: the nut may leave marks on the back of the cabinet where the attachment is made however, the flange of the nut will cover these marks.
- C.** Mount the wall bracket plate (4) onto a flat sturdy surface using the appropriate mounting hardware for the surface. A safety cable (5) (not included) may be attached to the wall bracket via its eyelet (6) at one of the two lower screw mounting points or to a secondary point off the mounting plate.
- D.** Next, slip the large molded nut (7) over the ball on the metal rod/ball assembly (1).
- E.** Holding the cabinet (8) with both hands, insert the ball on the metal rod/ball assembly (1) into the cup of the wall plate (4).
- F.** Orient the speaker into the desired position and hand tighten the molded nut (7). Once the orientation is finalized, use the metal bar (9) in one of the holes on the molded nut (7) to securely tighten.
- G.** Clip the safety cable to the cabinet's safety bar (10) on the back of the cabinet.
- H.** Mount the power supply holder onto a flat sturdy surface using the appropriate mounting hardware for the surface. The holder should be oriented horizontally or vertically with the spring clip (11) on top. Choose a location in proximity to a power outlet so the power cable will reach the outlet.
- I.** Insert the power supply as far as it will go into the holder until the retaining clip (11) prevents removal of the power supply.
- J.** Connect the power cable to the power outlet.



***NOTE:** When MTC-2P Brackets are installed in mobile vehicles, vibration and sudden movement may cause a shift in position, requiring re-adjustment.

***CAUTION:** Unsafe mounting or overhead suspension can result in serious injury and equipment damage. Mounting of speakers should be done by qualified persons in accordance with all applicable local safety and construction standards. Be certain to follow the instructions provided by the manufacturer of the mounting bracket. Before selecting a mounting bracket, be certain it is capable of supporting the weight of the speaker.

JBL Professional Contact Information Mailing Address:

JBL Professional 8500 Balboa Blvd. Northridge, CA 91329

Shipping Address:

JBL Professional 8370 Balboa Blvd., Dock D Northridge, CA 91329

Customer Service:

Monday through Friday | 8:00am - 5:00pm

Pacific Coast Time in the USA

(800) 8JBLPRO (800.852.5776)

www.jblproservice.com

On the World Wide Web:

www.jblpro.com

Outside the USA: Contact the JBL Professional Distributor in your area. A complete list of

JBL Professional international distributors is provided at our U.S.A. website -www.jblpro.com

En Dehors des Etats-Unis: Contacter votre Distributeur JBL Professional. Une liste complète de nos distributeurs internationaux est disponible sur le site web www.jblpro.com

International: Wenden Sie sich an Ihre örtliche JBL Professional Vertretung. Eine vollständige Liste der internationalen JBL-Vertretungen finden Sie auf unserem Website unter www.jblpro.com

Fuera de los Estados Unidos: Comuníquese con el distribuidor de JBL Professional de su zona. En nuestro sitio web, www.jblpro.com, encontrará una lista completa de los distribuidores de JBL International.

8500 Balboa Boulevard
Northridge, CA 91329 USA
Visit us online at www.jblpro.com



Harman International Companies