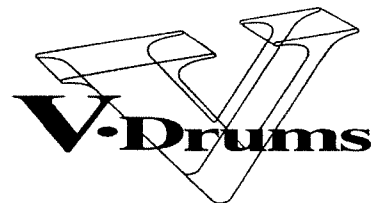


Roland®



KD-120

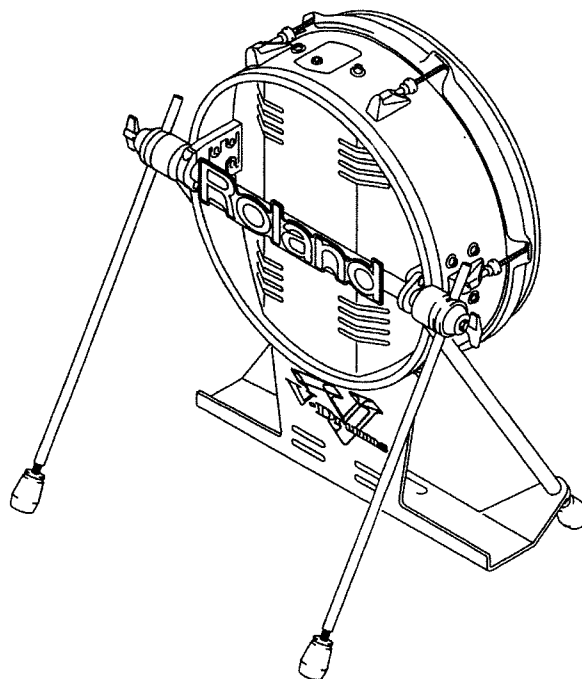
OWNER'S MANUAL

We'd like to take a moment to thank you for purchasing the Roland KD-120.

Before using this unit, carefully read the sections entitled: "USING THE UNIT SAFELY" (p. 2-3) and "IMPORTANT NOTES" (p. 3). These sections provide important information concerning the proper operation of the unit. Additionally, in order to feel assured that you have gained a good grasp of every feature provided by your new unit, Owner's manual should be read in its entirety. The manual should be saved and kept on hand as a convenient reference.

■ CONTENTS

Features	4
Contents of the Package	4
Names of the KD-120 Components	4
Setup	5
Head Adjustment	8
Head Replacement	9
Specifications	10



Copyright © 1998 ROLAND CORPORATION
All rights reserved. No part of this publication may be reproduced in any form without the written permission of ROLAND CORPORATION.

USING THE UNIT SAFELY

INSTRUCTIONS FOR THE PREVENTION OF FIRE, ELECTRIC SHOCK, OR INJURY TO PERSONS

About ⚠ WARNING and ⚠ CAUTION Notices

⚠ WARNING	Used for instructions intended to alert the user to the risk of death or severe injury should the unit be used improperly.
⚠ CAUTION	Used for instructions intended to alert the user to the risk of injury or material damage should the unit be used improperly. * Material damage refers to damage or other adverse effects caused with respect to the home and all its furnishings, as well to domestic animals or pets.

About the Symbols

	The ⚠ symbol alerts the user to important instructions or warnings. The specific meaning of the symbol is determined by the design contained within the triangle. In the case of the symbol at left, it is used for general cautions, warnings, or alerts to danger.
	The ⚡ symbol alerts the user to items that must never be carried out (are forbidden). The specific thing that must not be done is indicated by the design contained within the circle. In the case of the symbol at left, it means that the unit must never be disassembled.
	The ⚡ symbol alerts the user to things that must be carried out. The specific thing that must be done is indicated by the design contained within the circle. In the case of the symbol at left, it means that the power-cord plug must be unplugged from the outlet.

ALWAYS OBSERVE THE FOLLOWING

⚠ WARNING

- Before using this unit, make sure to read the instructions below, and the Owner's Manual.
- Do not open or perform any internal modifications on the unit. (The only exception would be where this manual provides specific instructions which should be followed in order to put in place user-installable options; see p. 5.)
- Do not attempt to repair the unit, or replace parts within it (except when this manual provides specific instructions directing you to do so). Refer all servicing to your retailer, the nearest Roland Service Center, or an authorized Roland distributor, as listed on the "Information" page.
- Never use or store the unit in places that are:
 - Subject to temperature extremes (e.g., direct sunlight in an enclosed vehicle, near a heating duct, on top of heat-generating equipment); or are
 - Damp (e.g., baths, washrooms, on wet floors); or are
 - Humid; or are
 - Dusty; or are
 - Subject to high levels of vibration.

⚠ WARNING

- Make sure you always have the unit placed so it is level and sure to remain stable. Never place it on stands that could wobble, or on inclined surfaces.
- Do not allow any objects (e.g., flammable material, coins, pins); or liquids of any kind (water, soft drinks, etc.) to penetrate the unit.
- In households with small children, an adult should provide supervision until the child is capable of following all the rules essential for the safe operation of the unit.
- Protect the unit from strong impact. (Do not drop it!)

⚠ CAUTION

- Try to prevent cords and cables from becoming entangled. Also, all cords and cables should be placed so they are out of the reach of children. ⚠
- Never climb on top of, nor place heavy objects on the unit. ⚠
- Do not apply excessive force to the sensor (the blue projection) and cushion located under the the head. ⚠
Doing so can interfere with accurate detection, and may damage it.
- Due to the nature of the materials used in the sensor, changes in room temperature and humid may affect the sensitivity of the sensor. ⚠

⚠ CAUTION

- Using a beater made of felt may result in wear to the felt. Use the special included beater or a plastic beater as the beater for the kick pedal. ⚠
- Assemble the KD-120 with care to avoid danger of pinching the fingers. ⚠
- To keep the KD-120 from slipping or moving during play, the tips of the legs installed on the stand are pointed. Handle with care to avoid injury. ⚠

■ IMPORTANT NOTES

In addition to the items listed under “USING THE UNIT SAFELY” on page 2–3, please read and observe the following:

Placement

- Do not expose the unit to direct sunlight, place it near devices that radiate heat, leave it inside an enclosed vehicle, or otherwise subject it to temperature extremes. Excessive heat can deform or discolor the unit.

Maintenance

- For everyday cleaning wipe the unit with a soft, dry cloth or one that has been slightly dampened with water. To remove stubborn dirt, use a cloth impregnated with a mild, non-abrasive detergent. Afterwards, be sure to wipe the unit thoroughly with a soft, dry cloth.
- Never use benzine, thinners, alcohol or solvents of any kind, to avoid the possibility of discoloration and/or deformation.

Additional Precautions

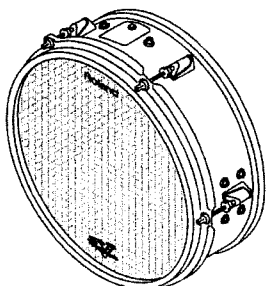
- Use a reasonable amount of care when using the unit’s buttons, sliders, or other controls; and when using its jacks and connectors. Rough handling can lead to malfunctions.
- When connecting / disconnecting all cables, grasp the connector itself—never pull on the cable. This way you will avoid causing shorts, or damage to the cable’s internal elements.

Features

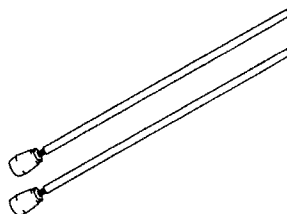
- Kick trigger unit with net material on head for superior playing feel, and quiet response.
- The four-leg stand assures outstanding stability.
- You can also play using a twin (double kick) pedal.

Contents of the Package

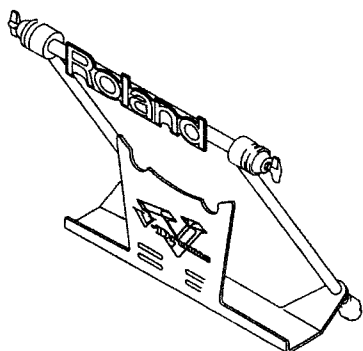
KD-120 Pad



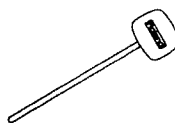
Leg x 2



Stand



Beater



Tuning Key



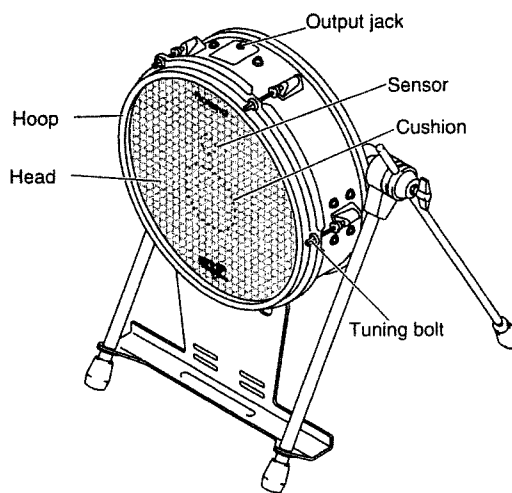
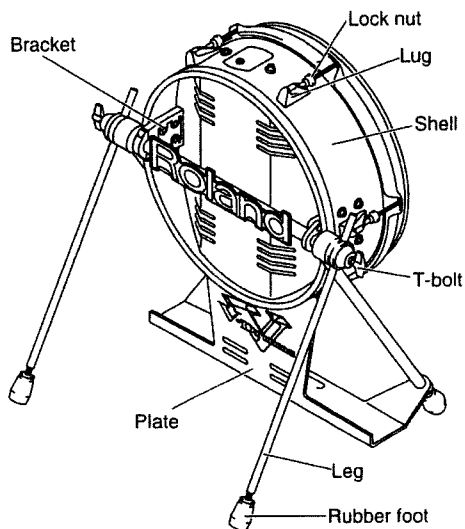
Connection Cable

■ Owner's Manual (this manual)



This package does not include a kick pedal. Use with a commercially available kick pedal installed on the KD-120.

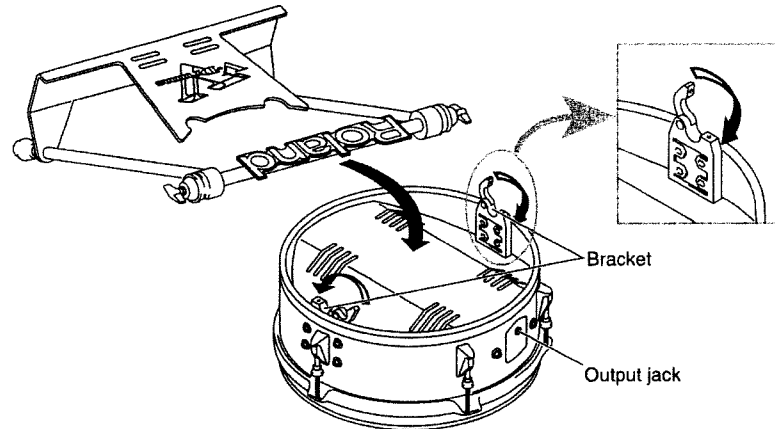
Names of the KD-120 Components



Setup

■ Assembling the KD-120

1. Place the KD-120 pad, with the head surface facing downward, on a flat surface such as the floor.
2. Use the included tuning key to loosen and remove the bolts for the brackets on the back of the KD-120 pad.
3. Mount the stand on the brackets so that the output jack for the KD-120 pad faces up. Use the bolts you removed earlier to secure the KD-120 pad to the stand, tightening the bolts with the included tuning key.



* Take care not to pinch your fingers between the KD-120 pad and the stand plate.

4. Adjust the ends of the legs to match the location where you're installing the KD-120. Adjust to use the spike legs when installing on carpeting or other soft surfaces, or the rubber legs when installing on flooring or other hard surfaces. When shipped from the factory, the stand is adjusted for using the rubber legs. If you're using the rubber legs, proceed to step 5 on the next page.

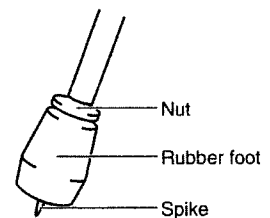
Adjusting for the Spike Legs

1. Loosen the leg nut.
2. Turn the rubber foot to adjust so that the spike portion sticks out from the rubber foot. Adjust the length of the spike to suit the location where installing and the length you prefer.

* The tip of the spike is sharp. Handle it with care.

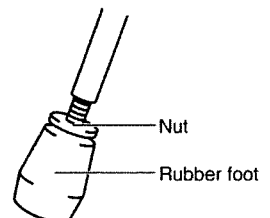
3. Tighten the nut to secure the rubber foot in place and keep it from loosening.

* When using on flooring, the spike legs may damage the floor. Adjust to use the rubber legs.

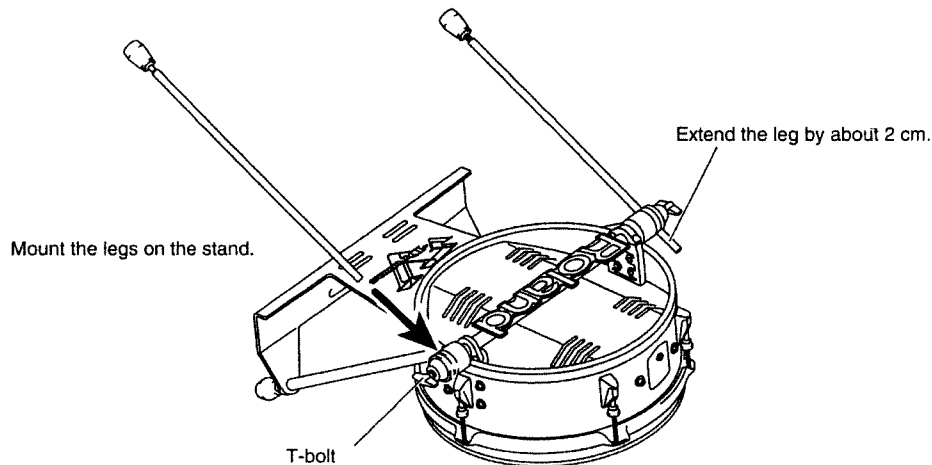


Adjusting for the Rubber Legs

1. Loosen the leg nut.
2. Turn the rubber foot to adjust so that the spike portion does not stick out from the rubber foot.
3. Tighten the nut to secure the rubber foot in place and keep it from loosening.

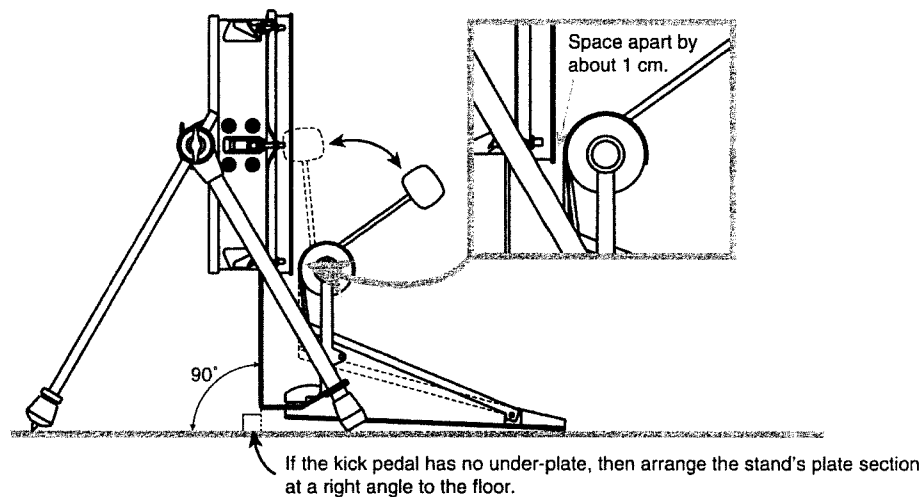


5. Loosen the T-bolts for the stand and mount the legs on the stand.
Install the legs as shown in the figure so that the ends of the legs protrude by about 2 cm.



6. Tighten the T-bolts to secure the legs to the stand.
7. Lift the KD-120 and place the stand and the four legs upright.
8. Adjust the angle of the head surface so that it's at a right angle to the floor.
Use the included tuning key to loosen the bracket bolts you tightened in step 3, and adjust the angle of the KD-120 pad so that the head surface is at a right angle to the floor.
9. Install the included beater on your kick pedal.
10. Mount the kick pedal on the KD-120.

* Make sure there is about 1 cm of space between the two to keep the kick pedal's chain (or belt) from touching the hoop of the KD-120 pad during play. Also, if the kick pedal has no under-plate, then arrange the stand's plate section at a right angle to the floor.

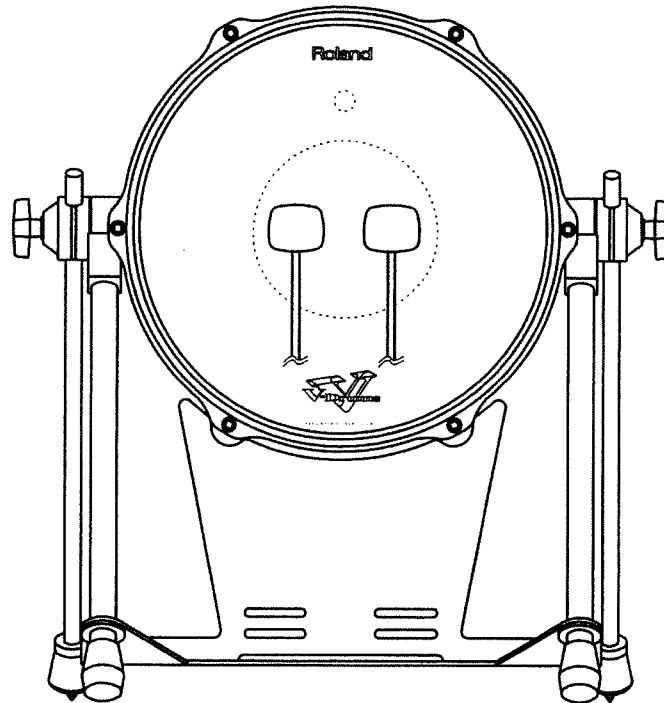


11. Make any fine adjustments necessary and tighten the stand brackets to make sure the KD-120 is secure on the stand.
Make sure the KD-120's four legs and heel portion of the kick pedal is securely on the floor by loosening the stand's T-bolts and adjusting the length of the legs.
12. Adjust the striking point for the beater.
Normally the beater's striking point is adjusted to fall at the center of the head.
Adjust the striking point so that it doesn't extend beyond the cushion on the back of the head.
Moving the striking point closer to the sensor increases the sensitivity, so carry out fine adjustment to suit your preferences.

■ When Using a Twin (Double Kick) Pedal

With the KD-120, you can also play using a twin (double kick) pedal.

Set this up so that the striking points of the two beaters fall at equal distances to the left and right of the center of the head.



* When using a twin (double kick) pedal, as with a regular pedal, use the included beater or a plastic beater as the beater for the kick pedal.

■ Connecting a Drum Sound Module (TD-10/7/5, SPD-20/11, Etc.)

* To Prevent malfunction and/or damage to speakers or other devices, always turn down the volume of all devices when you make connections.

Use the included cable to make connections. When connecting a KD-120, use the supplied stereo cable. Connect the L-shaped plug of the included cable to the KD-120. This will prevent strain from being applied to the KD-120.

Drum sound module	Connection jacks
TD-10	1/KICK
TD-7	1/KICK
TD-5	1/KICK
SPD-20	TRIGGER INPUT 1
SPD-11	EXT INPUT 1

When you're done connecting the KD-120 and the drum sound module, refer to the chart of recommended parameters at the end of this manual to make the settings for the sound module.

Head Adjustment

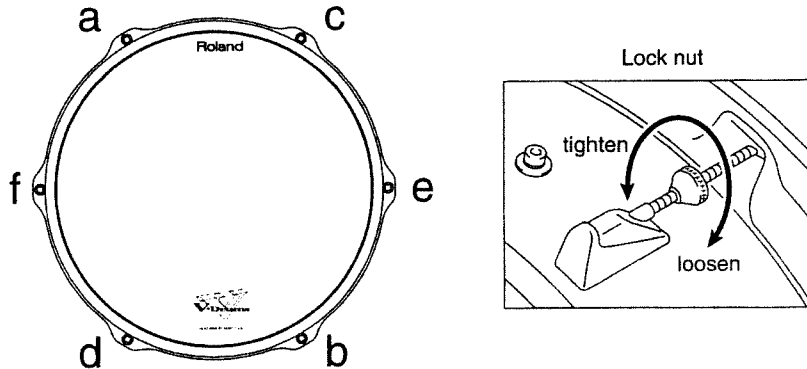
The head tension of the KD-120 can be adjusted.

■ Adjusting the Head Tension

When adjusting, use the included tuning key or the tuning key for your acoustic drums.

In general, a tension that produces a strike response approximately the same as an acoustic bass drum will be appropriate.

* *Head tension that is too loose may not only cause incorrect operation, but may even damage the sensor.*



1. Check the current tension of the head.
2. Remove the kick pedal from the KD-120.
3. Loosen the lock nuts on the tuning bolts.
4. Adjust bolt 'a' in the above diagram. Rotate it clockwise to tighten the head tension, or slightly counterclockwise to loosen the tension.

* *Fully tightening a tuning bolt at only a single location produces uneven tensioning, which may make it impossible to obtain the proper strike sensitivity and may even result in incorrect operation. Be sure to tighten each tuning bolt a little at a time, as described in the above explanation.*
5. Adjust bolt 'b' so that the tension is the same as the tension of 'a'.
6. Next adjust 'c' and 'd', and 'e' and 'f' in the same way.
7. Make sure that the head tension is even, and repeat steps 5 and 6 if you wish to make further adjustments.

* *On the KD-120, adjusting the head tension affects only the head response, and does not change the pitch of the sound as it would on an acoustic drum. To adjust the pitch, edit the sound parameters of the TD-10, TD-7, TD-5, SPD-11, or SPD-20. For details refer to the respective owner's manual.*

* *The head tension will change as the instrument is used, so you should readjust when necessary.*
8. Tighten the lock nuts to prevent loosening of the tuning bolts.
9. Mount the kick pedal on the KD-120.

Head Replacement

■ When the head should be replaced

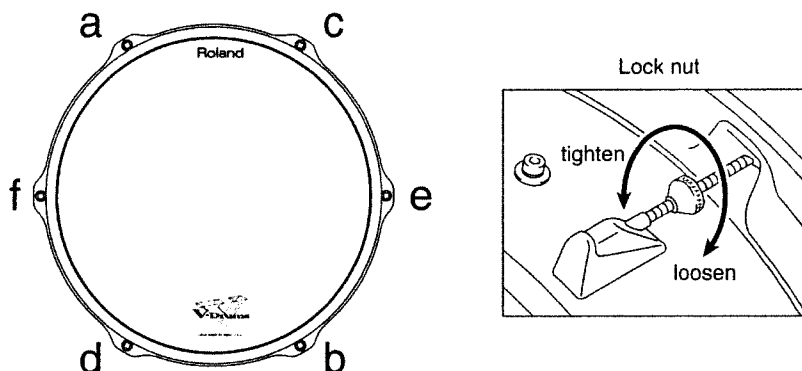
The head is an expendable item that eventually will wear out and need to be replaced. Replace the head when the following occurs:

- The head surface is torn
- Slack portions remain in the head even when the head tension is properly adjusted.

Replacement heads (optional): Mesh Head (MH-12)

■ Replacing the Head

When replacing the head, use the included tuning key or the tuning key for your acoustic drums.



1. Loosen the lock nuts on the tuning bolts.
2. Remove all tuning bolts from the KD-120. Go around and gradually loosen each one in order (by turning it counterclockwise).
3. Remove the hoop.
4. Remove the old head.
5. Place the new head on the shell.
6. Place the hoop onto the head.
7. First lightly tighten bolt 'a' in the above diagram by rotating it clockwise. Then tighten bolt 'b' to about the same force.
8. Now lightly tighten 'c', and then 'd'. Tighten 'e' and 'f' in the same way.
9. Next adjust the tension of the head. Refer to "Adjusting the Head Tension" above.

* Fully tightening a tuning bolt at only a single location produces uneven tensioning, which may make it impossible to obtain the proper strike sensitivity and may even result in incorrect operation. Be sure to tighten each tuning bolt a little at a time, as described in the above explanation.

Specifications

KD-120 (12 inches)

Pad Size: 12 inches

Dimensions: 490 (W) x 400 (D) x 500 (H) mm

19-5/16 (W) x 15-3/4 (D) x 19-11/16 (H) inches

Weight: 7.7 kg

17 lbs

Accessories: Owner's Manual, Connection Cable, Beater, Tuning Key

Options: Mesh Head (MH-12)

** In the interest of product improvement, the specifications and/or appearance of this unit are subject to change without prior notice.*

Information

When you need repair service, call your nearest Roland Service Center or authorized Roland distributor in your country as shown below.

ARGENTINA

Instrumentos Musicales S.A.
Florida 638
(1005) Buenos Aires
ARGENTINA
TEL: (01) 394 4029

BRAZIL

Roland Brasil Ltda.
R. Coronel Octaviano da Silveira
203 05522-010
Sao Paulo BRAZIL
TEL: (011) 843 9377

CANADA

Roland Canada Music Ltd.
(Head Office)
5480 Parkwood Way Richmond
B. C., V6V 2M4 CANADA
TEL: (0604) 270 6626

Roland Canada Music Ltd.
(Toronto Office)
Unit 2, 109 Woodbine Downs
Blvd, Etobicoke, ON
M9W 6Y1 CANADA
TEL: (0416) 213 9707

MEXICO

Casa Veerkamp, s.a. de c.v.
Av. Toluca No. 323 Col. Olivar de
los Padres 01780 Mexico D.F.
MEXICO
TEL: (525) 668 04 80

La Casa Wagner de
Guadalajara s.a. de c.v.
Av. Corona No. 202 S.J.
Guadalajara, Jalisco Mexico
C.P. 44100 MEXICO
TEL: (03) 613 1414

PANAMA

Productos Superiores, S.A.
Apartado 635 - Panama 1
REP. DE PANAMA
TEL: 26 3322

U. S. A.

Roland Corporation U.S.
7200 Dominion Circle
Los Angeles, CA. 90040-3696,
U. S. A.
TEL: (0213) 685 5141

VENEZUELA

Musiland Digital C.A.
Av. Francisco de Miranda,
Centro Parque de Cristal, Nivel
C2 Local 20 Caracas
VENEZUELA
TEL: (02) 285 9218

AUSTRALIA

Roland Corporation
Australia Pty. Ltd.
38 Campbell Avenue
Dee Why West. NSW 2099
AUSTRALIA
TEL: (02) 9982 8266

NEW ZEALAND

Roland Corporation (NZ) Ltd.
97 Mt. Eden Road, Mt. Eden,
Auckland 3, NEW ZEALAND
TEL: (09) 3098 715

CHINA

Beijing Xinghai Musical
Instruments Co., Ltd.
6 Huangmuchiang Chao Yang
District, Beijing, CHINA
TEL: (010) 6774 7491

HONG KONG

Tom Lee Music Co., Ltd.
Service Division
22-32 Pun Shan Street, Tsuen
Wan, New Territories,
HONG KONG
TEL: 2415 0911

INDIA

Rivera Traders Pvt. Ltd.
409, Nirman Kendra,
off Dr. Edwin Moses Road,
Mumbai 400011, INDIA
TEL: (022) 498 3079

INDONESIA

PT Galestra Inti
Kompleks Perkantoran
Duta Merlin Blok E No.6—7
Jl. Gajah Mada No.3—5,
Jakarta 10130,
INDONESIA
TEL: (021) 6335416

KOREA

Cosmos Corporation
Service Station
261 2nd Floor Nak-Won Arcade
Jong-Ro ku, Seoul, KOREA
TEL: (02) 742 8844

MALAYSIA

Bentley Music SDN BHD
140 & 142, Jalan Bukit Bintang
55100 Kuala Lumpur, MALAYSIA
TEL: (03) 2443333

PHILIPPINES

G.A. Yupangco & Co. Inc.
339 Gil J. Puyat Avenue
Makati, Metro Manila 1200,
PHILIPPINES
TEL: (02) 899 9801

SINGAPORE

Swee Lee Company
BLOCK 231, Bain Street #03-23
Bras Basah Complex,
SINGAPORE 180231
TEL: 3367886

CRISTOFORI MUSIC PTE LTD

Blok 3014, Bedok Industrial Park E,
#02-2148, SINGAPORE 489980
TEL: 243 9555

TAIWAN

ROLAND TAIWAN
ENTERPRISE CO., LTD.
Room 5, 9fl. No. 112 Chung Shan
N. Road Sec. 2, Taipei, TAIWAN,
R.O.C.
TEL: (02) 2561 3339

THAILAND

Theera Music Co., Ltd.
330 Verg Nakorn Kasem, Soi 2,
Bangkok 10100, THAILAND
TEL: (02) 2248821

VIETNAM

Saigon music distributor
160 Nguyen Dinh Chieu St. Dist 3
Ho chi minh City
VIETNAM
TEL: 88-242531

BAHRAIN

Moon Stores
Bab Al Bahrain Road,
P.O.Box 20077
State of BAHRAIN
TEL: 211 005

ISRAEL

Halilit P. Greenspoon &
Sons Ltd.
8 Retzif Fa'aliya Hashnya St.
Tel-Aviv-Yahoe ISRAEL
TEL: (03) 682366

JORDAN

AMMAN Trading Agency
Prince Mohammed St. P. O. Box
825 Amman 11118 JORDAN
TEL: (06) 641200

KUWAIT

Easa Husain Al-Yousifi
P.O. Box 126 Safat 13002
KUWAIT
TEL: 5719499

LEBANON

A. Chahine & Fils
P.O. Box 16-5857 Gergi Zeidan St.
Chahine Building, Achrafieh
Beirut, LEBANON
TEL: (01) 335799

OMAN

OHI Electronics & Trading
Co. LLC
P. O. Box 889 Muscat
Sultanate of OMAN
TEL: 959085

QATAR

Badie Studio & Stores
P.O.Box 62,
DOHA QATAR
TEL: 423554

SAUDI ARABIA

Abdul Latif S. Al-Ghamdi
Trading Establishment
Middle East Commercial Center
Al-Khobar Dharan Highway
P.O. Box 3631 Al-Khobar
31952 SAUDI ARABIA
TEL: (03) 898 2332

aDawlah Universal

Electronics APL
P.O.Box 2154 ALKHOBAR 31952,
SAUDI ARABIA
TEL: (03) 898 2081

SYRIA

Technical Light & Sound
Center
Khaled Ibn Al Walid St.
P.O.Box 13520
Damascus - SYRIA
TEL: (011) 2235 384

TURKEY

Barkat Muzik aletleri ithalat
ve ihracat limited ireketi
Sirasevler Cad. Guney Ishani No.
86/6 Taksim, Istanbul TURKEY
TEL: (0212) 2499324

U.A.E

Zak Electronics & Musical
Instruments Co.
Zabeel Road, Al Sheeroq Bldg.,
No. 14, Grand Floor DUBAI
U.A.E.
P.O. Box 8050 DUBAI, U.A.E
TEL: (04) 360715

EGYPT

Al Fanny Trading Office
P.O.Box 2904,
El Horrieh Heliopolis, Cairo,
EGYPT
TEL: (02) 4171828
(02) 4185531

KENYA

Musik Land Limited
P.O. Box 12183 Moi Avenue
Nairobi Republic of KENYA
TEL: (2) 338 346

REUNION

Maison FO - YAM Marcel
25 Rue Jules MermetZL
Chaudron - BP79 97491
Ste Clotilde REUNION
TEL: 28 29 16

SOUTH AFRICA

That Other Music Shop
(PTY) Ltd.
11 Melle Street (Cnr Melle and
Juta Street)
Braamfontein 2001
Republic of SOUTH AFRICA
TEL: (011) 403 4105

Paul Bothner (PTY) Ltd.

17 Werdmuller Centre Claremont
7700
Republic of SOUTH AFRICA
TEL: (021) 64 4030

AUSTRIA

E. Dematte & Co.
Neu-Rum Siemens-Strasse 4
6063 Innsbruck AUSTRIA
TEL: (0512) 26 44 260

BELGIUM/HOLLAND/ LUXEMBOURG

Roland Benelux N. V.
Houtstraat 3 B-2260 Oevel
(Westerlo) BELGIUM
TEL: (014) 575811

BELORUSSIA

TUSHE
UL. Rabkorovskaya 17
220001 MINSK
TEL: (0172) 764-911

CYPRUS

Radex Sound Equipment Ltd.
17 Diagorou St., P.O.Box 2046,
Nicosia CYPRUS
TEL: (02) 453 426

DENMARK

Roland Scandinavia A/S
Langebrogade 6 Post Box 1937
DK-1023 Copenhagen K.
DENMARK
TEL: 32 95 3111

FRANCE

Roland France SA
4, Rue Paul Henri SPAAK
Parc de l'Esplanade F 77 462 St.
Thibault Lagny Cedex FRANCE
TEL: 01 600 73 508

FINLAND

Roland Scandinavia As,
Filial Finland
Lauttasarentie 54 B
Fin-00201 Helsinki, FINLAND
TEL: (9) 682 4020

GERMANY

Roland Elektronische
Musikinstrumente
Handelsgesellschaft mbH.
Oststrasse 96, 22844 Norderstedt,
GERMANY
TEL: (040) 52 60090

GREECE

V. Dimitriadis & Co. Ltd.
20, Alexandras St. & Bouboulinas
54 St. 106 82 Athens, GREECE
TEL: (01) 8232415

HUNGARY

Intermusica Ltd.
Warehouse Area 'DEPOL' Pf.83
H-2046 Torokbalint, HUNGARY
TEL: (23) 511011

IRELAND

The Dublin Service Centre
Audio Maintenance Limited
11 Brunswick Place Dublin 2
Republic of IRELAND
TEL: (01) 677322

ITALY

Roland Italy S. p. A.
Viale delle Industrie, 8
20020 Arese Milano, ITALY
TEL: (02) 937 781

NORWAY

Roland Scandinavia Avd.
Kontor Norge
Lillekerveien 2 Postboks 95
Lilleaker N-0216 Oslo
NORWAY
TEL: 273 0074

POLAND

P. P. H. Brzostowicz Marian
UL. Blokowa 32, 03624 Warszawa
POLAND
TEL: (022) 679 44 19

PORTUGAL

Caius - Tecnologias Audio e
Musica, Lda.
Rue de SANTA Catarina 131
4000 Porto, PORTUGAL
TEL: (02) 38 4456

RUSSIA

Slami Music Company
Sadovaya-Triumfalnaja st., 16
103006 Moscow, RUSSIA
TEL: 095 209 2193

SPAIN

Roland Electronics
de España, S. A.
Calle Bolivia 239 08020 Barcelona,
SPAIN
TEL: (93) 308 1000

SWEDEN

Roland Scandinavia A/S
SWEDISH SALES OFFICE
Danvik Center 28, 2 tr.
S-131 30 Nacka SWEDEN
TEL: (08) 702 0020

SWITZERLAND

Roland (Switzerland) AG
Musitronic AG
Gerberstrasse 5, CH-4410 Liestal,
SWITZERLAND
TEL: (061) 921 1615

UKRAINE

TIC-TAC
Mira Str. 19/108
P.O.Box 180
295400 Mukachevo, UKRAINE
TEL: (03131) 414-40

UNITED KINGDOM

Roland (U.K.) Ltd., Swansea
Office
Atlantic Close, Swansea
Enterprise Park SWANSEA
West Glamorgan SA7 9FJ,
UNITED KINGDOM
TEL: (01792) 700139

Recommended Parameters for Drum Sound Module

* For information on how to change the parameters for a drum sound module, refer to the documentation for the drum sound module you're using.

* The sensitivity of the trigger signal (Sensitivity, Min Dyna, and so on) may need to be adjusted slightly, depending on the striking point for the beater.

TD-10

Trigger Type	K 2
Sensitivity	6
Threshold	0
Curve	Linear
Scan Time	2.0 msec
Retrigger Cancel	6
Mask Time	12
Crosstalk	OFF

TD-7

Max Dyna	3
Min Dyna	3
Min Velo	1
Mask Time	12
Threshold	1

TD-5

TRIG TYPE	K 1
TRIG SENSITIVITY	10
TRIG THRESHOLD	1
TRIG CURVE	Lnr

SPD-20

TRIG SENS	10
TRIG THRESHOLD	1
TRIG TYPE	K 2
TRIG CURVE	0

SPD-11

TRIG SENS	12
TRIG THRESHOLD	1
TRIG MASK TIME	0
TRIG SCAN TIME	20

 Roland®

71234634

UPC 71234634



:099:

Roland