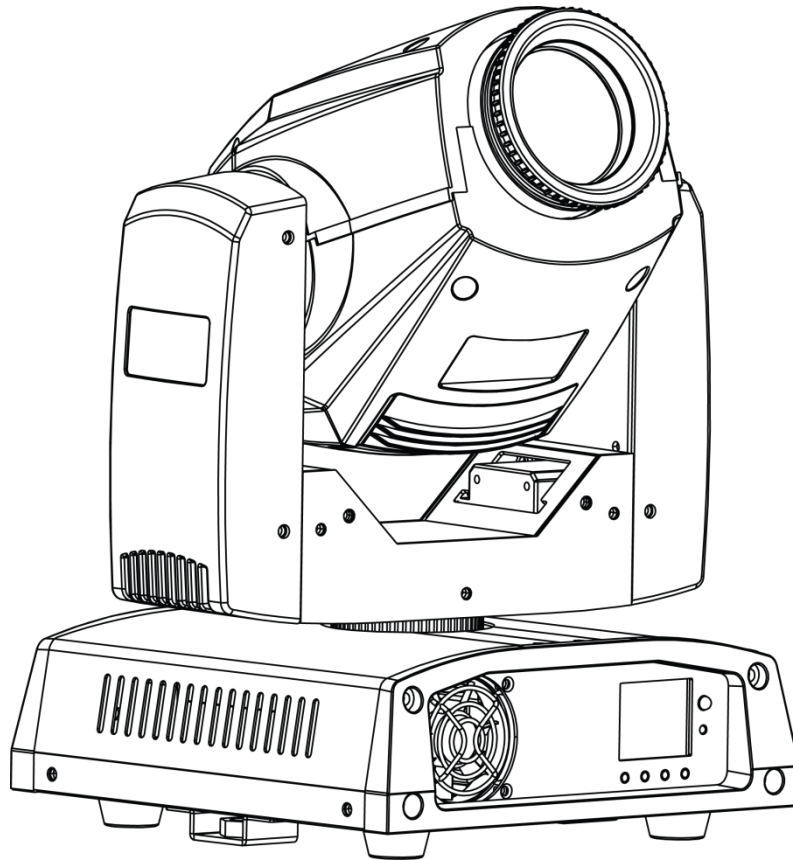


INTIMIDATOR™

Spot 255 IRC

User Manual



CHAUVET®

TABLE OF CONTENTS

1. Before You Begin	3
What Is Included	3
Unpacking Instructions.....	3
Claims.....	3
Text Conventions.....	3
Symbols	3
Document Information.....	3
Product at a Glance	4
Safety Notes	4
2. Introduction	5
Product Overview.....	5
Product Dimensions.....	6
3. Setup.....	7
AC Power.....	7
Fuse Replacement	7
Power Linking.....	7
Mounting	8
Orientation.....	8
Rigging.....	8
4. Operation	9
Control Panel Operation	9
Menu Map	9
Configuration (DMX)	10
Starting Address.....	10
DMX Personalities.....	10
5. DMX Assignments.....	11
DMX13CH.....	11
DMX13CH (cont.).....	12
DMX8CH.....	13
DMX8CH (cont.).....	14
Configuration (Standalone).....	14
Sound-Active Mode	14
Sound Sensitivity.....	14
Automatic Mode	14
Totem Mode.....	14
Manual Test Mode.....	15
Pan/Tilt Orientation.....	15
Pan/Tilt Angle Range.....	15
Display	16
Reset Options	16
System Information	16
Master/Slave Mode	17
IR Mode	18
IRC-6 Operation	18
Zero Adjust Mode.....	19
Changing Gobos	20
6. Technical Information.....	21
Product Maintenance.....	21
7. Technical Specifications	22
Returns	23
Contact Us	24

1. BEFORE YOU BEGIN

What Is Included

- Intimidator™ Spot 255 IRC
- Hanging Bracket with Mounting Hardware
- Power Cord
- Warranty Card
- Quick Reference Guide

Unpacking Instructions

Carefully unpack the product immediately and check the container to make sure all the parts are in the package and are in good condition.

Claims




If the box or the contents (the product and included accessories) appear damaged from shipping, or show signs of mishandling, notify the carrier immediately, not Chauvet. Failure to report damage to the carrier immediately may invalidate your claim. In addition, keep the box and contents for inspection.

For other issues, such as missing components or parts, damage not related to shipping, or concealed damage, file a claim with Chauvet within 7 days of delivery.

Text Conventions

Convention	Meaning
1–512	A range of values
50/60	A set of values of which only one can be chosen
Settings	A menu option not to be modified
Menu > Settings	A sequence of menu options to be followed
<ENTER>	A key to be pressed on the product's control panel
ON	A value to be entered or selected

Symbols

Symbol	Meaning
	Critical installation, configuration, or operation information. Not following these instructions may make the product not work, cause damage to the product, or cause harm to the operator.
	Important installation or configuration information. The product may not function correctly if this information is not used.
	Useful information.

Document Information

The information and specifications contained in this document are subject to change without notice. Chauvet assumes no responsibility or liability for any errors or omissions that may appear in this manual. Chauvet reserves the right to update the existing document or to create a new document to correct any errors or omissions.

You can download the latest version of this document from www.chauvetlighting.com.

© Copyright 2015 Chauvet. All rights reserved.

Electronically published by Chauvet in the United States of America.

Author	Date	Editor	Date
A. Leon	04/14/15	R. Isenstadt	04/14/2015

Product at a Glance

Use on Dimmer	X	Auto Programs	P
Outdoor Use	X	Auto-ranging Power Supply	P
Sound-Activated	P	Replaceable Fuse	P
DMX	P	User-Serviceable	X
Master/Slave	P		

Safety Notes

These notes include important information about the mounting, usage, and maintenance of this product; read before using the product.



- This product is not intended for permanent installation.
- Always connect the product to a grounded circuit to avoid the risk of electrocution.
- Always disconnect the product from power before cleaning or replacing the fuse.
- Avoid direct eye exposure to the light source while the product is on.
- Make sure the power cord is not crimped or damaged.
- Never disconnect the product from power by pulling or tugging on the cord.
- If mounting the product overhead, always secure to a fastening device using a safety cable.
- Make sure there are no flammable materials close to the product when operating.
- Do not touch the product's housing when operating because it may be very hot.



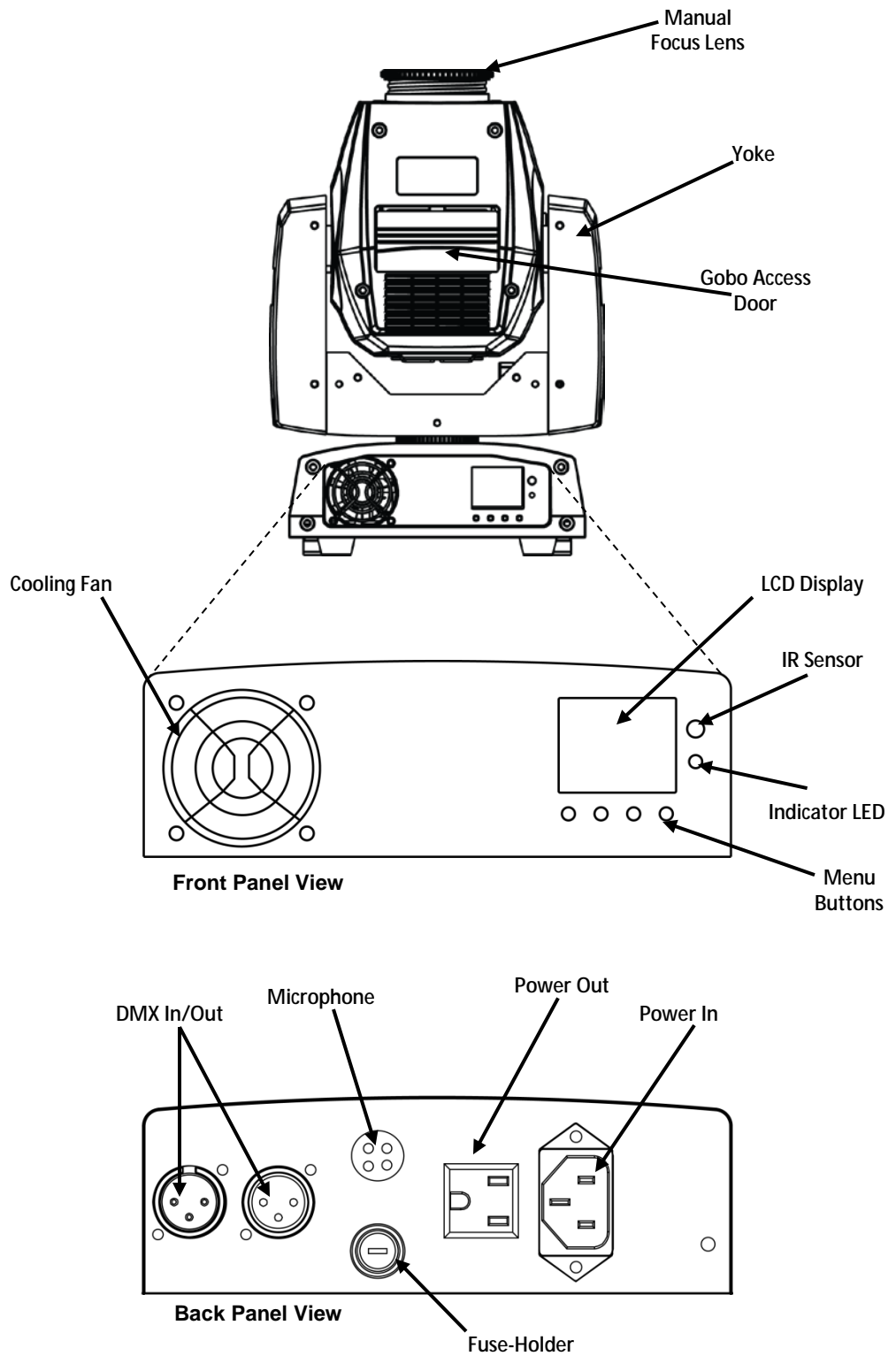
- Always make sure that the voltage of the outlet to which you are connecting the product is within the range stated on the decal or rear panel of the product.
- The product is for indoor use only! (IP20) To prevent risk of fire or shock, do not expose the product to rain or moisture.
- Always install the product in a location with adequate ventilation, at least 20 in (50 cm) from adjacent surfaces.
- Be sure that no ventilation slots on the product's housing are blocked.
- Never connect the product to a dimmer or rheostat.
- Make sure to replace the fuse with another of the same type and rating.
- Never carry the product from the power cord or any moving part. Always use the hanging/mounting bracket.
- The maximum ambient temperature (Ta) is 104 °F (40 °C). Do not operate the product at higher temperatures.
- In the event of a serious operating problem, stop using the product immediately.
- Never try to repair the product. Repairs carried out by unskilled people can lead to damage or malfunction. Please contact the nearest authorized technical assistance center.
- To eliminate unnecessary wear and improve its lifespan, during periods of non-use completely disconnect the product from power via breaker or by unplugging it.



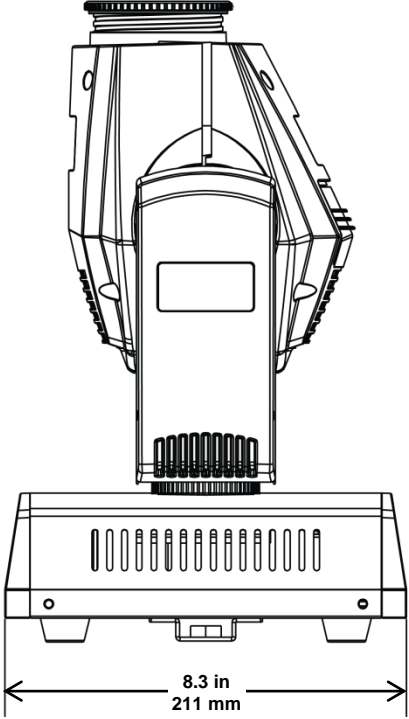
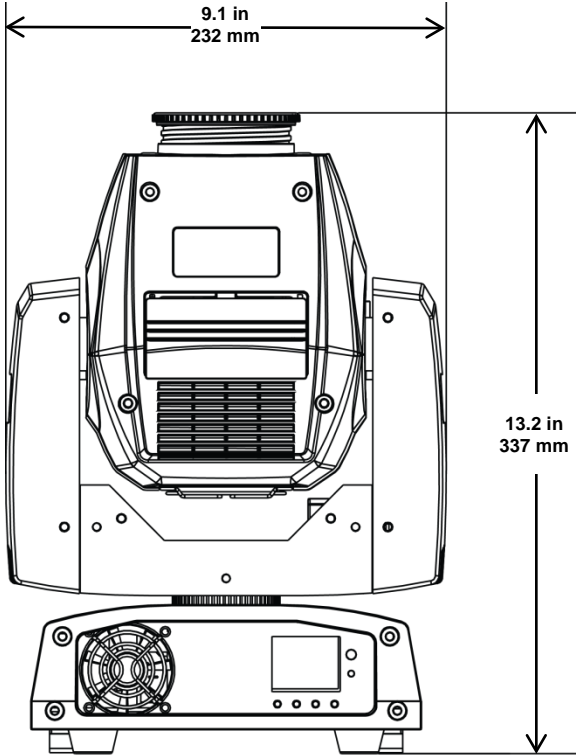
Keep this User Manual for future use. If you sell the product to another user, be sure to give this document to the next owner.

2. INTRODUCTION

Product Overview



Product Dimensions



3. SETUP

AC Power The Intimidator™ Spot 255 IRC has an auto-ranging power supply and it can work with an input voltage range of 100 to 240 VAC, 50/60 Hz.

To determine the product's power requirements (circuit breaker, power outlet, and wiring), use the current value listed on the label affixed to the product's back panel, or refer to the product's specifications chart. The listed current rating indicates the product's average current draw under normal conditions.



- **Always connect the product to a protected circuit (circuit breaker or fuse). Make sure the product has an appropriate electrical ground to avoid the risk of electrocution or fire.**



- **To eliminate unnecessary wear and improve its lifespan, during periods of non-use completely disconnect the product from power via breaker or by unplugging it.**

- **Never connect the product to a rheostat (variable resistor) or dimmer circuit, even if the rheostat or dimmer channel serves only as a 0 to 100% switch.**

Fuse Replacement

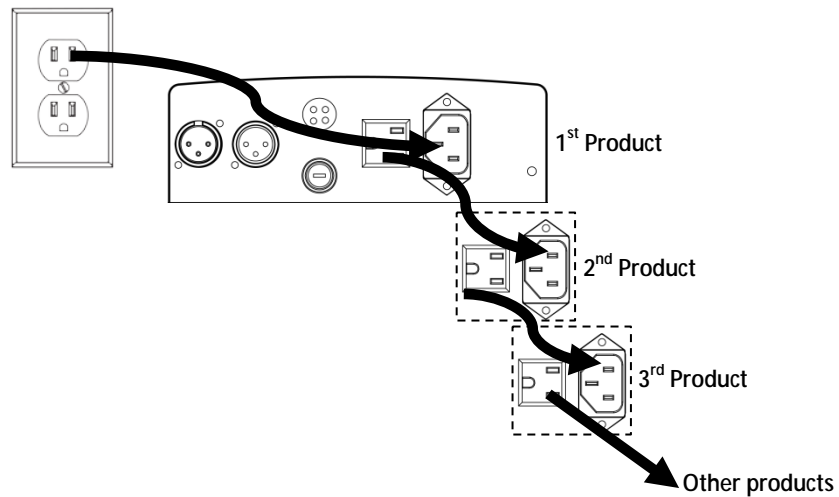
1. Disconnect the product from power.
2. Using a flat-head screwdriver, unscrew the fuse holder cap from the housing.
3. Remove the blown fuse.
4. Replace with a fuse of the same type and rating.
5. Screw the fuse holder cap back in place and reconnect power.



- **Disconnect the product from power before replacing the fuse.**
- **Always replace a blown fuse with another of the same type and rating.**

Power Linking The product provides power linking via the IEC outlet located in the back of the unit.

Power Linking Diagram



- **You can power link up to 6 Intimidator™ Spot 255 IRC units on 120 VAC or up to 10 Intimidator™ Spot 255 IRC units on 230 VAC.**



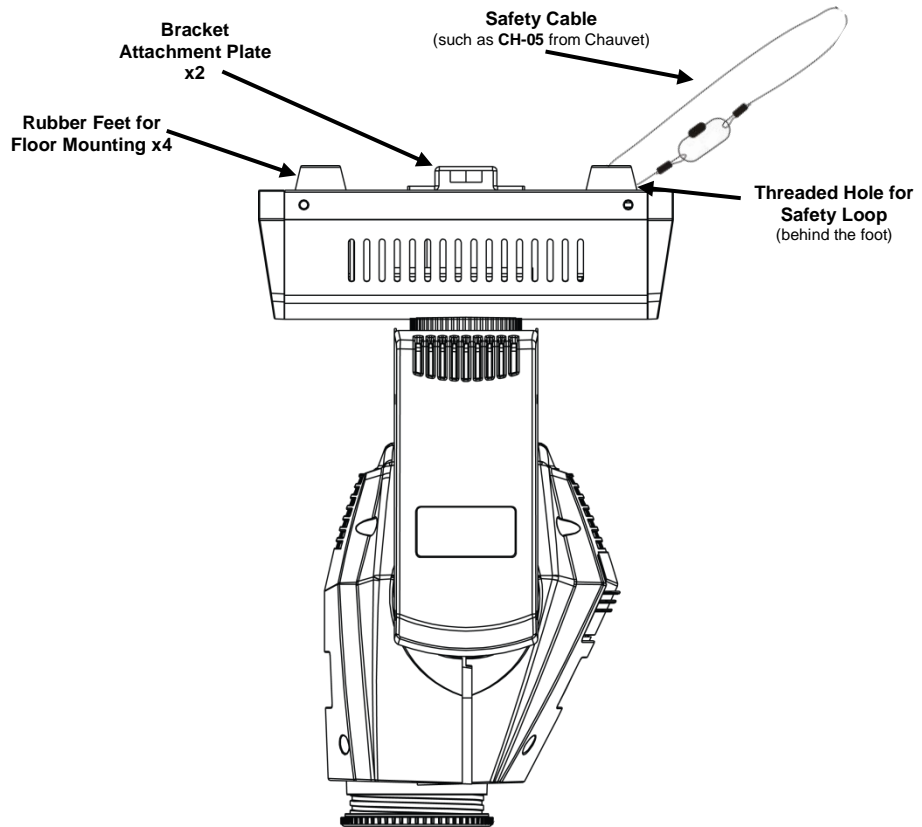
- **The power linking diagram shown above corresponds to the North American version of the product ONLY! If using the product in other markets, you must consult with the local Chauvet distributor as power linking connectors and requirements may differ in your country or region.**

Mounting Before mounting the product, read and follow the safety recommendations indicated in the Safety Notes.

Orientation The Intimidator™ Spot 255 IRC may be mounted in any position; however, make sure adequate ventilation is provided around the product.

- Rigging**
- Before deciding on a location for the product, always make sure there is easy access to the product for maintenance and programming purposes.
 - Make sure that the structure or surface onto which you are mounting the product can support the product's weight. See the [Technical Specifications](#) for weight information. The CLP-15 clamp from Chauvet is appropriate for this product.
 - When mounting the product overhead, always use a safety cable. Mount the product securely to a rigging point, whether an elevated platform or a truss.
 - When rigging the product onto a truss, you should use a mounting clamp of appropriate weight capacity.
 - When power linking multiple products, you must always consider the length of the power linking cable and mount the products close enough for the cable to reach.
 - The rubber feet also serve as floor supports. When mounting the product on the floor, make sure that the product and cables are away from people and vehicles.

Mounting Diagram



When using only one mounting clamp with this fixture, you must use a clamp with a captive bolt to prevent accidental loosening.

4. OPERATION

Control Panel Operation To access the control panel functions, use the four buttons located underneath the display.

Button	Function
<MENU>	Press to find an operation mode or to back out of the current menu option
<UP>	Press to scroll up the list of options or to find a higher value
<DOWN>	Press to scroll down the list of options or to find a lower value
<ENTER>	Press to activate a menu option or a selected value

Menu Map

Main Level	Programming Levels		Description	
Address	001–512		Sets the DMX starting address	
Run Mode	DMX	DMX8CH	Selects DMX mode	
		DMX13CH		
	Slave	Slave1–4	Selects Slave mode 1, 2, 3, or 4	
		Sound	Selects Sound-Active mode	
	Auto	Selects Automatic mode		
	IR	Selects infrared control		
	Manual Test	Pan	000–255	0–540°
		Pan Fine		Fine control of panning
		Tilt		0–270°
		Tilt Fine		Fine control of tilting
		P/T Speed		Pan/Tilt speed (fast to slow)
		Color		Selects color options
		Gobo		Selects gobo options
		Gobo Rot		Rotation effect with increasing speed
		Prism		Selects 3-facet prism
		Dimmer		Sets dimmer value
Shutter		Strobe effect with increasing speed		
Special Function	Selects control functions			
P/T Macro	Selects pan/tilt macros			
Setup	Pan Reverse	OFF	Normal pan operation	
		ON	Reverse pan operation	
	Tilt Reverse	OFF	Normal tilt operation	
		ON	Reverse tilt operation	
	Screen Reverse	OFF	Normal display	
		ON	Reverse display	
	Pan Angle	540	Selects the 540° pan angle range	
		360	Selects the 360° pan angle range	
		180	Selects the 180° pan angle range	
	Tilt Angle	270	Selects the 270° tilt angle range	
		180	Selects the 180° tilt angle range	
		090	Selects the 90° tilt angle range	
	Totem Mode	OFF	Turns off Totem mode	
UP		Selects upward pan and tilt range		
DOWN		Selects downward pan and tilt range		
Sensitivity	001–100	Sets sound sensitivity		
Reset		Resets the product		
Factory Set		Loads factory defaults		
Sys Info	Ver: VX.X		Displays the software version	
	Running Mode: XXXXX		Displays the current running mode	
	Dmx Address: XXX		Displays the current DMX address	
	Temperature: XXX		Displays the LED temperature in Celsius	

Configuration (DMX)

Set the product in DMX mode to control with a DMX controller.

1. Connect the product to a suitable power outlet.
2. Connect a DMX cable from the DMX output of the DMX controller to the DMX input socket on the product.

Starting Address

When selecting a starting DMX address, always consider the number of DMX channels the selected DMX mode uses. If you choose a starting address that is too high, you could restrict the access to some of the product's channels.

The Intimidator™ Spot 255 IRC uses up to 13 DMX channels in its 13-channel DMX mode, which defines the highest configurable address to **500**.

If you are not familiar with the DMX protocol, download the DMX Primer from www.chauvetlighting.com.

To select the starting address, do the following:

1. Press **<MENU>**
2. Use **<UP>** or **<DOWN>** to choose **Address**.
3. Press **<ENTER>**.
4. Use **<UP>** or **<DOWN>** to select the starting address.
5. Press **<ENTER>**.

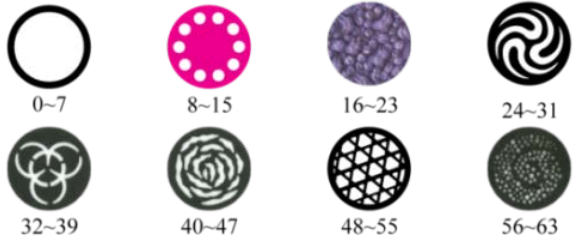
DMX Personalities

The Intimidator™ Spot 255 IRC has two DMX personalities, a 13-channel personality and an 8-channel personality.

To choose which DMX personality to use, follow the steps below:

1. Press **<MENU>**
2. Use **<UP>** or **<DOWN>** to choose **Run Mode**.
3. Press **<ENTER>**.
4. Use **<UP>** or **<DOWN>** to select **DMX**.
5. Press **<ENTER>**.
6. Use **<UP>** or **<DOWN>** until either **DMX13CH** (to choose the 13-channel personality) or **DMX8CH** (to choose the 8-channel personality) shows on the display.
7. Press **<ENTER>**.

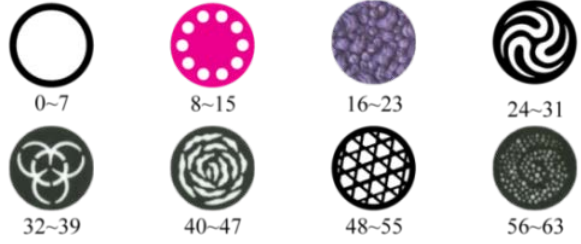
5. DMX ASSIGNMENTS

DMX13CH	Channel	Function	Value	Percent/Setting		
	1	Pan	000 0 255	0–540°		
	2	Fine Pan	000 0 255	Fine control of pan		
	3	Tilt	000 0 255	0–270°		
	4	Fine Tilt	000 0 255	Fine control of tilt		
	5	Speed	000 0 255	Pan/Tilt speed (fast to slow)		
	6	Color Wheel	000 0 006	White		
			007 0 013	Yellow		
			014 0 020	Pink		
			021 0 027	Green		
			028 0 034	Red		
			035 0 041	Light Blue		
			042 0 048	Kelly Green		
			049 0 055	Orange		
			056 0 064	Dark Blue		
			065 0 071	White + Yellow		
			072 0 078	Yellow + Pink		
			079 0 085	Pink + Green		
			086 0 092	Green + Red		
			093 0 099	Red + Light Blue		
			100 0 106	Light Blue + Kelly Green		
			107 0 113	Kelly Green + Orange		
			114 0 120	Orange + Dark Blue		
	121 0 127	Dark Blue + White				
	128 0 191	Color cycling rainbow with increasing speed				
	192 0 255	Reverse color cycling rainbow with increasing speed				
	7	Gobo Wheel				
			064 0 071	Gobo 7 shake (slow to fast)		
			072 0 079	Gobo 6 shake (slow to fast)		
			080 0 087	Gobo 5 shake (slow to fast)		
			088 0 095	Gobo 4 shake (slow to fast)		
			096 0 103	Gobo 3 shake (slow to fast)		
			104 0 111	Gobo 2 shake (slow to fast)		
			112 0 119	Gobo 1 shake (slow to fast)		
			120 0 127	Open		
			128 0 191	Cycle effect with increasing speed		
			192 0 255	Reverse cycle effect with increasing speed		
			8	Gobo Rotation	000 0 007	No function
					008 0 119	Rotation effect with increasing speed
	120 0 231	Reverse rotation effect with increasing speed				
	232 0 255	Gobo bounce				

**DMX13CH
(cont.)**

Channel	Function	Value	Percent/Setting
9	Prism	000ó 015	Open
		016ó 255	Prism on
10	Dimmer	000ó 255	0–100%
11	Shutter	000ó 003	Closed
		004ó 007	Open
		008ó 215	Strobe effect with increasing speed
		216ó 255	Open
12	Special Function	000ó 007	No function
		008ó 027	Blackout while pan/tilt moving
		028ó 047	Blackout while moving gobo wheel
		048ó 067	Disable blackout while pan/tilt/moving gobo wheel
		068ó 087	Blackout while moving color wheel
		088ó 107	Disable blackout while pan/tilt/moving color wheel
		108ó 127	Disable blackout while moving gobo/color wheel
		128ó 147	Disable blackout while pan/tilt/moving gobo/moving color wheel
		148ó 157	Reset pan
		158ó 167	Reset tilt
		168ó 177	Reset color wheel
		178ó 187	Reset gobo wheel
		188ó 197	Reset prism
		198ó 207	Reset all channels
208ó 255	No function		
13	Pan/Tilt Macros	000ó 007	No function
		008ó 023	Automatic movement 1
		024ó 039	Automatic movement 2
		040ó 055	Automatic movement 3
		056ó 071	Automatic movement 4
		072ó 087	Automatic movement 5
		088ó 103	Automatic movement 6
		104ó 119	Automatic movement 7
		120ó 135	Automatic movement 8
		136ó 151	Sound-active movement 1
		152ó 167	Sound-active movement 2
		168ó 183	Sound-active movement 3
		184ó 199	Sound-active movement 4
		200ó 215	Sound-active movement 5
		216ó 231	Sound-active movement 6
		232ó 247	Sound-active movement 7
		248ó 255	Sound-active movement 8

DMX8CH

Channel	Function	Value	Percent/Setting		
1	Pan	000○ 255	0–540°		
2	Tilt	000○ 255	0–270°		
3	Color Wheel	000○ 006	White		
		007○ 013	Yellow		
		014○ 020	Pink		
		021○ 027	Green		
		028○ 034	Red		
		035○ 041	Light Blue		
		042○ 048	Kelly Green		
		049○ 055	Orange		
		056○ 064	Dark Blue		
		065○ 071	White + Yellow		
		072○ 078	Yellow + Pink		
		079○ 085	Pink + Green		
		086○ 092	Green + Red		
		093○ 099	Red + Light Blue		
		100○ 106	Light Blue + Kelly Green		
		107○ 113	Kelly Green + Orange		
		114○ 120	Orange + Dark Blue		
		121○ 127	Dark Blue + White		
		128○ 191	Color cycle rainbow with increasing speed		
192○ 255	Reverse color cycle rainbow with increasing speed				
4	Gobo Wheel				
		064○ 071	Gobo 7 shake (slow to fast)		
		072○ 079	Gobo 6 shake (slow to fast)		
		080○ 087	Gobo 5 shake (slow to fast)		
		088○ 095	Gobo 4 shake (slow to fast)		
		096○ 103	Gobo 3 shake (slow to fast)		
		104○ 111	Gobo 2 shake (slow to fast)		
		112○ 119	Gobo 1 shake (slow to fast)		
		120○ 127	Open		
		128○ 191	Cycle effect with increasing speed		
		192○ 255	Reverse cycle effect with increasing speed		
		5	Gobo Rotation	000○ 007	No function
				008○ 119	Rotation effect with increasing speed
				120○ 231	Reverse rotation effect with increasing speed
232○ 255	Gobo bounce				

DMX8CH (cont.)	Channel	Function	Value	Percent/Setting
	6	Prism	000ó 015	Open
			016ó 255	Prism on
	7	Dimmer	000ó 255	0–100%
	8	Shutter	000ó 003	Closed
			004ó 007	Open
			008ó 215	Strobe effect with increasing speed
			216ó 255	Open

Configuration (Standalone) Set the product in one of the standalone modes to control without a DMX controller.

- Connect the product to power.



Never connect a product that is operating in any standalone mode (either Automatic or Sound-Active) to a DMX string connected to a DMX controller. Products in standalone mode may transmit DMX signals that could interfere with the DMX signals from the controller.

Sound-Active Mode To enable the Sound-Active mode, do the following.

1. Press <MENU>.
2. Use <UP> or <DOWN> to choose **Run Mode**.
3. Press <ENTER>.
4. Use <UP> or <DOWN> to select **Sound**.
5. Press <ENTER>.



The product will only respond to low frequencies of music (bass and drums).

Sound Sensitivity To set the sound sensitivity, do the following.

1. Press <MENU>.
2. Use <UP> or <DOWN> to choose **Setup**.
3. Press <ENTER>.
4. Use <UP> or <DOWN> to select **Sensitivity**.
5. Press <ENTER>.
6. Use <UP> or <DOWN> to select **001–100**, low to high.
7. Press <ENTER>.

Automatic Mode To enable the Automatic mode, follow the instructions below:

1. Press <MENU>.
2. Use <UP> or <DOWN> to choose **Run Mode**.
3. Press <ENTER>.
4. Use <UP> or <DOWN> to select **Auto**.
5. Press <ENTER>.

Totem Mode To activate the Totem Mode, do the following:

1. Press <MENU>.
2. Use <UP> or <DOWN> to choose **Setup**.
3. Press <ENTER>.
4. Use <UP> or <DOWN> to select **Totem Mode**.
5. Press <ENTER>.
6. Use <UP> or <DOWN> to choose **OFF, DOWN, or UP**.
7. Press <ENTER>.

Manual Test Mode To test or control any function of the Intimidator™ Spot 255 IRC through the LCD display menu, follow the instructions below:

1. Press **<MENU>**.
2. Use **<UP>** or **<DOWN>** to choose **Run Mode**.
3. Press **<ENTER>**.
4. Use **<UP>** or **<DOWN>** to select **Manual Test**.
5. Press **<ENTER>**.
6. Use **<UP>** or **<DOWN>** to select the function to test or control, from the options: **Pan, Pan Fine, Tilt, Tilt Fine, P/T Speed, Color, Gobo, Gobo Rot, Prism, Dimmer, Shutter, Special Functions, and P/T Macros**.
7. Press **<ENTER>**.
8. Use **<UP>** or **<DOWN>** to change the value of the selected function, from **000–255**.

NOTE: For information regarding what each value range does for each function, see the [DMX Assignments for 13CH Mode](#).

Pan/Tilt Orientation To select whether you want the Intimidator™ Spot 255 IRC to operate with normal panning or inverted panning, do the following.

1. Press **<MENU>**.
2. Use **<UP>** or **<DOWN>** to choose **Setup**.
3. Press **<ENTER>**.
4. Use **<UP>** or **<DOWN>** to select **Pan Reverse**.
5. Press **<ENTER>**.
6. Use **<UP>** or **<DOWN>** to select **ON** or **OFF**.
7. Press **<ENTER>**.

To select whether you want the Intimidator™ Spot 255 IRC to operate with normal tilting or inverted tilting, do the following:

1. Press **<MENU>**.
2. Use **<UP>** or **<DOWN>** to choose **Setup**.
3. Press **<ENTER>**.
4. Use **<UP>** or **<DOWN>** to select **Tilt Reverse**.
5. Press **<ENTER>**.
6. Use **<UP>** or **<DOWN>** to select **ON** or **OFF**.
7. Press **<ENTER>**.

Pan/Tilt Angle Range You are able to select the range for the pan and tilt angles on the Intimidator™ Spot 255 IRC to achieve the effect you like.

To select which pan angle range to use, do the following.

1. Press **<MENU>**.
2. Use **<UP>** or **<DOWN>** to choose **Setup**.
3. Press **<ENTER>**.
4. Use **<UP>** or **<DOWN>** to select **Pan Angle**.
5. Press **<ENTER>**.
6. Use **<UP>** or **<DOWN>** to select **540, 360, or 180**.
7. Press **<ENTER>**.

To select which tilt angle range to use, do the following.

1. Press **<MENU>**.
2. Use **<UP>** or **<DOWN>** to choose **Setup**.
3. Press **<ENTER>**.
4. Use **<UP>** or **<DOWN>** to select **Tilt Angle**.
5. Press **<ENTER>**.
6. Use **<UP>** or **<DOWN>** to select **270, 180, or 090**.
7. Press **<ENTER>**.

Display You are able to flip the LED display for easy readability in any mounting situation.

To select your display angle:

1. Press **<MENU>**.
2. Use **<UP>** or **<DOWN>** to choose **Setup**.
3. Press **<ENTER>**.
4. Use **<UP>** or **<DOWN>** to select **Screen Reverse**.
5. Press **<ENTER>**.
6. Use **<UP>** or **<DOWN>** to select **ON** or **OFF**.
7. Press **<ENTER>**.

Reset Options The **Reset** option will restart the product, but does not change any settings. Using the **Factory Set** option will clear out all customized settings and return the settings to the factory defaults To reset the software on the Intimidator™ Spot 255 IRC, do the following:

1. Press **<MENU>**.
2. Use **<UP>** or **<DOWN>** to choose **Setup**.
3. Press **<ENTER>**.
4. Use **<UP>** or **<DOWN>** to choose **Reset** or **Factory Set**.
5. Press **<ENTER>**.

System Information To view information about the Intimidator™ Spot 255 IRC:

1. Press **<MENU>**.
2. Use **<UP>** or **<DOWN>** to choose **Sys Info**.
3. Press **<ENTER>**. The current information about the product will show on the display.

Master/Slave Mode

The Master/Slave mode allows a single Intimidator™ Spot 255 IRC (the master) to control the actions of one or more Intimidator™ Spot 255 IRC units (the slaves) without the need of a DMX controller. The master will be set to operate in either Automatic or Sound-Active mode, while the slaves will be set to operate in Slave mode. Once set and connected, the slaves will operate in unison with the master.

Configure the units as indicated below.

Slaves:

1. Press **<MENU>**.
2. Use **<UP>** or **<DOWN>** to choose **Run Mode**.
3. Press **<ENTER>**.
4. Use **<UP>** or **<DOWN>** to select **Slave**.
5. Press **<ENTER>**.
6. Use **<UP>** or **<DOWN>** to select **Slave1**, **Slave2**, **Slave3**, or **Slave4**.
 - Select **Slave1** for 100% synchronized actions.
 - Select **Slave2**, **Slave3**, or **Slave4** for a delayed show with all heads in the same direction but with a delay creating a wave effect.
7. Press **<ENTER>**.
8. Connect the DMX input of the first slave unit to the DMX output of the master.
9. Connect the DMX input of the subsequent slaves to the DMX output of the previous slave.
10. Finish setting and connecting all the slaves.

Master:

1. Set the master to operate in either Automatic or Sound-Active mode.
2. Make the master the first unit in the DMX daisy chain.



- **Configure all the slaves before connecting the master to the DMX daisy chain.**
- **Never connect a DMX controller to a DMX string configured for Master/Slave operation because the controller may interfere with the signals from the master.**
- **Do not connect more than 31 slave units to the master.**

IR Mode IR mode allows the product to be controlled with an infrared remote controller. The IRC-6 can remotely set the product to various modes; adjust the color, speed and sensitivity; and set the strobe.

To set the product to IR mode, do the following:

1. Make sure the product is plugged into a power source and not connected to a DMX cable.
2. Press **<MENU>**.
3. Use **<UP>** or **<DOWN>** to choose **Run Mode**.
4. Press **<ENTER>**.
5. Use **<UP>** or **<DOWN>** to choose **IR**.
6. Press **<ENTER>** and the IR indicator on the front of the Intimidator Spot 355Z IRC lights up.

IRC-6 Operation

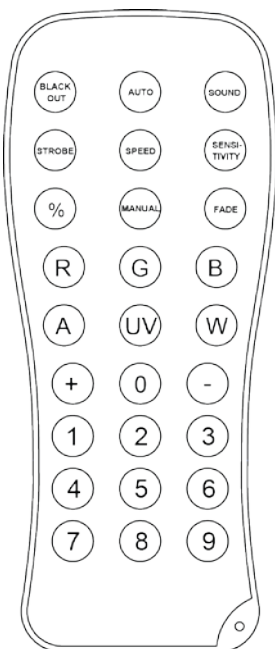
Be sure the IRC-6 remote is pointing directly at the product and there is nothing in between the remote and the product.

Some of the buttons on the remote work differently than what is indicated on their labels. For example:



- **<MANUAL>** changes the Gobo pattern.
- **<FADE>** changes the color.
- **<R>**, **<G>**, ****, **<A>** and **<W>** control other manual functions.

Please read the next section carefully.



The list below describes which features each button controls.

- **<BLACKOUT>** - Turns LED on and off.
- **<AUTO>** - Activates Auto mode. Use the **<+>** and **<->** buttons to cycle through Auto modes.
- **<SOUND>** - Activates Sound mode.
- **<STROBE>** - Activates the strobe. Use the **<+>** and **<->** buttons to cycle through strobe speeds.
- **<SPEED>** - Adjusts the movement speed. Use the **<+>** and **<->** buttons to cycle through movement speeds.
- **<SENSITIVITY>** - Adjusts sound sensitivity. Use the **<+>** and **<->** buttons to cycle through sound sensitivity levels.
- **<%>** - Adjusts the brightness of the LEDs. Use the **<+>** and **<->** buttons to increase or decrease the brightness of the LEDs.
- **<MANUAL>** - Changes the Gobo pattern. Use the **<+>** and **<->** buttons to scroll through the GOBO options.
- **<FADE>** Changes the color. Use the **<+>** and **<->** buttons to scroll through the color options.
- **<R>** - Activates color wheel rotation control. Use the **<+>** and **<->** buttons to increase or decrease rotation speed.
- **<G>** - Activates Gobo wheel rotation control. Use the **<+>** and **<->** buttons to increase or decrease rotation speed.
- **** - Activates color and Gobo auto mode, independent from movement.
- **<A>** - Activates pan and tilt control. Press **<A>** to toggle pan and tilt, and use the **<+>** and **<->** buttons to increase or decrease pan or tilt values.
- **<W>** - Activates prism control. Use the **<+>** and **<->** buttons to set prism value, **0–15** for off, **16–255** for on.
- **<+>** - Increases values for controls as described above.
- **<->** - Decreases values for controls as described above.
- **<0>–<9>** - Activates specific Auto modes. Can be used as a shortcut for the combination of the **<AUTO>** button and the **<+>** and **<->** buttons.
- **<UV>** or **<P>** - No function with this product.

Zero Adjust Mode

The Intimidator™ Spot 255 IRC contains a passcode-protected mode which allows you to calibrate and adjust several of the product's operating parameters.

In order to access this mode, do the following:

1. Press and hold **<MENU>** for at least 10 seconds.
2. Use **<UP>** and **<DOWN>** to enter the passcode: **2323**.
3. Press **<ENTER>**.

In this mode there are several options for adjustment:

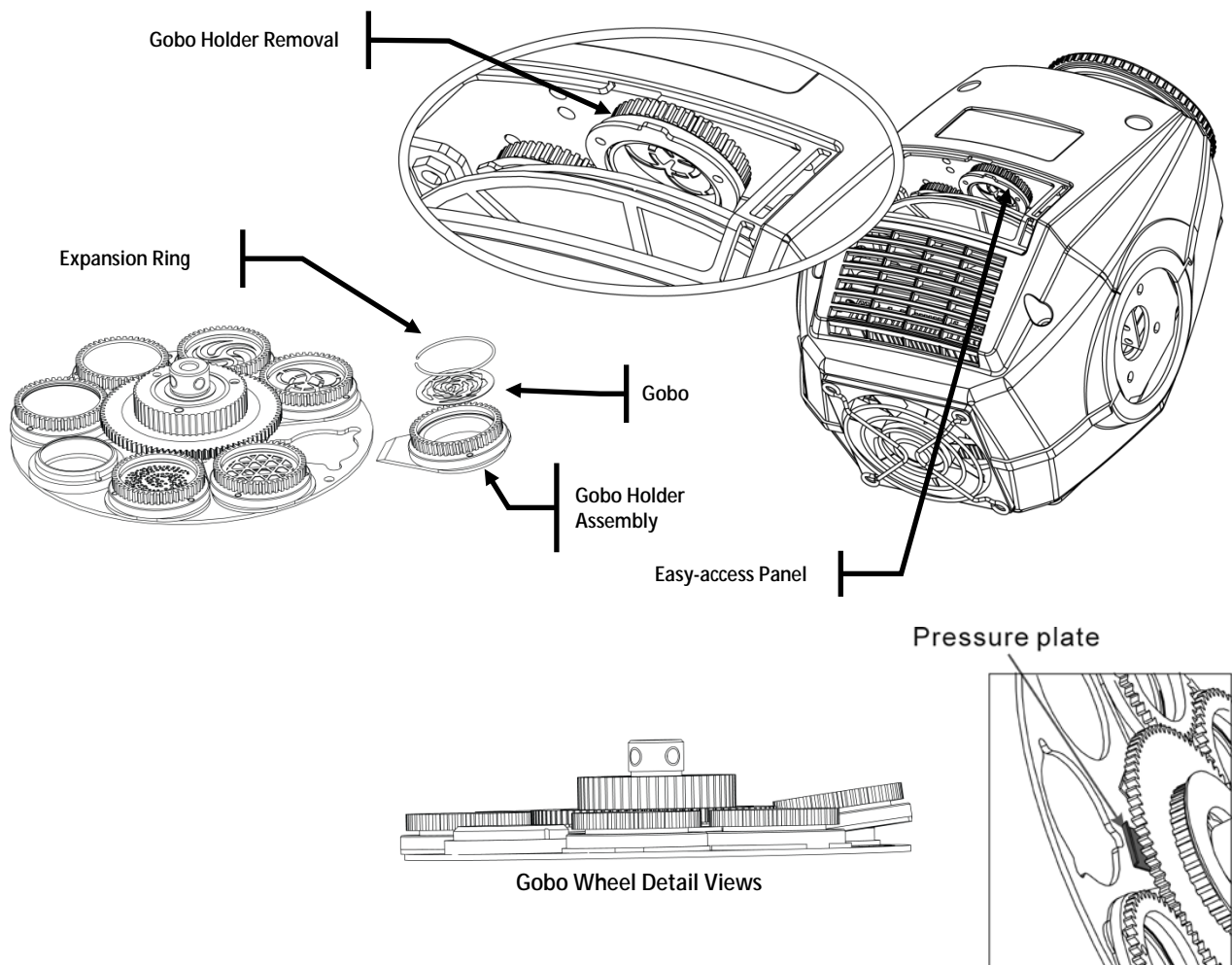
Parameter	Default	Description
Pan	128	Manually adjust the starting pan angle
Tilt	095	Manually adjust the starting tilt angle
Gobo	120	Manually adjust the gobo wheel starting position
Color	128	Manually adjust the color wheel starting position
Prism	128	Manually adjust the prism starting position
LED	000	Manually adjust the starting brightness of the LED

Changing Gobos

To change the gobos in the Intimidator™ Spot 255 IRC, do not remove the gobo wheel. Simply:

1. Disconnect product from power outlet.
2. Place the product on a flat, level surface with the front facing up.
3. Access the gobo plate by removing the cover on the moving head. By hand, gently push downward on the cover, in the direction of the debossed arrowhead on the cover.
4. Rotate the gobo wheel until the gobo that needs replacing is accessible.
5. Separate the gobo holder assembly away from the gobo wheel by pushing it forward and up. Be careful not to push the gobo out of the gobo plate.
6. Extract the gobo holder by pulling it backwards out of the product.
7. On a flat surface, remove the expansion ring that holds the gobo in place and remove the gobo from the gobo plate.
8. Insert a new gobo and hold it in place with the expansion ring.
9. To re-insert the new gobos, slide the tip of the gobo holder under the pressure plate near the center of the gobo wheel.
10. Push the gobo holder assembly inwards. DO NOT force the gobo holder into the gobo wheel slot. Slightly move the holder from side-to-side if needed to get it to seat properly. If correctly installed, the bottom of the holder will be flush with the gobo wheel.
11. Push cover back into position.

Gobo Replacement Diagram



6. TECHNICAL INFORMATION

Product Maintenance

Dust build up reduces light output performance and can cause overheating. This can lead to reduction of the light source's life. To maintain optimum performance and minimize wear, you should clean your lighting products at least twice a month. However, be aware that usage and environmental conditions could be contributing factors to increase the cleaning frequency.

To clean the product, follow the instructions below:

1. Unplug the product from power.
2. Wait until the product is at room temperature.
3. Use a vacuum (or dry compressed air) and a soft brush to remove dust collected on the external surface/vents.
4. Clean all glass/transparent surfaces with a mild soap solution, ammonia-free glass cleaner, or isopropyl alcohol.
5. Apply the solution directly to a soft, lint free cotton cloth or a lens cleaning tissue.
6. Softly drag any dirt or grime to the outside of the glass/transparent surface.
7. Gently polish the glass/transparent surfaces until they are free of haze and lint.



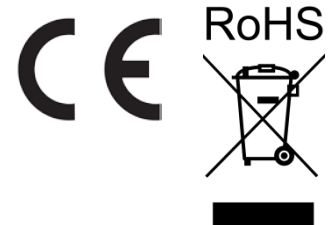
Always dry the glass/transparent surfaces carefully after cleaning them.



Do not spin the cooling fans using compressed air because you could damage them.

7. TECHNICAL SPECIFICATIONS

Dimensions and Weight	Length	Width	Height (pointing upward)	Weight
	8.3 in (211 mm)	9.1 in (232 mm)	13.2 in (337 mm)	12.6 lb (5.7 kg)
Note: Dimensions in inches rounded to the nearest decimal digit.				
Power	Power Supply Type	Range	Voltage Selection	
	Switching (internal)	100 to 240 VAC, 50/60 Hz	Auto-ranging	
	Parameter	120 V, 60 Hz	230 V, 50 Hz	
	Consumption	98 W	95 W	
	Operating	1.4 A	0.8 A	
Power I/O	Power I/O	US/Worldwide	UK/Europe	
	Power input connector	IEC	IEC	
	Power output connector	Edison	IEC	
Light Source	Type	Power	Lifespan	
	LED	60 W	50,000 hours	
	Color	Quantity	Current	
Photometrics	White	1	2.3 A	
	Parameter			
	Illuminance	10,420 lux @ 2 m		
	Beam angle	15°		
	Strobe Rate	0 to 20 Hz		
Pan and Tilt	540° Pan		270° Tilt	
Pan/Tilt Ranges	540°, 360°, 180° Pan		270°, 180°, 90° Tilt	
Gobo Size	24 mm outside 20 mm image 1.1 mm maximum thickness			
Thermal	Maximum External Temp.	Cooling System		
	104 °F (40 °C)	Fan-cooled		
DMX	I/O Connectors	Connector Type	Channel Range	
	3-pin XLR	Sockets	8 or 13	
Ordering	Product Name	Item Code	UPC Number	
	Intimidator™ Spot 255 IRC	08010959	781462213077	



To return a product or request support:

- In the U.S., contact Chauvet World Headquarters (See [Contact Us](#)).
- In the UK or Ireland, contact Chauvet Europe Ltd. (See [Contact Us](#)).
- In Mexico, contact Chauvet Mexico. (See [Contact Us](#)).
- In Benelux, contact Chauvet Europe BVBA. (See [Contact Us](#)).
- In any other country, DO NOT contact Chauvet. Instead, contact your lighting distributor. See www.chauvetlighting.com for distributors outside the U.S., UK, Ireland, Mexico, or Benelux.



Outside the U.S., UK, Ireland, Mexico, or Benelux, contact your distributor and follow their instructions on how to return Chauvet products to them. Visit our website for contact details.

Returns

Call the corresponding Chauvet Technical Support office and request a Return Merchandise Authorization (RMA) number before shipping the product. Be prepared to provide the model number, serial number, and a brief description of the cause for the return.

You must send the merchandise prepaid, in its original box, and with its original packing and accessories. Chauvet will not issue call tags.

Clearly label the package with the RMA number. Chauvet will refuse any product returned without an RMA number.



Write the RMA number on a properly affixed label. DO NOT write the RMA number directly on the box.

Before sending the product, clearly write the following information on a piece of paper and place it inside the box:

- Your name
- Your address
- Your phone number
- RMA number
- A brief description of the problem

Be sure to pack the product properly. Any shipping damage resulting from inadequate packaging will be your responsibility. FedEx packing or double-boxing are recommended.



Chauvet reserves the right to use its own discretion to repair or replace returned product(s).

CONTACT US

WORLD HEADQUARTERS - Chauvet

General Information

Address: 5200 NW 108th Avenue
Sunrise, FL 33351
Voice: (954) 577-4455
Fax: (954) 929-5560
Toll free: (800) 762-1084

Technical Support

Voice: (954) 577-4455 (Press 4)
Fax: (954) 756-8015
Email: tech@chauvetlighting.com

World Wide Web www.chauvetlighting.com

UNITED KINGDOM AND IRELAND - Chauvet Europe Ltd.

General Information

Address: Unit 1C
Brookhill Road Industrial Estate
Pinxton, Nottingham, UK
NG16 6NT
Voice: +44 (0)1773 511115
Fax: +44 (0)1773 511110

Technical Support

Email: uktech@chauvetlighting.com

World Wide Web www.chauvetlighting.co.uk

MEXICO - Chauvet Mexico

General Information

Address: **Av. Santa Ana 30**
Parque Industrial Lerma
Lerma, Mexico C.P. 52000
Voice: **+52 (728) 285-5000**

Technical Support

Email: servicio@chauvet.com.mx

World Wide Web www.chauvet.com.mx

CHAUVET EUROPE - Chauvet BVBA

General Information

Address: Stokstraat 18
9770 Kruishoutem
Belgium
Voice: +32 9 388 93 97

Technical Support

Email: Eutech@chauvetlighting.eu

World Wide Web www.chauvetlighting.eu

Outside the U.S., United Kingdom, Ireland, Mexico, or Benelux, contact the dealer of record and follow their instructions to request support or to return a product. Visit the Chauvet website for contact information.