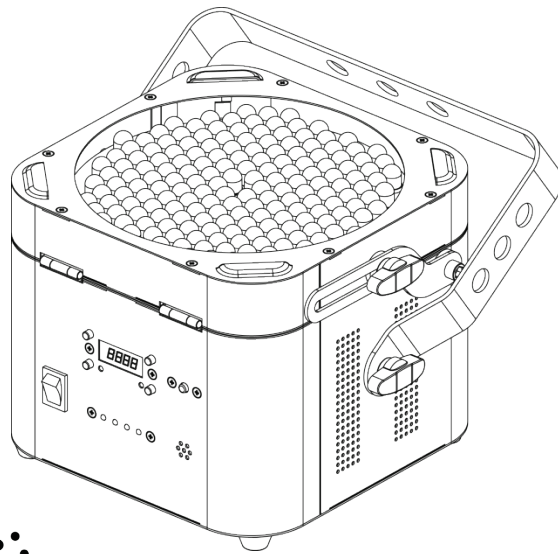
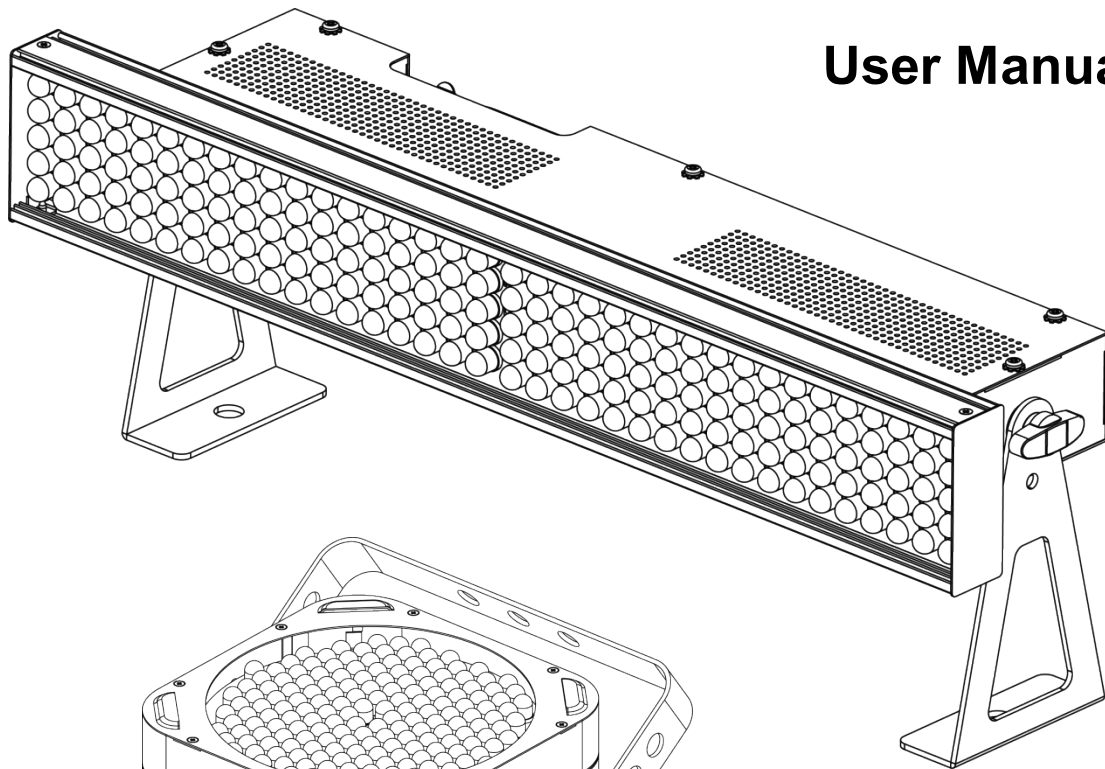


FREEDOMTM PAR^{WiFi} RGBA

FREEDOMTM STRIP^{WiFi} MINI RGBA

User Manual



CHAUVET[®]
Value • Innovation • Performance
It's **Green** Thinking.[™]

TABLE OF CONTENTS

1. Before You Begin	6
What Is Included	6
Unpacking Instructions	6
Claims	6
Text Conventions	6
Symbols	6
Disclaimer	6
Product at a Glance	7
Safety Notes	7
2. Introduction	8
Overview (Freedom™ Par RGBA)	8
Overview (Freedom™ Par RGBA)	9
Overview (Freedom™ Strip Mini RGBA)	10
Dimensions (Freedom™ Par RGBA)	11
Dimensions (Freedom™ Strip Mini RGBA)	12
3. Setup	13
AC Power	13
Charging the Battery	13
Battery Life Indicator	13
Battery Maintenance	13
Fuse Replacement	14
Power Linking	15
Mounting	16
Orientation	16
Rigging	16
4. Operation	17
Control Panel Operation	17
Menu Map	17
Configuration (DMX)	18
Starting Address	18
DMX Personalities	18
DMX Channel Modes, Assignments, and Values	19
5-CH	19
4-CH	19
Configuration (Standalone)	20
Automatic ACt Mode	20
ACt Auto Programs	21
Automatic ACtC Mode	22
ACtC Auto Programs	22
IRC (Infrared Remote Control)	23
IRC Operation	23
IRC Operation (cont.)	24
D-Fi™ 2.4 GHz (DMX Mode Auto Sync)	25
D-Fi™ 2.4 GHz (DMX Mode Manual Sync)	26
D-Fi™ 2.4 GHz (IR/Standalone Mode Auto Sync)	27
D-Fi™ 2.4 GHz (IR/Standalone Mode Manual Sync)	28
Master/Slave Mode	29
Master/Slave Runway Effect	29
5. Technical Information	30
Product Maintenance	30

6. Technical Specifications.....	31
Returns	32
Contact Us	32
1. Antes de Empezar	33
Qué va Incluido	33
Instrucciones de Desembalaje.....	33
Reclamaciones	33
Convenciones de Texto.....	33
Símbolos.....	33
Exención de Responsabilidad.....	33
El Producto de un Vistazo	34
Notas de Seguridad.....	34
2. Introducción	35
Visión General (Freedom™ Par RGBA).....	35
Visión General (Freedom™ Par RGBA).....	36
Visión General (Freedom™ Strip Mini RGBA).....	37
Dimensiones (Freedom™ Par RGBA)	38
Dimensiones (Freedom™ Strip Mini RGBA)	39
3. Instalación	40
Corriente Alterna	40
Cargar la Batería.....	40
Indicador de Duración de la Batería.....	40
Mantenimiento de la Batería.....	40
Sustitución del Fusible	41
Alimentación en Cadena	42
Montaje.....	43
Orientación.....	43
Colocación.....	43
4. Funcionamiento.....	44
Funcionamiento del Panel de Control.....	44
Mapa de Menú	44
Configuración (DMX).....	45
Dirección de Inicio.....	45
Personalidades DMX.....	45
Modos de Canal, Asignaciones y Valores DMX	46
5-CH.....	46
4-CH.....	47
Configuración (Independiente).....	47
Modo ACt Automático	47
Programas ACt Auto	48
Modo ACtC Automático.....	49
Programas ACtC Auto.....	49
IRC (Control Remoto por Infrarrojos)	50
Funcionamiento del IRC.....	50
Funcionamiento del IRC (cont.)	51
D-Fi™ 2.4 GHz (Autosincronización Modo DMX).....	52
D-Fi™ 2.4 GHz (Sincronización Manual Modo DMX).....	53
D-Fi™ 2.4 GHz (Autosincronización Modo IR/Independiente)	54
D-Fi™ 2.4 GHz (Sincronización Manual Modo IR/Independiente)	55
Modo Maestro/Esclavo.....	56
Efecto Runway Maestro/Esclavo	56
5. Información Técnica	57
Mantenimiento del Producto	57

6. Especificaciones Técnicas	58
Devoluciones	59
Contacto	59
1. Avant de Commencer.....	60
Ce qui est Compris.....	60
Instructions Relatives au Déballage.....	60
Réclamations.....	60
Conventions de Texte.....	60
Symboles	60
Clause de Non Responsabilité.....	60
Vue d'Ensemble de l'Appareil	61
Consignes de Sécurité	61
2. Introduction	62
Vue d'Ensemble (Freedom™ Par RGBA)	62
Vue d'Ensemble (Freedom™ Par RGBA)	63
Vue d'Ensemble (Freedom™ Strip Mini RGBA)	64
Dimensions (Freedom™ Par RGBA)	65
Dimensions (Freedom™ Strip Mini RGBA)	66
3. Configuration.....	67
Alimentation CA	67
Chargement de la Batterie.....	67
Indicateur de Vie de la Batterie.....	67
Entretien de la Batterie.....	67
Remplacement du Fusible.....	68
Connexion Électrique	69
Installation.....	70
Orientation.....	70
Suspension.....	70
4. Fonctionnement	72
Fonctionnement du Panneau de Commande.....	72
Tableau du Menu	72
Configuration (DMX).....	73
Adresse de Départ.....	73
Personnalités DMX	73
Valeurs, Assignations et Modes de Canaux DMX	74
5 Canaux.....	74
4 Canaux.....	75
Configuration (Autonome).....	75
Mode Automatique ACt	75
Programmes Automatiques ACt.....	76
Mode Automatique ACtC.....	77
Programmes ACtC Automatiques	77
IRC (Télécommande à Infrarouge).....	78
Fonctionnement de l'IRC.....	78
Fonctionnement de l'IRC (suite).....	79
D-Fi™ 2.4 Ghz (Mode DMX Synchronisation Automatique)	80
D-Fi™ 2.4 Ghz (Mode DMX Synchronisation Manuelle).....	81
D-Fi™ 2.4 Ghz (Mode Autonome /Infrarouge Synchronisation Automatique).....	82
D-Fi™ 2.4 Ghz (Mode Autonome /Infrarouge Synchronisation Manuelle)	83
Mode Maître/Esclave.....	84
Effet Piste d'Atterrissage Maître/Esclave.....	84
5. Informations Techniques.....	85
Entretien de l'Appareil	85

6. Spécificités Techniques	86
Renvois.....	87
Nous Contacter	87

1. BEFORE YOU BEGIN

What Is Included

- Freedom™ Par RGBA or Freedom™ Strip Mini RGBA
- Power Cord
- Warranty Card
- User Manual

Unpacking Instructions

Carefully unpack the product immediately and check the box to make sure all the parts are in the package and are in good condition.

Claims




If the box or the contents (the product and included accessories) appear damaged from shipping, or show signs of mishandling, notify the carrier immediately, not CHAUVET®. Failure to report damage to the carrier immediately may invalidate your claim. In addition, keep the box and contents for inspection.

For other issues, such as missing components or parts, damage not related to shipping, or concealed damage, file a claim with CHAUVET® within 7 days of delivery.

Text Conventions

Convention	Meaning
1–512	A range of values
50/60	A set of values of which only one can be chosen
Settings	A menu option not to be modified
Menu > Settings	A sequence of menu options to be followed
<ENTER>	A key to be pressed on the product's control panel
ON	A value to be entered or selected

Symbols

Symbol	Meaning
	Critical installation, configuration, or operation information. Not following these instructions may make the product not work, cause damage to the product, or cause harm to the operator.
	Important installation or configuration information. The product may not function correctly if this information is not used.
	Useful information.

Disclaimer

The information and specifications contained in this User Manual are subject to change without notice. CHAUVET® assumes no responsibility or liability for any errors or omissions, and reserves the right to revise or recreate this manual at any time. Download the latest version from www.chauvetlighting.com.

© Copyright 2012 CHAUVET®. All rights reserved.

Printed in P.R.C.

Electronically published by CHAUVET® in the United States of America.

Author	Date	Editor	Date
A. Leon	12/3/12	S. Diaz	12/19/12

Product at a Glance

Use on Dimmer	⊘	Auto Programs	✓
Outdoor Use	⊘	Auto-ranging Power Supply	✓
Sound-Activated	✓	Replaceable Fuse	✓
DMX	✓	User-Serviceable	⊘
Master/Slave	✓	Duty Cycle	⊘

Safety Notes These notes include important information about the mounting, usage, and maintenance of this product; read before using the product.



- Always connect the product to a grounded circuit to avoid the risk of electrocution.
- Always disconnect the product from the power source before cleaning or replacing the fuse.
- Avoid direct eye exposure to the light source while the product is on.
- Make sure the power cord is not crimped or damaged.
- Never disconnect the product from power by pulling or tugging on the cord.
- If mounting the product overhead, always secure to a fastening device using a safety cable.
- Make sure there are no flammable materials close to the product when operating.
- Do not touch the product's housing when operating because it may be very hot.



- Always make sure that the voltage of the outlet to which you are connecting the product is within the range stated on the decal or bottom panel of the product.
- The product is for indoor use only! (IP20) To prevent risk of fire or shock, do not expose the product to rain or moisture.
- Always install the product in a location with adequate ventilation, at least 20 in (50 cm) from adjacent surfaces.
- Be sure that no ventilation slots on the product's housing are blocked.
- Never connect the product to a dimmer.
- Make sure to replace the fuse with another of the same type and rating.
- Never carry the product from the power cord or any moving part. Always use the hanging/mounting bracket.
- The maximum ambient temperature (Ta) is 104° F (40° C). Do not operate the product at higher temperatures.
- In the event of a serious operating problem, stop using the product immediately.
- Never try to repair the product. Repairs carried out by unskilled people can lead to damage or malfunction. Contact the nearest authorized technical assistance center.
- This product is not intended for permanent installation.



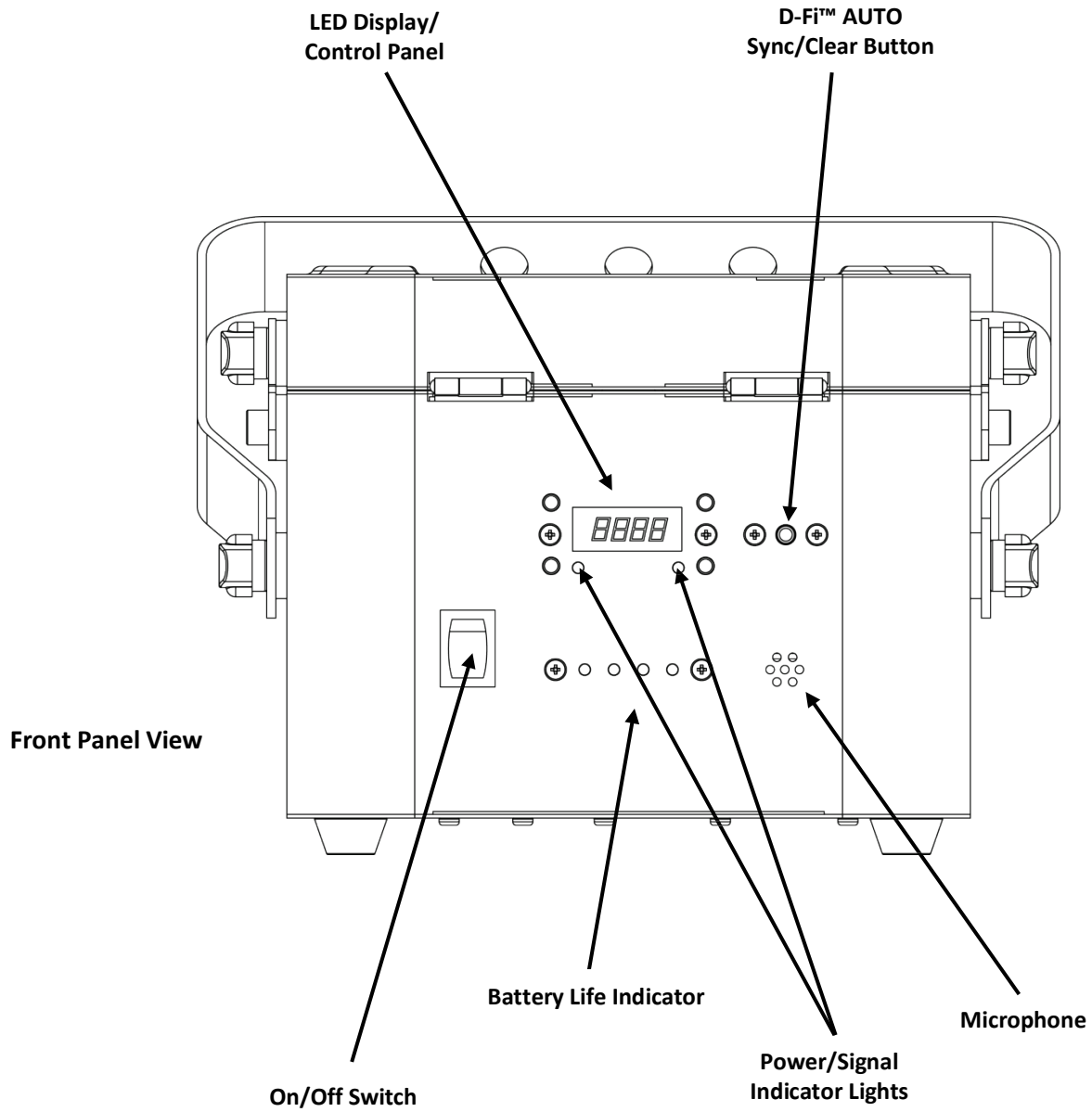
- Keep this User Manual for future use. If you sell the product to another user, be sure to give this document to the next owner.



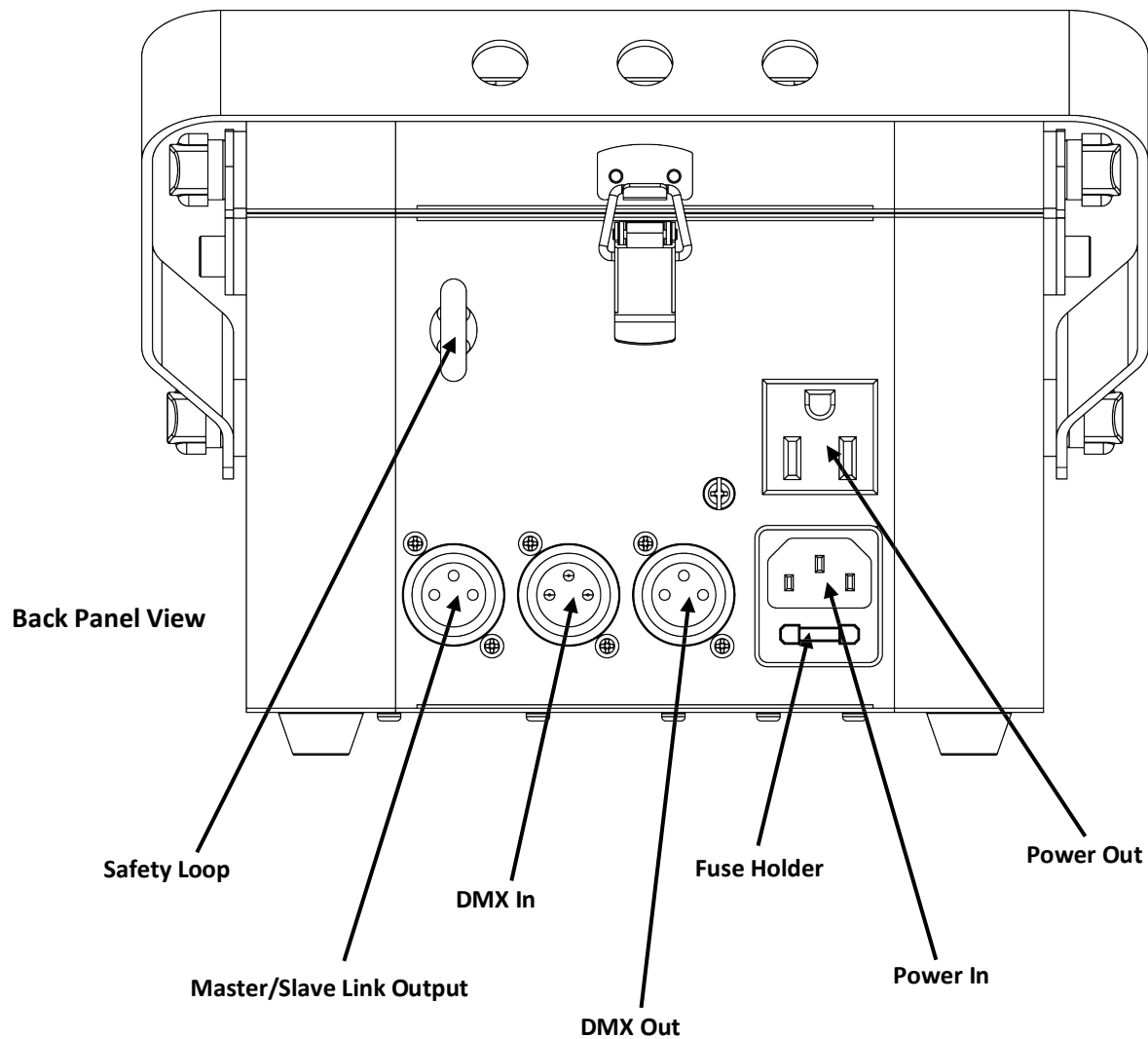
The Freedom™ RGBA series products contain rechargeable batteries. These batteries contain hazardous chemicals that cannot be discarded with household waste. Contact your local waste management service for recycling information when disposing of your product.

2. INTRODUCTION

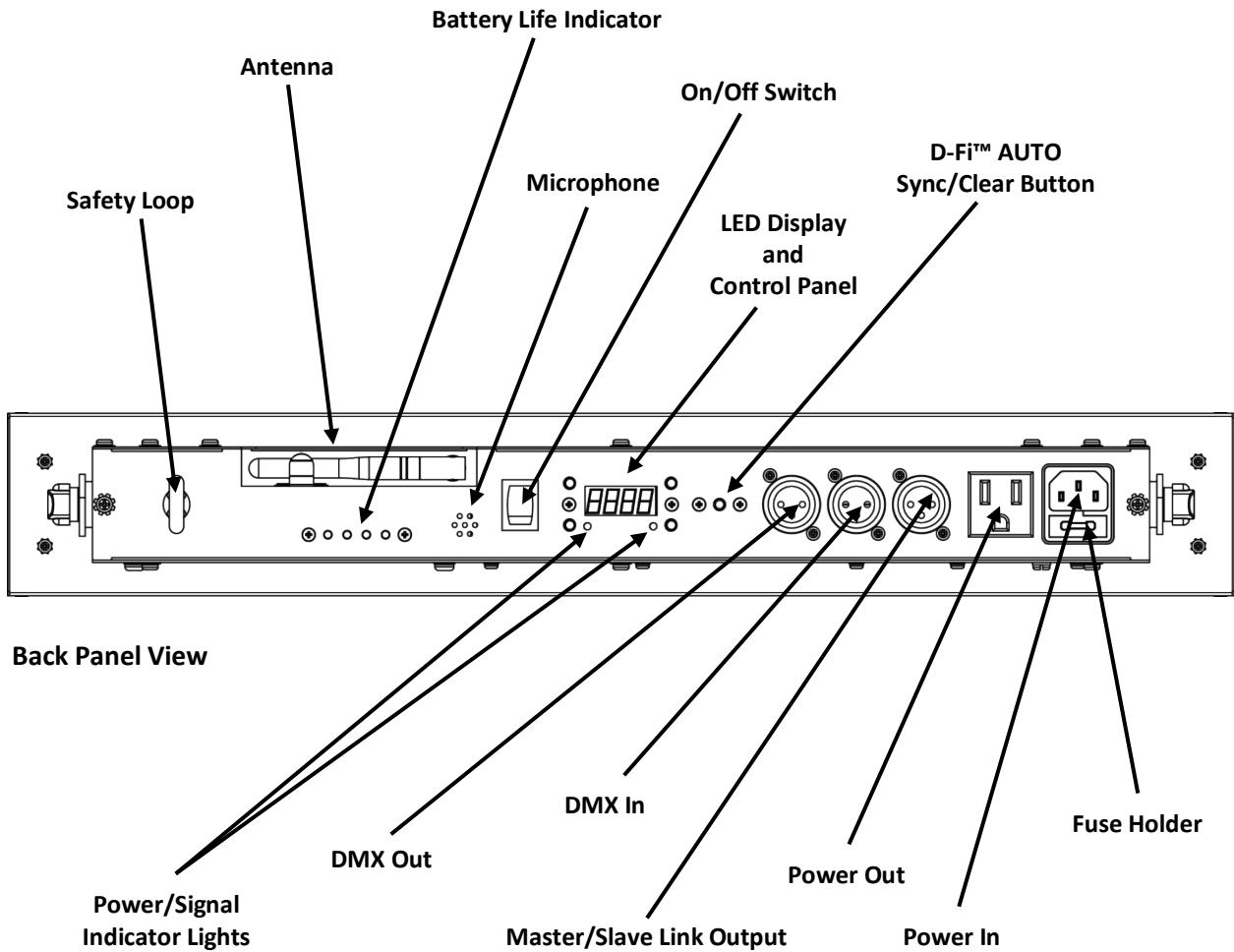
Overview (Freedom™ Par RGBA)



Overview (Freedom™ Par RGBA)

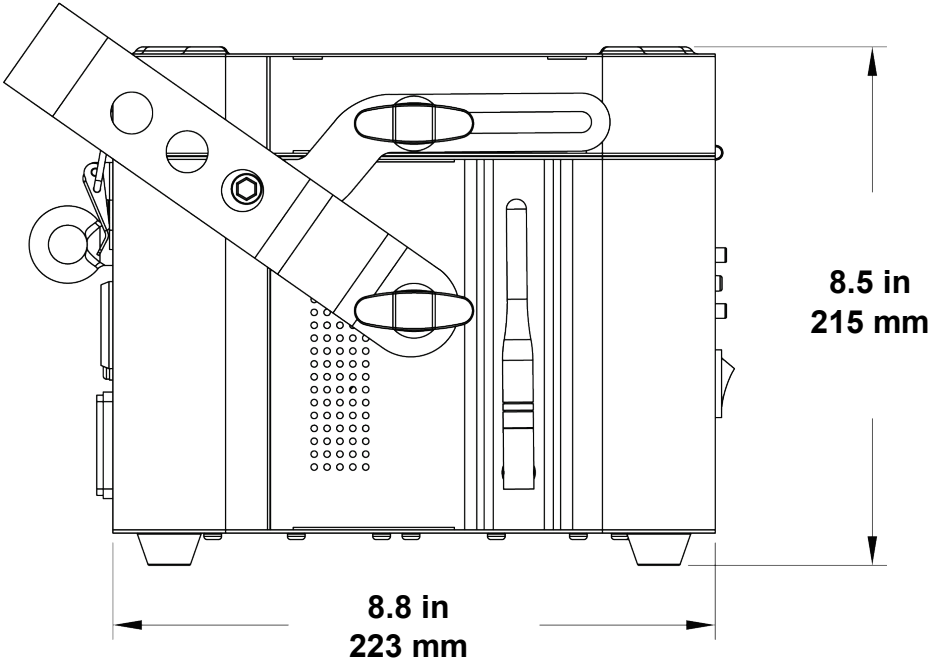
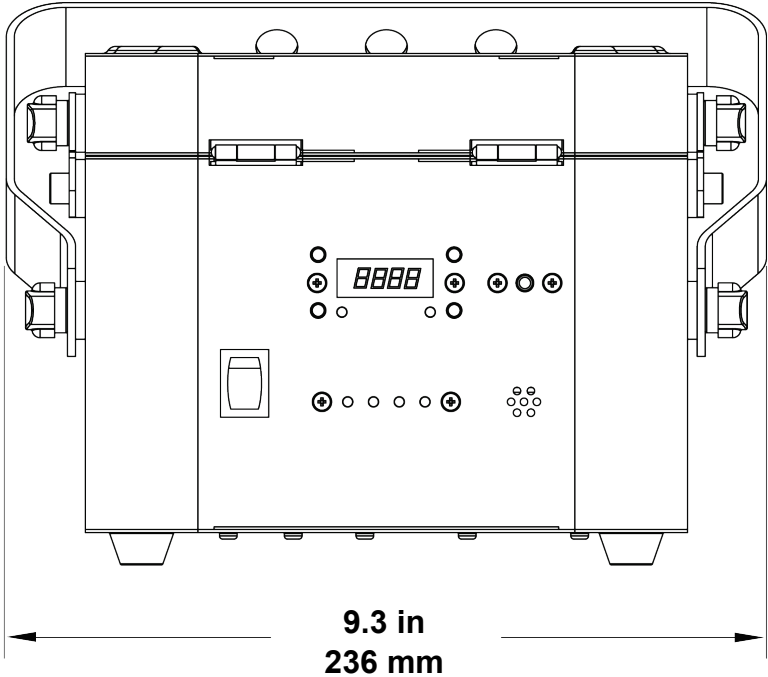


Overview (Freedom™ Strip Mini RGBA)

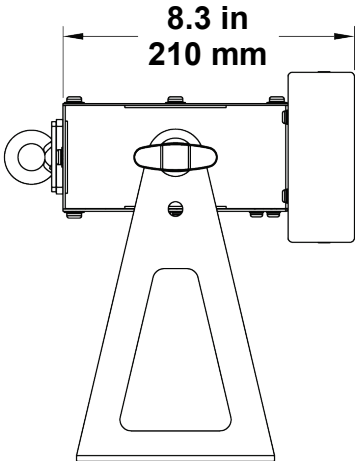
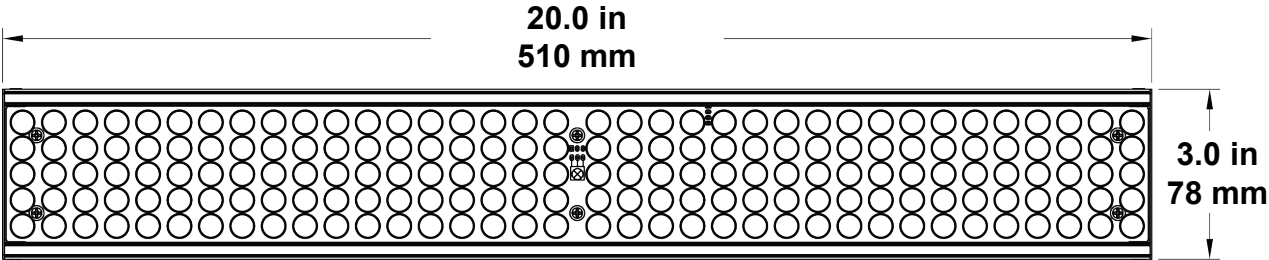


Back Panel View

Dimensions (Freedom™ Par RGBA)



Dimensions (Freedom™ Strip Mini RGBA)



3. SETUP

AC Power The Freedom™ RGBA series has an auto-ranging power supply and it can work with an input voltage range of 100~240 VAC, 50/60 Hz.

To determine the product's power requirements (circuit breaker, power outlet, and wiring), use the current value listed on the label affixed to the product's bottom panel, or refer to the product's specifications chart. The listed current rating indicates the product's average current draw under normal conditions.



Always connect the product to a protected circuit (circuit breaker or fuse). Make sure the product has an appropriate electrical ground to avoid the risk of electrocution or fire.



Never connect the product to a rheostat (variable resistor) or dimmer circuit, even if the rheostat or dimmer channel serves only as a 0–100% switch.

Charging the Battery

The Freedom™ RGBA series comes with a non-user-serviceable lithium-ion battery for cable-free operation.

To charge the Freedom™ RGBA series battery, plug in the power cord at any time before, during, or after operation. To charge the battery before or after operation with all the LEDs off, leave the power switch in the Off position.

Battery Life Indicator

The battery life indicator located on the product displays the remaining amount of internal battery life. Use the chart below to find out how much battery life remains per charge cycle. The light to the far right flashes during charging.

● ● ● ●	Full charge
● ● ● ○	75% charge
● ● ○ ○	50% charge
● ○ ○ ○	25% charge
○ ○ ○ ○	No charge
○ ○ ○ ○	All 4 Flashing Full Discharge



The Freedom™ RGBA series battery should be charged 24 hours prior to initial use for optimal battery life.

Battery Maintenance

To keep the battery in optimal operating condition, store the product in a cool, dry place and charge at least once every 30 days when not in use.

Avoid exposure to extreme temperatures. If the product is exposed to extreme cold or hot temperatures, warm up/cool down the product before use and before charging.

Run-Time Table

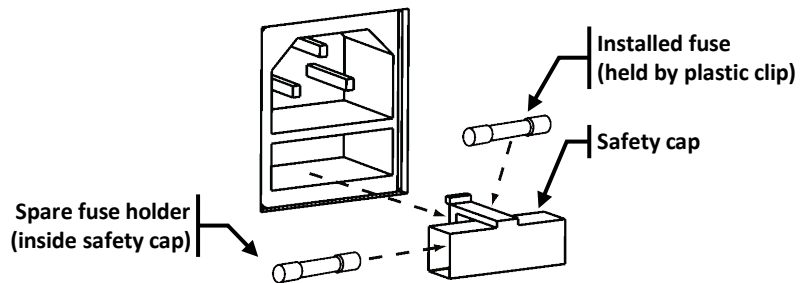
Maximum Run Time	Recharge Time
Up to 8 hours	6 hours

Fuse Replacement



Disconnect the product from power before replacing the fuse.

1. Disconnect the product from power.
2. Wedge the tip of a flat-head screwdriver into the slot of the fuse holder.
3. Pry the fuse holder out of the housing.
4. Remove the blown fuse from the holder.
5. Replace with a fuse of the exact same type and rating.
6. Insert the fuse holder back in place and reconnect power.

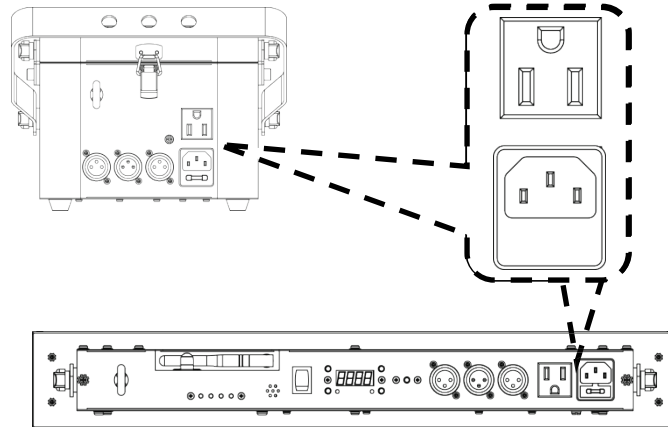


A spare fuse is not included; however, the safety cap has room for a spare.

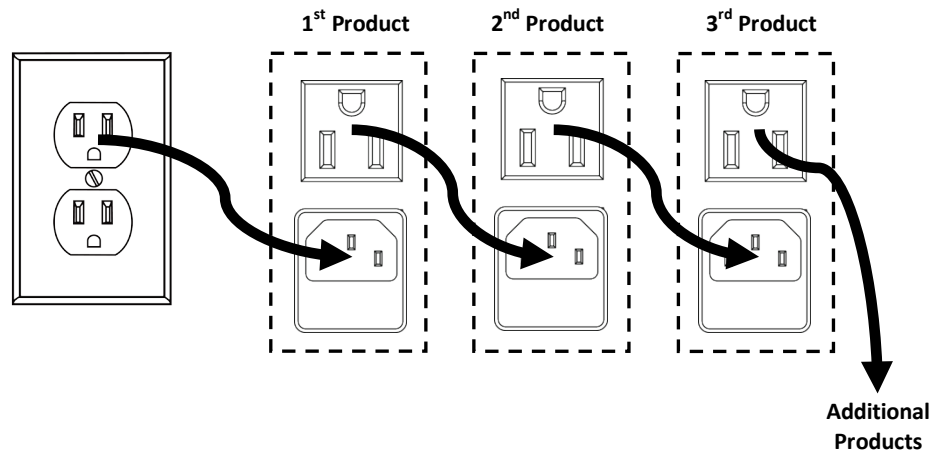


Always replace a blown fuse with one of the same type and rating.

Power Linking The product provides power linking via the IEC outlet located in the back of the unit.



Power Linking Diagram



You can power link up to 16 Freedom™ Par RGBA units on 120 VAC or up to 25 Freedom™ Par RGBA units on 230 VAC.



You can power link up to 16 Freedom™ Strip Mini RGBA units on 120 VAC or up to 25 Freedom™ Strip Mini RGBA units on 230 VAC.

Note: Battery charging speed slows down during power linking.

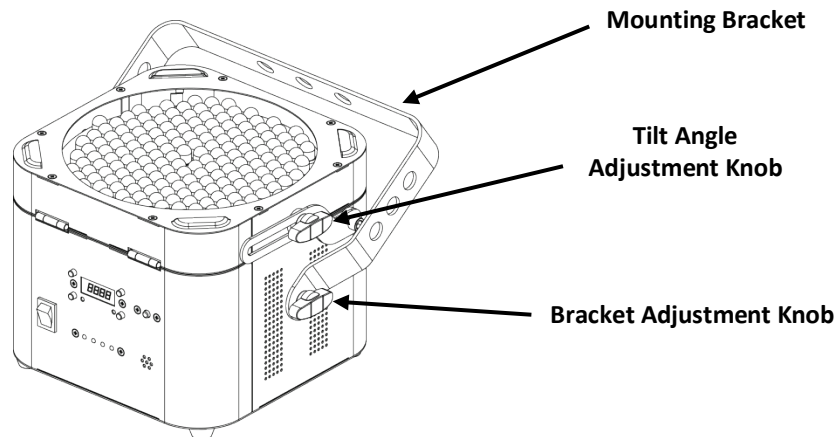


The power linking diagram shown above corresponds to the North American version of the product **ONLY!** If using the product in other markets, you must consult with the local CHAUVET® distributor as power linking connectors and requirements may differ in your country or region.

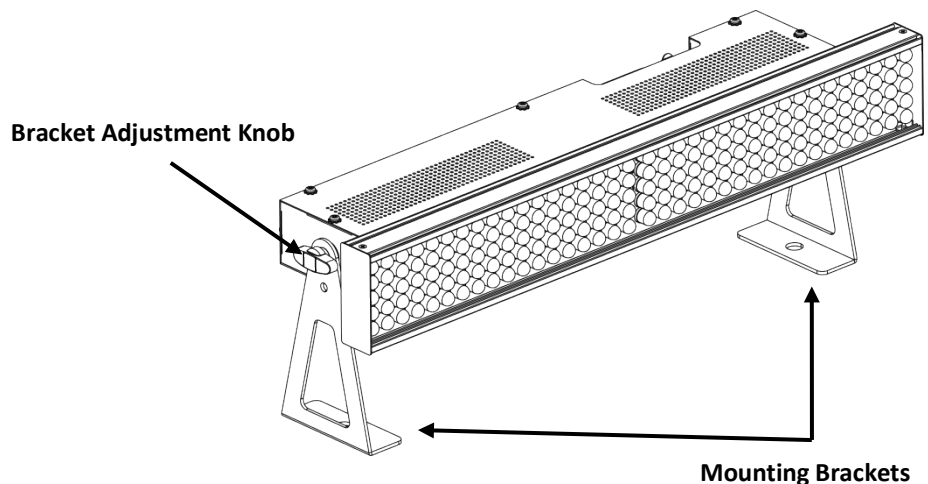
Mounting Before mounting the product, read and follow the safety recommendations of the Safety Notes.

Orientation The Freedom™ RGBA series products may be mounted in any position; however, make sure adequate ventilation is provided.

- Rigging**
- Before deciding on a location, always make sure there is easy access to the product for maintenance and programming.
 - Make sure that the structure or surface onto which you are mounting the product can support the product's weight (see the [Technical Specifications](#)).
 - When mounting the product overhead, always use a safety cable. Mount the product securely to a rigging point, such as an elevated platform or a truss.
 - When rigging the product onto a truss, you should use a mounting clamp of appropriate weight capacity.
 - When power linking multiple products, you must always consider the length of the power linking cable and mount the products close enough for the cable to reach.
 - The bracket adjustment knobs allow for directional adjustment when aiming the product to the desired angle. Only loosen or tighten the bracket knobs manually. Using tools could damage the knobs.
 - The mounting brackets on the Freedom™ Strip Mini RGBA also serve as floor supports/allow for surface mounting. When mounting the product on the floor, make sure that the product and cables are away from people and vehicles.



Mounting Diagram



4. OPERATION

Control Panel Operation To access the control panel functions, use the four buttons surrounding the display.

Button	Function
<MODE>	Selects an operation mode or backs out of the current menu option
<UP>	Scrolls up the list of options or selects a higher value
<DOWN>	Scrolls down the list of options or selects a lower value
<ENTER>	Activates a menu option or a selected value

Menu Map

Mode	Programming Steps		Description	
SYS	SdAd	001–509	Set DMX address	
	d-CH	4CH	Turn on 4-channel DMX mode	
		5CH	Turn on 5-channel DMX mode	
	S-tr	tA.S	t-AU	Automatically select transmit frequency (for IR use)
		t.CH	t001–t016	Manually select transmit frequency (for IR use)
		drA.S	dr.AU	Automatically select receive frequency (for DMX use)
		dr.CH	dr.01–dr.16	Manually select receive frequency (for DMX use)
		dtA.S	dt.AU	Automatically select transmit frequency (for DMX use)
		dt.CH	dt.01–dt.16	Manually select transmit frequency (for DMX use)
	d-SL	SL.00–SL.32	Set sound sensitivity (DMX mode)	
	SAAd		Reset software	
	ACT (extra levels not available in all programs)	A001–A026	F.000–F.100	Flash speed (slow to fast)
			SL.00–SL.32	Sound sensitivity (Automatic mode)
P.000–P.100			Run speed (slow to fast)	
C.000–C.100			Blue (only available in A023)	
Y.000–Y.100			Amber (only available in A023)	
ACTC (extra levels not available in all programs)	AC01–AC14	F.000–F.100	Flash speed (slow to fast)	
		SL.00–SL.32	Sound sensitivity (Automatic mode)	
		P.000–P.100	Run speed (slow to fast)	
		C.000–C.100	Blue (only available in AC13)	
SLAv	rA.S	r-AU	Automatically select receive frequency (for IR use)	
	r-St	r001–r016	Manually select receive frequency (for IR use)	
S-Ir		Infrared connection with IRC (Infrared Remote Control) only		

Configuration (DMX)

Set the product in DMX mode to control with a DMX controller.

1. Connect the product to a suitable power outlet.
2. Turn the product on.
3. Connect a DMX cable from the DMX output of the DMX controller to the DMX input socket on the product.

Starting Address

When selecting a starting DMX address, always consider the number of DMX channels the selected DMX mode uses. If you choose a starting address that is too high, you could restrict access to some of the product's channels.

The Freedom™ RGBA series uses up to 5 DMX channels in its 5-CH DMX mode, which defines the highest configurable address to **505**.

If unfamiliar with DMX, download the DMX Primer from www.chauvetlighting.com.

To select the starting address, do the following:

1. Press **<MODE>** repeatedly until **SYS**, **ACt**, **ACtC**, **SLAv**, or **S-Ir** shows on the display.
2. Use **<UP>** or **<DOWN>** to select **SYS**.
3. Press **<ENTER>**.
4. Use **<UP>** or **<DOWN>** to select **SdAd**.
5. Press **<ENTER>**.
6. Use **<UP>** or **<DOWN>** to select the starting address.
7. Press **<ENTER>**.

DMX Personalities

The Freedom™ RGBA series has 2 DMX personalities. One is a basic 4-channel personality, and the other is a more advanced 5-channel personality.

To select either the 4- or 5-channel personality, do the following:

1. Press **<MODE>** repeatedly until **SYS**, **ACt**, **ACtC**, **SLAv**, or **S-Ir** shows on the display.
2. Use **<UP>** or **<DOWN>** to select **SYS**.
3. Press **<ENTER>**.
4. Use **<UP>** or **<DOWN>** to select **d-CH**.
5. Press **<ENTER>**.
6. Use **<UP>** or **<DOWN>** to select either **4CH** (4-channel mode) or **5CH** (5-channel mode).
7. Press **<ENTER>**.

DMX Channel Modes, Assignments, and Values

5-CH	Channel	Function	Value	CH.2	CH.3	CH.4	CH.5
1		Blackout	000 ⇔ 008		Flash speed 000 ⇔ 249 Sound-Active 250 ⇔ 255		
		Red	009 ⇔ 017				
		Green	018 ⇔ 026				
		Blue	027 ⇔ 035				
		Amber	036 ⇔ 044				
		Red + Green	045 ⇔ 053				
		Red + Blue	054 ⇔ 062				
		Red + Amber	063 ⇔ 071				
		Green + Blue	072 ⇔ 080				
		Blue + Amber	081 ⇔ 089				
		Red + Green + Blue	090 ⇔ 098				
		Green + Amber	099 ⇔ 107				
		Red + Green + Amber	108 ⇔ 116				
		Red + Blue + Amber	117 ⇔ 125				
		Green + Blue + Amber	126 ⇔ 134				
		Red + Green + Blue + Amber	135 ⇔ 143				
		Color Change 1	144 ⇔ 152	Run speed			
		Color Change 2	153 ⇔ 161	Automatic 000 ⇔ 127			
		Color Chase 1	162 ⇔ 170	Sound-Active 128 ⇔ 255			
		Color Chase 2	171 ⇔ 179				
		Color Chase 3	180 ⇔ 188				
		Color Chase 4	189 ⇔ 197				
		Color Change 3	198 ⇔ 206				
		RGBA Mode	207 ⇔ 215	Red (0–100%) 000 ⇔ 255	Green (0–100%) 000 ⇔ 255	Blue (0–100%) 000 ⇔ 255	Amber (0–100%) 000 ⇔ 255
		Color Snap	216 ⇔ 224	Snap speed 000 ⇔ 255			
		Color Fade	225 ⇔ 233	Fade speed 000 ⇔ 255			
		Auto Run (Sound-Active only)	234 ⇔ 255	Run speed Automatic 000 ⇔ 127 Sound-Active 128 ⇔ 255			

Note: The sound sensitivity settings in ACt and ACtC modes have an effect on the sound sensitivity span in DMX mode. For optimal sound sensitivity in DMX mode, first be sure to adjust both ACt and ACtC sound sensitivity settings according to your environment.



- CH.2 must be within operating values for Auto Run to function.
- If the Freedom™ RGBA series product is in Sound-Active mode and there is no sound for 6 seconds, the product will default back to an automatic program. Turn the sound sensitivity down to 128 to avoid this.

4-CH	Channel	Function	Value	Percent
	1	Red	000 ⇔ 255	0–100%
	2	Green	000 ⇔ 255	0–100%
	3	Blue	000 ⇔ 255	0–100%
	4	Amber	000 ⇔ 255	0–100%

Configuration (Standalone)

Set the product in one of the standalone modes to control without a DMX controller.

1. Connect the product to a suitable power outlet.
2. Turn the product on.



Never connect a product that is operating in any standalone mode (Static, Automatic, or Sound) to a DMX string connected to a DMX controller. Products in standalone mode may transmit DMX signals that could interfere with the DMX signals from the controller.

Automatic ACt Mode

To enable the Automatic ACt mode, do the following:

1. Press **<MODE>** repeatedly until **SYS**, **ACt**, **ACtC**, **SLAv**, or **S-Ir** shows on the display.
2. Use **<UP>** or **<DOWN>** to select **ACt**.
3. Press **<ENTER>**.
4. Use **<UP>** or **<DOWN>** to choose your desired program (**A001–A026**).
5. Press **<ENTER>**.

Certain programs will have additional functionality. To find these options, press **<ENTER>** after selecting an auto program. Then press **<UP>** or **<DOWN>** to choose the desired setting. Not every program will feature additional functions.

Function	Description
F.000–F.100	Flash speed (slow to fast)
SL.00–SL.32	Sound sensitivity (Automatic mode)
P.000–P.100	Run speed (slow to fast)
C.000–C.100	Blue
Y.000–Y.100	Amber

ACt Auto Programs	Program		Function
	Program	Function	
	A000	No function	
	A001	Red	
	A002	Green	
	A003	Blue	
	A004	Amber	
	A005	Red + Green	
	A006	Red + Blue	
	A007	Red + Amber	
	A008	Green + Blue	
	A009	Blue + Amber	
	A010	Red + Green + Blue	
	A011	Green + Amber	
	A012	Red + Green + Amber	
	A013	Red + Blue + Amber	
	A014	Green + Blue + Amber	
	A015	Red + Green + Blue + Amber	
	A016	Color change 1	
	A017	Color change 2	
	A018	Color chase 1	
	A019	Color chase 2	
	A020	Color chase 3	
	A021	Color chase 4	
	A022	Color change 3	
	A023	RGB full on	In this channel: P is Red (P.001–P.100) F is Green (F.001–F.100) C is Blue (C.001–C.100) Y is Amber (Y.001–Y.100)
	A024	Color snap	
	A025	Color fade	
	A026	Sound-Active	

Automatic ACtC Mode

The Automatic ACtC (Compatibility) mode allows the Freedom™ RGBA series products to operate in conjunction with previous models in the Freedom™ series.

To enable the Automatic ACtC mode, do the following:

1. Press **<MODE>** repeatedly until **SYS, ACt, ACtC, SLAv, or S-Ir** shows on the display.
2. Use **<UP>** or **<DOWN>** to select **ACtC**.
3. Press **<ENTER>**.
4. Use **<UP>** or **<DOWN>** to choose your desired program (**AC00–AC23**).
5. Press **<ENTER>**.

Certain programs will have additional functionality. To find these options, press **<ENTER>** after selecting an auto program. Then press **<UP>** or **<DOWN>** to select the desired setting. Not every program will feature all the added functionality.

Function	Description
F.000–F.100	Flash speed (slow to fast)
SL.00–SL.32	Sound sensitivity (Automatic mode)
P.000–P.100	Run speed (slow to fast)
C.000–C.100	Blue

ACtC Auto Programs

Program	Function		
AC00	No function		
AC01	Red		
AC02	Green		
AC03	Blue		
AC04	Yellow		
AC05	Purple		
AC06	Cyan		
AC07	White		
AC08	Color change 1		
AC09	Color change 2		
AC10	Color change 3		
AC11	Color change 4		
AC12	Color change 5		
AC13	<table border="1"> <tr> <td>RGB full on</td> <td> In this channel: P is Red (P.000–P.100) F is Green (F.000–F.100) C is Blue (C.000–C.100) </td> </tr> </table>	RGB full on	In this channel: P is Red (P.000–P.100) F is Green (F.000–F.100) C is Blue (C.000–C.100)
RGB full on	In this channel: P is Red (P.000–P.100) F is Green (F.000–F.100) C is Blue (C.000–C.100)		
AC14	Color fade		

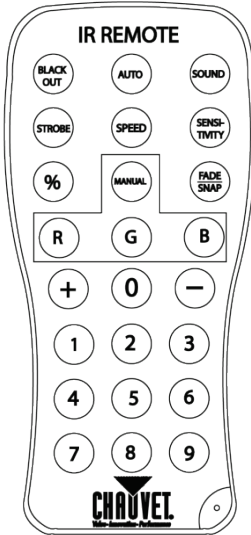
IRC (Infrared Remote Control)

The Freedom™ RGBA series is fully compatible with the Infrared Remote Control (IRC) from CHAUVET® (sold separately).

To set up a Freedom™ RGBA series product to operate with the IRC, do the following:

1. Press **<MODE>** repeatedly until **SYS, Act, ActC, SLAv, or S-Ir** shows on the display.
2. Use **<UP>** or **<DOWN>** to select **S-Ir**.
3. Press **<ENTER>**.
4. Begin using the IRC.

IRC Operation



Automatic Mode

Automatic mode will enable you to run the automatic programs on the product.

To turn on Automatic mode:

1. Press **<AUTO>** on the IRC.
2. Press **<+>** or **<->** to choose between the different auto programs.

To adjust the speed of the automatic program:

1. Press **<SPEED>** on the IRC.
2. Press **<+>** or **<->** to either increase or decrease the speed of the program.

Sound-Active Mode

Sound-Active mode will enable the product to respond to the music.

To turn on Sound-Active mode:

1. Press **<SOUND>** on the IRC.
2. Press **<+>** or **<->** to either increase or decrease reacting sensitivity.

To adjust sound sensitivity in Sound-Active mode:

1. Press **<SENSITIVITY>** on the IRC.
2. Press **<+>** or **<->** to either increase or decrease sound sensitivity.

IRC Operation (cont.)

Manual Color Control

To manually choose a specific color:

1. Press any number from **0–9** on the IRC to choose your color.

Button	Color
0	White
1	Red
2	Orange
3	Yellow
4	Green
5	Cyan
6	Blue
7	Violet/Purple
8	Pink
9	Amber

To manually control the RGB percentage:

1. Press **<MANUAL>** on the IRC.
2. Press **<R>** (red), **<G>** (green), or **** (blue) to choose your color.
3. Press **0–100** to select a percent value.
4. Press **<%>** to set the percent change.

Miscellaneous Operation

To adjust the strobe rate of the program:

1. Press **<STROBE>** on the IRC.
2. Press **<+>** or **<->** to increase or decrease the strobe rate.
3. Press **<STROBE>** again to turn off the strobe.

To change the switching effect of the program:

1. Press **<FADE/SNAP>** on the IRC.

Fade will slowly switch the effect. Snap will rapidly switch the effect.

To black out the lights:

1. Press **<BLACK OUT>** on the IRC.

This will turn off all the lights until the button is pressed again.

NOTE: The IRC will not respond to any inputs when Black Out is activated. If the remote does not respond when a button is pressed, try pressing **<BLACK OUT>**. You may have inadvertently activated Black Out.

D-Fi™ 2.4 GHz (DMX Mode Auto Sync)

The Freedom™ RGBA series offers wireless control of 2 or more products with a single DMX controller. To automatically set up the D-Fi™ syncing function for DMX functionality, do the following:

For the transmitting product:

1. Press **<MODE>** repeatedly until **SYS**, **Act**, **ActC**, **SLAv**, or **S-Ir** shows on the display.
2. Use **<UP>** or **<DOWN>** to select **SYS**.
3. Press **<ENTER>**.
4. Press **<UP>** or **<DOWN>** until **S-tr** appears on the display.
5. Press **<ENTER>**.
6. Press **<UP>** or **<DOWN>** until **dtA.S** shows on the display.
7. Press **<ENTER>** and **dt.AU** shows on the display.

For the receiving product(s):

1. Press **<MODE>** repeatedly until **SYS**, **Act**, **ActC**, **SLAv**, or **S-Ir** shows on the display.
2. Use **<UP>** or **<DOWN>** to select **SYS**.
3. Press **<ENTER>**.
4. Press **<UP>** or **<DOWN>** until **S-tr** shows on the display.
5. Press **<ENTER>**.
6. Press **<UP>** or **<DOWN>** until **drA.S** shows on the display.
7. Press **<ENTER>** and **dr.AU** shows on the display.
8. Press **<AUTO>** for approximately 10 seconds to set the receiving product.

Once the steps above are done, press and hold **<AUTO>** on just the transmitting product for approximately 30 seconds. The display and signal LED will flash to indicate sync is activated.

You can then back out to a general menu level and configure the transmitting product to operate it with a DMX controller.

To configure your product to work with DMX, refer to the [Starting Address](#) section of this manual.

- To add additional compatible Freedom™ products, turn the synced ones off and repeat the above steps with unsynced products. Once all products are synced, turn them all back on.



- Auto scan syncing must be done within a distance of about 32 ft (10 m).
Note: Auto syncing signals might be blocked if the transmitting product and the receiving product are too close to each other. If they are unable to become synchronized, move them farther apart and try syncing them again.



- If you are experiencing antenna issues or need to improve signal quality, extend the antenna outward away from the product and keep the line of sight between products unobstructed.
- Ensure that all linked products are configured to the same DMX personality (either 4-channel or 5-channel).
- **Caution:** D-Fi™ operation can be interrupted or inhibited by liquid masses between the transmitter and receiver such as water, snow, or people. For best results, please keep the antenna clear of any liquid mass.

D-Fi™ 2.4 GHz (DMX Mode Manual Sync)

The Freedom™ RGBA series offers wireless control of 2 or more products with a single DMX controller. To manually set up the D-Fi™ syncing function for DMX functionality, do the following:

For the transmitting product:

1. Press **<MODE>** repeatedly until **SYS**, **ACt**, **ACtC**, **SLAv**, or **S-Ir** shows on the display.
2. Use **<UP>** or **<DOWN>** to select **SYS**.
3. Press **<ENTER>**.
4. Press **<UP>** or **<DOWN>** until **S-tr** shows on the display.
5. Press **<ENTER>**.
6. Press **<UP>** or **<DOWN>** until **dt.CH** shows on the display.
7. Press **<ENTER>**.
8. Use **<UP>** or **<DOWN>** to select the transmitting signal (**dt.01–dt.16**).

For the receiving product(s):

1. Press **<MODE>** repeatedly until **SYS**, **ACt**, **ACtC**, **SLAv**, or **S-Ir** shows on the display.
2. Use **<UP>** or **<DOWN>** to select **SYS**.
3. Press **<ENTER>**.
4. Press **<UP>** or **<DOWN>** until **S-tr** shows on the display.
5. Press **<ENTER>**.
6. Press **<UP>** or **<DOWN>** until **dr.CH** shows on the display.
7. Press **<ENTER>**.
8. Use **<UP>** or **<DOWN>** to select the receiving signal (**dr.01–dr.16**). The channel number should match the transmitting signal you chose in the prior steps.

Once the steps above are done, you can then back out to a more general menu level and configure the transmitting product to operate it with a DMX controller.

To configure your product to work with DMX, refer to the Starting Address section of the Operation section of this manual.



- **If you are experiencing antenna issues or need to improve signal quality, extend the antenna outward away from the product and keep the line of sight between products unobstructed.**
- **Ensure that all linked products are configured to the same DMX personality (either 4-channel or 5-channel).**
- **To sync multiple transmitters in one room, manually set each receiver and the designated transmitter to a specific frequency and then perform the syncing steps.**

D-Fi™ 2.4 GHz (IR/Standalone Mode Auto Sync)

The Freedom™ RGBA series can be configured to control 2 or more products with no external controllers or with the IRC from CHAUVET® (sold separately). To automatically set up the D-Fi™ syncing function for IR/standalone functionality, do the following:

For the transmitting product:

1. Press **<MODE>** repeatedly until **SYS**, **ACt**, **ACtC**, **SLAv**, or **S-Ir** shows on the display.
2. Use **<UP>** or **<DOWN>** to select **SYS**.
3. Press **<ENTER>**.
4. Press **<UP>** or **<DOWN>** until **S-tr** shows on the display.
5. Press **<ENTER>**.
6. Press **<UP>** or **<DOWN>** until **tA.S** shows on the display.
6. Press **<ENTER>** and **t-AU** shows on the display.

For the receiving product(s):

1. Press **<MODE>** repeatedly until **SYS**, **ACt**, **ACtC**, **SLAv**, or **S-Ir** shows on the display.
2. Use **<UP>** or **<DOWN>** to select **SLAv**.
3. Press **<ENTER>**.
4. Press **<UP>** or **<DOWN>** until **rA.S** shows on the display.
5. Press **<ENTER>** and **r-AU** shows on the display.
6. Press **<AUTO>** for approximately 10 seconds to set the receiving product.

Once the steps above are done, press and hold **<AUTO>** on just the transmitting product for approximately 30 seconds. The display and signal LED will flash to indicate sync is activated.

You can then back out to a more general menu level and configure the transmitting product to operate it in Automatic mode or with an IRC (sold separately).

To configure your product to work in one of the automatic modes, read the [Configuration \(Standalone\)](#) and specific automatic mode sections of this manual.

To configure your product to work with the CHAUVET® IRC, refer to the [IRC \(Infrared Remote Control\)](#) section of this manual.

- To add additional compatible Freedom™ products, turn the synced ones off and repeat the above steps with unsynced products. Once all products are synced, turn them all back on.
- Auto scan syncing must be done within a distance of about 30 ft (10 m).
Note: Auto syncing signals might be blocked if the transmitting product and the receiving product are too close to each other. If they are unable to become synchronized, move them farther apart and try syncing them again.
- While using the D-Fi™ syncing function, the transmitting product can also be connected to other compatible Freedom™ series products using DMX linking.



- If you are experiencing antenna issues or need to improve signal quality, extend the antenna outward away from the product and keep the line of sight between products unobstructed.

D-Fi™ 2.4 GHz (IR/Standalone Mode Manual Sync)

The Freedom™ RGBA series can be configured to control 2 or more products with no external controllers or with the IRC from CHAUVET® (sold separately). To manually set up the D-Fi™ syncing function for IR/standalone functionality, do the following:

For the transmitting product:

1. Press **<MODE>** repeatedly until **SYS, Act, ACTc, SLAv**, or **S-Ir** shows on the display.
2. Use **<UP>** or **<DOWN>** to select **SYS**.
3. Press **<ENTER>**.
4. Press **<UP>** or **<DOWN>** until **S-tr** shows on the display.
5. Press **<ENTER>**.
6. Press **<UP>** or **<DOWN>** until **t.CH** shows on the display.
7. Press **<ENTER>**.
8. Use **<UP>** or **<DOWN>** to select the transmitting signal (**t001–t016**).

For the receiving product(s):

1. Press **<MODE>** repeatedly until **SYS, Act, ACTc, SLAv**, or **S-Ir** shows on the display.
2. Use **<UP>** or **<DOWN>** to select **SLAv**.
3. Press **<ENTER>**.
4. Press **<UP>** or **<DOWN>** until **r-St** shows on the display.
5. Press **<ENTER>**.
6. Use **<UP>** or **<DOWN>** to select the receiving signal (**r001–r016**). The channel number should match the transmitting signal you chose in the prior steps.

Once the steps above are done, you can then back out and configure the transmitting product to operate it in either Automatic mode or with an IRC (sold separately).

To configure your product to work in automatic mode, refer to the Automatic mode sections of the Operation section of this manual.

To configure your product to work with the CHAUVET® IRC, refer to the IRC (Infrared Remote Control) section of the Operation section of this manual.



- **While using the D-Fi™ syncing function, the transmitting product can also be connected to other compatible Freedom™ series products using DMX linking.**



- **If you are experiencing antenna issues or need to improve signal quality, extend the antenna outward away from the product and keep the line of sight between products unobstructed.**
- **To sync multiple transmitters in one room, manually set each receiver and the designated transmitter to a specific frequency and then perform the syncing steps.**



- **The Freedom™ series is fully compatible with the D-Fi™ 2.4 GHz wireless transceiver (transmitter/receiver) from CHAUVET® (sold separately).**
- **For more detailed information about D-Fi™ functionality, refer to the D-Fi™ 2.4 GHz User Manual available at the CHAUVET® website: www.chauvetlighting.com.**

Master/Slave Mode

The Master/Slave mode allows a single Freedom™ RGBA series unit (the “master”) to control the actions of one or more Freedom™ RGBA series units (the “slaves”) without the need of a DMX controller. The master unit will be set to operate in Automatic or Sound-Active mode, while the slave units will be set to operate in Slave mode. Once set and connected, the slave units will operate in unison with the master unit.

Configure the units as indicated below.

Slave units:

1. Connect the DMX input of the first slave unit to the DMX link output of the master. The slave unit automatically switches to Slave mode and **SLA** shows on the display.
2. Connect the DMX input of the subsequent slave units to the DMX link output of the previous slave.
3. Finish setting and connecting all the slave units.

Master unit:

1. Set the master unit to operate in Automatic or Sound-Active mode.
2. Make the master unit the first unit in the DMX daisy chain.



- **Never connect a DMX controller to a DMX string configured for Master/Slave operation because the controller may interfere with the signals from the master unit.**
- **Do not connect more than 31 slave units to the master unit.**

Master/Slave Runway Effect

The Master/Slave Runway effect enables a single Freedom™ RGBA series unit (the “master”) to control the actions of one or more other Freedom™ RGBA series units (the “slaves”) in sequential order for a “runway” effect without the need of a DMX controller. The master unit will be set to operate in specific Automatic modes, while the slave units will be set to operate in Slave mode. Once set and connected, the slave units will operate in unison with the master unit.

Configure the units as indicated below.

1. Connect the DMX input of the first slave unit to the DMX link output of the master. The slave unit automatically switches to Slave mode and **SLA** shows on the display.
2. Connect the DMX input of the subsequent slave units to the DMX link output of the previous slave.
3. Once your DMX connections are complete, reset the software in the master unit using the steps below. This will also reset the software of all connected slave units.
 - a. Press **<MODE>** repeatedly until **SYS**, **ACT**, **ACTC**, **SLAv**, or **S-Ir** shows on the display.
 - b. Use **<UP>** or **<DOWN>** to select **SYS**.
 - c. Press **<ENTER>**.
 - d. Press **<UP>** or **<DOWN>** until **SAAd** shows on the display.
 - e. Press **<ENTER>**.
4. On the master unit, choose the automatic mode as described in the [Automatic ACT Mode](#) section of this manual. The only auto programs that can achieve this functionality are ACT auto programs **A018–A021**.

5. TECHNICAL INFORMATION

Product Maintenance

Dust build-up reduces light output performance and can cause overheating. This can lead to reduction of the light source's life. To maintain optimum performance and minimize wear, clean the product at least twice a month. However, usage and environmental conditions may require more frequent cleaning.

To clean the product, follow the instructions below:

- Unplug the product from power.
- Wait until the product is at room temperature.
- Use a vacuum (or dry compressed air) and a soft brush to remove dust collected on the external surface/vents.
- Clean all transparent surfaces with a mild soap solution, ammonia-free glass cleaner, or isopropyl alcohol.
- Apply the solution directly to a soft, lint-free cotton cloth or a lens cleaning tissue.
- Softly wipe any dirt or grime to the outside edge of the transparent surface.
- Gently polish the transparent surfaces until they are free of haze and lint.



Always dry the transparent surfaces carefully after cleaning them.

6. TECHNICAL SPECIFICATIONS

Dimensions and Weight

Length (Par)	Width (Par)	Height (Par)	Weight (Par)
9.3 in (236 mm)	8.8 in (223 mm)	8.5 in (215 mm)	7.4 lbs (3.4 kg)
Length (Strip Mini)	Width (Strip Mini)	Height (Strip Mini)	Weight (Strip Mini)
20.0 in (510 mm)	8.3 in (210 mm)	3.0 in (78 mm)	7.6 lbs (3.4 kg)

Note: Dimensions in inches rounded to the nearest decimal digit.

Note: Unless otherwise indicated, all specifications are applicable to both the Freedom™ Par RGBA and the Freedom™ Strip Mini RGBA.

Power

Power Supply Type	Range	Voltage Selection
Switching (internal)	100~240 V, 50/60 Hz	Auto-ranging
Freedom™ Par RGBA	120 V, 60 Hz	230 V, 50 Hz
Consumption	71 W	94 W
Operating current	0.6 A	0.4 A
Power linking current (units)	10 A (16 units)	10 A (25 units)
Fuse	F 2 A, 250 V	F 2 A, 250 V
Freedom™ Strip Mini RGBA	120 V, 60 Hz	230 V, 50 Hz
Consumption	71 W	94 W
Operating current	0.6 A	0.4 A
Power linking current (units)	10 A (16 units)	10 A (25 units)
Fuse	F 2 A, 250 V	F 2 A, 250 V
Power I/O	U.S./Worldwide	UK/Europe
Power input connector	IEC	IEC
Power output connector	Edison	IEC
Power cord plug	Edison (U.S.)	Local plug

Light Source

Type	Power	
LED	0.25 W	
Color	Freedom™ Par RGBA	Freedom™ Strip Mini RGBA
Red	46	50
Green	42	50
Blue	46	50
Amber	46	50

Photo Optic

Parameter	Freedom™ Par RGBA	Freedom™ Strip Mini RGBA
Illuminance @ 2 m	1,390 lx	1,370 lx
Beam angle	15°	13°
Field angle	24°	24°

Battery and Wireless

Parameter	
Maximum run time	Up to 8 hrs
Recharge time	6 hrs
Operating frequency	2.433–2.481 GHz

Thermal

Maximum External Temp.	Cooling System
104° F (40° C)	Fan

DMX

I/O Connectors	Connector Type	Channel Range
3-pin XLR	Sockets	4, 5

Ordering

Product Name	Item Code	UPC Number
Freedom™ Par RGBA	02030608	781462209568
Freedom™ Strip Mini RGBA	02030609	781462209575

RoHS



To return a product or request support:

- In the U.S., contact CHAUVET® World Headquarters (see below).
- In the UK or Ireland, contact CHAUVET® Europe Ltd. (see below).
- In any other country, DO NOT contact CHAUVET®. Contact your distributor. See www.chauvetlighting.com for distributors outside the U.S., United Kingdom, or Ireland.



If you live outside the U.S., United Kingdom, or Ireland, contact your distributor of record and follow their instructions on how to return CHAUVET® products to them. Visit our website for contact details.

Returns

Call the corresponding CHAUVET® Technical Support office and request a Return Merchandise Authorization (RMA) number before shipping the product. Be prepared to provide the model number, serial number, and a brief description of the cause for the return.

You must send the merchandise prepaid, in its original box, and with its original packing and accessories. CHAUVET® will not issue call tags.

Clearly label the package with the RMA number. CHAUVET® will refuse any product returned without an RMA number.



Write the RMA number on a properly affixed label. DO NOT write the RMA number directly on the box.

Before sending the product, clearly write the following information on a piece of paper and place it inside the box:

- Your name
- Your address
- Your phone number
- The RMA number
- A brief description of the problem

Be sure to pack the product properly. Any shipping damage resulting from inadequate packaging will be your responsibility. FedEx packing or double-boxing are recommended.



CHAUVET® reserves the right to use its own discretion to repair or replace returned product(s).

Contact Us

World Headquarters

CHAUVET®

General Information

Address: 5200 NW 108th Avenue
Sunrise, FL 33351
Voice: (954) 577-4455
Fax: (954) 929-5560
Toll free: (800) 762-1084

Technical Support

Voice: (954) 577-4455 (Press 4)
Fax: (954) 756-8015
Email: tech@chauvetlighting.com

World Wide Web

www.chauvetlighting.com

United Kingdom & Ireland

CHAUVET® Europe Ltd.

General Information

Address: Unit 1C
Brookhill Road Industrial Estate
Pinxton, Nottingham, UK
NG16 6NT
Voice: +44 (0)1773 511115
Fax: +44 (0)1773 511110

Technical Support

Email: uktech@chauvetlighting.com

World Wide Web

www.chauvetlighting.co.uk

1. ANTES DE EMPEZAR

- Qué va Incluido**
- Freedom™ Par RGBA
 - Cable de alimentación
 - Tarjeta de garantía
 - Freedom™ Strip Mini RGBA
 - Manual de usuario

Instrucciones de Desembalaje Desembale el producto con cuidado inmediatamente y compruebe la caja para asegurarse de que todas las piezas están en el paquete y en buen estado.




Reclamaciones Si la caja o el contenido (el producto y los accesorios incluidos) parecen dañados a causa del transporte o muestran signos de manipulación inadecuada, notifíquesele inmediatamente al transportista, y no a CHAUVET®. No comunicar los daños inmediatamente al transportista puede conllevar la anulación de la reclamación. Además, quédese con la caja y los contenidos para su inspección.

Para otras incidencias, como componentes o piezas que falten, daños no relacionados con el transporte o daños no evidentes, presente una reclamación a CHAUVET® en el plazo de 7 días de la entrega.

Convenciones de Texto

Convención	Significado
1–512	Un rango de valores
50/60	Un conjunto de valores de los cuales solo se puede escoger uno
Settings	Una opción de menú que no se puede modificar
Menu > Settings	Una secuencia de opciones de menú que ha de seguirse
<ENTER>	Una tecla que se tiene que pulsar en el panel de control del producto
ON	Un valor que se tiene que introducir o seleccionar

Símbolos

Símbolo	Significado
	Instalación, configuración o información sobre funcionamiento crítica. No seguir estas instrucciones puede hacer que el producto no funcione, provocar averías en el producto o causar daños al operario.
	Instalación o información de configuración importante. El producto puede no funcionar correctamente si esta información no se usa.
	Información útil.

Exención de Responsabilidad

La información y especificaciones contenidas en este Manual de Usuario están sujetas a cambio sin previo aviso. CHAUVET® no asume responsabilidad de ningún tipo por cualquier error u omisión, y se reserva el derecho a revisar o rehacer este manual en cualquier momento. Descargue la última versión de www.chauvetlighting.com.











© Copyright 2012 CHAUVET® Todos los derechos reservados.

Impreso en la R. P. China.

Publicación en formato electrónico por CHAUVET® en EE.UU.

Autor	Fecha	Editor	Fecha
A. Leon	3/12/2012	S. Diaz	13/12/2012

El Producto de un Vistazo

Uso en Atenuador		Programas Automáticos	
Uso en exteriores		Fuente de alimentación con detección automática	
Activado por sonido		Fusible reemplazable	
DMX		Reparable por el usuario	
Maestro/Esclavo		Ciclo de trabajo	

Notas de Seguridad

Estas notas incluyen información importante de seguridad sobre el montaje, uso y mantenimiento de este product.



- Conecte siempre el producto a un circuito con toma de tierra para evitar el riesgo de electrocución.
- Desconecte siempre el producto de la fuente de alimentación antes de limpiarlo o cambiar el fusible.
- Evite la exposición directa de los ojos a la fuente de luz mientras es producto esté encendido.
- Asegúrese de que el cable de alimentación no está retorcido ni estropeado.
- Nunca desconecte este producto de la alimentación agarrando o tirando del cable.
- Si monta el producto en alto, asegure siempre a un dispositivo de seguridad usando cable de seguridad.
- Asegúrese de que no hay materiales inflamables cerca del producto cuando esté en funcionamiento.
- No toque la carcasa del producto cuando esté en funcionamiento, porque podría estar muy caliente.



- Asegúrese siempre de que la tensión del enchufe al que conecte el producto está en el rango establecido en el grabado o en el panel inferior del producto.
- ¡El producto es para uso en interiores solamente! (IP20) Para evitar riesgos de incendio o descarga, no exponga el producto a la lluvia o la humedad.
- Instale siempre el producto en una ubicación con ventilación adecuada, al menos a 20" (50 cm) de superficies adyacentes.
- Asegúrese de que ninguna ranura de ventilación en la carcasa del producto queda bloqueada.
- Nunca conecte el producto a un atenuador.
- Asegúrese de sustituir el fusible con otro del mismo tipo y categoría.
- Nunca arrastre el producto agarrando por el cable de alimentación o por cualquier parte móvil. Use siempre el soporte de montar/colgar.
- La máxima temperatura ambiente (Ta) es de 104° F (40° C). No haga funcionar el producto a temperaturas más altas.
- En caso de un problema grave de funcionamiento, deje de usar el producto inmediatamente.
- Nunca intente reparar el producto. Las reparaciones llevadas a cabo por personal no cualificado pueden provocar averías o funcionamiento defectuoso. Póngase en contacto con el centro de asistencia técnica autorizado más cercano.
- Este producto no está concebido para una instalación permanente.



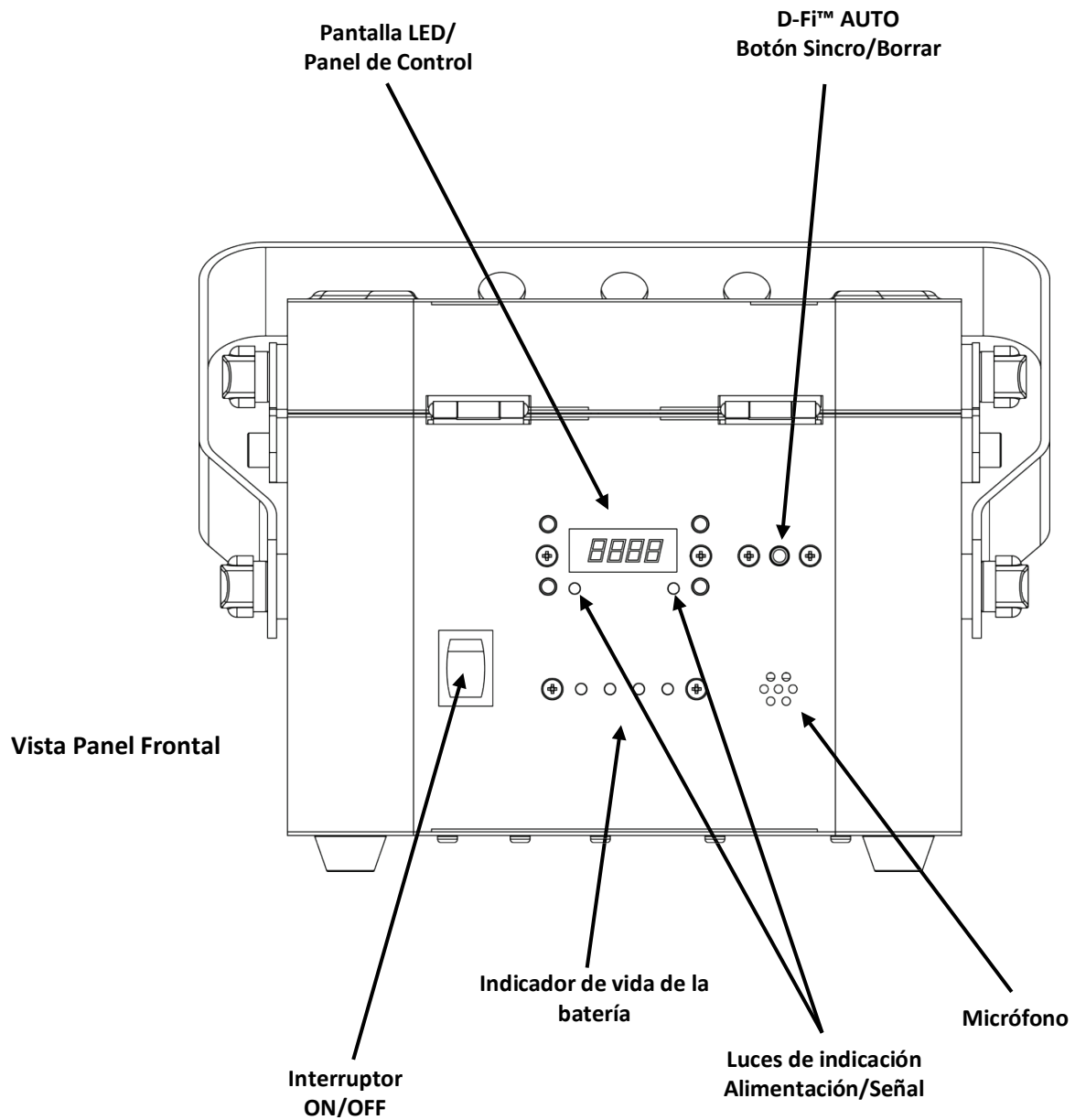
- Guarde este Manual de Usuario para futuro uso. Si vende el producto a otro usuario, asegúrese de entregar el presente documento al nuevo dueño.



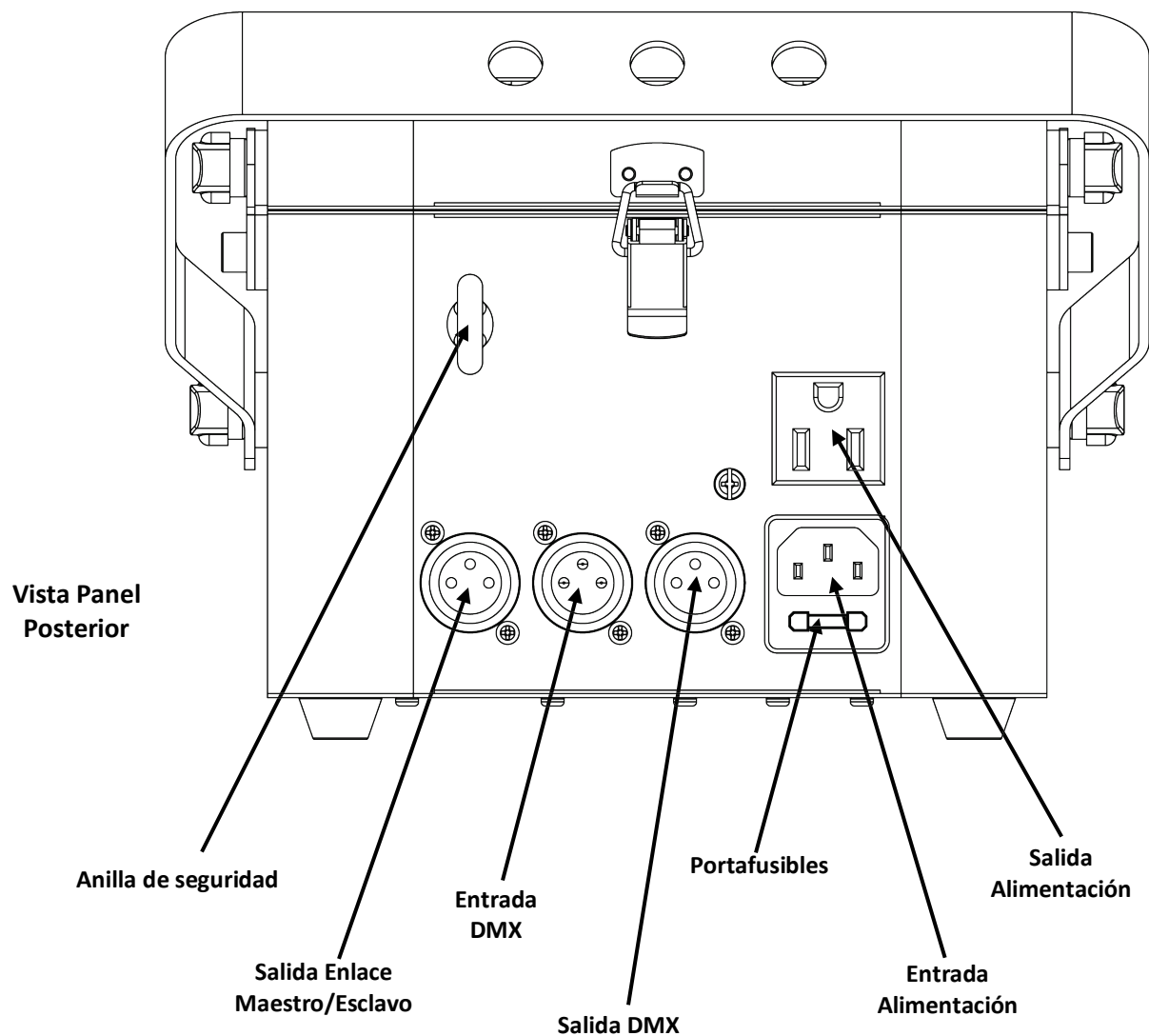
Los productos de la serie Freedom™ Quad 5 contienen baterías recargables. Estas baterías contienen productos químicos peligrosos que no se pueden desechar con la basura doméstica. Póngase en contacto con el servicio de recogida de basuras de su zona para información sobre el reciclaje cuando se deshaga de su producto.

2. INTRODUCCIÓN

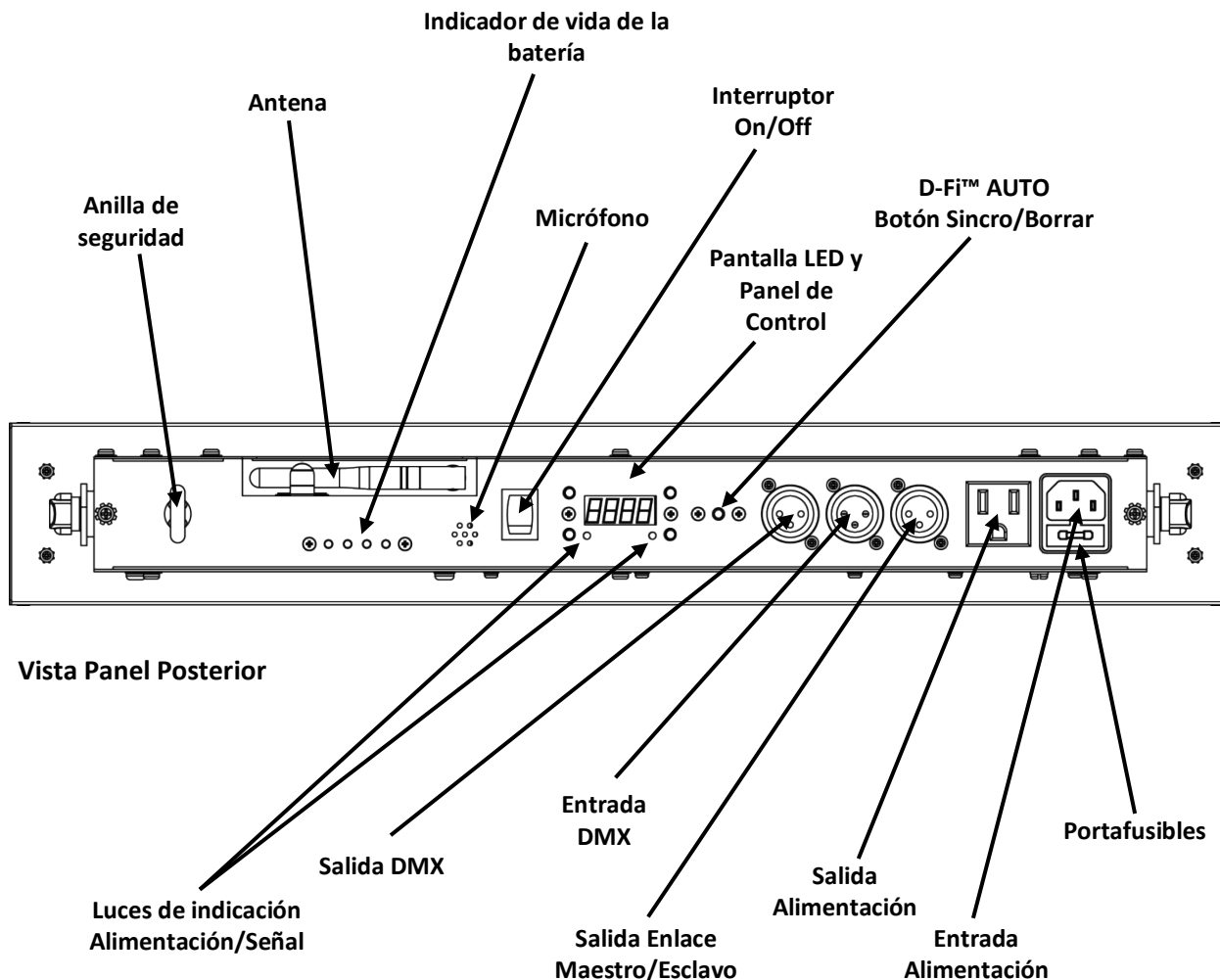
Visión General (Freedom™ Par RGBA)



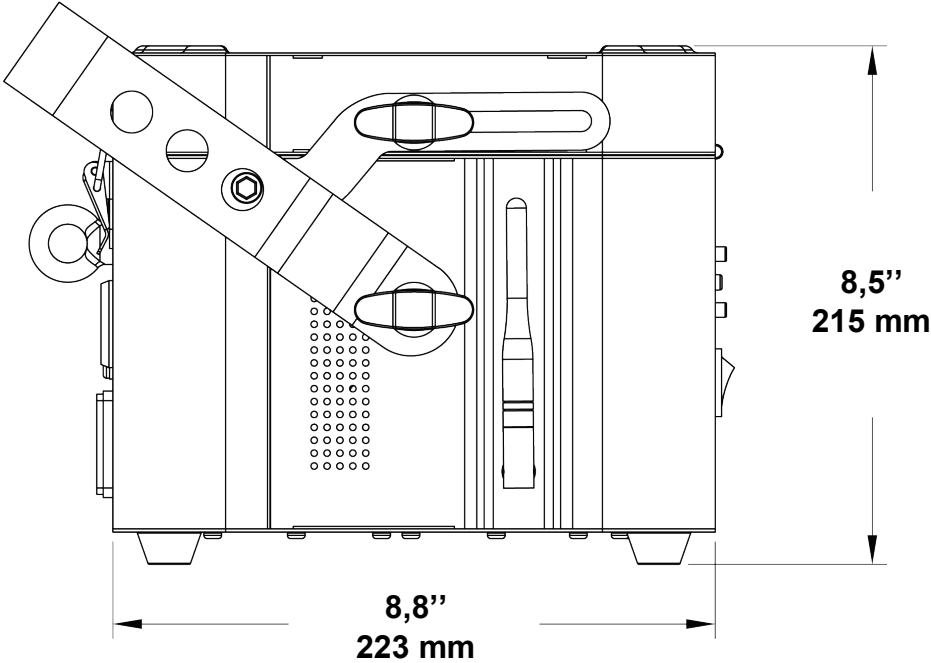
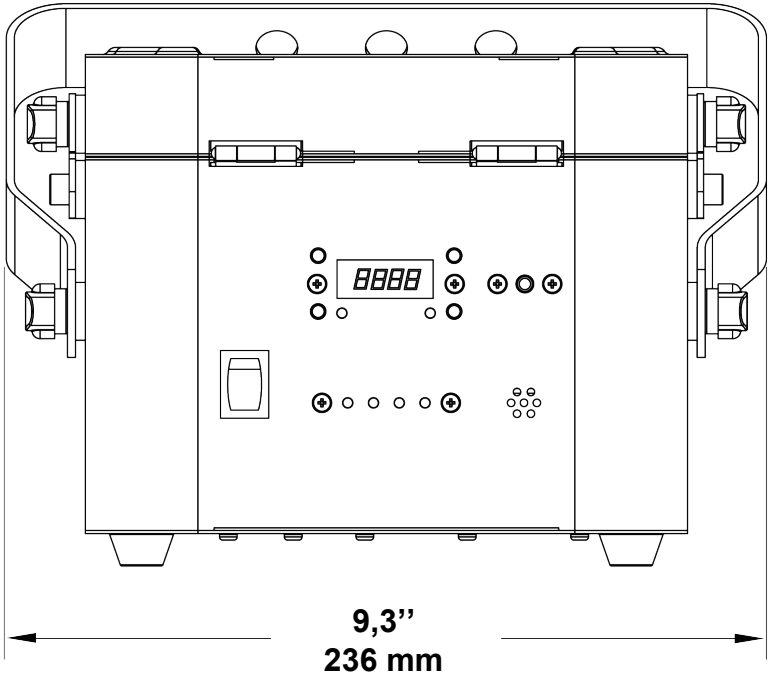
Visión General (Freedom™ Par RGBA)



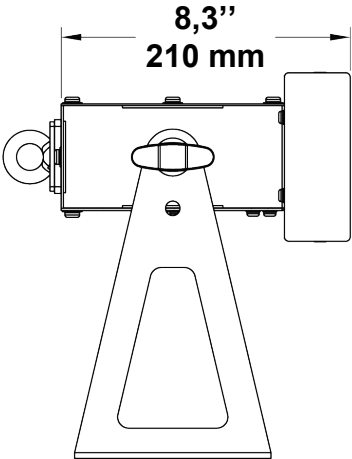
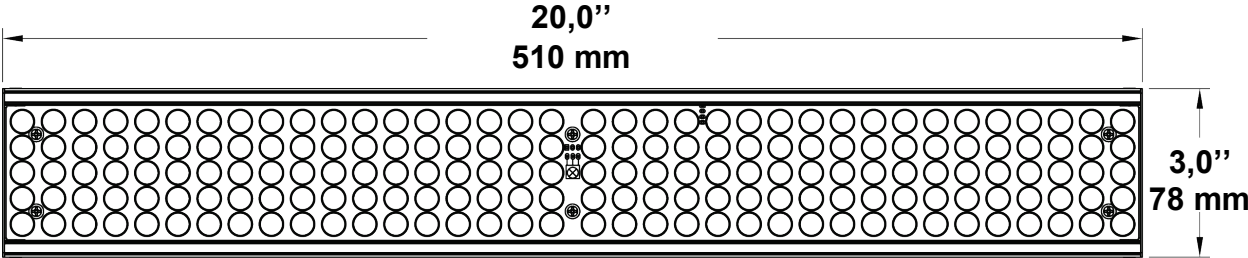
Visión General (Freedom™ Strip Mini RGBA)



Dimensiones (Freedom™ Par RGBA)



Dimensiones (Freedom™ Strip Mini RGBA)



3. INSTALACIÓN

Corriente Alterna

La serie Freedom™ RGBA tiene una fuente de alimentación con detección automática que puede funcionar con un rango de tensión de entrada de 100~240 VCA, 50/60 Hz.

Para determinar los requerimientos de alimentación (disyuntor, toma de alimentación y cableado), use el valor que aparece en la etiqueta fijada en el panel inferior del producto o consulte la tabla de especificaciones técnicas del producto. La especificación de corriente listada indica el consumo de corriente promedio en condiciones normales.



Conecte siempre el producto a un circuito protegido (disyuntor o fusible). Asegúrese de que el producto tiene una toma de tierra adecuada para evitar el riesgo de electrocución o incendio.



Nunca conecte el producto a un reostato (resistor variable) o circuito de atenuación, incluso si el canal del reostato o atenuador sirve solo como conmutador 0–100%.

Cargar la Batería

La serie Freedom™ Quad 5 viene con una batería de iones de litio no reparable por el usuario para un funcionamiento sin cables.

Para cargar la batería de la serie Freedom™ RGBA, enchufe el cable de alimentación en cualquier momento, antes, durante o después del funcionamiento. Para cargar la batería antes o después del funcionamiento con todos los LEDs apagados, deje el interruptor de alimentación en la posición de apagado.

Indicador de Duración de la Batería

El indicador de duración de la batería que se encuentra en el producto muestra la cantidad restante de energía interna de la batería. Use la tabla siguiente para ver la duración de la batería restante por cada ciclo de carga. La luz que está más a la derecha parpadea durante la carga.

● ● ● ●	Full charge
● ● ● ○	75% charge
● ● ○ ○	50% charge
● ○ ○ ○	25% charge
○ ○ ○ ○	No charge
○ ○ ○ ○	All 4 Flashing Full Discharge



La batería de la serie Freedom™ RGBA debe cargarse durante 24 horas antes del primer funcionamiento para una vida de la batería óptima.

Mantenimiento de la Batería

Para mantener la batería en condiciones óptimas de funcionamiento, almacene el producto en un lugar fresco y seco, y cárguela al menos una vez cada 30 días cuando no esté en uso.

Evite la exposición a temperaturas extremas. Si el producto se expone a temperaturas extremas frías o calientes, caliente/enfríe el producto antes del uso y antes de la carga.

Tabla de Tiempo de Funcionamiento

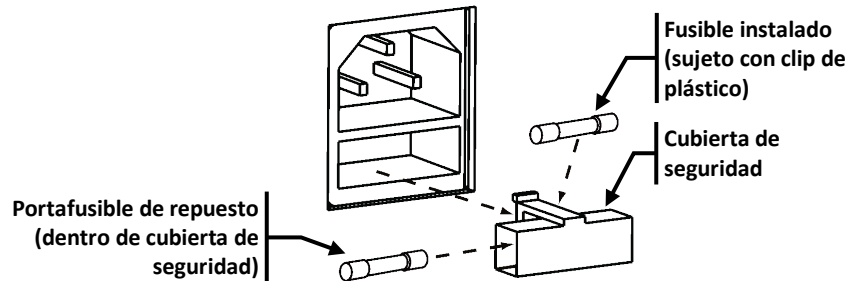
Tiempo de Funcionamiento máximo	Tiempo de Recarga
Hasta 8 horas	6 horas

Sustitución del Fusible



Desconecte el producto de la alimentación antes de sustituir el fusible.

1. Desconecte el producto de la alimentación.
2. Haga cuña con la punta de un destornillador plano en la ranura del portafusibles.
3. Saque el portafusibles de la carcasa.
4. Quite el fusible fundido del soporte.
5. Sustitúyalo con un fusible del mismo tipo y categoría exactamente.
6. Vuelva a colocar el portafusibles en su sitio y conecte de nuevo la alimentación.



No se incluye fusible de repuesto; sin embargo, la tapa de seguridad tiene sitio para un repuesto.



Sustituya siempre el fusible fundido con uno del mismo tipo y categoría.

Alimentación en Cadena

Este producto proporciona alimentación en cadena por medio del enchufe IEC ubicado en la parte posterior de la unidad.

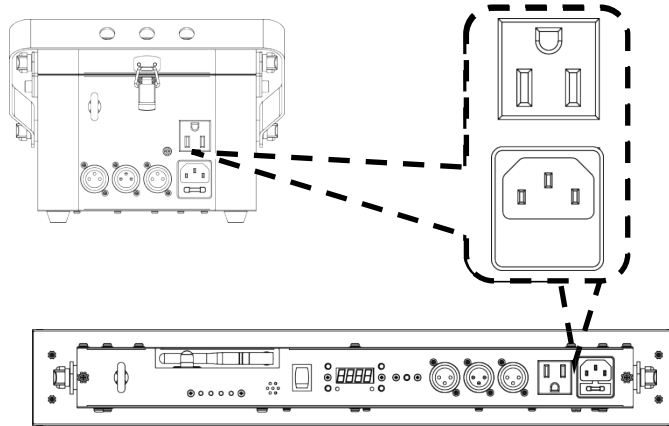
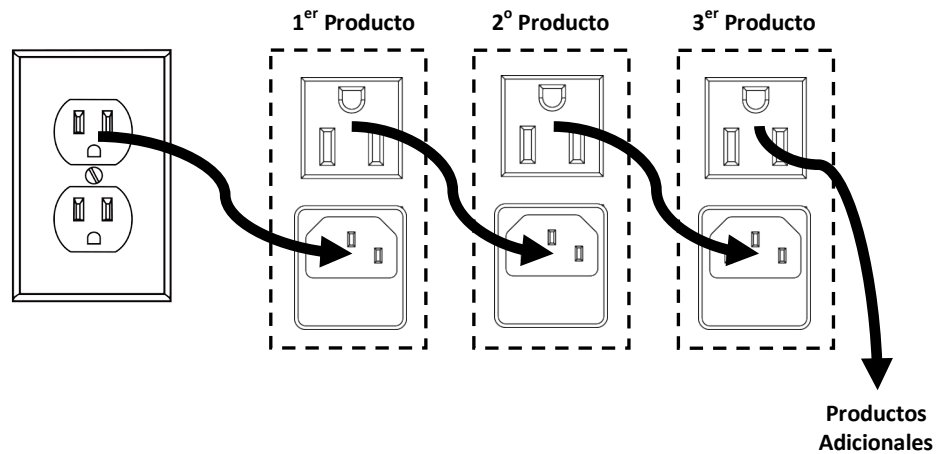


Diagrama de Alimentación en Cadena



Puede encadenar la alimentación de hasta 16 unidades Freedom™ Par RGBA a 120 VCA o hasta 25 unidades Freedom™ Par RGBA a 230 VCA.



Puede encadenar la alimentación de hasta 16 unidades Freedom™ Strip Mini RGBA a 120 VCA o hasta 25 unidades Freedom™ Strip Mini RGBA a 230 VCA.

Nota: La velocidad de carga de la batería disminuye durante la alimentación en cadena.



¡El diagrama de alimentación de cadena que se muestra arriba corresponde SOLO a la versión del producto de América del Norte! Si usa el producto en otros mercados, debe consultar con el distribuidor local de CHAUVET®, pues los conectores de alimentación en cadena y los requisitos pueden variar en su país o región.

Montaje Antes de montar el producto, lea y siga las recomendaciones de seguridad de las Notas de seguridad.

Orientación Los productos de la serie Freedom™ RGBA se pueden montar en cualquier posición; no obstante, asegúrese de que existe una ventilación adecuada.

- Colocación**
- Antes de decidir una ubicación, asegúrese siempre de que hay fácil acceso al producto para su mantenimiento y programación.
 - Asegúrese de que la estructura o superficie sobre la que está montando el producto puede soportar su peso (vea las [Especificaciones Técnicas](#)).
 - Cuando monte este producto en alto, use siempre un cable de seguridad. Monte el producto con seguridad a un punto de anclaje, como una plataforma elevada o un truss.
 - Cuando cuelgue el producto de un truss, debe usar una abrazadera de montaje con la resistencia al peso adecuada.
 - Cuando enlace en cadena la alimentación de varios productos, tenga siempre en cuenta la longitud del cable de alimentación en cadena y monte los productos lo bastante próximos como para que el cable alcance.
 - Los mandos de ajuste del soporte permiten el ajuste direccional para dirigir el producto hacia el ángulo deseado. Apriete y afloje los mandos de soporte únicamente con la mano. Usar herramientas podría estropear los mandos.
 - Los soportes de montaje del Freedom™ Strip Mini RGBA también sirven como soporte de suelo/permiten el montaje sobre una superficie. Cuando monte el producto en el suelo, asegúrese de que el producto y los cables estén fuera del alcance de personas y vehículos.

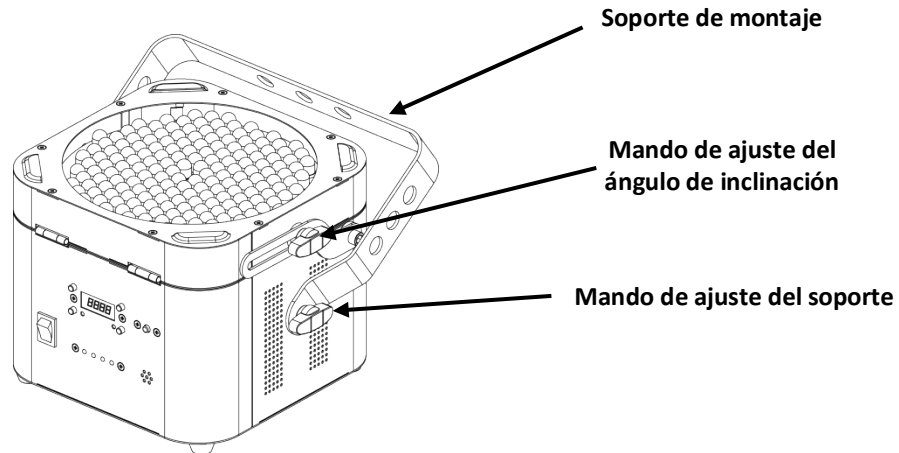
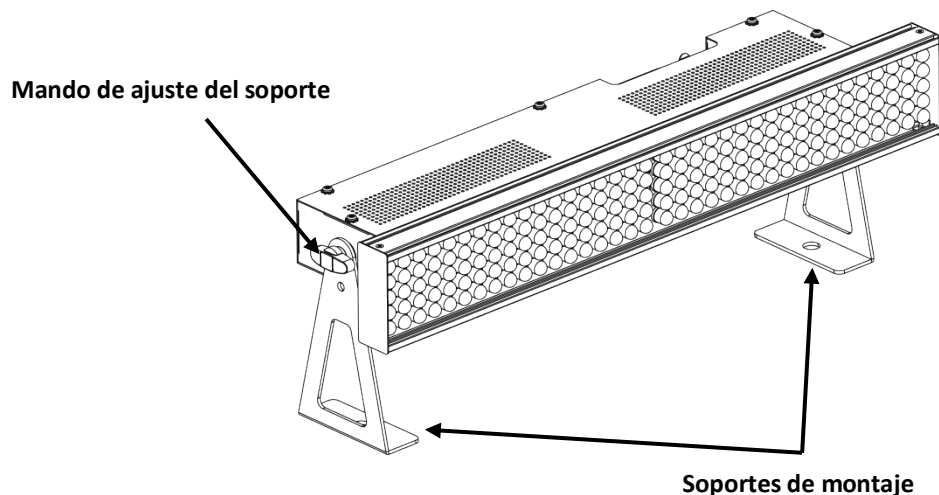


Diagrama de Montaje



4. FUNCIONAMIENTO

Funcionamiento del Panel de Control

Para acceder a las funciones del panel de control, use los cuatro botones alrededor de la pantalla.

Botón	Función
<MODE>	Selecciona un modo de funcionamiento o regresa a la opción de menú actual
<UP>	Se desplaza hacia arriba por la lista de opciones o selecciona un valor más alto
<DOWN>	Se desplaza hacia abajo por la lista de opciones o selecciona un valor inferior
<ENTER>	Activa una opción de menú o valor seleccionado

Mapa de Menú

Modo	Pasos de Programación		Descripción	
SYS	SdAd	001–509	Configurar la dirección DMX	
	d-CH	4CH	Activar el modo DMX de 4 canales	
		5CH	Activar el modo DMX de 5 canales	
	S-tr	tA.S	t-AU	Seleccionar automáticamente la frecuencia de transmisión (para uso de IR)
		t.CH	t001–t016	Seleccionar manualmente la frecuencia de transmisión (para uso de IR)
		drA.S	dr.AU	Seleccionar automáticamente la frecuencia de recepción (para uso DMX)
		dr.CH	dr.01–dr.16	Seleccionar manualmente la frecuencia de recepción (para uso DMX)
		dtA.S	dt.AU	Seleccionar automáticamente la frecuencia de transmisión (para uso DMX)
		dt.CH	dt.01–dt.16	Seleccionar manualmente la frecuencia de transmisión (para uso DMX)
	d-SL	SL.00–SL.32	Configurar la sensibilidad al sonido (Modo DMX)	
SAAd		Reiniciar el software		
ACt (niveles extra no disponibles en todos los programas)	A001–A026	F.000–F.100	Velocidad de flash (lenta a rápida)	
		SL.00–SL.32	Sensibilidad al sonido (Modo Automático)	
		P.000–P.100	Velocidad de ejecución (lenta a rápida)	
		C.000–C.100	Azul (solo disponible en A023)	
		Y.000–Y.100	Ámbar (solo disponible en A023)	

Mapa de Menú (continuación)

Modo	Pasos de Programación		Descripción
ACTC (niveles extra no disponibles en todos los programas)	AC01–AC14	F.000–F.100	Velocidad de flash (lenta a rápida)
		SL.00–SL.32	Sensibilidad al sonido (Modo Automático)
		P.000–P.100	Velocidad de ejecución (lenta a rápida)
		C.000–C.100	Azul (solo disponible en AC13)
SLAv	rA.S	r-AU	Seleccionar automáticamente la frecuencia de recepción (para uso de IR)
	r-St	r001–r016	Seleccionar manualmente la frecuencia de recepción (para uso de IR)
S-Ir			Conexión de infrarrojos solo con IRC (Mando a distancia por infrarrojos)

Configuración (DMX)

Configure el producto en modo DMX para controlarlo con un controlador DMX.

1. Conecte el producto a una toma de corriente adecuada.
2. Encienda el producto.
3. Conecte un cable DMX de la salida DMX del controlador DMX al conector de entrada DMX del producto.

Dirección de Inicio

Cuando seleccione una dirección DMX de inicio, tenga en cuenta siempre el número de canales DMX que usa el modo seleccionado. Si escoge una dirección de inicio que es demasiado alta, podría estar restringiendo el acceso a alguno de los canales del producto.

La serie Freedom™ RGBA usa hasta 5 canales DMX en su modo DMX de 5 canales, lo cual establece la dirección **505** como la más alta que se puede configurar.

Si no está familiarizado con DMX, descargue el Manual DMX de www.chauvetlighting.com.

Para seleccionar la dirección de inicio, haga lo siguiente:

1. Pulse **<MODE>** repetidamente hasta que aparezca **SYS**, **ACT**, **ACTC**, **SLAv** o **S-Ir** en la pantalla.
2. Utilice **<UP>** o **<DOWN>** para seleccionar **SYS**.
3. Pulse **<ENTER>**.
4. Utilice **<UP>** o **<DOWN>** para seleccionar **SdAd**.
5. Pulse **<ENTER>**.
6. Utilice **<UP>** o **<DOWN>** para seleccionar la dirección de inicio.
7. Pulse **<ENTER>**.

Personalidades DMX

La serie Freedom™ RGBA tiene 2 personalidades DMX. Una es la personalidad básica de 4 canales, y la otra es una personalidad más avanzada de 5 canales.

Para seleccionar las personalidades de 4 o 5 canales, haga lo siguiente:

1. Pulse **<MODE>** repetidamente hasta que aparezca **SYS**, **ACT**, **ACTC**, **SLAv** o **S-Ir** en la pantalla.
2. Utilice **<UP>** o **<DOWN>** para seleccionar **SYS**.
3. Pulse **<ENTER>**.
4. Utilice **<UP>** o **<DOWN>** para seleccionar **d-CH**.
5. Pulse **<ENTER>**.
6. Use **<UP>** o **<DOWN>** para seleccionar **4CH** (modo de 4 canales) o **5CH** (modo de 5 canales).
7. Pulse **<ENTER>**.

Modos de Canal, Asignaciones y Valores DMX

5-CH	Canal	Función	Valor	C.2	C.3	C.4	C.5
1		Blackout	000 ⇔ 008		Velocidad de flash 000 ⇔ 249 Activo Sonido 250 ⇔ 255		
		Rojo	009 ⇔ 017				
		Verde	018 ⇔ 026				
		Azul	027 ⇔ 035				
		Ámbar	036 ⇔ 044				
		Rojo + Verde	045 ⇔ 053				
		Rojo + Azul	054 ⇔ 062				
		Rojo + Ámbar	063 ⇔ 071				
		Verde + Azul	072 ⇔ 080				
		Azul + Ámbar	081 ⇔ 089				
		Rojo + Verde + Azul	090 ⇔ 098				
		Verde + Ámbar	099 ⇔ 107				
		Rojo + Verde + Ámbar	108 ⇔ 116				
		Rojo + Azul + Ámbar	117 ⇔ 125				
		Verde + Azul + Ámbar	126 ⇔ 134				
		Rojo + Verde + Azul + Ámbar	135 ⇔ 143				
		Cambio de Color 1	144 ⇔ 152	Velocidad de ejecución Automático 000 ⇔ 127 Activo Sonido 128 ⇔ 255			
		Cambio de Color 2	153 ⇔ 161				
		Secuencia de Color 1	162 ⇔ 170				
		Secuencia de Color 2	171 ⇔ 179				
		Secuencia de Color 3	180 ⇔ 188				
		Secuencia de Color 4	189 ⇔ 197				
		Cambio de Color 3	198 ⇔ 206				
		Modo RGBA	207 ⇔ 215	Rojo (0–100%) 000 ⇔ 255	Verde (0–100%) 000 ⇔ 255	Azul (0–100%) 000 ⇔ 255	Ámbar (0–100%) 000 ⇔ 255
		Ajuste de Color	216 ⇔ 224	Velocidad de ajuste 000 ⇔ 255			
		Fade de Color	225 ⇔ 233	Velocidad de fade 000 ⇔ 255			
		Ejecución Automática (solo Activo por Sonido)	234 ⇔ 255	Velocidad de ejecución Automático 000 ⇔ 127 Activo Sonido 128 ⇔ 255			

Nota: La sensibilidad al sonido en los modos ACT y ACTC tiene efecto en el alcance de la sensibilidad al sonido en modo DMX. Para una sensibilidad al sonido óptima en modo DMX, asegúrese primero de ajustar la configuración de sensibilidad al sonido de ACT y ACTC con arreglo al ambiente.



- El C.2 ha de estar dentro de los valores de operación de Ejecución Automática para funcionar.
- Si el producto de la serie Freedom™ RGBA está en modo Activo por Sonido y no hay sonido durante 6 segundos, el producto volverá a un programa automático. Baje la sensibilidad al sonido a 128 para evitarlo.

Modos de Canal, Asignaciones y Valores DMX (cont.)

4-CH	Canal	Función	Valor	Porcentaje
	1	Rojo	000 ⇔ 255	0–100%
	2	Verde	000 ⇔ 255	0–100%
	3	Azul	000 ⇔ 255	0–100%
	4	Ámbar	000 ⇔ 255	0–100%

Configuración (Independiente) Configure el producto en uno de los modos independientes para controlarlo sin controlador DMX.

1. Conecte el producto a una toma de corriente adecuada.
2. Encienda el producto.



Nunca conecte un producto que está funcionando en cualquier modo independiente (Estático, Automático o por Sonido) a una línea DMX conectada a un controlador DMX. Los productos en modo independiente pueden transmitir señales DMX que podrían interferir con las señales DMX del controlador.

Modo ACT Automático Para habilitar el modo ACT Automático, haga lo siguiente:

1. Pulse **<MODE>** repetidamente hasta que aparezca **SYS, ACT, ACTC, SLAv** o **S-Ir** en la pantalla.
2. Utilice **<UP>** o **<DOWN>** para seleccionar **ACT**.
3. Pulse **<ENTER>**.
4. Utilice **<UP>** o **<DOWN>** para escoger el programa deseado (**A001–A026**).
5. Pulse **<ENTER>**.

Ciertos programas tendrán funcionalidades adicionales. Para encontrar estas opciones, pulse **<ENTER>** después de seleccionar un programa automático. Luego pulse **<UP>** o **<DOWN>** para escoger la configuración deseada. No todos los programas incorporarán funciones adicionales.

Función	Descripción
F.000–F.100	Velocidad de flash (lenta a rápida)
SL.00–SL.32	Sensibilidad al sonido (Modo Automático)
P.000–P.100	Velocidad de ejecución (lenta a rápida)
C.000–C.100	Azul
Y.000–Y.100	Ámbar

**Programas ACt
Auto**

Programa	Función
A000	Sin función
A001	Rojo
A002	Verde
A003	Azul
A004	Ámbar
A005	Rojo + Verde
A006	Rojo + Azul
A007	Rojo + Ámbar
A008	Verde + Azul
A009	Azul + Ámbar
A010	Rojo + Verde + Azul
A011	Verde + Ámbar
A012	Rojo + Verde + Ámbar
A013	Rojo + Azul + Ámbar
A014	Verde + Azul + Ámbar
A015	Rojo + Verde + Azul + Ámbar
A016	Cambio de Color 1
A017	Cambio de Color 2
A018	Secuencia de Color 1
A019	Secuencia de Color 2
A020	Secuencia de Color 3
A021	Secuencia de Color 4
A022	Cambio de Color 3
A023	RGB Todo Encendido
A024	Ajuste (Snap) de color
A025	Fade de color
A026	Activo por sonido

En este canal:
P es Rojo (**P.001–P.100**)
F es Verde (**F.001–F.100**)
C es Azul (**C.001–C.100**)
Y es Ámbar (**Y.001–Y.100**)

Modo ACtC Automático

El modo ACtC Automático (Compatibilidad) permite que los productos de la serie Freedom™ RGBA funcionen en conjunción con modelos anteriores de la serie Freedom™.

Para habilitar el modo ACtC Automático, haga lo siguiente:

1. Pulse **<MODE>** repetidamente hasta que aparezca **SYS, ACt, ACtC, SLAv** o **S-Ir** en la pantalla.
2. Utilice **<UP>** o **<DOWN>** para seleccionar **ACtC**.
3. Pulse **<ENTER>**.
4. Utilice **<UP>** o **<DOWN>** para escoger el programa deseado (**AC00–AC23**).
5. Pulse **<ENTER>**.

Ciertos programas tendrán funcionalidades adicionales. Para encontrar estas opciones, pulse **<ENTER>** después de seleccionar un programa automático. Luego pulse **<UP>** o **<DOWN>** para escoger la configuración deseada. No todos los programas dispondrán de toda la funcionalidad adicional.

Función	Descripción
F.000–F.100	Velocidad de flash (lenta a rápida)
SL.00–SL.32	Sensibilidad al sonido (Modo Automático)
P.000–P.100	Velocidad de ejecución (lenta a rápida)
C.000–C.100	Azul

Programas ACtC Auto

Programa	Función
AC00	Sin función
AC01	Rojo
AC02	Verde
AC03	Azul
AC04	Amarillo
AC05	Violeta
AC06	Cian
AC07	Blanco
AC08	Cambio de Color 1
AC09	Cambio de Color 2
AC10	Cambio de Color 3
AC11	Cambio de Color 4
AC12	Cambio de Color 5
AC13	RGB Todo Encendido
	En este canal: P es Rojo (P.000–P.100) F es Verde (F.000–F.100) C es Azul (C.000–C.100)
AC14	Fade de color

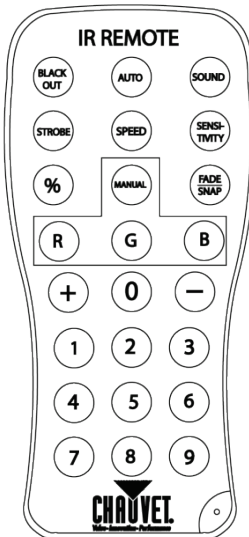
IRC (Control Remoto por Infrarrojos)

La serie Freedom™ RGBA es totalmente compatible con el Control Remoto por Infrarrojos (IRC) de CHAUVET® (vendido por separado).

Para configurar un producto de la serie Freedom™ RGBA para funcionar con el IRC, haga lo siguiente:

1. Pulse **<MODE>** repetidamente hasta que aparezca **SYS, ACT, ACTc, SLAv** o **S-Ir** en la pantalla.
2. Utilice **<UP>** o **<DOWN>** para seleccionar **S-Ir**.
3. Pulse **<ENTER>**.
4. Comience a utilizar el IRC.

Funcionamiento del IRC



Modo Automático

El Modo Automático le permitirá ejecutar programas automáticos en el producto.

Para activar el Modo Automático:

1. Pulse **<AUTO>** en el IRC.
2. Pulse **<+>** o **<->** para escoger entre los diferentes programas automáticos.

Para ajustar la velocidad del programa automático:

1. Pulse **<SPEED>** en el IRC.
2. Pulse **<+>** o **<->** para aumentar o reducir la velocidad del programa.

Modo activo por sonido

El modo Activo por Sonido permitirá que el producto responda a la música.

Para activar el modo Activo por Sonido:

1. Pulse **<SOUND>** en el IRC.
2. Pulse **<+>** o **<->** para aumentar o reducir la reacción al sonido.

Para ajustar la sensibilidad al sonido en el modo Activo por Sonido:

1. Pulse **<SENSITIVITY>** en el IRC.
2. Pulse **<+>** o **<->** para aumentar o reducir la sensibilidad al sonido.

Control del Color Manual

Para escoger manualmente un color específico:

1. Pulse cualquier número de **0–9** en el IRC para escoger su color.

Botón	Color
0	Blanco
1	Rojo
2	Naranja
3	Amarillo
4	Verde
5	Cian
6	Azul
7	Violeta/Morado
8	Rosa
9	Ámbar

Funcionamiento del IRC (cont.)

Para controlar manualmente el porcentaje RGB:

1. Pulse **<MANUAL>** en el IRC.
2. Pulse **<R>** (rojo), **<G>** (verde) o **** (azul) para escoger su color.
3. Pulse **0–100** para seleccionar un valor porcentual.
4. Pulse **<%>** para establecer el cambio de porcentaje.

Otras operaciones

Para ajustar la frecuencia de estroboscopio del programa:

1. Pulse **<STROBE>** en el IRC.
2. Pulse **<+>** o **<->** para aumentar o reducir la frecuencia de estroboscopio.
3. Pulse **<STROBE>** de nuevo para desactivar el estroboscopio.

Para modificar el efecto de cambio del programa:

1. Pulse **<FADE/SNAP>** en el IRC.

Fade cambiará de efecto lentamente. Snap cambiará de efecto rápidamente.

Para apagar las luces:

1. Pulse **<BLACK OUT>** en el IRC.

Esto apagará todas las luces hasta que vuelva a pulsar el botón de nuevo.

NOTA: El IRC no responderá a ninguna acción cuando esté activado el Black Out. Si el mando no responde cuando se pulsa un botón, inténtelo pulsando **<BLACK OUT>**. Usted puede haber activado Black Out involuntariamente.

D-Fi™ 2.4 GHz (Autosincronización Modo DMX)

La serie Freedom™ RGBA proporciona control inalámbrico de 2 o más productos con un solo controlador DMX. Para configurar automáticamente la función de sincronización del D-Fi™ para la funcionalidad DMX, haga lo siguiente:

Para el producto transmisor:

1. Pulse **<MODE>** repetidamente hasta que aparezca **SYS, ACT, ACTC, SLAv** o **S-Ir** en la pantalla.
2. Utilice **<UP>** o **<DOWN>** para seleccionar **SYS**.
3. Pulse **<ENTER>**.
4. Pulse **<UP>** o **<DOWN>** hasta que aparezca **S-tr** en la pantalla.
5. Pulse **<ENTER>**.
6. Pulse **<UP>** o **<DOWN>** hasta que aparezca **dtA.S** en la pantalla.
7. Pulse **<ENTER>** y **dt.AU** se muestra en la pantalla.

Para el(los) producto(s) receptor(es):

1. Pulse **<MODE>** repetidamente hasta que aparezca **SYS, ACT, ACTC, SLAv** o **S-Ir** en la pantalla.
2. Utilice **<UP>** o **<DOWN>** para seleccionar **SYS**.
3. Pulse **<ENTER>**.
4. Pulse **<UP>** o **<DOWN>** hasta que aparezca **S-tr** en la pantalla.
5. Pulse **<ENTER>**.
6. Pulse **<UP>** o **<DOWN>** hasta que aparezca **drA.S** en la pantalla.
7. Pulse **<ENTER>** y **dr.AU** se muestra en la pantalla.
8. Pulse **<AUTO>** durante 10 segundos aproximadamente para configurar el producto receptor.

Una vez se hayan realizado los pasos anteriores, pulse y mantenga **<AUTO>** solo en el producto transmisor durante aproximadamente 30 segundos. La pantalla y el LED de señal parpadearán para indicar que la sincronización está activada.

Entonces puede salir volviendo atrás a un nivel de menú general y configurar el producto transmisor para funcionar con un controlador DMX.

Para configurar su producto para el funcionamiento con DMX, consulte el apartado [Dirección de Inicio](#) de este manual.

- **Para añadir productos Freedom™ compatibles adicionales, apague los que ya están sincronizados y repita los pasos anteriores con los productos no sincronizados. Una vez que todos los productos están sincronizados, enciéndalos todos de nuevo.**



- **La sincronización con escaneo automático tiene que realizarse dentro de una distancia máxima aproximada de 32 pies (10 m).**

Nota: Las señales de autosincronización podrían quedar bloqueadas si el producto transmisor y el producto receptor están demasiado cerca el uno del otro. Si no son capaces de sincronizarse, sepárelos y trate de sincronizarlos de nuevo.



- **Si tiene problemas con la antena o necesita mejorar la calidad de la señal, extienda la antena hacia afuera alejándola del producto y mantenga sin obstrucción la línea de visión entre los productos.**
- **Asegúrese de que todos los productos enlazados están configurados con la misma personalidad DMX (4 canales o 5 canales).**
- **Cuidado:** Masas líquidas entre el transmisor y el receptor, como agua, nieve o personas, pueden interrumpir o impedir el funcionamiento por D-Fi™. Para resultados óptimos, mantenga la antena lejos de cualquier masa líquida.

D-Fi™ 2.4 GHz (Sincronización Manual Modo DMX)

La serie Freedom™ RGBA proporciona control inalámbrico de 2 o más productos con un solo controlador DMX. Para configurar manualmente la función de sincronización del D-Fi™ para la funcionalidad DMX, haga lo siguiente:

Para el producto transmisor:

1. Pulse **<MODE>** repetidamente hasta que aparezca **SYS, ACT, ACTC, SLAv** o **S-tr** en la pantalla.
2. Utilice **<UP>** o **<DOWN>** para seleccionar **SYS**.
3. Pulse **<ENTER>**.
4. Pulse **<UP>** o **<DOWN>** hasta que aparezca **S-tr** en la pantalla.
5. Pulse **<ENTER>**.
6. Pulse **<UP>** o **<DOWN>** hasta que aparezca **dt.CH** en la pantalla.
7. Pulse **<ENTER>**.
8. Utilice **<UP>** o **<DOWN>** para seleccionar la señal de transmisión (**dt.01–dt.16**).

Para el(los) producto(s) receptor(es):

1. Pulse **<MODE>** repetidamente hasta que aparezca **SYS, ACT, ACTC, SLAv** o **S-tr** en la pantalla.
2. Utilice **<UP>** o **<DOWN>** para seleccionar **SYS**.
3. Pulse **<ENTER>**.
4. Pulse **<UP>** o **<DOWN>** hasta que aparezca **S-tr** en la pantalla.
5. Pulse **<ENTER>**.
6. Pulse **<UP>** o **<DOWN>** hasta que aparezca **dr.CH** en la pantalla.
7. Pulse **<ENTER>**.
8. Utilice **<UP>** o **<DOWN>** para seleccionar la señal de transmisión (**dr.01–dr.16**). El número de canal deberá coincidir con el de la señal de transmisión que escogió en los pasos anteriores.

Una vez se hayan realizado los pasos anteriores, puede salir volviendo atrás a un nivel de menú más general y configurar el producto transmisor para funcionar con un controlador DMX.

Para configurar su producto para el funcionamiento con DMX, consulte el apartado Dirección de inicio de la sección “Funcionamiento” de este manual.



- **Si tiene problemas con la antena o necesita mejorar la calidad de la señal, extienda la antena hacia afuera alejándola del producto y mantenga sin obstrucción la línea de visión entre los productos.**
- **Asegúrese de que todos los productos enlazados están configurados con la misma personalidad DMX (4 canales o 5 canales).**
- **Para sincronizar múltiples transmisores en una sala, configure manualmente cada receptor y el transmisor designado a una frecuencia específica, y realice entonces los pasos de sincronización.**

D-Fi™ 2.4 GHz (Autosincronización Modo IR/Independiente)

La serie Freedom™ RGBA puede configurarse para controlar 2 o más productos sin controladores externos o con el IRC de CHAUVET® (vendido por separado). Para configurar automáticamente la función de sincronización D-Fi™ para la funcionalidad IR/independiente, haga lo siguiente:

Para el producto transmisor:

1. Pulse **<MODE>** repetidamente hasta que aparezca **SYS, ACT, ACTC, SLAv** o **S-Ir** en la pantalla.
2. Utilice **<UP>** o **<DOWN>** para seleccionar **SYS**.
3. Pulse **<ENTER>**.
4. Pulse **<UP>** o **<DOWN>** hasta que aparezca **S-tr** en la pantalla.
5. Pulse **<ENTER>**.
6. Pulse **<UP>** o **<DOWN>** hasta que aparezca **tA.S** en la pantalla.
7. Pulse **<ENTER>** y **t.AU** se muestra en la pantalla.

Para el(los) producto(s) receptor(es):

1. Pulse **<MODE>** repetidamente hasta que aparezca **SYS, ACT, ACTC, SLAv** o **S-Ir** en la pantalla.
2. Utilice **<UP>** o **<DOWN>** para seleccionar **SLAv**.
3. Pulse **<ENTER>**.
4. Pulse **<UP>** o **<DOWN>** hasta que aparezca **rA.S** en la pantalla.
5. Pulse **<ENTER>** y **r-AU** se muestra en la pantalla.
6. Pulse **<AUTO>** durante 10 segundos aproximadamente para configurar el producto receptor.

Una vez se hayan realizado los pasos anteriores, pulse y mantenga **<AUTO>** solo en el producto transmisor durante aproximadamente 30 segundos. La pantalla y el LED de señal parpadearán para indicar que la sincronización está activada.

Entonces puede salir volviendo atrás a un nivel de menú más general y configurar el producto transmisor para funcionar en Modo Automático o con un IRC (vendido por separado).

Para configurar su producto para que funcione en uno de los modos automáticos, lea [Configuración \(Independiente\)](#) y las secciones del modo automático específico de este manual.

Para configurar su producto para funcionar con el IRC de CHAUVET®, consulte el apartado [IRC \(Control Remoto por Infrarrojos\)](#) de este manual.

- **Para añadir productos Freedom™ compatibles adicionales, apague los que ya están sincronizados y repita los pasos anteriores con los productos no sincronizados. Una vez que todos los productos están sincronizados, enciéndalos todos de nuevo.**



- **La sincronización con escaneo automático tiene que realizarse dentro de una distancia máxima aproximada de 30 pies (10 m).**

Nota: Las señales de autosincronización podrían quedar bloqueadas si el producto transmisor y el producto receptor están demasiado cerca el uno del otro. Si no son capaces de sincronizarse, sepárelos y trate de sincronizarlos de nuevo.

- **Mientras use la función de sincronización D-Fi™, el producto transmisor se puede conectar también a otros productos de la serie Freedom™ compatibles, usando enlace DMX.**



- **Si tiene problemas con la antena o necesita mejorar la calidad de la señal, extienda la antena hacia afuera alejándola del producto y mantenga sin obstrucción la línea de visión entre los productos.**

D-Fi™ 2.4 GHz (Sincronización Manual Modo IR/Independiente)

La serie Freedom™ RGBA puede configurarse para controlar 2 o más productos sin controladores externos o con el IRC de CHAUVET® (vendido por separado). Para configurar manualmente la función de sincronización D-Fi™ para la funcionalidad IR/independiente, haga lo siguiente:

Para el producto transmisor:

1. Pulse **<MODE>** repetidamente hasta que aparezca **SYS, ACT, ACTC, SLAv** o **S-Ir** en la pantalla.
2. Utilice **<UP>** o **<DOWN>** para seleccionar **SYS**.
3. Pulse **<ENTER>**.
4. Pulse **<UP>** o **<DOWN>** hasta que aparezca **S-tr** en la pantalla.
5. Pulse **<ENTER>**.
6. Pulse **<UP>** o **<DOWN>** hasta que aparezca **t.CH** en la pantalla.
7. Pulse **<ENTER>**.
8. Utilice **<UP>** o **<DOWN>** para seleccionar la señal de transmisión (**t001–t016**).

Para el(los) producto(s) receptor(es):

1. Pulse **<MODE>** repetidamente hasta que aparezca **SYS, ACT, ACTC, SLAv** o **S-Ir** en la pantalla.
2. Utilice **<UP>** o **<DOWN>** para seleccionar **SLAv**.
3. Pulse **<ENTER>**.
4. Pulse **<UP>** o **<DOWN>** hasta que aparezca **r-St** en la pantalla.
5. Pulse **<ENTER>**.
6. Utilice **<UP>** o **<DOWN>** para seleccionar la señal de transmisión (**r001–r016**). El número de canal deberá coincidir con el de la señal de transmisión que escogió en los pasos anteriores.

Una vez se hayan realizado los pasos anteriores, puede salir volviendo atrás y configurar el producto transmisor para funcionar en Modo Automático o con un IRC (vendido por separado).

Para configurar su producto para funcionar en Modo Automático, consulte los apartados de Modo automático de la sección "Funcionamiento" de este manual.

Para configurar su producto para funcionar con el IRC de CHAUVET®, consulte el apartado IRC (control remoto por infrarrojos) de la sección "Funcionamiento" de este manual.



- **Mientras use la función de sincronización D-Fi™, el producto transmisor se puede conectar también a otros productos de la serie Freedom™ compatibles, usando enlace DMX.**



- **Si tiene problemas con la antena o necesita mejorar la calidad de la señal, extienda la antena hacia afuera alejándola del producto y mantenga sin obstrucción la línea de visión entre los productos.**
- **Para sincronizar múltiples transmisores en una sala, configure manualmente cada receptor y el transmisor designado a una frecuencia específica, y realice entonces los pasos de sincronización.**



- **La serie Freedom™ es totalmente compatible con el transceptor (transmisor/receptor) inalámbrico D-Fi™ 2.4 GHz de CHAUVET® (vendido por separado).**
- **Para información más detallada sobre la funcionalidad D-Fi™, consulte el Manual de Usuario D-Fi™ 2.4 GHz disponible en el sitio web de CHAUVET®: www.chauvetlighting.com.**

Modo Maestro/Esclavo

El modo Maestro/Esclavo permite que un solo producto de la serie Freedom™ RGBA (el "maestro") controle las acciones de una o más unidades de la serie Freedom™ RGBA (los "esclavos") sin necesidad de un controlador DMX. La unidad maestro se configurará para funcionar bien en modo Automático bien en modo Activo por Sonido, mientras que las unidades esclavo se configurarán para funcionar en Modo Esclavo. Una vez configuradas y conectadas, las unidades esclavo funcionarán al unísono con la unidad maestro.

Configure las unidades como se indica a continuación.

Unidades esclavo:

1. Conecte la entrada DMX del primer producto esclavo a la salida de enlace DMX del maestro. La unidad esclavo cambia automáticamente a Modo Esclavo y **SLA** se muestra en pantalla.
2. Conecte la entrada DMX de las siguientes unidades esclavo a la salida de enlace DMX del esclavo precedente.
3. Termine de configurar y conectar todas las unidades esclavo.

Unidad maestro:

1. Configure la unidad maestro para funcionar en modo Automático o Activo por Sonido.
2. Ponga la unidad maestro como la primera unidad de la cascada DMX.



- **Nunca conecte un controlador DMX a una línea DMX configurada para funcionamiento Maestro/Esclavo, porque el controlador puede interferir con las señales de la unidad maestro.**
- **No conecte más de 31 unidades esclavo a la unidad maestro.**

Efecto Runway Maestro/Esclavo

El efecto Runway Maestro/Esclavo permite que un solo producto de la serie Freedom™ RGBA (el "maestro") controle las acciones de uno o más productos adicionales de la serie Freedom™ RGBA (los "esclavos") en un orden secuencial para un efecto "runway" sin necesidad de un controlador DMX. La unidad maestro se configurará para funcionar en modos Automáticos específicos, mientras que las unidades esclavo se configurarán para funcionar en Modo Esclavo. Una vez configuradas y conectadas, las unidades esclavo funcionarán al unísono con la unidad maestro.

Configure las unidades como se indica a continuación.

1. Conecte la entrada DMX del primer producto esclavo a la salida de enlace DMX del maestro. La unidad esclavo cambia automáticamente a Modo Esclavo y **SLA** se muestra en pantalla.
2. Conecte la entrada DMX de las siguientes unidades esclavo a la salida de enlace DMX del esclavo precedente.
3. Una vez que las conexiones DMX estén completas, reinicie el software del producto maestro usando los pasos siguientes. Esto también reiniciará el software de todas las unidades esclavo conectadas.
 - a. Pulse **<MODE>** repetidamente hasta que aparezca **SYS**, **ACt**, **ACtC**, **SLAv** o **S-Ir** en la pantalla.
 - b. Utilice **<UP>** o **<DOWN>** para seleccionar **SYS**.
 - c. Pulse **<ENTER>**.
 - d. Pulse **<UP>** o **<DOWN>** hasta que aparezca **SAAd** en la pantalla.
 - e. Pulse **<ENTER>**.
4. En la unidad maestro, escoja el modo automático como se describe en la sección [Modo ACt Automático](#) de este manual. Los únicos programas automáticos que pueden conseguir esta funcionalidad son los programas automáticos ACt **A018–A021**.

5. INFORMACIÓN TÉCNICA

Mantenimiento del Producto

El polvo acumulado reduce el rendimiento de la salida de luz y puede provocar sobrecalentamiento. Esto puede conducir a un acortamiento de la vida de la fuente de luz. Para mantener un rendimiento óptimo y minimizar el desgaste, limpie el producto al menos dos veces al mes. Sin embargo, por el uso y por las condiciones ambientales, puede necesitarse una limpieza más frecuente.

Para limpiar el producto, siga las instrucciones siguientes:

- Desenchufe el producto de la alimentación.
- Espere a que el producto esté a temperatura ambiente.
- Use un aspirador (o aire seco comprimido) y un cepillo suave para quitar el polvo depositado en la superficie externa/orificios de aireación.
- Limpie todas las superficies transparentes con una solución de jabón suave, limpiador de cristales sin amoníaco o alcohol isopropílico.
- Aplique la solución directamente sobre un paño suave que no deje pelusa o un paño de limpiar lentes.
- Con suavidad, quite todo el polvo o suciedad empujándolo hacia el borde externo de la superficie transparente.
- Con cuidado, frote las superficies transparentes hasta que no quede turbiedad ni pelusas.



Seque siempre con cuidado las superficies transparentes después de limpiarlas.

6. ESPECIFICACIONES TÉCNICAS

Dimensiones y Peso	Longitud (Par)	Ancho (Par)	Altura (Par)	Peso (Par)
	9,3" (236 mm)	8,8" (223 mm)	8,5" (215 mm)	7,4 lb (3,4 kg)
	Longitud (Strip Mini)	Ancho (Strip Mini)	Altura (Strip Mini)	Peso (Strip Mini)
	20,0" (510 mm)	8,3" (210 mm)	3,0" (78 mm)	7,6 lb (3,4 kg)
	Nota: Las dimensiones en pulgadas están redondeadas al dígito decimal más próximo.			
	Nota: A menos que se indique lo contrario, todas las especificaciones son aplicables tanto al Freedom™ Par RGBA, como al Freedom™ Strip Mini RGBA.			
Alimentación	Tipo de Fuente de Alimentación	Rango	Selección de Tensión	
	Conmutación (interna)	100~240 V, 50/60 Hz	Detección automática (autorango)	
	Freedom™ Par RGBA	120 V, 60 Hz	230 V, 50 Hz	
	Consumo	71 W	94 W	
	Corriente de funcionamiento	0,6 A	0,4 A	
	Intensidad de alimentación en cadena (unidades)	10 A (16 unidades)	10 A (25 unidades)	
	Fusible	F 2 A, 250 V	F 2 A, 250 V	
	Freedom™ Strip Mini RGBA	120 V, 60 Hz	230 V, 50 Hz	
	Consumo	71 W	94 W	
	Corriente de funcionamiento	0,6 A	0,4 A	
	Intensidad de alimentación en cadena (unidades)	10 A (16 unidades)	10 A (25 unidades)	
	Fusible	F 2 A, 250 V	F 2 A, 250 V	
	E/S Alimentación	U.S./Mundial	UK/Europa	
	Conector de entrada de alimentación	IEC	IEC	
Conector de salida de alimentación	Edison	IEC		
Enchufe de cable de alimentación	Edison (U.S.)	Enchufe local		
Fuente de Luz	Tipo	Alimentación		
	LED	0,25 W		
	Color	Freedom™ Par RGBA	Freedom™ Strip Mini RGBA	
	Rojo	46	50	
	Verde	42	50	
	Azul	46	50	
	Ámbar	46	50	
Óptica Foto	Parámetro	Freedom™ Par RGBA	Freedom™ Strip Mini RGBA	
	Iluminancia @ 2 m	1,390 lx	1,370 lx	
	Ángulo del haz	15°	13°	
	Ángulo de campo	24°	24°	
Batería e Inalámbrico	Parámetro			
	Tiempo funcionamiento máx.	Hasta 8 horas		
	Tiempo de recarga	6 horas		
	Frecuencia de funcionamiento	2,433–2,481GHz		
Térmica	Temperatura Externa Máxima	Sistema de Refrigeración		
	104° F (40° C)	Ventilador		
DMX	Conectores E/S	Tipo de Conector	Rango de Canal	
	XLR 3 pines	Conectores	4, 5	
Pedidos	Nombre de Producto	Código de Pieza	Número UPC	
	Freedom™ Par RGBA	02030608	781462209568	
	Freedom™ Strip Mini RGBA	02030609	781462209575	

RoHS



En caso de que necesite devolver un producto o solicitar asistencia, siga el procedimiento siguiente:

- Si vive en los EE. UU., póngase en contacto con la Oficina Central de CHAUVET® (ver más abajo).
- Si vive en el Reino Unido o Irlanda, póngase en contacto con CHAUVET® Europe Ltd (ver más abajo).
- Si vive en cualquier otro país, NO contacte con CHAUVET®. Póngase en contacto con su distribuidor asociado autorizado. Vea nuestro sitio web www.chauvetlighting.com para detalles de contacto de los distribuidores fuera de los EE.UU., Reino Unido o Irlanda.



Si vive fuera de los EE.UU., Reino Unido o Irlanda, póngase en contacto con su distribuidor de registro y siga sus instrucciones sobre cómo devolverle los productos CHAUVET®. Visite www.chauvetlighting.com para detalles de contacto.

Devoluciones

Llame a la oficina de Asistencia Técnica CHAUVET® correspondiente y pida un número de Autorización de Devolución de la mercancía (RMA) antes de enviar el producto. Está preparado para proporcionar el número de modelo, número de serie y una breve descripción de la causa de la devolución.

Debe enviar la mercancía a portes pagados, en su caja original y con su embalaje y accesorios originales. CHAUVET® no expedirá etiquetas de devolución.

Etiquete el paquete claramente con el número de RMA. CHAUVET® rechazará cualquier producto devuelto sin un número de RMA.



Escriba el número de RMA en una etiqueta convenientemente adherida. NO escriba el número de RMA directamente sobre la caja.

Antes de enviar el producto, escriba claramente la siguiente información en una hoja de papel y colóquela dentro de la caja:

- Su nombre
- Su dirección
- Su número de teléfono
- El número de RMA
- Una breve descripción del problema

Asegúrese de que empaqueta el producto adecuadamente. Cualquier daño en el transporte que resulte de un empaquetado inadecuado será responsabilidad suya. Se recomienda empaquetado FedEx o de doble caja.



CHAUVET® se reserva el derecho de usar su propio criterio para reparar o reemplazar productos devueltos.

Contacto

Oficina Central
CHAUVET®

Información general

Dirección: 5200 NW 108th Avenue
Sunrise, FL 33351
Voz: (954) 577-4455
Fax: (954) 929-5560
Número Gratuito: (800) 762-1084

Servicio Técnico

Voz: (954) 577-4455 (Marque 4)
Fax: (954) 756-8015
Email: tech@chauvetlighting.com

World Wide Web

www.chauvetlighting.com

Reino Unido e Irlanda
CHAUVET® Europe Ltd.

Información general

Dirección: Unit 1C
Brookhill Road Industrial Estate
Pinxton, Nottingham, UK
NG16 6NT
Voz: +44 (0)1773 511115
Fax: +44 (0)1773 511110

Servicio Técnico

Email: uktech@chauvetlighting.com

World Wide Web

www.chauvetlighting.co.uk

1. AVANT DE COMMENCER

- Ce qui est Compris**
- Un Freedom™ Par RGBA
 - Un cordon d'alimentation
 - ou
 - Une fiche de garantie
 - Un Freedom™ Strip Mini RGBA
 - Un manuel d'utilisation

Instructions Relatives au Déballage Déballer l'appareil avec précaution et vérifiez le contenu afin de vous assurer que rien ne vous manque et que tout est en bon état.




Réclamations Si l'emballage ou le contenu (l'appareil et ses accessoires compris) semble avoir été endommagé pendant le transport, ou s'il présente des signes de manipulation sans précaution, veuillez dès réception en notifier immédiatement le transporteur et non CHAUVET®. Ne pas en notifier le transporteur peut entraîner la non validation de la plainte. Veuillez également à conserver l'emballage et son contenu pour inspection.

Pour tout autre problème comme la non livraison de pièces ou composants, des dommages non en rapport avec la livraison ou des vices cachés, veuillez déposer votre réclamation auprès de CHAUVET® dans les 7 jours suivant la livraison.

Conventions de Texte

Convention	Signification
1-512	Une plage de valeurs
50/60	Un ensemble de valeurs parmi lequel on ne peut en choisir qu'une
Settings	Une option de menu ne pouvant être modifiée
Menu > Settings	Une séquence d'options de menu à suivre
<ENTER>	Un bouton sur lequel appuyer sur le panneau de commande de l'appareil
ON	Une valeur à saisir ou à sélectionner

Symboles

Symbole	Signification
	Consignes importantes en matière d'installation, de configuration et de fonctionnement. Le non-respect de ces consignes peut entraîner le non fonctionnement de l'appareil ou lui causer des dommages. De même, l'utilisateur pourrait s'en trouver affecter.
	Consignes importantes en matière d'installation ou de configuration L'appareil peut ne pas fonctionner correctement si ces instructions ne sont pas suivies.
	Informations utiles.

Clause de Non Responsabilité

Les informations et caractéristiques contenues dans ce manuel sont sujettes à changement sans préavis. CHAUVET® ne sera être tenu responsable pour toute erreur ou omission pouvant être contenue dans ce manuel. De plus CHAUVET® se réserve le droit de revoir ou réécrire ce manuel à tout moment. Téléchargez la dernière version de ce manuel sur www.chauvetlighting.com.

© Copyright 2012 CHAUVET®. Tous droits réservés.

Imprimé en République Populaire de Chine

Publié électroniquement par CHAUVET® aux États-Unis.

Auteur	Date	Éditeur	Date
A. Leon	3/12/2012	S. Diaz	19/12/2012

Vue d'Ensemble de l'Appareil

Utilisation avec gradateur		Programmes automatiques	
Utilisation en extérieur		Alimentation universelle	
Mode musical		Fusible remplaçable	
DMX		Entretien par l'utilisateur	
Maître/Esclave		Cycle de refroidissement	

Consignes de Sécurité

Ces consignes reprennent d'importantes informations en matière d'installation, d'utilisation et de maintenance de l'appareil. Veuillez les lire et les assimiler avant de l'utiliser pour la première fois.



- Connectez toujours l'appareil à un circuit relié à la terre afin d'éviter tout risque d'électrocution.
- Déconnectez toujours de l'alimentation principale avant de procéder à tout entretien ou remplacement du fusible.
- Évitez tout contact visuel direct avec la source lumineuse quand cet appareil est en marche
- Assurez-vous que le cordon d'alimentation n'est ni tordu ni endommagé.
- Ne débranchez jamais cet appareil en tirant sur le cordon.
- Si vous installez l'appareil en hauteur, utilisez impérativement une élingue de sécurité pour le sécuriser au dispositif de fixation.
- Ne laissez aucun produit inflammable dans un rayon de 50 cm de l'appareil lorsque celui-ci fonctionne.
- Ne touchez pas cet appareil lors de son fonctionnement car il pourrait s'avérer brûlant.



- Veillez toujours à ce que la tension de la prise à laquelle vous branchez l'appareil soit comprise dans la plage indiquée sur l'étiquette ou le panneau inférieur de l'appareil.
- Cet appareil doit être utilisé en intérieur uniquement ! (IP20). Afin d'éviter tout risque d'incendie ou de décharge électrique, veillez à n'exposer cet appareil ni à la pluie ni à l'humidité.
- Installez toujours cet appareil dans un endroit bien ventilé, à au moins, 20 pouces (50 cm) des surfaces adjacentes.
- Assurez-vous qu'aucune fente de ventilation sur le boîtier de l'appareil ne soit obstruée.
- Ne connectez jamais cet appareil à un gradateur.
- Veillez à remplacer le fusible avec un de même type et même ampérage.
- Ne transportez jamais l'appareil par son cordon d'alimentation ou toute pièce mobile. Utilisez toujours la lyre de suspension ou de montage.
- La température ambiante (Ta) maximale supportée par cet appareil est de 104° F (40° C). Ne le faites pas fonctionner à des températures plus élevées.
- En cas de sérieux problèmes de fonctionnement, arrêtez le système immédiatement.
- N'essayez jamais de réparer cet appareil. Toute réparation effectuée par une personne non qualifiée peut entraîner des dommages ou un fonctionnement erratique de l'appareil. Mettez-vous en relation avec le centre d'assistance technique autorisé le plus près de chez vous.
- Cet appareil n'est pas conçu pour être utilisé dans une installation permanente.



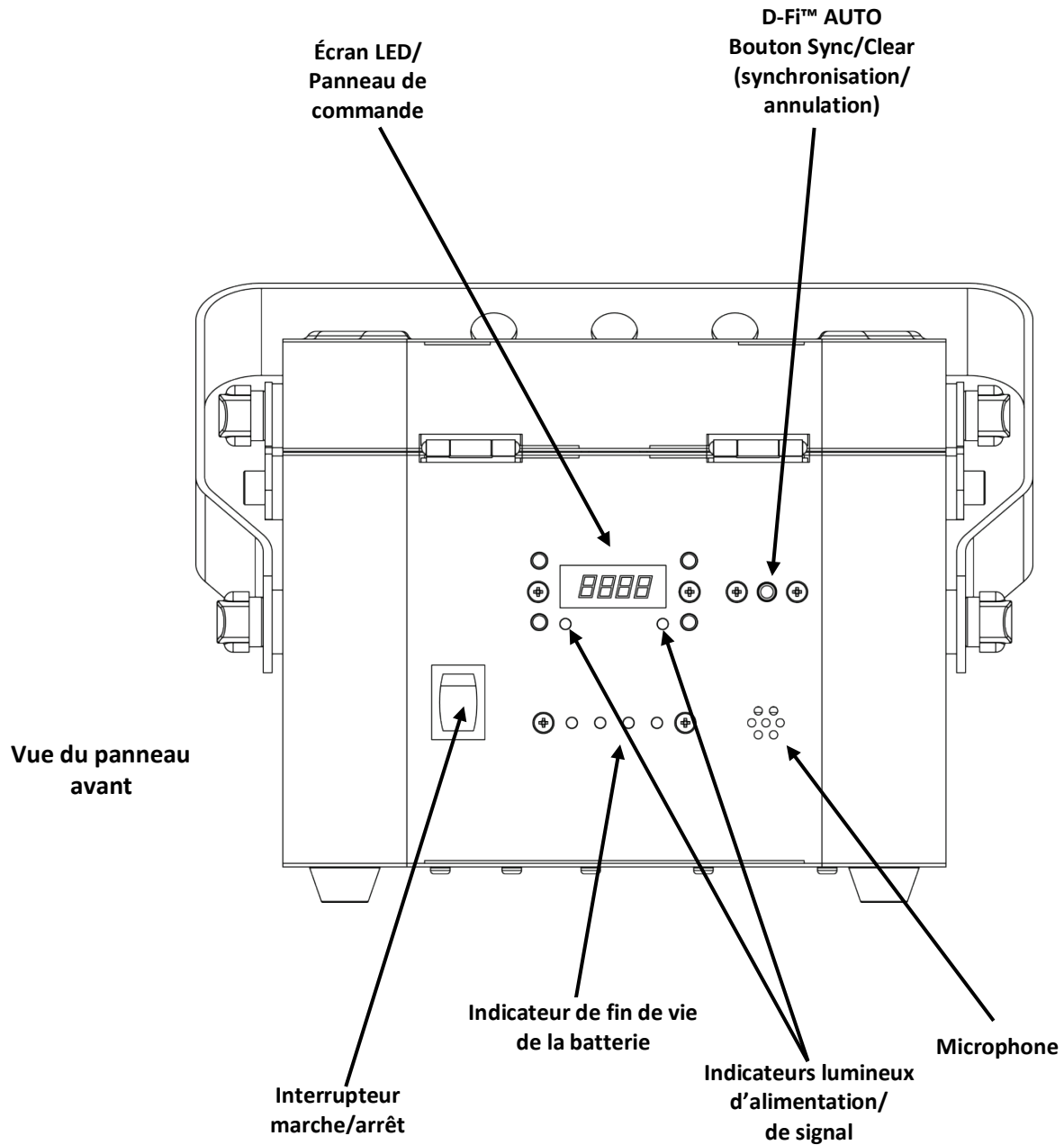
- Conservez ce manuel d'utilisation pour référence future. Si vous êtes amené à vendre l'appareil, assurez-vous que ce document soit transmis au nouveau propriétaire.



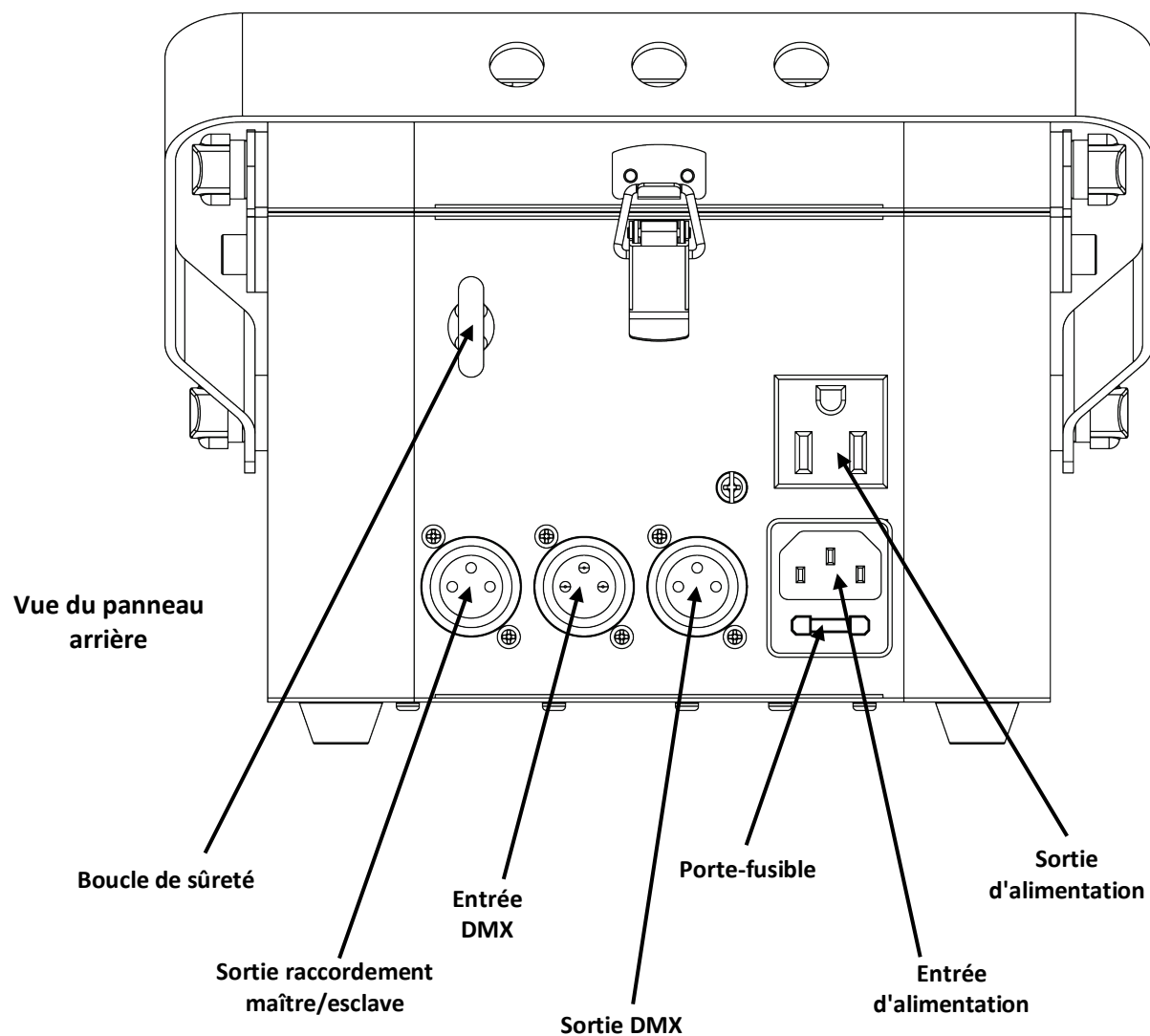
Les appareils de la série Freedom™ RGBA sont dotés d'une batterie rechargeable. Cette batterie contient des produits chimiques nocifs et ne doit pas être jetée avec les déchets ménagers. Contactez votre centre de recyclage pour connaître la réglementation locale en matière de recyclage de vos appareils.

2. INTRODUCTION

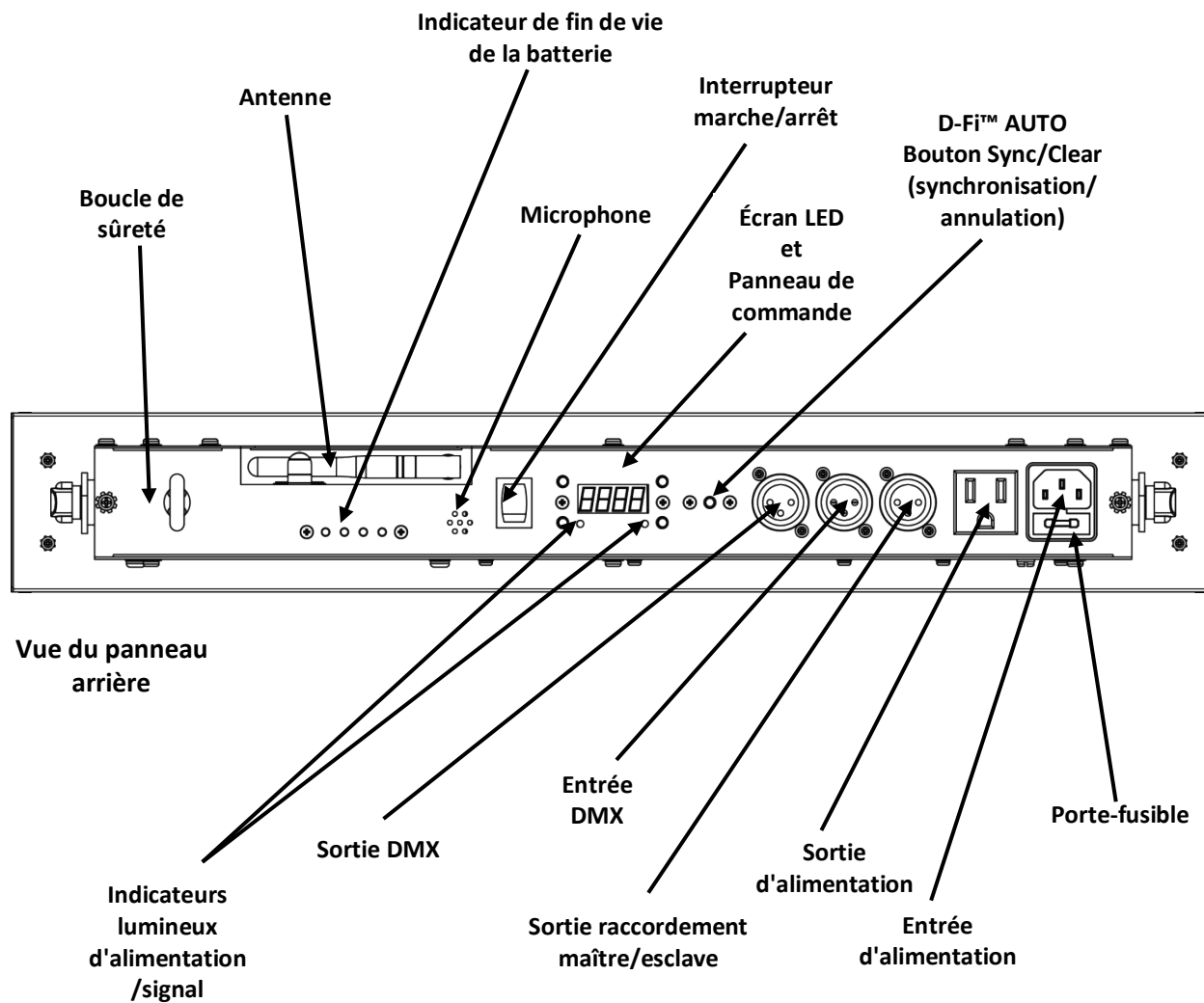
Vue d'Ensemble (Freedom™ Par RGBA)



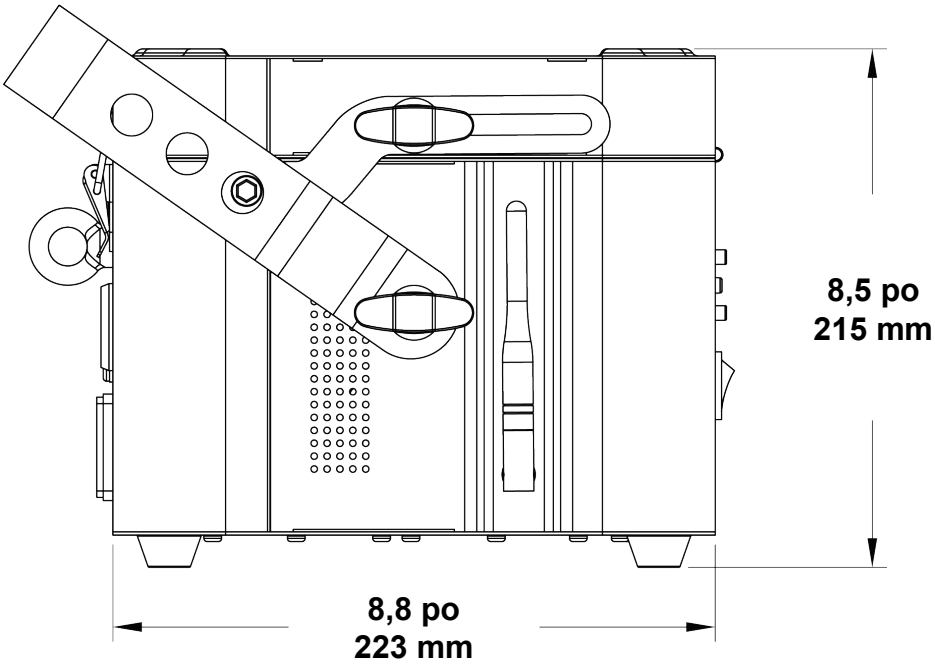
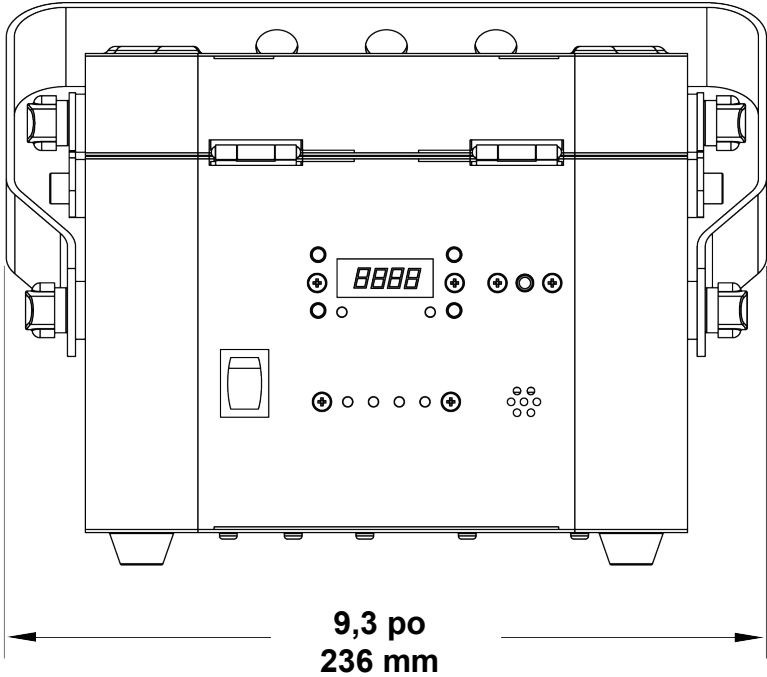
Vue d'Ensemble (Freedom™ Par RGBA)



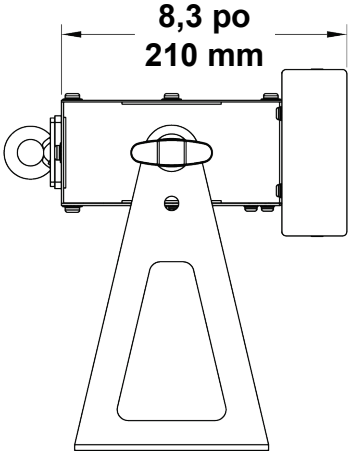
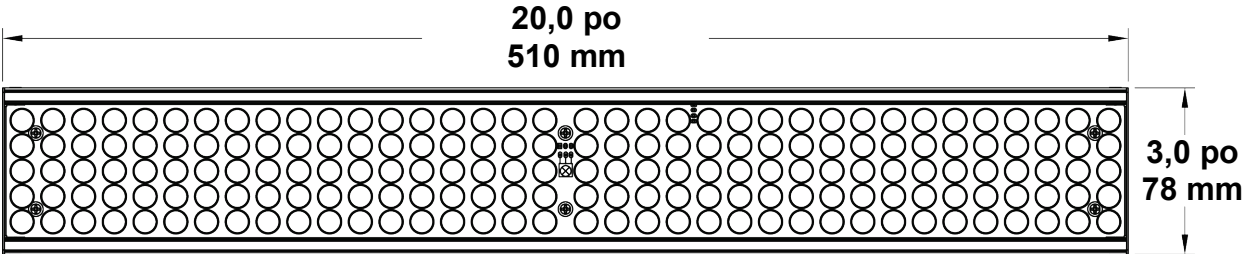
Vue d'Ensemble (Freedom™ Strip Mini RGBA)



Dimensions (Freedom™ Par RGBA)



Dimensions (Freedom™ Strip Mini RGBA)



3. CONFIGURATION

Alimentation La série Freedom™ RGBA est dotée d'une alimentation universelle prenant en charge toute tension d'entrée comprise entre 100 et 240 VCA, 50/60 Hz.

CA

Pour déterminer les exigences en puissance de votre appareil (disjoncteur, prise d'alimentation et câblage), consultez la valeur reprise sur l'étiquette apposée sur le panneau inférieur de l'appareil ou référez-vous au tableau des spécificités de celui-ci. La capacité nominale affichée indique la consommation courante de l'appareil dans des conditions normales d'utilisation.



Connectez toujours l'appareil à un circuit protégé (disjoncteur ou fusible). Assurez-vous que l'appareil soit correctement relié à la terre afin d'éviter tout risque d'électrocution ou d'incendie.



Ne connectez jamais l'appareil à un rhéostat (une résistance variable) ou un circuit voileur, même si vous n'avez l'intention de vous servir du rhéostat ou canal de gradation que comme interrupteur 0 à 100%.

Chargement de la Batterie

La série Freedom™ RGBA est dotée d'une batterie au lithium-ion non réparable par l'utilisateur, pour un fonctionnement sans fil.

Pour charger les batteries des appareils de la série Freedom™ RGBA, il vous suffit de brancher le cordon d'alimentation à tout moment, avant, pendant ou après son utilisation. Pour charger la batterie avant ou après utilisation, quand toutes les LED sont éteintes, assurez-vous de positionner l'interrupteur marche/arrêt sur OFF.

Indicateur de Vie de la Batterie

L'indicateur de vie de la batterie situé sur l'appareil indique le niveau de charge de la batterie. Utilisez le tableau suivant pour découvrir le niveau de charge restant de la batterie par cycle de chargement. Le voyant le plus à droite clignote lors du chargement de la batterie.

	Full charge
	75% charge
	50% charge
	25% charge
	No charge
	All 4 Flashing Full Discharge



Les appareils de la série Freedom™ RGBA doivent être chargés pendant 24 h avant leur première utilisation pour une durée de vie optimale de la batterie.

Entretien de la Batterie

Pour garantir des conditions de fonctionnement optimales de la batterie, conservez l'appareil dans un endroit frais et sec, et rechargez-la une fois tous les 30 jours lorsque vous ne l'utilisez pas.

Évitez d'exposer la batterie à des températures extrêmes. Si l'appareil venait à être exposé à des températures extrêmes, chaudes ou froides, refroidissez- ou réchauffez-le avant chargement ou utilisation.

Tableau de Durée d'Utilisation

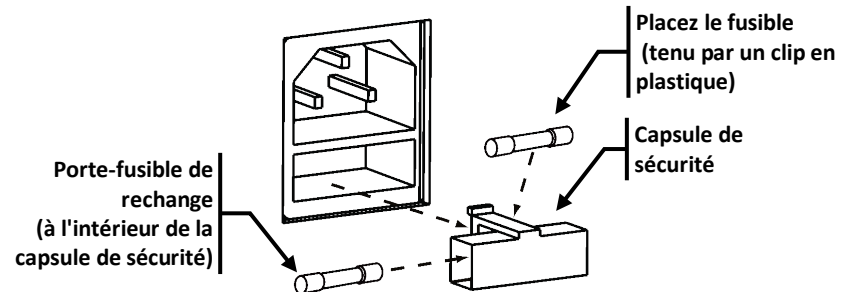
Durée d'utilisation maximale	Durée de chargement
Jusqu'à 8 heures	6 heures

Remplacement du Fusible



Débranchez l'appareil avant de procéder au remplacement du fusible.

1. Débranchez l'appareil de l'alimentation.
2. Insérez et calez la pointe d'un tournevis à tête plate dans la fente du porte-fusible.
3. En faisant levier, faites-le sortir de son emplacement.
4. Retirez le fusible obsolète du porte-fusible.
5. Remplacez le fusible avec un de même type et même ampérage.
6. Insérez à nouveau le porte-fusible à sa place et rebranchez l'appareil.



Aucun fusible de rechange n'est inclus, toutefois, il existe un compartiment dans la capsule de sécurité pour en placer un.



Remplacez toujours un fusible obsolète avec un de même type et même ampérage.

Connexion Électrique

Il est possible de relier l'appareil électriquement à d'autres au moyen de la prise CEI située à l'arrière de celui-ci.

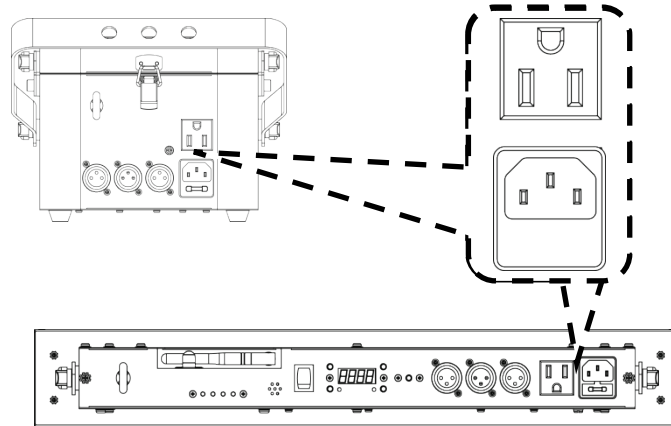
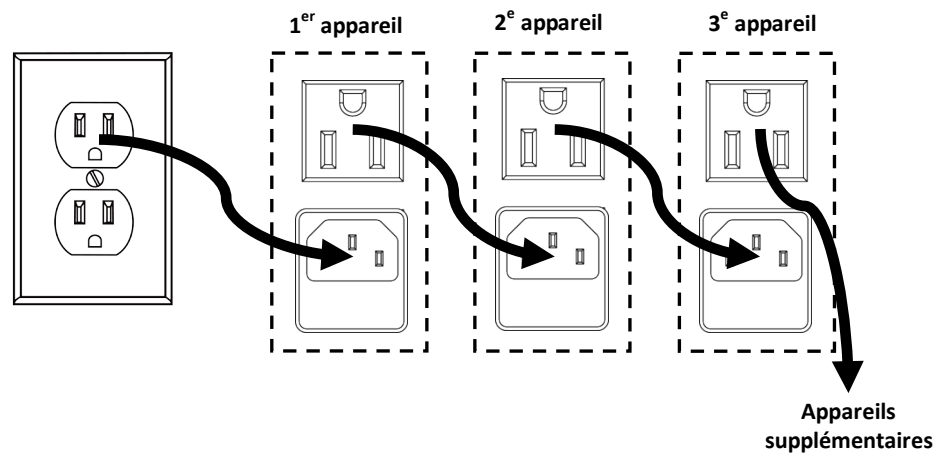


Diagramme de Raccordement d'Alimentation



Vous pouvez raccorder jusqu'à 16 Freedom™ Par RGBA en 120 VCA et jusqu'à 25 Freedom™ Par RGBA en 230 VCA.



Vous pouvez raccorder jusqu'à 16 Freedom™ Strip Mini RGBA en 120 VCA et jusqu'à 25 Freedom™ Strip Mini RGBA en 230 VCA.

Remarque: La vitesse de chargement de la batterie ralentira lorsque les unités sont raccordées entre elles.

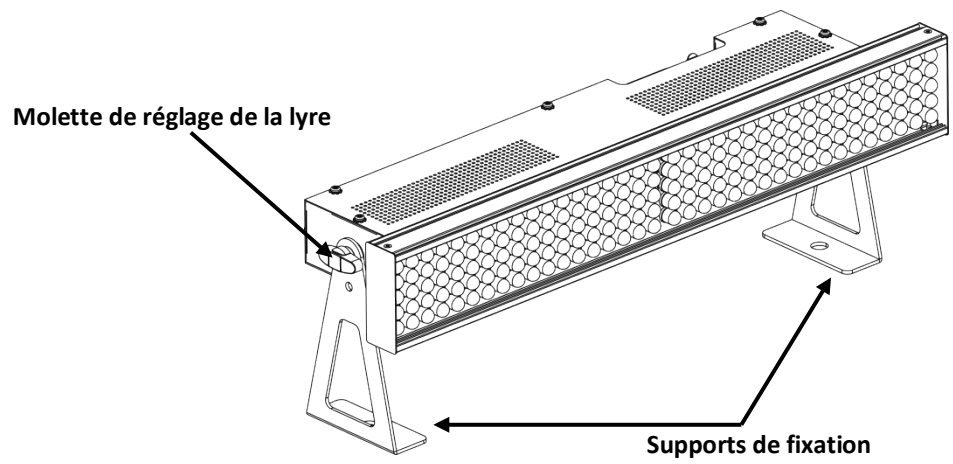
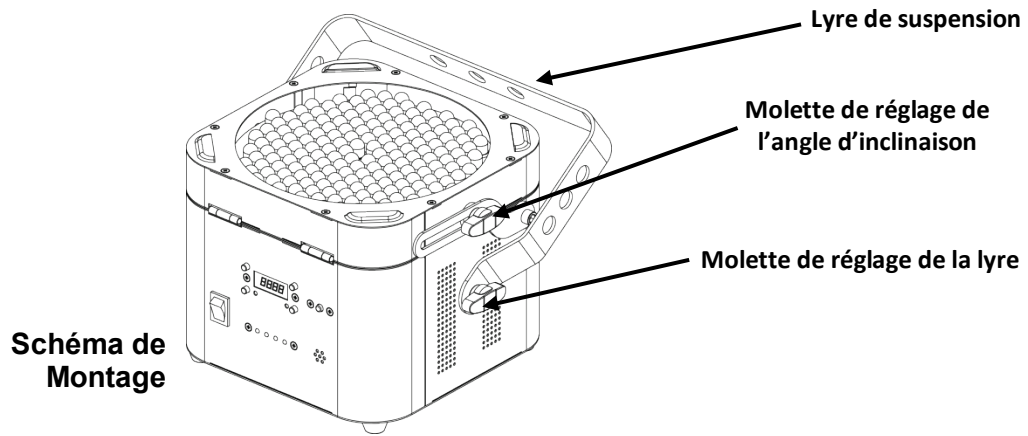


Le schéma de raccordement d'alimentation ci-dessus correspond UNIQUEMENT à la version américaine de cet appareil! Si vous utilisez un appareil en dehors des États-Unis, consultez impérativement votre revendeur local CHAUVET® car il se pourrait que les connecteurs et exigences de raccordement varient d'un pays ou d'une région à l'autre.

Installation Avant d'installer cet appareil, lisez, assimilez et suivez les recommandations en matière de sécurité reprises dans la section Consignes de sécurité.

Orientation Les appareils de la série Freedom™ RGBA peuvent être montés dans n'importe quelle position, assurez-vous toutefois que la ventilation autour des appareils se fasse de manière adéquate.

- Suspension**
- Avant de choisir un emplacement pour l'appareil, assurez-vous qu'il soit facile d'y accéder pour toute opération de maintenance et de programmation.
 - Assurez-vous que la structure ou la surface sur laquelle vous installez l'appareil peut en supporter le poids (voir les [Spécificités techniques](#)).
 - Utilisez toujours un câble de sécurité lorsque vous montez cet appareil en hauteur. Garantisiez un montage en toute sécurité de l'appareil en le reliant à un point de fixation, qu'il s'agisse d'une plateforme en hauteur ou d'une structure.
 - Lors de la suspension de l'appareil à une structure, vous devriez utiliser un clip de fixation en mesure de supporter la charge nécessaire.
 - Lors du raccordement en alimentation de multiples unités, prenez toujours en considération la longueur du câble de raccordement et montez les unités assez proches l'une de l'autre en vous assurant que le câble puisse y être connecté.
 - Les molettes de réglage de la fixation permettent d'ajuster la position de l'appareil lors de son positionnement à l'angle désiré. N'utilisez aucun outil pour relâcher ou resserrer les molettes de la fixation. En utiliser pourrait endommager les molettes.
 - Les lyres de suspension du Freedom™ Strip Mini RGBA permettent également de poser l'appareil au sol ou de le suspendre. Lors de la pose de l'appareil au sol, assurez-vous que ni l'appareil ni aucun câble ne se trouve dans le chemin de véhicules ou personnes.



4. FONCTIONNEMENT

Fonctionnement du Panneau de Commande

Pour accéder aux fonctions du panneau de commande, utilisez les quatre boutons situés autour de l'écran.

Bouton	Fonction
<MODE>	Sélection d'un mode de fonctionnement ou de sortie de l'option de menu en cours
<UP>	Permet de parcourir vers le haut la liste des options ou de trouver une valeur supérieure
<DOWN>	Permet de parcourir vers le bas la liste des options ou de trouver une valeur inférieure
<ENTER>	Permet d'activer une option de menu ou une valeur sélectionnée.

Tableau du Menu

Mode	Étapes de Programmation		Description	
	SdAd	001–509		
SYS	d-CH	4CH	Active le mode 4 canaux DMX	
		5CH	Active le mode 5 canaux DMX	
	S-tr	tA.S	t-AU	Sélection automatique de la fréquence d'émission (pour utilisation infrarouge)
		t.CH	t001–t016	Sélection manuelle de la fréquence d'émission (pour utilisation infrarouge)
		drA.S	dr.AU	Sélection automatique de la fréquence de réception (pour utilisation DMX)
		dr.CH	dr.01–dr.16	Sélection manuelle de la fréquence de réception (pour utilisation DMX)
		dtA.S	dt.AU	Sélection automatique de la fréquence d'émission (pour utilisation DMX)
		dt.CH	dt.01–dt.16	Sélection manuelle de la fréquence d'émission (pour utilisation DMX)
	d-SL	SL.00–SL.32	Définition de la sensibilité au son (mode DMX)	
		SAAAd		Réinitialisation du logiciel
	ACt (niveaux supplémentaires non disponibles dans tous les programmes)	A001–A026	F.000–F.100	Vitesse du flash (lent à rapide)
			SL.00–SL.32	Sensibilité au son (mode automatique)
			P.000–P.100	Vitesse d'utilisation (lent à rapide)
C.000–C.100			Bleu (seulement en A023)	
Y.000–Y.100			Ambre (seulement en A023)	
ACtC (niveaux supplémentaires non disponibles dans tous les programmes)	AC01–AC14	F.000–F.100	Vitesse du flash (lent à rapide)	
		SL.00–SL.32	Sensibilité au son (mode automatique)	
		P.000–P.100	Vitesse d'utilisation (lent à rapide)	
		C.000–C.100	Bleu (seulement en AC13)	

Tableau du Menu (suite)	Mode	Étapes de Programmation		Description
	SLAv	rA.S	r-AU	Sélection automatique de la fréquence de réception (pour utilisation infrarouge)
		r-St	r001–r016	Sélection manuelle de la fréquence de réception (pour utilisation infrarouge)
S-Ir			Connexion infrarouge avec l'IRC (télécommande à infrarouge) uniquement	

Configuration (DMX)

Mettez l'appareil en mode DMX pour permettre la commande depuis le jeu d'orgues.

1. Branchez l'appareil à une prise adéquate.
2. Mettez-le sous tension.
3. Connectez un câble DMX de la sortie DMX du jeu d'orgues DMX à l'entrée DMX sur le produit.

Adresse de Départ

Au moment de sélectionner une adresse DMX de départ, gardez toujours à l'esprit le nombre de canaux DMX que le mode DMX sélectionné utilise. Si vous choisissez une adresse de départ trop élevée, vous pourriez restreindre l'accès à certains canaux de l'appareil.

Les appareils de la série Freedom™ RGBA utilisent jusqu'à cinq canaux DMX dans leur mode DMX 5 canaux, ce qui permet la configuration de l'adresse la plus élevée en **505**.

Si vous n'êtes pas familier avec le DMX, vous pouvez télécharger l'introduction au DMX sur www.chauvetlighting.com.

Pour sélectionner l'adresse de départ, faites comme suit:

1. Appuyez sur **<MODE>** jusqu'à ce que s'affichent sur l'écran **SYS, Act, ActC, SLAv**, ou **S-Ir**.
2. Utilisez **<UP>** ou **<DOWN>** pour sélectionner **SYS**.
3. Appuyez sur **<ENTER>**.
4. Utilisez **<UP>** ou **<DOWN>** pour sélectionner **SdAd**.
5. Appuyez sur **<ENTER>**.
6. Utilisez **<UP>** ou **<DOWN>** pour sélectionner l'adresse de départ.
7. Appuyez sur **<ENTER>**.

Personnalités DMX

La série Freedom™ RGBA comporte 2 personnalités DMX. La première est une personnalité de base à 4 canaux et l'autre une personnalité plus avancée à 5 canaux.

Pour sélectionner la personnalité à 4 ou 5 canaux, faites comme suit:

1. Appuyez sur **<MODE>** jusqu'à ce que s'affiche sur l'écran **SYS, Act, ActC, SLAv**, ou **S-Ir**.
2. Utilisez **<UP>** ou **<DOWN>** pour sélectionner **SYS**.
3. Appuyez sur **<ENTER>**.
4. Utilisez **<UP>** ou **<DOWN>** pour sélectionner **S-Ir**.
5. Appuyez sur **<ENTER>**.
6. Utilisez **<UP>** ou **<DOWN>** pour sélectionner soit **4CH** (mode 4 canaux) soit **5CH** (mode 5 canaux).
7. Appuyez sur **<ENTER>**.

Valeurs, Assignations et Modes de Canaux DMX

5	Canal	Fonction	Valeur	Canal 2	Canal 3	Canal 4	Canal 5
Canaux		Noir général	000 ⇔ 008		Vitesse du flash 000 ⇔ 249 Musical 250 ⇔ 255		
		Rouge	009 ⇔ 017				
		Vert	018 ⇔ 026				
		Bleu	027 ⇔ 035				
		Ambre	036 ⇔ 044				
		Rouge + Vert	045 ⇔ 053				
		Rouge + Bleu	054 ⇔ 062				
		Rouge + Ambre	063 ⇔ 071				
		Vert + Bleu	072 ⇔ 080				
		Bleu + Ambre	081 ⇔ 089				
		Rouge + Vert + Bleu	090 ⇔ 098				
		Vert + Ambre	099 ⇔ 107				
		Rouge + Vert + Ambre	108 ⇔ 116				
		Rouge + Bleu + Ambre	117 ⇔ 125				
		Vert + Bleu + Ambre	126 ⇔ 134				
	Rouge + Vert + Bleu + Ambre	135 ⇔ 143					
1		Changement de couleur 1	144 ⇔ 152	Vitesse de fonctionnement Automatique 000 ⇔ 127 Musical 128 ⇔ 255			
		Changement de couleur 2	153 ⇔ 161				
		Chenillard de couleur 1	162 ⇔ 170				
		Chenillard de couleur 2	171 ⇔ 179				
		Chenillard de couleur 3	180 ⇔ 188				
		Chenillard de couleur 4	189 ⇔ 197				
		Changement de couleur 3	198 ⇔ 206				
	Mode RVBA	207 ⇔ 215	Rouge (0–100%) 000 ⇔ 255	Vert (0–100%) 000 ⇔ 255	Bleu (0–100%) 000 ⇔ 255	Ambre (0–100%) 000 ⇔ 255	
	Aperçu de couleur	216 ⇔ 224	Vitesse de l'aperçu 000 ⇔ 255				
	Couleurs en fondu	225 ⇔ 233	Vitesse de fondu 000 ⇔ 255				
	Fonctionnement automatique (musical uniquement)	234 ⇔ 255	Vitesse de fonctionnement Automatique 000 ⇔ 127 Musical 128 ⇔ 255				

Remarque: Les paramètres de la fonction musicale en modes ACt et ACtC auront un effet sur la portée de la sensibilité au son en mode DMX. Pour une sensibilité au son optimale en mode DMX, veuillez tout d'abord à ajuster les paramètres de sensibilité au son de l'ACt et l'ACtC à votre environnement.



- Les valeurs du canal 2 doivent être comprises dans la plage des valeurs de fonctionnement pour que le fonctionnement automatique puisse avoir lieu.
- Si l'appareil de la série Freedom™ RGBA est en mode musical, et si aucun son n'est produit dans les 6 secondes, l'appareil reviendra de lui-même sur un programme automatique. Baissez la sensibilité au son à 128 pour éviter ceci.

Valeurs, Assignations et Modes de Canaux DMX (suite)

4	Canal	Fonction	Valeur	Pourcentage
Canaux	1	Rouge	000 ⇔ 255	0 à 100%
	2	Vert	000 ⇔ 255	0 à 100%
	3	Bleu	000 ⇔ 255	0 à 100%
	4	Ambre	000 ⇔ 255	0 à 100%

Configuration (Autonome)

Mettez l'appareil en l'un des modes autonomes pour permettre la commande sans jeu d'orgues.

1. Branchez l'appareil à une prise adéquate.
2. Mettez-le sous tension.



Ne connectez jamais un appareil en fonctionnement en mode autonome (qu'il s'agisse du mode statique, automatique ou musical) à une chaîne DMX reliée à un jeu d'orgues DMX. Les unités en mode autonome peuvent émettre un signal DMX pouvant interférer avec les signaux DMX du jeu d'orgues.

Mode Automatique ACt

Pour activer le mode automatique ACt, faites comme suit:

1. Appuyez sur **<MODE>** jusqu'à ce que s'affiche sur l'écran **SYS, ACt, ACtC, SLAv,** ou **S-Ir**.
2. Utilisez **<UP>** ou **<DOWN>** pour sélectionner **ACt**.
3. Appuyez sur **<ENTER>**.
4. Utilisez les boutons **<UP>** ou **<DOWN>** pour choisir le programme souhaité (**A000–A026**).
5. Appuyez sur **<ENTER>**.

Certains programmes comporteront des fonctionnalités supplémentaires. Pour découvrir ces options, appuyez sur **<ENTER>** après avoir sélectionné un programme automatique. Ensuite, appuyez sur **<UP>** ou **<DOWN>** pour choisir le paramètre de votre choix. Tous les programmes ne comporteront pas forcément toutes les fonctionnalités additionnelles.

Fonction	Description
F.000–F.100	Vitesse du flash (lent à rapide)
SL.00–SL.32	Sensibilité au son (mode automatique)
P.000–P.100	Vitesse d'utilisation (lent à rapide)
C.000–C.100	Bleu
Y.000–Y.100	Ambre

**Programmes
Automatiques
ACT**

Programme	Fonction		
A000	Pas de fonction		
A001	Rouge		
A002	Vert		
A003	Bleu		
A004	Ambre		
A005	Rouge + Vert		
A006	Rouge + Bleu		
A007	Rouge + Ambre		
A008	Vert + Bleu		
A009	Bleu + Ambre		
A010	Rouge + Vert + Bleu		
A011	Vert + Ambre		
A012	Rouge + Vert + Ambre		
A013	Rouge + Bleu + Ambre		
A014	Vert + Bleu + Ambre		
A015	Rouge + Vert + Bleu + Ambre		
A016	Changement de couleur 1		
A017	Changement de couleur 2		
A018	Chenillard de couleur 1		
A019	Chenillard de couleur 2		
A020	Chenillard de couleur 3		
A021	Chenillard de couleur 4		
A022	Changement de couleur 3		
A023	<table border="1"> <tr> <td>RVB plein feu</td> <td> Dans ce canal: P est rouge (P.001–P.100) F est vert (F.001–F.100) C est bleu (C.001–C.100) Y est ambre (Y.001–Y.100) </td> </tr> </table>	RVB plein feu	Dans ce canal: P est rouge (P.001–P.100) F est vert (F.001–F.100) C est bleu (C.001–C.100) Y est ambre (Y.001–Y.100)
RVB plein feu	Dans ce canal: P est rouge (P.001–P.100) F est vert (F.001–F.100) C est bleu (C.001–C.100) Y est ambre (Y.001–Y.100)		
A024	Aperçu de couleur		
A025	Couleur en fondu		
A026	Musical		

Mode Automatique ACtC

Le mode automatique ACtC (Compatibilité) permet aux appareils de la série Freedom™ RGBA de fonctionner en conjonction avec les précédents modèles des séries Freedom™.

Pour activer le mode ACtC automatique, faites comme suit:

1. Appuyez sur **<MODE>** jusqu'à ce que s'affiche sur l'écran **SYS, ACt, ACtC, SLAv, ou S-Ir**.
2. Utilisez **<UP>** ou **<DOWN>** pour sélectionner **ACtC**.
3. Appuyez sur **<ENTER>**.
4. Utilisez les boutons **<UP>** ou **<DOWN>** pour choisir le programme souhaité (**AC00–AC23**).
5. Appuyez sur **<ENTER>**.

Certains programmes comporteront des fonctionnalités supplémentaires. Pour découvrir ces options, appuyez sur **<ENTER>** après avoir sélectionné un programme automatique. Appuyez ensuite sur **<UP>** ou **<DOWN>** pour sélectionner le paramètre désiré. Tous les programmes ne comporteront pas forcément toutes les fonctionnalités additionnelles.

Fonction	Description
F.000–F.100	Vitesse du flash (lent à rapide)
SL.00–SL.32	Sensibilité au son (mode automatique)
P.000–P.100	Vitesse d'utilisation (lent à rapide)
C.000–C.100	Bleu

Programmes ACtC Automatiques

Program	Fonction	
AC00	Pas de fonction	
AC01	Rouge	
AC02	Vert	
AC03	Bleu	
AC04	Jaune	
AC05	Violet	
AC06	Cyan	
AC07	Blanc	
AC08	Changement de couleur 1	
AC09	Changement de couleur 2	
AC10	Changement de couleur 3	
AC11	Changement de couleur 4	
AC12	Changement de couleur 5	
AC13	RVB plein feu	Dans ce canal: P est rouge (P.000–P.100) F est vert (F.000–F.100) C est bleu (C.000–C.100)
AC14	Couleur en fondu	

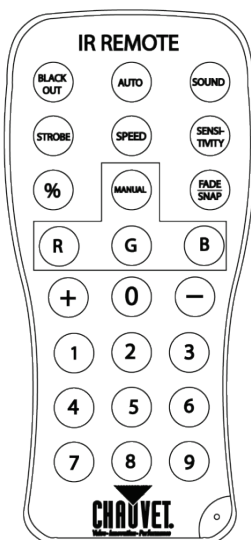
IRC (Télécommande à Infrarouge)

La série Freedom™ RGBA est entièrement compatible avec la télécommande à infrarouge (l'IRC) de CHAUVET® (vendue séparément).

Pour configurer le fonctionnement d'un produit de la série Freedom™ RGBA avec l'IRC, faites comme suit:

1. Appuyez sur **<MODE>** jusqu'à ce que s'affiche sur l'écran **SYS, ACt, ACtC, SLAv**, ou **S-Ir**.
2. Utilisez **<UP>** ou **<DOWN>** pour sélectionner **S-Ir**.
3. Appuyez sur **<ENTER>**.
4. Commencez à utiliser l'IRC.

Fonctionnement de l'IRC



AMode automatique

Le mode automatique vous permettra de faire fonctionner les programmes automatiques de l'unité.

Pour activer le mode automatique:

1. Appuyez sur le bouton **<AUTO>** sur l'IRC.
2. Appuyez sur **<+>** ou **<->** afin de choisir parmi les différents programmes automatiques.

Pour ajuster la vitesse du programme automatique:

1. Sur la télécommande, appuyez sur le bouton **<SPEED>**.
2. Et enfin sur **<+>** ou **<->** pour augmenter ou diminuer la vitesse du programme.

Mode musical

Le mode musical permettra à l'unité de répondre au rythme de la musique.

Pour activer le mode musical:

1. Sur la télécommande, appuyez sur le bouton **<SOUND>**.
2. Et enfin sur **<+>** ou **<->** pour augmenter ou diminuer la sensibilité au son.

Pour ajuster la sensibilité au son en mode musical:

1. Sur la télécommande, appuyez sur le bouton **<SENSITIVITY>**.
2. Et enfin sur **<+>** ou **<->** pour augmenter ou diminuer la sensibilité au son.

Commande manuelle des couleurs

Pour choisir une couleur spécifique manuellement

1. Appuyez sur n'importe quel chiffre compris entre **0** et **9** sur l'IRC pour choisir votre couleur.

Bouton	Couleur
0	Blanc
1	Rouge
2	Orange
3	Jaune
4	Vert
5	Cyan
6	Bleu
7	Violet/Mauve
8	Rose
9	Ambre

Fonctionnement de l'IRC (suite)

Pour commander manuellement le pourcentage de RVB:

1. Sur la télécommande, appuyez sur le bouton **<MANUAL>**.
2. Appuyez sur **<R>** (rouge), **<G>** (vert) ou **** (bleu) pour choisir votre couleur.
3. Appuyez sur **0–100** pour sélectionner une valeur de pourcentage.
4. Appuyez sur **<%>** pour définir la modification de pourcentage.

Opérations diverses

Pour ajuster la cadence de clignotement du stroboscope pour un programme:

1. Sur la télécommande, appuyez sur **<STROBE>**.
2. Puis sur **<+>** ou **<->** pour augmenter ou diminuer la cadence de clignotement du stroboscope.
3. Pour arrêter le stroboscope, appuyez de nouveau sur **<STROBE>**.

Pour modifier l'effet de permutation du programme:

1. Sur la télécommande, appuyez sur **<FADE/SNAP>**.

Fade permutera l'effet tout en douceur. Snap le fera rapidement.

Pour mettre les projecteurs en noir général:

1. Sur la télécommande, appuyez sur **<BLACKOUT>**.

Tous les projecteurs ainsi s'éteindront jusqu'à nouvelle pression sur le bouton.

À NOTER: L'IRC ne répondra à aucune commande tant que la fonction noir général est activée. Si la télécommande ne répond pas quand un bouton est pressé, essayez d'appuyer sur **<BLACKOUT>**. Il se pourrait que vous ayez par inadvertance activé la fonction.

D-Fi™ 2.4 Ghz (Mode DMX Synchronisation Automatique)

La série Freedom™ RGBA propose de commander de manière sans fil deux unités ou plus grâce à un seul jeu d'orgues DMX. Pour configurer automatiquement la fonction de synchronisation du D-Fi™ pour les fonctionnalités DMX, faites comme suit:

Pour l'appareil émetteur:

1. Appuyez sur **<MODE>** jusqu'à ce que s'affiche sur l'écran **SYS, ACT, ACTC, SLAv**, ou **S-Ir**.
2. Utilisez **<UP>** ou **<DOWN>** pour sélectionner **SYS**.
3. Appuyez sur **<ENTER>**.
4. Appuyez sur **<UP>** ou **<DOWN>** jusqu'à ce qu'apparaisse à l'écran **S-tr**.
5. Appuyez sur **<ENTER>**.
6. Appuyez sur **<UP>** ou **<DOWN>** jusqu'à ce qu'apparaisse à l'écran **dtA.S**.
7. Appuyez sur **<ENTER>** et **dt.AU** s'affichera à l'écran.

Pour le ou les appareils récepteurs:

1. Appuyez sur **<MODE>** jusqu'à ce que s'affiche sur l'écran **SYS, ACT, ACTC, SLAv**, ou **S-Ir**.
2. Utilisez **<UP>** ou **<DOWN>** pour sélectionner **SYS**.
3. Appuyez sur **<ENTER>**.
4. Appuyez sur **<UP>** ou **<DOWN>** jusqu'à ce qu'apparaisse à l'écran **S-tr**.
5. Appuyez sur **<ENTER>**.
6. Appuyez sur **<UP>** ou **<DOWN>** jusqu'à ce qu'apparaisse à l'écran **drA.S**.
7. Appuyez sur **<ENTER>** et **dr.AU** s'affichera à l'écran.
8. Appuyez sur **<AUTO>** pendant environ 10 secondes afin de configurer l'appareil récepteur.

Une fois les étapes précédentes complétées, pressez et maintenez enfoncé **<AUTO>** uniquement sur l'émetteur pendant environ 30 s. L'écran et le signal LED clignoteront, indiquant que la synchronisation est activée.

Vous pouvez ensuite quitter et revenir sur le menu général pour configuration de l'émetteur afin qu'il fonctionne avec le jeu d'orgues DMX.

Pour ce faire, consultez la section [Adresse de Départ](#) de ce manuel.

- **Pour l'ajout d'appareils supplémentaires de la série Freedom™, désactivez les unités synchronisées et répétez les étapes précédentes avec les appareils non synchronisés. Une fois toutes les unités synchronisées, activez-les toutes à nouveau.**



- **La détection automatique pour la synchronisation doit être effectuée dans un rayon de 10 m (32 pieds).**

Remarque: Les signaux de synchronisation automatiques peuvent être bloqués si l'appareil émetteur et l'appareil récepteur sont trop proches l'un de l'autre. Si la synchronisation semble impossible, éloignez-les et essayez de les synchroniser à nouveau.



- **Si l'antenne venait à ne pas fonctionner correctement ou si vous avez besoin d'améliorer la qualité du signal, sortez l'antenne et positionnez-la dans la continuité du boîtier de l'appareil tout en gardant une visibilité directe sans obstacle entre appareils.**
- **Assurez-vous que tous les appareils connectés sont configurés sur la même personnalité DMX (4 canaux ou 5 canaux).**
- **Attention: Le fonctionnement du D-Fi™ entre l'émetteur et le récepteur peut être interrompu ou empêché par les personnes ou les liquides comme l'eau ou la neige. Pour des résultats optimaux, veuillez diriger l'antenne hors du champ de ces obstacles.**

D-Fi™ 2.4 Ghz (Mode DMX Synchronisation Manuelle)

La série Freedom™ RGBA propose de commander de manière sans fil deux unités ou plus grâce à un seul jeu d'orgues DMX. Pour configurer manuellement la fonction de synchronisation du D-Fi™ pour les fonctionnalités DMX, faites comme suit:

Pour l'appareil émetteur:

1. Appuyez sur **<MODE>** jusqu'à ce que s'affiche sur l'écran **SYS, ACt, ACtC, SLAv,** ou **S-Ir**.
2. Utilisez **<UP>** ou **<DOWN>** pour sélectionner **SYS**.
3. Appuyez sur **<ENTER>**.
4. Appuyez sur **<UP>** ou **<DOWN>** jusqu'à ce qu'apparaisse à l'écran **S-tr**.
5. Appuyez sur **<ENTER>**.
6. Appuyez sur **<UP>** ou **<DOWN>** jusqu'à ce qu'apparaisse à l'écran **dt.CH**.
7. Appuyez sur **<ENTER>**.
8. Utilisez **<UP>** ou **<DOWN>** pour sélectionner le signal émetteur (**dt.01-dt.16**).

Pour le ou les appareils récepteurs:

1. Appuyez sur **<MODE>** jusqu'à ce que s'affiche sur l'écran **SYS, ACt, ACtC, SLAv,** ou **S-Ir**.
2. Utilisez **<UP>** ou **<DOWN>** pour sélectionner **SYS**.
3. Appuyez sur **<ENTER>**.
4. Appuyez sur **<UP>** ou **<DOWN>** jusqu'à ce qu'apparaisse à l'écran **S-tr**.
5. Appuyez sur **<ENTER>**.
6. Appuyez sur **<UP>** ou **<DOWN>** jusqu'à ce qu'apparaisse à l'écran **dr.CH**.
7. Appuyez sur **<ENTER>**.
8. Utilisez **<UP>** ou **<DOWN>** pour sélectionner le signal récepteur (**dr.01–dr.16**). Le numéro du canal devrait correspondre au signal transmis que vous avez sélectionné lors des étapes précédentes.

Une fois les étapes précédentes effectuées, vous pouvez ensuite quitter et revenir sur le menu général pour configuration de l'émetteur afin qu'il fonctionne avec le jeu d'orgues DMX.

Pour ce faire, consultez la section Adresse de départ dans le chapitre Fonctionnement de ce manuel.



- **Si l'antenne venait à ne pas fonctionner correctement ou si vous avez besoin d'améliorer la qualité du signal, sortez l'antenne et positionnez-la dans la continuité du boîtier de l'appareil tout en gardant une visibilité directe sans obstacle entre appareils.**
- **Assurez-vous que tous les appareils connectés sont configurés sur la même personnalité DMX (4 canaux ou 5 canaux).**
- **Pour synchroniser de multiples émetteurs dans une seule pièce, configurez manuellement chaque récepteur et l'émetteur désigné sur une fréquence particulière, puis procédez aux différentes étapes de synchronisation.**

D-Fi™ 2.4 Ghz (Mode Autonome /Infrarouge Synchronisation Automatique)

Les appareils de la série Freedom™ RGBA peuvent être configurés pour commander deux unités au plus sans jeu d'orgues externes ou avec l'IRC de CHAUVET® (vendue séparément). Pour configurer automatiquement la fonction de synchronisation du D-Fi™ pour les fonctionnalités autonome ou infrarouge, faites comme suit:

Pour l'appareil émetteur:

1. Appuyez sur **<MODE>** jusqu'à ce que s'affiche sur l'écran **SYS, ACt, ACtC, SLAv**, ou **S-Ir**.
2. Utilisez **<UP>** ou **<DOWN>** pour sélectionner **SYS**.
3. Appuyez sur **<ENTER>**.
4. Appuyez sur **<UP>** ou **<DOWN>** jusqu'à ce qu'apparaisse à l'écran **S-tr**.
5. Appuyez sur **<ENTER>**.
6. Appuyez sur **<UP>** ou **<DOWN>** jusqu'à ce que s'affiche **tA.S**.
7. Appuyez sur **<ENTER>** et **t-AU** s'affichera à l'écran.

Pour le ou les appareils récepteurs:

1. Appuyez sur **<MODE>** jusqu'à ce que s'affiche sur l'écran **SYS, ACt, ACtC, SLAv**, ou **S-Ir**.
2. Utilisez **<UP>** ou **<DOWN>** pour sélectionner **SLAv**.
3. Appuyez sur **<ENTER>**.
4. Appuyez sur **<UP>** ou **<DOWN>** jusqu'à ce que s'affiche **rA.S**.
5. Appuyez sur **<ENTER>** et **r-AU** s'affichera à l'écran.
6. Appuyez sur **<AUTO>** pendant environ 10 secondes afin de configurer l'appareil récepteur.

Une fois les étapes précédentes complétées, pressez et maintenez enfoncé **<AUTO>** uniquement sur l'émetteur pendant environ 30 s. L'écran et le signal LED clignoteront, indiquant que la synchronisation est activée.

Vous pouvez ensuite quitter et revenir sur le menu général pour configuration de l'émetteur afin qu'il fonctionne en mode automatique ou avec une IRC (vendue séparément).

Pour configurer l'appareil afin qu'il fonctionne dans l'un des modes automatiques, lisez les sections [Configuration \(Autonome\)](#) et mode automatique spécifique de ce manuel.

Pour configurer l'appareil afin qu'il fonctionne avec l'IRC de CHAUVET®, consultez la section [IRC \(Télécommande Infrarouge\)](#) de ce manuel.

- **Pour l'ajout d'appareils supplémentaires de la série Freedom™, désactivez les unités synchronisées et répétez les étapes précédentes avec les appareils non synchronisés. Une fois toutes les unités synchronisées, activez-les toutes à nouveau.**



- **La détection automatique de la synchronisation doit être effectuée dans un rayon de 10 m (30 pieds).**

Remarque: Les signaux de synchronisation automatiques peuvent être bloqués si l'appareil émetteur et l'appareil récepteur sont trop proches l'un de l'autre. Si la synchronisation semble impossible, éloignez-les et essayez de les synchroniser à nouveau.

- **Lorsqu'est utilisée la fonction de synchronisation du D-Fi™, l'appareil émetteur peut également être raccordé par chaînage DMX à d'autres appareils compatibles de la série Freedom™.**



- **Si l'antenne venait à ne pas fonctionner correctement ou si vous avez besoin d'améliorer la qualité du signal, sortez l'antenne et positionnez-la dans la continuité du boîtier de l'appareil tout en gardant une visibilité directe sans obstacle entre appareils.**

D-Fi™ 2.4 Ghz (Mode Autonome /Infrarouge Synchronisation Manuelle)

Les appareils de la série Freedom™ RGBA peuvent être configurés pour commander deux unités au plus sans jeu d'orgues externes ou avec l'IRC de CHAUVET® (vendue séparément). Pour configurer manuellement la fonction de synchronisation du D-Fi™ pour les fonctionnalités autonome ou infrarouge, faites comme suit:

Pour l'appareil émetteur:

1. Appuyez sur **<MODE>** jusqu'à ce que s'affiche sur l'écran **SYS, ACT, ACTC, SLAv**, ou **S-Ir**.
2. Utilisez **<UP>** ou **<DOWN>** pour sélectionner **SYS**.
3. Appuyez sur **<ENTER>**.
4. Appuyez sur **<UP>** ou **<DOWN>** jusqu'à ce qu'apparaisse à l'écran **S-tr**.
5. Appuyez sur **<ENTER>**.
6. Appuyez sur **<UP>** ou **<DOWN>** jusqu'à ce qu'apparaisse à l'écran **t.CH**.
7. Appuyez sur **<ENTER>**.
8. Utilisez **<UP>** ou **<DOWN>** pour sélectionner le signal émetteur (**t.001-t.016**).

Pour le ou les appareils récepteurs:

1. Appuyez sur **<MODE>** jusqu'à ce que s'affiche sur l'écran **SYS, ACT, ACTC, SLAv**, ou **S-Ir**.
2. Utilisez **<UP>** ou **<DOWN>** pour sélectionner **SLAv**.
3. Appuyez sur **<ENTER>**.
4. Appuyez sur **<UP>** ou **<DOWN>** jusqu'à ce qu'apparaisse à l'écran **r-St**.
5. Appuyez sur **<ENTER>**.
6. Utilisez **<UP>** ou **<DOWN>** pour sélectionner le signal récepteur (**r001-r016**). Le numéro du canal devrait correspondre au signal transmis que vous avez sélectionné lors des étapes précédentes.

Une fois les étapes précédentes complétées, vous pouvez ensuite quitter et configurer l'appareil émetteur pour qu'il fonctionne soit en mode automatique soit avec l'IRC (vendue séparément).

Pour configurer votre appareil afin qu'il fonctionne en mode automatique, consultez la section mode automatique du chapitre Fonctionnement de ce manuel.

Pour configurer l'appareil afin qu'il fonctionne avec l'IRC de CHAUVET®, consultez la section IRC (télécommande infrarouge) du chapitre Fonctionnement de ce manuel.



- **Lorsqu'est utilisée la fonction de synchronisation du D-Fi™, l'appareil émetteur peut également être raccordé par chaînage DMX à d'autres appareils compatibles de la série Freedom™.**



- **Si l'antenne venait à ne pas fonctionner correctement ou si vous avez besoin d'améliorer la qualité du signal, sortez l'antenne et positionnez-la dans la continuité du boîtier de l'appareil tout en gardant une visibilité directe sans obstacle entre appareils.**
- **Pour synchroniser de multiples émetteurs dans une seule pièce, configurez manuellement chaque récepteur et l'émetteur désigné sur une fréquence particulière, puis procédez aux différentes étapes de synchronisation.**



- **La série Freedom™ est entièrement compatible avec le transceiver (émetteur/récepteur) D-Fi™ 2.4 GHz de CHAUVET® (vendu séparément).**
- **Pour de plus amples informations sur le fonctionnement du D-Fi™ 2.4 GHz, veuillez consulter le manuel d'utilisation de ce dernier disponible sur le site Web de CHAUVET®: www.chauvetlighting.com.**

Mode Maître/Esclave

Le mode Maître/Esclave permet à un seul appareil de la série Freedom™ RGBA (le "maître") de commander les actions d'un ou plusieurs appareils de la série Freedom™ RGBA (les "esclaves") sans avoir recours à un jeu d'orgues DMX. L'unité maître sera configurée de manière à fonctionner soit en mode automatique soit en mode musical, tandis que les unités esclaves seront configurées en mode esclave. Une fois configurées et connectées, les unités esclaves fonctionneront à l'unisson avec l'unité maître.

Configurez les unités comme indiqué ci-dessous.

Unités esclaves:

1. Connectez l'entrée DMX de la première unité esclave à la sortie DMX de l'unité maître. L'unité esclave passera automatiquement en mode esclave et **SLA** s'affichera à l'écran.
2. Connectez l'entrée DMX de l'unité esclave suivante à la sortie DMX de l'unité esclave précédente.
3. Terminez la configuration et raccordez toutes les unités esclaves.

Unité maître:

1. Configurez l'unité maître afin qu'elle fonctionne soit en mode automatique soit en mode musical.
2. Placez l'unité maître en début de la chaîne DMX.



- **Ne connectez jamais de jeu d'orgues DMX à une chaîne DMX configurée en fonctionnement Maître/Esclave car le jeu d'orgues pourrait interférer avec les signaux de l'unité maître.**
- **Ne connectez jamais plus de 31 unités esclave à l'unité maître.**

Effet Piste d'Atterrissage Maître/Esclave

L'effet Piste d'atterrissage Maître/Esclave permet à un seul appareil de la série Freedom™ RGBA (le "maître") de commander les actions d'un ou plusieurs appareils de la série Freedom™ RGBA (les "esclaves") en ordre séquentiel pour un effet "Piste d'atterrissage" sans avoir recours à un jeu d'orgues DMX. L'unité maître sera configurée de manière à fonctionner dans des modes automatiques particuliers, tandis que les unités esclaves seront configurées en mode esclave. Une fois configurées et connectées, les unités esclaves fonctionneront à l'unisson avec l'unité maître.

Configurez les unités comme indiqué ci-dessous.

1. Connectez l'entrée DMX de la première unité esclave à la sortie DMX de l'unité maître. L'unité esclave passera automatiquement en mode esclave et **SLA** s'affichera à l'écran.
2. Connectez l'entrée DMX de l'unité esclave suivante à la sortie DMX de l'unité esclave précédente.
3. Une fois les connexions DMX terminées, réinitialisez le logiciel de l'unité maître en suivant les étapes suivantes. Le logiciel des unités esclaves y associées sera ainsi également réinitialisé.
 - a. Appuyez sur **<MODE>** jusqu'à ce que s'affiche sur l'écran **SYS, ACt, ACtC, SLAv, ou S-Ir**.
 - b. Utilisez **<UP>** ou **<DOWN>** pour sélectionner **SYS**.
 - c. Appuyez sur **<ENTER>**.
 - d. Appuyez sur **<UP>** ou **<DOWN>** jusqu'à ce qu'apparaisse à l'écran **SAAd**.
 - e. Appuyez sur **<ENTER>**.
4. Sur l'unité maître, choisissez le programme auto comme décrit dans la section [Mode Automatique ACt](#) de ce manuel. Seuls les programmes automatiques ACt **A018–A021** permettent l'utilisation de cette fonctionnalité.

5. INFORMATIONS TECHNIQUES

Entretien de l'Appareil

L'accumulation de poussière réduit la sortie de lumière et peut entraîner une surchauffe de l'appareil. La durée de vie de la source lumineuse peut s'en trouver réduite. Pour un fonctionnement optimal et une usure minimisée, nettoyez l'appareil au moins deux fois par mois. Toutefois, les conditions d'utilisation et environnementales peuvent requérir un nettoyage plus fréquent.

Pour nettoyer le produit, suivez les instructions comme indiquées ci-après:

- Mettez l'appareil hors tension.
- Attendez que celui-ci soit à température de la pièce.
- Utilisez un aspirateur (ou de l'air comprimé sec) et une brosse douce pour enlever la poussière accumulée sur les surfaces/ventilations externes.
- Nettoyez toutes les surfaces transparentes avec une solution à base de savon doux, de nettoyant pour vitres dépourvu d'ammoniaque ou d'alcool isopropylique.
- Appliquez la solution directement sur un tissu doux en coton non pelucheux ou un tissu optique.
- Nettoyez en douceur toute trace de saleté ou d'impureté vers les bords extérieurs des surfaces transparentes.
- Nettoyez en douceur ces surfaces jusqu'à ce que toute peluche ou trace ait disparu.



Assurez-vous de bien sécher toutes les surfaces transparentes après les avoir nettoyées.

6. SPECIFICITES TECHNIQUES

Dimensions et Poids	Longueur (Par)	Largeur (Par)	Hauteur (Par)	Poids (Par)
	9,3 pouces (236 mm)	8,8 pouces (223 mm)	8,5 pouces (215 mm)	7,4 lb (3,4 kg)
	Longueur (Strip Mini)	Largeur (Strip Mini)	Hauteur (Strip Mini)	Poids (Strip Mini)
	20,0 pouces (510 mm)	8,3 pouces (210 mm)	3,0 pouces (78 mm)	7,6 lb (3,4 kg)

À noter: Les dimensions en pouces sont arrondies à la décimale la plus proche.

À noter: Sauf indication contraire, tous les spécificités sont applicables aussi bien au Freedom™ Par RGBA qu'au Freedom™ Strip Mini RGBA.

Alimentation	Type d'Alimentation	Plage	Sélection de Puissance
		Commutation (interne)	100 à 240 V, 50/60 Hz
Freedom™ Par RGBA		120 V, 60 Hz	230 V, 50 Hz
	Consommation	71 W	94 W
	Courant de fonctionnement	0,6 A	0,4 A
	Courant de chaînage (unités)	10 A (16 unités)	10 A (25 unités)
	Fusible	F 2 A, 250 V	F 2 A, 250 V
Freedom™ Strip Mini RGBA		120 V, 60 Hz	230 V, 50 Hz
	Consommation	71 W	94 W
	Courant de fonctionnement	0,6 A	0,4 A
	Courant de chaînage (unités)	10 A (16 unités)	10 A (25 unités)
	Fusible	F 2 A, 250 V	F 2 A, 250 V
E/S d'Alimentation		États-Unis/Monde	Royaume-Uni/Europe
	Connecteur d'entrée d'alimentation	CEI	CEI
	Connecteur de sortie d'alimentation	Edison	CEI
	Fiche du cordon d'alimentation	Edison (États-Unis)	Prise locale

Source Lumineuse	Type	Alimentation	
		LED	0,25 W
Couleur		Freedom™ Par RGBA	Freedom™ Strip Mini RGBA
	Rouge	46	50
	Vert	42	50
	Bleu	46	50
	Ambre	46	50

Photo-Optique	Paramètre	Freedom™ Par RGBA	Freedom™ Strip Mini RGBA
		Éclairage lumineux à 2 m	1,390 lx
	Angle de faisceau	15°	13°
	Angle de champ	24°	24°

Batterie et Sans Fil	Paramètre	
		Durée d'utilisation maximale
	Durée de chargement	6 h
	Fréquence de fonctionnement:	2.433 à 2.481 GHz

Thermique	Température Externe Maximale	Système de Refroidissement
		104° F (40° C)

DMX	Connecteurs E/S	Type de Connecteur	Plage de Canal
		XLR 3 broches	Prises

Commander	Nom de l'Appareil	Code de l'Article	Numéro UPC
		Freedom™ Par RGBA	02030608
	Freedom™ Strip Mini RGBA	02030609	781462209575

RoHS



Si vous deviez nous retourner votre appareil ou demander assistance, suivez la procédure indiquée ci-après:

- Si vous résidez aux États-Unis, contactez le siège mondial de CHAUVET® (voir coordonnées ci-après).
- Si vous vivez au Royaume-Uni ou en Irlande, contactez CHAUVET® Europe Ltd. (voir coordonnées ci-après).
- Si vous résidez n'importe où ailleurs, NE contactez pas CHAUVET®. Contactez plutôt votre revendeur. Consultez notre site Web www.chauvetlighting.com pour connaître les coordonnées des distributeurs hors des États-Unis, du Royaume-Uni ou de l'Irlande.



Si vous résidez en dehors des États-Unis, du Royaume-Uni et de l'Irlande, contactez votre revendeur et suivez leurs instructions quant à la procédure à suivre pour renvoyer votre appareil. Consultez notre site Web pour trouver leurs coordonnées.

Renvois

Téléphonez au centre d'assistance technique de CHAUVET® correspondant et demandez un numéro d'autorisation de retour (NAR) avant de nous réexpédier l'appareil. Pour l'obtenir, il vous sera demandé de fournir le numéro du modèle, le numéro de série ainsi qu'une brève description de l'objet du retour.

Vous devez nous retourner la marchandise en port prépayé, dans ses boîte et emballage d'origine et avec tous ses accessoires. CHAUVET® ne délivrera pas d'étiquettes de renvoi.

Indiquez lisiblement le NAR sur une étiquette apposée sur le colis. CHAUVET® refusera la réception de tout appareil pour lequel aucun NAR n'a été demandé.



Inscrivez le NAR sur une étiquette convenablement collée. N'écrivez PAS le NAR directement sur le colis.

Avant de nous retourner le colis, inscrivez les informations suivantes, de manière lisible, sur une feuille de papier, que vous placerez à l'intérieur du colis:

- Votre nom
- Votre adresse
- Votre numéro de téléphone
- Le NAR
- Une courte description du problème

Veillez à emballer l'appareil de manière adéquate. Vous serez tenu responsable de tout dommage survenant lors de l'expédition de retour dû à un emballage inadéquat. Nous vous recommandons d'utiliser un emballage double ou celui de FedEx.



CHAUVET® se réserve le droit, à sa convenance, de réparer ou remplacer tout appareil qui lui est retourné.

Nous Contacter

Siège Mondial

CHAUVET®

Informations Générales

Adresse: 5200 NW 108th Avenue
Sunrise, FL 33351
Téléphone: (954) 577-4455
Fax: (954) 929-5560
Numéro Vert: (800) 762-1084

Soutien Technique

Téléphone: (954) 577-4455 (Press 4)
Fax: (954) 756-8015
Email: tech@chauvetlighting.com

World Wide Web

www.chauvetlighting.com

Royaume-Uni & Irlande

CHAUVET® Europe Ltd.

Informations Générales

Adresse: Unit 1C
Brookhill Road Industrial Estate
Pinxton, Nottingham, UK
NG16 6NT
Téléphone: +44 (0)1773 511115
Fax: +44 (0)1773 511110

Soutien Technique

Email: uktech@chauvetlighting.com

World Wide Web

www.chauvetlighting.co.uk

