

FORCE *i*

Force *i25*
Dual 15-Inch Two-Way
Full-Range Speaker System



Key Features:

- Two-Element Shaded Array
- RMD™ - Ring-Mode Decoupling
- 1-inch Exit Pure Titanium True Compression Driver
- 80° x 55° true Constant-Directivity horn
- High Power Crossover Network
- Built-in Wheels for Easy Transport
- Manufactured in the United States



General Description:

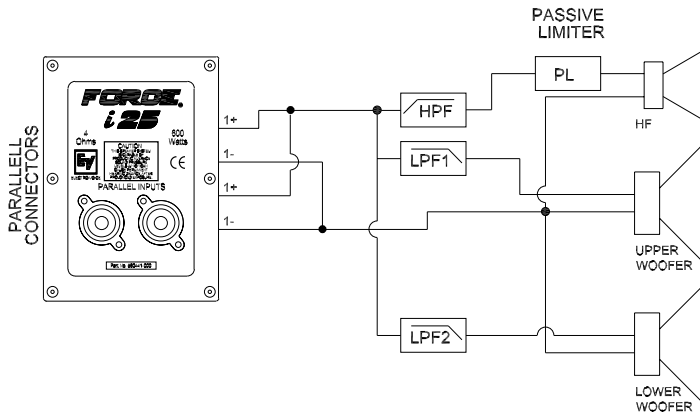
The Force i25 is a dual 15" two-way system with the heart and soul of a subwoofer. Utilizing a two element shaded array, the upper woofer covers bass and mids while the lower woofer combines to drive the huge bass port with room-shaking efficiency. EV's Ring Mode Decoupling (RMD) technology assures that voices and instruments will stay smooth and detailed regardless of level. The DH3 one inch exit true compression driver has a pure titanium diaphragm for sparkling, crystal clear highs. Coupled with our proven 80° x 55° low distortion Constant Directivity™ horn, your audience will hear more details more clearly throughout more of the room than with typical competitive 90° horns. The large single handle on the top of the enclosure makes it easy to tilt and roll the Force i25 on its built-in pocket wheels. For truly outstanding performance, power a pair of Electro-Voice Force i25's with an Electro-Voice CP2200 power amplifier or a Dynacord PowerMate™ powered mixer.

Technical Specifications:

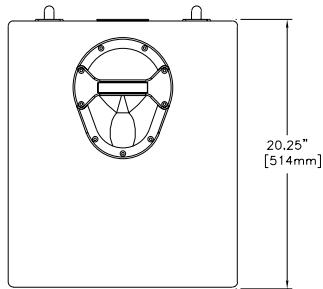
| | |
|---------------------------------------|---|
| Freq. Response (-3 dB) ¹ : | 46 Hz - 18 kHz |
| Freq. Range (-10 dB) ¹ : | 35 Hz - 20 kHz |
| Sensitivity (1W / 1m): | 100 dB |
| Max. Calc. SPL: | 134 dB |
| Power Handling: | 600W |
| Coverage: | 80° x 55° |
| Impedance (Nominal): | 4 ohms |
| LF Transducers: | (2) EV-15E, 15" (381mm) LF Drivers |
| HF Transducer: | DH3, 1" (25.4mm) Exit HF Compression Driver |
| Crossover Frequency: | 2.15 kHz |
| Finish: | Heavy Duty Black Carpet |
| Connectors: | (2) Speakon® NL4 |
| Grille: | Powder Coated Steel |
| Dim (H x W x D) in: | 45.98" x 17.92" x 20.25" |
| Dim (H x W x D) mm: | 1168 mm x 455 mm x 514 mm |
| Net Weight: | 106 lbs (48.1 kg) |
| Shipping Weight: | 116 lbs (52.7 kg) |

¹ Frequency Response 1/2 Space

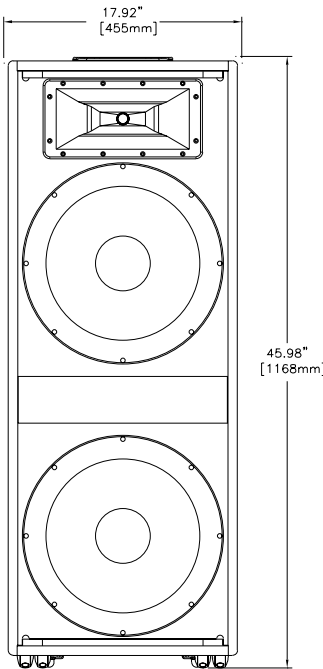
Block Diagram:



Dimension Drawings:



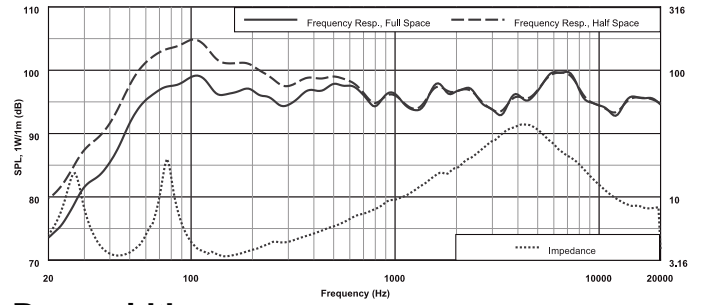
Top



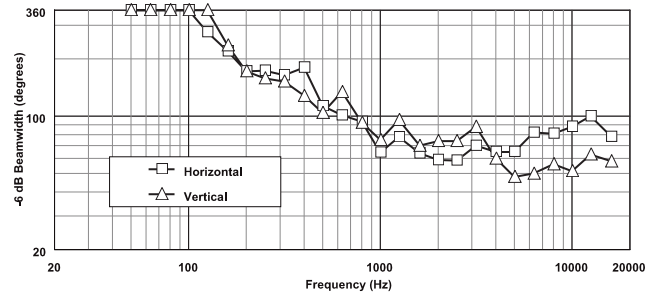
Front

Side

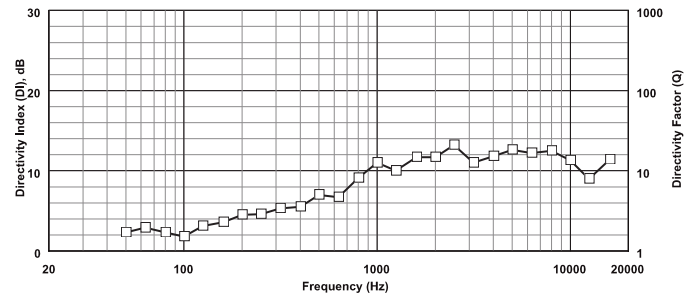
Frequency Response:



Beamwidth:



Directivity:



Performance Match:

- Electro-Voice® CP2200 Power Amplifier
- Dynacord® PowerMate 600 Powered Mixer
- Dynacord® PowerMate 1000 Powered Mixer
- Dynacord® PowerMate 1600 Powered Mixer



12000 Portland Avenue South, Burnsville, MN 55337

Phone: 952/884-4051, Fax: 952/884-0043

www.electrovoice.com

© Telex Communications, Inc. 3/2006

Part Number 38110-458 Rev A

U.S.A. and Canada only. For customer orders, contact Customer Service at:

800/392-3497 Fax: 800/955-6831

Europe, Africa, and Middle East only. For customer orders, contact Customer Service at:

+ 49 9421-706 0 Fax: + 49 9421-706 265

Other International locations. For customer orders, contact Customer Service at:

+ 1 952 884-4051 Fax: + 1 952 887-9212

For warranty repair or service information, contact the Service Repair department at:

800/685-2606

For technical assistance, contact Technical Support at: **866/78AUDIO**

Specifications subject to change without notice.