

FLEXWAVE 412A 412B

Guitar Speaker Enclosures



CRATE®

Owner's Manual

Introduction

Congratulations! You are now the proud owner of the Crate FlexWave 412A or 412B guitar amplifier loudspeaker enclosure. The FlexWave 412A/B guitar cabinets are built from the finest materials and components available. The cabinets are carefully constructed and then covered with extremely tough fabric-backed vinyl. The cabinets are then loaded with four custom designed 12" speakers.

The FlexWave 412A and 412B come standard with steel handles, a switchable, dual-impedance mono/stereo jackplate, and heavy-duty removable casters. The FW412B features a straight baffle while the FW412A features a slanted top baffle.

The FlexWave 412A and 412B enclosures are compatible with any Crate head, including the FlexWave 120H. With 120 watts of power-handling capacity, they can process everything from sparkling clean guitar sounds to face-melting distortion.

Like all Crate products, the FlexWave 412A and 412B guitar enclosures are designed by musicians and built using only the best components. Extensive testing confirms that these guitar enclosures are the absolute best they can be. In order to get the most out of your new guitar enclosure, we strongly urge you to read this manual before you begin playing.

And **thank you** for choosing Crate.

Important Safety Instructions

1. Read, follow, and keep these instructions. Heed all warnings.
2. This speaker is capable of producing high sound pressure levels that may cause permanent hearing damage. User caution is advised and ear protection is recommended during use.
3. This speaker is designed for use on a sturdy, level surface. Whenever stacking speaker cabinets, do not stack more than two high. Only speaker cabinets which are equipped with caster cups on their top surfaces are to be used underneath a cabinet which is equipped with casters.
4. Speaker cables are a tripping hazard and must be routed out of traffic areas and away from any possible accidental contact.
5. Do not expose this speaker to rain or moisture. Do not place liquid filled containers on this speaker. Clean only with a damp cloth.
6. Repair or service of this speaker should be performed only by qualified personnel.

The Input/Output Plate:

1. Impedance Selector Switch: Use this switch to select 16 ohm mono operation or 8 ohm stereo/4 ohm mono operation.

2. Out 1/4" Jack: When using the cabinet in the mono operating mode, use this jack to connect the cabinet to another speaker enclosure of the same impedance.

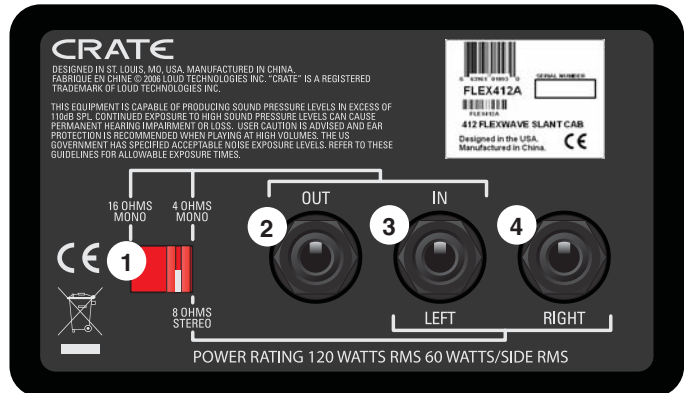
3. In/Left 1/4" Jack: When using the cabinet in the mono operating mode, use this jack as the cabinet's input jack. Connect the output of your amplifier to this jack by means of the speaker cable provided.

When using the cabinet in the stereo operating mode, connect this jack to the left channel output of your amplifier.

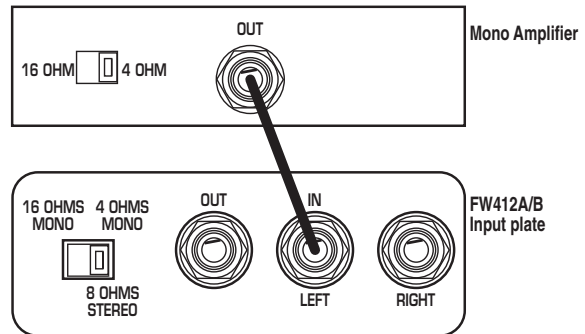
4. Right 1/4" Jack: When using the cabinet in the stereo operating mode, connect this jack to the right channel output of your amplifier.

When using the cabinet in the mono operating mode, this jack is not used.

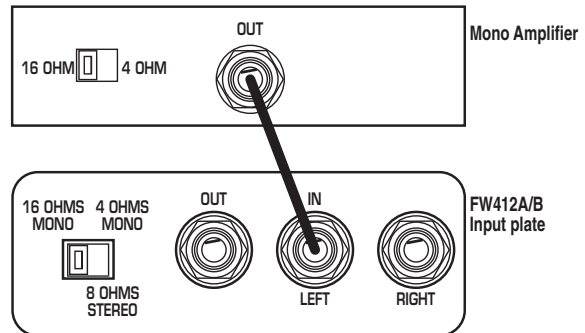
Refer to the illustrations on the right for additional information.



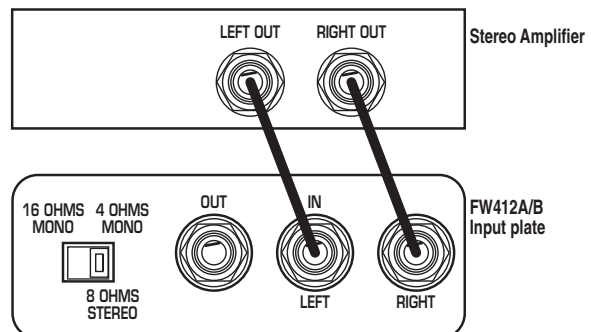
4 Ohm Mono Configuration:



16 Ohm Mono Configuration:



8 Ohm Stereo Configuration:



FlexWave 412A/B Technical Specifications:

Impedance	4 or 16 ohms Mono, 8 ohms Stereo
RMS Power Rating	120 watts Mono, 60 watts Stereo
Peak Power Handling	240 watts Mono, 120 watts Stereo
Frequency Response	80 Hz – 5 kHz
Sensitivity	96 dB SPL 1 watt/1 meter
Maximum SPL	118 dB
Transducers	(4) Custom Design 12" 16 ohm 30 watt speakers
Full Range Inputs	(3) 1/4" jacks: Mono In/Out, Stereo Left and Right
Dimensions (H x W x D)	31.5 in x 30.0 in x 14.0 in 80.0 cm x 76.2 cm x 35.6 cm
Weight	FW412A: 50.0 lb/22.7 kg FW412B: 52.0 lb/23.6 kg

Specifications subject to change without notice.

The FlexWave 412A and 412B are covered with a durable fabric-backed vinyl material. Wipe it clean with a lint-free cloth. Never spray cleaning agents onto the cabinet. Avoid abrasive cleansers which would damage the finish.

Crate continually develops new products, as well as improves existing ones. For this reason, the specifications and information in this manual are subject to change without notice.

"Crate" is a registered trademark of LOUD Technologies Inc. All other brand names mentioned are trademarks or registered trademarks of their respective holders and are hereby acknowledged.

Service Information:

If you are having a problem with your FlexWave 412A or 412B, you can go to our website (www.crateamps.com) and click on Support for service information, or call 1-800-898-3211 during business hours (7 am to 5 pm PST, Monday-Friday). If you are outside of the U.S., contact your local distributor for technical support and service.



www.crateamps.com

©2007 LOUD Technologies Inc.

16220 Wood-Red Road NE • Woodinville, WA 98072

Part No. 0023759 Rev. A 02/07