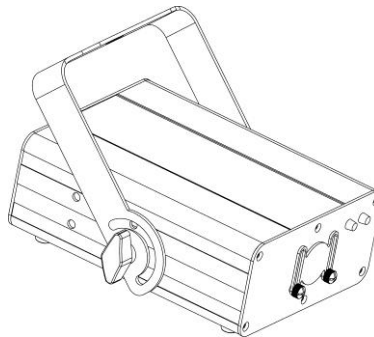




## Snapshot

OK on Dimmer	⊘
Outdoor OK	⊘
Sound Activated	✓
DMX512	⊘
Master/Slave	✓
Autoswitching Transformer	✓
Replaceable Fuse	✓
User Serviceable	⊘
Duty Cycle	⊘

## USER MANUAL



Value • Innovation • Performance

3000 N 29<sup>th</sup> Ct, Hollywood, FL 33020 U.S.A.

(800) 762-1084 – (954) 929-1115

FAX (954) 929-5560

[www.chauvetlighting.com](http://www.chauvetlighting.com)

# TABLE OF CONTENTS

<b>1. Before You Begin</b> .....	<b>3</b>
What is included .....	3
Unpacking Instructions .....	3
AC Power .....	3
Contact Us.....	3
Safety Instructions .....	4
NON-INTERLOCKED HOUSING WARNING .....	5
LASER SAFETY AND OPERATING INSTRUCTIONS .....	5
LASER SAFETY LABEL REPRODUCTION.....	6
AVOID DIRECT EYE EXPOSURE.....	7
LASER EMISSION DATA.....	7
LASER COMPLIANCE STATEMENT .....	7
<b>2. Introduction</b> .....	<b>8</b>
Features .....	8
Product Overview.....	8
Product Dimensions.....	9
Proper Usage .....	10
<b>3. Setup</b> .....	<b>11</b>
Mounting .....	11
Orientation.....	11
Rigging.....	11
<b>4. Operating Instructions</b> .....	<b>12</b>
Navigating the Control Panel .....	12
Menu Functions .....	12
General Troubleshooting.....	13
Technical Support .....	14
<b>5. Appendix</b> .....	<b>14</b>
Returns Procedure.....	14
Claims .....	14
Technical Specifications .....	15

# 1. BEFORE YOU BEGIN

## What is included

- 1 x Scorpion™ Storm MG
- 1 x AC/DC Power Supply
- 1 x Warranty Card
- 1 x User Manual

## Unpacking Instructions

Immediately upon receiving a fixture, carefully unpack the carton, check the contents to ensure that all parts are present, and have been received in good condition. Notify the shipper immediately and retain packing material for inspection if any parts appear damaged from shipping or the carton itself shows signs of mishandling. Save the carton and all packing materials. In the event that a fixture must be returned to the factory, it is important that the fixture be returned in the original factory box and packing.

## AC Power

This fixture has an auto-switching power supply that can accommodate a wide range of input voltages. The only thing necessary to do before powering on the unit is to make sure the line voltage you are applying is within the range of accepted voltages. This fixture will accommodate between 100V and 240V AC 50-60 Hz. All fixtures must be powered directly off a switched circuit and cannot be run off a rheostat (variable resistor) or dimmer circuit, even if the rheostat or dimmer channel is used solely for a 0% to 100% switch.

## Contact Us

### **World Wide General Information**

CHAUVET  
3000 North 29<sup>th</sup> Court  
Hollywood, FL 33020  
voice: 954.929.1115  
fax: 954.929.5560  
toll free: 800.762.1084

### **Technical Support**

CHAUVET  
3000 North 29<sup>th</sup> Court  
Hollywood, FL 33020  
voice: 954.929.1115 (**Press 4**)  
fax: 954.929.5560 (**Attention: Service**)

### **World Wide Web**

[www.chauvetlighting.com](http://www.chauvetlighting.com)

## Safety Instructions



Please read these instructions carefully, which includes important information about the installation, usage and maintenance of this product.

- Please keep this User Guide for future consultation. If you sell the unit to another user, be sure that they also receive this instruction booklet.
- Always make sure that you are connecting to the proper voltage, and that the line voltage you are connecting to is not higher than that stated on the decal or rear panel of the fixture.
- This product is intended for indoor use only!
- To prevent risk of fire or shock, do not expose fixture to rain or moisture. Make sure there are no flammable materials close to the unit while operating.
- The unit must be installed in a location with adequate ventilation, at least 20in (50cm) from adjacent surfaces. Be sure that no ventilation slots are blocked.
- Always disconnect from power source before servicing or replacing lamp or fuse and be sure to replace with same lamp source.
- Secure fixture to fastening device using a safety chain. Never carry the fixture solely by its head. Use its carrying handles.
- Maximum ambient temperature (Ta) is 104°F (40°C). Do not operate fixture at temperatures higher than this.
- In the event of a serious operating problem, stop using the unit immediately. Never try to repair the unit by yourself. Repairs carried out by unskilled people can lead to damage or malfunction. Please contact the nearest authorized technical assistance center. Always use the same type spare parts.
- Never connect the device to a dimmer pack.
- Make sure the power cord is never crimped or damaged.
- Never disconnect the power cord by pulling or tugging on the cord.
- Avoid direct eye exposure to the light source while it is on.
- Lasers can be hazardous and have unique safety considerations. Permanent eye injury and blindness is possible if lasers are used incorrectly. Pay close attention to each safety REMARK and WARNING statement in the user manual. Read all instructions carefully BEFORE operating this device.

- Caution!**      **Avoid direct eye contact with laser light. Never intentionally expose your eyes or others to direct laser light.**
- Caution!**      **This laser product can potentially cause instant eye injury or blindness if laser light directly strikes the eyes.**
- Caution!**      **It is illegal and dangerous to shine this laser into audience areas, where the audience or other personnel could get direct laser beams or bright reflections into their eyes.**
- Caution!**      **It is a US Federal offense to shine any laser at aircraft.**
- Caution!**      **Use of controls or adjustments or performance of procedures other than those specified herein may result in hazardous radiation exposure.**
- Caution!**      **There are no user serviceable parts inside the unit. Do not open the housing or attempt any repairs yourself. In the unlikely event your unit may require service, please contact the dealer nearest to you.**

## NON-INTERLOCKED HOUSING WARNING

This unit contains high power laser devices internally. Do not open the laser housing, due to potential exposure to unsafe levels of laser radiation. The laser power levels accessible, if the unit is opened, can cause instant blindness, skin burns and fires.

## LASER SAFETY AND OPERATING INSTRUCTIONS



STOP AND READ ALL LASER SAFETY DATA



Laser Light is different from any other light sources with which you may be familiar. The light from this product can potentially cause eye injury if not set up and used properly. Laser light is thousands of times more concentrated than light from any other kind of light source. This concentration of light can cause instant eye injuries, primarily by burning the retina (the light sensitive portion at the back of the eye). Even if you cannot feel "heat" from a laser beam, it can still potentially injure or blind you or your audience. Even very small amounts of laser light are potentially hazardous even at long distances. Laser eye injuries can happen quicker than you can blink.

It is incorrect to think that because these laser entertainment products split the laser into hundreds of beams that the laser beam is scanned out in high speed, that an individual laser beam is safe for eye exposure. This laser product uses dozens of milliwatts of laser power (Class 3B levels internally) before it splits into multiple beams (Class 3R levels). Many of the individual beams are potentially hazardous to the eyes.

It is also incorrect to assume that because the laser light is moving, it is safe. This is not true. Nor, do the laser beams always move. Since eye injuries can occur instantly, it is critical to prevent the possibility of any direct eye exposure. In the laser safety regulation, it is not legal to aim Class 3R lasers in areas which people can get exposed. This is true even if it is aimed below people's faces, such as on a dance floor.

- Do not operate the laser without first reading and understanding all safety and technical data in this manual.
- Always set up and install all laser effects so that all laser light is at least 3 meters (9.8 feet) above the floor on which people can stand. See "Proper Usage" section later in this manual.
- After set up, and prior to public use, test laser to ensure proper function. Do not use if any defect is detected. Do not use if laser emits only one or two laser beams rather than dozens/hundreds, as this could indicate damage to the diffraction grating optic, and could allow emission of higher laser levels above Class 3R.
- Do not point lasers at people or animals.
- Never look into the laser aperture or laser beams.
- Do not point lasers in areas in which people can potentially get exposed, such as uncontrolled balconies, etc.
- Do not point lasers at highly reflective surfaces, such as windows, mirrors and shiny metal. Even laser reflections can be hazardous.
- Never point a laser at aircraft, this is a federal offense.
- Never point un-terminated laser beams into the sky.
- Do not expose the output optic (aperture) to cleaning chemicals.
- Do not use laser if the laser appears to be emitting only one or two beams.
- Do not use the laser if the housing is damaged, open, or if the optics appear damaged in any way.
- Never open the laser housing. The high laser power levels inside of the protective housing can start fires, burn skin and will cause instant eye injury.
- Never leave this device running unattended.
- The operation of a class 3R laser show is only allowed if the show is controlled by a skilled and well-trained operator, familiar with the data included in this manual.
- The legal requirements for using laser entertainment products vary from country to country. The user is responsible for the legal requirements at the location/country of use.
- Always use appropriate lighting safety cables when hanging lights and effects overhead.

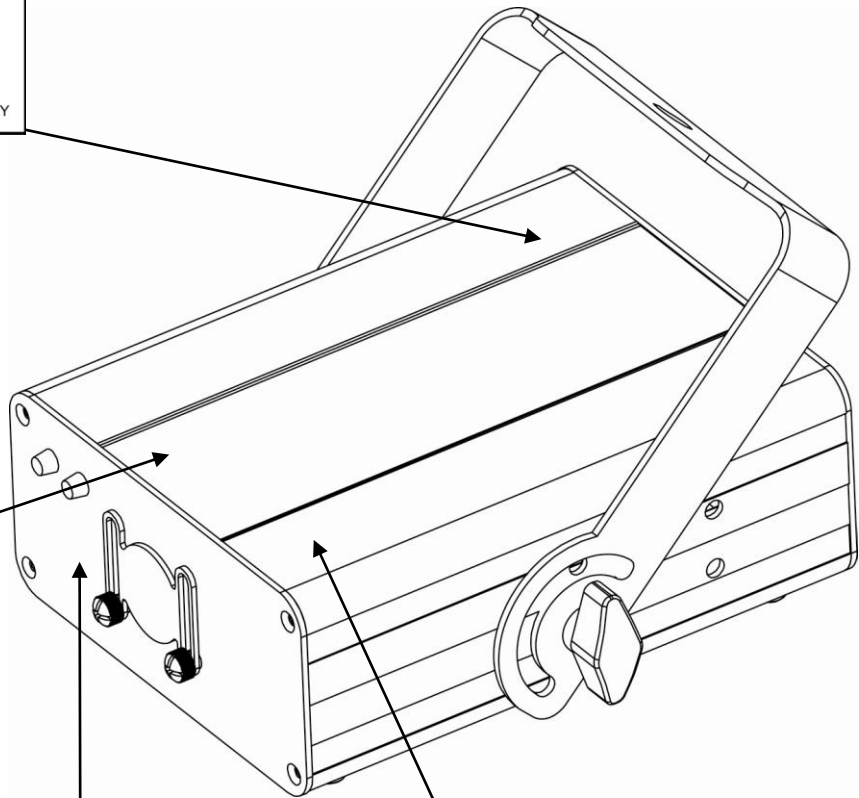
# LASER SAFETY LABEL REPRODUCTION

<p><b>LASER LIGHT</b>          AVOID DIRECT EYE EXPOSURE          CLASS 3R LASER PRODUCT          &lt;5mW 532nm 750uSec - CW</p> <p>CLASSIFIED PER IEC 60825-1 Ed 2, 2007-03</p>		<p>CHAUVET Lighting          3000 N29th Court          Hollywood FL 33020          *** 0910010-000 ***</p>
<p>Complies with FDA performance standards for laser products except for deviations pursuant to Laser Notice No.50, dated June 24, 2007.</p>		
		<p>WORLDWIDE HEADQUARTERS          CHAUVET          HOLLYWOOD, FLORIDA          USA</p>
<p>Model: <b>SCORPION™ STORM MG</b></p> <p>Power: <b>12VDC 1A</b></p> <p>Origin: <b>MADE IN CHINA</b></p> <p>S/N:</p> <p>Manufacturing Date:</p>	<p>THIS APPLIANCE MUST BE EARTHED</p> <p>USE ONLY FUSE OF RATING SHOWN</p> <p>DISCONNECT FROM MAINS BEFORE SERVICING</p> <p>FOR INDOOR USE ONLY</p>	

EXPLANATORY,  
 MANUFACTURER'S ID &  
 CERTIFICATION LABEL



LASER HAZARD  
 WARNING LABEL



LASER APERTURE LABEL



NON INTERLOCKED  
 HOUSING LABEL



## LASER EXPOSURE WARNING



### LASER LIGHT AVOID DIRECT EYE EXPOSURE

Further guidelines and safety programs for safe use of lasers can be found in the ANSI Z136.1 Standard "For Safe Use of Lasers", available from the Laser Institute of America: [www.laserinstitute.org](http://www.laserinstitute.org). Many local governments, corporations, agencies, military and others, require all lasers to be used under the guidelines of ANSI Z136.1. Laser Display guidance can be obtained via the International Laser Display Association: [www.laserist.org](http://www.laserist.org).

#### LASER EMISSION DATA

LASER CLASSIFICATION	CLASS 3R (EQUIV. TO US CLASS IIIA)
Green Laser Medium	DPSS Nd:YVO4, 532nm
Red Laser Medium	LD GaAlAs 650nm, typical
Beam Diameter	<5mm at aperture
Pulse Data	All pulses < 4Hz (>0.25sec)
Divergence (each beam)	<2 mrad
Divergence (total light)	<160 degrees
Laser Power of Each Beam from Aperture*	<5mW

\* As measured under IEC measurement conditions for classification.

#### LASER COMPLIANCE STATEMENT

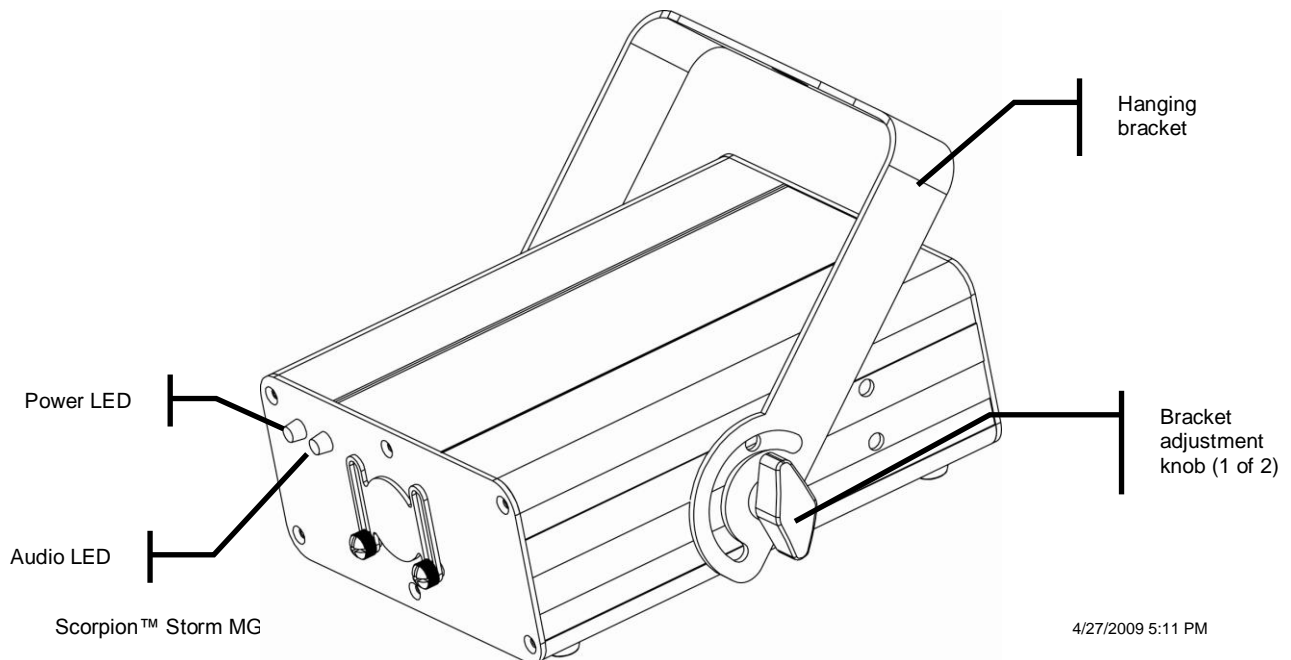
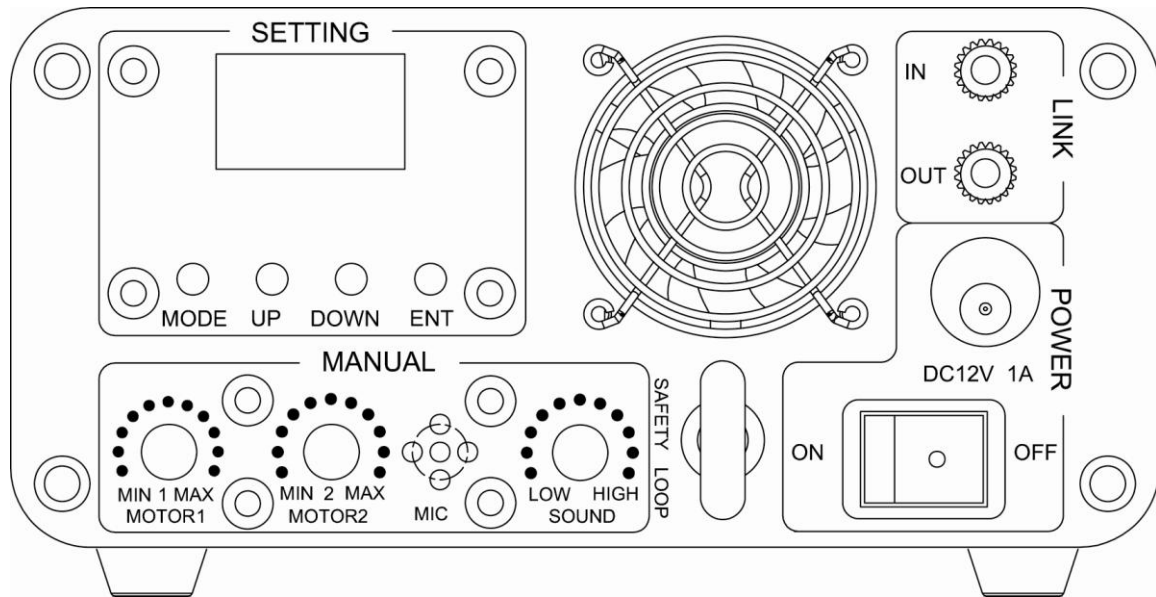
THIS LASER PRODUCT COMPLIES WITH EN/IEC 60825-1 Ed 2, 2007-03, AND US FDA/CDRH FLPPS VIA THE TERMS OF LASER NOTICE NO. 50 DATED JUNE 24, 2007. THIS LASER DEVICE IS CLASSIFIED 3R. (CLASS 3R IS THE INTERNATIONAL EQUIVALENT OF US CLASS IIIA). NO MAINTENANCE IS REQUIRED TO KEEP THIS PRODUCT IN COMPLIANCE WITH LASER PERFORMANCE STANDARDS.

# 2. INTRODUCTION

## Features

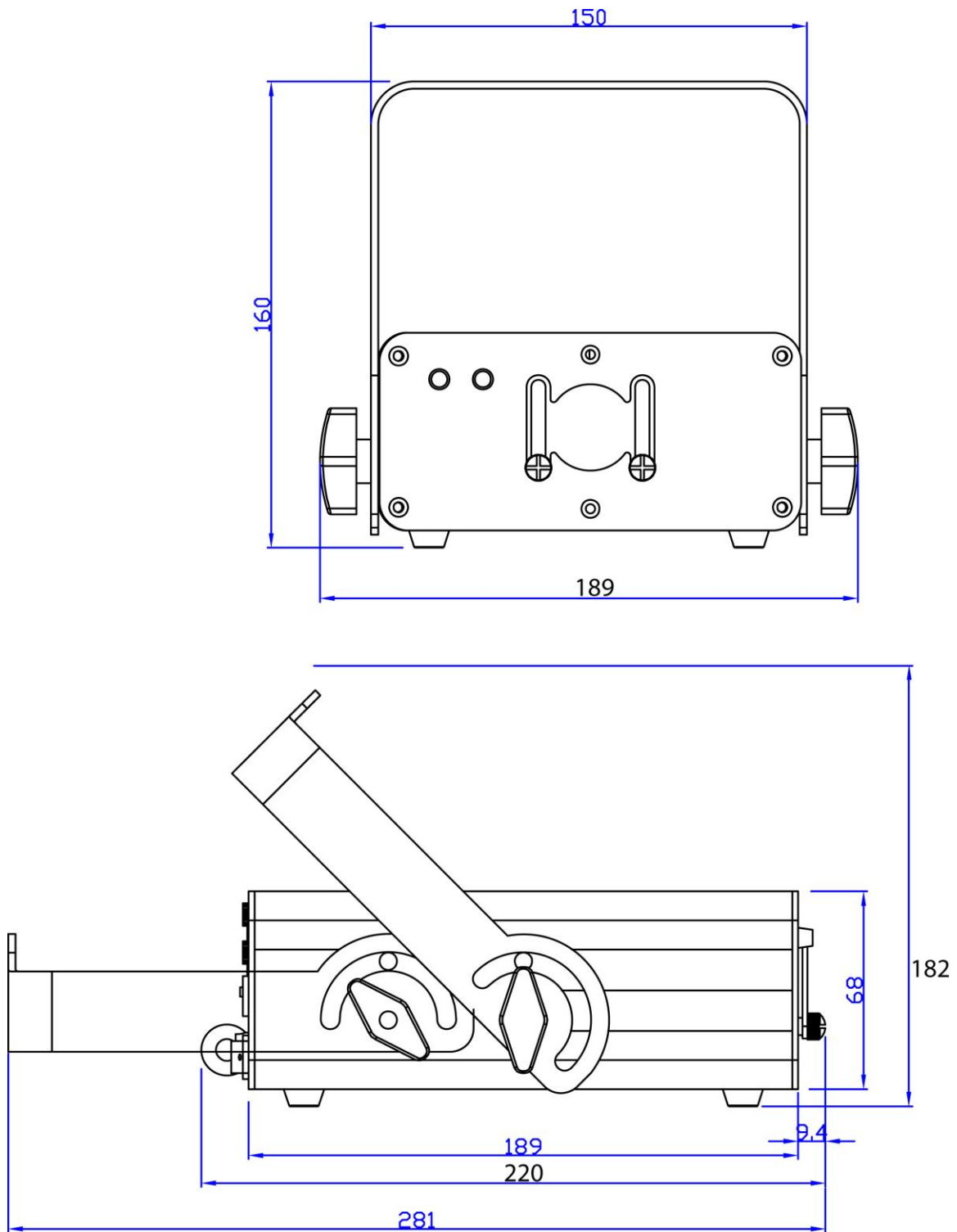
- Operating modes: automatic, sound activation, master/slave, manual
- Creates a unique star field effect with many patterns and hundreds of beams
- Pattern and speed knobs for automatic mode
- Built-in automatic programs via master/slave
- Built-in sound activated programs via master/slave
- Safety cover protects laser during transport
- Moveable bracket to allow different mounting positions
- Complies with FDA / CDRH standards for ClassIIIIR

## Product Overview





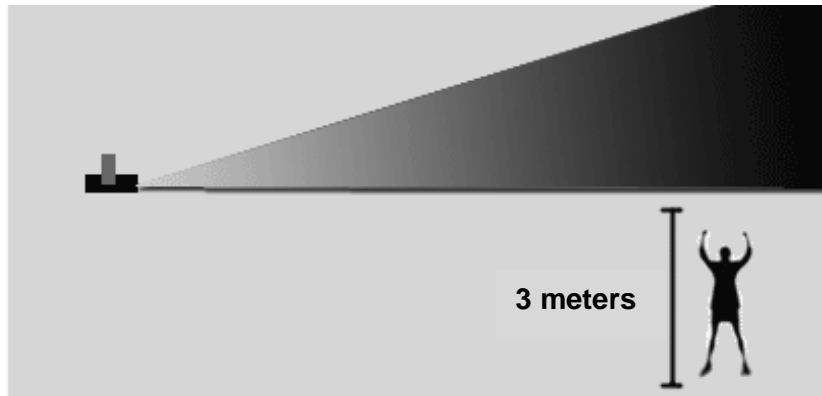
## PRODUCT DIMENSIONS



# PROPER USAGE

This fixture has been designed to be hung. It is recommended for safety purposes, your lighting effects are properly mounted using a suitable hanging clamp and safety cable. Items appropriate for safe and effective mounting are easily sourced from your lighting vendor.

International laser safety regulations require that lasers must be operated in the fashion illustrated below, with a minimum of 3 meters (9.8 ft) of vertical separation between the floor and the lowest laser light vertically. Additionally, 2.5 meters of horizontal separation is required between laser light and audience or other public spaces.



**CAUTION: Use of controls, adjustments, or performance of procedures other than what is specified herein may result in hazardous radiation exposure**



**CAUTION: Use of controls, adjustments, or performance of procedures other than what is specified herein may result in hazardous radiation exposure**



# 3. SETUP

## Mounting

### ORIENTATION

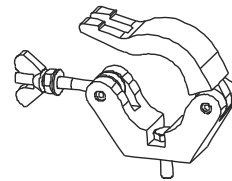
This fixture may be mounted in any safe position, provided there is adequate room for ventilation.

### RIGGING

It is important never to obstruct the fan or vents pathway. Mount the fixture using a suitable "C" or "O" type clamp. Adjust the angle of the fixture by loosening both knobs and tilting the fixture. After finding the desired position, retighten both knobs.

- When selecting installation location, take into consideration access and routine maintenance.
- Safety cables must always be used.
- Never mount in places where the fixture will be exposed to rain, high humidity, extreme temperature changes or restricted ventilation.

*Hanging Clamp*



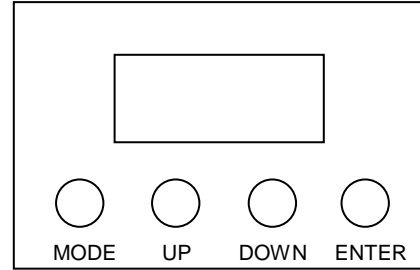
Note!  
Clamp is sold separately.

# 4. OPERATING INSTRUCTIONS

## Navigating the Control Panel

Access control panel functions using the four panel buttons located directly underneath the LCD Display.

Button	Function
<MODE>	Used to access the menu or to return to a previous menu option
<UP>	Scrolls through menu options in ascending order
<DOWN>	Scrolls through menu options in descending order
<ENTER>	Used to select and store the current menu or option within a menu



The Control Panel LED Display shows the menu items you select from the menu map on page #. When a menu function is selected, the display will show immediately the first available option for the selected menu function. To select a menu item, press <ENTER>.

Use the <UP> and <DOWN> buttons to navigate the menu map and menu options. Press the <ENTER> button to access the menu function currently displayed or to enable a menu option. To return to the previous option or menu without changing the value, press the <MODE> button.

## Menu Functions

MAIN FUNCTION	SELECTION	DESCRIPTION
Auto modes	000 - 099	<ul style="list-style-type: none"> <li>Use the &lt;UP&gt; button to change the strobe speed (first digit).</li> <li>Use the &lt;DOWN&gt; button to change the rotation direction and speed (second digit).</li> <li>All programs can further be altered and customized by rotating the 2 motor knobs below the display.</li> <li>These will not work in master/slave operation.</li> </ul>
	00 - 09	<ul style="list-style-type: none"> <li>Select any of these automatic programs to constantly change effects, patterns, speeds, etc.</li> <li>These programs do not have manual adjustment and will not work with the motor knobs below the display.</li> <li>These programs will work in master/slave operation.</li> </ul>
	000 - 549	<ul style="list-style-type: none"> <li>Use the &lt;UP&gt; button to change the strobe speed and patterns (first &amp; second digit).</li> <li>Use the &lt;DOWN&gt; button to change the rotation direction and speed (third digit).</li> <li>Additional auto programs (alternating in master/slave operation)</li> </ul>
Sound	SoU	<ul style="list-style-type: none"> <li>Laser responds to low frequencies picked up by the internal microphone.</li> <li>Use the sound knob to adjust the sensitivity of the microphone.</li> </ul>
Slave	SLR	<ul style="list-style-type: none"> <li>Sets the fixture into slave mode.</li> </ul>

## General Troubleshooting

Symptom	Solution(s)	Applies to			
		Lights	Foggers & Snow	Controllers	Dimmers & Chaser
Auto shut off	Check fan thermal switch reset	✓			
Breaker/Fuse keeps blowing	Check total load placed on device				✓
Chase is too slow	Check users manual for speed adjustment	✓		✓	✓
Device has no power	Check for power on Mains. Check device's fuse. (internal and/or external)	✓		✓	✓
Fixture is on but there is no movement to the audio	Make sure you have the correct audio mode on the control switches. If audio provided via 1/4" jack, make sure a live audio signal exists Adjust sound sensitivity knob	✓		✓	✓
Light will not come on after power failure	Some discharge lamps require a cooling off period before the electronics in the fixture can kick start it again, wait 5 to 10 minutes before powering up	✓			
Loss of signal	Use only DMX cables Install terminator Note: Keep DMX cables separated from power cables or black lights.	✓	✓	✓	✓
No flash	Re-install bulb, may have shifted in shipping	✓			
No laser output	Bounce mirror motor may have shifted during shipping, readjust	✓			

**If you still have a problem after trying the above solutions, please contact CHAUVET Technical Support at the location on the next page.**

## Technical Support

Address: Service Dept.  
3000 N 29th Ct, Hollywood, FL 33020 (U.S.A.)  
Support (Email): tech@chauvetlighting.com  
Telephone: (954) 929-1115 - (Press 4)  
Fax: (954) 929-5560 - (Attention: Service)  
Website: <http://www.chauvetlighting.com>

# 5. APPENDIX

## Returns Procedure

Returned merchandise must be sent prepaid and in the original packing, call tags will not be issued. Package must be clearly labeled with a Return Merchandise Authorization Number (RMA #). Products returned without an RMA # will be refused. Call CHAUVET and request RMA # prior to shipping the fixture. Be prepared to provide the model number, serial number and a brief description of the cause for the return. Be sure to properly pack fixture, any shipping damage resulting from inadequate packaging is the customer's responsibility. CHAUVET reserves the right to use its own discretion to repair or replace product(s). As a suggestion, proper UPS packing or double-boxing is always a safe method to use.

**Note:** If you are given an RMA #, please include the following information on a piece of paper inside the box:

- 1) Your name
- 2) Your address
- 3) Your phone number
- 4) The RMA #
- 5) A brief description of the symptoms

## Claims

Damage incurred in shipping is the responsibility of the shipper; therefore the damage must be reported to the carrier upon receipt of merchandise. It is the customer's responsibility to notify and submit claims with the shipper in the event that a fixture is damaged due to shipping. Any other claim for items such as missing component/part, damage not related to shipping, and concealed damage, must be made within seven (7) days of receiving merchandise.

# Technical Specifications

## WEIGHT & DIMENSIONS

Length ..... 8.6 in (220 mm)  
Width ..... 7.4 in (189 mm)  
Height ..... 7.2 in (182 mm)  
Weight ..... 3.1 lbs (1.4 kg)

## POWER

12V DC 2A adapter (included) ..... 100-240VAC 50/60Hz input (to adapter)  
Fuse ..... 1.5A 250V slow-blow  
Power Consumption ..... 11W (0.1A) max @ 120V  
Inrush Power ..... 0.2A @ 120V  
Power Output ..... 75 units max @ 120V

## LASER

Green diode ..... 532 nm 30mW  
Laser Type ..... DPSS  
Cooling ..... Fan Cooled

## RANGE

Coverage Angle ..... 100°

## THERMAL

Maximum ambient temperature ..... 104°F (40°C)

## MASTER/SLAVE LINKING

Cable type ..... male-to-male 1/8" (3.5mm) TRS cable

## ORDERING INFORMATION

Scorpion™ Storm MG ..... SCORPIONSTORMMG

## WARRANTY INFORMATION

Warranty ..... 1-year limited warranty