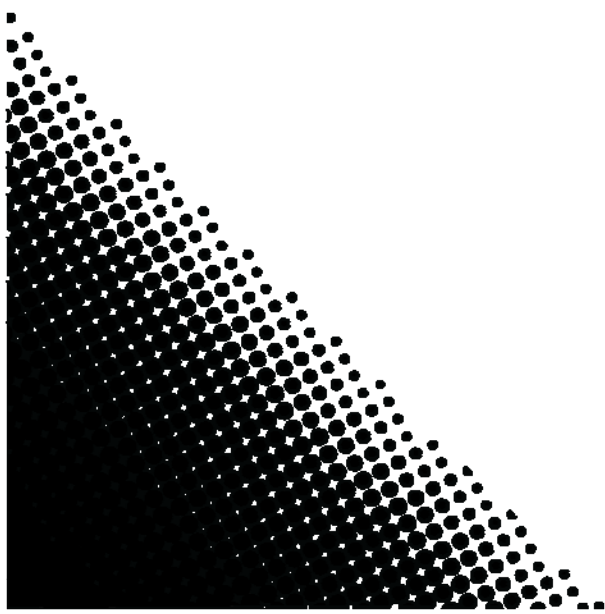
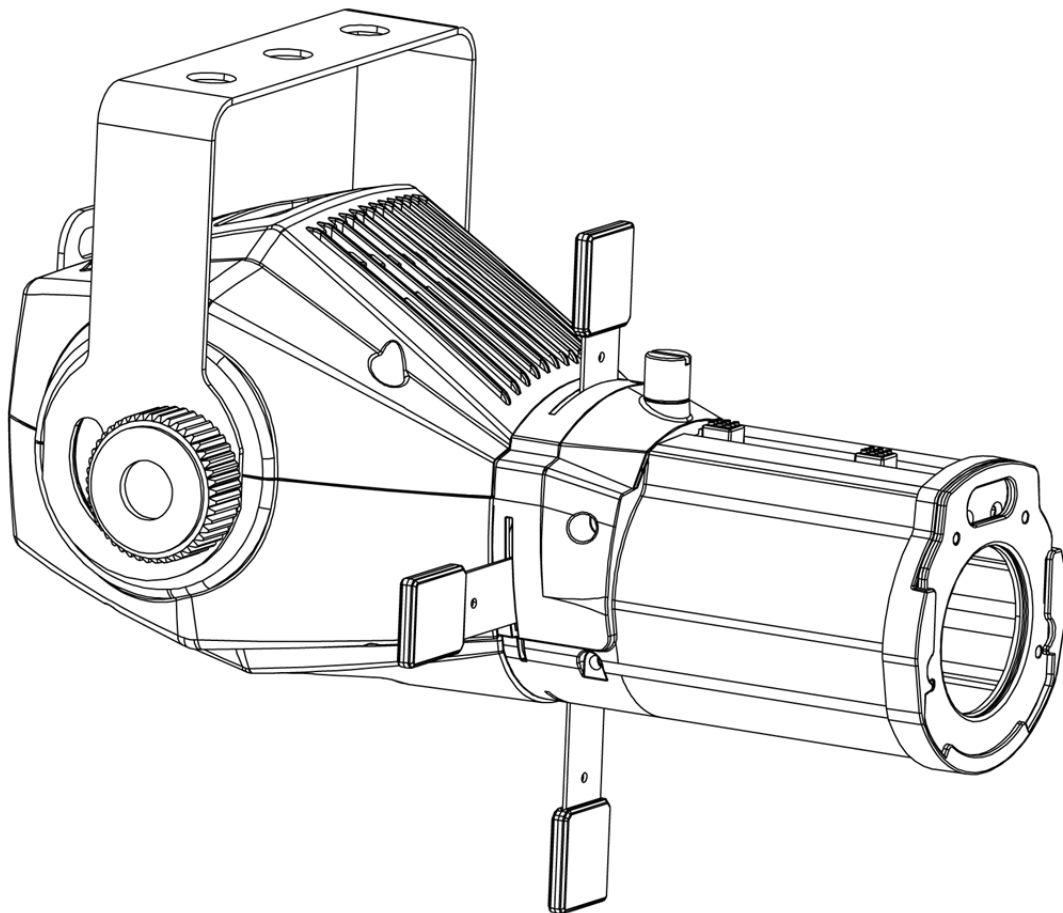


LFS-5

User Manual



CHAUVET[®]

Value · Innovation · Performance

It's Green Thinking

TABLE OF CONTENTS

1. Before you Begin	3
What is Included.....	3
Unpacking Instructions.....	3
<i>Claims</i>	3
Text Conventions	3
Icons.....	3
Document Information.....	3
Product at a Glance	4
Safety Notes.....	4
2. Introduction	5
Product Overview.....	5
Product Dimensions	6
3. Setup	7
AC Power	7
<i>Fuse Replacement</i>	7
<i>Power Linking</i>	8
Mounting	9
<i>Orientation</i>	9
<i>Rigging</i>	9
4. Operation	10
Power.....	10
Framing Shutters.....	10
Focus and Zoom	10
Gobos	10
Color Gels	10
5. Technical Information.....	11
Product Maintenance	11
General Troubleshooting	12
Contact Procedure	13
CHAUVET® Contact Information.....	13
Returning Products to CHAUVET®	13
6. Technical Specifications	14

1. BEFORE YOU BEGIN

What is Included

- 1 x LFS-5
- 1 x Power Cord
- 4 x Metal Gobos
- 1 x Warranty Card
- 1 x Quick Reference Guide

Unpacking Instructions

Immediately upon receipt, carefully unpack this product and check the container to make sure you have received all the parts indicated above in good condition.

Claims




If the container or the material inside the container (this product and any other accessory included) appears damaged from shipping, or shows signs of mishandling, notify the carrier immediately, not CHAUVET®, upon receipt of the damaged merchandise. Failure to do so in a timely manner may invalidate your claim with the carrier. In addition, retain the container and all the packing material for inspection.

For other issues such as missing components or parts, damage not related to shipping, or concealed damage, file a claim with CHAUVET® within seven (7) days of receiving the merchandise.

Text Conventions

Convention	Meaning
1~512	A range of values
50/60	A set of values of which only one can be chosen
Settings	A menu option not to be modified
Menu > Settings	A sequence of menu options to be followed
<ENTER>	A key to be pressed on the product's control panel
ON	A value to be entered or selected

Icons

Icon	Meaning
	This paragraph contains critical installation, configuration, or operation information. Failure to comply with this information may render the product partially or completely inoperative, cause damage to the product, or cause harm to the user.
	This paragraph contains important installation or configuration information. Failure to comply with this information may prevent the product from functioning correctly.
	This paragraph reminds you of useful, although not critical, information.

Document Information

The information and specifications contained in this document are subject to change without notice. CHAUVET® assumes no responsibility or liability for any errors or omissions that may appear in this manual. CHAUVET® reserves the right to update the existing document or to create a new document to correct any errors or omissions.

You can download the latest version of this document from www.chauvetlighting.com.

© Copyright 2011 CHAUVET®. All rights reserved

Electronically published by CHAUVET® in the United States of America

Author	Editor	Specialist	Manager
A. Diaz	B. Pillow	R. Jones	A. Reiss

Product at a Glance

Use on Dimmer	⊘	Auto Programs	⊘
Outdoor Use	⊘	Auto-ranging Power Supply	✓
Sound Activated	⊘	Replaceable Fuse	✓
DMX	⊘	User Serviceable	⊘
Master/Slave	⊘	Duty Cycle	⊘

Safety Notes

Please read the following Safety Notes carefully before working with this product. They include important safety information about its installation, usage, and maintenance.



- Always connect this product to a grounded circuit to avoid the risk of electrocution.
- Always disconnect this product from the power source before cleaning it or replacing the fuse.
- Avoid direct eye exposure to the light source while the product is on.
- Make sure the power cord is not crimped or damaged.
- Never disconnect this product from power cord by pulling or tugging on the cord.
- If mounting this product overhead, always secure it to a fastening device using a safety cable.
- Make sure there are no flammable materials close to the unit while operating.
- Do not touch this product's housing when operating because it may be very hot.



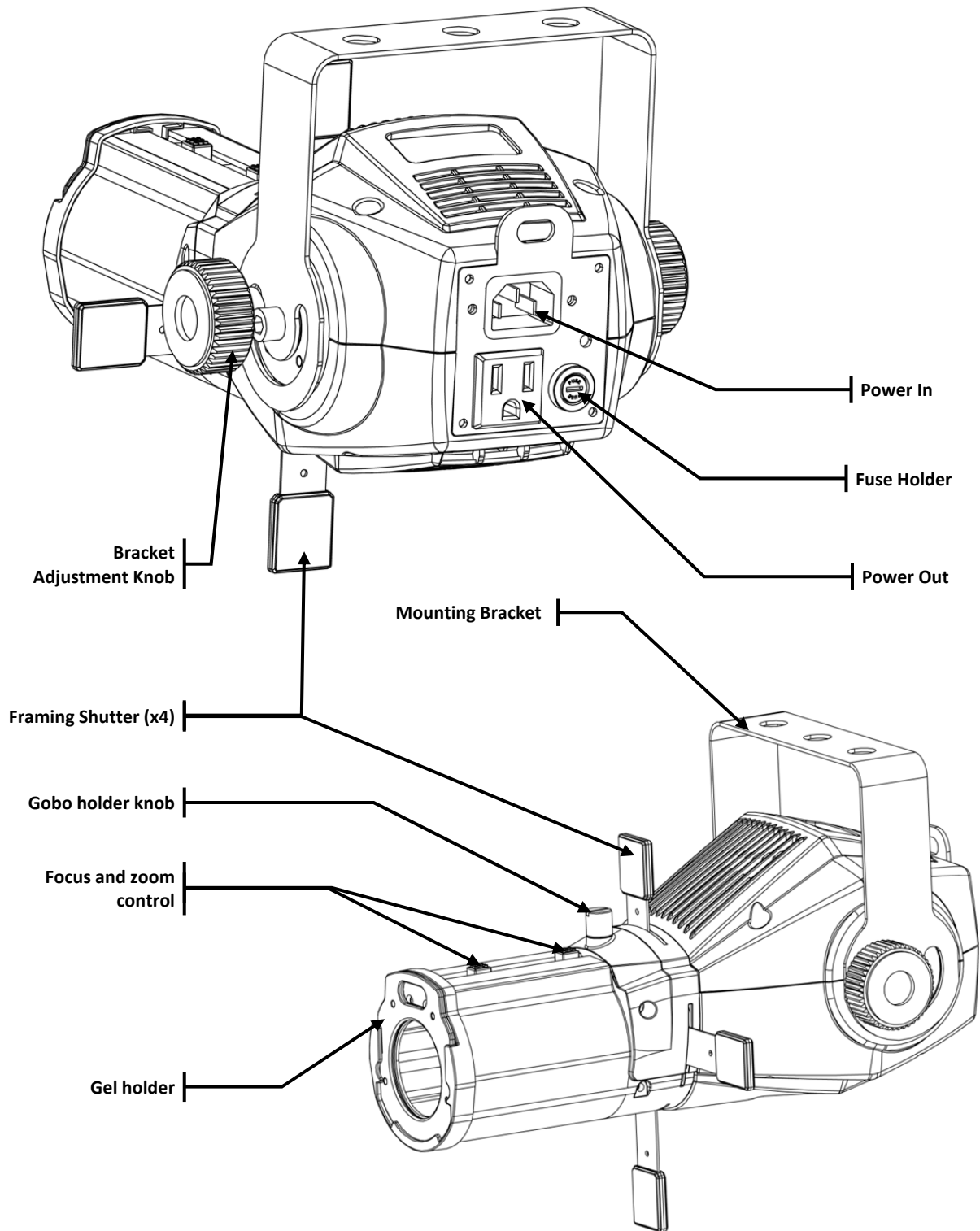
- Always make sure that the voltage of the outlet to which you are connecting this product is within the range stated on the decal or rear panel of the product.
- This product is for indoor use only! (IP20) To prevent risk of fire or shock, do not expose this product to rain or moisture.
- Always install this product in a location with adequate ventilation, at least 20 in (50 cm) from adjacent surfaces.
- Be sure that no ventilation slots on the unit's housing are blocked.
- Never connect this product to a dimmer.
- Make sure to replace the fuse with another of the same type and rating.
- Never carry this product from the power cord or any moving part. Always use the hanging/mounting bracket or the handles.
- The maximum ambient temperature (Ta) is 104° F (40° C). Do not operate this product at higher temperatures.
- In the event of a serious operating problem, stop using the unit immediately.
- Never try to repair this product. Repairs carried out by unskilled people can lead to damage or malfunction. Please contact the nearest authorized technical assistance center.



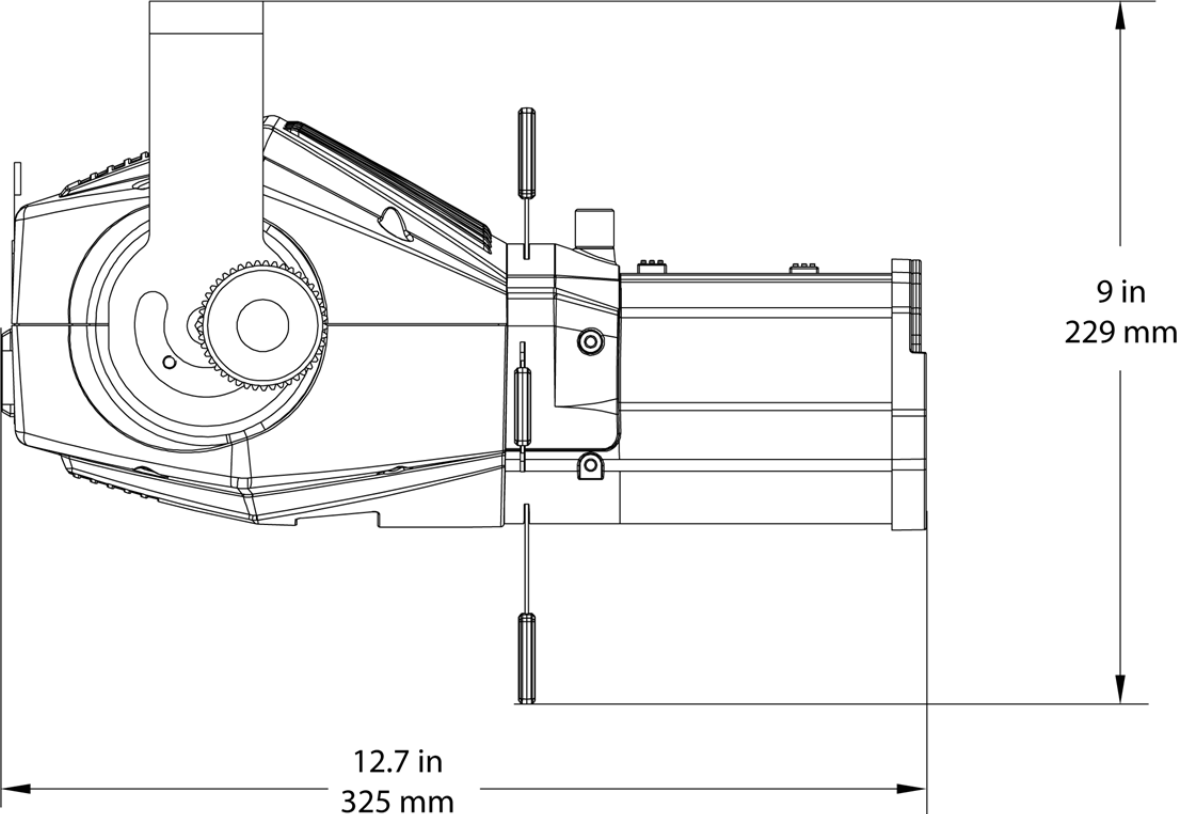
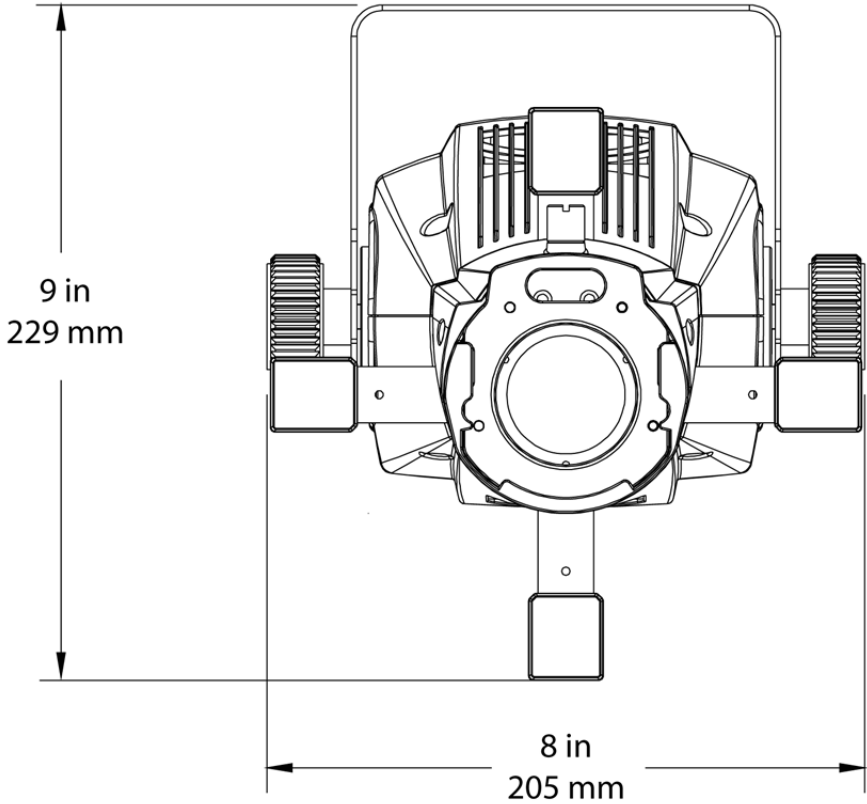
- Keep this User Manual for future consultation. If you sell this product to another user, be sure that they also receive this document.

2. INTRODUCTION

Product Overview



Product Dimensions



3. SETUP

AC Power

This product has an auto-ranging power supply and it can work with an input voltage range of 100~240 VAC, 50/60 Hz.

To determine the power requirements for this product (circuit breaker, power outlet, and wiring), use the current value listed on the label affixed to the product's back panel, or refer to the product's specifications chart. The listed current rating indicates the product's average current draw under normal conditions.



Always connect this product to a protected circuit (circuit breaker or fuse), making sure that it has an appropriate electrical ground to avoid the risk of electrocution or fire.



Never connect this product to a rheostat (variable resistor) or dimmer circuit, even if the rheostat or dimmer channel serves only as a 0 to 100% switch.

Fuse Replacement

Follow the instructions below to change the fuse, if necessary.



Disconnect this product from the power outlet before replacing the fuse.

- 1) Wedge the tip of a flat head screwdriver into the slot of the fuse holder and pry out of its housing.
- 2) Remove the blown fuse from its holder and replace with a fuse of the exact same type and rating.
- 3) Insert the fuse holder back into place, and reconnect power.



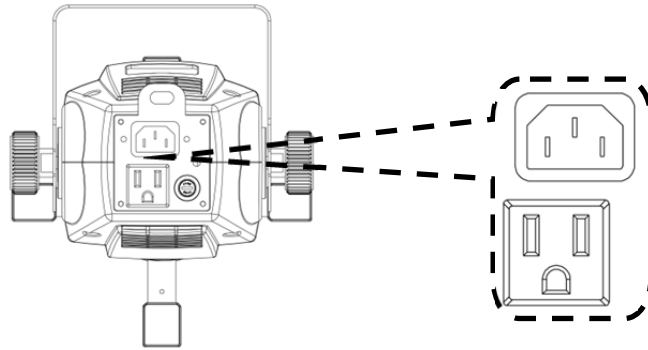
Although the safety cap does have room for a spare fuse, this product ships with no spare fuse.



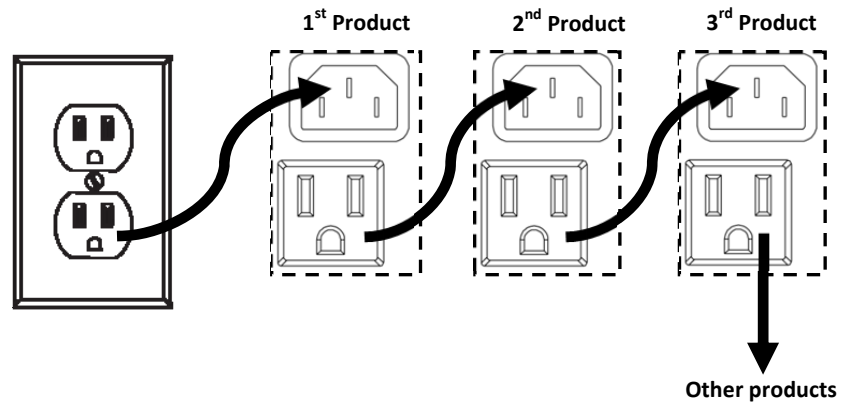
Always replace a blown fuse of the same type and rating.

Power Linking

This product provides power linking via the Edison outlet located in the back of the unit. Please see the diagram below for further explanation.



Power Linking Diagram



You can power link up to 23 LFS-5 units on 120 VAC or up to 45 LFS-5 units on 230 VAC.



The power linking diagram shown above corresponds to the North American version of this product **ONLY!** If using this product in other markets, you must consult with the local CHAUVET® distributor as power linking connectors and requirements may differ in your country or region.

Mounting

Before mounting this product, read and follow the safety recommendations indicated in the *Safety Notes* section (page 2 of this manual).

Orientation

The LFS-5 may be mounted in any position; however, make sure adequate ventilation is provided around the product.

Rigging

Before deciding on a location for this product, always make sure that it will be easy to access the unit for maintenance purposes.

Make sure that the structure onto which you are mounting this product can support its weight. Please see the *Technical Specifications* section of this manual for weight information.

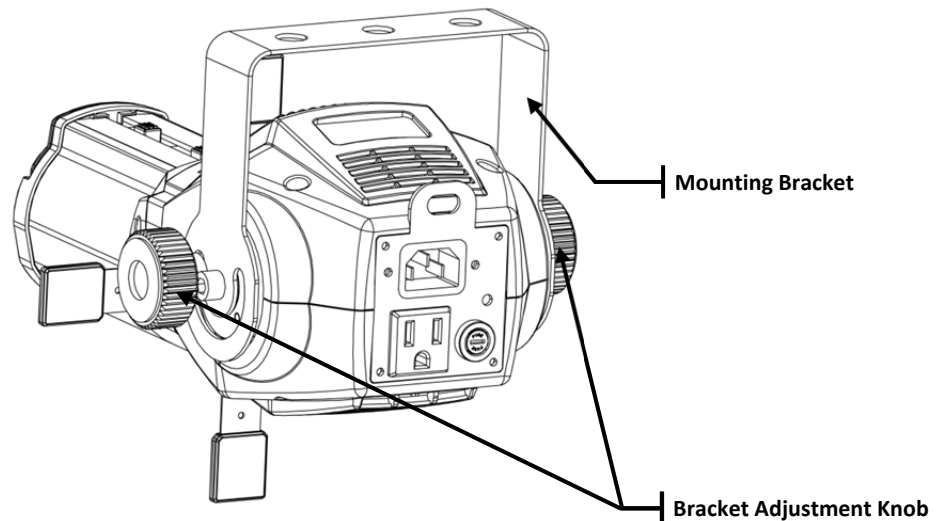
When mounting this product overhead, always use a safety cable. Mount the product securely to a rigging point, whether an elevated platform or a truss.

When rigging this product onto a truss, you should use a mounting clamp of appropriate weight capacity. The bracket has a 13 mm hole, which is appropriate for this purpose.

When power linking multiple products, you must always consider the length of the power linking cable and mount the products close enough for the cable to reach.

The bracket adjustment knobs allow for directional adjustment when aiming the product to the desired angle. Only loosen or tighten the bracket knobs using your bare hands. Using tools could damage the knobs.

Mounting Diagram



4. OPERATION

Power To turn on your LFS-5, simply plug in the including power cord to the back of the product and plug the opposite end to the wall outlet. To turn it off, unplug the power from the wall outlet.

Framing Shutters To control the shape of the beam from the LFS-5, use the framing shutters on all sides of the product. The left framing shutter controls the right side of the light, the top framing shutter controls the bottom of the light and vice versa. Push the framing shutters in and out depending on the size and shape of the beam that you desire.

Focus and Zoom To control focus and zoom, move the internal lenses at the front of the unit until you get the desired focal point and zoom length.

Gobos To install a gobo into the LFS-5, unscrew the knob as shown in the Product Description (page 5). Place the gobo into the holder and screw the gobo holder back into place. Your chosen gobo will now display. To change the shape of the gobo, simply use the framing shutters to select the size and shape of the gobo that you desire.

Color Gels To use a color gel (not included), simply place the gel in the front of the product, as shown in the Product Description (page 5). Your desired color will now show.

5. TECHNICAL INFORMATION

Product Maintenance

Dust build up reduces light output performance and can cause overheating. This can lead to reduction of the light source's life. To maintain optimum performance and minimize wear, you should clean your lighting products at least twice a month. However, be aware that usage and environmental conditions could be contributing factors to increase the cleaning frequency.

To clean this product, follow the instructions below:

- Unplug the product from power.
- Wait until the product is cold.
- Use a vacuum (or dry compressed air) and a soft brush to remove dust collected on the external surface/vents and reachable internal components.
- Clean all glass/transparent surfaces with a mild soap solution, ammonia-free glass cleaner, or isopropyl alcohol.
- Apply the solution directly to a soft, lint free cotton cloth or a lens cleaning tissue.
- Softly drag any dirt or grime to the outside of the glass/transparent surface.
- Gently polish the glass/transparent surfaces until they are free of haze and lint.



Always dry the glass/transparent surfaces carefully after cleaning them.

General Troubleshooting

Symptom	Possible Cause	Possible Action
Circuit breaker or fuse keeps blowing	<ul style="list-style-type: none">Excessive load on the circuit	<ul style="list-style-type: none">Make sure that the total load does not exceed 80% of the breaker or fuse nominal current
	<ul style="list-style-type: none">Short circuit along the power lines	<ul style="list-style-type: none">Check the power lines and power cords
Product does not power up	<ul style="list-style-type: none">No energy on power outlet	<ul style="list-style-type: none">Check power outletChange to another outlet
	<ul style="list-style-type: none">Loose or damaged power cord	<ul style="list-style-type: none">Check the power cord
	<ul style="list-style-type: none">Blown fuse	<ul style="list-style-type: none">Replace blown fuse with a good one of the same type and rating
	<ul style="list-style-type: none">Internal problem	<ul style="list-style-type: none">Send product for repair



If you still experience problems after trying the above solutions, contact CHAUVET® Technical Support.

Contact Procedure

In case you need to return a product or request support, follow the procedure below:

- If you live in the US, contact CHAUVET® World Headquarters (see below).
- If you live in the UK or Ireland, contact CHAUVET® Europe Ltd.(see below).
- If you live in any other country, **DO NOT** contact CHAUVET®. Instead, contact your distributor of record. Refer to our Web site for contact details of distributors outside the US, United Kingdom, or Ireland.

CHAUVET® Contact Information

World Headquarters

CHAUVET®

General Information

Address: 5200 NW 108th Avenue
Sunrise, FL 33351
Voice: (954) 929-1115
Fax: (954) 929-5560
Toll free: (800) 762-1084

Technical Support

Voice: (954) 929-1115 (Press 4)
Fax: (954) 756-8015
Email: tech@chauvetlighting.com

World Wide Web

www.chauvetlighting.com

United Kingdom & Ireland

CHAUVET® Europe Ltd.

General Information

Address: Unit 1C
Brookhill Road Industrial Estate
Pinxton, Nottingham, UK
NG16 6NT
Voice: +44 (0)1773 511115
Fax: +44 (0)1773 511110

Technical Support

Email: uktech@chauvetlighting.com

World Wide Web

www.chauvetlighting.co.uk



If you live outside the US, United Kingdom, or Ireland, contact your distributor of record and follow their instructions on how to return CHAUVET® products to them. Visit our Web site for contact details.

Returning Products to CHAUVET®

Call the corresponding CHAUVET® Tech Support office and request a Return Merchandise Authorization (RMA) number before shipping the product. Be prepared to provide the model number, serial number, and a brief description of the cause for the return.

You must send the merchandise prepaid, in its original box, and with its original packing and accessories. CHAUVET® will not issue call tags.

Clearly label the package with the RMA number. CHAUVET® will refuse any product returned without an RMA number.



DO NOT write the RMA number directly on the box. Instead, write it on a properly affixed label.

Before sending the product, clearly write the following information on a piece of paper and place it inside the box:

- Your name
- Your address
- Your phone number
- The RMA number
- A brief description of the problem

Be sure to pack the product properly. Any shipping damage resulting from inadequate packaging will be your responsibility. As a suggestion, proper UPS packing or double-boxing is always a safe method to use.



CHAUVET® reserves the right to use its own discretion to repair or replace returned product(s).

6. TECHNICAL SPECIFICATIONS

Dimensions and Weight	Length	Width	Height	Weight
	12.7in (325mm)	8in (205mm)	9in (229mm)	3.2lbs (1.5kg)

Note: Dimensions in inches rounded to the nearest decimal digit.

Power	Power Supply Type	Range	Voltage Selection
	Switching (internal)	100~240V, 50/60Hz	Auto-ranging

	Parameter	120V, 60Hz	230V, 50Hz
	Consumption	52W	56W
	Operating	0.4A	0.2A
	Power linking current (units)	8A (23 units)	8A (45 units)
	Fuse	F2A, 250V	F2A, 250V

	Power I/O	US/Worldwide	UK/Europe
	Power input connector	IEC	IEC
	Power output connector	Edison	IEC
	Power Cord plug	Edison (US)	Local plug

Light Source	Type	Power	Lifespan
	LED	23W (15.3A)	50,000 hours

Photo Optic	Parameter	
	Illuminance @ 16°	1990 lx @ 2m
	Illuminance @ 24°	967 lx @ 2m
	Zoom angle	16-24°
	Gobo size	25.4 mm outside 19 mm image 1 mm max thickness

Thermal	Maximum External Temp.	Cooling System
	104°F (40°C)	Convection

Ordering	Product Name	Item Code	Item Number
	LFS-5	08050400	LFS-5