

ROCKTRON

TECHNOLOGY FOR GUITARISTS

BANSHEE 2 AMPLIFIED TALKBOX

USER'S MANUAL

! Note !

Read this manual thoroughly before operating this unit. Failure to heed any warnings contained herein could potentially result in damage to your equipment.



May be covered by one or more of the following: U.S. Patents #4538297, 4647876, 4696044, 4745309, 4881047, 4893099, 5124657, 5263091, 5268527, 5319713, 5333201, 5402498 and 5493617.
Other patents pending. Foreign patents pending.



Your Banshee 2™ pedal has been tested and complies with the following Standards and Directives as set forth by the European Union:

Council Directive(s): 89/336/EEC Electromagnetic Compatibility

Standard(s): EN55013, EN50082-1

This means that this product has been designed to meet stringent guidelines on how much RF energy it can emit, and that it should be immune from other sources of interference when properly used. Improper use of this equipment could result in increased RF emissions, which may or may not interfere with other electronic products.

To insure against this possibility, always use good shielded cables for all audio input and output connections. This will help insure compliance with the Directive(s).

For more information about other Rocktron products, please see your local dealer or visit us on the web at www.rocktron.com.

Copyright © 2007 GHS Corporation
All Rights Reserved.

PRECAUTIONS

NOTE: IT IS VERY IMPORTANT THAT YOU READ THIS SECTION TO PROVIDE YEARS OF TROUBLE FREE USE. THIS UNIT REQUIRES CAREFUL HANDLING.

- All warnings on this equipment and in the operating instructions should be adhered to and all operating instructions should be followed.
- Do not use this equipment near water. Care should be taken so that objects do not fall and liquids are not spilled into the unit through any openings.
- The power cord/adaptor should be unplugged from the outlet when left unused for a long period of time.
- Do not block any ventilation openings (if applicable). Install in accordance with the manufacturer's instructions.
- Do not install near any heat sources such as radiators, heat registers, stoves or other apparatus (including amplifiers) that produce heat.
- Only used attachments/accessories specified by the manufacturer.
- Do not use this product with any case, stand, tripod, bracket or table that is not specified by the manufacturer. Insure that the case, stand, tripod, bracket etc. is properly adjusted and setup (follow all instructions). Extra care and caution should be taken to avoid tip over and injury.
- Unplug this apparatus during lightning storms or when unused during long periods of time.

Refer all service to qualified service personnel. Servicing is required when the apparatus has been damaged in any way, such as power supply or plug is damaged, liquid has been spilled or objects have fallen into the apparatus or if the apparatus has been exposed to rain or moisture, does not operate normally or has been dropped.

DO NOT ATTEMPT TO SERVICE THIS EQUIPMENT. THIS EQUIPMENT SHOULD BE SERVICED BY QUALIFIED PERSONNEL ONLY. DO NOT MAKE ANY INTERNAL ADJUSTMENTS OR ADDITIONS TO THIS EQUIPMENT AT ANY TIME. DO NOT TAMPER WITH INTERNAL ELECTRONIC COMPONENTS AT ANY TIME. FAILURE TO FOLLOW THESE INSTRUCTIONS MAY VOID THE WARRANTY OF THIS EQUIPMENT, AS WELL AS CAUSING SHOCK HAZARD.

OPERATING TEMPERATURE

Do not expose this unit to excessive heat. This unit is designed to operate between 32° F and 104° F (0° C and 40° C). This unit may not function properly under extreme temperatures.

! WARNING !

The internal driver of the Banshee 2™ Talkbox is capable of producing extremely high sound pressure levels. Because of this, the vinyl talkbox tube supplied with the Banshee 2 should NEVER be placed near any person's ear. Failure to use caution and/or ear protection when using this product may result in permanent hearing impairment or hearing loss. The manufacturer is not responsible for any damage resulting from the use of this product.

Due to health issues, the vinyl tube supplied with the unit cannot be returned to the factory or dealer.

Introduction

Congratulations on your purchase of the Rocktron Banshee 2™ talkbox! The Banshee 2 is a self-contained talkbox effect containing its own preamp and power amplifier for driving the internal horn driver. Unlike other talkboxes, where the effect is connected between the amplifier and speaker, the Banshee 2, like the original Rocktron Banshee is connected between the guitar and amplifier, similar to standard pedal effects.

The Banshee 2 has been designed so that it will function as a traditional talkbox as well as some new and unique features.

TO AMP

The Banshee 2 features a switch that allows the Banshee 2 to either function as a traditional Talkbox or also send the signal to your amplifier simultaneously as the talkbox function is on. This will allow you to achieve all sorts of tonal possibilities and sounds. You can have your amp set, clean, distorted, crunch, with a lot of effects or no effects. When combined with the talkbox effect you will be able to create truly unique sounds.

EFX LOOP

The Banshee 2 also features a built in EFFECTS LOOP and a switch that will allow you to determine if you want that effect to go to your talkbox or to your amplifier. Try putting a chorus pedal in the effects loop and sent that signal to the talkbox. Try other effects such as delays, phasers, flangers, etc.....the possibilities are unlimited. You can also put your favorite distortion pedal in the effects loop and use the distortion to drive the talkbox effect.....very cool!

EXT SPEAKER

The Banshee 2 also features an external speaker jack, which allows access to the output of the amplifier while disengaging the internal driver. An external speaker (8W min.) can then be implemented for use as a practice amp, or a low power recording amp.

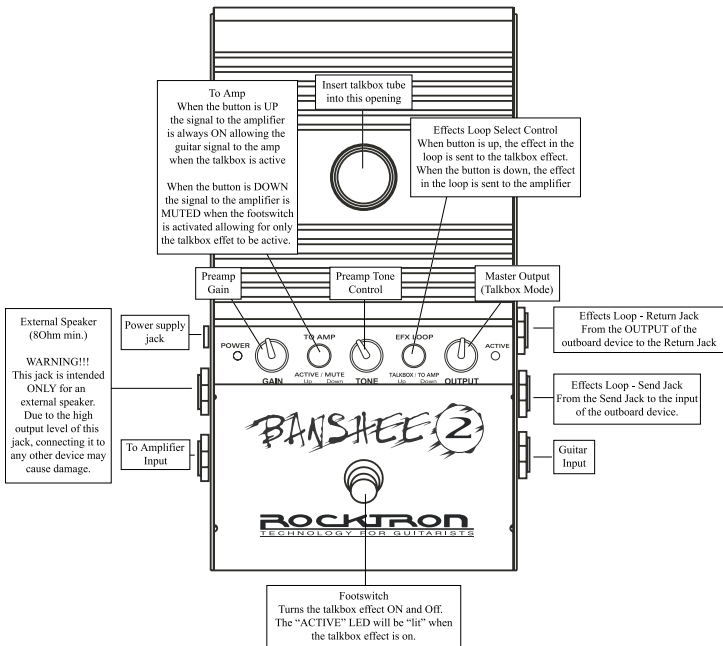
How it works:

A 6 foot, non-toxic vinyl tube is supplied with the Banshee 2 for the talkbox function. On one end of the tube is a 3/4" vinyl sleeve. This end is to be inserted into the opening on the top of the Banshee 2. This provides a snug fit for the talkbox tube. The talkbox effect is achieved by connecting one end of the tube at the internal driver through the opening at the top of the Banshee 2. When playing, the sound produced by the driver travels through the tube to the other end, which is held in the players mouth at the microphone. You then manipulate the talkbox sound through mouth movement.

Experiment with different settings and different set-ups, you are now on the cutting edge!

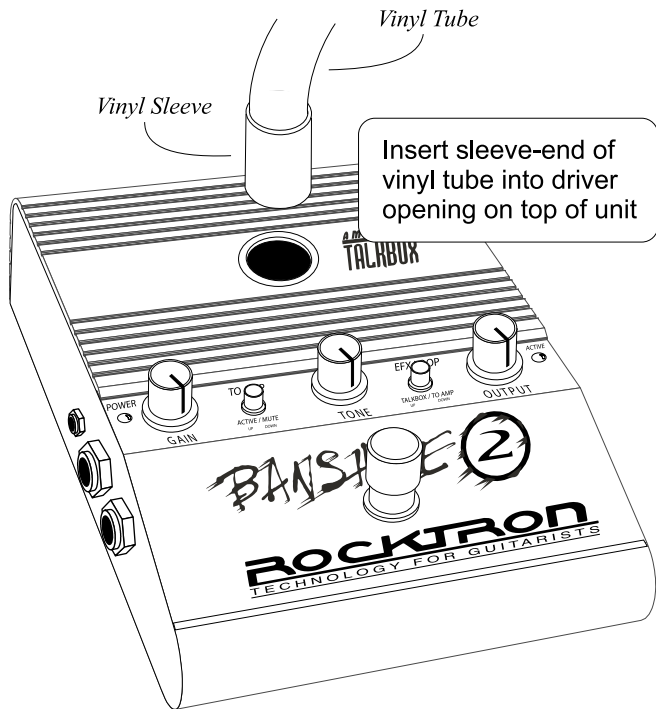
Enjoy!

Functions



Connections

Connecting the talkbox tube:

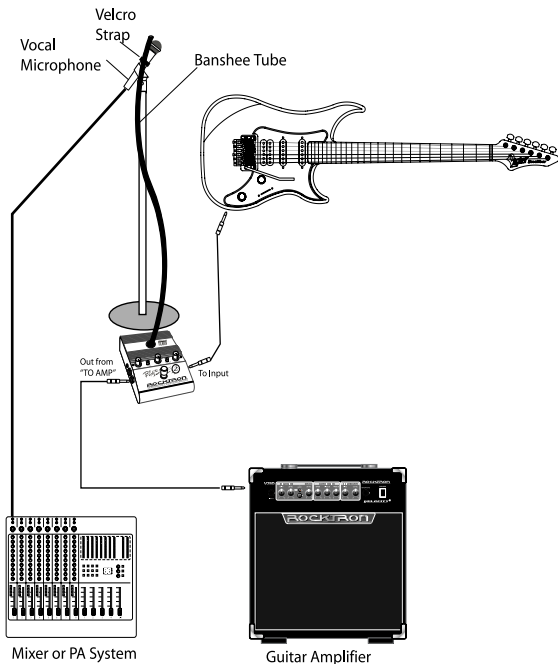


Standard Connection

Wrap tube around mic stand so that end of tube opening is just past the end of the mic. A Velcro strap is included with the Banshee 2 to secure the tube to the mic. Note: there are various ways to secure the tube to the mic - tape, elastic bands, etc.

Place mouth over tube and let the sound go into your mouth - this sound will be picked up by the microphone. How you move your mouth and lips will determine the sound going into the microphone - try different things!

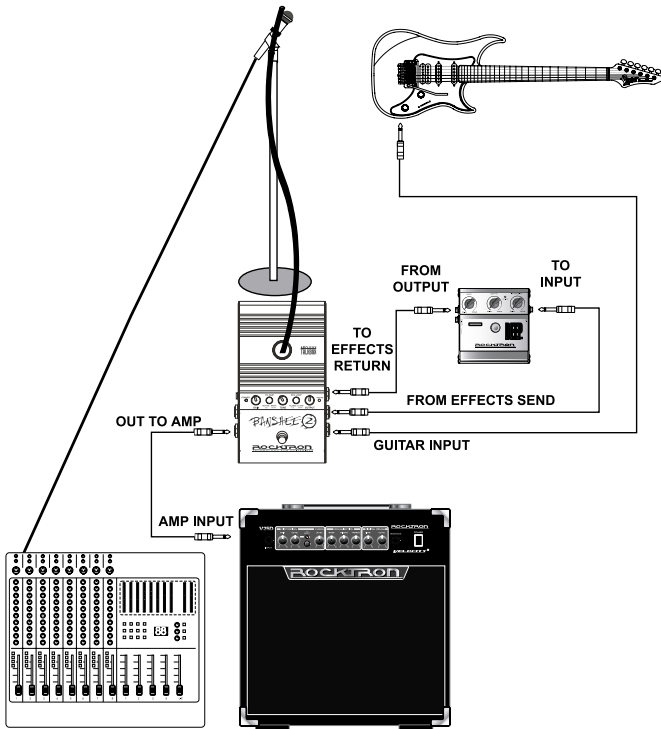
Warning - do NOT attach extension speaker out to an amplifier or PA system. This output is only meant to be connected to a speaker cabinet.



Connection when using the Effects loop:

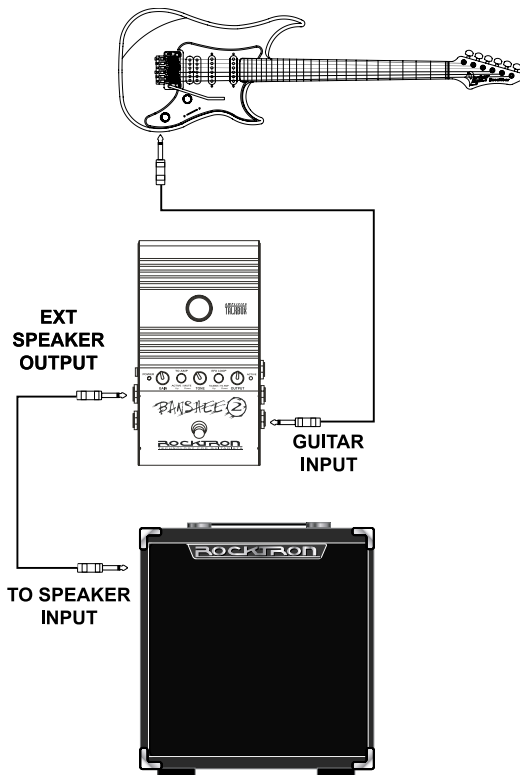
Follow the diagram below for connecting various pedals into the effects loop of the Banshee 2. Try different pedals, such as modulation pedals, like a Chorus or Flanger.

Warning - do NOT attach extension speaker out to an amplifier or PA system. This output is only meant to be connected to a speaker cabinet.



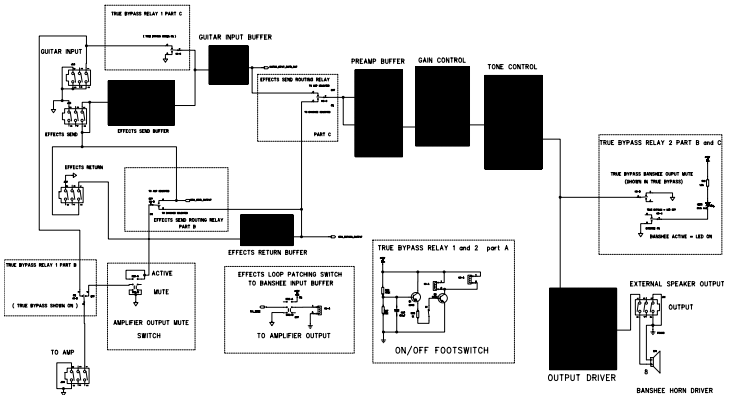
Using the Banshee 2 with an external speaker as a practice amp:.

Warning - do NOT attach extension speaker out to an amplifier or PA system.
This output is only meant to be connected to a speaker cabinet.



Block Diagram

BANSHEE 2 BLOCK DIAGRAM



Specifications

Maximum Input	+9.5dBu
Input Impedance	1M Ω
Current Consumption	1.003A @ 5 watts
Power Requirements	9VAC
Minimum Load on Output	8 Ω
Output Power	5W @ clipping (8 Ω load)

ROCKTRON
TECHNOLOGY FOR GUITARISTS

BANSHEE 

AMPLIFIED
TALKBOX

Rocktron -A Division of GHS Corporation

2813 Wilber Avenue
Battle Creek MI 49037
USA

Rocktron Phone: 1-(269)-968-3351
Email: info@rocktron.com
Website: www.rocktron.com