



ENTOUR ICE

user manual

©2019 ADJ PRODUCTS LLC all rights reserved. Information, specifications, diagrams, images, and instructions herein are subject to change without notice. ADJ logo and identifying product names and numbers herein are trademarks of ADJ PRODUCTS LLC. Copyright protection claimed includes all forms and matters of copyrightable materials and information now allowed by statutory or judicial law or hereinafter granted. Product names used in this document may be trademarks or registered trademarks of their respective companies and are hereby acknowledged. All non-ADJ brands and product names are trademarks or registered trademarks of their respective companies.

ADJ PRODUCTS LLC and all affiliated companies hereby disclaim any and all liabilities for property, equipment, building, and electrical damages, injuries to any persons, and direct or indirect economic loss associated with the use or reliance of any information contained within this document, and/or as a result of the improper, unsafe, insufficient and negligent assembly, installation, rigging, and operation of this product.

ADJ PRODUCTS LLC USA

6122 S. Eastern Ave. Los Angeles, CA 90040
323-582-2650 | Fax 323-532-2941 | www.adj.com | info@adj.com

ADJ SUPPLY Europe B.V

Junostraat 2 6468 EW Kerkrade, The Netherlands
+31 (0)45 546 85 00 | Fax +31 45 546 85 99 | www.adj.eu | info@americandj.eu

ADJ PRODUCTS GROUP Mexico

AV Santa Ana 30 Parque Industrial Lerma, Lerma, Mexico 52000
+52 (728) 282-7070 | ventas@adj.com

FCC STATEMENT

This device complies with Part 15 of the FCC Rules. Operation is subject to the following two conditions: (1) this device may not cause harmful interference, and (2) this device must accept any interference received, including interference that may cause undesired operation.

FCC RADIO FREQUENCY INTERFERENCE WARNINGS & INSTRUCTIONS

This product has been tested and found to comply with the limits as per Part 15 of the FCC Rules. These limits are designed to provide reasonable protection against harmful interference in a residential installation. This device uses and can radiate radio frequency energy and, if not installed and used in accordance with the included instructions, may cause harmful interference to radio communications. However, there is no guarantee that interference will not occur in a particular installation. If this device does cause harmful interference to radio or television reception, which can be determined by turning the device off and on, the user is encouraged to try to correct the interference by one or more of the following methods:

- Reorient or relocate the device.
- Increase the separation between the device and the receiver.
- Connect the device to an electrical outlet on a circuit different from which the radio receiver is connected.
- Consult the dealer or an experienced radio/TV technician for help.

Energy Saving Matters (EuP 2009/125/EC)

Saving electric energy is a key to help protecting the environment. Please turn off all electrical products when they are not in use. To avoid power consumption in idle mode, disconnect all electrical equipment from power when not in use. Thank you!

Document Version: An updated version of this document may be available online. Please check www.adj.com for the latest revision/update of this document before beginning installation and use.

Date	Document Version	Notes
2/19/19	1	Initial release.
3/29/19	1.1	Added fog conduction hose as an included accessory.

CONTENTS

General Information	4
Limited Warranty (USA Only)	5
Safety Guidelines	6
Overview	9
DMX Setup	10
Set Up Instructions	12
System Menu	13
Operation	14
DMX Channels / Values / Functions	15
Maintenance Guidelines and Cleaning	18
Troubleshooting and Frequently Asked Questions	21
Technical Specifications and Optional Accessories	22
Dimensions	23

GENERAL INFORMATION

INTRODUCTION

Please read and understand all instructions in this manual carefully and thoroughly before attempting to operate these products. These instructions contain important safety and use information.

This product is intended to be used by professionally trained personnel only and is not suitable for private use

UNPACKING

The products in this kit have been thoroughly tested and have been shipped in perfect operating condition. Carefully check the shipping carton for damage that may have occurred during shipping. If the carton appears to be damaged, carefully inspect each unit included for damage and be sure all accessories necessary to operate the units have arrived intact. In the event damage has been found or parts are missing, please contact our customer support team for further instructions. Please do not return this kit to your dealer without first contacting customer support at the number listed below. Please do not discard the shipping carton in the trash. Please recycle whenever possible.

WARRANTY RETURNS

All returned service items whether under warranty or not, must be freight pre-paid and accompany a return authorization (R.A.) number. The R.A. number must be clearly written on the outside of the return package. A brief description of the problem as well as the R.A. number must also be written down on a piece of paper and included in the shipping container. If the unit is under warranty, you must provide a copy of your proof of purchase invoice. Items returned without a R.A. number clearly marked on the outside of the package will be refused and returned at customer's expense. You may obtain a R.A. number by contacting customer support.

CUSTOMER SUPPORT

Contact ADJ Service for any product related service and support needs. Please visit forums.adj.com with questions, comments or suggestions.

ADJ SERVICE USA - Monday - Friday 8:00am to 4:30pm PST
800-322-6337 | Fax 323-832-2941 | support@adj.com

ADJ SERVICE EUROPE - Monday - Friday 08:30 to 17:00 CET
+31 45 546 85 60 | Fax +31 45 546 85 96 | support@adj.eu

REPLACEMENT PARTS please visit parts.adj.com

LIMITED WARRANTY (USA ONLY)

- A. ADJ Products, LLC hereby warrants, to the original purchaser, ADJ Products, LLC products to be free of manufacturing defects in material and workmanship for a prescribed period from the date of purchase (see specific warranty period on reverse). This warranty shall be valid only if the product is purchased within the United States of America, including possessions and territories. It is the owner's responsibility to establish the date and place of purchase by acceptable evidence, at the time service is sought.
- B. **For warranty service, you must obtain a Return Authorization number (RA#) before sending back the product-please contact ADJ Products, LLC Service Department at 800-322-6337.** Send the product only to the ADJ Products, LLC factory. All shipping charges must be pre-paid. If the requested repairs or service (including parts replacement) are within the terms of this warranty, ADJ Products, LLC will pay return shipping charges only to a designated point within the United States. If the entire instrument is sent, it must be shipped in its original package. No accessories should be shipped with the product. If any accessories are shipped with the product, ADJ Products, LLC shall have no liability whatsoever for loss of or damage to any such accessories, or for the safe return thereof.
- C. This warranty is void if the serial number has been altered or removed; if the product is modified in any manner which ADJ Products, LLC concludes, after inspection, affects the reliability of the product, if the product has been repaired or service by anyone other than ADJ Products, LLC factory unless prior written authorization was issued to purchaser by ADJ Products, LLC; if the product is damaged because not properly maintained as set forth in the instruction manual.
- D. This is not a service contract, and this warranty does not include maintenance, cleaning or periodic check up. During the period specified above, ADJ Products, LLC will replace defective parts at its expense with new or refurbished parts, and will absorb all expenses for warrant service and repair labor by reason of defects in material or workmanship. The sole responsibility of ADJ Products, LLC under this warranty shall be limited to the repair of the product, or replacement thereof, including parts, at the sole discretion of ADJ Products, LLC. All products covered by this warranty were manufactured after August 15, 2012, and bear identifying marks to that effect.
- E. ADJ Products, LLC reserves the right to make changes in design and/or improvements upon its products without any obligation to include these changes in any products theretofore manufactured.
- F. No warranty, whether expressed or implied, is given or made with respect to any accessory supplied with products described above. Except to the extent prohibited by applicable law, all implied warranties made by ADJ Products, LLC in connection with this product, including warranties of merchantability or fitness, are limited in duration to the warranty period set forth above. And no warranties, whether expressed or implied, including warranties of merchantability or fitness, shall apply to this product after said period has expired. The consumer's and/or Dealer's sole remedy shall be such repair or replacement as is expressly provided above; and under no circumstances shall ADJ Products, LLC be liable for any loss or damage, direct or consequential, arising out of the use of, or inability to use, this product.
- G. This warranty is the only written warranty applicable to ADJ Products, LLC Products and supersedes all prior warranties and written descriptions of warranty terms and conditions heretofore published.

LIMITED WARRANTY PERIODS

- **Entour Ice = 2 year (730 days) Limited Warranty**
- **Non L.E.D. Lighting Products = 1 year (365 days) Limited Warranty** (Such as: Special Effect Lighting, Intelligent Lighting, UV lighting, Strobes, various Fog Machines, Bubble Machines, Mirror Balls, Par Cans, Trussing, Lighting Stands etc. excluding LED and lamps)
- **Laser Products = 1 Year (365 Days) Limited Warranty** (excludes laser diodes which have 6 month limited warranty)
- **L.E.D. Products = 2 year (730 days) Limited Warranty** (excluding batteries which have a 180 day limited warranty)
Note: 2 Year Warranty only applies to purchases within the United States.
- **StarTec Series = 1 Year Limited Warranty** (excluding batteries which have a 180 day limited warranty)
- **ADJ DMX Controllers = 2 Year (730 Days) Limited Warranty**

SAFETY INSTRUCTIONS AND GUIDELINES

To guarantee a smooth operation, it is important to follow all instructions and guidelines in this manual. ADJ PRODUCTS LLC is not responsible for injury and/or damages resulting from the misuse of these devices due to the disregard of the information printed in this manual. Only qualified and/or certified personnel should perform installation of these devices and only the original rigging parts included with these devices should be used for installation. Any modifications to these devices and/or the included mounting hardware will void the original manufactures warranty and increase the risk of damage and/or personal injury.



PROTECTION CLASS 1 – DEVICES MUST BE PROPERLY GROUNDED



THERE ARE NO USER SERVICEABLE PARTS INSIDE THESE DEVICES. DO NOT ATTEMPT ANY REPAIRS YOURSELF; DOING SO WILL VOID YOUR MANUFACTURES WARRANTY. DAMAGES RESULTING FROM MODIFICATIONS TO THESE DEVICES AND/OR THE DISREGARD OF SAFETY INSTRUCTIONS AND GUIDELINES IN THIS MANUAL VOID THE MANUFACTURES WARRANTY AND ARE NOT SUBJECT TO ANY WARRANTY CLAIMS AND/OR REPAIRS.

**DO NOT PLUG THIS UNIT INTO A DIMMER PACK!
DO NOT REMOVE THE COVER UNDER ANY CONDITIONS!
KEEP UNIT UPRIGHT!**



**NEVER OPERATE THIS UNIT WITH THE COVER REMOVED!
UNPLUG POWER DURING LONG PERIODS OF NON-USE
ENSURE TANK AND COOLER ARE EMPTY BEFORE STORAGE OR TRANSPORT!
DISCONNECT POWER BEFORE ADDING WATER OR PERFORMING MAINTENANCE!**



**INDOOR / DRY LOCATIONS USE ONLY!
DO NOT EXPOSE DEVICES TO RAIN AND/OR MOISTURE!
PLACE UNIT IN A WELL VENTILATED AREA.
ALLOW 40" (100CM) ABOVE AND AROUND THE UNIT FOR PROPER VENTILATION**



**USE CLEAN WATER AS IMPURITIES MAY RESULT IN DAMAGE TO THE UNIT.
USE THIS UNIT ON LEVEL SURFACES! LOCK WHEELS TO KEEP FROM MOVING!
THE WATER IN THE TANK CAN REACH AS HIGH AS 185°F (85°C). BEFORE DRAINING, WAIT FOR THE WATER TEMPERATURE TO REACH BELOW 86°F (30°C).
ALLOW UNIT TO COOL DOWN BEFORE CLEANING OR SERVICING.**

SEE FOLLOWING PAGE FOR DRY ICE HANDLING, STORAGE AND USAGE WARNINGS.



DRY ICE CAN BE DANGEROUS IF HANDLED, STORED OR USED INCORRECTLY. PLEASE FOLLOW ALL APPROPRIATE SAFETY GUIDELINES FOR HANDLING, STORAGE AND USE.

HANDLING:



THE TEMPERATURE OF DRY ICE IS -109.3°F (-79°C) AND IS COLD ENOUGH TO FREEZE SKIN CELLS AND CAUSE INJURIES SIMILAR TO A BURN. ALWAYS HANDLE DRY ICE WITH CARE AND WEAR PROTECTIVE GLOVES OR USE A PROTECTIVE CLOTH SUCH AS A TOWEL. AVOID CONTACT WITH SKIN, MOUTH, EYES AND CLOTHING. DRY ICE CAN CAUSE SEVERE BURNS.

STORAGE:



STORE DRY ICE IN AN INSULATED CONTAINER (THAT IS NOT AIRTIGHT). AS DRY ICE SUBLIMATES FROM A SOLID TO CARBON DIOXIDE GAS, IT CAN CAUSE AN AIRTIGHT CONTAINER TO EXPAND AND POSSIBLY EXPLODE.

VENTILATION:



DRY ICE GIVES OFF CARBON DIOXIDE GAS, WHICH MAY CAUSE DIFFICULTY BREATHING OR SUFFOCATION. IF DRY ICE HAS BEEN KEPT IN A CLOSED SPACE SUCH AS A VEHICLE OR ROOM, VENTILATE THE AREA BEFORE ENTERING. IF YOU HAVE ANY DIFFICULTY BREATHING, LEAVE THE AREA IMMEDIATELY. IN A VEHICLE, TRANSPORT DRY ICE IN THE TRUNK OR WITH THE WINDOWS OPEN TO PROVIDE ADEQUATE VENTILATION.



AIRTIGHT CONTAINERS MAY EXPLODE AS DRY ICE SUBLIMATES TO CO₂. USE ONLY WITH ADEQUATE VENTILATION. DO NOT STORE IN CONFINED SPACES.



DO NOT EAT! DRY ICE IS HARMFUL IF EATEN OR SWALLOWED. IF INGESTED, SEEK MEDICAL HELP IMMEDIATELY.

SAFETY INSTRUCTIONS AND GUIDELINES

DO NOT attempt installation and/or operation of devices without knowledge how to do so.

DO NOT point or direct the fog conduction hose in an unsafe direction.

DO NOT permit operation by persons who are not qualified to operate these types of devices.

DO NOT shake devices, avoid brute force when installing and/or operating.

DO NOT operate device if the main power cord has become frayed, crimped and/or damaged.

Replace any damaged power cords with a similar power rating.

DO NOT remove or break-off the ground plug from the device power cords.

DO NOT remove or disassemble devices, there are NO user serviceable parts inside.

ALWAYS disconnect devices from main power source before cleaning.

ALWAYS disconnect unit from main power before adding or draining water.

ALWAYS be sure to keep the device on a level surface.

ALWAYS be sure to use this device in an area that will allow proper ventilation.

ALWAYS disconnect power cords during long periods of non-use.

Power cords should be safely routed and secured so they are not likely pinched.

Only use recommended rigging hardware as described in this guide.

Use the original packaging and materials to transport this device in for service.

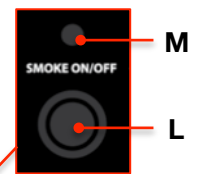
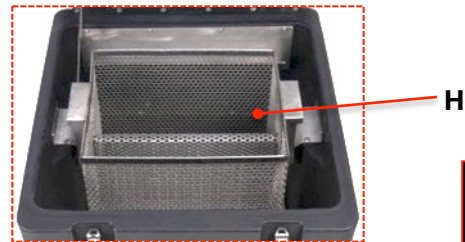
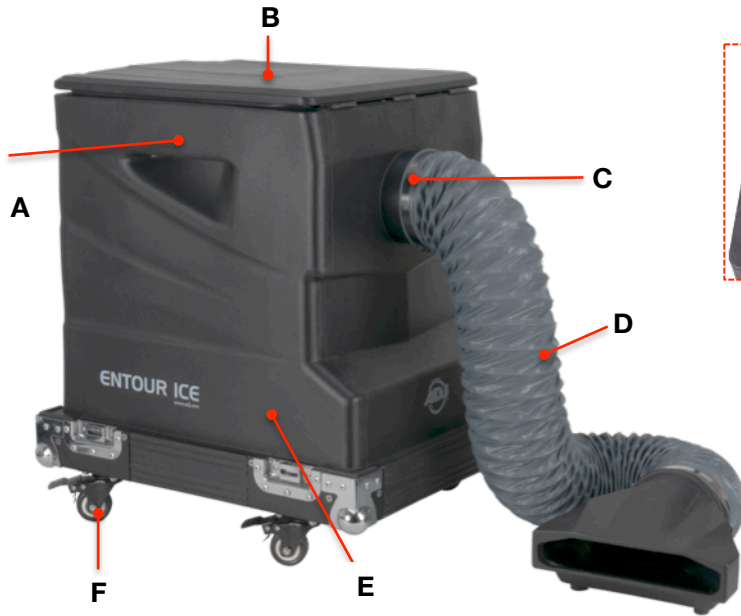
These devices should be serviced by qualified service personnel when:

- The power cords or plugs have become damaged.
- Objects have fallen on and/or liquid has spilled into the devices.
- The devices have been exposed to rain and/or moisture.
- The devices do not operate normally or exhibit a marked change in performance.

OVERVIEW

INCLUDED ITEMS:

- (1) Entour Ice
- (1) Flight Case Cover
- (1) Fog Conduction Hose 5' (1.5M)



- A. Carry Handle
- B. Cooler Box
- C. Fog Outlet
- D. Fog Conduction Hose 5' (1.5M)
- E. Water Tank
- F. Wheels
- G. Flight Case Cover
- H. Dry Ice Basket
- I. LCD Display and Function Buttons
- J. Water Level Indicator
- K. Drain Valve

- L. Smoke On/Off Button
- M. LED Indicator
- N. Upper Cover Lock
- O. Power Input LED Indicator
- P. Main Power Input
- Q. No Fuse Breaker (NFB)
- R. Auxiliary Power Input
- S. No Fuse Breaker (NFB)
- T. DMX 3 Pin XLR Input
- U. DMX 3 Pin XLR Output
- V. DMX 5 Pin XLR Input
- W. DMX 5 Pin XLR Output

DMX SETUP

POWER SUPPLY

The Entour Ice has a main power input and an auxiliary power input. The main power input supplies 1,450W @ 120V (or 3,000W @ 230V) to the heater and control circuits while the auxiliary power supply provides an additional 1,450W @ 120V (or 3,000W @ 230V) to the heater. The main power source must be connected when using the unit.

Note: If operating the unit with main power only, heating times may be longer.

DMX-512

DMX is short for Digital Multiplex. This is a universal protocol used by most lighting and controller manufactures as a form of communication between intelligent fixtures and controllers. A DMX controller sends DMX data instructions from the controller to the fixture. DMX data is sent as serial data that travels from fixture to fixture via the DATA “IN” and DATA “OUT” XLR terminals located on all DMX fixtures (most controllers only have a DATA “OUT” terminal).

DMX LINKING

DMX is a language allowing all makes and models of different manufacturers to be linked together and operate from a single controller (as long as all fixtures and the controller are DMX compliant). To ensure proper DMX data transmission, when using several DMX fixtures, try to use the shortest cable path possible. The order in which fixtures are connected in a DMX line does not influence the DMX addressing. For example, a fixture assigned a DMX address of 1 may be placed anywhere in a DMX line, at the beginning, at the end, or anywhere in the middle. Therefore, the first fixture controlled by the controller could be the last fixture in the chain. When a fixture is assigned a DMX address of 1, the DMX controller knows to send DATA assigned to address 1 to that unit, no matter where it is located in the DMX chain.

DATA CABLE (DMX CABLE) REQUIREMENTS (FOR DMX AND MASTER/SLAVE OPERATION):

The Entour Ice can be controlled via DMX-512 protocol. The Entour Ice has 3 DMX channel modes. The DMX address is set electronically using the controls on the rear panel of the unit. Your unit and your DMX controller require an approved DMX-512 110 Ohm Data cable for data input and data output (Figure 1). We recommend AccuCable DMX cables. If you are making your own cables, be sure to use standard 110-120 Ohm shielded cable (This cable be purchased at almost all professional sound and lighting stores). Your cables should be made with a male and female XLR connector on either end of the cable. Also remember that DMX cable must be daisy chained and cannot be split.



Figure 1

DMX SETUP

NOTICE

Be sure to follow figures two and three when making your own cables. Do not use the ground lug on the XLR connector. Do not connect the cable's shield conductor to the ground lug or allow the shield conductor to come in contact with the XLR's outer casing. Grounding the shield could cause a short circuit and erratic behavior.

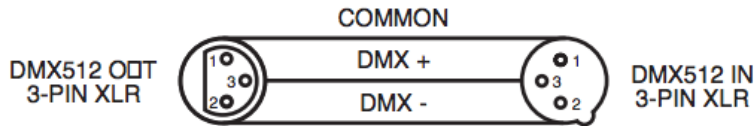


Figure 2

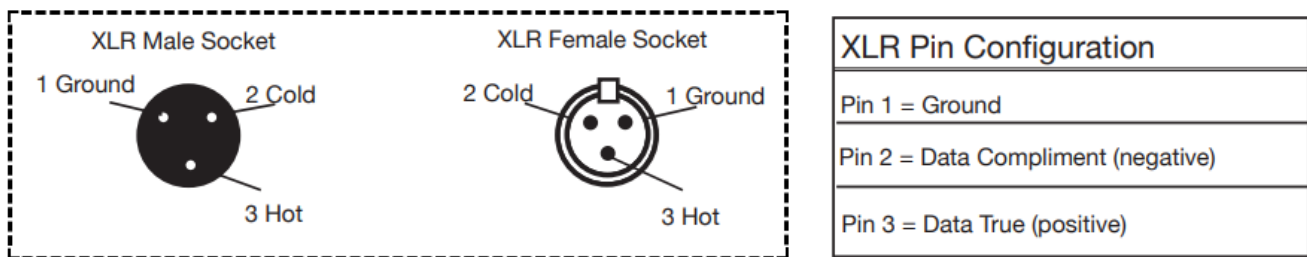


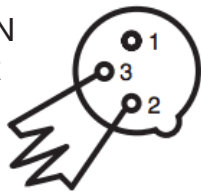
Figure 3

SPECIAL NOTE: LINE TERMININATION

When longer runs of cable are used, you may need to use a terminator on the last unit to avoid erratic behavior. A terminator is a 110-120 ohm 1/4 watt resistor, which is connected between pins 2 and 3 of a male XLR connector (DATA + and DATA -). This unit is inserted in the female XLR connector of the last unit in your daisy chain to terminate the line. Using a cable terminator (ADJ part number Z-DMX/T) will decrease the possibilities of erratic behavior.

Figure 4

DMX512 IN
3-PIN XLR



Termination reduces signal errors and avoids signal transmission problems and interference. It is always advisable to connect a DMX terminal, (Resistance 120 Ohm 1/4 W) between PIN 2 (DMX-) and PIN 3 (DMX +) of the last fixture.

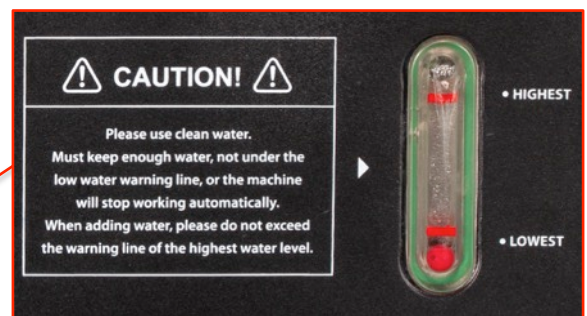
SET UP INSTRUCTIONS

SET UP

1. Set the Entour Ice on a flat surface and remove any packing material.
2. Connect the fog conduction hose and hose adapter. Be sure to point or direct the hose in a safe direction away from equipment, people and poorly ventilated areas.
3. Ensure that water tank and dry ice basket are free of any debris.
4. Fill the cooler box with clean water. The bottom water tank will fill as water is added to the cooler box. Be sure not to exceed the warning water line (*Figure 1*). During use, if the water level is insufficient, the unit will stop functioning and the menu will be inaccessible.
5. Add dry ice into the mesh basket and carefully lower the basket into the cooler box.
6. Connect the mains power cord from the unit to the appropriate power supply.
7. Connect a DMX controller or use the LCD display and menu/function buttons to set the desired settings. For operating instructions, please see page 14.



Figure 1



SYSTEM MENU

MENU

MODE	FUNCTION Button	UP/DOWN Button	Instruction
DMX MODE	Preset	65°C, 70°C, 75°C or 80°C	Select the desired preset water temperature (65°C, 70°C, 75°C or 80°C)
	Volume	10%-100%	Select the desired output volume (10% - 100%)
	DMX Address	1 - 512	Sets the DMX starting address (001-512)
	DMX mode	1ch	The unit occupies 1 DMX channels
		2ch	The unit occupies 2 DMX channels
		6ch	The unit occupies 6 DMX channels
	Duration	10 s – 250 s	Set the duration of timed fogging (10-250 seconds)
Interval	10 s – 250 s	Set the interval of timed fogging (10-250 seconds)	



O P E R A T I O N

The LCD Display is easy to read and displays functions and operation controls.

Preset XX°C: Displays the default target water temperature. The preset temperature can be set to 65, 70, 75 or 80 degrees Celsius.

Current T. = XX°C: Displays the current water temperature. If the current temperature is lower than the preset temperature, the Celsius symbol will flash and continue to flash until the target temperature is reached.

LOW: Low temperature warning. When water is added to the unit and the temperature is 39 degrees Celsius or below, "LOW" will flash on the upper right corner of the display. Note: If the water temperature is above 40 degrees but below the desired preset temperature, smoke may still function but output may not be optimal.

WARNING MESSAGES

Water Level Low: Indicates that the current water level is too low. ***Note: If the water level is too low, the heater will not power on and the menu will be inaccessible until water is added.***

Heater Overheat: Indicates that the water temperature is too high. Please check water temperature and thermostat connection.

OPERATION (WITHOUT DMX)

When there is no DMX signal detected, the Entour Ice can function in one of three settings (Continuous Fogging, Timed Fogging or Manual Fogging Operation).

Continuous Fogging Operation:

1. Press the **HOLD** button or **SMOKE ON/OFF** button to start the Continuous setting.
The volume can be set between 10% and 100% by pressing the **UP** or **DOWN** button.
 - a. To switch from Continuous Fogging Operation to Timed Fogging Operation, press the **TIMER** button.
2. To exit Continuous Fogging Operation and return to the previous setting, press the **HOLD** button or **SMOKE ON/OFF** button.

Timed Fogging Operation:

1. Press the **FUNCTION** button to select the Duration setting.
The duration can be set between 10 and 250 seconds by pressing the **UP** or **DOWN** button.
2. Press the **FUNCTION** button to select the Interval setting.
The interval can be set between 10 and 250 seconds by pressing the **UP** or **DOWN** button.
3. Press the **FUNCTION** button to select the Volume setting.
The volume can be set between 10% and 100% by pressing the **UP** or **DOWN** button.
4. Once the values are set for duration, interval and volume press **TIMER** to enter Timed Fogging mode.
 - a. To switch from Timed Fogging Operation to Continuous Fogging mode, press the **HOLD** button.
5. To exit Timed Fogging Operation and return the unit to the previous setting, press **TIMER**.

Manual Mode: Manual fogging mode can take priority over any mode as long as heating is completed and the unit is ready for output.

1. To enter Manual mode, press and hold the **MANUAL** button.
2. While the button is held, Manual mode (with maximum output) will be activated.
3. To exit Manual mode and return the unit to the previous setting, release the **MANUAL** button.

OPERATION (WITH DMX)

See page 17 for each mode's DMX traits.

DMX Addressing and Channel Mode: This function will allow you to control each individual fixture's traits with a standard DMX 512 controller. When the Entour Ice detects a DMX signal, it will enter DMX Mode automatically (with the exception of Manual Mode).

Press the FUNCTION button to enter DMX mode setting.

Press UP/DOWN to select the channel mode (1ch, 2ch or 6ch.)

DMX Address

- Press **FUNCTION** button to enter the DMX address setting
- Press **UP/DOWN** to adjust the DMX address
- **When the desired DMX value is set, the DMX address will automatically be saved.**

During DMX Operation, the DMX Channel mode can still be switched between 1ch, 2ch and 6ch by pressing the **FUNCTION** button.

- The DMX Channel can also be adjusted using the **UP/DOWN** button during DMX Operation.

DMX CHANNEL MODE DISPLAY

1ch Mode:

1ch	Addr1	72°C
Smoke	OFF	100%

The first line shows the 1ch mode, the DMX address and the current water temperature; the second line shows the current status of smoking ON/OFF, and output volume controlled by DMX console. Please note that the default smoke output is 100% when in 1ch mode and it is not adjustable.

2ch Mode:

2ch	Addr1	72°C
Smoke	OFF	100%

The first line shows the 2ch mode, the DMX address and the current water temperature. The second line shows the current smoke output ON/OFF, and output volume controlled by DMX console.

6ch Mode:

6ch	Addr1	72°C
Dur.xxx		Int.xxx

The first line shows the 6ch mode, the DMX address and the current water temperature. The second line shows the current duration and interval setting by DMX console.

OFF	10%	72°C
Dur.xxx		Int.xxx

After 2 seconds, the screen will switch into working status and display the current status of smoke ON/OFF, and output volume and current water temperature. The second line shows the current duration and interval setting by DMX console. If the water temperature is between 0-31, heating will stop and the temperature will be shown as "X".

OFF	10%	X
Dur.xxx		Int.xxx

DMX CHANNELS / VALUES / FUNCTIONS

DMX CHANNELS / VALUES / FUNCTIONS (3 Modes 6 Channels)				
SUPPORTS SOFTWARE VERSION 1.0				
MODE (1,2 and 6) / CHANNEL			VALUE	FUNCTION
1ch	2ch	6ch		
1	1	1	0 - 31 32 - 255	Smoke ON/OFF Off ON
	2	2	0 - 28 29 - 255	Volume 10% 11-100%
		3	0 - 10 11 - 249 250 - 255	Duration 10 Seconds 11-249 Seconds 250 Seconds
		4	0 - 4 5 - 10 11 - 249 250 - 255	Interval 0 Seconds 10 Seconds 11-249 Seconds 250 Seconds
		5	0 - 63 64 - 127 128 - 191 192 - 255	Preset Temperature 65°C 70°C 75°C 80°C
		6	0 - 31 32 - 255	Heater Off On

MAINTENANCE GUIDELINES



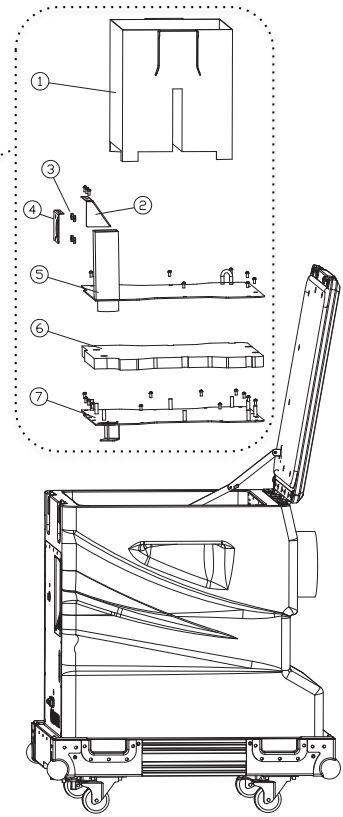
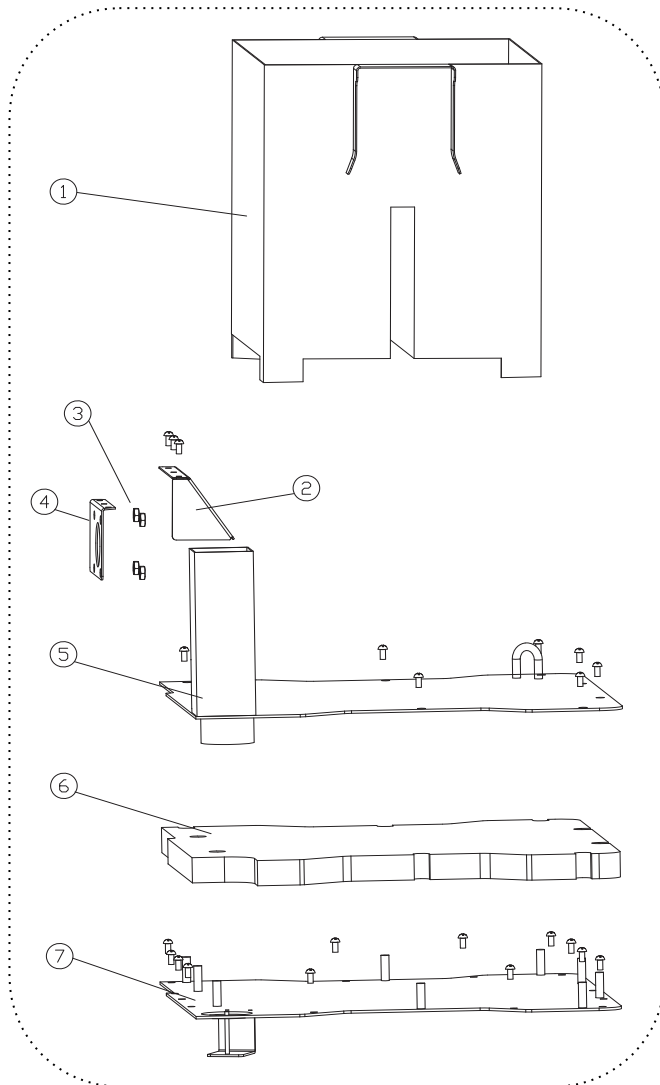
DISCONNECT POWER BEFORE PERFORMING ANY MAINTENANCE!

Before performing maintenance, ensure that the power has been disconnected and unit has cooled and is a safe temperature to work on.

If the drain valve is blocked, the cooler box and tank may need to be cleaned.

To clean the cooler box and water tank, please follow the following steps.

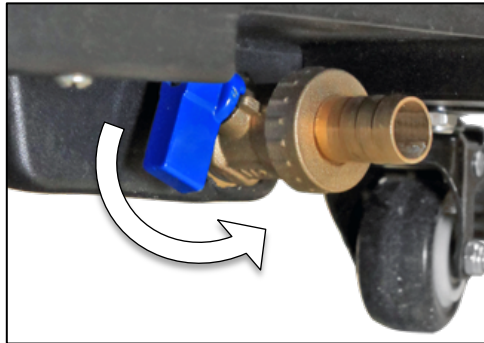
- a) Open the top cover and take out the dry ice basket (1).
- b) Loosen the three screws on the water inlet cover (2) and remove the water inlet cover.
- c) Loosen the four nuts (3) and remove the water pressure plate (4).
- d) Unscrew the nine screws of the upper partition (5) and remove the upper partition.
- e) Remove the insulation board (6).
- f) Unscrew the eight screws of the lower partition (7) and remove the lower partition.
- g) Clean the water tank using clean water and a soft cloth.
- h) Clean the dry ice basket with a soft cloth and keep the mesh open to ensure no clogging occurs.
- i) Replace parts and basket in reverse order.



MAINTENANCE GUIDELINES

Draining the water tank: The Entour Ice has a drainage valve built in. To empty the water tank follow the instructions below:

1. Disconnect all power to the unit
2. With the water at a safe temperature of 86°F (30°C) or below, locate the drain valve at the base of the unit.
3. Open the drainage valve by turning the blue knob counter clockwise.
4. Once water has drained, close the drain valve by turning the blue knob clockwise.



Non Fuse Breaker (NFB): Each power input (main and auxiliary) has a No Fuse Breaker rated for up to 20A. If for some reason the NFB becomes tripped, press the breaker to reset the action. If the breaker does not reset, please contact ADJ Customer Service.



Wheel Lock: The Entour Ice comes with locking casters for easy transportation and maneuverability. To lock the caster, press down on the locking tab. To unlock the caster, raise the locking tab so that it is parallel with the ground.



MAINTENANCE GUIDELINES

CLEANING

Frequent cleaning is recommended to insure proper function, optimized fog output, and an extended life. The frequency of cleaning depends on the environment in which the device operates in: damp, smoky or particularly dirty environments can cause greater accumulation of dirt and debris in the tank. Clean the external housing of the fixture and the tank at least every 20 days with a soft cloth to avoid dirt/debris accumulation.

NEVER use alcohol, solvents, or ammonia-based cleaners.

MAINTENANCE

Regular inspections are recommended to insure proper function and extended life.

Avoid allowing moisture to enter any of the internal parts.

When not in use or during transport, keep the unit dry. Do not store the unit with water in the tank or dry ice in the basket. It is recommended to drain the unit and remove any dry ice prior to storage or performing any maintenance.

Avoid the use of water with impurities as they may result in poor performance or damage to the unit.

There are no user serviceable parts inside these devices, please refer all other service issues to an authorized ADJ service technician. Should you need any spare parts, please order genuine parts from your local ADJ dealer.

A detailed review by an approved electrical engineer every three months, to make sure the circuit contacts are in good condition and prevent overheating. Be sure all screws and fasteners are securely tightened at all times. Loose screws may fall out during normal operation resulting in damage or injury. Electric power supply cables must not show any damage, material fatigue or sediments. Damage could cause the device to fail and seriously injure a person(s).

TROUBLE SHOOTING TIPS

Power is connected but no smoke is emitted:

1. Check the power supply. Plug the unit into a grounded electric power supply with proper voltage.
2. Check if circuit breaker that controls the AC outlet the light is plugged into is not tripped.
3. Confirm the AC power cord from the light is not damaged or cut.
4. Check the No Fuse Breaker (NFB) and see if it needs to be reset.
5. If the water level is too low, the heater will not power on and the menu will be inaccessible until water is added.
6. If none of these solutions work, please contact ADJ Customer Service.

Fog output is not smooth and comes in bursts/blasts:

1. Unplug the unit immediately and check supply levels of clean water and dry ice
 - a. If supply levels are sufficient, plug the unit back in and test output.
2. Check current water temperature.
 - a. If the current water temperature is above 104°F (40°C) but below the preset temperature, the output may be sporadic or inconsistent.

FREQUENTLY ASKED QUESTIONS

Listed below are a few answers to common questions users may have.

1. What is the dry ice capacity?

The capacity of the dry ice basket is 26.5lbs (12kg).

2. How do you drain the water from the tank?

There is a drain valve at the bottom of the machine. Please see page 20 for draining instructions.

3. Is the fog conduction hose included?

Yes, the fog conduction hose (ENT220) is included. The length of the hose is 5 feet (1.5 meters).

For an additional conduction hose or any other additional accessories, please visit www.adj.com

SPECIFICATIONS

MODEL: ENTOUR ICE	
Total Power Consumption:	(120V) 3,000W. (230V) 6,000W
Heater Power:	(120V) 1,450Wx2, (230V) 3,000Wx2
Main Power:	(120V) 1,450W. (230V) 3,000W
Auxiliary Power:	(120V) 1,450W, (230V) 3,000W
Warm Up Time (120V):	≈ 90 minutes @ 1,450W, 45 minutes @ 2,900W
Warm Up Time (230V):	≈ 45 minutes @ 3,000W, 23 minutes @ 6,000W
Fuse:	NFB 20 Amp x 2
DMX Channels Modes:	3 DMX Channel modes (1, 2, and 6)
Functions:	Timed Fogging and Manual Fogging
Electronic Temperature Control (°C):	65, 70, 75 and 80 Degrees Celsius
Output Volume Adjustment:	10-100%
Maximum Coverage Area (m ²):	550 m ²
Water Volume (to full line):	8.5 Gallons (32 Liters)
Dry Ice Capacity:	26.5 lbs. (12 Kg)
Cooler Box Holding Time:	10 Hours
Low Water Shutdown:	Yes
IP Rating:	None (Indoor Use Only)
Weight:	72.8 lbs. / 33 Kg without Case Cover 93.7 lbs. / 42.5 Kg with Case Cover
Dimensions (with wheels):	21.4" (L) x 18.1" (W) x 24.3" (H) 543 x 460 x 617mm
Dimensions (with wheels and flight case):	21.4" (L) x 18.1" (W) x 24.8" (H) 543 x 460 x 632mm
Warranty:	2 Years (730 Days)

Please Note: Specifications and improvements in the design of this unit and this manual are subject to change without any prior written notice. Warm Up times may vary based on base water temperature and environmental variables.

OPTIONAL ACCESSORIES

Order Code	Description
AC5PDMX3	3' DMX cable with 5-pin male to 5-pin female connection.*
AC5PDMX3PRO	Pro Series 3' DMX cable with 5-pin male to 5-pin female connection.*
ENT220	Entour Ice Hose 5' (1.5M) with clamps and fog dispersion nozzle.

*Additional lengths available at www.adj.com

DIMENSIONS

