

KRK VXT8 - Design Features

ABS (Acrylonitrile Butadiene Styrene) Foam Enclosure

High density / low resonance material giving improved structural integrity and rigidity resulting in an extended low-end response. Allows the internal design to have complex shapes and non-parallel walls, increasing rigidity and reducing internal nodes. ABS also has extremely high impact resistance and excellent damping characteristics which reduces cabinet resonance.

Front Firing Radiused / Non-parallel Ports

Facilitates the smooth passage of air molecules which reduces port turbulence at high signal pressure levels. Front firing to avoid wall / corner coupling.

Radiused Enclosure Edges

Eliminating diffraction and phase distortion results in improved imaging characteristics as well as a wider sweet spot at the monitoring position.

Silk Domed Tweeter

The domed tweeter is comprised of true silk for fast transient response. Silk construction reduces ear fatigue and the tweeter waveguide geometry ensures HF directivity.

Woven Kevlar Cone

The inter-molecular hydrogen bonds of Kevlar give the cone high tensile strength for its light weight. Kevlar also maintains its strength and resilience over a wide temperature range. The lightweight and resilient properties of Kevlar reduces distortion and delivers extended low-end performance as compared to cones made from paper or polypropylene.

Proprietary Woofer Design

The aluminum pole and vented formers remove heat and reduce the effects of power compression ensuring audio performance is consistent and does not deteriorate over time.

HF and LF Controls

Adjustment of the LF response is provided to allow compensation for room response and desktop positioning. Adjustment of the HF is provided to compensate for room acoustics or to reduce ear fatigue when listening for extended durations.

Multiple Protection Circuitry

Thermal, over voltage and over-current circuitry is employed in the design. There is also a switchable limiter which will protect the unit from transients in the signal path.

Ground Lift

Allowing the disconnection of the ground terminal to help resolve issues such as hum and buzz caused by ground loops in poorly configured power systems.



APPLICATIONS

- Nearfield Monitoring
- TV & Broadcast
- Home- & Project-Studios
- Control Rooms
- Multimedia Playback
- Game Developers
- Surround Environments
- Editing Facilities

VXT 8 SPECIFICATIONS

Configuration 2-Way Bass Reflex

Drivers

Woofer 8" Woven Kevlar, Ferrite
Tweeter 1" Silk Dome, Ferrite

Controls

System Level Adjust -30dB to +6dB
Ground Lift Lift(On)/Ground(Off)
Clip Indicator On/Off/Limit
Auto Mute On/Off
HF Adjust +1dB/Flat/-1dB
LF Adjust Whole Space (-3dB/40Hz)
Half Space (-3dB/50Hz)
Quarter Space (-3dB/65Hz)

Frequency Response

Lower Cut-Off Frequency @ -6dB 42Hz
Upper Cut-Off Frequency @ -6dB 35kHz
Lower Cut-Off Frequency @ -3dB 50Hz
Upper Cut-Off Frequency @ -3dB 26kHz
Pair Tolerance @ 100Hz-10kHz 1.01dB

Distortion and Max SPL

Max. Level 3% THD (100-10kHz) 106.2 dB
Max SPL 10% THD (50-100Hz) 108.8 dB
Max SPL Music / Program 111 dB
Max SPL Peak 114 dB

Directivity (1k-10k)

Horizontal Directivity -6dB 135°
Horizontal Deviation 32°
Vertical Directivity -6dB 117°
Horizontal Deviation 32°

Inputs

Balanced Line Input, Analog XLR-1/4" TRS Combo
Unbalanced Line Input, Analog XLR-1/4" TRS Combo
Input Impedance 10 kOhm balanced

Amplifier

Low Frequency Amp Power 60 Watts
High Frequency Amp Power 120 Watts

Power

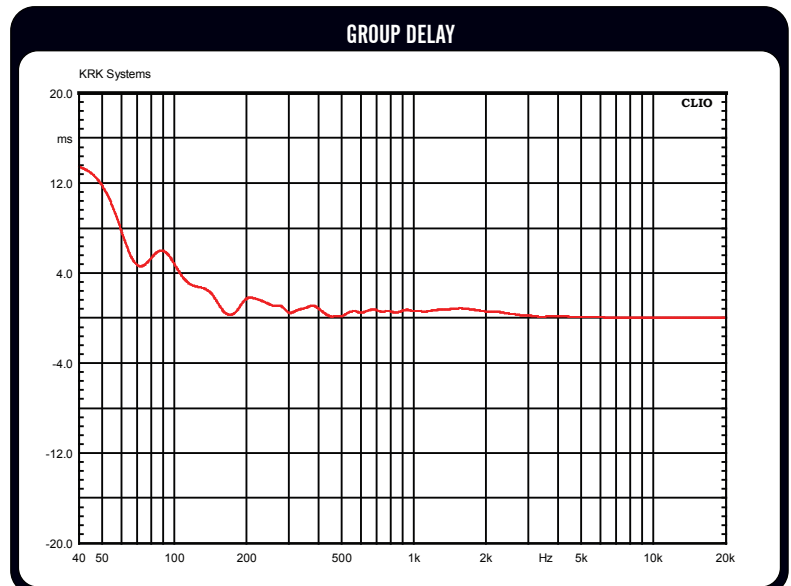
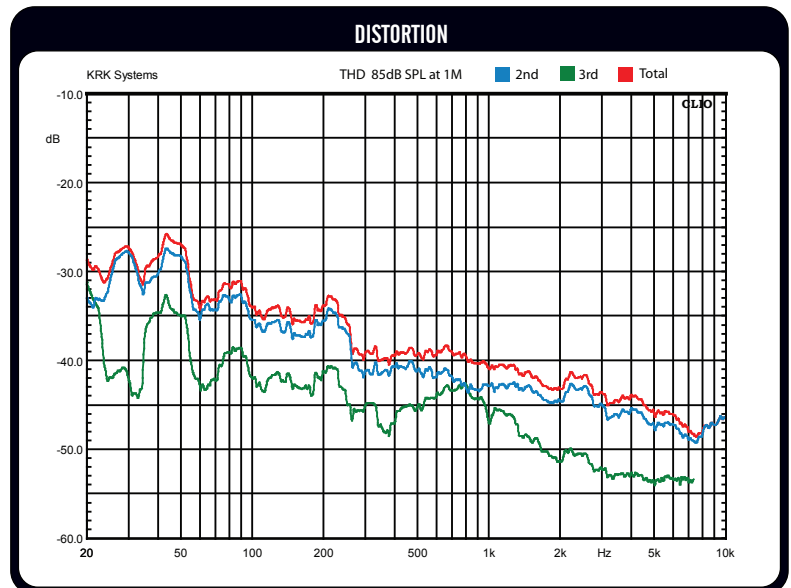
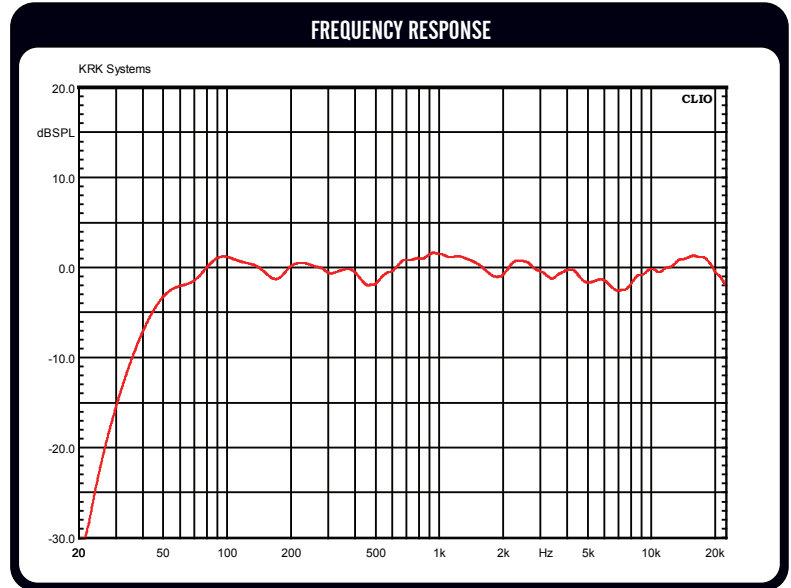
Standby Autopower 192mA On / 64mA Off
Maximum Power consumption 270W
Mains Input Voltage 100V / 110V / 220V / 230 V
Main Input Frequenc 50Hz/60Hz AC

Fuses

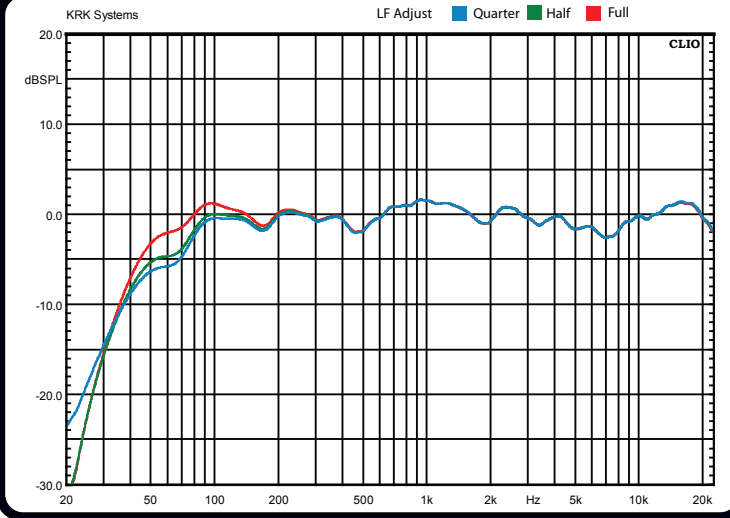
@ 100V 50Hz AC 4.0 A
@ 110-120V 50/60Hz AC 4.0 A
@ 220-240 50/60Hz AC 2.0A 50/60Hz

Physical Attributes

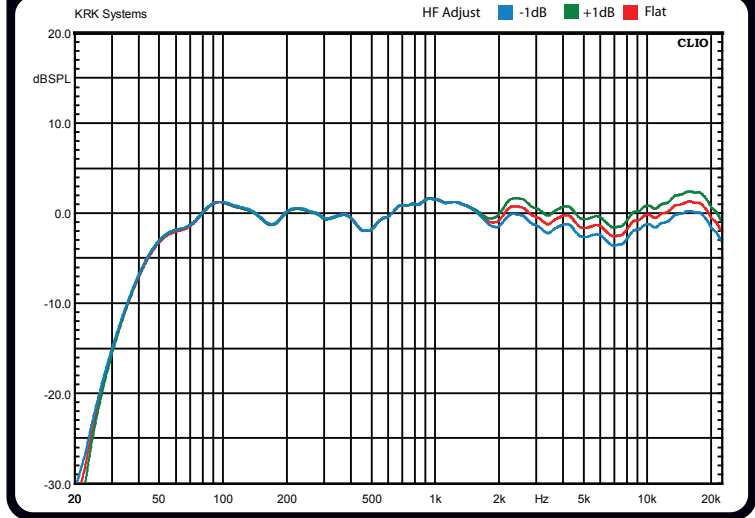
Weight 18.6kg / 41.0lbs
Dimensions (H x W x D) 438mm x 318mm x 300mm
14 1/4" x 12 1/2" x 11 7/8"



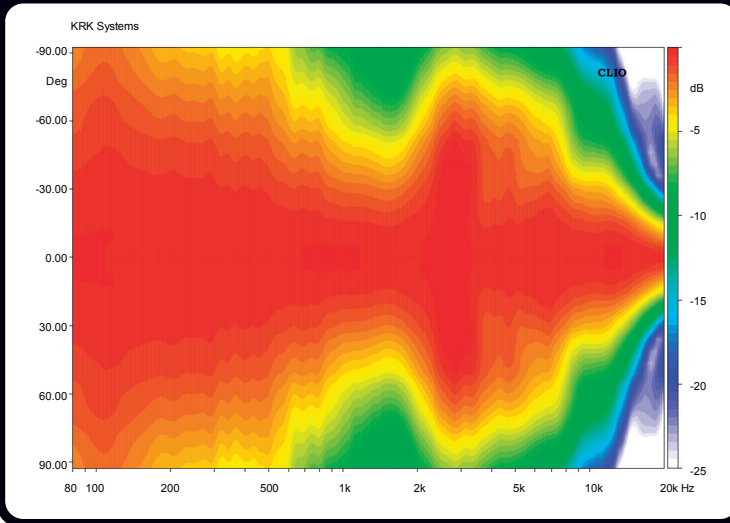
LOW FREQUENCY ADJUSTMENTS



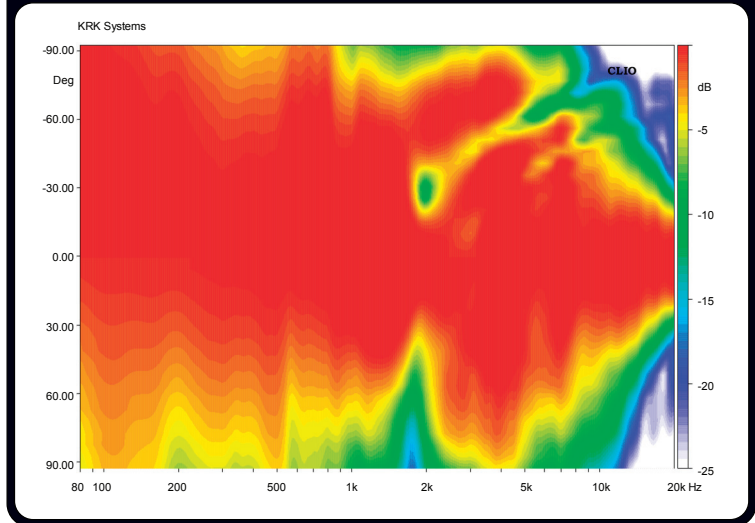
HIGH FREQUENCY ADJUSTMENTS



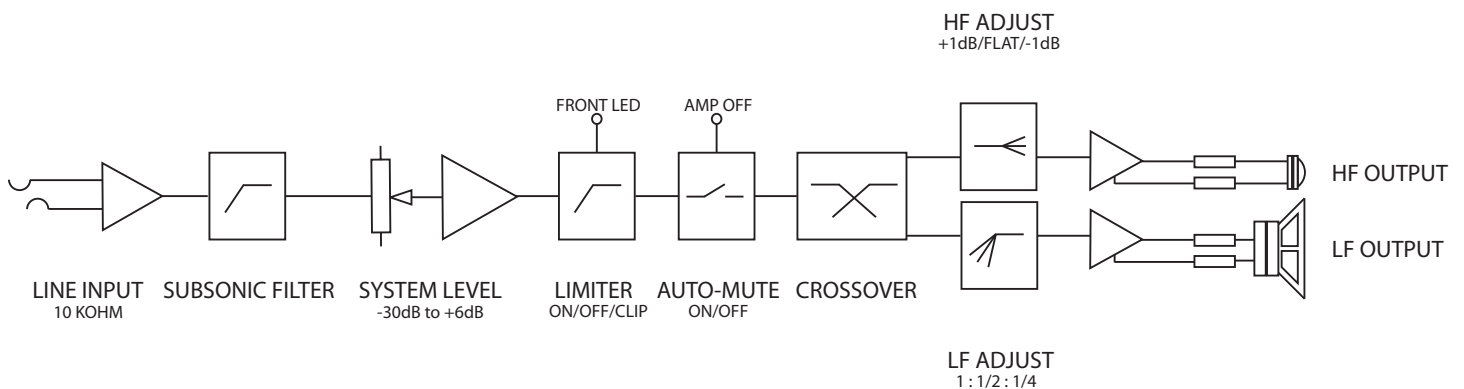
HORIZONTAL DIRECTIVITY



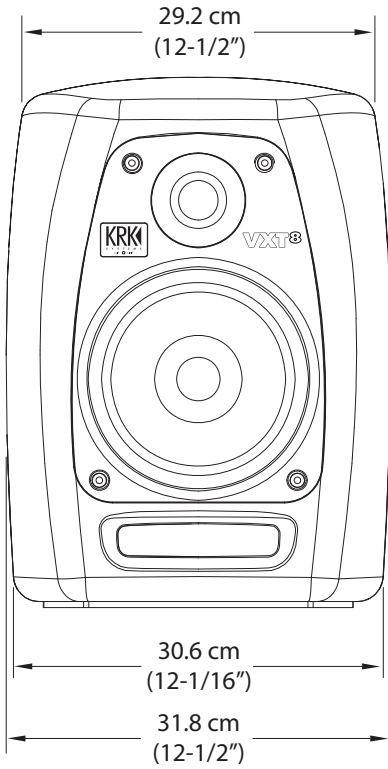
VERTICAL DIRECTIVITY



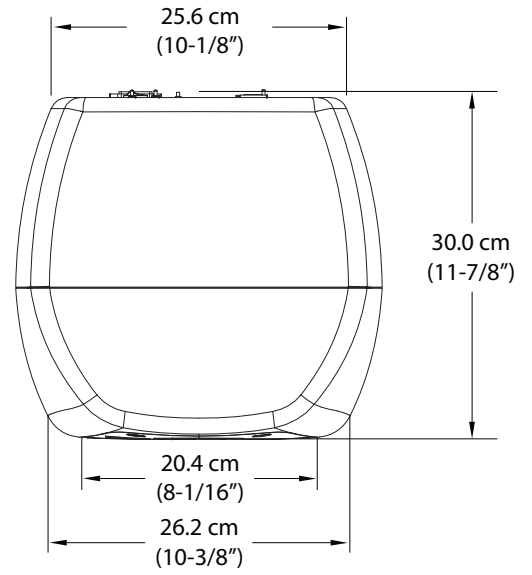
SYSTEM BLOCK DIAGRAM



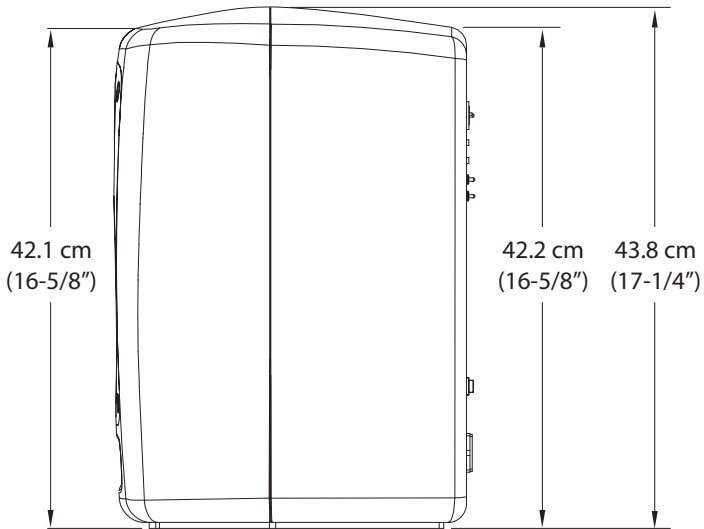
FRONT VIEW



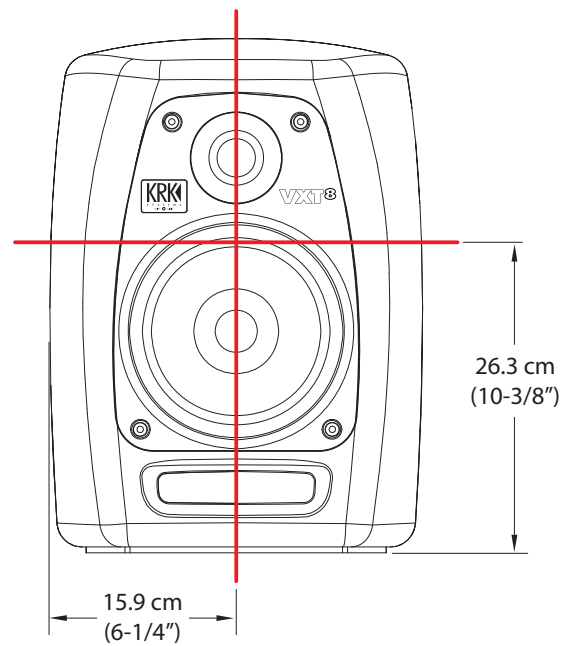
TOP VIEW



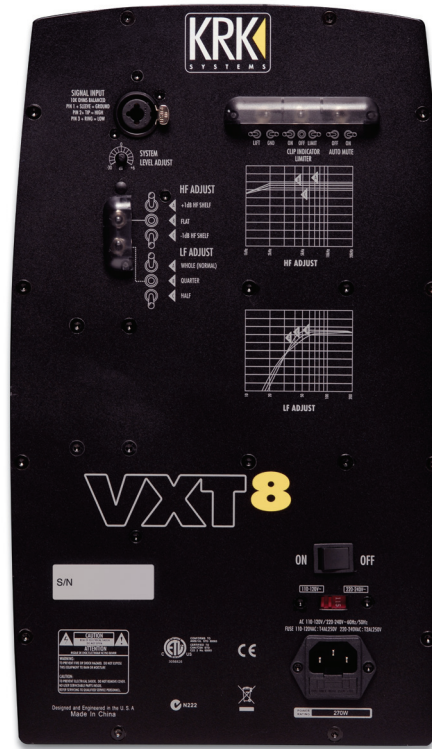
SIDE VIEW



ACOUSTIC AXIS



VXT8 BACK PANEL



MOUNTING OPTIONS



VXT 35mm Pole Adapter

KRKSTD4A1
8-16654-00201-3



VXT 6/8 Wall Adapter

KRKSTD68A1
8-16654-00205-1