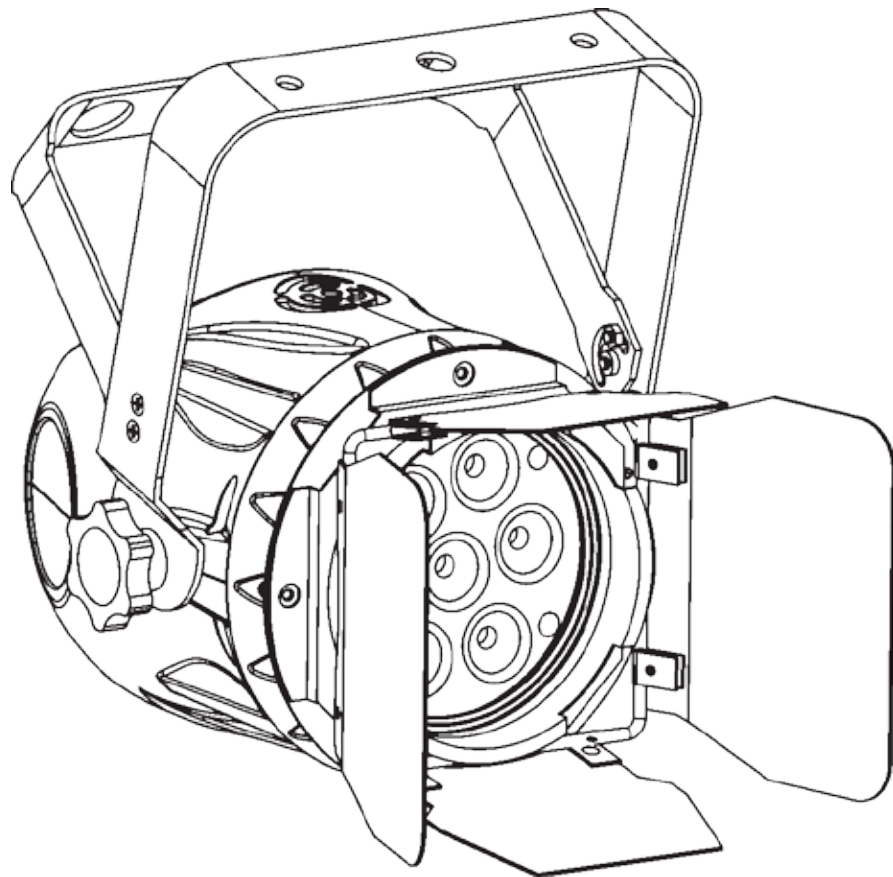


COLORdash™ Per-Tri

User Manual



CHAUVET®
It's Green Thinking

Edition Notes

The COLORdash™ Par-Tri User Manual Rev. 03 covers the description, safety precautions, installation, programming, operation, and maintenance of the COLORdash™ Par-Tri. CHAUVET® released this edition of the COLORdash™ Par-Tri User Manual Rev. 03 in February 2012.

Trademarks

CHAUVET® is a registered trademark of CHAUVET & Sons Inc. (d/b/a CHAUVET® or Chauvet). The CHAUVET® logo in its entirety including the Chauvet name and the dotted triangle, and all other trademarks on this manual pertaining to services, products, or marketing statements (example: It's Green Thinking™) are owned or licensed by CHAUVET®. Any other product names, logos, brands, company names, and other trademarks featured or referred to within this document are the property of their respective trademark holders.

Copyright Notice

CHAUVET® owns the content of this user manual in its entirety, including but not limited to pictures, logos, trademarks, and resources.

© Copyright 2012 CHAUVET®. All rights reserved.

Electronically published by CHAUVET® in the United States of America.

Manual Usage

CHAUVET® authorizes its customers to download and print this manual for professional information purposes only. CHAUVET® expressly prohibits the usage, copy, storage, distribution, modification, or printing of this manual or its content for any other purpose without its written consent.

Document Printing

For better results, print this document in color, on letter size paper (8.5 x 11 inches), double sided. If using A4 paper (210 x 297 mm), configure your printer to scale the content of this document to A4 paper.

Intended Audience

Any person in charge of installing, operating, and/or maintaining the COLORdash™ Par-Tri should read the guide that shipped with it as well as this manual in their entirety before installing, operating, or maintaining this product.

Disclaimer

CHAUVET® believes that the information contained in this manual is accurate in all respects. However, CHAUVET® assumes no responsibility for any error or omissions in this document. CHAUVET® reserves the right to revise this document and to make changes from time to time in the content hereof without obligation of CHAUVET® to notify any person or company of such revision or changes. This does not constitute in any way a commitment by CHAUVET® to make such changes. CHAUVET® may issue a revision of this manual or a new edition of it to incorporate such changes.

Document Revision

The COLORdash™ Par-Tri User Manual Rev. 03 supersedes all previous versions of this manual. Please discard any older versions of this manual you may have, whether in printed or electronic format, and replace them with this version.

Product at a Glance

Use on Dimmer	X	Auto Programs	P
Outdoor Use	X	Auto-ranging Power Supply	P
Sound Activated	X	Replaceable Fuse	P
DMX	P	User Serviceable	X
Master/Slave	P	Duty Cycle	X

Table of Contents

1. Before You Begin	1
What is Included	1
Unpacking Instructions	1
Typographic Conventions.....	1
Icons Conventions	1
Safety Notes	2
Expected LED Lifespan	2
2. Introduction	3
Product Description	3
Features	3
Additional Features.....	3
Options	3
DMX Channel Summary.....	3
Product Overview	4
3. Setup	5
AC Power	5
AC Plug	5
Power Linking	5
Fuse Replacement.....	5
DMX Linking	6
DMX Modes.....	6
Master/Slave Connectivity	6
ID Addressing	6
Mounting.....	7
Orientation	7
Rigging	7
4. Operation	8
Control Panel Description.....	8
Control Options.....	8
Programming	8
DMX Personality.....	8
DMX Control Without ID Addressing.....	8
DMX Control With ID Addressing.....	9
Static Color	9
Auto Programs.....	9
Edit Customs	9
Master/Slave.....	9
Color Settings	10
Control Panel Lock	10
Program Upload.....	10
Reset	10
Fan Speed	10
Menu Map.....	11
DMX Values.....	12
STAGE 1	12
STAGE 1 (Cont.).....	13
ARC1	13
ARC1 + D	13
5. Technical Information	14
General Maintenance	14
Troubleshooting Guide	15
Photometrics.....	16



Returns Procedure.....	17
Claims	17
Contact Us	17
Technical Specifications	18

1. Before You Begin

What is Included

- One COLORdash™ Par-Tri (with pre-installed barn doors)
- One power input cable with plug
- One power linking cable (6.6 ft/2 m)
- One set of replacement screws for barn doors removal
- One safety cable
- Warranty Card
- Quick Reference Guide

Unpacking Instructions




Immediately upon receiving this product, carefully unpack it and check the container in which you received it. Make sure that you have received all the parts indicated above and that they are all in good condition. If the material inside the container (this product and any other accessory included with it) appears damaged from shipping, or if the container shows signs of mishandling, notify the shipper immediately. In addition, retain the container and all the packing material for inspection.

See the *Claims* section in the *Technical Information* chapter.

Typographic Conventions

Convention	Meaning
1~512	A range of values in the text
50/60	A set of mutually exclusive values in the text
[10]	A DIP switch to be configured
<i>Claims</i>	A new term, or a section or chapter in this document
"COLORado™ UM"	The name of another publication or manual
<SET>	A button on the fixture's control panel
Settings	A fixture function or a menu option
MENU > Settings	A sequence of menu options
1~10	A range of menu values from which to choose in a menu
Yes/No	A set of two mutually exclusive menu options in a menu
ON	A unique value to entered or select in a menu

Icons Conventions

Icon	Meaning
	This icon indicates critical installation, configuration, or operation information. Failure to comply with this information may render the fixture partially or completely inoperative, damage third-party equipment, or cause harm to the user.
	This icon indicates important installation or configuration information. Failure to comply with this information may prevent the fixture from functioning correctly.
	This icon indicates useful, although non-critical information.



The term "DMX" used throughout this document refers to the USITT DMX512-A transmission protocol.

Safety Notes

Please read the following notes carefully because they include important safety information about the installation, usage, and maintenance of this product. It is important to read all these notes before starting to work with this product.



There are no user-serviceable parts inside this product. Any reference to servicing it you may find from now on in this User Manual will only apply to properly CHAUVET® certified technicians. Do not open the housing or attempt any repairs unless you are one of them.



Please refer to all applicable local codes and regulations for the proper installation of this product.



Keep this manual for future consultation. If you sell this product to another user, make sure that they also receive this manual.

Personal Safety

- Avoid direct eye exposure to the light source while the fixture is on.
- Always disconnect this product from its power source before servicing.
- Always connect this product to a grounded circuit to avoid the risk of electrocution.
- Do not touch this product's housing when operating because it may be hot.

Mounting and Rigging

- This product is for indoor use only! To prevent risk of fire or shock, do not expose this product to rain or moisture.
- Make sure there are no flammable materials close to this product while operating.
- When hanging this product, always secure it to a fastening device using a safety chain/cable (included).

Power and Wiring

- Always make sure that you are connecting this product to the proper voltage, as per the specifications in this manual or on the product's sticker.
- Never connect this product to a dimmer pack or rheostat.
- Never disconnect this product by pulling or tugging on the power cable.

Operation

- Do not operate this fixture if you see damage on the housing, lenses, or cables. In any of these cases, have the damaged parts replaced by an authorized technician at once.
- Do not cover the ventilation slots when the fixture is operating to avoid internal overheating.
- The maximum ambient temperature (Ta) is 104° F (40° C). Do not operate this product at a higher temperature.
- In case of a serious operating problem, stop using this product immediately!



In the unlikely event that your CHAUVET® product may require service, please contact CHAUVET® Technical Support.

Expected LED Lifespan

LEDs gradually decline in brightness over time, mostly because of heat. Packaged in clusters, LEDs exhibit higher operating temperatures than in ideal, single LED conditions. For this reason, using clustered LEDs at their fullest intensity significantly reduces the LEDs' lifespan. Under normal conditions, this lifespan can be 40,000 to 50,000 hours. If extending this lifespan is vital, lower the operating temperature by improving the ventilation around the product and reducing the ambient temperature to an optimal operating range. In addition, limiting the overall projection intensity may also help to extend the LEDs' lifespan.

2. Introduction

Product Description

The COLORdash™ Par-Tri is a tri-color LED based wash product. It consists of a single unit with seven tri-color LEDs and a double bracket yoke. In addition, this fixture comes with removable barn doors. The Power In and Power Out connectors are of the IEC type, while the DMX In and DMX Out connectors are 3-pin XLR locking sockets.

Features

- 3, 4, or 9-channel tri color LED wash fixture with ID addressing
- Operating modes:
 - 3-channel: RGB control
 - 4-channel: RGB, dimmer
 - 9-channel: RGB, dimmer, color macro, strobe, auto/custom, auto speed, ID addressing
- RGB color mixing with or without DMX control
- Automatic (pre-set) and custom (editable) programs
- Recall auto and custom programs via DMX
- Pre-programmed color macros
- Color temperature presets (3,200–8,500 K)
- Master/Slave operation
- Transfer custom programs between fixtures

Additional Features

- High-power, 3 W tri-color LEDs
- IEC power connectors
- Power linking: max 20 units @ 120 V (see the *Technical Specifications* section)
- Includes 6.6 ft (2 m) power extension cable
- 3-pin DMX input and output connectors
- LCD display with password protection
- Double bracket yoke for overhead or floor mounting
- Adjustable barn doors to direct output (includes gel frame)
- Additional threaded hole on rear for mounting (size M 10)

Options

- 33 ft (10 m) power extension cable (EXT-2)

DMX Channel Summary

STAGE 1

DMX Channel	Function
1	Dimmer
2	Red
3	Green
4	Blue
5	Macros
6	Strobe
7	Auto and custom programs
8	Auto program speed
9	ID addressing

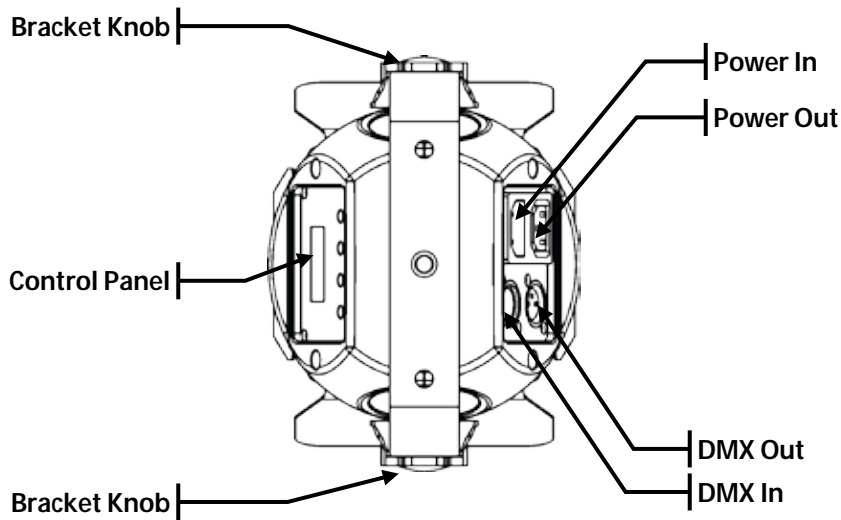
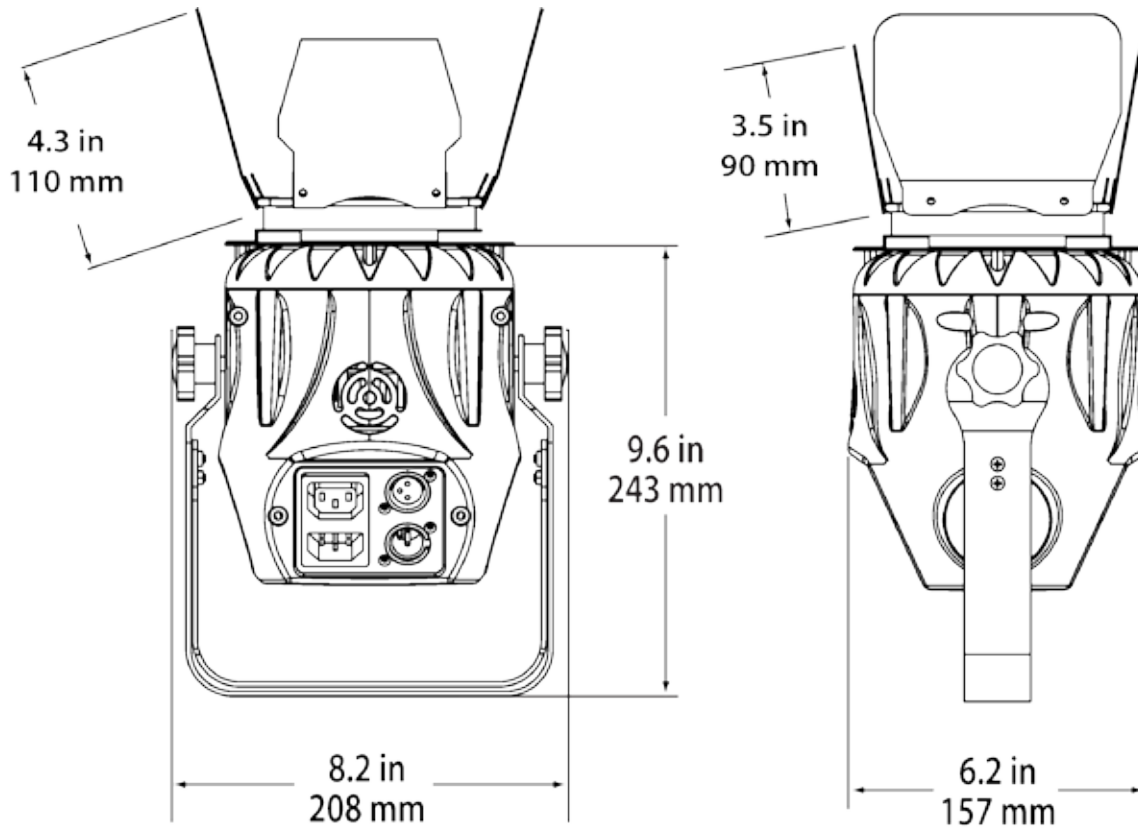
ARC1

DMX Channel	Function
1	Red
2	Green
3	Blue

ARC1 + D

DMX Channel	Function
1	Dimmer
2	Red
3	Green
4	Blue

Product Overview



3. Setup

AC Power

The COLORdash™ Par-Tri has an auto-ranging power supply that can work with an input voltage range of 100~240 VAC, 50/60 Hz.

Make sure that you are connecting this product to the proper voltage, as per the specifications in this guide, the product's user manual, or on the product's sticker.



Always connect the COLORdash™ Par-Tri to a protected circuit with an appropriate electrical ground to avoid the risk of electrocution or fire.

To determine the power requirements for the COLORdash™ Par-Tri see the label affixed to the fixture. Alternatively, you may refer to the corresponding specifications chart in the *Technical Information* chapter of this manual.

The listed current rating indicates the maximum current draw during normal operation. For more information, you may download the "Sizing the Circuit Breakers" document from the CHAUVET® website.



Never connect the COLORdash™ Par-Tri to a rheostat (variable resistor) or dimmer circuit, even if the rheostat or dimmer channel serves only as a 0 to 100% switch.

AC Plug

The COLORdash™ Par-Tri comes with an IEC power input cord terminated with an Edison plug (US market). If you need to change the Edison plug, use the table below to wire the new plug.

Connection	Wire (US)	Wire (Europe)	Screw Color
AC Live	Black	Brown	Yellow or Brass
AC Neutral	White	Blue	Silver
AC Ground	Green/Yellow	Green/Yellow	Green

Power Linking

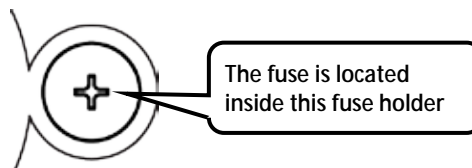
The COLORdash™ Par-Tri supports power linking for up to 20 other COLORdash™ Par-Tri fixtures at 120 VAC. This fixture comes with a power linking cord in addition to the power input cord.



Make sure to disconnect the fixture's power cord before replacing a blown fuse, and always replace it with a fuse of the same type and rating.

Fuse Replacement

- 1) With a Phillips #2 head screwdriver, unscrew the fuse holder cap from its housing.
- 2) Remove the blown fuse from the fuse holder cap and replace it with a good fuse of the exact same type and rating.
- 3) Screw the fuse holder cap back in its place and reconnect power.



DMX Linking

You may link any COLORdash™ Par-Tri fixture to a DMX controller using a standard DMX serial connection. If using other DMX compatible fixtures with a COLORdash™ Par-Tri fixture, it is possible to control them individually with a single DMX controller.

If you are not familiar with the DMX standard, or if you need information about the DMX cables needed to link the COLORdash™ Par-Tri fixture to a DMX controller, you may download the “DMX Primer” document from the CHAUVET® Web site.

DMX Modes

The COLORdash™ Par-Tri uses the standard DMX data connection for its **STAGE 1**, **ARC1**, and **ARC1 + D** DMX modes. You will find information about these DMX modes in the *Introduction* chapter (summary), the *Operation Instructions* chapter (configuration details), and the *DMX Values* section (individual channel values).

Master/Slave Connectivity

The Master/Slave mode allows a COLORdash™ Par-Tri fixture to control one or more a COLORdash™ Par-Tri fixtures without a DMX controller. The controlling fixture becomes the “master” when running an automatic or custom program, or by being in STATIC mode. The controlled fixtures are the “slaves” and you must set them to “SLAVE” mode from their respective control panels. During the Master/Slave operation, the slave fixtures will operate in unison with the master fixture.

The master and slave fixtures link to each other using the standard DMX serial connection. If you are not familiar with the Master/Slave connectivity, you may download the “DMX Primer” document from the CHAUVET® Web site.



DO NOT connect a DMX controller to the fixtures operating in Master/Slave mode. Otherwise, the signals from the DMX controller may interfere with the signals from the master unit.



The *Operation* chapter of this manual provides detailed instructions on how to configure the Master and Slave units.

ID Addressing

The COLORdash™ Par-Tri uses the ID Addressing feature to increase the number of addressable fixtures in the same DMX universe when in the **STAGE 1** personality. Refer to the *Operation* chapter in this manual to learn in detail how to configure the COLORdash™ Par-Tri fixtures when using ID Addressing. If you are not familiar with the various connection methods when using ID Addressing, you may download the “DMX Primer” document from the CHAUVET® Web site.

Mounting

Before mounting this fixture, read and follow the safety recommendations indicated in the *Safety Notes* section (page 2 of this manual).

Orientation

Always mount this fixture in any safe position while making sure that there is adequate room around it for ventilation, configuration, and maintenance.
 Make sure to mount this fixture away from any flammable material as indicated in the *Safety Notes* section.

Rigging

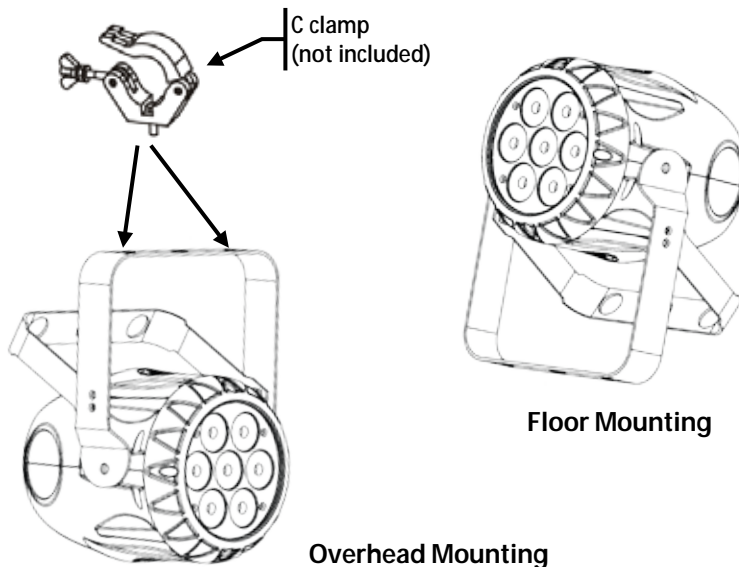
CHAUVET® recommends following the general guidelines below when mounting the COLORdash™ Par-Tri.

- When selecting an installation location, consider ease of access to the fixture for operation, programming adjustments, and routine maintenance.
- Never mount the fixture in places where rain, high humidity, extreme temperature changes, or restricted ventilation may affect it.
- If hanging this fixture, make sure that the location where you are mounting the fixture can support its weight. Please see the *Technical Specifications* section of this manual for the weight requirement of this fixture.

Procedure

The COLORdash™ Par-Tri comes with a double bracket yoke to which you can attach one or two “C” or “O” clamps. The yoke serves also as a floor mount support. You must supply your own “C” or “O” clamps as well as your own safety cable. Always make sure that make sure that the clamps and mounting points are capable of supporting the weight of this fixture. CHAUVET suggests using two clamps per fixture.

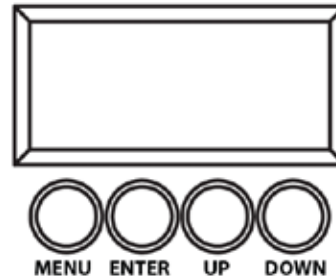
Product Mounting Diagram



4. Operation

Control Panel Description

Button	Function
<MENU>	Exits from the current menu or function
<ENTER>	Enables the currently displayed menu or sets the currently selected value in to the current function
<UP>	Navigates upwards through the menu list and increases the numeric value when in a function
<DOWN>	Navigates downwards through the menu list and decreases the numeric value when in a function



Control Options

You can set the COLORdash™ Par-Tri start address in the 001–512 DMX range. This allows for the control of up to 56 fixtures in the 9-channel STAGE 1 personality. In addition, the ID address system allows you to assign up to 66 fixtures for each starting DMX address, thus multiplying the number of fixtures you can control within a single universe. You can access the fixture's ID address system from channel 9 when in the STAGE 1 DMX personality.



When programming live performances as well as cues that need to trigger on demand or on a time line, program no more than 10 fixtures on ID addressing per DMX channel. This is to remain within a one-second execution time.

Programming

Carry out all the programming procedures indicated below from the control panel. Refer to the *Menu Map* on page 11 to learn how the menu options relate to each other.

To go to an option, press <MENU> repeatedly until the option shows on the display.

To select an option value, press <UP> or <DOWN> until you see the desired value and press <ENTER> to accept it.

To exit to the previous menu level, press <MENU>.

DMX Personality

This setting allows the user to choose a particular DMX personality.

- 1) Go to **PERSON**.
- 2) Select the desired personality (**STAGE 1**, **ARC1**, or **ARC1 + D**).

DMX Control Without ID Addressing

In this mode, each unit will respond to a unique starting address from the DMX controller. All units with the same starting address will respond at unison.

- 1) Select the **STAGE 1** personality as shown in *DMX Personality*.
- 2) Set the running mode:
 - a) Go to **RUN**.
 - b) Select **DMX**.
- 3) Set the starting address:
 - a) Go to **ADDRESS**.
 - b) Select the starting address (**001–512**).
- 4) Deactivate ID Addressing in each fixture:
 - a) Go to **SETTINGS**.
 - b) Select **ID ON/OFF**.
 - c) Select **OFF**.



Make sure to deactivate ID Addressing in each fixture when using the STAGE 1 personality. Otherwise, unintended results may occur if channel 9 is not set to "0".

DMX Control With ID Addressing

In this mode, the fixtures with the same DMX starting address will respond to the DMX controller based on the fixture's individual ID address setting. If the user selects ID address "0", all the fixtures with the same DMX address will respond in unison. Otherwise, each fixture will follow the control for its particular ID address.

- 1) Repeat steps **1**, **2**, and **3** from *DMX Control Without ID Addressing*.
- 2) Activate ID Addressing in each fixture:
 - a) Go to **SETTINGS**.
 - b) Select **ID ON/OFF**.
 - c) Select **ON**.

Static Color

The Static Color mode allows for permanent RGB color mixing without a DMX controller.

- 1) Go to **STATIC**.
- 2) Select the desired color (**RED**, **GREEN**, or **BLUE**).
- 3) Select the desired color value (**0-255**).
- 4) Repeat for the other two colors.
- 5) Select **STROBE**.
- 6) Select the desired frequency (**0-20**).

Auto Programs

Auto programs allow for dynamic RGB color mixing without a DMX controller.

- 1) Go to **AUTO**.
- 2) Select the desired auto program (**AUTO 01-10** or **CUSTOM 01-10**)
- 3) Select the speed (**SP 000-255**).



You cannot edit any of the auto programs (AUTO 01-10). However you can edit custom programs CUSTOM 01-10 (see *Edit Customs*).

Edit Customs

This setting allows the programming of up to 30 scenes for each of the 10 customizable programs, including colors and effects.

- 1) Go to **EDIT**.
- 2) Select the desired custom program (**CUSTOM 01-10**).
- 3) Select the desired scene (**SCENE 01-30**).
- 4) Select the desired color or effect (**RED**, **GREEN**, **BLUE**, **STROBE**, **TIME**, or **FADE**).
- 5) Select the color or effect value (**000-255** for colors and timers, or **00-20** for strobe).
- 6) Repeat for the other colors or effects.
- 7) Return to the **SCENE** level (step "3").
- 8) Repeat the settings of colors and effects for the other scenes.

Master/Slave

The Master/Slave mode allows a group of COLORdash™ Par-Tri fixtures (the slaves) to execute simultaneously the same program, whether auto or custom, that another COLORdash™ Par-Tri fixture (the master) is executing, and without a DMX controller.

- 1) Set the master unit:
 - a) Set the running mode to **DMX** as explained in "*DMX Control Without ID Addressing*".
 - b) Select an auto program as explained in "*Auto Programs*".
- 2) Set the slave units:
 - a) Go to **RUN**.
 - b) Select **SLAVE**.



The fixture that operates in Static mode or runs a program, whether automatic or custom, automatically becomes the master.



- **Do not connect a DMX controller to the master or slave fixtures.**
- **Never connect a fixture operating in Static, Auto, or Custom mode to a DMX universe**

Color Settings

The **COLOR** setting determines how the COLORdash™ Par-Tri generates the white color based on various RGB settings.

- 1) Go to **SETTINGS**.
- 2) Select **COLOR**.
- 3) Select **OFF** or **UC**.



OFF = When RGB are all set to “255”, output is maximum.

UC = RGB are set to match the intensity of older fixtures (Universal Color).

Control Panel Lock

This setting allows the user to activate or disable the control panel lock, which keeps non-authorized personnel from changing the fixture's settings.

- 1) Go to **PASSWORD**.
- 2) Select **ON** or **OFF**.



When the control panel lock is active, the fixture will prompt the user to enter the password after 30 seconds of control panel inactivity or after turning on the fixture.

After being prompted to enter the password:

- 1) Press **<UP>**, **<DOWN>**, **<UP>**, **<DOWN>**, and **<ENTER>**

Program Upload

This option allows the user to copy the custom programs of one COLORdash™ Par-Tri fixture onto other COLORdash™ Par-Tri fixtures by using the Master/Slave method

- 1) Configure and connect the fixtures in a Master/Slave arrangement, where the master unit has the custom programs you want to transfer onto the slave units.
- 2) At the master unit, go to **SETTINGS**.
- 3) Select **Upload Customs?**
- 4) When prompted, enter the master access password as shown in *Control Panel Lock*.
- 5) When **SEND** shows, press **<ENTER>** to start the upload.
- 6) Wait for the upload process to finish before disconnecting the fixtures.



• **During and after the upload, the master and slave units will visually indicate the status of the process, as follows:**

- **Yellow means that the upload is running.**
- **Red means that the upload failed due to an error.**
- **Green means that the upload completed successfully.**

Reset

This setting allows the user to reset the COLORdash™ Par-Tri fixture to its default values, including the custom programs.

- 1) Go to **SETTINGS**.
- 2) Select **Reset to Factory?**
- 3) When prompted, enter the master access password as shown in *Control Panel Lock*.
- 4) Wait for the reset process to finish.

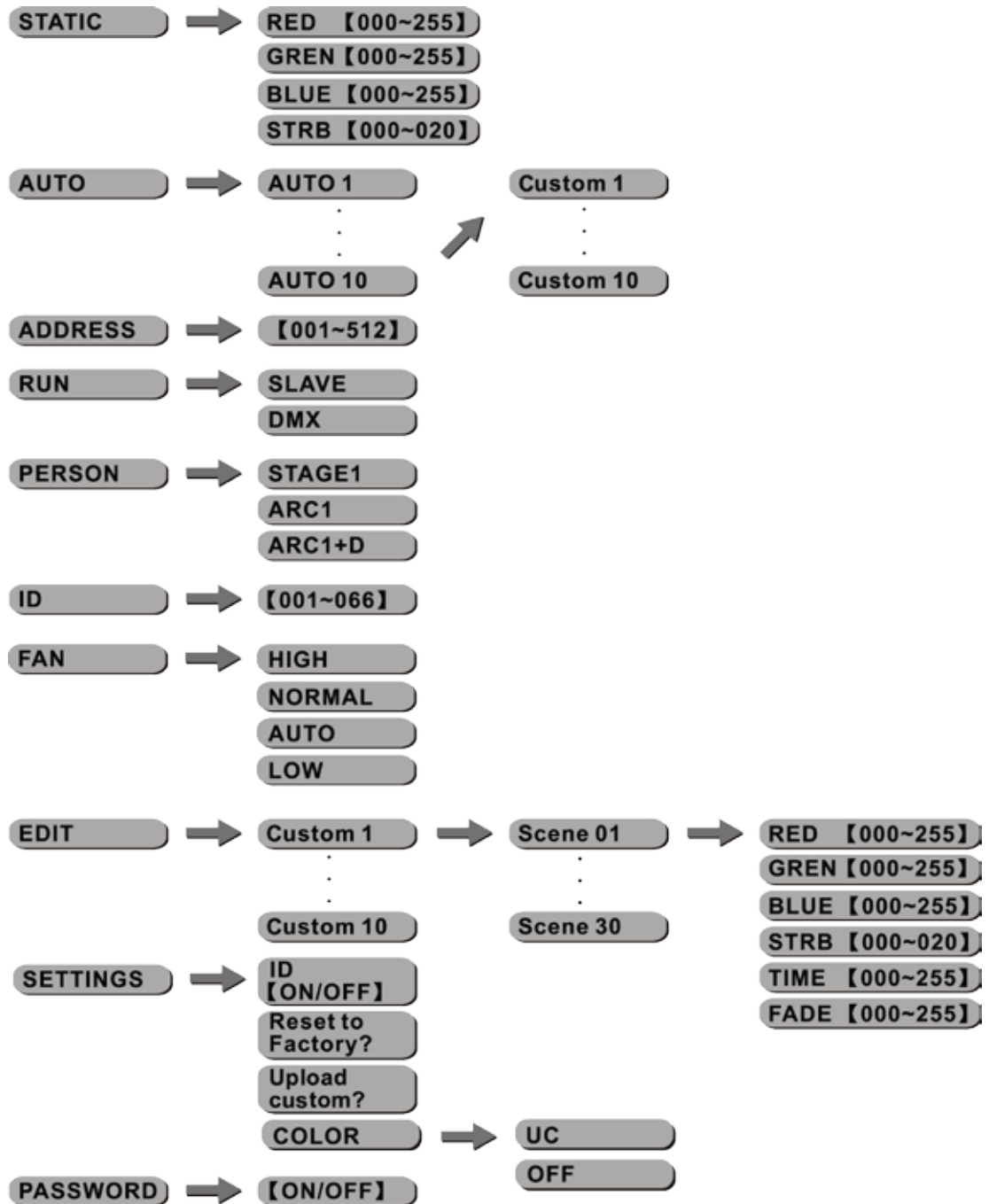
Fan Speed

- 1) Go to **FANS**.
- 2) Select **HIGH**, **NORMAL**, **AUTO**, or **LOW**.



Be aware that the fixture's controller may reset the fan speed from LOW or NORMAL to HIGH if the fixture's internal temperature is too high.

Menu Map



DMX Values

STAGE 1	Channel	Function	Value	Percent/Setting
	1	Dimmer	000 ∘ 255	0~100%
	2	Red	000 ∘ 255	0~100%
		Step Time		Only if playing a custom program (CUS 01~10)
	3	Green	000 ∘ 255	0~100%
		Fade Time		Only if playing a custom program (CUS 01~10)
	4	Blue	000 ∘ 255	0~100%
	5	Color Macro + White Balance	000 ∘ 010	No Function
			011 ∘ 035	R: 100% G: Up B: 0%
			036 ∘ 060	R: Down G: 100% B: 0%
			061 ∘ 085	R: 0% G: 100% B: Up
			086 ∘ 110	R: 0% G: Down B: 100%
			111 ∘ 135	R: Up G: 0% B: 100%
			136 ∘ 160	R: 100% G: 0% B: Down
			161 ∘ 185	R: 100% G: Up B: Up
			186 ∘ 210	R: Down G: Down B: 100%
			211 ∘ 215	White 1: 3,200 K
			216 ∘ 220	White 2: 3,400 K
			221 ∘ 225	White 3: 4,200 K
			226 ∘ 230	White 4: 4,900 K
			231 ∘ 235	White 5: 5,600 K
			236 ∘ 240	White 6: 5,900 K
	241 ∘ 245	White 7: 6,500 K		
	246 ∘ 250	White 8: 7,200 K		
	251 ∘ 255	White 9: 8,500 K		
	6	Strobe	000 ∘ 010	No Function
			011 ∘ 255	0~20 Hz
	7	Auto & Custom Programs	000 ∘ 020	No Function
			021 ∘ 030	Auto 1
			031 ∘ 040	Auto 2
			041 ∘ 050	Auto 3
			051 ∘ 060	Auto 4
			061 ∘ 070	Auto 5
			071 ∘ 080	Auto 6
			081 ∘ 090	Auto 7
			091 ∘ 100	Auto 8
			101 ∘ 110	Auto 9
			111 ∘ 120	Auto 10
			121 ∘ 130	Custom 1
			131 ∘ 140	Custom 2
			141 ∘ 150	Custom 3
			151 ∘ 160	Custom 4
			161 ∘ 170	Custom 5
			171 ∘ 180	Custom 6
	181 ∘ 190	Custom 7		
	191 ∘ 200	Custom 8		
	201 ∘ 210	Custom 9		
	211 ∘ 220	Custom 10		
	221 ∘ 255	No function		
	8	Auto Speed	000 ∘ 255	Only if playing an auto program (AUTO 01~10)

Continues on the next page

Continued from previous page

STAGE 1 (Cont.)	Channel	Function	Value	Setting	Value	Setting	Value	Setting
		9	ID Address	000 ○ 009	All IDs	212	ID 23	235
			010 ○ 019	ID 1	213	ID 24	236	ID 47
			020 ○ 029	ID 2	214	ID 25	237	ID 48
			030 ○ 039	ID 3	215	ID 26	238	ID 49
			040 ○ 049	ID 4	216	ID 27	239	ID 50
			050 ○ 059	ID 5	217	ID 28	240	ID 51
			060 ○ 069	ID 6	218	ID 29	241	ID 52
			070 ○ 079	ID 7	219	ID 30	242	ID 53
			080 ○ 089	ID 8	220	ID 31	243	ID 54
			090 ○ 099	ID 9	221	ID 32	244	ID 55
			100 ○ 109	ID 10	222	ID 33	245	ID 56
			110 ○ 119	ID 11	223	ID 34	246	ID 57
			120 ○ 129	ID 12	224	ID 35	247	ID 58
			130 ○ 139	ID 13	225	ID 36	248	ID 59
			140 ○ 149	ID 14	226	ID 37	249	ID 60
			150 ○ 159	ID 15	227	ID 38	250	ID 61
			160 ○ 169	ID 16	228	ID 39	251	ID 62
			170 ○ 179	ID 17	229	ID 40	252	ID 63
			180 ○ 189	ID 18	230	ID 41	253	ID 64
			190 ○ 199	ID 19	231	ID 42	254	ID 65
			200 ○ 209	ID 20	232	ID 43	255	ID 66
			210	ID 21	233	ID 44		
			211	ID 22	234	ID 45		

ARC1	Channel	Function	Value	Percent/Setting
	1	Red	000 ○ 255	0~100%
	2	Green	000 ○ 255	0~100%
	3	Blue	000 ○ 255	0~100%

ARC1 + D	Channel	Function	Value	Percent/Setting
	1	Dimmer	000 ○ 255	0~100%
	2	Red	000 ○ 255	0~100%
	3	Green	000 ○ 255	0~100%
	4	Blue	000 ○ 255	0~100%

5. Technical Information

General Maintenance

To maintain optimum performance and minimize wear, the user should clean the light fixtures frequently. Usage and environment are contributing factors in determining the cleaning frequency. As a rule, the user should clean the fixtures at least twice a month. Dust build up reduces light output performance and can cause overheating. This can lead to reduced light source life and increased mechanical wear.

CHAUVET® recommends cleaning the fixture's external optics with a soft cloth using normal glass cleaning fluid.

To clean a fixture, follow the recommendations below:

- Unplug the fixture from power.
- Wait until the fixture is cold.
- Use a vacuum (or dry compressed air) and a soft brush to remove dust collected on the external vents and reachable internal components.
- Clean all external optics and glass surfaces with a mild solution of glass cleaner or isopropyl alcohol, and a soft, lint free cotton cloth or a lens cleaning tissue.
- Apply the solution directly to the cloth or tissue and drag any dirt and grime to the outside of the lens.
- Gently polish the external glass surfaces until they are free of haze and lint.
- When cleaning units with a movable mirror, you should keep the contact with the mirror surface to a minimum to avoid scratching or damaging it.



Always dry the external optics and glass surfaces carefully after cleaning them.



If the fixture has one or more cooling fans, refrain from spinning them using compressed air.

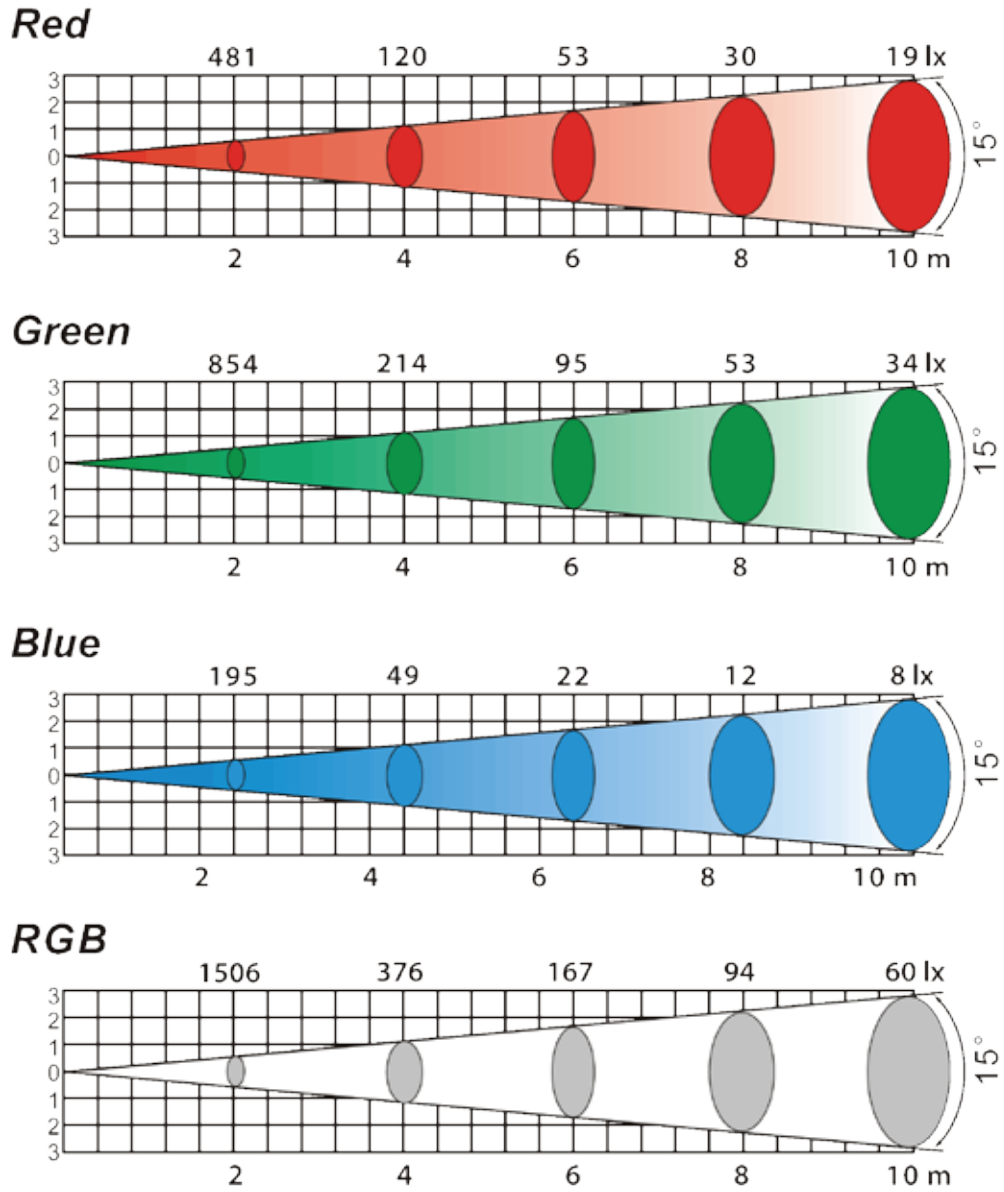
Troubleshooting Guide

Symptom	Cause(s)	Action(s)
Low light intensity	Dirty lens assembly Misaligned lens assembly	Clean the fixture regularly Install lens assembly properly
A single tri-color LED does not illuminate	Faulty LED Faulty LED board Faulty LED Driver board	Replace the LED board Replace the LED board Replace the LED Driver board
None of the tri-color LEDs illuminate	Faulty LED Driver board Faulty LED wiring Faulty Display board	Replace the LED Driver board Repair or replace wiring Replace the Display board
Breaker/Fuse keeps blowing	Excessive circuit load Short circuit along the power wires	Check total load placed on the electrical circuit Check for a short in the electrical wiring
Fixture does not power up	No power Loose or damaged power cord Blown fuse Faulty internal power supply	Check for power on power outlet Check power cord Replace fuse Replace internal power supply
Fixture does not respond to DMX	Wrong DMX addressing Damaged DMX cables Wrong polarity on the controller Loose DMX cables Faulty DMX interface Faulty Display/Main board	Check Control Panel and unit addressing Check DMX cables Check polarity switch settings on the controller Check cable connections Replace the Display/Main board Replace the Display/Main board
DMX signal problems	Non DMX cables Bouncing signals Long cable / low level signal Too many fixtures Interference from AC wires	Use only DMX compatible cables Install terminator as suggested Install an optically coupled DMX splitter right after the fixture with the strong signal Install an optically coupled DMX splitter after unit #32 or before Keep DMX cables separated from power cables or fluorescent/black lights



If you still experience technical problems after trying the above solutions, contact CHAUVET® Technical Support.

Photometrics



Returns Procedure

The user must send the merchandise prepaid, in the original box, and with its original packing and accessories. CHAUVET® will not issue call tags.

Call CHAUVET® and request a Return Merchandise Authorization Number (RMA #) before shipping the fixture. Be prepared to provide the model number, serial number, and a brief description of the cause for the return.

The user must clearly label the package with a Return Merchandise Authorization Number (RMA #). CHAUVET® will refuse any product returned without an RMA #.



DO NOT write the RMA # directly on the box. Instead, write it on a properly affixed label.

Once you receive the RMA #, please include the following information on a piece of paper inside the box:

- Your name
- Your address
- Your phone number
- The RMA #
- A brief description of the problem

Be sure to pack the fixture properly. Any shipping damage resulting from inadequate packaging will be the customer's responsibility. As a suggestion, proper UPS packing or double-boxing is always a safe method to use.



CHAUVET® reserves the right to use its own discretion to repair or replace returned product(s).

Claims

The carrier is responsible for any damage incurred during shipping to this product or any part that shipped with it. Therefore, if the received merchandise appears to have damages caused during shipping, the customer must submit the damage report and any related claims with the carrier, not CHAUVET®. The customer must submit the report upon reception of the damaged merchandise. Failure to do so in a timely manner may invalidate the customer's claim with the carrier.

For other issues such as missing components or parts, damage not related to shipping, or concealed damage, the customer must make claims to CHAUVET® within seven (7) days of receiving the merchandise.

Contact Us

World Headquarters

General Information

CHAUVET®
5200 NW 108th Avenue
Sunrise, FL 33351
Voice: (954) 929-1115
Fax: (954) 929-5560
Toll free: (800) 762-1084

Technical Support

Voice: (954) 929-1115 (Press 4)
Fax: (954) 756-8015

World Wide Web

www.chauvetlighting.com

Technical Specifications

Dimensions and Weight

Length	Width	Height	Weight
9.6 in (243 mm)	8.2 in (208 mm)	6.2 in (157 mm)	5.5 lbs (2.5 kg)

Note: Dimensions in inches rounded to the nearest decimal digit.

Power

Power Supply Type	Range	Voltage Selection
Switching (internal)	100~240 V, 50/60 Hz	Auto-ranging

Parameter	120 V, 60 Hz	230 V, 50 Hz
Consumption	32 W (0.4 A)	31 W (0.3 A)
Inrush current	0.1 A	0.3 A
Power linking	20 units	40 units

Power I/O	Input	Output
Connectors	IEC C14	IEC C13
Cord plugs	IEC C13 / Edison	IEC C14 / IEC C 13
Cord length	60 in (1,524 mm)	82 in (2,083 mm)

Light Source

Type	Power	Lifespan
LED	3 W	50,000 hours

Color	Quantity	Current
Tri-color (RGB)	7	1,050 mA per die (color) 3,150 mA per LED

Photo Optic

Parameter	Standard 17° Optics
Illuminance @ 2 m	1,113.58 lx
Beam angle	16.3°
Field angle	33.0°

Thermal

Maximum External Temp.	Cooling System
104° F (40° C)	Fan

DMX

I/O Connectors	Connector Type	Channel Range
3-pin XLR	Locking sockets	3, 4, or 9

Ordering

COLORdash™ Par-Tri	Power extension cable
COLORDASHPARTRI	EXT-2 (33 ft/10 m)



UL 1573
CSA C22.2 No. 166
E113093

CHAUVET®
5200 NW 108th Avenue
Sunrise, FL 33351 (USA)
(800) 762-1084 – (954) 929-1115
FAX (954) 929-5560
www.chauvetlighting.com

COLORdash™ Par-Tri User Manual Rev. 03
February 2012

COLORdash™ Par-Tri User Manual Rev. 03

