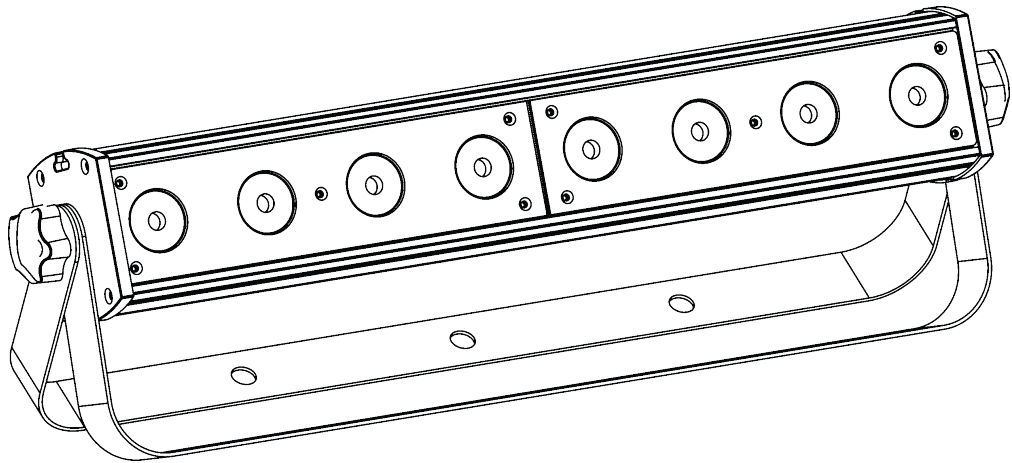


COLORdash™ Batter-Tri

User Manual




CHAUVET®

Edition Notes

The COLORdash™ Batten-Tri User Manual Rev. 02a covers the description, safety precautions, installation, programming, operation, and maintenance of the COLORdash™ Batten-Tri. CHAUVET® released this edition of the COLORdash™ Batten-Tri User Manual Rev. 02a in October 2010.

Trademarks

CHAUVET® is a registered trademark of CHAUVET & Sons Inc. (d/b/a CHAUVET® or Chauvet). The CHAUVET® logo in its entirety including the Chauvet name and the dotted triangle, and all other trademarks on this manual pertaining to services, products, or marketing statements (example: It's Green Thinking™) are owned or licensed by CHAUVET®. Any other product names, logos, brands, company names, and other trademarks featured or referred to within this document are the property of their respective trademark holders.

Copyright Notice

CHAUVET® owns the content of this user manual in its entirety, including but not limited to pictures, logos, trademarks, and resources.

© Copyright 2010 CHAUVET®. All rights reserved

Electronically published by CHAUVET® in the United States of America

Manual Usage

CHAUVET® authorizes its customers to download and print this manual for professional information purposes only. CHAUVET® expressly prohibits the usage, copy, storage, distribution, modification, or printing of this manual or its content for any other purpose without its written consent.

Document Printing

For better results, print this document in color, on letter size paper (8.5 x 11 inches), double sided. If using A4 paper (210 x 297 mm), configure your printer to scale the content of this document to A4 paper.

Intended Audience

Any person in charge of installing, operating, and/or maintaining the COLORdash™ Batten-Tri should read the guide that shipped with it as well as this manual in their entirety before installing, operating, or maintaining this product.

Disclaimer

CHAUVET® believes that the information contained in this manual is accurate in all respects. However, CHAUVET® assumes no responsibility for any error or omissions in this document. CHAUVET® reserves the right to revise this document and to make changes from time to time in the content hereof without obligation of CHAUVET® to notify any person or company of such revision or changes. This does not constitute in any way a commitment by CHAUVET® to make such changes. CHAUVET® may issue a revision of this manual or a new edition of it to incorporate such changes.

CHAUVET® Publications Hot Line

If you have any comments about the accuracy of this document or general suggestions regarding how we can improve it, please call us at (800) 762-1084 (US callers) or +1-954-929-1115 (international callers). You can download the latest versions of all CHAUVET® products' manuals from www.chauvetlighting.com.

Document Revision

The COLORdash™ Batten-Tri User Manual Rev. 02a supersedes all previous versions of this manual. Please discard any older versions of this manual you may have, whether in printed or electronic format, and replace them with this version.

Author	Editor	Manager	PD Manager
O. Desmonteix	D. Coupe	M. Graham	F. Sellers

Product at a Glance

Use on Dimmer	X	Auto Programs	P
Outdoor Use	X	Auto-ranging Power Supply	P
Sound Activated	X	Replaceable Fuse	P
DMX	P	User Serviceable	X
Master/Slave	P	Duty Cycle	X

Table of Contents

1. Before You Begin	1
What is Included	1
Unpacking Instructions	1
Typographic Conventions	1
Icon Meaning	1
Safety Notes	2
Expected LED Lifespan	2
2. Introduction	3
Product Description	3
Features	3
<i>Additional Features</i>	3
<i>Options</i>	3
DMX Channel Summary	4
Product Overview	5
3. Setup	6
AC Power	6
<i>AC Plug</i>	6
<i>Power Linking</i>	6
<i>Fuse Replacement</i>	6
DMX Linking	6
<i>DMX Modes</i>	6
<i>Master/Slave Connectivity</i>	6
Mounting	7
<i>Orientation</i>	7
<i>Rigging</i>	7
4. Operation	8
Control Panel Description	8
Control Options	8
Programming	8
<i>DMX Personality</i>	8
<i>DMX Control</i>	8
<i>Static Color</i>	8
<i>Auto Programs</i>	9
<i>Edit Customs</i>	9
<i>Master/Slave</i>	9
<i>Color Settings</i>	9
<i>Dimmer Curves</i>	10
<i>Control Panel Lock</i>	10
<i>Program Upload</i>	10
<i>Reset</i>	10
<i>Whites Setting</i>	11
<i>White Balance</i>	11
<i>Fan Setting</i>	11
TOUR Notes	12
Menu Map	13
DMX Values	14
<i>TOUR</i>	14
<i>PIXEL</i>	15
<i>ARC1</i>	16
<i>ARC1 + D</i>	16
<i>HSV</i>	16



5. Technical Information.....	17
General Maintenance	17
Photometrics	17
Troubleshooting Guide	18
Exploded View.....	19
Returns Procedure	20
Claims	20
Contact Us.....	20
Technical Specifications.....	21

1. Before You Begin

What is Included

- One COLORdash™ Batten-Tri
- One power input cord
- Warranty Card
- Quick Reference Guide

Unpacking Instructions




Immediately upon receiving this product, carefully unpack it and check the container in which you received it. Make sure that you have received all the parts indicated above and that they are all in good condition. If the material inside the container (this product and any other accessory included with it) appears damaged from shipping, or if the container shows signs of mishandling, notify the shipper immediately. In addition, retain the container and all the packing material for inspection.

See the *Claims* section in the *Technical Information* chapter.

Typographic Conventions

Convention	Meaning
1~512	A range of values in the text
50/60	A set of mutually exclusive values in the text
[10]	A DIP switch to be configured
<i>Claims</i>	A new term, or a section or chapter in this document
“COLORado™ UM”	The name of another publication or manual
<SET>	A button on the fixture’s control panel
Settings	A fixture function or a menu option
MENU > Settings	A sequence of menu options
1~10	A range of menu values from which to choose in a menu
Yes/No	A set of two mutually exclusive menu options in a menu
ON	A unique value to entered or select in a menu

Icon Meaning

Icon	Meaning
	This icon indicates critical installation, configuration, or operation information. Failure to comply with this information may render the fixture partially or completely inoperative, damage third-party equipment, or cause harm to the user.
	This icon indicates important installation or configuration information. Failure to comply with this information may prevent the fixture from functioning correctly.
	This icon indicates useful, although non-critical information.



The term “DMX” used throughout this document refers to the USITT DMX512-A transmission protocol.

Safety Notes

Please read the following notes carefully because they include important safety information about the installation, usage, and maintenance of this product.

It is important to read all these notes before starting to work with this product.



There are no user serviceable parts inside this product. Any reference to servicing it you may find from now on in this User Manual will only apply to properly CHAUVET® certified technicians. Do not open the housing or attempt any repairs unless you are one of them.



Please refer to all applicable local codes and regulations for the proper installation of this product.



Keep this manual for future consultation. If you sell this product to another user, make sure that they also receive this manual.

Personal Safety

- Avoid direct eye exposure to the light source while the fixture is on.
- Always disconnect this product from its power source before servicing.
- Always connect this product to a grounded circuit to avoid the risk of electrocution.
- Do not touch this product's housing when operating because it may be hot.

Mounting and Rigging

- This product is for indoor use only! To prevent risk of fire or shock, do not expose this product to rain or moisture.
- Make sure there are no flammable materials close to this product while operating.
- When hanging this product, always secure it to a fastening device using a safety chain/cable (not included).

Power and Wiring

- Always make sure that you are connecting this product to the proper voltage, as per the specifications in this manual or on the product's sticker.
- Never connect this product to a dimmer pack or rheostat.
- Never disconnect this product by pulling or tugging on the power cable.

Operation

- Do not operate this fixture if you see damage on the housing, lenses, or cables. In any of these cases, have the damaged parts replaced by an authorized technician at once.
- Do not cover the ventilation slots when the fixture is operating to avoid internal overheating.
- The maximum ambient temperature (Ta) is 104° F (40° C). Do not operate this product at a higher temperature.
- In case of a serious operating problem, stop using this product immediately!



In the unlikely event that your CHAUVET® product may require service, please contact CHAUVET® Technical Support.

Expected LED Lifespan

LEDs gradually decline in brightness over time, mostly because of heat. Packaged in clusters, LEDs exhibit higher operating temperatures than in ideal or singular optimum conditions. For this reason, using all color LEDs at their fullest intensity significantly reduces the LEDs' lifespan. Under normal conditions, this lifespan can be of 40,000 to 50,000 hours. If extending this lifespan expectancy is vital, lower the operational temperature by improving fixture ventilation and reducing the external temperature. In addition, limiting the overall projection intensity may also help to extend the LEDs life.

2. Introduction

Product Description

The COLORdash™ Batten-Tri is a tri-color LED based linear wash light. It consists of a rectangular housing with eight high-power, tri-color LEDs arranged in a single row. It comes with a double bracket yoke that serves for hanging and floor mounting. The COLORdash™ Batten-Tri features IEC power connectors for Power In and Power Out. It also has standard 3-pin XLR sockets for DMX In and DMX Out.

Features

- 3, 4, 11, or 24-channel tri-color LED wash system with ID addressing
- Operating modes:
 - 3-channel: HSV control
 - 3-channel: RGB control
 - 4-channel: RGB, dimmer
 - 11-channel: RGB, dimmer, color macro, strobe, auto/custom/fan speed, auto program speed, module select, ID addressing, dimmer speed
 - 24-channel: RGB control per tri-color LED
- RGB color mixing with or without DMX control
- Individual tri-color LED control
- Pre-programmed color macros
- Color temperature presets (3,200~10,000 K)
- Access automated and custom programs via DMX
- Custom program editing

Additional Features

- Five distinct dimming curves
- Additional power output: max 12 units @ 120 V (see manual for details)
- LCD display with password protection
- User selectable fan speed control
- 3-pin DMX input and output connectors
- Double-bracket yoke doubles as floor stand
- Color Calibration

Options

- 33 ft (10 m) power extension cable (EXT-2)

DMX Channel Summary

<i>Tour</i>	DMX Channel	Function
	1	Master dimmer
	2	Red
	3	Green
	4	Blue
	5	Color macro
	6	Strobe
	7	Auto + custom program + fan control
	8	Auto program speed
	9	Dimmer speed
	10	Block

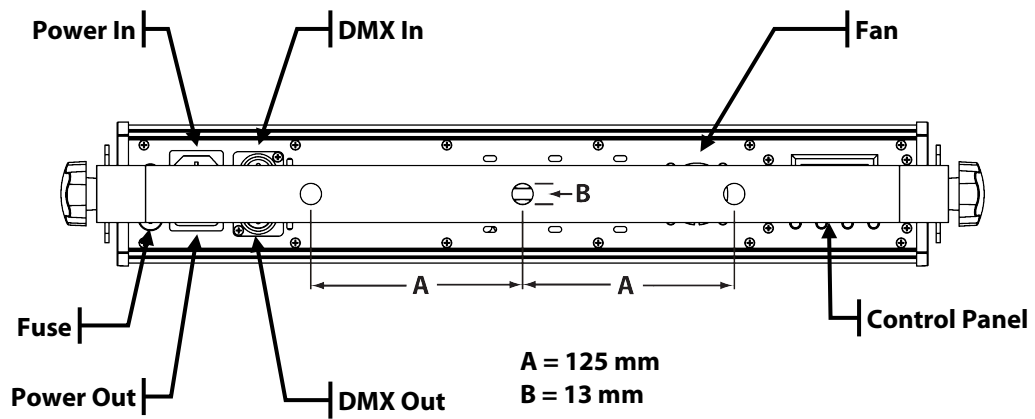
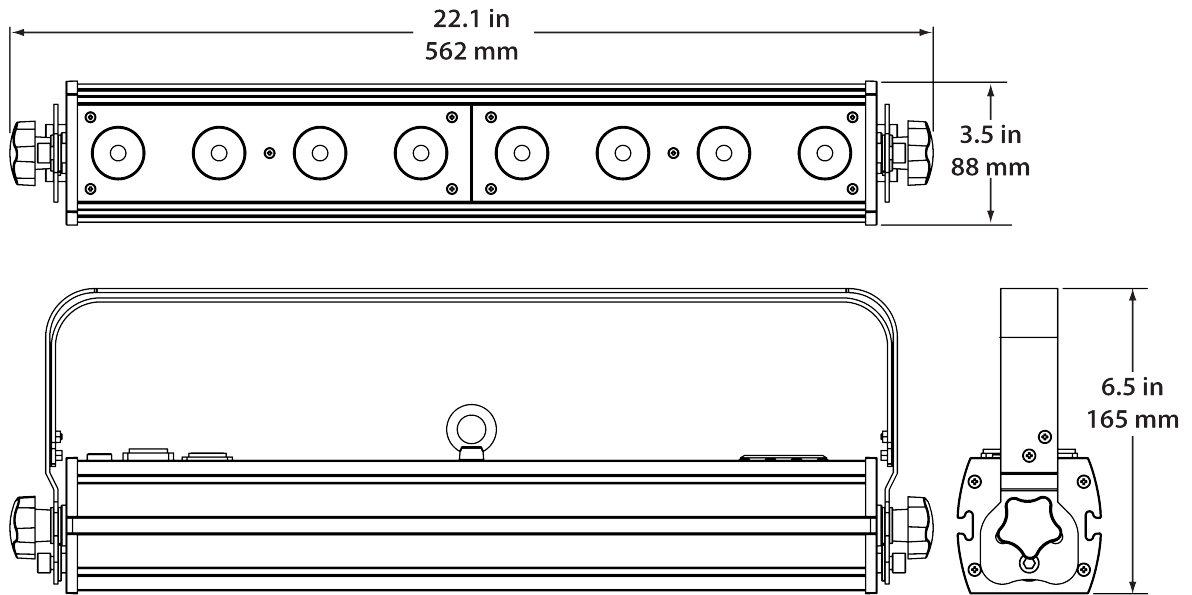
<i>Pixel</i>	DMX Channel	Function
	1	Pixel 1 (red)
	2	Pixel 1 (green)
	3	Pixel 1 (blue)
	4	Pixel 2 (red)
	5	Pixel 2 (green)
	6	Pixel 2 (blue)
	7	Pixel 3 (red)
	8	Pixel 3 (green)
	9	Pixel 3 (blue)
	10	Pixel 4 (red)
	11	Pixel 4 (green)
	12	Pixel 4 (blue)
	13	Pixel 5 (red)
	14	Pixel 5 (green)
	15	Pixel 5 (blue)
	16	Pixel 6 (red)
	17	Pixel 6 (green)
	18	Pixel 6 (blue)
	19	Pixel 7 (red)
	20	Pixel 7 (green)
	21	Pixel 7 (blue)
	22	Pixel 8 (red)
	23	Pixel 8 (green)
	24	Pixel 8 (blue)

<i>ARC 1</i>	DMX Channel	Function
	1	Red
	2	Green
	3	Blue

<i>ARC 1 + D</i>	DMX Channel	Function
	1	Master dimmer
	2	Red
	3	Green
	4	Blue

<i>HSV</i>	DMX Channel	Function
	1	Hue
	2	Saturation
	3	Value

Product Overview



3. Setup

AC Power

The COLORdash™ Batten-Tri has an auto-ranging power supply that can work with an input voltage range of 100–240 VAC, 50/60 Hz.

Make sure that you are connecting this product to the proper voltage, as per the specifications in this guide, the product's user manual, or on the product's sticker.



Always connect the COLORdash™ Batten-Tri to a protected circuit with an appropriate electrical ground to avoid the risk of electrocution or fire.

To determine the power requirements for the COLORdash™ Batten-Tri see the label affixed to the side of the fixture. Alternatively, you may refer to the corresponding specifications chart in the *Technical Information* chapter of this manual.

The listed current rating indicates the maximum current draw during normal operation. For more information, you may download the “Sizing the Circuit Breakers” document from the CHAUVET® Web site.



Never connect the COLORdash™ Batten-Tri to a rheostat (variable resistor) or dimmer circuit, even if the rheostat or dimmer channel serves only as a 0 to 100% switch.

AC Plug

The COLORdash™ Batten-Tri comes with a power input cord terminated with an IEC connector on one end and an Edison plug on the other end (US market). If the power cord that came with your fixture has no plug or you need to change the Edison plug, use the table below to wire the new plug.

Connection	Wire (US)	Wire (Europe)	Screw Color
AC Live	Black	Brown	Yellow or Brass
AC Neutral	White	Blue	Silver
AC Ground	Green/Yellow	Green/Yellow	Green



Make sure to disconnect the fixture's power cord before replacing a blown fuse, and always replace it with a fuse of the same type and rating.

Power Linking

The COLORdash™ Batten-Tri supports power linking for up to 12 other similar fixtures at 120 VAC. Although this fixture comes with a power input cord, it comes with no power linking cord. However, a power linking cable is available as an option.

Fuse Replacement

- 1) With a Phillips #2 head screwdriver, unscrew the fuse holder cap from its housing.
- 2) Remove the blown fuse and replace it with a good fuse of the same type and rating.
- 3) Screw the fuse holder cap back in its place and reconnect power.

DMX Linking

You may link any COLORdash™ Batten-Tri fixture to a DMX controller using a standard DMX serial connection. If using other DMX compatible fixtures with a COLORdash™ Batten-Tri fixture, it is possible to control them individually with a single DMX controller.

If you are not familiar with the DMX standard, or if you need information about the DMX cables needed to link the COLORdash™ Batten-Tri fixture to a DMX controller, you may download the “DMX Primer” document from the CHAUVET® Web site.

DMX Modes

The COLORdash™ Batten-Tri uses the standard DMX data connection for its DMX modes, TOUR, PIXEL, ARC1, ARC1 + D, and HSV. You will find information about these DMX modes in the *Introduction* chapter (brief description), the *Operation Instructions* chapter (configuration details), and the *DMX Values* section (individual channel values).

Master/Slave Connectivity

The Master/Slave mode allows a COLORdash™ Batten-Tri fixture to control one or more COLORdash™ Batten-Tri fixtures without a DMX controller. The controlling fixture becomes the “master” when running an Auto/Custom program or by being in STATIC mode. The controlled fixtures are the “slaves” and you must set them to “SLAVE” mode from their respective control panels. During the Master/Slave operation, the slave fixtures will operate in unison with the master fixture.

Continues on the next page

Continued from previous page

Master/Slave Connectivity (Cont.)

The master and slave fixtures link to each other using the standard DMX serial connection. If you are not familiar with the Master/Slave connectivity, you may download the “DMX Primer” document from the CHAUVET® Web site.



DO NOT connect a DMX controller to the fixtures operating in Master/Slave mode. Otherwise, the signals from the DMX controller may interfere with the signals from the master unit.



The *Operation* chapter of this manual provides detailed instructions on how to configure the Master and Slave units.

Mounting

Before mounting this fixture, read and follow the safety recommendations indicated in the *Safety Notes* section (page 2 of this manual).

Orientation

Always mount this fixture in any safe position while making sure that there is adequate room around it for ventilation, configuration, and maintenance.

Make sure to mount this fixture away from any flammable material as indicated in the *Safety Notes* section.

Rigging

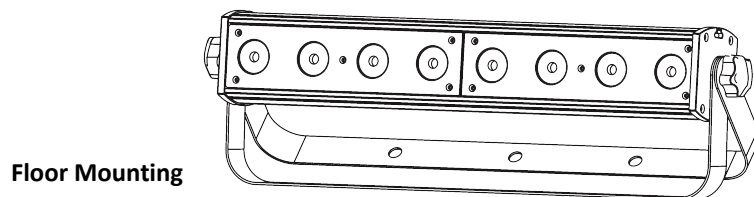
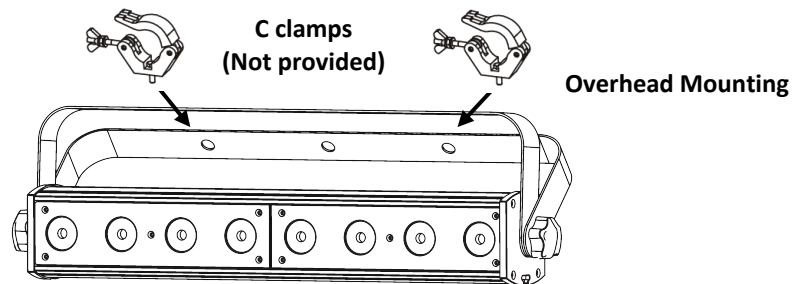
CHAUVET® recommends following the general guidelines below when mounting the COLORdash™ Batten-Tri.

- When selecting an installation location, consider ease of access to the fixture for operation, programming adjustments, and routine maintenance.
- Never mount the fixture in places where rain, high humidity, extreme temperature changes, or restricted ventilation may affect it.
- If hanging this fixture, use a safety cable (not included) and make sure that the location where you are mounting the fixture can support its weight. Please see the *Technical Specifications* section of this manual for the weight requirement of this fixture.

Procedure

The COLORdash™ Batten-Tri comes with a double bracket yoke to which you can attach “C” or “O” clamps. This bracket also serves as a floor or wall mount support. You must supply your own “C” or “O” clamps and make sure that they are capable of supporting the weight of this fixture. You should use two mounting points per fixture.

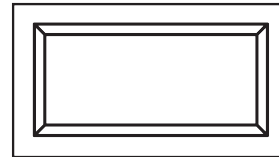
Product Mounting Diagram



4. Operation

Control Panel Description

Button	Function
<MENU>	Exits from the current menu or function
<ENTER>	Enables the currently displayed menu or sets the currently selected value in to the current function
<UP>	Navigates upwards through the menu list and increases the numeric value when in a function
<DOWN>	Navigates downwards through the menu list and decreases the numeric value when in a function



Control Options

You can set the COLORdash™ Batten-Tri start address in the 001~512 DMX range. This allows for the control of up to 46 fixtures in the 11-channel TOUR personality. In addition, the ID address system allows you to assign up to 66 fixtures for each starting DMX address, thus multiplying the number of fixtures you can control within a single universe. You can access the fixture's ID address system from channel 10 when in the TOUR DMX personality.



When programming live performances as well as cues that need to trigger on demand or on a time line, program no more than 10 fixtures on ID addressing per DMX channel. This is to remain within a one-second execution time.

Programming

Carry out all the programming procedures indicated below from the control panel. Refer to the *Menu Map* on page 13 to learn how the menu options relate to each other.

To go to an option, press <MENU> repeatedly until the option shows on the display.

To select an option value, press <UP> or <DOWN> until you see the desired value and press <ENTER> to accept it.

To exit to the previous menu level, press <MENU>.

DMX Personality

This setting allows the user to choose a particular DMX personality.

- 1) Go to **PERSON**.
- 2) Select the desired personality (**TOUR**, **PIXEL**, **ARC1**, **ARC1 + D**, or **HSV**).

DMX Control

After selecting the DMX personality, select the following:

- 1) Set the running mode:
 - a) Go to **RUN**.
 - b) Select **DMX**.
- 2) Set the starting address:
 - a) Go to **ADDRESS**.
 - b) Select the starting address (**001~512**).

Static Color

The Static Color mode allows for permanent RGB color mixing without a DMX controller.

- 1) Go to **STATIC**.
- 2) Select the desired color (**RED**, **GREEN**, or **BLUE**).
- 3) Select the desired color value (**0~255**).
- 4) Repeat for the other two colors.
- 5) Select **STROBE**.
- 6) Select the desired frequency (**0~20**).

Continues on the next page

Continued from previous page

Auto Programs

Auto programs allow for dynamic RGB color mixing without a DMX controller.

- 1) Go to **AUTO**.
- 2) Select the desired auto program (**AUTO 01~10** or **CUSTOM 01~10**)
- 3) Select the speed (**SP 000~255**).



You cannot edit any of the auto programs (AUTO 01~10). However you can edit custom programs CUSTOM 01~10 (see *Edit Customs*).

Edit Customs

This setting allows the programming of up to 30 scenes for each of the 10 customizable programs, including colors and effects.

- 1) Go to **EDIT**.
 - a) Select the desired custom program (**CUSTOM 01~10**).
 - b) Select the desired scene (**SCENE 01~30**).
 - c) Select the desired color or effect (**RED, GREEN, BLUE, STROBE, TIME, or FADE**).
 - d) Select the color or effect value (**000~255** for colors and timers, or **00~20** for strobe).
 - e) Repeat for the other colors or effects.
 - f) Return to the **SCENE** level (step "3").
- 2) Repeat the settings of colors and effects for the other scenes.

Master/Slave

The Master/Slave mode allows a group of COLORdash™ Batten-Tri fixtures (the slaves) to execute simultaneously the same program, whether auto or custom, that another COLORdash™ Batten-Tri fixture (the master) is executing, and without a DMX controller.

- 1) Set the master unit:
 - a) Set the running mode to **DMX** as explained in "*DMX Control Without ID Addressing*".
 - b) Select an auto program as explained in "*Auto Programs*".
- 2) Set the slave units:
 - a) Go to **RUN**.
 - b) Select **SLAVE**.



- The fixture that is set to run a program, whether Auto or Custom, or to operate in Static mode automatically becomes the master.
- Do not connect a DMX controller to the master or slave fixtures.

Color Settings

The **COLOR** setting determines how the COLORdash™ Batten-Tri generates the white color based on various RGB settings.

- 1) Go to **SETTINGS**.
- 2) Select **COLOR**.
- 3) Select **OFF, RGB TO W, or UC**.



- When Color is "OFF", setting the RGB faders to "255" produces a maximum output, although the resulting color may not be a balanced white.
- When Color is "RGB TO W", setting the RGB faders to "255" produces an output as defined by the configured White color (see *Whites Setting*).
- When Color is "UC", setting the RGB faders to "255" produces an output that matched that of older fixtures (Universal Color).

Continues on the next page

Continued from previous page

Dimmer Curves

This setting determines the output of the COLORdash™ Batten-Tri based on the position of the Red, Green, Blue, and Dimmer faders.

- 1) Go to **SETTINGS**.
- 2) Select **DIMMER**.
- 3) Select a dimmer curve (**OFF**, **DIM1**, **DIM2**, **DIM3**, or **DIM4**).



- When Dim is set to “OFF”, the output is proportional (linear) to the Dimmer and RGB channel values.
- When Dim is set to “DIM1” through “DIM4”, the output follows the Dimmer and RGB channel values based on the corresponding dimmer curve, being DIM1 the fastest and DIM4 the slowest.

Control Panel Lock

This setting allows the user to activate or disable the control panel lock, which keeps non-authorized personnel from changing the fixture’s settings.

- 1) Go to **KEYLOCK**.
- 2) Select **ON** or **OFF**.



When the control panel lock is active, the fixture will prompt the user to enter the password after 30 seconds of control panel inactivity or after turning on the fixture.

After being prompted to enter the password:

- 1) Press **<UP>**, **<DOWN>**, **<UP>**, **<DOWN>**, and **<ENTER>**

Program Upload

This option allows the user to copy the custom programs of one COLORdash™ Batten-Tri fixture onto other COLORdash™ Batten-Tri fixtures by using the Master/Slave method

- 1) Configure and connect the fixtures in a Master/Slave arrangement, where the master unit has the custom programs you want to transfer onto the slave units.
- 2) At the master unit, go to **SETTINGS**.
- 3) Select **UPLOAD**.
- 4) When prompted, enter the master access password as shown in *Control Panel Lock*.
- 5) When **SEND** shows, press **<ENTER>** to start the upload.
- 6) Wait for the upload process to finish before disconnecting the fixtures.



- **During and after the upload, the master and slave units will visually indicate the status of the process, as follows:**
- **Yellow** means that the upload is running.
- **Red** means that the upload failed due to an error.
- **Green** means that the upload completed successfully.

Reset

This setting allows the user to reset the COLORdash™ Batten-Tri fixture to its default values, including the custom programs.

- 1) Go to **SETTINGS**.
- 2) Select **RESET**.
- 3) When prompted, enter the master access password as shown in *Control Panel Lock*.
- 4) Wait for the reset process to finish.

Default Values

Parameter	Default Value	Parameter	Default Value
STATIC	000	DIMMER	DIM4
ADDRESS	001	COLOR	OFF
RUN	DMX	EDIT	000
PERSON	TOUR	FANS	AUTO
ID	001	KEYLOCK	OFF
ID ON/OFF	ON		

Continues on the next page

Continued from previous page

Whites Setting

This setting allows the user to select and edit the temperature of the white colors used in channel 5 (Macros) when in the TOUR mode.

- 1) Go to **CALIB1**.
- 2) Select a white color (**WHITE 01~11**).
- 3) Select a color (**RED, GREEN, or BLUE**).
- 4) Select a color value (**0~255**).
- 5) Repeat for the other colors.

White Balance

This setting allows the user to define the maximum RGB values (white balance) when **RGB to White** is active.

- 1) Go to **CALIB2**.
- 2) Select **RGB TO W**.
- 3) Select a color (**RED, GREEN, or BLUE**).
- 4) Select a color value (**0~255**).
- 5) Repeat for the other colors.



The values of **RED, GREEN, and BLUE** configured from **CALIB2 > RGB TO W** will define the color temperature shown when the RGB faders are set to "255" if **SETTING > COLOR > RGB TO W** is active.

Fan Setting

- 1) Press **<MENU>** repeatedly until **FANS** shows, and press **<ENTER>** to accept.
- 2) Use **<UP>** or **<DOWN>** to select a setting (**OFF, LOW, NORMAL, HIGH, or AUTO**).



- When in **AUTO**, the fan speed automatically changes so the fixture's temperature does not exceed the upper limit.
- When in the other settings, the fan speed follow the predefine values.
- The internal controller will override any manual setting if the internal temperature rises above a certain level.

End of Programming

TOUR Notes

These notes intent to clarify the way the TOUR DMX personality works.

Master Dimmer

- Channel 1 controls the intensity of the currently projected color.
- When the slider is at the highest position (**255**) the intensity of the output is at its maximum.

Red, Green, & Blue Color Selection

- Channels 2, 3, and 4 control the intensity ratio of each of the Red, Green, and Blue, LEDs.
- When the slider is at the highest position (**255**), the intensity of each color is at its maximum if **SETTINGS > COLOR** is **OFF**.
- You can combine channels 2, 3, and 4 to create over 16 million colors.

Color Macros

- Channel 5 selects the required color macro.
- Channel 5 has priority over channels 2, 3, and 4.
- Channel 1 controls the intensity of the color macro.

Strobe

- Channel 6 controls the strobe frequency (not the intensity) of channels 2~5.
- Channel 6 strobes channels 2, 3, and 4 when not running macros, allowing the individual faders (R, G, and B) as well as channel 1 (D) to control the output intensity.
- Channel 6 strobes channel 5 when running macros, allowing channel 5 to select the macro and channel 1 to control the output intensity.

Auto

- Channel 7 selects the fans speed, the preset auto programs **AUTO 01~10**, or the custom programs **CUSTOM 01~10**.
- When activating the custom programs **CUSTOM 01~10**, it is possible to control the Step Time and Fade Time functions using channels 2 and 3 respectively.
- Channel 7 has priority over channels 1, 2, 3, 4, 5, and 6 when running auto programs.
- Channel 8 determines the speed at which the auto programs run.

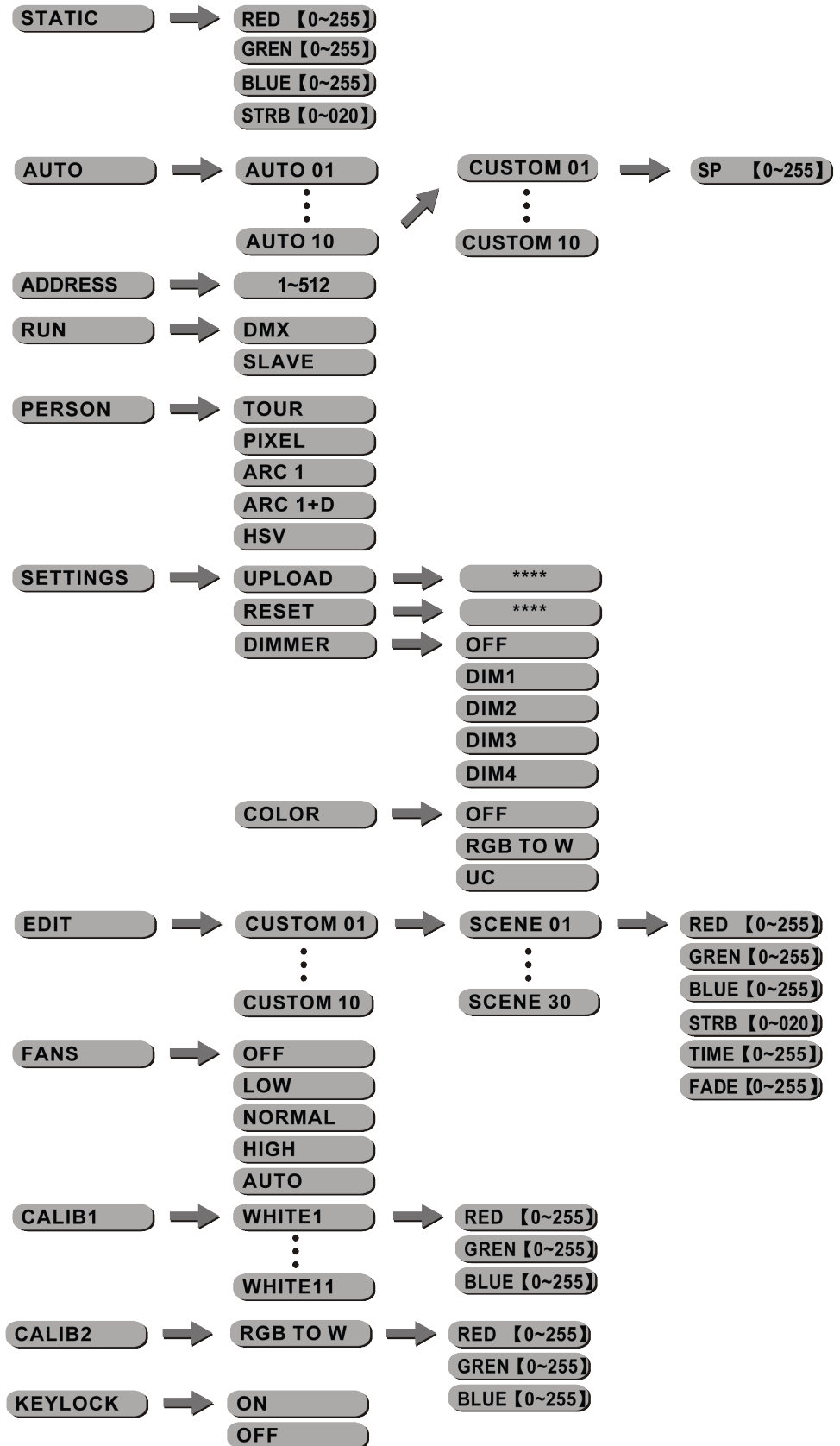
Dimmer Speed

- Channel 9 selects the dimmer mode and speed. When **DIMMER** is set to **OFF**, R, G, B, and Master Dimmer are linear. Otherwise, DIM1 is the fastest dimmer curve, while DIM4 is the slowest.

Block

- Channel 10 controls the Block function.
- Each tri-color LED is a "block".
- Each of the eight blocks has a red, green, and blue LED.
- The Block function only selects which blocks are active, not their light output.
- When using blocks, channel 1 controls the general intensity, while channels 2, 3, and 4 control the individual color (RGB) intensity.
- The RGB settings apply to all active blocks simultaneously.
- For individual RGB control for each block, select the PIXEL personality.

Menu Map



DMX Values

<i>TOUR</i>	Channel	Function	Value	Percent/Setting
	1	Dimmer	000 ∘ 255	0~100%
	2	Red	000 ∘ 255	0~100%
		Step Time		Only when playing a custom program (CUS. 01~10)
	3	Green	000 ∘ 255	0~100%
		Fade Time		Only when playing a custom program (CUS. 01~10)
	4	Blue	000 ∘ 255	0~100%
	5	Color Macro + White Balance	000 ∘ 010	No function
			011 ∘ 030	R: 100% G: Up B: 0%
			031 ∘ 050	R: Down G: 100% B: 0%
			051 ∘ 070	R: 0% G: 100% B: Up
			071 ∘ 090	R: 0% G: Down B: 100%
			091 ∘ 110	R: Up G: 0% B: 100%
			111 ∘ 130	R: 100% G: 0% B: Down
			131 ∘ 150	R: 100% G: Up B: Up
			151 ∘ 170	R: Down G: Down B: 100%
			171 ∘ 200	R: 100% G: 100% B: 100% W: 100%
			201 ∘ 205	White 1: 3,200 K
			206 ∘ 210	White 2: 3,400 K
			211 ∘ 215	White 3: 4,200 K
			216 ∘ 220	White 4: 4,900 K
			221 ∘ 225	White 5: 5,600 K
			226 ∘ 230	White 6: 5,900 K
			231 ∘ 235	White 7: 6,500 K
	236 ∘ 240	White 8: 7,200 K		
	241 ∘ 245	White 9: 8,000 K		
	246 ∘ 250	White 10: 8,500 K		
	251 ∘ 255	White 11: 10,000 K		
	6	Strobe	000 ∘ 009	No function
			010 ∘ 255	1~20 Hz
	7	Auto + Custom Programs + Fan Control	000 ∘ 010	No function
			011 ∘ 020	Fans Off (hold 3 s)
			021 ∘ 030	Fans Low (hold 3 s)
			031 ∘ 040	Fans High (hold 3 s)
			041 ∘ 050	Fans Normal (hold 3 s)
			051 ∘ 060	Fans Auto (hold 3 s)
			061 ∘ 070	Auto 1
			071 ∘ 080	Auto 2
			081 ∘ 090	Auto 3
			091 ∘ 100	Auto 4
			101 ∘ 110	Auto 5
			111 ∘ 120	Auto 6
			121 ∘ 130	Auto 7
			131 ∘ 140	Auto 8
			141 ∘ 150	Auto 9
			151 ∘ 160	Auto 10
			161 ∘ 170	Custom 1
			171 ∘ 180	Custom 2
			181 ∘ 190	Custom 3
			191 ∘ 200	Custom 4
	201 ∘ 210	Custom 5		
	211 ∘ 220	Custom 6		
	221 ∘ 230	Custom 7		
	231 ∘ 240	Custom 8		
	241 ∘ 250	Custom 9		
	251 ∘ 255	Custom 10		
	8	Auto Speed	000 ∘ 255	Only when playing an auto program (AUTO 01~10)
	9	Dimmer Speed	000 ∘ 009	Dimmer speed as per Control Panel
			010 ∘ 029	Linear dimmer
			030 ∘ 069	Non-linear dimmer 1 (fastest)
			070 ∘ 129	Non-linear dimmer 2
			130 ∘ 189	Non-linear dimmer 3
	190 ∘ 255	Non-linear dimmer 4 (slowest)		

Continues on the next page

Continued from previous page

<i>TOUR (Cont.)</i>	Channel	Function	Value	Percent/Setting
	10	Block Selection	000 ○ 004	Blocks 1, 2, and 3
			005 ○ 034	Block 1
			035 ○ 064	Block 2
			065 ○ 094	Block 3
			095 ○ 124	Blocks 1 and 2
			125 ○ 154	Blocks 2 and 3
			155 ○ 184	Blocks 1 and 3
			185 ○ 214	Blocks 1, 2, and 3
			215 ○ 255	No Function

<i>PIXEL</i>	Channel	Function	Value	Percent/Setting
	1	Pixel 1 - Red	000 ○ 255	0~100%
	2	Pixel 1 - Green	000 ○ 255	0~100%
	3	Pixel 1 - Blue	000 ○ 255	0~100%
	4	Pixel 2 - Red	000 ○ 255	0~100%
	5	Pixel 2 - Green	000 ○ 255	0~100%
	6	Pixel 2 - Blue	000 ○ 255	0~100%
	7	Pixel 3 - Red	000 ○ 255	0~100%
	8	Pixel 3 - Green	000 ○ 255	0~100%
	9	Pixel 3 - Blue	000 ○ 255	0~100%
	10	Pixel 4 - Red	000 ○ 255	0~100%
	11	Pixel 4 - Green	000 ○ 255	0~100%
	12	Pixel 4 - Blue	000 ○ 255	0~100%
	13	Pixel 5 - Red	000 ○ 255	0~100%
	14	Pixel 5 - Green	000 ○ 255	0~100%
	15	Pixel 5 - Blue	000 ○ 255	0~100%
	16	Pixel 6 - Red	000 ○ 255	0~100%
	17	Pixel 6 - Green	000 ○ 255	0~100%
	18	Pixel 6 - Blue	000 ○ 255	0~100%
	19	Pixel 7 - Red	000 ○ 255	0~100%
	20	Pixel 7 - Green	000 ○ 255	0~100%
	21	Pixel 7 - Blue	000 ○ 255	0~100%
	22	Pixel 8 - Red	000 ○ 255	0~100%
	23	Pixel 8 - Green	000 ○ 255	0~100%
	24	Pixel 8 - Blue	000 ○ 255	0~100%

ARC1	Channel	Function	Value	Percent/Setting
	1	Red	000 ◊ 255	0~100%
	2	Green	000 ◊ 255	0~100%
	3	Blue	000 ◊ 255	0~100%

ARC1 + D	Channel	Function	Value	Percent/Setting
	1	Master Dimmer	000 ◊ 255	0~100%
	2	Red	000 ◊ 255	0~100%
	3	Green	000 ◊ 255	0~100%
	4	Blue	000 ◊ 255	0~100%

HSV	Channel	Function	Value	Percent/Setting
	1	Hue	000 ◊ 255	0~100%
	2	Saturation	000 ◊ 255	0~100%
	3	Value	000 ◊ 255	0~100%



- “Hue” refers to the visible light, such as red, yellow, and cyan, etc.
- “Saturation” indicates the dominance of hue in the color; when saturation is at 100%, the color is at its purest.
- “Value” is the color’s brightness; when value is at 100%, the color is at its brightest.

5. Technical Information

General Maintenance

To maintain optimum performance and minimize wear, the user should clean the light fixtures frequently. Usage and environment are contributing factors in determining the cleaning frequency. As a rule, the user should clean the fixtures at least twice a month. Dust build up reduces light output performance and can cause overheating. This can lead to reduced light source life and increased mechanical wear.

CHAUVET® recommends cleaning the fixture's external optics with a soft cloth using normal glass cleaning fluid.

To clean a fixture, follow the recommendations below:

- Unplug the fixture from power.
- Wait until the fixture is cold.
- Use a vacuum (or dry compressed air) and a soft brush to remove dust collected on the external vents and reachable internal components.
- Clean all external optics and glass surfaces with a mild solution of glass cleaner or isopropyl alcohol, and a soft, lint free cotton cloth or a lens cleaning tissue.
- Apply the solution directly to the cloth or tissue and drag any dirt or grime to the outside of the lens.
- Gently polish the external glass surfaces until they are free of haze and lint.
- When cleaning units with a movable mirror, you should keep the contact with the mirror surface to a minimum to avoid scratching or damaging it.



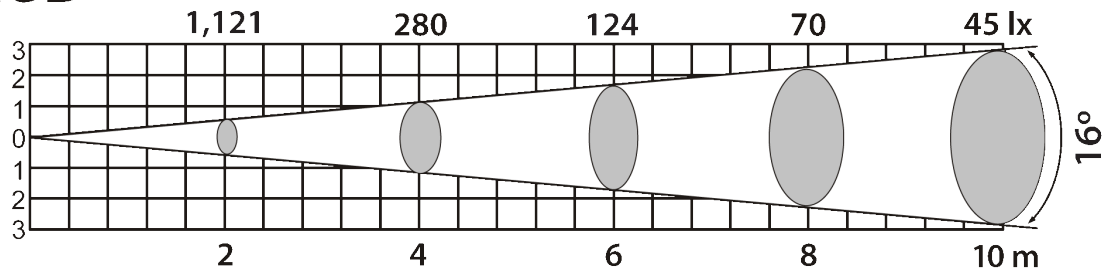
Always dry the external optics and glass surfaces carefully after cleaning them.



If the fixture has one or more cooling fans, refrain from spinning them using compressed air.

Photometrics

RGB



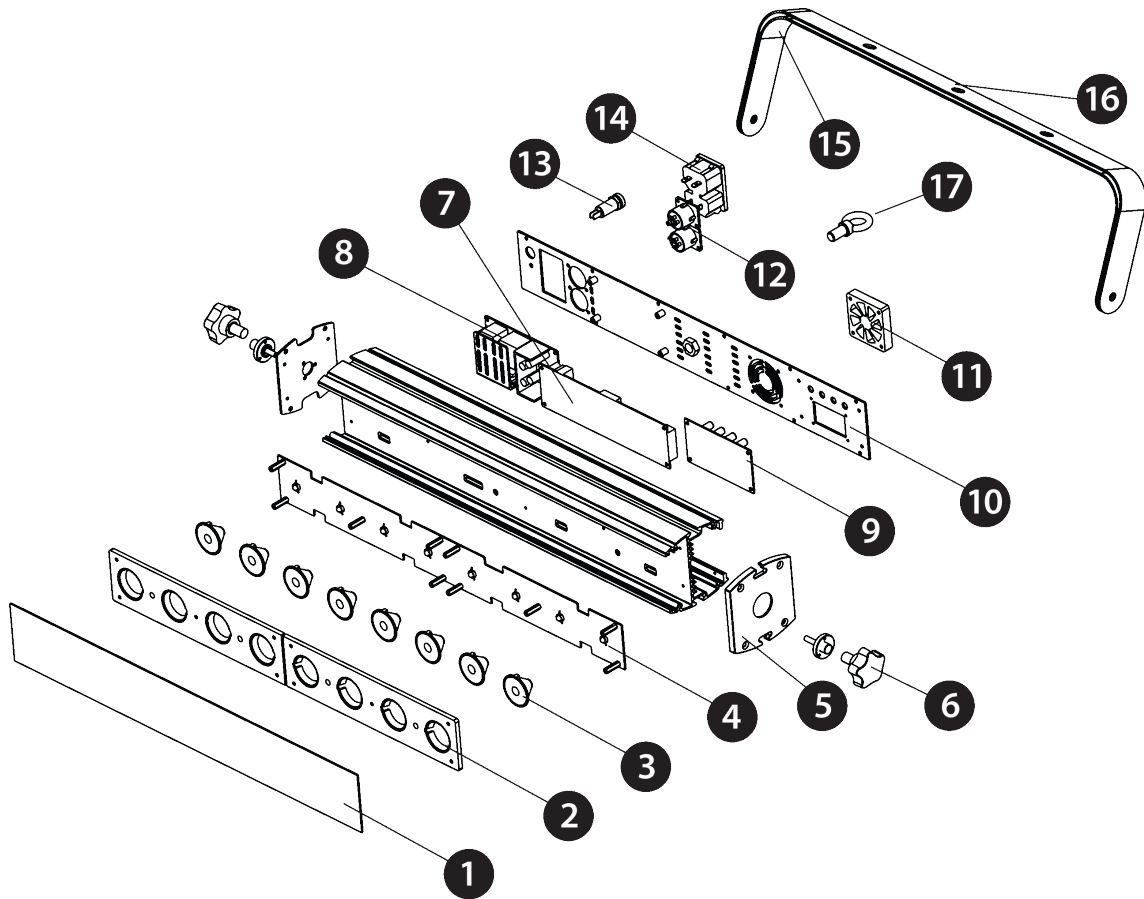
Troubleshooting Guide

Symptom	Cause(s)	Action(s)
Low light intensity	<ul style="list-style-type: none"> Dirty lens Misaligned lens 	<ul style="list-style-type: none"> Clean the fixture regularly Install lens properly
A single tri-color LED does not illuminate	<ul style="list-style-type: none"> Faulty LED Faulty LED wiring Faulty LED board Faulty LED Driver board 	<ul style="list-style-type: none"> Replace the LED board Repair or replace wiring Replace the LED board Replace the LED Driver board
None of the tri-color LEDs illuminate	<ul style="list-style-type: none"> Faulty LED Driver board Faulty Display board 	<ul style="list-style-type: none"> Replace the LED Driver board Replace the Display board
Breaker/Fuse keeps blowing	<ul style="list-style-type: none"> Excessive circuit load Short circuit along the power wires 	<ul style="list-style-type: none"> Check total load placed on the electrical circuit Check for a short in the electrical wiring
Fixture does not power up	<ul style="list-style-type: none"> No power Loose or damaged power cord Blown fuse Faulty internal power supply 	<ul style="list-style-type: none"> Check for power on power outlet Check power cord Replace fuse Replace internal power supply
Fixture does not respond to DMX	<ul style="list-style-type: none"> Wrong DMX addressing Damaged DMX cables Wrong polarity on the controller Loose DMX cables Faulty DMX interface Faulty Display/Main board 	<ul style="list-style-type: none"> Check Control Panel and unit addressing Check DMX cables Check polarity switch settings on the controller Check cable connections Replace the Display/Main board Replace the Display/Main board
DMX signal problems	<ul style="list-style-type: none"> Non DMX cables Bouncing signals Long cable / low level signal Too many fixtures Interference from AC wires 	<ul style="list-style-type: none"> Use only DMX compatible cables Install terminator as suggested Install an optically coupled DMX splitter right after the fixture with the strong signal Install an optically coupled DMX splitter after unit #32 or before Keep DMX cables separated from power cables or fluorescent/black lights



If you still experience technical problems after trying the above solutions, contact CHAUVET® Technical Support.

Exploded View



Item	Description
1	Clear front plate
2	Lens holder
3	Individual lenses (8)
4	LED board
5	Side panel (2)
6	Tilt adjust knob (2)
7	LED driver board
8	Power supply
9	Display board
10	Back cover
11	Fan
12	3-pin XLR socket
13	Fuse holder
14	EIA power socket
15	Secondary bracket
16	Main bracket
17	Safety loop

Returns Procedure

The user must send the merchandise prepaid, in the original box, and with its original packing and accessories. CHAUVET® will not issue call tags.

Call CHAUVET® and request a Return Merchandise Authorization Number (RMA #) before shipping the fixture. Be prepared to provide the model number, serial number, and a brief description of the cause for the return.

The user must clearly label the package with a Return Merchandise Authorization Number (RMA #). CHAUVET® will refuse any product returned without an RMA #.



DO NOT write the RMA # directly on the box. Instead, write it on a properly affixed label.

Once you receive the RMA #, please include the following information on a piece of paper inside the box:

- Your name
- Your address
- Your phone number
- The RMA #
- A brief description of the problem

Be sure to pack the fixture properly. Any shipping damage resulting from inadequate packaging will be the customer's responsibility. As a suggestion, proper UPS packing or double-boxing is always a safe method to use.



CHAUVET® reserves the right to use its own discretion to repair or replace returned product(s).

Claims

The carrier is responsible for any damage incurred during shipping to this product or any part that shipped with it. Therefore, if the received merchandise appears to have damages caused during shipping, the customer must submit the damage report and any related claims with the carrier, not CHAUVET®. The customer must submit the report upon reception of the damaged merchandise. Failure to do so in a timely manner may invalidate the customer's claim with the carrier.

For other issues such as missing components or parts, damage not related to shipping, or concealed damage, the customer must make claims to CHAUVET® within seven (7) days of receiving the merchandise.

Contact Us

World Headquarters

General Information

CHAUVET®
 5200 NW 108th Avenue
 Sunrise, FL 33351
 Voice: (954) 929-1115
 Fax: (954) 929-5560
 Toll free: (800) 762-1084

Technical Support

Voice: (954) 929-1115 (Press 4)
 Fax: (954) 756-8015

World Wide Web

www.chauvetlighting.com

Technical Specifications

Dimensions and Weight

Length	Width	Height	Weight
22.1 in (562 mm)	3.5 in (88 mm)	6.5 in (165 mm)	6.8 lbs (3.1 kg)

Note: Dimensions in inches rounded to the nearest decimal digit.

Power

Power Supply Type	Range	Voltage Selection
Switching (internal)	100~240 V, 50/60 Hz	Auto-ranging

Parameter	120 V, 60 Hz	230 V, 50 Hz
Consumption	38 W (0.56 A)	36 W (0.3 A)
Inrush current	0.3 A	0.3 A

Power I/O	Input	Output
Connectors	IEC	IEC
Cord plug	Edison	N/A

Fuse Type	Fuse Rating	Fuse Size
Glass	F 1.5 A (fast blow)	20 mm

Light Source

Type	Power	Lifespan
LED	3 W	50,000 hours

Color	Quantity	Current
Tri-color (RGB)	8	1,050 mA per die

Photo Optic

Parameter	Standard 16° Optics
Illuminance @ 2 m	1,121 lx
Beam angle	17°
Field angle	33°

Thermal

Maximum External Temp.	Cooling System
104° F (40° C)	Fan

DMX

I/O Connectors	Connector Type	Channel Range
3-pin XLR	Sockets	3, 4, 11, and 24

Ordering

COLORdash™ Batten-Tri COLORDASHBATTENTRI
--



CONFORMS TO
UL STD. 1573

CERTIFIED TO
CSA STD. C22.2
No. 166

3144482

CHAUVET®
5200 NW 108th Avenue
Sunrise, FL 33351 (USA)
(800) 762-1084 – (954) 929-1115
FAX (954) 929-5560
www.chauvetlighting.com

COLORdash™ Batten-Tri User Manual Rev. 02a
October 2010



It's Green Thinking