



Model UN performing at the 2009
South by Southwest Music and Media Conference
in Austin, TX



THE LOUD SPEAKER COMPANY

For over 50 years, the name Cerwin-Vega! has been synonymous with excellence in every area of the audio experience. This reputation has been established by Pro Audio professionals, Hi Fi enthusiasts, and Mobile Audio fans that recognize the high performance value that defines Cerwin-Vega! Cerwin-Vega's customer loyalty is second to none, and has reached nearly cult-like status. As a result of this acceptance, Cerwin-Vega! has grown from a small group of engineers, headed by the legendary Gene Czerwinski, into one of the foremost loudspeaker companies.

In 1954, Gene Czerwinski, then a brilliant young aerospace engineer, founded Cerwin-Vega! Why start a loudspeaker company? Always a music fan first, Gene's goal was to reproduce the live musical experience. His design philosophy was based on high efficiency drivers, durability, and "value for the money products."

In the early seventies Cerwin-Vega's reputation for big, powerful sound led to relationships with legendary bands and artists that included The Rolling Stones, Boom Town Rats, David Bowie, Peter Frampton, and Emerson Lake and Palmer. Over the next decade Cerwin-Vega! evolved its loudspeaker designs and engineering excellence, resulting in speaker systems that established a solid reputation for offering the widest dynamic range, highest efficiency, highest output level and the best bass response in the industry. This reputation reached new heights in 1974, when the motion picture "Earthquake" premiered with a dramatic innovation in sound known as "Sensurround." The concept required powerful bass cabinets which would shake the movie theater, thus simulating a real earthquake. In recognition of this audio innovation, "Sensurround" technology and Cerwin-Vega! were honored with an Academy Award for Special Technical Achievement.

The Cerwin-Vega! dynasty lives on today, leveraging our bass legacy, yet incorporating today's advanced materials technology to achieve continued design innovation. Cerwin-Vega! creates professional loudspeakers that are rugged and powerful, that focus on monstrous yet balanced bass, with a sound and look that is totally unique. Own a Cerwin-Vega! speaker and you become one of the family; a family that is dedicated to making sure you are seen and heard, and one that takes as much pride in delivering a solid product and performance as you do.

But there is more to the story... Visit us at www.cerwin-vega.com to see and hear about the latest Cerwin-Vega! products. Listen to our customers tell you their stories about Cerwin-Vega's legendary sound and performance, take in-depth tours of our products and technology, and let us guide you in selecting the perfect speakers for your gig, your music and your life.

Cerwin-Vega! The **LOUD** Speaker company.



FOLDED HORNS

Cerwin-Vega! Folded Horns: Often Imitated, Never Duplicated

Cerwin-Vega's folded horn subwoofers are THE standard when it comes to folded horns. These subwoofers combine advanced design, superior speaker technology and precision manufacturing to deliver a product that is truly a sonic experience. The Cerwin-Vega! folded horns have been acoustically optimized to achieve high output and low distortion while maintaining clarity and impact. Special attention to rear chamber, throat geometry, and horn profile results in a folded horn design that doesn't exhibit the typical horn coloration of competing products. Cerwin-Vega! folded horns contain a longer sound path which amplifies the bass frequencies while keeping the enclosure compact in size for portability. The path length and flare rate deliver bone crushing low-end down to 29 Hz.

Many companies attempt to duplicate Cerwin-Vega's performance in folded horns, but ultimately they all fall (and sound) flat. A great folded horn is as much about the loudspeaker driver design as it is about the cabinet geometry. Cerwin-Vega! is the ONLY company (in our not so humble, 50+ years of experience opinion) to get all of these factors perfectly tuned and balanced. A Cerwin-Vega! folded horn plays louder, sounds better and will stick with you longer than the "clones."

Brutally Efficient

Cerwin-Vega! folded horns, on average, produce 6 dB more output at 1 watt than ported direct fire subwoofers. This results in two times the SPL output with half the number of drivers. System costs are drastically reduced due to the need for fewer cabinets. Powering far fewer cabinets yields large cost savings in amplification. The net result is loud sub bass that moves enough air to blow the hairpiece off the competition. If you do pair the folded horns, you'll get the added benefit of an increased horn mouth area effectively extending the low frequency range and mutual low frequency coupling, which doubles the low frequency amplitude. The result? A mind-blowing level of bass performance like nothing you've experienced.

Ready for Roadies

Of course, the C-Series folded horn systems have integrated wheels and a new Cerwin-Vega! ergonomic handle for increased portability. The ergonomic design allows the C-Series to be moved by a single person. Even the mighty TS-42 folded horn is designed to pass through standard doorways with ease.



TS-42

21" Cerwin-Vega! Stroker woofer w / carbon-fiber reinforced cone
Frequency Response: -3 dB 35 Hz – 215 Hz / -10 dB 33 Hz – 230 Hz
Power Capacity: 1000W RMS / 2000W Program / 4000W Peak
Recommended Power: 1500 w – 2000 w @ 8 ohms
Input Connectors: Speakon (2)
Sensitivity (1 w / 1 m): 108 dB
Nominal Impedance: 8 ohms
Dimensions (H x W x D): 42.5" x 24" x 45.3"
108 cm x 61 cm x 115 cm
Net Weight: 228.5 lbs / 103.6 kg



AB-36C

18" Cerwin-Vega! Stroker woofer w / carbon-fiber reinforced cone
Frequency Response: -3 dB 40 Hz – 310 Hz / -10 dB 33 Hz – 350 Hz
Power Capacity: 800W RMS / 1600W Program / 3200W Peak
Recommended Power: 1200 w – 1600 w @ 8 ohms
Input Connectors: ¼", Speakon
Sensitivity (1 w / 1 m): 108 dB
Nominal Impedance: 8 ohms
Dimensions (H x W x D): 36" x 24" x 36"
91.4 cm x 61 cm x 91.4 cm
Net Weight: 156.3 lbs / 70.9 kg



EL-36C

Custom 18" Cerwin-Vega! woofer
Frequency Response: -3 dB 39 Hz – 310 Hz / -10 dB 35 Hz – 350 Hz
Power Capacity: 500W RMS / 1000W Program / 2000W Peak
Recommended Power: 750 w – 1000 w @ 8 ohms
Input Connectors: ¼", Speakon
Sensitivity (1 w / 1 m): 106 dB
Nominal Impedance: 8 ohms
Dimensions (H x W x D): 36" x 24" x 36"
91.4 cm x 61 cm x 91.4 cm
Net Weight: 159.3 lbs / 72.2 kg



JE-36C

Custom 18" Cerwin-Vega! woofer
Frequency Response: -3 dB 44 Hz – 281 Hz / -10 dB 37.5 Hz – 335 Hz
Power Capacity: 500W RMS / 1000W Program / 2000W Peak
Recommended Power: 750 w – 1000 w @ 8 ohms
Input Connectors: ¼", Speakon
Sensitivity (1 w / 1 m): 106 dB
Nominal Impedance: 8 ohms
Dimensions (H x W x D): 36" x 24" x 24"
91.4 cm x 61 cm x 61 cm
Net Weight: 121 lbs / 54.9 kg



The TS-42 delivers massive sound without an unwieldy cabinet thanks to it's efficient design. It fits easily through doors and can be moved by a single person.

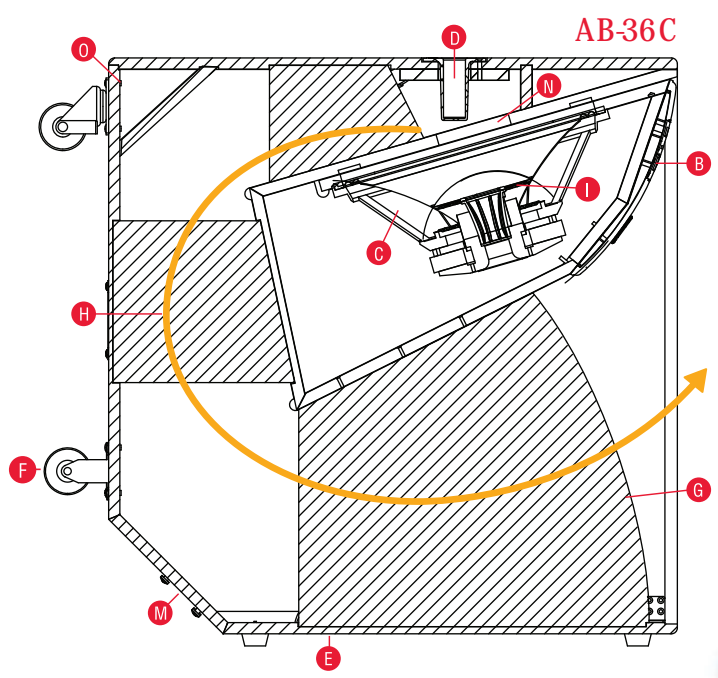
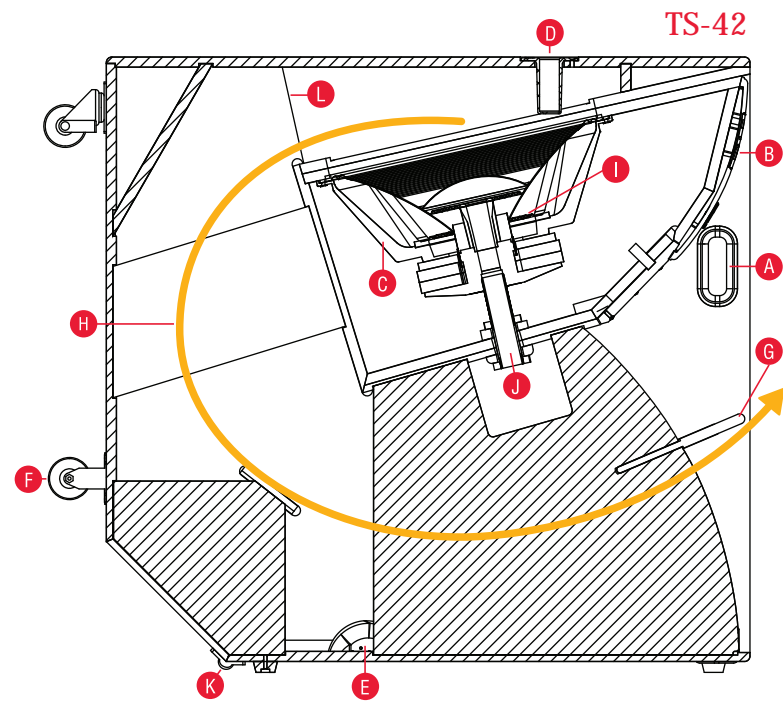
UNDER THE HOOD

The design of practical, portable bass horns has always challenged audio engineers because low frequency wavelengths are so large (e.g., 22.5 ft / 6.9 m at 50 Hz) that they require a long horn. The challenge to reduce the horn's dimensions without decreasing its length results in a technique that involves "folding" the horn. This technique collapses the physical dimensions of the horn without reducing its length by physically folding the horn within a cabinet.

- TS-42 and AB-36C
- A. Roadie friendly handles and cabinet design provide easy tip back for portability
 - B. Radiused front door functions as a heat sink for improved rigidity, heat dissipation, and reduced frequency response distortion
 - C. Rugged cast aluminum frame for solid driver performance
 - D. Deeper, reinforced pole cup for increased stability
 - E. Roadie-approved cup handles for easy transport
 - F. Extremely rugged, polyurethane roller bearing wheels for improved mobility – allows rolling over cables with no hassles
 - G. New side wall bracing design improves output by reducing cabinet resonance
 - H. Horn flair path is optimized for a smoother response and increased low frequency extension
 - I. Stroker® technology with three planes of suspension eliminates cone rocking, which allows higher SPL levels and reduced distortion

- TS-42 Only
- J. Support pipe vents heat through the pole piece and Stroker
 - K. Tilt back bumpers work with Cerwin-Vega! engineered handles (A) and new cabinet design for easy portability
 - L. Twin baffle support braces increase rigidity at the all-critical high pressure throat area which increases SPL levels

- AB-36C Only
- M. Alternate caster placement for tilt back portability and improved pack out density
 - N. Cerwin-Vega! original acoustic impedance balanced baffle shape reduces cone rocking which increases output and decreases distortion
 - O. Genuine Stayfast ultimate T-Nuts... They are rugged and add strength to the cabinet, ensuring your folded horn will stay with you for many gigs (and years) to come.



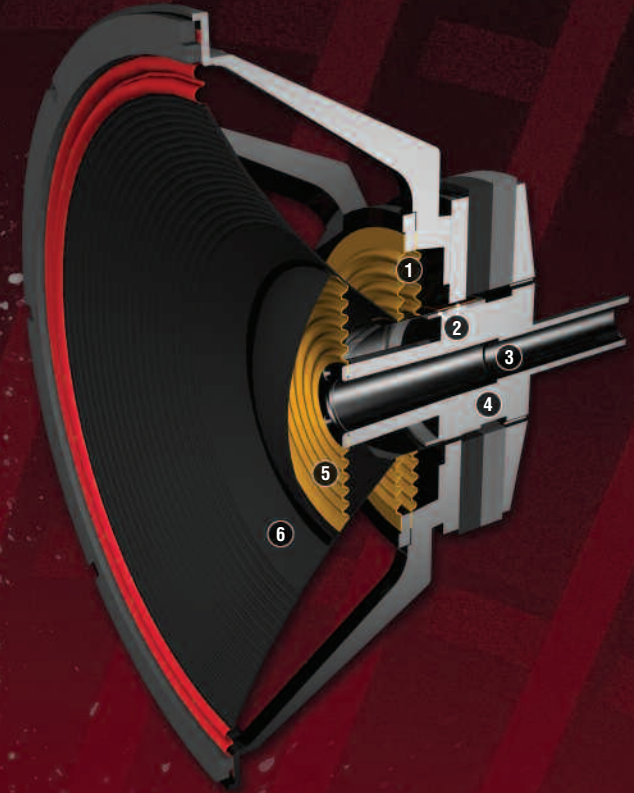
Pair Cerwin-Vega! folded horns with passive or active Cerwin-Vega! full-range speakers.

CVP-2153



STROKER TECHNOLOGY

Stroker® is a collection of Cerwin-Vega!-pioneered technologies that when combined together, improve reliability and power handling to a speaker driver while reducing distortion. Stroker reinforces critical structures of the woofer and improves the transfer of heat away from the speaker components. This is one of the reasons why Cerwin-Vega! subwoofers and folded horns play louder and take more abuse than competing products.



1. Double inverted spider cancels non-linearities for smooth excursion performance
2. Upper and lower shorting rings reduce driver distortion as well as provide enhanced cooling of the voice coil
3. Steel Tube used for 21" driver bracing and venting for greater cooling capacity
4. The stroker pole serves as the third spider support and a heatsink to dissipate heat from the voice coil
5. The third spider provides another plane of support for extremely reliable performance and high SPL levels
6. High carbon fiber content in cone provides enhanced strength, toughness and rigidity

CV PASSIVE

CVP - Non-Amplified Speaker System

While non-amplified speakers are traditionally referred to as "passive," there is nothing passive about the CVP speaker line. In-your-face bass, an aggressive look with the trademark Cerwin-Vega! barbeque grill, pristine highs, rugged construction and high output levels allow the CVP's to match the performance of our biggest, baddest folded horns, a claim that very few speakers in the world can make.

To live up to this claim, the engineers at Cerwin-Vega! have taken a fresh approach. Cast aluminum frames for strength and reliability, oversized magnets for output power, and even a few tricks borrowed from Cerwin-Vega's patented Stroker technology all ensure that the CVP speakers play loud, play strong, gig after gig. And the sound? We thought you'd never ask. By themselves, the CVP full range speakers provide monstrous SPL, and amazing low end with the fidelity of a studio monitor. For most gigs, a pair of CVP-2153's or CVP-1152's will be all you will ever need. But if you really want to make some noise, pair a CVP full range speaker with a Cerwin-Vega! active or passive subwoofer, and the "system" will bring down the house!

Speaking of pairing, the CVP full range Series is designed to team up perfectly with any Cerwin-Vega! subwoofer. The mighty CVP-2153 (2000 watts peak power handling), was designed as a system match to our ear shattering TS-42, and easily provides enough SPL and performance matching features to keep up with our AB-36C and EL-36C folded horns as well as with our direct fire subs in the CVA and CVP Series.

The CVP-1152 (1000 watts peak power handling) is also designed as a system solution with our folded horns and direct fire subs in a more compact package and can also be used as a wedge monitor.

A rotatable horn for concise pattern control, a Mylar high frequency driver for smooth high end, 12 fly points for suspension, and bi amp functionality are just a few of the other powerful features of the CVP series.



CVP-121



CVP-118

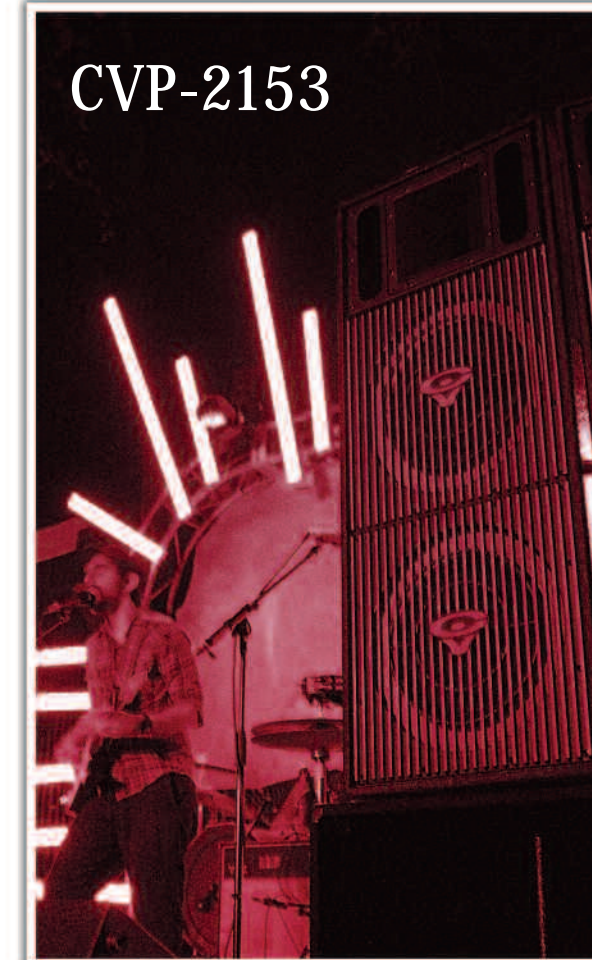


Steel Cerwin-Vega poles and antlers provide stability and flexibility to your CVP and CVA rigs.

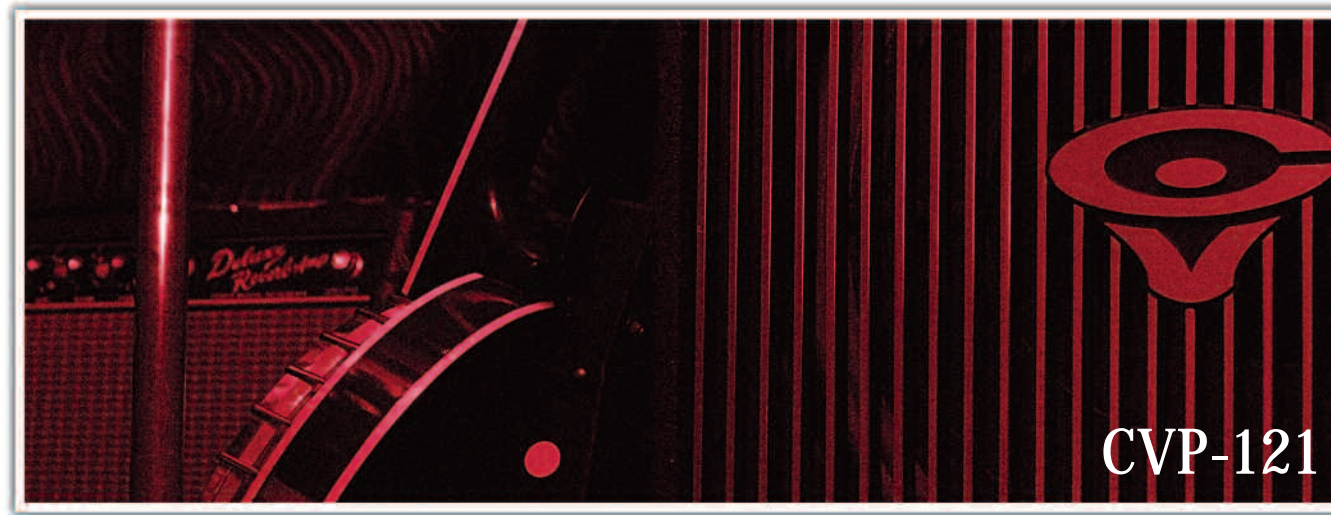
AB-36C



CVP-1152



CVP-2153



CVP-121

SPECS

CVP-2153

Dual Cerwin-Vega! 15" woofers and 44 mm diaphragm tweeter
 Frequency Response: 48 Hz – 20 kHz / 134 dB SPL
 Power Capacity: 1000W RMS / 2000W Program / 4000W Peak
 Recommended Power: 1500 w – 2000 w
 Sensitivity (1 w / 1 m): 101 dB
 Nominal Impedance: 4 ohms
 Dimensions (H x W x D): 45" x 18.2" x 19"
 114.2 cm x 46.2 cm x 48.3 cm
 Net Weight: 113 lbs / 51 kg

CVP-1152

Cerwin-Vega! 15" woofer and 44 mm diaphragm tweeter
 Frequency Response: 59 Hz – 18.5 kHz / 130 dB SPL
 Power Capacity: 500W RMS / 1000W Program / 2000W Peak
 Recommended Power: 750 w – 1000 w
 Sensitivity (1 w / 1 m): 99 dB
 Nominal Impedance: 8 ohms
 Dimensions (H x W x D): 28.1" x 18.2" x 16"
 71.4 cm x 46.2 cm x 40.7 cm
 Net Weight: 67 lbs / 30 kg

CVP-121

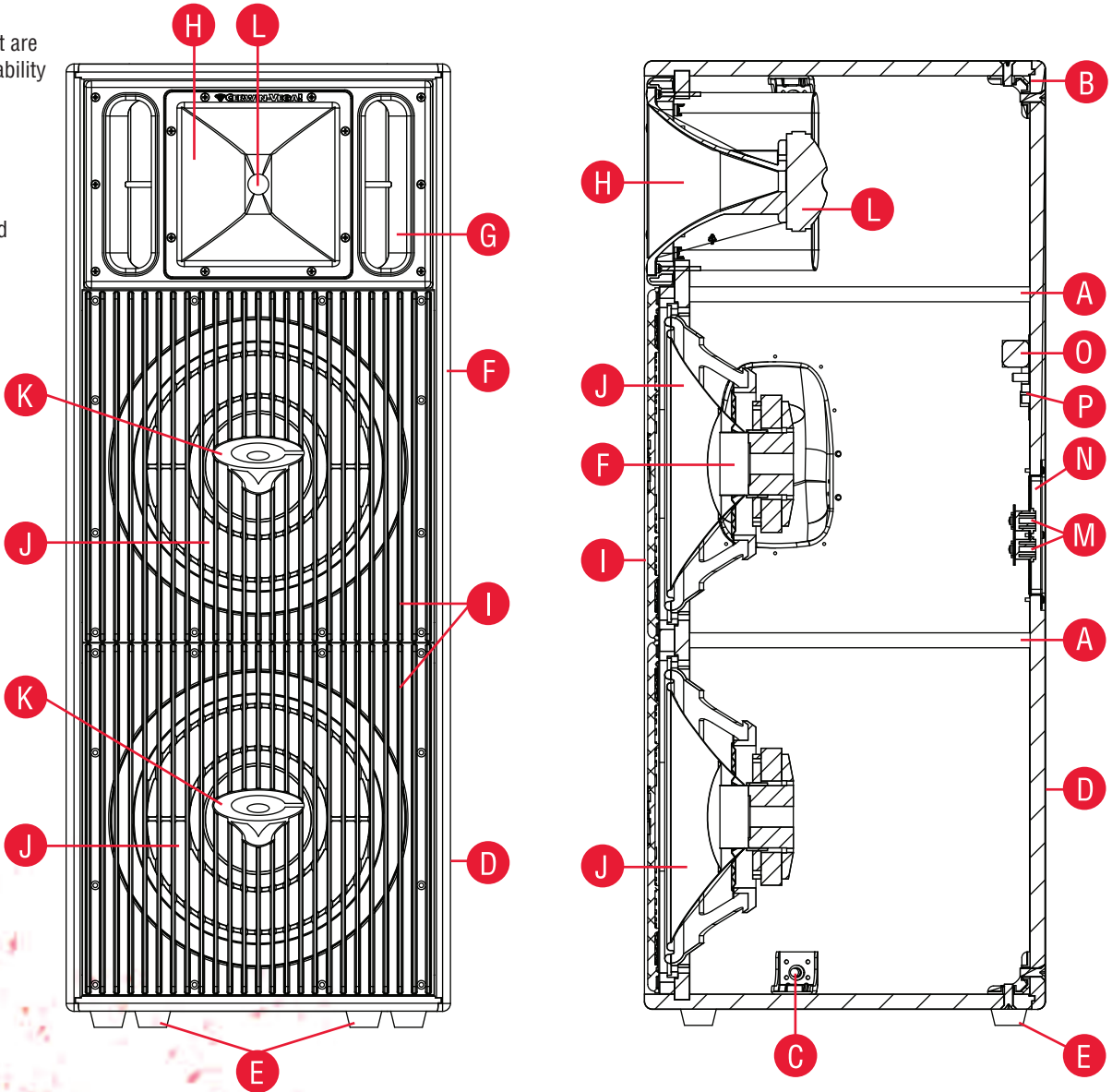
21" Cerwin-Vega! Stroker woofer with carbon-fiber reinforced cone
 Frequency Response: -3 dB 35 Hz – 135 Hz / 136 dB SPL
 Power Capacity: 1000W RMS / 2000W Program / 4000W Peak
 Recommended Power: 1500 w – 2000 w
 Sensitivity (1 w / 1 m): 103 dB
 Nominal Impedance: 8 ohms
 Dimensions (H x W x D): 23.31" x 24.02" x 31.57"
 59.2 cm x 61.0 cm x 80.2cm
 Net Weight: 137 lbs / 62 kg

CVP-118

Custom 18" Cerwin-Vega! woofer
 Frequency Response: -3 dB 41 Hz – 135 Hz / 132 dB SPL
 Power Capacity: 700W RMS / 1400W Program / 2800W Peak
 Recommended Power: 1500 w – 2000 w
 Sensitivity (1 w / 1 m): 101 dB
 Nominal Impedance: 8 ohms
 Dimensions (H x W x D): 25.7" x 21.6" x 23.7"
 65.3 cm x 53.5 cm x 60 cm
 Net Weight: 86 lbs / 39 kg

ANATOMY OF A CVP-2153 - 2153

- A. Extensive cabinet bracing to eliminate cabinet resonance
- B. Rabbet and Dado joint construction for extreme cabinet durability
- C. Twelve M10 fly points for overhead suspension in horizontal and vertical orientation
- D. Rugged, textured black coating
- E. Oversized durable rubber feet to keep the cabinet stable. Imprints for the rubber feet are provided in the Cerwin-Vega! C-Series and TS-42 folded horns to provide greater stability and precise acoustic alignment
- F. Ergonomically designed and placed CV handles for balanced portability
- G. Custom designed slot porting for optimum frequency extension
- H. 60 x 40 degree rotatable horn for dual high frequency pattern control
- I. Rotatable grill to match cabinet orientation (CVP-1152 functions as a monitor)
- J. Cerwin-Vega! designed 15" woofer for extreme low frequency reproduction, SPL and reliability
- K. Cerwin-Vega! logo in grill functions as an acoustic filter smoothing out midrange frequency response.
- L. High efficiency Mylar compression driver for high output and smooth high end frequency extension
- M. Genuine Neutrik quarter inch and Speakon connectors
- N. Bi-amp mode to power HF and LF drivers separately for clean, dedicated power consumption
- O. Efficiently designed "low-loss" crossover network uses premium grade components
- P. New Cerwin-Vega!-Designed High Frequency Protection Limiter



"The Cerwin-Vega! sound system is a cut above the rest. At SXSW, the sound seemed to fill up the area of the outdoor venue and provided us with a more inspired, enjoyable performance. We like to feel the music we are playing and hear it loudly, clearly and well mixed. This enables us to give the best performance we can... the way it was meant to be heard. Cerwin-Vega! is in a class all its own."

Kyle Krone, The Shys



The Shys performing at the 2009 South by Southwest Music and Media Conference in Austin, TX

CV ACTIVE

CVA®- Series – Portable, Modular, LOUD

If you make your living as a DJ, performing artist, band or production company, then CVA is for you. The Active Series is a system approach to live sound, building on our proud legacy as the dominant force in low-frequency sound reproduction. By combining matching speaker, enclosure and amplification technology into one package, our engineers have maximized the overall acoustic performance of each component while minimizing set-up complexity.

CVA-28 – A Speaker for All Occasions

The CVA-28 is a 3-way, dual 8" design that functions as a main speaker or monitor / personal amplifier. The custom designed Cerwin-Vega! drivers provide superior power handling, tight bass and refined mid-range. A compression driver is placed in the center of the top woofer in a concentric configuration, providing time-aligned high frequencies for incredible detail and imaging.

With 800 watts peak output, the integrated amplifier provides plenty of sonic power and includes a dedicated EQ contour switch, optimized for high SPL situations. A Sub / No Sub switch allows users to roll off the low end when used with a CVA subwoofer. Connections include microphone, line, and instrument inputs, a Thru connection, XLR and quarter inch connectors. All of these connections and features make the CVA-28 perfect for rehearsals, as a portable / personal monitor, or as part of a larger main speaker system.

The CVA-28 can be mounted or installed in a myriad of ways thanks to integrated fly points, flyware kits, pole mount, and dual and triple speaker mount accessories. If you're looking for a powerful, expandable and accurately-voiced speaker as part of your performance arsenal, the CVA-28 is the way to go.

"Once the [Active Series CVA-28 / 118] was heard in action, the common operative word was "wow."

- Pro Audio Review

"This little box is deceptively powerful. It is truly amazing how much horsepower these boxes have."

- Front of House

By design, the CV Active Series provides clearer sound to more of the audience. The CVA-28's coaxial mid / tweeter design controls and aligns high - and mid - frequency dispersion, which provides 3 key benefits for gigging musicians.

1. Provide superior clarity and sonic resolution to all of the audience, not just the back or front of the room.
2. Directs sound where it is needed (listening audience, dancefloor, etc.) instead of throwing sonic energy everywhere.
3. Change coverage to suit the venue by expanding / arraying the system.

CVA-28



CVA-121



CVA-118



CVA-115



CVA Subwoofers

Nobody knows more about the reproduction of clean, venue-shaking low-frequency sound than Cerwin-Vega!, and true to this legacy the CV Active Series, starts with a solid "bass." The 21", 18" and 15" powered subwoofers feature high SPL, powerful bass and integrate easily with the CVA-28 to create a portable, expandable system that can cover all gigs, large or small. The matched speaker / amplifier designs of the CVA subwoofers enhance portability, by fitting larger speakers into smaller boxes without sacrificing sound (our 21" enclosure, for example, is the size of traditional 18" subwoofers).

"...ah, the low-end of Cerwin-Vega! - was uniquely striking; it enveloped the crowd...and never seemed too loud (but was quite loud!) with a smooth thump that would punch you firmly in the chest, if warranted."

- Pro Audio Review

The flagship CVA-121 active subwoofer boasts a massive 21-inch woofer that uses Cerwin-Vega's patented Stroker® Technology. This allows the CVA-121 to play louder, longer and without the distortion or low-frequency artifacts found in lesser systems. Matched to this woofer is a powerful, built-in 1200-watt (2400 watt peak), high-efficiency Class H amplifier. The CVA-121 amplifier includes a unique onboard parametric EQ for contouring the sound. Protecting your investment is solid 18-mm hardwood construction, featuring durable Coolex polyurethane paint.

The CVA-118 and CVA-115 share many of the features and benefits found in the 21-inch configuration, but in even more compact enclosures. These active subwoofers are built around custom designed Cerwin-Vega! woofers, and the systems include matched, integrated amplifiers. This active design approach maximizes performance and delivers improved portability. Users get the output of an 18" or 15" woofer from an enclosure normally associated with smaller drivers. Flexible input connections, daisy-chain capability, and mounting accessories make the CVA-118 and CVA-115 the perfect choice when building an easy to use, flexible and powerful bottom end foundation.

CVA-121

21" Cerwin-Vega! Stroker woofer with carbon-fiber reinforced cone
Frequency Response: 35 Hz - 135 Hz (+/-3 dB)
Frequency Range: 32-135 Hz (-10 dB)
Power Capacity RMS / Pk: 1200 / 2400 w
Max SPL: 135 dB
Crossover: LPF 65 Hz-130 Hz, HPF 25 Hz
Dimensions (H x W x D): 31.75" x 23.5" x 23.5"
80.6 cm x 53.3 cm x 53.3 cm
Net Weight: 180 lbs / 81.6kg

CVA-115

Custom 15" Cerwin-Vega! woofer
Frequency Response: 43 Hz - 135 Hz (+/-3 dB)
Frequency Range: 41-135 Hz (-10 dB)
Power Capacity RMS / Pk: 600 / 1200 w
Max SPL: 130 dB
Crossover: variable low pass w / selectable high pass
Dimensions (H x W x D): 21" x 18" x 21"
53.3 cm x 45.7 cm x 53.3 cm
Net Weight: 92 lbs / 41.7 kg

CVA-118

Custom 18" Cerwin-Vega! woofer
Frequency Response: 41 Hz - 135 Hz (+/-3 dB)
Frequency Range: 38-135 Hz (-10 dB)
Power Capacity RMS / Pk: 700 / 1400 w
Max SPL: 131 dB
Crossover: LPF 65 Hz-130 Hz, HPF 25 Hz
Dimensions (H x W x D): 25" x 21" x 23.5"
63.5 cm x 53.3 cm x 59.7 cm
Net Weight: 115 lbs / 52.1 kg

CVA-28

Drivers: Custom Cerwin-Vega! coax 8-inch mid with 2 inch voice coil and 34 mm voice coil high-frequency driver; Custom Cerwin-Vega! 8 inch woofer with 2 inch voice coil
Frequency Response: 70 Hz - 20 kHz (+/-3 dB)
Frequency Range: 60 - 20 kHz (-10 dB)
Nominal Beamwidth - 50x50
Power Capacity RMS / Pk: 400 / 800 w
Max SPL: 128 dB
Dimensions (H x W x D): Front 11" x 20" / Rear 8" x 12"
Front 27.9 x 52 cm / Rear 21.6 cm 30.5 cm
Net Weight: 48 lbs / 21.8 kg

CV Active subs feature additional controls including High Pass & Low Pass filters to fine tune the sound to match the venue.



"The small stage system has a compact footprint with a surprisingly hefty sound. The performers and engineers were amazed at the clarity and punch. The large system sounded immense. The TS-42 subs were efficient and well defined with awesome low end -- good thing we had ratchet straps to contain these beasts! The drum monitoring system is the best setup I have heard. As a drummer you really want to hear the vocals and guitars but still be able to get that defined thump. The CVA-118 sub and a CVA-28 top really delivers."

Damon Alexander
Event Director / Go Entertainment

"On the road we experience a lot of sub-par PA systems and questionable monitor setups. For SXSW this year we were treated to house sound provided by Cerwin-Vega! We got a top notch monitor mix providing clarity at the whole of our dynamic range from monitors that took up surprisingly little space. We received numerous compliments from fans and friends in other bands about the overall quality of sound, the low end in particular. Of the shows we played, the venues running the Cerwin-Vega! systems were hands down the best shows we had."

The Calm Blue Sea



"I can whole-heartedly recommend a Cerwin-Vega! Active Series system to anyone needing a truly professional mobile PA who cannot stand to be ignored; this PA will get sufficient public attention, I guarantee you. It's compact yet hefty, smooth and discrete yet powerful, and, luckily it's a bargain for its build quality, design, and grade of components. And yes, it's worthy of one more exclamation point!"

Scott Bullins
Contributing Editor for Pro Audio Review

INTENSE

Intense – Huge CV Sound, Tiny Little Price

The new Intense Series loudspeakers deliver performance you demand at a price you don't expect. The same Cerwin-Vega! sound, similar aggressive looks... just a little less of it. The Intense Series can still be mixed and matched with other Cerwin-Vega! lines, or can be used as a stand-alone system. The model 152 and 252 enclosures, paired with the 118S cast frame subwoofer, are tailor-made for gigging musicians, mobile DJs, and other portable sound reinforcement applications.

INT-252

Frequency Response: 45 Hz - 20 kHz
Peak Power Handling: 1000 w
Program Power Handling: 500 w
Nominal Impedance: 4 ohms
Sensitivity (1 w / 1 m): 100 dB
Connections: 2 x 1 / 4" Phone, 2 x Neutrik Speakon
Low Frequency: Dual 15" Woofers with 2.5" Voice Coil
High Frequency: 34 mm Titanium Compression Driver with Exclusive Cerwin-Vega! HighRoad Horn
Dimensions (H x W x D): 46" x 18" x 19" / 116.8 cm x 45.7 cm x 48.2 cm
Weight: 87 lbs / 39.4 kg

INT-152

Frequency Response: 50 Hz - 20 kHz
Peak Power Handling: 600 w
Program Power Handling: 300 w
Nominal Impedance: 8 ohms
Sensitivity (1 w / 1 m): 98 dB
Low Frequency: 15" Woofers with 2.5" Voice Coil
High Frequency: 34 mm Titanium Compression Driver with Exclusive Cerwin-Vega! HighRoad Horn
Dimensions (H x W x D): 30" x 18" x 19" / 76.2 cm x 45.7 cm x 48.2 cm
Weight: 62 lbs / 28.12 kg

INT-118

Frequency Response: 38 Hz - 500 Hz
Peak Power Handling: 1000 w
Program Power Handling: 500 w
Nominal Impedance: 8 ohms
Sensitivity (1 w / 1 m): 98 dB
Low Frequency: 18" Cast Aluminum frame woofer with 3" Voice Coil
Connections: 2 x 1 / 4" Phone, 2 x Neutrik Speakon
Dimensions (H x W x D): 24" x 25" x 23" / 60.9 cm x 63.5 cm x 58.4 cm
Weight: 86 lbs / 39 kg



SDS-525

SDS Series®

The new Cerwin-Vega! Professional SDS-525 is the first product in the new Structural Design Series. This speaker system is specifically designed for professional applications including foreground and background music playback. Available in black or white, the SDS-525 includes a proprietary, adjustable-mounting bracket.

SPECS

SDS-525

High Frequency: (1) 1" Mylar-dome tweeter
Low frequency: (1) 5.25" co-polymer woofer with butyl-rubber surround 88 dB sensitivity @ 1 w / 1 m
Voice-matched, full-range
Includes fully adjustable mounting bracket
Versatile mounting brackets for a variety of placement options
Small, high-impact, polyresin cabinets with sleek contours and durable metal grilles
The speaker connections are push terminals
Weather-resistant
Master cartons contain three pairs
Sold in pairs
Flow-through cooling design prevents overheating with continuously variable speed, front to rear

Frequency Response: 60 Hz - 20 kHz
Design: 2-way, bass-reflex
Crossover Frequency: 3.5 kHz
Power Handling: 150 watts, IEC-268-5
Nominal Impedance: 4 ohms
Sensitivity: 88 dB @ 1 w / 1 m
Drivers: (1) 1" mylar-dome tweeter,
(1) 5.25" co-polymer woofer with butyl-rubber surround

Dimensions (H x W x D): 8.4" x 6.4" x 4.2" / 21.2 cm x 16.3 x 10.4 cm
Weight: 3.3 lb / 1.49 kg each



CERWIN-VEGA! CV AMPLIFIERS

Pure Power – Built to Last

What better way to show your Cerwin-Vega! speakers how much you love them than with a Cerwin-Vega! amplifier? These amps deliver crushing sound without putting the crunch on your wallet. In addition to providing your Cerwin-Vega! speaker with gobs of pure, clean power, these amplifiers also feature CV's legendary reliability and tank-like build quality.

The Cerwin-Vega! CV-Series high performance professional power amplifiers are rugged, 2U rackmountable workhorses with the muscle to accommodate the most demanding audio challenge. These amps are offered in a wide range of power output configurations, offer support for bridged mono operation, and have exceptional THD (Total Harmonic Distortion) and Signal-to-Noise ratings. Featuring state-of-the-art designs that include a highly efficient tunnel cooling system to ensure reliable, cool running operation, 21-position detent level control knobs for easily repeatable settings, signal and clip indicators for convenient monitoring of the amplifier's status, and the right connectors for integration into most any environment. Cerwin-Vega! Amplifiers - Powerful, rugged, and the perfect match for your Cerwin-Vega! speaker.

CV-2800

CV-1800

CV-900

	CV-900	CV-1800	CV-2800
Rated Power Output	Stereo Both Channel Driven		
8 ohms	210 W	400 W	600 W
4 ohms	320 W	600 W	900 W
2 ohms	420 W	900 W	1400 W
Rated Power Output	Bridged Mono		
8 ohms	650 W	1200 W	1800 W
4 ohms	845 W	1800 W	2800 W
SNR (20Hz ~ 20 k Hz)	100dB	102dB	104dB
Distortion (SMPTE-IM)	0.05%	0.01%	0.04%
Frequency Response	0/-0.5dB ; 20Hz-20kHz, 0/-3dB 5Hz-60kHz		
Dimensions (WxHxD)	19" (482mm) x 3.5"(88mm) x 16.5"(420mm)		
Net Weight	28lbs (12.6kg)	40lbs (18kg)	46lbs (20.7kg)



CV-2800 Rear Panel

All specifications contained within this brochure are subject to change without notice.

The needs of hard-working musicians are at the heart of everything we do at Cerwin-Vega! Pro. Passionate musicians ourselves, we're dedicated to offering the most complete line of practical, affordable and scalable audio solutions available... without sacrificing sound quality. Ume, a critically acclaimed indie rock band on the rise, experienced the results of this dedication firsthand. After playing on our mainstage sound system at a recent music festival, Ume's angelic looking, yet bad ass guitar shredding front woman Lauren Larson had the following to say; "With a loud guitar sound and dynamic female vocals, we've always been plagued by feedback on stage - until we found Cerwin Vega! After playing a SXSW concert with their gear, we were hooked. The vocals remained clear and the sound powerful... finally a performance as it was intended to sound!" After their experience with Cerwin-Vega!, the band chose to make our Active System part of their permanent touring rig... and that's why we do what we do.



Ume (pronounced ooo-may) has built a reputation as one of indie rock's most electrifying bands. With their new critically acclaimed and self-released Sunshower EP and recent breakout performances, Ume has launched into the international spotlight DIY-style. They have ongoing tour commitments including stops at Toronto's NXNE Festival, WOXY Lounge, and Athens' Athfest. They have self-booked over 300 shows and played with Arcade Fire, Marnie Stern, A Place To Bury Strangers, ...Trail of Dead, Dead Confederate, Times New Viking, and The Fall. Behind Ume's explosive music is an unassuming trio consisting of guitarist / vocalist Lauren Larson, bass player Eric Larson, and drummer Jeff Barrera. In 2008, they recorded Sunshower in Austin with Frenchie Smith (Trail of Dead, Jet). They were recently featured in the Irish Times alongside Ciara, Justin Timberlake, and Eminem... only Ume received 4 stars.

