



01

Check the included items

As soon as you open the package, check to see that all items are included. If anything is missing, please contact your dealer.

Stand (MDS-4)

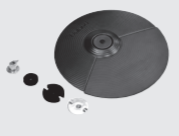
The parts required to assemble the stand (MDS-4) are listed in the MDS-4 Owner's Manual. Check the owner's manual and make sure that you have all of the parts.



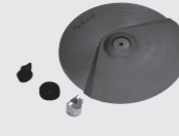
Hi-hat control pedal (FD-8)



Kick trigger pad (KD-8)



Cymbal pad for hi-hat (CY-5)



Cymbal pad for crash/ride (CY-8 x 2)



V-Pad for snare (PDX-8)



Pad for tom (PD-8 x 3)



Drum sound module (TD-4)



Connection cable (special for TD-4)



AC adaptor



Drum key (Included in the FD-8 packing carton.)

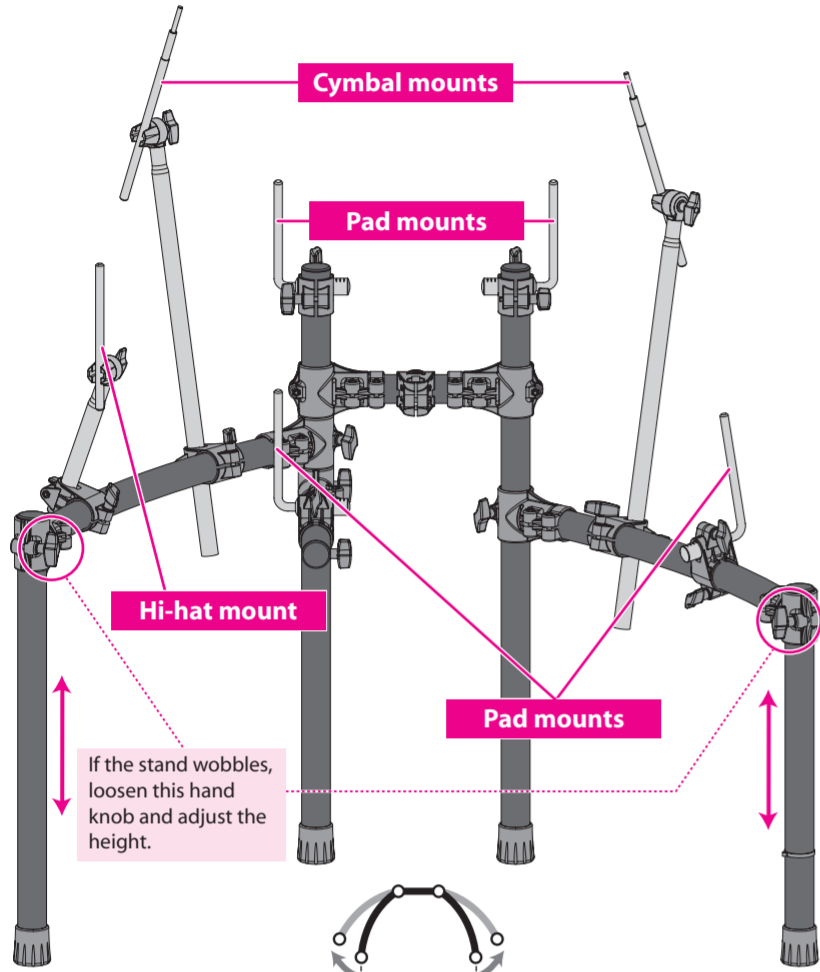
- Manual set
- Setup Guide (this document)
 - Owner's Manual

02

Assemble the stand

Assembly procedure

Assemble the stand using the procedure described in the MDS-4 Owner's Manual.



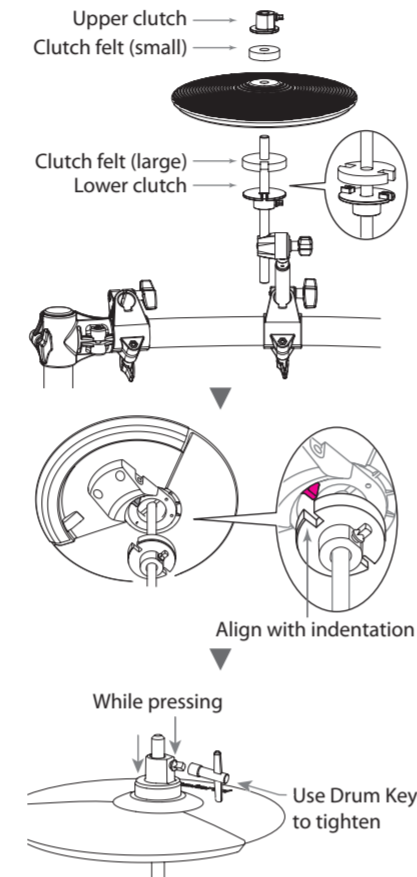
* Do not spread the stand wider than 1.0 meters (40 inches).

03

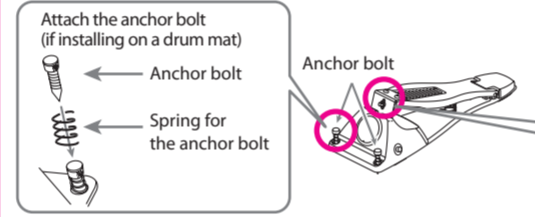
Attach the parts

* The parts required for mounting the cymbals and the hi-hat are included in the TD-9K attachment box.

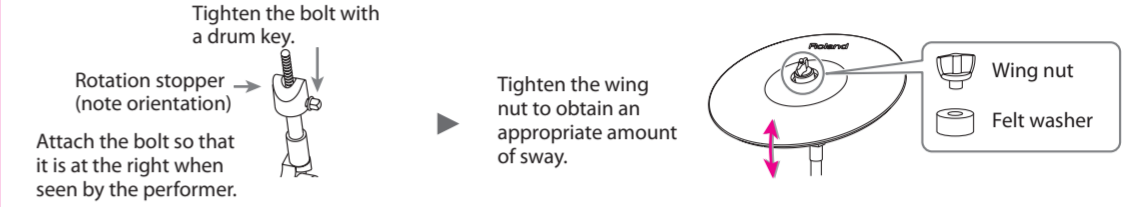
Attach the hi-hat (CY-5)



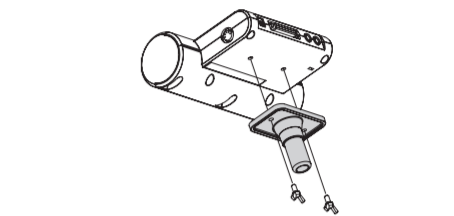
Assemble the hi-hat control pedal (FD-8)



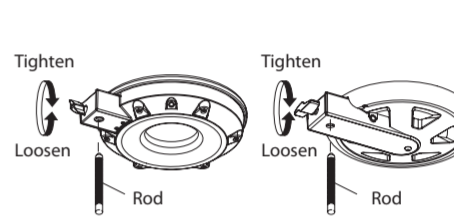
Attach the crash cymbal (CY-8) and ride cymbal (CY-8)



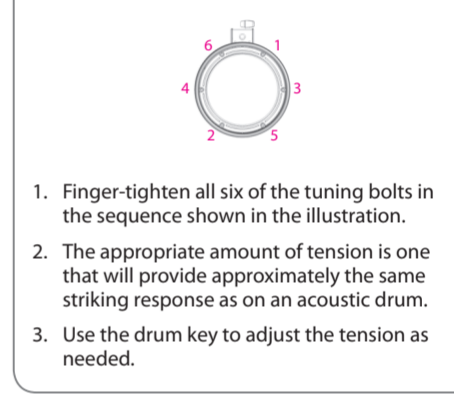
Attach the sound module (TD-4)



Attach the snare (PDX-8) and toms (PD-8)



Adjusting the tension (PDX-8)

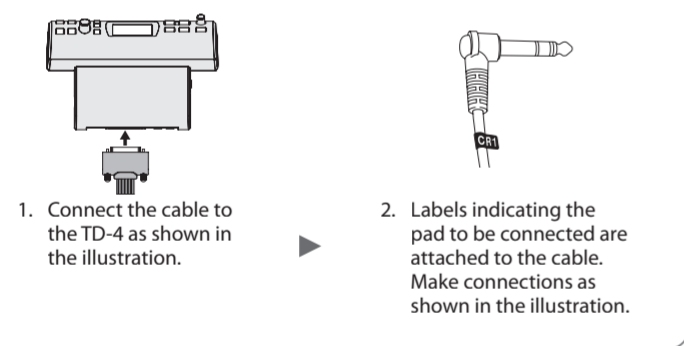


04

Connect the pads to the sound module

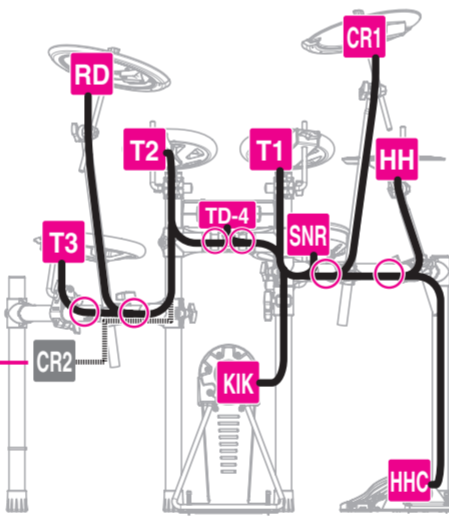
* To prevent the inadvertent disruption of power to your unit (should the plug be pulled out accidentally), and to avoid applying undue stress to the AC adaptor jack, use cable ties to fasten the cord from the AC adaptor to the stand.

Connection procedure



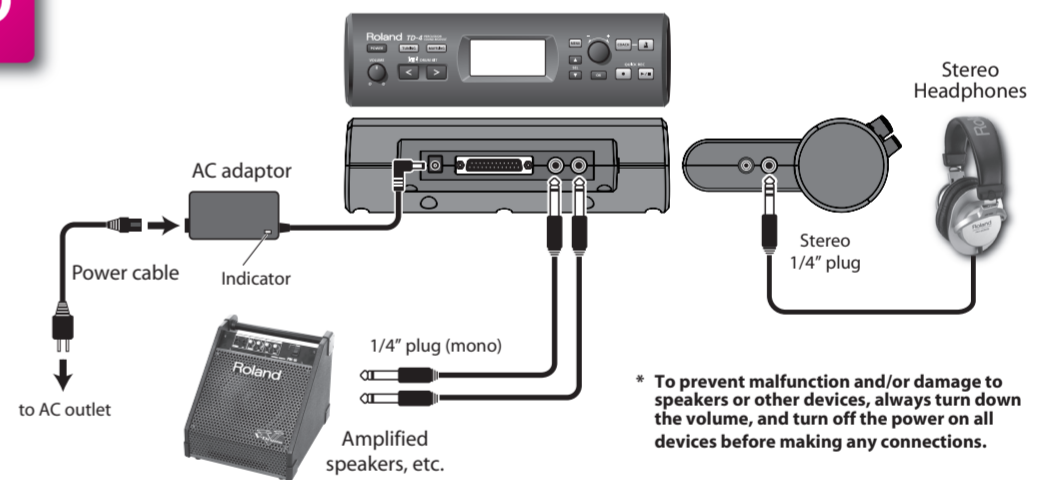
* Use cable ties to fasten the cables at the circled locations "O" so that they do not interfere with your performance. Make sure to wrap the cable ties around the pipes.

* Do not connect the CR2 cable. Leave the cap in place, and fasten the cable so that it will not hinder your performance.



05

Connect the AC adaptor and speakers



* To prevent malfunction and/or damage to speakers or other devices, always turn down the volume, and turn off the power on all devices before making any connections.

This completes assembly and connections.

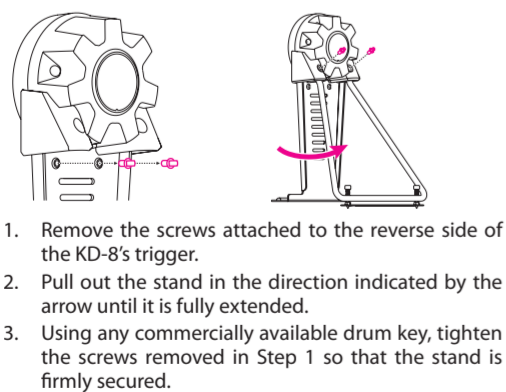
When you've finished making connections, turn on the power as described in the TD-4 Owner's Manual, and verify that you can hear sound.

Detailed explanation of each part

KD-8 (Kick)

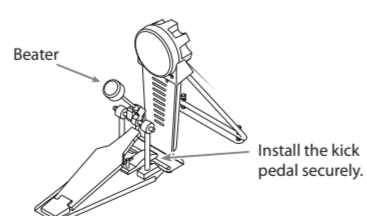
* Use a commercially available kick pedal.

01 Making the settings



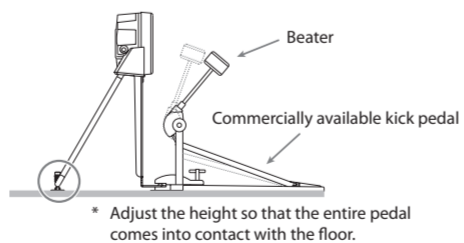
02 Attach the kick pedal

Position the beater so that it strikes the center of the head, then secure the kick pedal and KD-8 firmly in place.



03 Adjusting the foot plate height

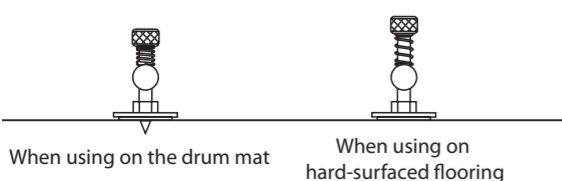
* Depending on your kick pedal, it can be unstable when you attach it to the KD-8. Be sure to adjust the foot plate height so that the entire bottom surface of the pedal is attached to the floor.



03 Adjusting the anchor bolts

When using the kick pedal on a drum mat or similar surface, adjust the anchor bolts so their tips protrude from the plate. Then, secure the pedal in place; this will make it easier to use the kick pedal.

However, when used on hard-surfaced flooring, the anchor bolts may damage the floor. Adjust the anchor bolts correctly.

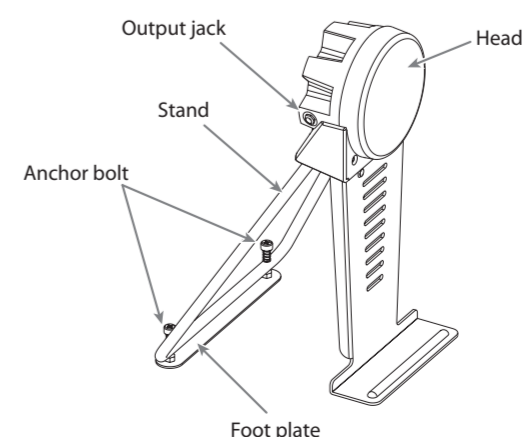


NOTE
* The tips of the anchor bolts are sharp. Handle with care.

05 When using a twin pedal

Position the two beaters equally apart from the center of the pad as shown in the figure at left. If one of the beater is further away from the center than the other, the sound from the further beater will be lower in volume, or will not sound as desired.

Using a twin pedal will result in lower sensitivity as compared to when a single pedal is used. Raise the sensitivity on the sound module.



NOTE
* Install the kick pedal securely.
* Take care not to pinch your fingers.
* The tips of the anchor bolts are sharp. Handle with care.
* When moving the KD-8, be sure to remove the screws and fold the stand. Transporting the KD-8 while it remains open may subject the stand to excessive strain and result in damage to the stand.
* Anti-skid tape is affixed to the foot plate. When transporting the KD-8, don't forget to pick up the foot plate.

KD-8 component names

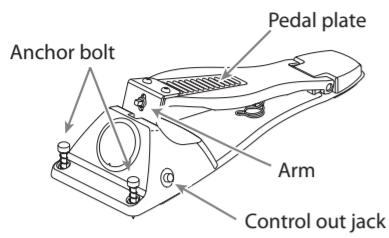
Other side

Detailed explanation of each part

FD-8 (Hi-hat control pedal)



FD-8 component names

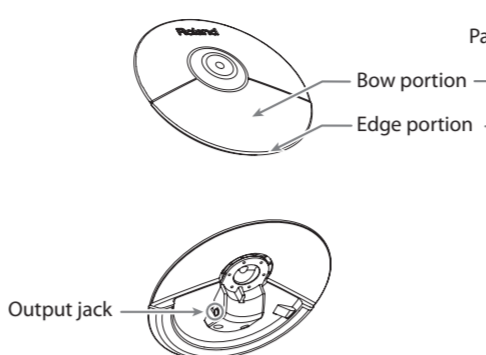


NOTE

- The tips of the anchor bolts are sharp. Handle with care.
- When using on hard-surfaced flooring, the anchor bolts may damage the floor. Do not attach the anchor bolts.
- Use a drum key to adjust the travel of the pedal, loosen the arm bolt.

CY-5 (Hi-hat)

CY-5 component names

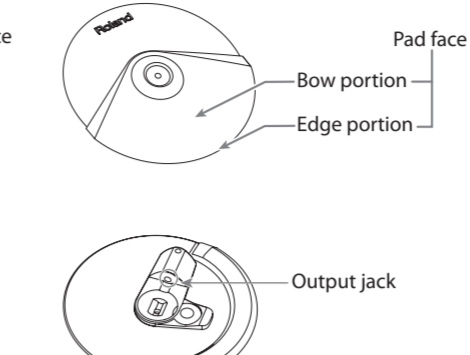


NOTE

- Continuous playing may cause dis-coloration of the pad, but this will not affect the Pad's function.

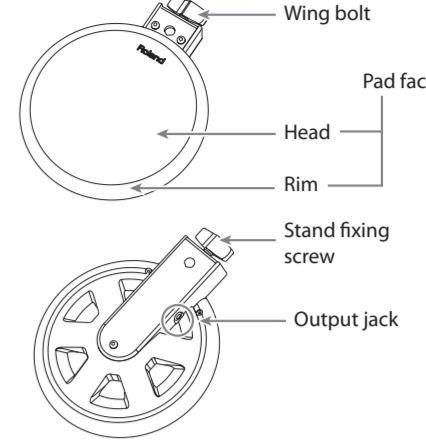
CY-8 (Crash/Ride cymbal)

CY-8 component names



PD-8 (Tom)

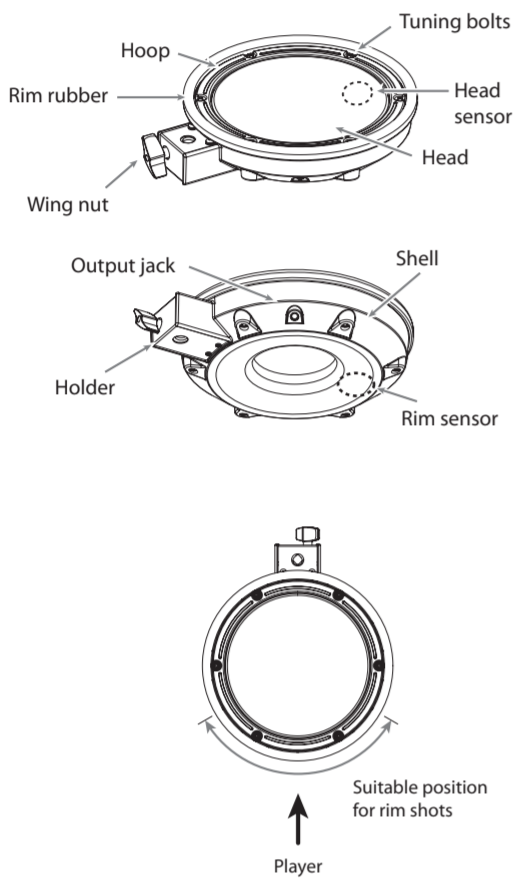
PD-8 component names



PDX-8 (Snare)



PDX-8 component names



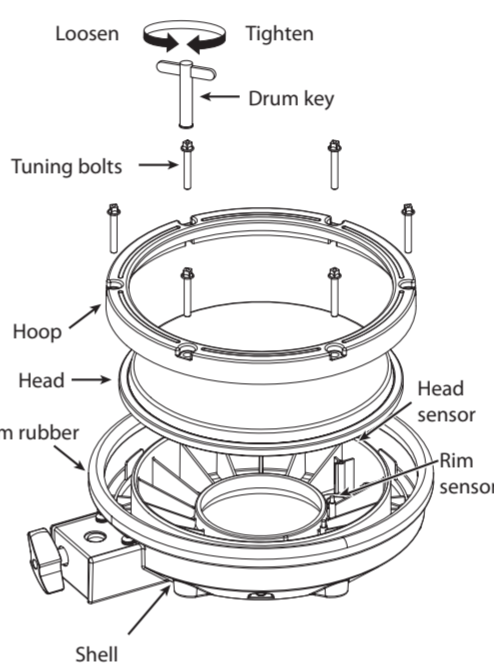
NOTE

- Be sure to adjust the head tension of the PDX-8 before use.
- Striking the head when the head tension is loose may damage the sensor and head.
- Do not apply excessive force to the sensor and cushion located under the head. Doing so can interfere with accurate detection, and may damage it.
- Due to the nature of the materials used in the sensor of the PDX-8, changes in room temperature may affect the sensitivity of the sensor.
- The rim rubber is one component that eventually wears out (depending on the number and strength of the rim shots performed), and will require replacement. Rim shots may not be performed correctly when the rim rubber is worn out. If this occurs, replace the rim rubber. Consult Roland Service for more on replacing the rim rubber.

Head replacement procedure

The head is an expendable item that eventually will wear out and need to be replaced. Replace the head when the following occurs: Slack portions remain in the head even when the head tension is properly adjusted.

- Replacement head (sold separately) : MH-8 mesh head



- Remove all tuning bolts and washers.
- Do not apply excessive force to the sensor and cushion located under the head. Doing so can interfere with accurate detection, and may damage it.
- Remove the hoop.
- Remove the old head.
- Place the new head on the shell.
- Attach the tuning bolts to the hoop and shell.
- Adjust the head tension. For details, refer to the explanation on the opposite side of this leaflet.

USING THE UNIT SAFELY

INSTRUCTIONS FOR THE PREVENTION OF FIRE, ELECTRIC SHOCK, OR INJURY TO PERSONS

About WARNING and CAUTION Notices

Table with 2 columns: Symbol (Warning/Caution) and Description. Includes instructions for handling warnings, cautioning against material damage to the home, and proper disposal of hazardous waste.

About the Symbols

Table with 2 columns: Symbol and Description. Explains symbols for important instructions, items to never be carried out, and power-cord plug unplugging.

ALWAYS OBSERVE THE FOLLOWING

- Do not open or perform any internal modifications on the unit. (Only exception would be where this manual provides specific instructions which should be followed in order to put in place user-installable options.)
- Do not attempt to repair the unit, or replace parts within it (except when this manual provides specific instructions directing you to do so). Refer all servicing to your retailer, the nearest Roland Service Center, or an authorized Roland distributor, as listed on the "Information."
- Never install the unit in any of the following locations:
 - Subject to temperature extremes (e.g. direct sunlight in an enclosed vehicle, near a heating duct, on top of heat-generating equipment); or
 - Damp (e.g., baths, washrooms, on wet floors); or are
 - Exposed to steam or smoke; or are
 - Humid; or are
 - Exposed to rain; or are
 - Dusty or sandy; or are
 - Subject to high levels of vibration and shockiness.
- This unit should be used only with a stand (MDS series) that is recommended by Roland.
- When using the unit with a stand (MDS series) recommended by Roland, the stand (MDS series) must be carefully placed so it is level and sure to remain stable. If not using a stand (MDS series), you still need to make sure that any location you choose for placing the unit provides a level surface that will properly support the unit, and keep it from wobbling.
- Do not allow any objects (e.g., flammable material, coins, pins), or liquids of any kind (water, soft drinks, etc.) to penetrate the unit.
- In households with small children, an adult should provide supervision until the child is capable of following all the rules essential for the safe operation of the unit.
- Do not drop the unit.

IMPORTANT NOTES

Placement

- Do not expose the unit to direct sunlight, place it near devices that radiate heat, leave it inside an enclosed vehicle, or otherwise subject it to temperature extremes. Excessive heat can deform or discolor the unit.
- Do not allow rubber, vinyl, or similar materials to remain on the unit for long periods of time. Such objects can discolor or otherwise harmfully affect the finish.
- When setting up or storing this unit, be careful so the fingers used to grasp the stand don't get pinched. Also, take care that the stand does not become unbalanced and fall over or fall against you.

Maintenance

- For everyday cleaning wipe the unit with a soft, dry cloth or one that has been slightly dampened with water. To remove stubborn dirt, use a cloth impregnated with a mild, non-abrasive detergent. Afterwards, be sure to wipe the unit thoroughly with a soft, dry cloth.
- Never use benzene, thinners, alcohol or solvents of any kind, to avoid the possibility of discoloration and/or deformation.

Additional Precautions

- Use a reasonable amount of care when using the unit's buttons, sliders, or other controls; and when using its jacks and connectors. Rough handling can lead to malfunctions.
- When connecting / disconnecting all cables, grasp the connector itself—never pull on the cable. This way you will avoid causing stress, or damage to the cable's internal elements.
- To avoid disturbing your neighbors, try to keep the unit's volume at reasonable levels. You may prefer to use headphones, so you do not need to be concerned about those around you (especially when it is late at night).
- This instrument is designed to minimize the extraneous sounds produced when it's played. However, since sound vibrations can be transmitted through floors and walls to a greater degree than expected, take care not to allow these sounds to become a nuisance to neighbors, especially when performing at night and when using headphones.
- Some connection cables contain resistors. Do not use cables that incorporate resistors for connecting to this unit. The use of such cables can cause the sound level to be extremely low, or impossible to hear. For information on cable specifications, contact the manufacturer of the cable.
- The rubber portion of the striking surface is treated with a preservative to maintain its performance. With the passage of time, this preservative may appear on the surface as a white stain, or reveal how the pads were struck during product testing. This does not affect the performance or functionality of the product, and you may continue using it with confidence.
- Continuous playing may cause discoloration of the pad, but this will not affect the Pad's function.
- In the interest of product improvement, the specifications and/or appearance of this unit are subject to change without prior notice.

有关产品中所含有害物质的说明

本资料就本公司产品中所含的特定有害物质及其安全性予以说明。本资料适用于2007年3月1日以后本公司所制造的产品。

环保使用期限

此标志适用于在中国境内销售的电子信息产品。表示环保使用期限的年限。所谓环保使用期限是指在自制造日起的规定的期限内，产品中所含的有害物质不致对环境造成污染，不会对人体、财产造成严重的不良影响。环保使用期限在遵照产品使用说明书，正确使用产品的条件下才有效。不当的使用，将会导致有害物质泄漏的危险。

产品中有害物质或元素名称及含量

Table with 2 columns: Component Name and Toxic Substance/Element Content (Lead, Mercury, Cadmium, Hexavalent Chromium, Polybrominated Diphenyl Ethers, Polybrominated Diphenyl Ethers).

○：表示该有害物质在该部件所有均质材料中的含量均在SJ/T11363-2006标准规定的限量要求以下。
×：表示该有害物质在该部件的某一均质材料中的含量超出SJ/T11363-2006标准规定的限量要求。因根据现有的技术水平，还没有什么物质能够代替它。

Information

When you need repair service, call your nearest Roland Service Center or authorized Roland distributor in your country as shown below.

Worldwide list of Roland Service Centers and distributors. Includes contact information for Africa, Asia, Europe, Middle East, North America, and other regions.

WARNING

For C.A. US (Proposition 65)

This product contains chemicals known to cause cancer, birth defects and other reproductive harm, including lead.