

## Key Features:

- ▶ JBL 12" low frequency driver with a 64 mm (2½ in) diameter edge-wound ribbon voice coil which provides more cross-sectional wire area in the voice coil gap than round wire designs, for greater efficiency and power handling.
- ▶ Ferro-fluid cooled compression driver with titanium diaphragm improves high frequency performance as well as system reliability.
- ▶ The advanced network topology crossover design shapes frequency response and delivers "coherent summation" in the crossover region.
- ▶ High-voltage capacitors and inductors with massive cores and heavy gauge wire enable the crossover network to handle high power without saturating.
- ▶ Progressive Transition™ high-frequency waveguide provides superior coverage control, reduced distortion, and smoother frequency response.
- ▶ The rugged, acoustically superior enclosure is constructed from 19 mm (¾ in) MDF (Medium Density Fiberboard) using advanced adhesives and mechanical fastener technology for extreme durability and improved low-frequency performance.
- ▶ SonicGuard™ protects the high-frequency driver from excess power without interrupting the performance.
- ▶ Non-resonant, all-steel handles are used.
- ▶ Attractive 18-gauge hexagon perforated, steel grille protects components from damage.
- ▶ Cast aluminum, 35 mm pole-mount cup for stand mounting.



The SoundFactor SF12M is a portable, twelve-inch, two-way speaker system designed specifically for live performance stage monitoring applications. With enough sensitivity and power handling to cut through the performance volume on stage, the SF12M has a smooth response so it can deliver maximum gain before feedback. Small enough to fit on crowded stages, the SF12M also includes a 35 mm pole-mount cup allowing it to be used as a main PA speaker.

## Specifications:

System Type:	12" 2-way, stage monitor
Frequency Range (-10 dB): <sup>2</sup>	60 Hz - 16 kHz
Frequency Response (±3 dB):	70 Hz - 12 kHz
Sensitivity (1w/1m):	99 dB SPL
Nominal Impedance:	8 Ω
Power Capacity: <sup>1</sup>	250 watts
Peak Power Capacity: <sup>1</sup>	1000 watts
Maximum SPL:	129 dB
Nominal Dispersion:	90° x 50°
Crossover Frequency:	1.8 kHz
Dimensions (H x W x D):	584.2 mm x 393.7 mm x 317.5 mm (23 in x 15.5 in x 12.6 in)
Weight:	19.5 kg (43 lbs.)
Shipping Weight:	22.0 kg (48.5 lbs.)
High Frequency Driver:	JBL 2412 1" exit compression driver mounted on Progressive Transition™ Waveguide
Low Frequency Driver:	JBL M112-8
Input Connectors:	Neutrik® Speakon® NL-4 (x1); ¼" TS phone jack (x1); parallel
Enclosure Construction:	19 mm (¾ in) MDF (Medium Density Fiberboard); with glued and mechanically fastened joint detail; covered in black carpet.
Grille:	18-gauge, powder-coated steel
Mounting & Suspension:	35 mm, cast aluminum pole-mount socket

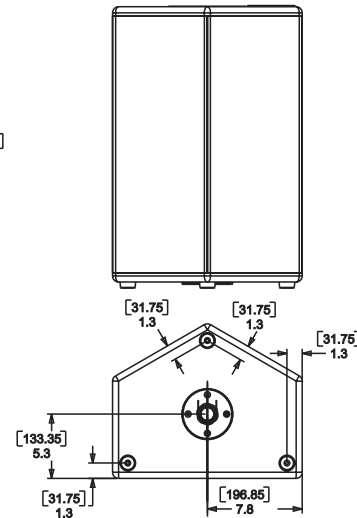
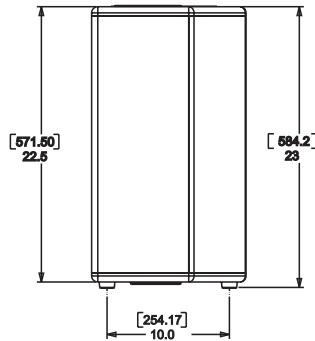
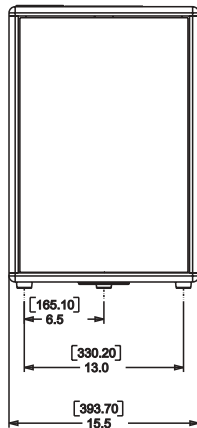
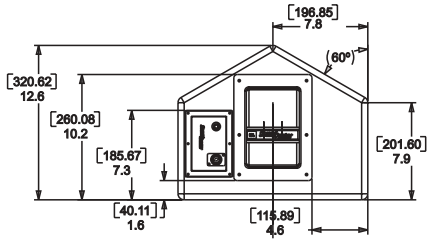
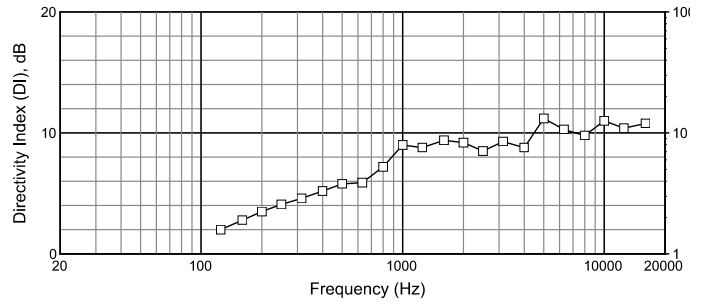
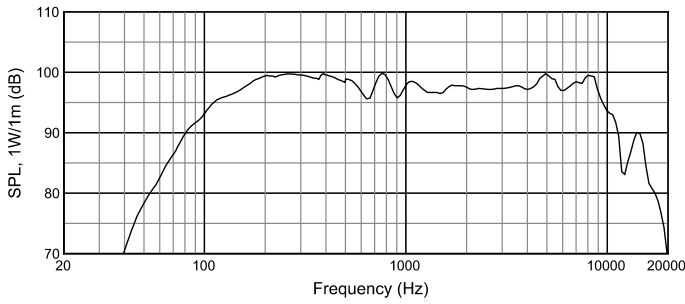
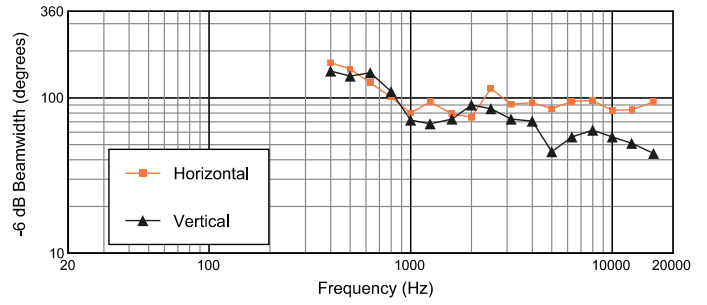
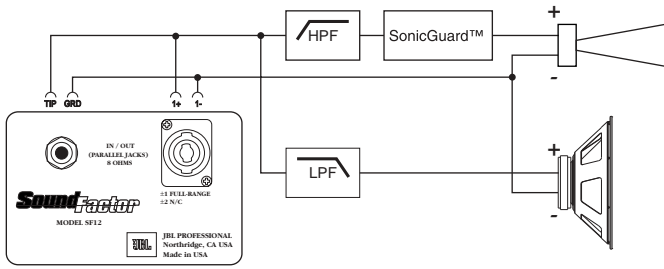
<sup>1</sup> "Power Capacity" and "Peak Power Capacity" ratings are based on the average and peak power capacity of product samples subjected to a 100 hour power test using random noise with a 6 dB crest factor, in accordance with IEC standards.

<sup>2</sup> "Frequency Range" and "Frequency Response" are based on half-space response.

<sup>3</sup> Height dimension includes feet.

JBL continually engages in research related to product improvement. Some materials, production methods and design refinements are introduced into existing products without notice as a routine expression of that philosophy. For this reason, any current JBL product may differ in some respect from its published description, but will always equal or exceed the original design specifications unless otherwise stated.

# ► SF12M 12 Inch Two-Way Stage Monitor Speaker



JBL Professional  
 8500 Balboa Boulevard, P.O. Box 2200  
 Northridge, California 91329 U.S.A.

© Copyright 2002 JBL Professional

SSSF12M  
 339289-001  
 CRP ??M  
 01/02