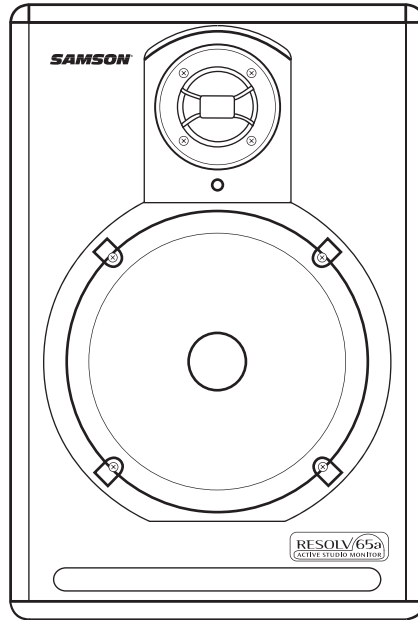


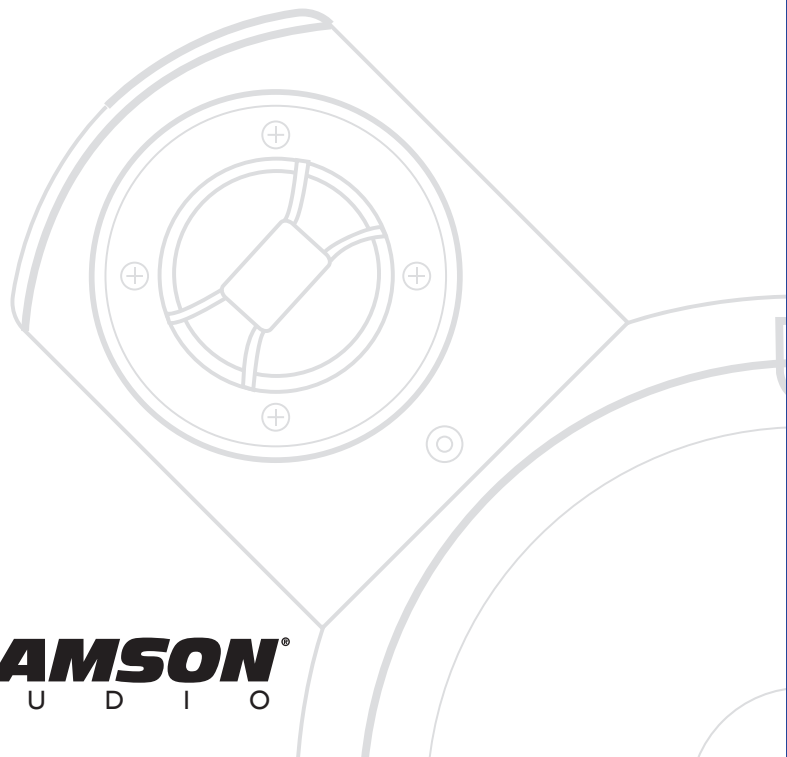
RESOLV 65a

ACTIVE STUDIO MONITOR



Two-way Active Studio Reference Monitor

Owners Manual



SAMSON
A U D I O

STUDIO REFERENCE MONITORS

Safety Instructions/Consignes de sécurité/Sicherheitsvorkehrungen/Instrucciones de seguridad



WARNING: To reduce the risk of fire or electric shock, do not expose this unit to rain or moisture. To reduce the hazard of electrical shock, do not remove cover or back. No user serviceable parts inside. Please refer all servicing to qualified personnel. The lightning flash with an arrowhead symbol within an equilateral triangle, is intended to alert the user to the presence of uninsulated "dangerous voltage" within the products enclosure that may be of sufficient magnitude to constitute a risk of electric shock to persons. The exclamation point within an equilateral triangle is intended to alert the user to the presence of important operating and maintenance (servicing) instructions in the literature accompanying the product.

Important Safety Instructions

1. Please read all instructions before operating the unit.
2. Keep these instructions for future reference.
3. Please heed all safety warnings.
4. Follow manufacturers instructions.
5. Do not use this unit near water or moisture.
6. Clean only with a damp cloth.
7. Do not block any of the ventilation openings. Install in accordance with the manufacturers instructions.
8. Do not install near any heat sources such as radiators, heat registers, stoves, or other apparatus (including amplifiers) that produce heat.
9. Do not defeat the safety purpose of the polarized or grounding-type plug. A polarized plug has two blades with one wider than the other. A grounding type plug has two blades and a third grounding prong. The wide blade or third prong is provided for your safety. When the provided plug does not fit your outlet, consult an electrician for replacement of the obsolete outlet.
10. Protect the power cord from being walked on and pinched particularly at plugs, convenience receptacles and at the point at which they exit from the unit.
11. Unplug this unit during lightning storms or when unused for long periods of time.
12. Refer all servicing to qualified personnel. Servicing is required when the unit has been damaged in any way, such as power supply cord or plug damage, or if liquid has been spilled or objects have fallen into the unit, the unit has been exposed to rain or moisture, does not operate normally, or has been dropped.

ACHTUNG: Um die Gefahr eines Brandes oder Stromschlags zu verringern, sollten Sie dieses Gerät weder Regen noch Feuchtigkeit aussetzen. Um die Gefahr eines Stromschlags zu verringern, sollten Sie weder Deckel noch Rückwand des Geräts entfernen. Im Innern befinden sich keine Teile, die vom Anwender gewartet werden können. Überlassen Sie die Wartung qualifiziertem Fachpersonal. Der Blitz mit Pfeilspitze im gleichseitigen Dreieck soll den Anwender vor nichtisolierter "gefährlicher Spannung" im Geräteinnern warnen. Diese Spannung kann so hoch sein, dass die Gefahr eines Stromschlags besteht. Das Ausrufezeichen im gleichseitigen Dreieck soll den Anwender auf wichtige Bedienungs- und Wartungsanleitungen aufmerksam machen, die im mitgelieferten Informationsmaterial näher beschrieben werden.

Wichtige Sicherheitsvorkehrungen

1. Lesen Sie alle Anleitungen, bevor Sie das Gerät in Betrieb nehmen.
2. Bewahren Sie diese Anleitungen für den späteren Gebrauch gut auf.
3. Bitte treffen Sie alle beschriebenen Sicherheitsvorkehrungen.
4. Befolgen Sie die Anleitungen des Herstellers.
5. Benutzen Sie das Gerät nicht in der Nähe von Wasser oder Feuchtigkeit.
6. Verwenden Sie zur Reinigung des Geräts nur ein feuchtes Tuch.
7. Blockieren Sie keine Belüftungsöffnungen. Nehmen Sie den Einbau des Geräts nur entsprechend den Anweisungen des Herstellers vor.
8. Bauen Sie das Gerät nicht in der Nähe von Wärmequellen wie Heizkörpern, Wärmeklappen, Öfen oder anderen Geräten (inklusive Verstärkern) ein, die Hitze erzeugen.
9. Setzen Sie die Sicherheitsfunktion des polarisierten oder geerdeten Steckers nicht außer Kraft. Ein polarisierter Stecker hat zwei flache, unterschiedlich breite Pole. Ein geerdeter Stecker hat zwei flache Pole und einen dritten Erdungsstift. Der breitere Pol oder der dritte Stift dient Ihrer Sicherheit. Wenn der vorhandene Stecker nicht in Ihre Steckdose passt, lassen Sie die veraltete Steckdose von einem Elektriker ersetzen.
10. Schützen Sie das Netzkabel dahingehend, dass niemand darüber laufen und es nicht geknickt werden kann. Achten Sie hierbei besonders auf Netzstecker, Mehrfachsteckdosen und den Kabelanschluss am Gerät.
11. Ziehen Sie Netzstecker des Geräts bei Gewittern oder längeren Betriebspausen aus der Steckdose.
12. Überlassen Sie die Wartung qualifiziertem Fachpersonal. Eine Wartung ist notwendig, wenn das Gerät auf irgendeine Weise, beispielsweise am Kabel oder Netzstecker beschädigt wurde, oder wenn Flüssigkeiten oder Objekte in das Gerät gelangt sind, es Regen oder Feuchtigkeit ausgesetzt war, nicht mehr wie gewohnt betrieben werden kann oder fallen gelassen wurde.

ATTENTION: Pour éviter tout risque d'électrocution ou d'incendie, ne pas exposer cet appareil à la pluie ou à l'humidité. Pour éviter tout risque d'électrocution, ne pas ôter le couvercle ou le dos du boîtier. Cet appareil ne contient aucune pièce remplaçable par l'utilisateur. Confiez toutes les réparations à un personnel qualifié. Le signe avec un éclair dans un triangle prévient l'utilisateur de la présence d'une tension dangereuse et non isolée dans l'appareil. Cette tension constitue un risque d'électrocution. Le signe avec un point d'exclamation dans un triangle prévient l'utilisateur d'instructions importantes relatives à l'utilisation et à la maintenance du produit.

Consignes de sécurité importantes

1. Veuillez lire toutes les instructions avant d'utiliser l'appareil.
2. Conserver ces instructions pour toute lecture ultérieure.
3. Lisez avec attention toutes les consignes de sécurité.
4. Suivez les instructions du fabricant.
5. Ne pas utiliser cet appareil près d'une source liquide ou dans un lieu humide.
6. Nettoyez l'appareil uniquement avec un tissu humide.
7. Veillez à ne pas obstruer les fentes prévues pour la ventilation de l'appareil. Installez l'appareil selon les instructions du fabricant.
8. Ne pas installer près d'une source de chaleur (radiateurs, etc.) ou de tout équipement susceptible de générer de la chaleur (amplificateurs de puissance par exemple).
9. Ne pas retirer la terre du cordon secteur ou de la prise murale. Les fiches canadiennes avec polarisation (avec une lame plus large) ne doivent pas être modifiées. Si votre prise murale ne correspond pas au modèle fourni, consultez votre électricien.
10. Protégez le cordon secteur contre tous les dommages possibles (pincement, tension, torsion, etc.). Veillez à ce que le cordon secteur soit libre, en particulier à sa sortie du boîtier.
11. Déconnectez l'appareil du secteur en présence d'orage ou lors de périodes d'inutilisation prolongées.
12. Consultez un service de réparation qualifié pour tout dysfonctionnement (dommage sur le cordon secteur, baisse de performances, exposition à la pluie, projection liquide dans l'appareil, introduction d'un objet dans le boîtier, etc.).

PRECAUCION: Para reducir el riesgo de incendios o descargas, no permita que este aparato quede expuesto a la lluvia o la humedad. Para reducir el riesgo de descarga eléctrica, nunca quite la tapa ni el chasis. Dentro del aparato no hay piezas susceptibles de ser reparadas por el usuario. Dirija cualquier reparación al servicio técnico oficial. El símbolo del relámpago dentro del triángulo equilátero pretende advertir al usuario de la presencia de "voltajes peligrosos" no aislados dentro de la carcasa del producto, que pueden ser de la magnitud suficiente como para constituir un riesgo de descarga eléctrica a las personas. El símbolo de exclamación dentro del triángulo equilátero quiere advertirle de la existencia de importantes instrucciones de manejo y mantenimiento (reparaciones) en los documentos que se adjuntan con este aparato.

Instrucciones importantes de seguridad

1. Lea todo este manual de instrucciones antes de comenzar a usar la unidad.
2. Conserve estas instrucciones para cualquier consulta en el futuro.
3. Cumpla con todo lo indicado en las precauciones de seguridad.
4. Observe y siga todas las instrucciones del fabricante.
5. Nunca utilice este aparato cerca del agua o en lugares húmedos.
6. Limpie este aparato solo con un trapo suave y ligeramente humedecido.
7. No bloquee ninguna de las aberturas de ventilación. Instale este aparato de acuerdo a las instrucciones del fabricante.
8. No instale este aparato cerca de fuentes de calor como radiadores, calentadores, hornos u otros aparatos (incluyendo amplificadores) que produzcan calor.
9. No anule el sistema de seguridad del enchufe de tipo polarizado o con toma de tierra. Un enchufe polarizado tiene dos bornes, uno más ancho que el otro. Uno con toma de tierra tiene dos bornes normales y un tercero para la conexión a tierra. El borne ancho o el tercero se incluyen como medida de seguridad. Cuando el enchufe no encaje en su salida de corriente, llame a un electricista para que le cambie su salida anticuada.
10. Evite que el cable de corriente quede en una posición en la que pueda ser pisado o aplastado, especialmente en los enchufes, receptáculos y en el punto en el que salen de la unidad.
11. Desconecte de la corriente este aparato durante las tormentas eléctricas o cuando no lo vaya a usar durante un periodo de tiempo largo.
12. Dirija cualquier posible reparación solo al servicio técnico oficial. Deberá hacer que su aparato sea reparado cuando esté dañado de alguna forma, como si el cable de corriente o el enchufe están dañados, o si se han derramado líquidos o se ha introducido algún objeto dentro de la unidad, si esta ha quedado expuesta a la lluvia o la humedad, si no funciona normalmente o si ha caído al suelo.

Table of Contents

ENGLISH	2	DEUTSCHE	
Introduction	2	Einleitung	24
RESOLV 65a Features	3	RESOLV 65a Features	25
RESOLV 65a Layout	4	RESOLV 65a Layout	26
Front View Layout	4	Vorderseite	26
Rear Panel Layout	5	Rückseite	27
Setting up the RESOLV 65a	6	RESOLV 65a einrichten	28
Positioning the Resolv 65a	6	Resolv 65a positionieren	28
Connecting the RESOLV 65a	8	RESOLV 65a anschließen	30
RESOLV 65a Control Panel	9	Brummgeräusche!	31
Powering the Resolv 65a	9	Eingänge und Ausgänge	32
The Ins and The Outs	10	Anschluss an den Resolv120a Subwoofer	33
Connecting to the Resolv120a Subwoofer	11	RESOLV 65a Anschlüsse	34
RESOLV 65a Connections	12	Technische Daten	46
Specifications	46		
FRANÇAIS	13	ESPAÑOL	
Introduction	13	Introducción	35
Caractéristiques de moniteurs RESOLV 65a	14	Características del RESOLV 65a	36
Présentation des moniteurs RESOLV 65a	15	Vista general del RESOLV 65a	37
Face avant	15	Vista del panel frontal	37
Face arrière	16	Vista del panel trasero	38
Configuration des moniteurs RESOLV 65a	17	Configuración del RESOLV 65a	39
Positionnement du Resolv 65a	17	Colocación del Resolv 65a	39
Configuration des moniteurs RESOLV 65a	18	Conexión del RESOLV 65a	41
Connexion des moniteurs RESOLV 65a	19	Manejo del RESOLV 65a	42
Mise sous tension des Resolv 65a	20	Encendido del Resolv 65a	42
Ronflements	20	Las entradas y salidas	43
Entrées et sorties	21	Conexión al subwoofer Resolv120a	44
Connexion au Subwoofer Resolv120a	22	Conexiones del RESOLV 65a	45
Connexion des entrées des moniteurs RESOLV 65a	23	Especificaciones técnicas	46
Caractéristiques techniques	46		

Copyright 2003 - 2005 Samson Technologies Corp.

Printed July, 2005 v4.0

Samson Technologies Corp.
575 Underhill Blvd.
P.O. Box 9031
Syosset, NY 11791-9031
Phone: 1-800-3-SAMSON (1-800-372-6766)
Fax: 516-364-3888
www.samsontech.com

Introduction

Thank you for purchasing the Samson RESOLV 65a Studio Reference Monitors. The Samson RESOLV 65a is a self powered 100 Watt monitor featuring an extended range 16.5 cm copolymer woofer and a 2.5 cm titanium dome tweeter. The RESOLV 65a is an ideal near field monitor system for studios, video post production suites, fixed installations or where great sound is desired.

In these pages, you'll find a detailed description of the features of the RESOLV 65a subwoofer, as well as a guided tour through its control panel, step-by-step instructions for its setup and use, and full specifications. You'll also find a warranty card enclosed—please don't forget to fill it out and mail it in so that you can receive online technical support and so we can send you updated information about these and other Samson products in the future.

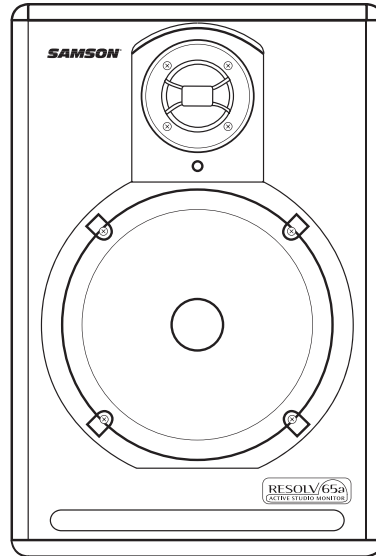
With proper care and adequate air circulation, your RESOLV 65a will operate trouble free for many years. We recommend you record your serial number in the space provided below for future reference.

Serial number: _____

Date of purchase: _____

Should your unit ever require servicing, a Return Authorization number (RA) must be obtained before shipping your unit to Samson. Without this number, the unit will not be accepted. Please call Samson at 1-800-3SAMSON (1-800-372-6766) for a Return Authorization number prior to shipping your unit. Please retain the original packing materials and if possible, return the unit in the original carton and packing materials.

RESOLV 65a Features

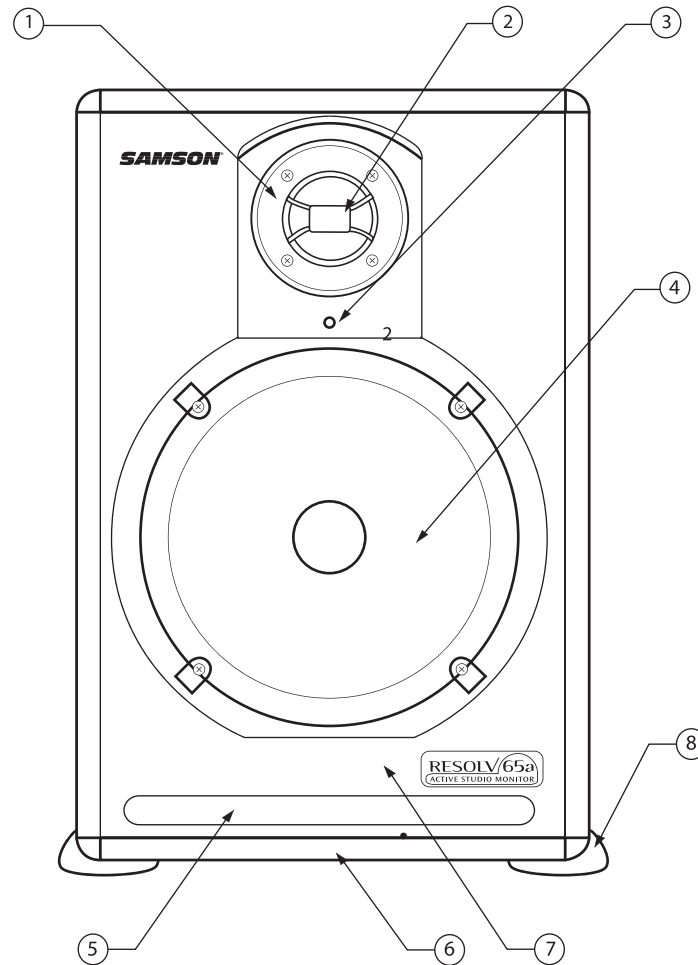


The Samson RESOLV 65a reference monitors provide a smooth response that is accurate, and at the same time pleasant to listen to. Here are some of its main features:

- Two-way, active studio reference monitor with ported tuned enclosure providing extremely accurate monitoring for recording studio, post-production and multi-media applications.
- 16.5 cm Copolymer Butyl Surround woofer provides tight and controlled low frequency response.
- 2.5 cm Titanium Dome tweeter with Neodymium magnet, plus Heat-sink and Ferro-Fluid Cooling provides smooth and sweet high frequency response.
- Bi-Amp Power with 75 watts on the LF driver and 25 watts on the HF driver.
- Four-position midrange Presence control allows the user to contour the response curve to emulate monitors from hi-fi, through flat and all the way to aggressive midrange nearfield.
- Active crossover utilizing a multi-pole design for linear response from bottom to top.
- XLR and 1/4-inch balanced inputs, as well as unbalanced RCA inputs make connecting to most any -10 or +4db signal source quick and easy.
- A/V shielded for multimedia applications providing clean operation near computer monitors.
- Solid MDF (Medium Density Fiberboard) construction, extremely rigid delivering maximum SPL.
- Black satin finish is attractive and durable thanks to the heavy textured epoxy paint.
- Three-year extended warranty.

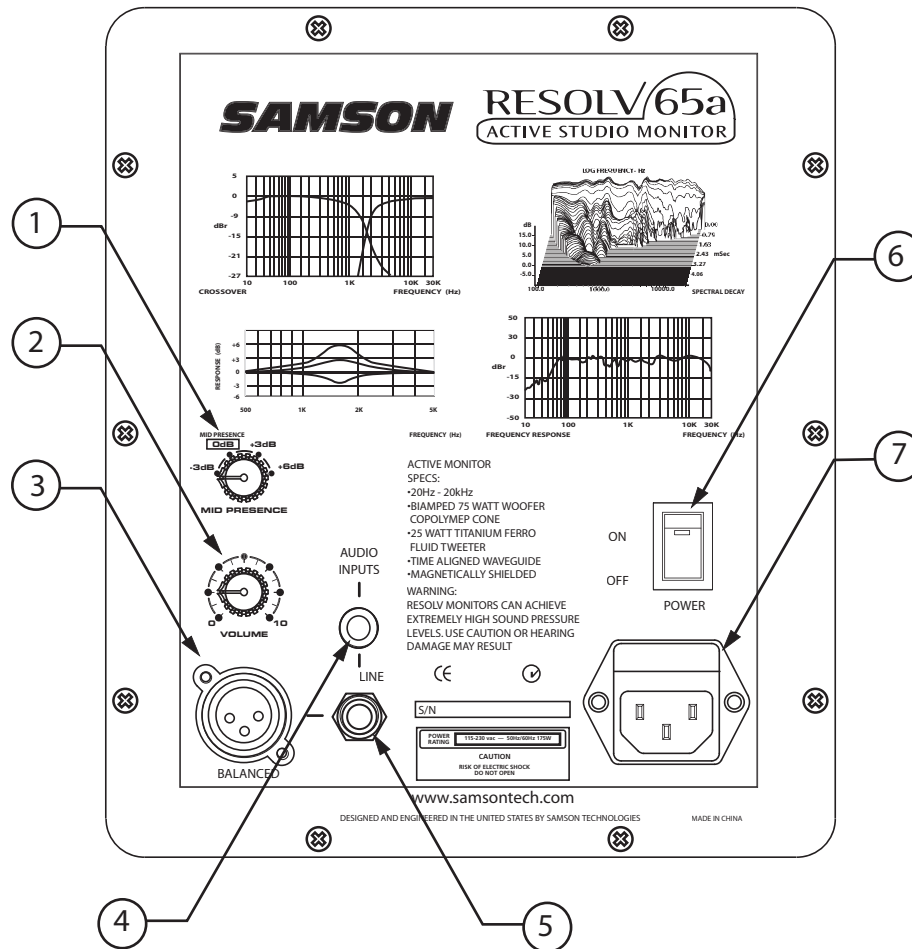
RESOLV 65a Layout

Front View Layout



- | | |
|--|---|
| <p>1 2.5 CM TITANIUM DOME TWEETER - Smooth high frequency response produced from titanium dome, Neodymium Magnet with Ferro-fluid plus Heat-sink cooling for high output.</p> <p>2 PHASE PLUG - Insures even dispersion of the high frequencies and improves off axis listening.</p> <p>3 POWER LED - Blue LED illuminates indicating the unit is powered on, ready for operation.</p> <p>4 16.5 CM LOW FREQUENCY DRIVER - Heavy duty 6.5," extended range low frequency transducer.</p> | <p>5 TUNED PORT - Quiet port design offering linear extended low frequency response.</p> <p>6 ENCLOSURE - Rigid MDF construction.</p> <p>7 FINISH - Sleek black textured finish.</p> <p>8 NON-SKID FEET - Large rubber feet keep enclosure in place even at high sound pressure levels.</p> |
|--|---|

Rear Panel Layout



- 1 **MID RANGE CONTOUR CONTROL** – Four-position switch used to adjust the midrange response (in 3dB increments) providing customized voicing from hi-fi, to aggressive mid-range, near-field monitoring.
- 2 **VOLUME** - Controls the amount of output level.
- 3 **XLR INPUT** - Balanced, line level input is connected here via standard XLR (microphone) cable.
- 4 **RCA** – Used to connect signals from unbalanced, –10dBV devices.
- 5 **1/4-INCH PHONE** – Balance TRS (Tip, Ring, Sleeve) 1/4-inch phone plug used to connect balanced or unbalanced line level signals.
- 6 **POWER SWITCH** – Main power switch. When set to the on position, illuminates green indicating the Resolv 65a is powered up and ready for operation.
- 7 **AC INLET** - Connect the supplied IEC power cable here.

Setting up the RESOLV 65a

Background on the Resolv 65a Studio Reference Monitor

The Resolv 65a is a near field reference monitor featuring a custom designed, 16.5 cm copolymer, low frequency driver and a 2.5 cm titanium tweeter, employing a Ferro fluid cooled voice coil and neodymium magnet. The monitor's crossover has been carefully designed with high quality components insuring a linear frequency and phase response. The Resolv 65a enclosure is constructed from MDF (Medium Density Fiberboard) and is finished in scuff resistant, textured paint. The monitor's enclosure also includes a tuned vent port that provides extended low-end response, and with a low turbulence design, the low frequency driver can move freely with minimal effect on the overall impedance. On the rear of the enclosure you'll find Resolv 65a's control panel, which features a variety of input connections including XLR balanced input, 1/4-inch TRS balance input and RCA unbalanced input. These inputs are connected to Resolv 65a's internal bi-amp power module providing 75 watts of power for the low frequency woofer, an active crossover, and 25 watts of power for the high frequency tweeter. You will also find the pre-amp controls, including VOLUME knob, used to adjust the overall level of the internal power amplifier, as well as the innovative MID PRESENCE control. This four-position switch allows the mix engineer to contour the mid-range response of the monitor from a traditional hi-fi sound to flat and then through two levels of aggressive mid-range response. The Resolv 65a has been designed to provide flat, accurate monitoring, and at the same time, to provide an adjustable response curve so that the sound of other popular nearfield monitors can be easily emulated.

Positioning the Resolv 65a

Near field monitoring has become the choice of many engineers in large and small studios because it minimizes the effect of room acoustics. This is especially important in today's project studios since the budget for room acoustics is often close to nothing. By positioning the reference monitors in the near field (close to the listeners), you can greatly reduce the effects of room acoustics. The most important considerations when evaluating the effects of room acoustics are reflective surfaces that are around the monitoring area. These can include flat tabletops, glass mirrors or framed pictures, large open walls and even the surface of your mixing console. Mostly all reflecting sound will eventually reach the listening position, but since it is slightly delayed from the direct source, the result is random cancellation of some frequencies, or comb filtering. If possible, remove any and all reflective surfaces. You may also want to hang some acoustic foam on walls that are close to the monitors. When positioning the monitors you'll want to set up what is commonly referred to as the "mix triangle". In this ideal configuration, the space between the left and right monitor is equal to the distance from the listener to each monitor, forming an equilateral triangle. (Figure 1.)

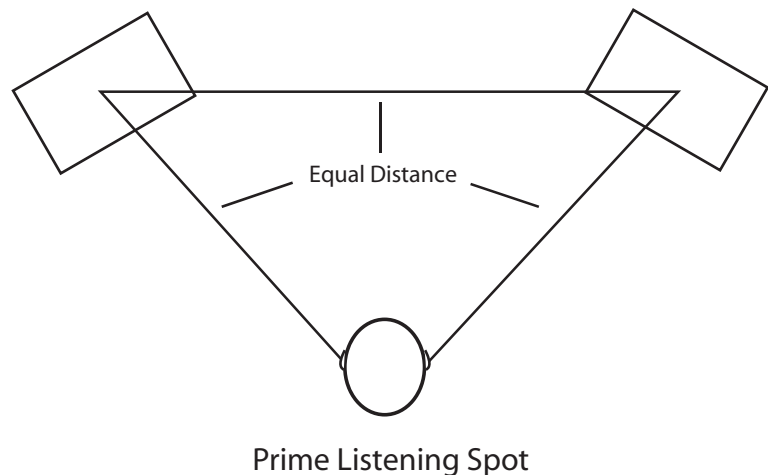


Figure 1.

Setting up the RESOLV 65a

Positioning the Resolv 65 - continued

Speaker Orientation

The Resolv 65a's can be used in either the vertical or horizontal position. When using the monitors in the horizontal position, be certain to place the left and right side tweeters on the outer most sides. (Figure 2) This will improve the stereo imaging and bass response by increasing the coupling of the low-end drivers.



Figure 2.

A Moment of Reflection

When choosing the height of your monitor system, be careful to avoid reflections off the surface of the mixing console. (Figure 3.) These reflections arrive at the listening position slightly delayed from the original sound resulting in strange cancellations and overall unpredictable response. Visualize straight lines representing the beams of sound radiating from the monitors and choose a height that reduces the occurrence of reflections that will end up in the prime listening spot. (Figure 4.) In most cases, the ideal position is slightly behind and above the mixing console's meter bridge.

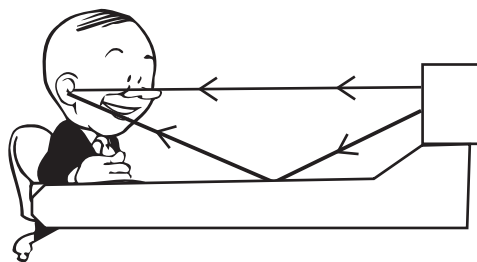


Figure 3.

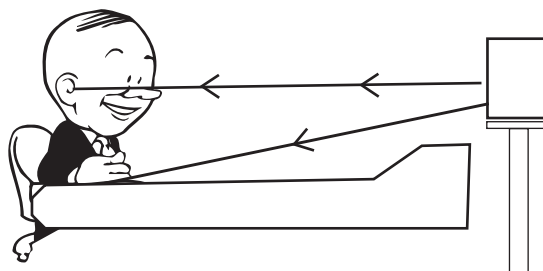


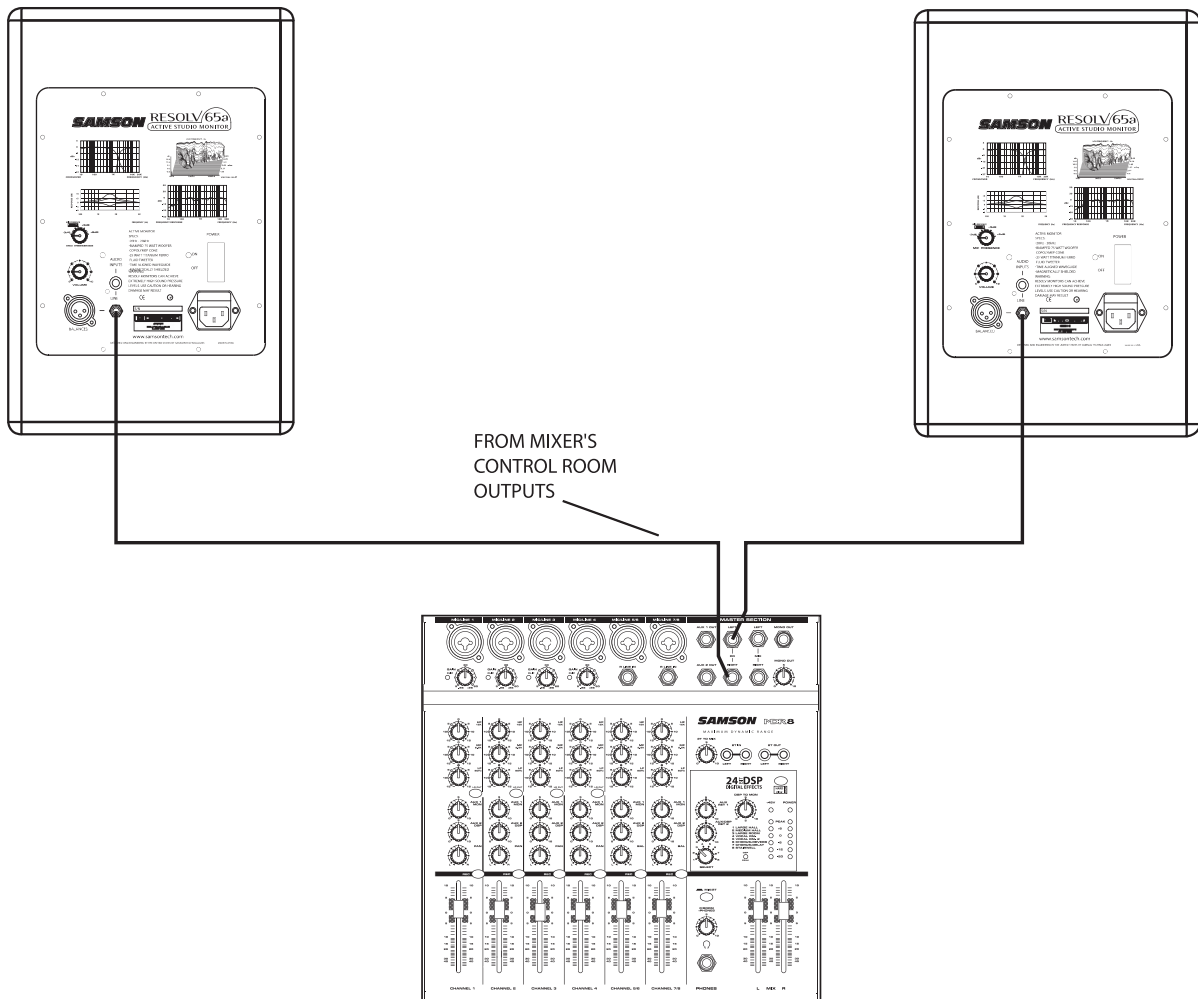
Figure 4.

Connecting the RESOLV 65a

Resolv 65a Quick Connections

Note: Before plugging in and turning on, remember the “last on first off” rule of power amplifiers (and powered monitors). When powering up your system, be sure that all the wires are connected, turn your mixer and any other outboard gear on, and then last turn your RESOLV 65a’s on. When powering down, turn your RESOLV 65a’s off first and then your mixer and outboard gear.

The Resolv 65a connections can be made via one of the three rear panel Audio Inputs. You can use RCA inputs for unbalanced -10dBV level signals, or either the 1/4-inch or XLR inputs for balanced +4dBu level signals. Follow the simple steps and diagram below for a quick connection using a standard recording console’s control room outputs.



- Lower your mixer’s master outputs to all the way off.
- Connect the mixer’s left Control Room output to the left-side RESOLV 65a LINE INPUT and the mixer’s right Control Room output to the right-side RESOLV 65a LINE INPUT.
- Set the Resolv 65a’s input Volume control to the 2 o’clock position.
- Run an audio signal (like some music from a CD) through your mixer and raise the Control Room level to a comfortable listening level.

Operating the RESOLV 65a

RESOLV 65a Control Panel

The Resolv 65a's rear control panel is where you will make your connections for both AC power and audio signals. The rear panel is also contains the controls to make adjustments to the overall volume and frequency response curve. The following section details the rear panel controls and connections.

Powering the Resolv 65a

Since the Resolv 65a is an active studio monitor with an on-board power amplifier and electronic crossover, it is necessary to connect the unit to an AC power supply. Make sure that the main Power switch is set to the off position and connect the supplied IEC power cable into the AC inlet.

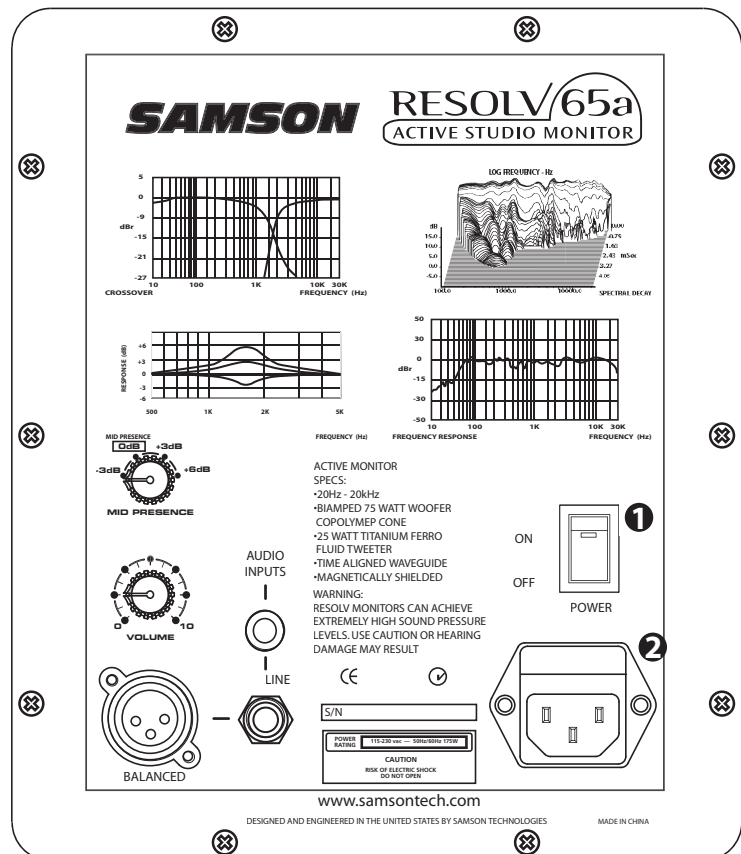
Things that go Hum!

When running power cables, be careful not to run the AC power cords or AC extension cords in parallel to your input cables. This will help reduce any AC hum that can be picked up. If you have to cross an AC line with an audio line, try to cross them at a 90 degree angle for the least amount of induced hum. Using the Resolv 65a's balanced input connectors will greatly protect against the induced hum thanks to the common mode rejection (the induced hum is phase canceled) that its balanced input circuit provides.

1 POWER SWITCH – The POWER switch is used to turn on the Resolv 65a's active electronics. When set to the on position, the internal LED will illuminate green, indicating the Resolv 65a is powered up and ready for operation. The Resolv 65a also has a blue LED which illuminates when the unit is powered up.

2 AC INLET - Connect the supplied IEC power cable here.

The Resolv 65a's rear panel provides two important controls for adjusting the overall sound of the monitor, Mid-Presence and Volume. Eventually, you will adjust these controls to your preferable position and "set it and forget it". That's assuming that the monitors remain in the same spot, in the same studio. If you take your monitors to other studios you may find the controls extremely useful in adjusting the sound for the new room.



Operating the RESOLV 65a

RESOLV 65a Control Panel - continued

3 MID PRESENCE CONTROL

The four-position Mid Presence control switch is used to adjust the mid-range response (in 3dB increments), providing customized voicing from hi-fi to aggressive mid-range, near-field monitoring. There are many mix engineers that prefer the sound of near field monitors that have an aggressive midrange response. In a typical recording, the mid range is often where many parts of the music compete for the same frequency range. Having a slight 'bump' is like having a microscope on the heavy traffic area. You'll find that the change is very subtle. The best way to set the controls is what sounds good to you. Therefore, you should experiment with the various settings to find the combination of the Mid-Presence and Volume controls you like. To do this play several CD's of music that you are familiar with. Remember, if you think you're getting lost, the Resolv 65a is flat when the Presence control is set to the "0" position.

4 VOLUME CONTROL

The volume control used to adjust the overall output level of the Resolv 65a. When operating the unit for the first time, start with the volume control set all the way off. Slowly raise the Volume control to reach a comfortable listening level.

The Ins and The Outs

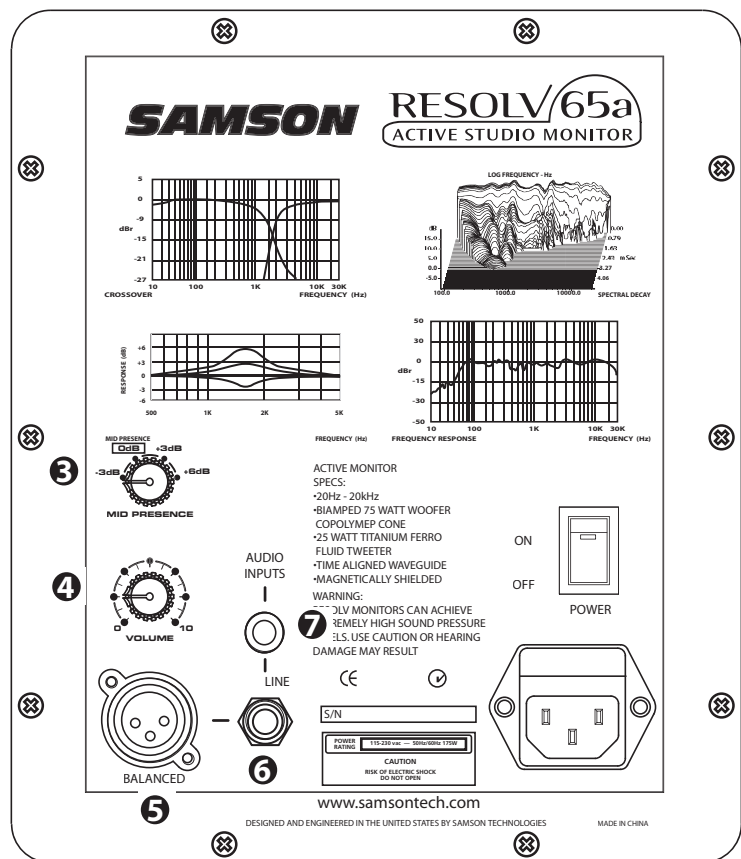
The RESOLV 65a features a full complement of input connectors providing easy installation with a variety of audio devices like recording consoles, hard disk recorders, CD players and computer sound cards, to name a few. The following section details the Resolv 65a's input connectors. In addition, there is a detailed cable-wiring diagram on page 12.

5 BALANCED XLR AUDIO INPUT

The Resolv 65a features a female XLR connector that will accept balanced or unbalanced +4dBm line level signal. If you are using a mixer that has balanced outputs on XLR connectors, you can make the connections via standard XLR (microphone) cable.

6 1/4-INCH PHONE AUDIO INPUT – A balanced TRS (Tip, Ring, Sleeve) 1/4-inch phone plug is used to connect balanced or unbalanced line level signals. The 1/4-inch input is a switching jack, so when a 1/4-inch connector is inserted into the jack, the RCA and/or XLR inputs are switched off and the 1/4-inch input is switched on. This provides a convenient patch point for quick insertion of a secondary signal source for testing or expanded operation.

7 RCA AUDIO INPUT – The RCA input accepts unbalanced signals used to connect signals from unbalanced –10dBV devices.

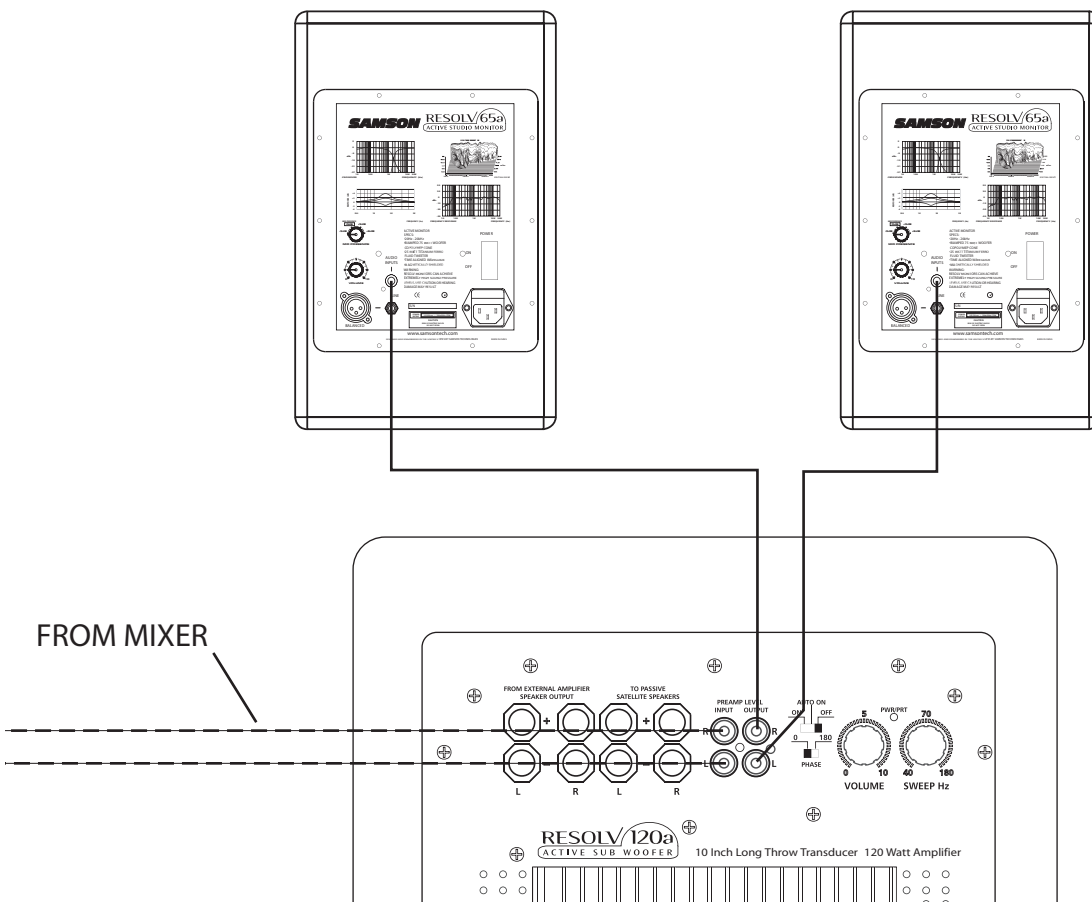


is

Connecting to the Resolv120a Subwoofer

Resolv 65a with Mono Sub

Adding a subwoofer and extended low frequency response to your Resolv 65a system is easy using the RESOLV 65a's LINE LEVEL inputs. Below is a typical system set-up using the RESOLV 120a with a mixer and a pair of Resolv 65a's satellite speakers. The RESOLV 65a's inputs utilize industry standard RCA connectors. For a detailed wiring diagram, see the section "RESOLV 65a Connections" on page 12. Follow the steps in the diagram below to set up your system.



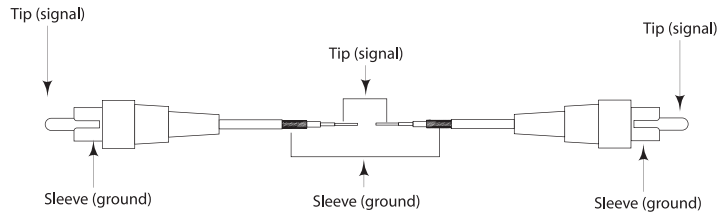
- Lower your mixer's master outputs to all the way off.
- Connect the mixer's left output to the RESOLV 120's LEFT LINE INPUT and the mixer's right output to the RESOLV 120's RIGHT LINE INPUT. Now connect the RESOLV 120's LEFT LINE OUTPUT to the input of the left RESOLV 65a, and the RESOLV 120's RIGHT LINE OUTPUT to the input of the right RESOLV 65a.
- Run an audio signal (like some music from a CD) through your mixer and raise the level to a comfortable listening level.
- Now adjust the SWEEP control to the desired frequency. Consult your studio monitors owner's manual for a recommended crossover point. You can also use your ears by adjusting the SWEEP control to the frequency that sounds good to you. A good place to start is about 70 Hz.

RESOLV 65a Connections

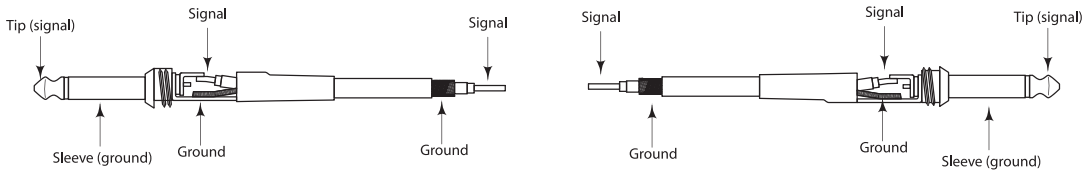
RESOLV 65a Wiring Guide

There are several ways to interface the RESOLV 65a, depending on your exact monitoring set-up. Follow the cable diagrams below for connecting your monitor system.

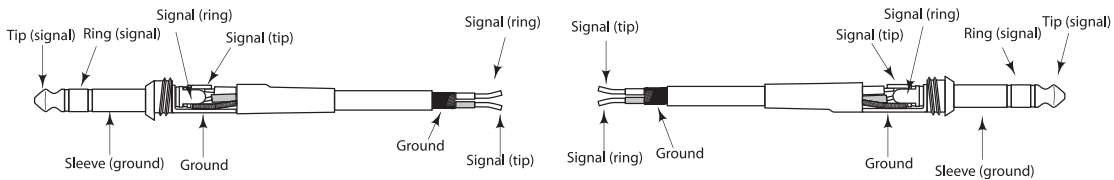
RCA to RCA Cable



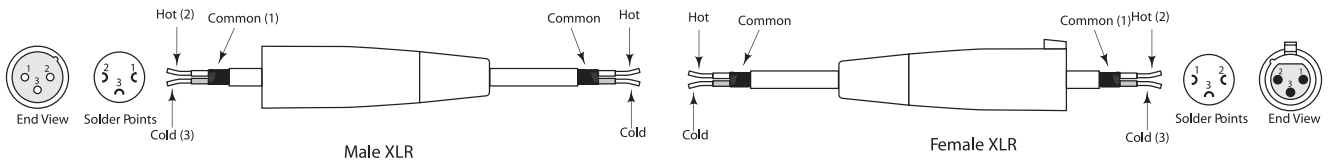
Un-Balanced 1/4" to 1/4" Cable



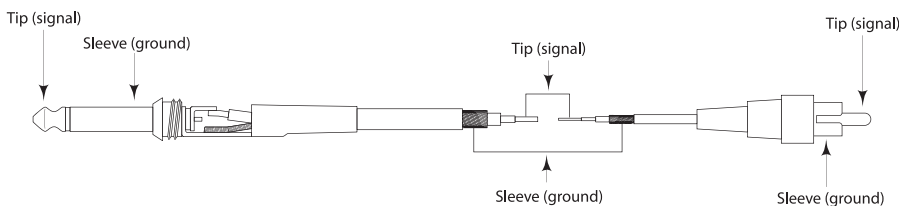
Balanced 1/4" to 1/4" Cable



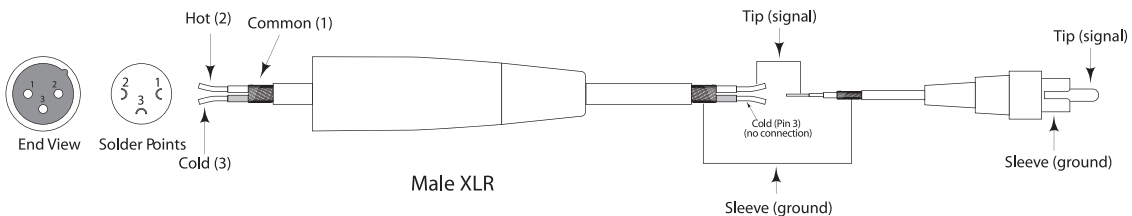
Balanced XLR to XLR Cable



Unbalanced 1/4" to RCA Cable



Un-Balanced XLR to RCA Cable



Nous tenons à vous remercier d'avoir choisi les moniteurs de studio Samson RESOLV 65a. Les moniteurs Samson RESOLV 65a sont actifs, bi-amplifiés (75 + 25 Watts), d'un Woofer de 16,5 cm avec membrane en copolymère et d'un Tweeter à dôme au titane de 25 mm. Les RESOLV 65a sont d'excellents moniteurs de proximité pour les studios, la post-production vidéo, les installations fixes nécessitant des écoutes d'une qualité parfaite.

Dans ces pages, vous trouverez une description détaillée de toutes les fonctions des moniteurs RESOLV 65a, ainsi qu'une description des réglages, des connexions, de son utilisation et de ses caractéristiques techniques. Vous trouverez également une carte d'enregistrement — n'oubliez pas de la remplir et de nous l'envoyer afin de recevoir notre lettre d'information et de pouvoir accéder à notre service technique.

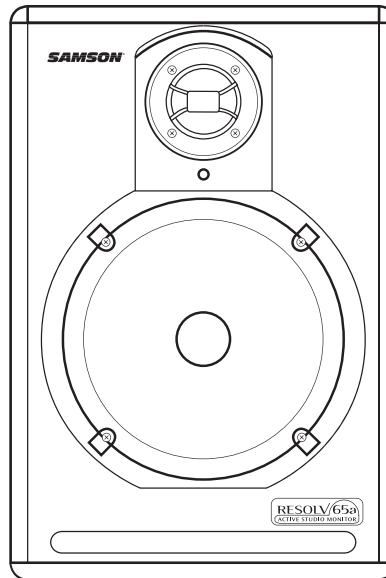
Installez et utilisez votre RESOLV 65a avec soin et veillez à assurer une ventilation suffisante. Nous vous recommandons de noter le numéro de série du produit ci-dessous pour toute référence ultérieure.

Numéro de série : _____

Date d'achat : _____

Si vous devez faire réparer l'appareil, vous devez tout d'abord obtenir un numéro de retour auprès de Samson. Sans ce numéro, l'appareil sera refusé. Contactez Samson aux USA au : 1-800-3SAMSON (1-800-372-6766) ou contactez votre revendeur. Les conditions de garantie et de retour varient selon le pays de distribution. Conservez l'emballage d'origine et utilisez-le pour tout retour en atelier.

Caractéristiques de moniteurs RESOLV 65a

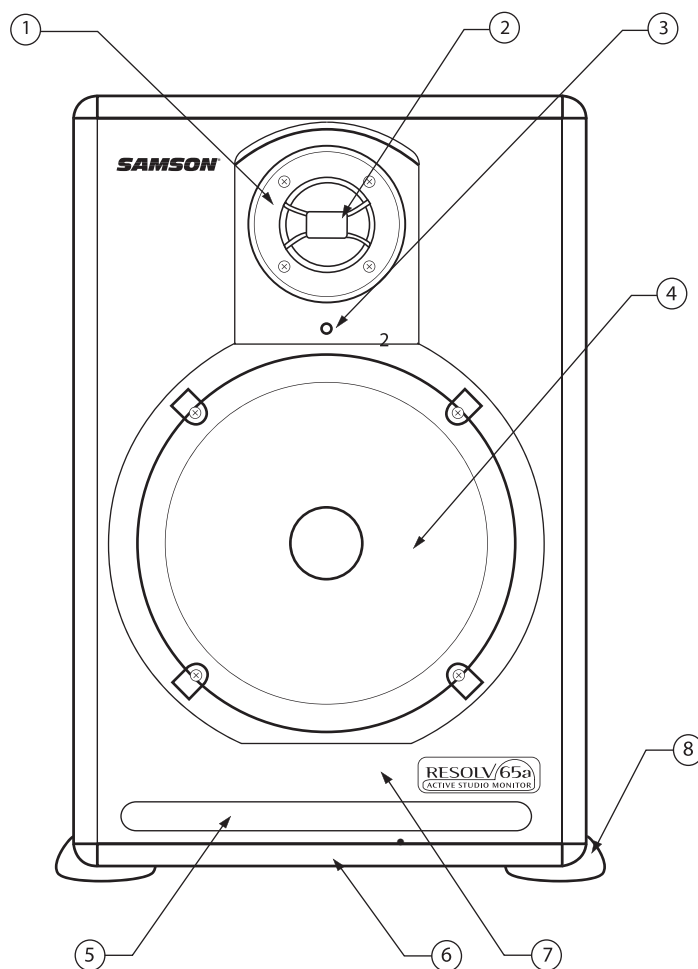


Les moniteurs Samson RESOLV 65a offrent une réponse linéaire et précise tout en restant très agréables à l'écoute. Voici les caractéristiques générales :

- Moniteur de studio actif deux voies avec baffle accordé offrant une écoute extrêmement fidèle pour les studios d'enregistrement, de post-production et les applications multi-media.
- Woofer de 16,5 cm avec suspension en Copolymère Butyle pour une réponse précise et étendue dans les basses fréquences.
- Tweeter à dôme au titane de 2,5 cm avec aimant au Néodymium. La structure de refroidissement et l'assemblage Ferro-Fluid offrent une réponse douce et fidèle dans les aigus.
- Bi-amplification : 75 Watts pour le Woofer et 25 Watts pour le Tweeter.
- Réglage de présence des médiums à quatre positions permettant d'émuler la réponse d'enceintes hi-fi, plates, ainsi qu'une accentuation sensible des médiums.
- Filtre actif multi-pôle pour une réponse linéaire sur toute l'étendue du spectre sonore.
- Entrées symétriques XLR et Jack 6,35 mm, et entrées asymétriques RCA permettant l'utilisation de signaux à -10 ou +4 dB.
- Blindage magnétique pour les applications multimédia (utilisation près d'écrans vidéo).
- Baffle en panneaux de particules MDF, pour une puissance maximale exempte de vibrations.
- Finition noire satinée très robuste avec peinture ultra-résistante à base d'époxy.
- Garantie de 3 ans (variable selon le pays de distribution — consultez votre revendeur).

Présentation des moniteurs RESOLV 65a

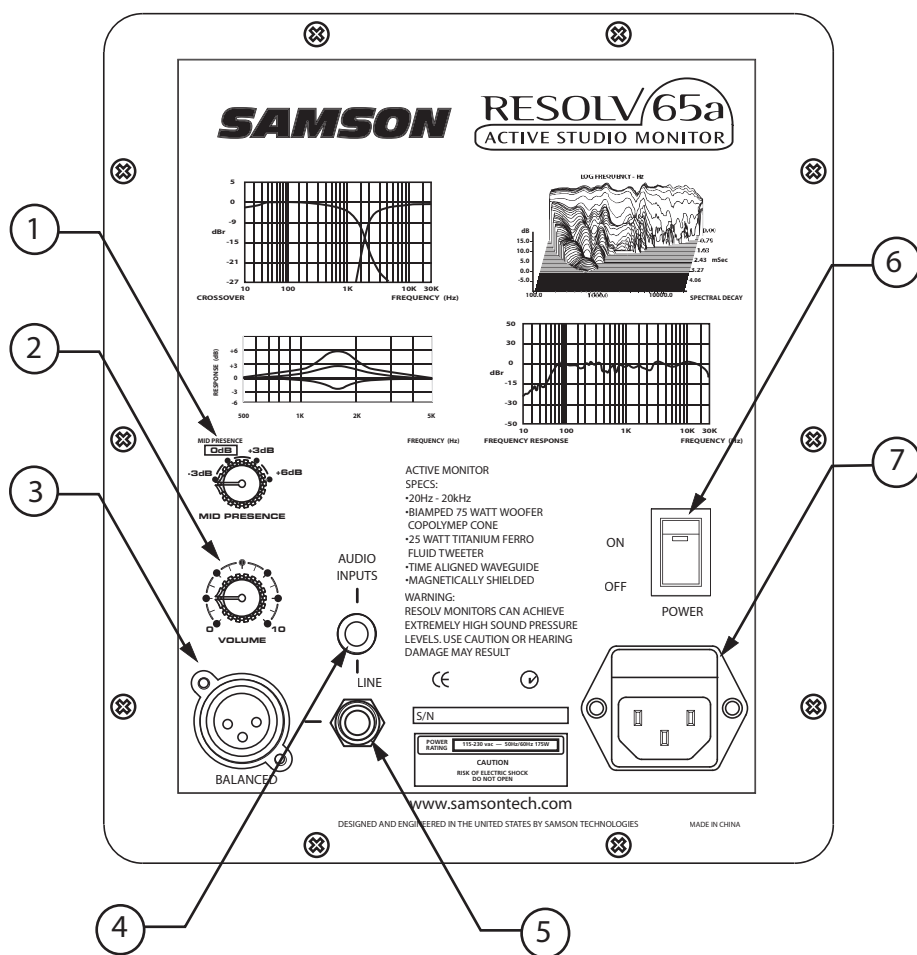
Face avant



- 1 TWEETER À DÔME AU TITANE DE 25 MM** - Réponse douce dans les aigus assuré par le dôme au titane, l'aimant Ferro-fluide au néodymium et le radiateur de refroidissement pour une puissance de sortie accrue.
- 2 AXE DE MISE EN PHASE** - Assure une dispersion homogène des hautes fréquences et améliore l'écoute hors-axe.
- 3 LED POWER** - La Led bleue indique que le moniteur est sous tension et prêt à l'utilisation.
- 4 WOOFER DE 16,5 CM** - Woofer de 16,5 cm à réponse étendue dans les basses fréquences.
- 5 ÉVENT ACCORDÉ** - Évent accordé offrant une réponse linéaire étendue dans les basses fréquences.
- 6 BAFFLE** - Baffle à panneaux de particules MDF.
- 7 FINITION** - Superbe finition noire.
- 8 PIEDS ANTI-DÉRAPANT** - Pieds en caoutchouc de grande taille assurant l'ancrage parfait du moniteur en présence de fortes pressions sonores.

Présentation des moniteurs RESOLV 65a

Face arrière



1 RÉGLAGE DE LA RÉPONSE DANS LES MÉDIUMS – Sélecteur à quatre positions permettant de modeler la réponse dans les basses fréquences (par pas de 3 dB) et d’obtenir une réponse similaire à celle d’enceintes hi-fi, ou d’accentuer les médiums.

2 VOLUME - Détermine le niveau général.

3 ENTRÉE XLR - Entrée XLR symétrique à niveau ligne. Utilise un câble micro standard.

4 RCA – Permet la connexion de signaux asymétriques à -10 dBV.

5 ENTRÉE JACK 6,35 MM – Jack stéréo 6,35 mm symétrique (pointe, bague, corps) permettant la connexion de signaux symétriques ou asymétriques à niveau ligne.

6 INTERRUPTEUR SECTEUR – Interrupteur secteur principal. En position ON, il s’allume en vert, ce qui indique que le moniteur est sous tension et prêt à l’utilisation.

7 EMBASE SECTEUR - Utilisez cette embase pour connecter le cordon secteur fourni.

Configuration des moniteurs RESOLV 65a

Généralités sur les moniteurs de référence Resolv 65a

Les Resolv 65a sont des moniteurs de référence de proximité équipés d'un Woofer de 16,5 mm avec membrane en Copolymère et d'un Tweeter au titane de 2,5 cm avec bobine Ferro fluide refroidie et aimant au néodymium. Le filtre actif du moniteur a été conçu avec des composants de très haute qualité pour assurer une réponse en fréquence linéaire tout en minimisant les déphasages dans la zone de transition. Le baffle du Resolv 65a est construit à base de panneaux de particules de moyenne densité (MDF) recouverts d'une peinture ultra-résistante. Le baffle du moniteur est équipé d'un évent accordé offrant une réponse étendue dans les basses fréquences avec une génération minimum de turbulences acoustiques : le Woofer peut se déplacer en toute liberté, avec une incidence minimale sur les variations d'impédance. En face arrière, vous trouverez les réglages du Resolv 65a, comprenant de nombreux connecteurs d'entrée, dont une embase XLR symétrique, un Jack stéréo 6,35 mm symétrique et des entrées RCA asymétriques. Ces entrées sont directement reliées au module interne bi-amplifié avec filtre actif du moniteur Resolv 65a, délivrant une puissance de 75 Watts pour le Woofer, et 25 Watts pour le Tweeter. Les réglages du préamplificateur offrent un bouton de VOLUME (permettant de régler le volume général du moniteur) et un sélecteur MID PRESENCE. Ce sélecteur à quatre positions permet à l'ingénieur du son de modifier la réponse dans les médiums pour obtenir une réponse semblable à celle d'enceintes hi-fi ou bien une réponse plate (en passant par deux réglages de réponse des médiums). Le moniteur Resolv 65a a été conçu pour offrir une réponse plate et une écoute précise et fidèle du signal. La modification de la réponse vous permet d'émuler facilement certains autres moniteurs du marché.

Positionnement du Resolv 65a

L'écoute de proximité est devenu le moyen de contrôle privilégié par les ingénieurs du son dans les studios de petite ou de grande taille car ce type d'écoute minimise l'incidence de l'acoustique de la pièce sur l'écoute. Ceci est particulièrement important dans les studios de maquette d'aujourd'hui où le budget de traitement acoustique de la pièce d'écoute est très faible, voire nul. En plaçant les moniteurs à proximité de l'auditeur, vous réduisez grandement l'incidence de l'acoustique de la pièce sur la sonorité globale. Le problème le plus important dans l'acoustique de la pièce vient des surfaces réfléchissantes autour de la zone d'écoute. Celles-ci peuvent être constituées de tables, miroirs ou cadres, murs de grandes dimensions, voire même la surface de votre console de mixage. Les sons réfléchis atteignent l'auditeur d'une façon ou d'une autre, mais les retards produits par les réflexions génèrent des déphasages sonores, atténuation de certaines fréquences ou effets de filtres en peigne. Dans la mesure du possible, supprimez toutes les surfaces réfléchissantes. Il est possible de tendre un tissu acoustique sur les murs près des moniteurs. Il est important de créer un "triangle" d'écoute". Grâce à cette configuration idéale, l'auditeur et les moniteurs forment un triangle équilatéral parfait (Figure 1).

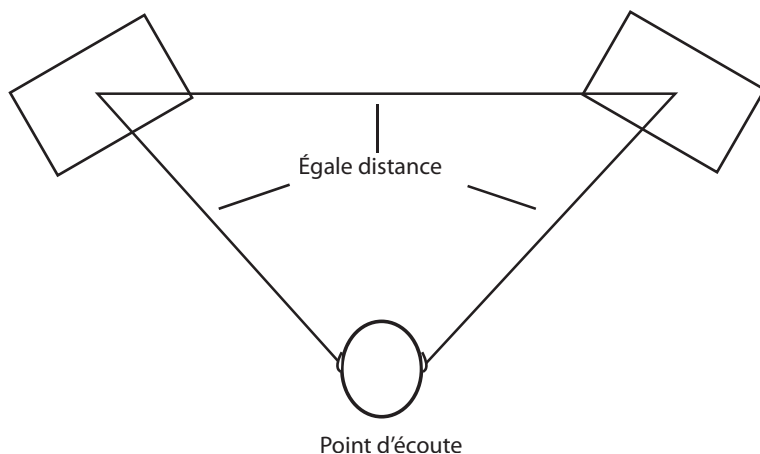


Figure 1.

Configuration des moniteurs RESOLV 65a

Positionnement des moniteurs Resolv 65 - suite...

Orientation des enceintes

Les moniteurs Resolv 65a peuvent être utilisés en position verticale ou horizontale. Lorsque vous utilisez les moniteurs en position horizontale, assurez-vous de placer les Tweeter à l'extérieur des enceintes (Figure 2). Ceci améliorera la définition stéréo et la réponse dans les basses en améliorant le couplage des Woofers.



Figure 2.

Quelques réflexions...

Lorsque vous choisissez la hauteur de vos moniteurs, évitez de créer des réflexions sur la surface de la console (Figure 3). Ces réflexions atteignent la position d'écoute avec un temps de retard qui crée des annulations de fréquences et une réponse incontrôlables. Représentez-vous des lignes droites représentant la projection du signal sonore en provenance des moniteurs et sélectionnez une hauteur permettant de réduire les réflexions atteignant le point d'écoute (Figure 4). Dans la plupart des cas, la position idéale correspond au point situé au-dessus et en arrière du bandeau de VU-mètres.

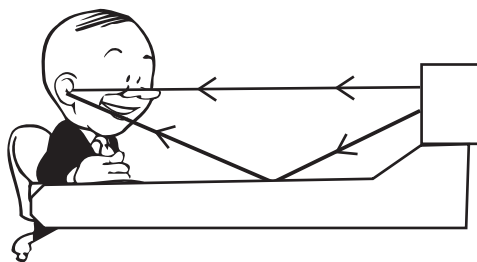


Figure 3.

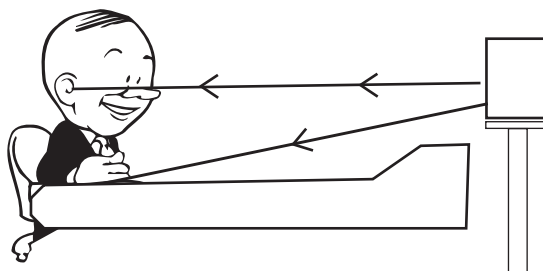


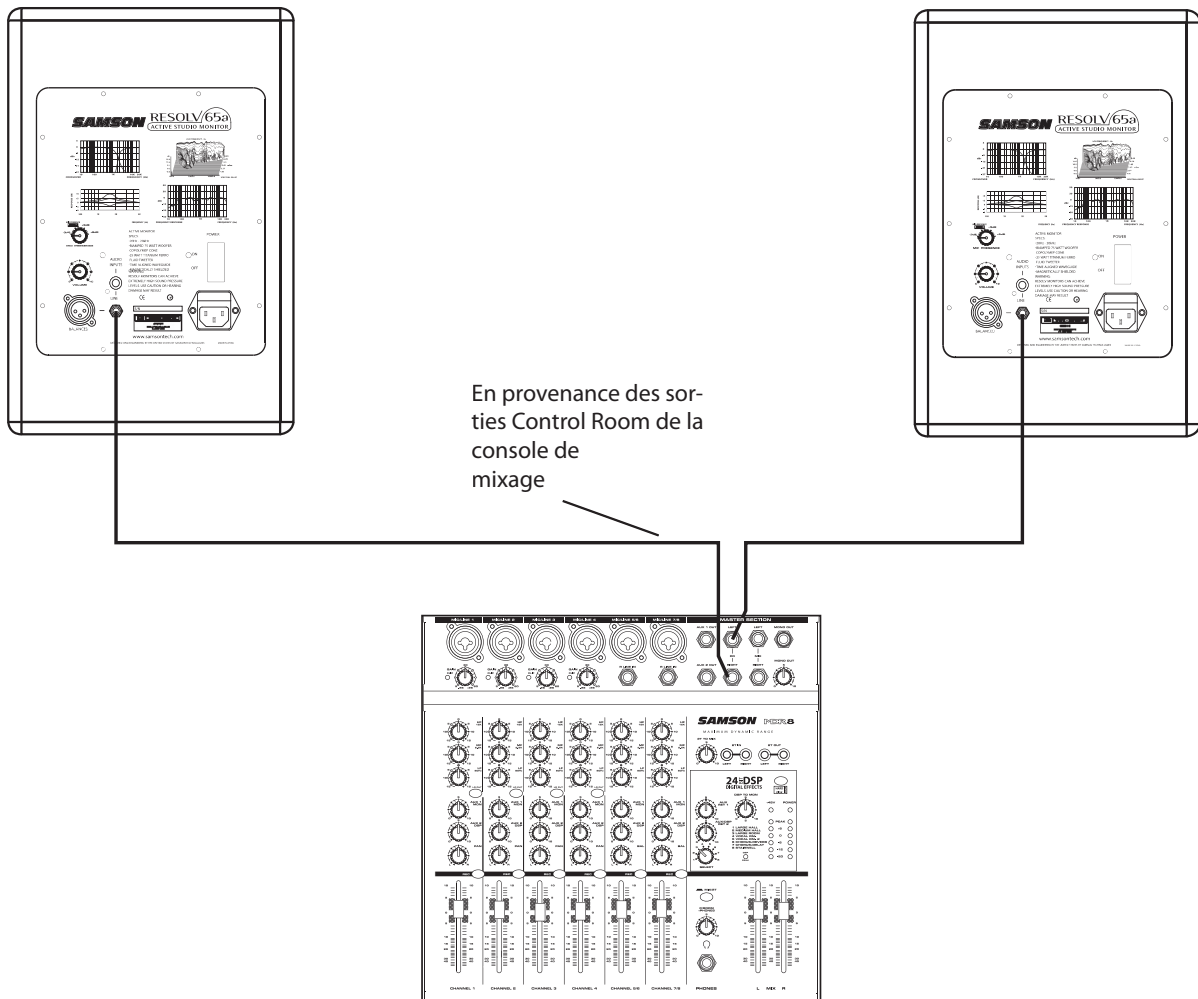
Figure 4.

Connexion des moniteurs RESOLV 65a

Connexion rapide des moniteurs Resolv 65a

Remarque : Avant de réaliser les connexions et de placer les enceintes sous tension, souvenez-vous de la règle de mise sous/hors tension des équipements. L'appareil placé sous tension en dernier doit être placé hors tension en premier. Avant la mise sous tension, assurez-vous que tous les câblages sont corrects. Placez votre console de mixage sous tension ainsi que tous les équipements externes, puis, en dernier, les moniteurs RESOLV 65a. Lors de la mise hors tension, placez les RESOLV 65a hors tension en premier, puis la console de mixage et les équipements périphériques.

Les Resolv 65a utilisent trois formes d'entrées : RCA (signaux asymétriques à -10 dBV), ou les entrées Jack 6,35 mm ou XLR pour les signaux symétriques à +4 dBu.



- Diminuez le niveau de sortie de votre console de mixage au minimum.
- Reliez la sortie Control Room gauche de la console à l'entrée LINE INPUT du moniteur RESOLV 65a de gauche, et la sortie Control Room droite de la console à l'entrée LINE INPUT du moniteur RESOLV 65a de droite.
- Réglez le volume des Resolv 65a en position 2 heures.
- Utilisez le signal d'un CD pour réaliser les essais, augmenter le niveau de la sortie Control Room de la table de mixage jusqu'à obtenir un niveau d'écoute confortable.

Utilisation des moniteurs RESOLV 65a

Réglages des RESOLV 65a

La face arrière des Resolv 65a regroupe les connexions audio, l'embase secteur et les réglages de vo-lume et de modification de la courbe de réponse.

Mise sous tension des Resolv 65a

Les Resolv 65a sont des moniteurs actifs avec amplificateurs de puissance et filtres actifs intégrés. Il est donc nécessaire de les raccorder au secteur pour assurer leur fonctionnement. Assurez-vous que l'interrupteur secteur de la face arrière est sur OFF avant de connecter le cordon secteur.

Ronflements

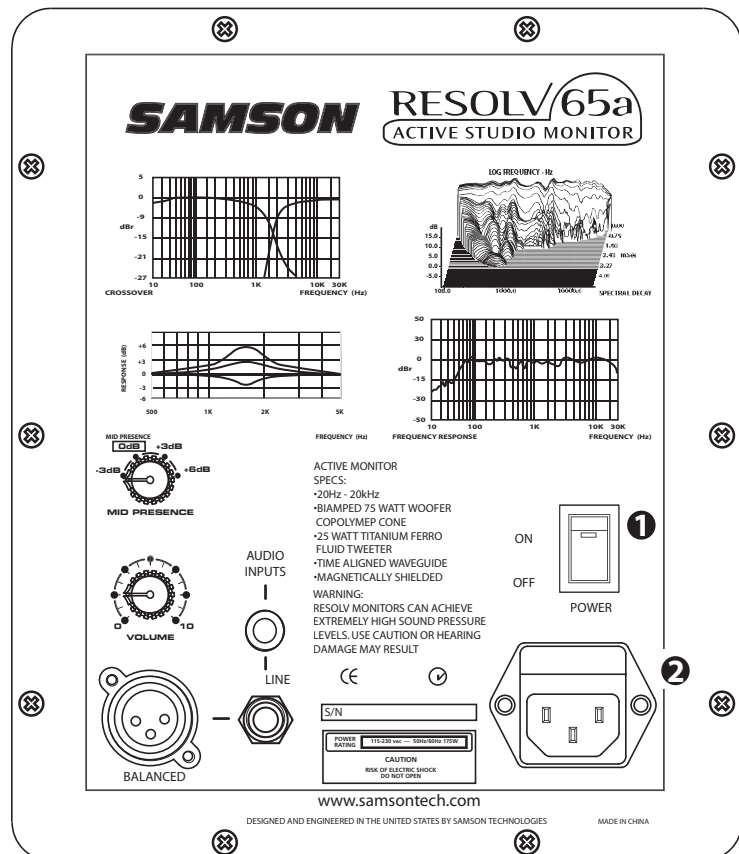
Veillez à toujours séparer les cordons secteur des câbles audio pour éviter toute induction de ronflement. Si vous devez croiser les cordons, veillez à les croiser avec un angle de 90 degrés. L'utilisation des entrées symétriques des Resolv 65a évite l'apparition de ronflements induits par les câbles (le déphasage de la ligne symétrique annule en effet ces ronflements).

1 INTERRUPTEUR SECTEUR –

L'interrupteur secteur POWER permet de placer les moniteurs sous/hors tension. Lorsque les enceintes sont sous tension, la Led de l'interrupteur s'allume en vert. Les Resolv 65a sont également équipées d'une Led bleue située en face avant allumée lors du fonctionnement.

2 EMBASE SECTEUR - Utilisez cette embase pour connecter le cordon secteur fourni.

La face arrière des Resolv 65a regroupe deux fonctions importantes permettant de régler le volume et la courbe de réponse des enceintes. Vous pouvez modifier ces réglages selon votre souhait. Vous n'avez plus à modifier ces réglages tant que les enceintes restent dans la même position et dans le même studio. Si vous utilisez vos moniteurs dans un lieu différent, il vous suffit de modifier les réglages en fonction de l'acoustique de la pièce.



Utilisation des moniteurs RESOLV 65a

Réglages des moniteurs RESOLV 65a - suite...

③ RÉGLAGE DE PRÉSENCE DES MÉDIUMS

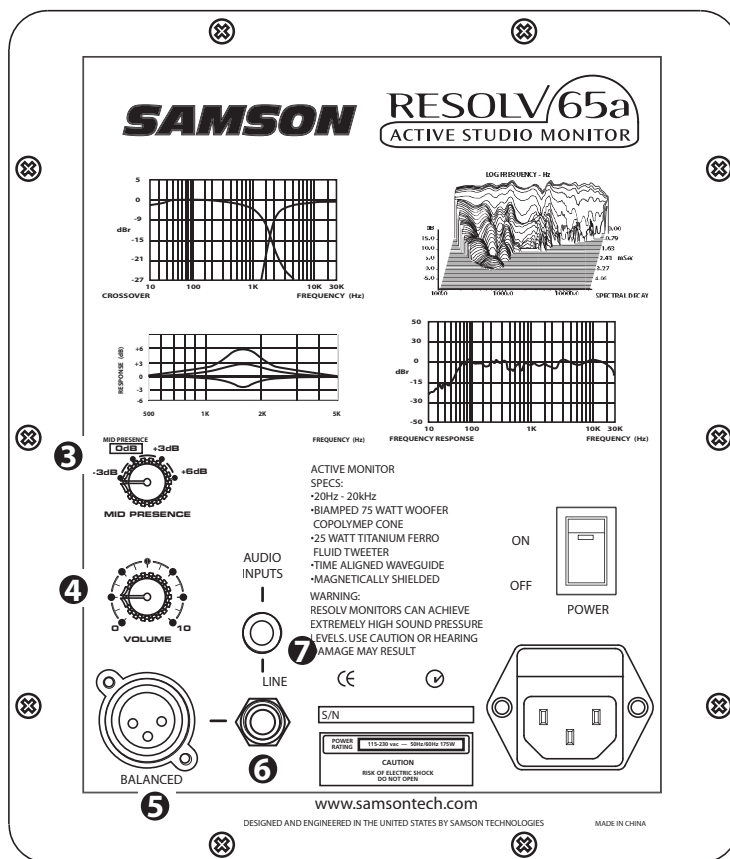
Le sélecteur à quatre positions Mid Presence permet de modifier la réponse dans les médiums de l'enceinte (par pas de 3 dB), permettant d'obtenir une réponse de type "hi-fi" à une réponse avec des médiums agressifs pour l'écoute de proximité. De nombreux ingénieurs du son préfèrent des moniteurs de proximité avec une réponse agressive dans les médiums. Dans un enregistrement typique, les médiums sont la partie du spectre sonore comprenant la plus grande densité d'informations sonores. Une légère bosse dans les médiums permet de mettre en évidence la partie du spectre contenant le plus d'informations. Vous verrez que la variation est très subtile. La meilleure façon de décider quel réglage vous convient le mieux consiste à utiliser vos oreilles comme juge. Essayez les différents réglages de médium et de volume pour trouver quelle configuration vous convient le mieux. Utilisez des CD que vous connaissez bien. En cas de doute, revenez à la position "0" du réglage de Presence.

④ VOLUME

Le volume détermine le niveau sonore de l'enceinte. Lorsque vous utilisez les moniteurs pour la première fois, placez le volume au minimum et augmentez progressivement.

Entrées et sorties

Les RESOLV 65a disposent de nombreux connecteurs d'entrées et de sorties pour assurer une installation simple avec de nombreux équipements audio (consoles d'enregistrement, enregistreurs D-t-D, lecteurs de CD, cartes sons, etc.). Les chapitres suivants décrivent avec précision les connecteurs d'entrée des Resolv 65a. Consultez également les plans de câblage de la page 12.



⑤ **ENTRÉE AUDIO XLR SYMÉTRIQUE** - Les Resolv 65a sont équipées d'une embase XLR femelle acceptant des signaux symétriques ou asymétriques à niveau ligne +4 dBu. Si vous utilisez une console de mixage avec des sorties en XLR symétriques, il vous suffit d'utiliser un câble micro standard.

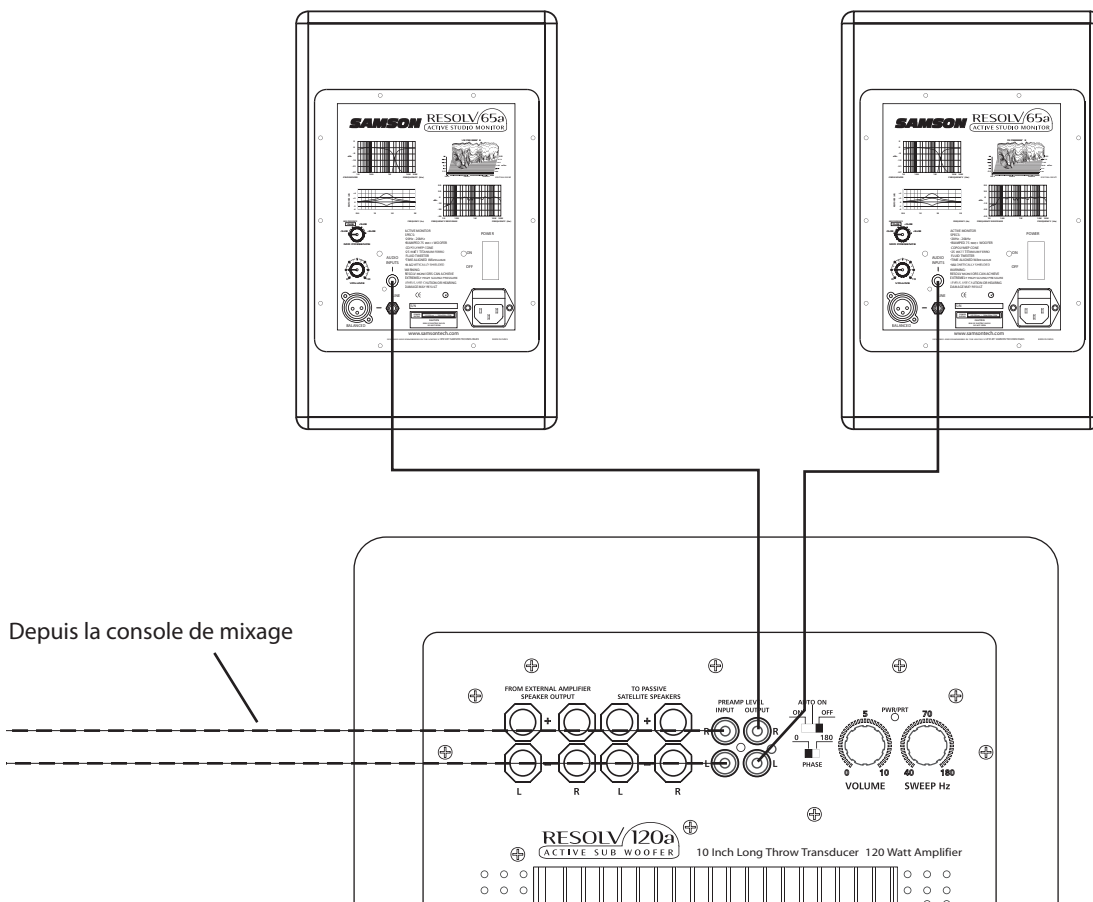
⑥ **ENTRÉE AUDIO JACK 6,35 mm** - L'entrée symétrique en Jack stéréo 6,35 mm (pointe, bague, corps) vous permet d'utiliser des signaux d'entrée à niveau ligne symétriques ou asymétriques. Le connecteur est de type contacteur, de sorte que lorsque vous utilisez cette entrée, les signaux des entrées RCA et/ou XLR sont coupés et le signal du Jack devient prioritaire. Ceci est un moyen pratique d'insérer rapidement un signal secondaire, par exemple.

⑦ **ENTRÉE RCA** - L'entrée RCA accepte les signaux asymétriques à niveau grand public (-10 dBV).

Connexion au Subwoofer Resolv120a

Moniteurs Resolv 65a avec Subwoofer mono

L'adjonction d'un Subwoofer permettant d'obtenir une réponse étendue dans le bas du spectre est très simple : il vous suffit d'ajouter un Sub RESOLV 120a connecté aux entrées à niveau ligne des Resolv 65a. Voici le plan de câblage type permettant d'utiliser le RESOLV 120a avec une console de mixage et deux satellites Resolv 65a. Les entrées des RESOLV 65a sont au format RCA. Pour obtenir un guide détaillé du câblage des entrées, consultez la page 12.



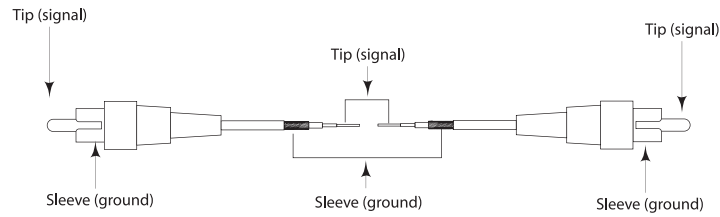
- Diminuez le niveau de sortie de votre console de mixage au minimum.
- Connectez la sortie gauche de la console de mixage à l'entrée LEFT LINE INPUT du RESOLV 120, et la sortie droite de la console de mixage à l'entrée RIGHT LINE INPUT du RESOLV 120. Reliez la sortie gauche LEFT LINE OUTPUT du RESOLV 120 à l'entrée du RESOLV 65a de gauche, et la sortie droite RIGHT LINE OUTPUT du RESOLV 120 à l'entrée du RESOLV 65a de droite.
- Utilisez le signal d'un CD pour réaliser les essais, augmenter le niveau de la sortie Control Room de la table de mixage jusqu'à obtenir un niveau d'écoute confortable.
- Réglez maintenant la fréquence de coupure du filtre actif du Subwoofer sur 100 Hz (dans le cas des RESOLV 65a). Si vous utilisez un autre Subwoofer, consultez son mode d'emploi. Vous pouvez également utiliser le réglage SWEEP pour sélectionner la fréquence qui vous convient le mieux à l'oreille.

Connexion des entrées des moniteurs RESOLV 65a

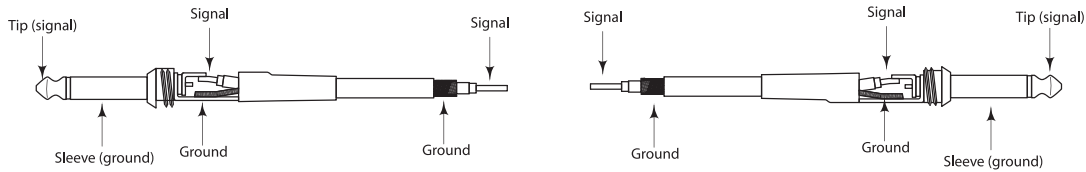
Plan de câblages des moniteurs RESOLV 65a

Il y a différentes façons d'utiliser les moniteurs RESOLV 65a selon votre configuration matérielle. Suivez les plans de câblage suivants correspondant à vos besoins.

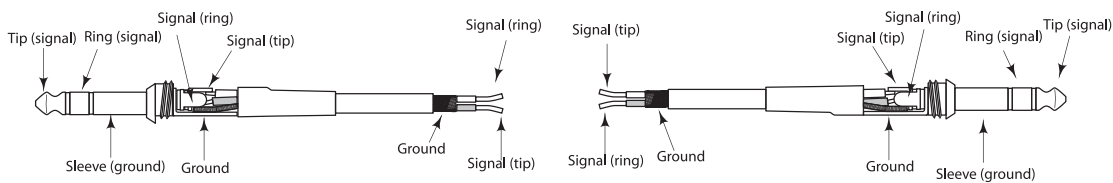
Câble RCA/RCA



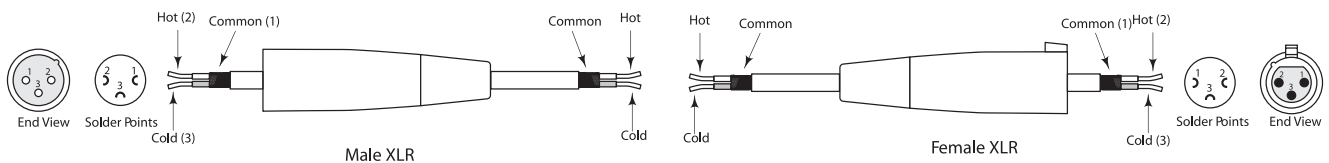
Jack 6,35 mm/ Jack 6,35 mm asymétrique



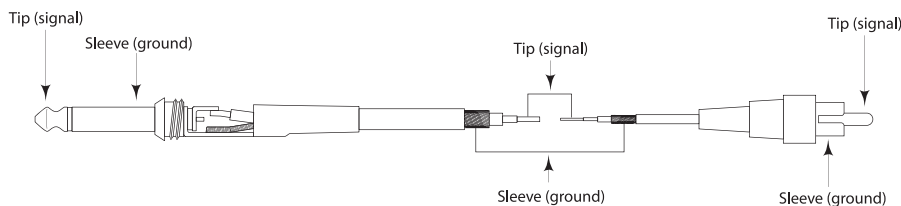
Jack 6,35 mm/ Jack 6,35 mm symétrique



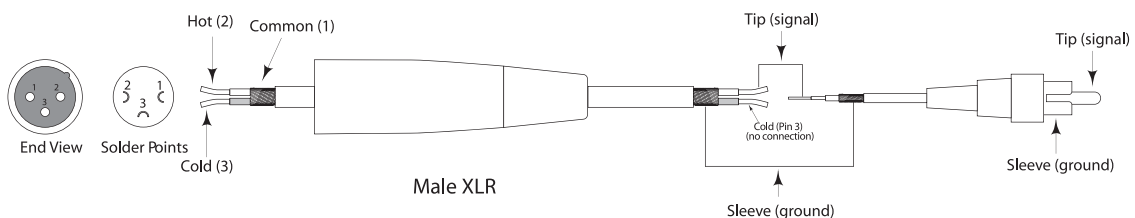
Câble XLR/XLR symétrique



Câble asymétrique Jack 6,35 mm à RCA



Câble asymétrique XLR à RCA



Einleitung

Herzlichen Dank für den Kauf des Samson RESOLV 65a Studio Reference Monitors. Der Samson RESOLV 65a ist ein aktiver 100 Watt Monitor, der sich durch einen 6,5" Copolymer Woofer mit erweitertem Frequenzbereich und einem 1" Titankalotten-Tweeter auszeichnet. Der RESOLV 65a ist das ideale Nahfeld-Monitorsystem für Studios, Video-Nachbearbeitungen, Festinstallationen und alle Veranstaltungen, die Spitzen sounds erfordern.

Auf diesen Seiten finden Sie eine detaillierte Erläuterung der Funktionen des RESOLV 65a Subwoofers sowie eine Führung durch das Bedienfeld, schrittweise Anleitungen für die Einrichtung und Anwendung plus umfassende Spezifikationen. Bitte vergessen Sie nicht, die beiliegende Garantiekarte ausgefüllt an uns zurück zu senden, damit Sie online technischen Support erhalten und wir Ihnen zukünftig aktuelle Informationen über dieses und andere Samson-Produkte zukommen lassen können.

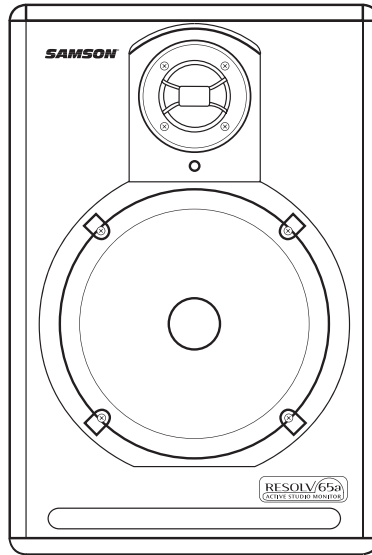
Bei sorgsamer Behandlung und angemessener Belüftung wird Ihr RESOLV 65a viele Jahre störungsfrei arbeiten. Die Seriennummer Ihres Geräts sollten Sie sicherheitshalber in der Zeile unten eintragen.

Seriennummer: _____

Kaufdatum: _____

Sollte Ihr Gerät einmal gewartet werden müssen, besorgen Sie sich vor der Rücksendung an Samson bitte eine Return Authorization Number (RA) (Rückgabeberechtigungsnummer). Ohne diese Nummer wird das Gerät nicht angenommen. Bitte rufen Sie Samson unter der Nummer 1-800-3SAMSON (1-800-372-6766) an, um eine RA-Nummer vor der Rücksendung zu erhalten. Heben Sie bitte das Original-Verpackungsmaterial auf und schicken Sie das Gerät, falls möglich, im Originalkarton und mit dem Originalverpackungsmaterial zurück.

RESOLV 65a Features

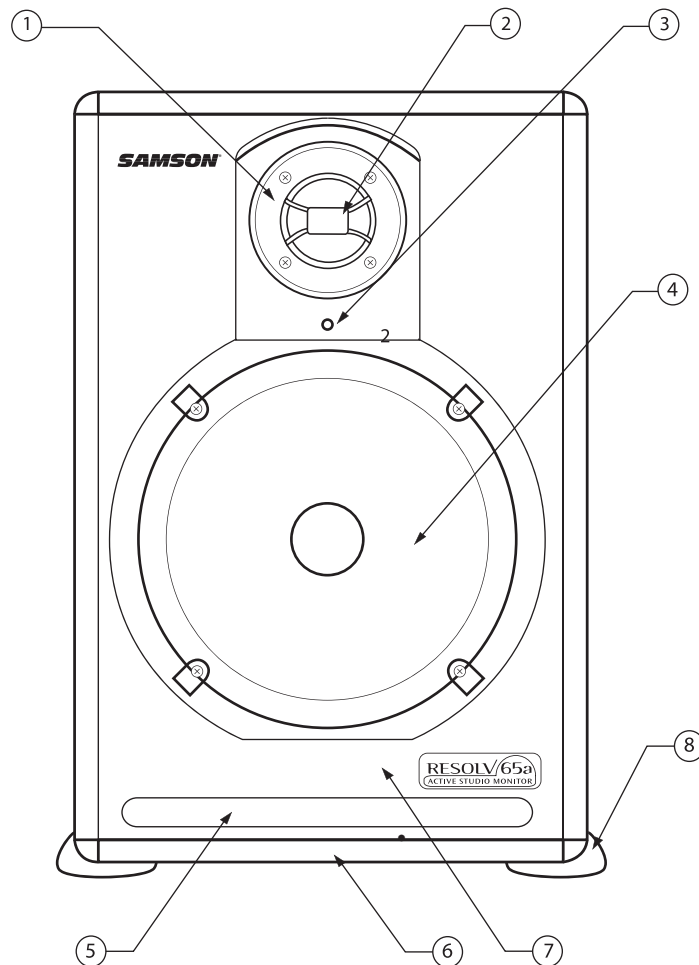


Die Samson RESOLV 65a Referenzmonitore bieten einen ausgewogenen Frequenzgang, der zudem präzise und wohlklingend ist. Die wichtigsten Vorzüge sind:

- Aktiver 2-Weg Referenz-Studiomonitor mit abgestimmtem Gehäuse, der ein extrem präzises Monitoring für Aufnahmestudios, Nachbearbeitungen und Multimedia-Anwendungen bietet.
- 6,5" Copolymer Butylen Surround Woofer für kompakten, kontrollierten Bass-Frequenzgang.
- 1" Titankalotten-Tweeter mit Neodym-Magnet plus Kühlkörper und Ferroflüssig-Kühlung für einen ausgewogenen, angenehmen Höhen-Frequenzgang.
- Bi-Amp-Leistung mit 75 Watt für den LF-Treiber und 25 Watt für den HF-Treiber.
- 4-Weg Mitten-Präsenz-Schalter ermöglicht das Anpassen der Frequenzkurve, um verschiedene Monitore – von HiFi über linear bis hin zu aggressivem Mitten-Nahfeld – zu emulieren.
- Aktives Crossover mit Multipol-Technik für linearen Frequenzgang über das gesamte Audiospektrum.
- Symmetrische XLR- und 1/4"-Eingänge sowie asymmetrische Cinch-Eingänge erlauben ein schnelles und einfaches Anschließen fast jeder Signalquelle von -10 dB bis + 4 dB.
- A/V-Abschirmung für Multimedia-Anwendungen ermöglicht den störungsfreien Betrieb in der Nähe von Computermonitoren.
- Massive, extrem stabile MDF (Faserplatten) Konstruktion für maximalen Schalldruckpegel.
- Attraktive und strapazierfähige schwarze Oberfläche im Satin-Dekor aus stark texturiertem Epoxid-Lack.
- Erweiterte 3-Jahres-Garantie.

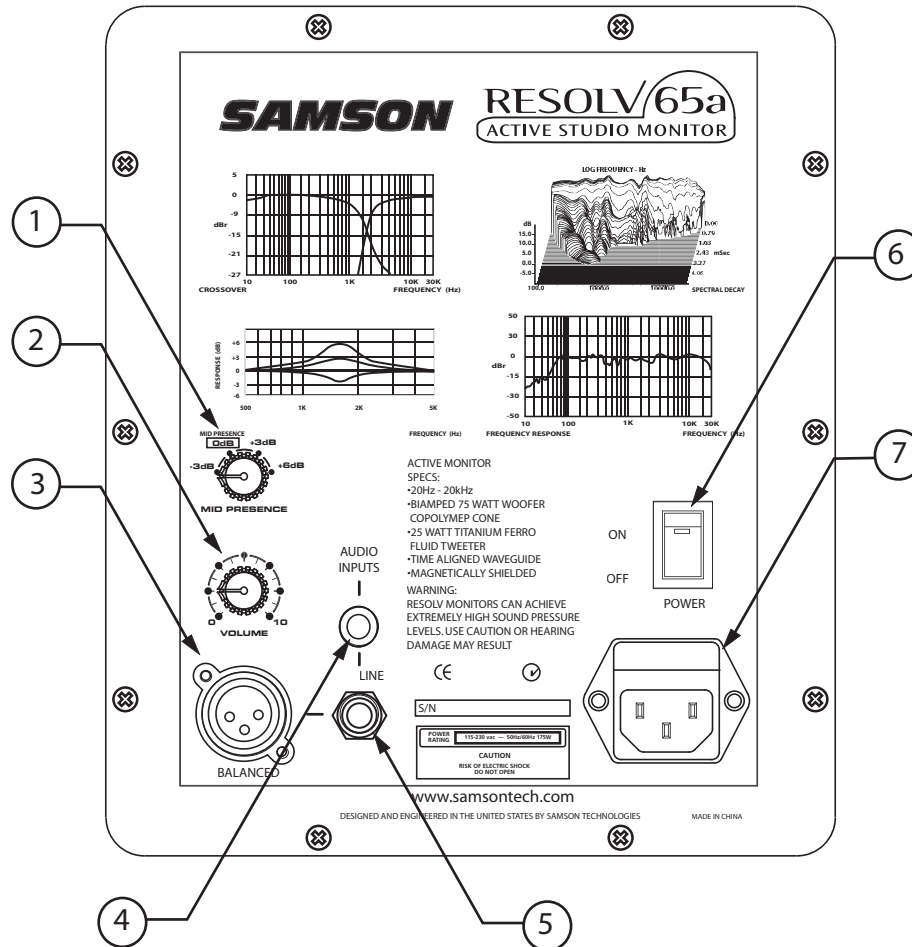
RESOLV 65a Layout

Vorderseite



- 1 1" TITANKALOTTEN-TWEETER** - Ausgewogener Höhen-Frequenzgang, erzeugt mittels Titankalotte, Neodym-Magnet mit Ferro-Flüssigkeit plus Kühlkörper für hohe Ausgangsleistung.
- 2 PHASEN-AUFSATZ** - Sorgt für ausgewogene Höhen-Streuung und breiteren optimalen Hörbereich.
- 3 POWER LED** - Bei leuchtender blauer LED ist das Gerät eingeschaltet und betriebsbereit.
- 4 6,5" BASS-TREIBER** - Hochbelastbarer 6,5" Bass-Wandler mit erweitertem Bereich
- 5 ABGESTIMMTER PORT** - Geräuscharme Port-Konstruktion für erweiterten linearen Bass-Frequenzgang.
- 6 GEHÄUSE** - Massive Faserplatten-Konstruktion.
- 7 FINISH** - Eleganter, schwarz texturierter Bezug.
- 8 RUTSCHFESTE FÜSSE** - Große Gummifüße sorgen auch bei hohen Schalldruckpegeln für einen sicheren Stand des Gehäuses.

Rückseite



- 1 **MITTENKONTUR-REGLER** – 4-Weg-Schalter zum Einstellen des Mitten-Frequenzgangs (in 3 dB-Schritten) und angepasster Klangverläufe, von HiFi bis Nahfeld-Monitoring mit aggressiven Mitten.
- 2 **VOLUME** - Steuert den Ausgangspegel.
- 3 **XLR INPUT** - Symmetrischer Line-Pegel-Eingang, Anschluss via standard XLR (Mikrofon) Kabel.
- 4 **RCA/CINCH** – Zum Anschließen von asymmetrischen –10 dBV Geräten.
- 5 **1/4" KLINKEN-BUCHSE** – Symmetrische TRS (Tip, Ring, Sleeve) 1/4" Klinkenbuchse für symmetrische oder asymmetrische Signale.
- 6 **POWER-SCHALTER** – Haupt-Netzschalter. Leuchtet in der ON-Stellung grün, um anzuzeigen, dass der Resolv 65a eingeschaltet und betriebsbereit ist.
- 7 **NETZANSCHLUSS** - Zum Anschließen des mitgelieferten IEC-Netzkabels.

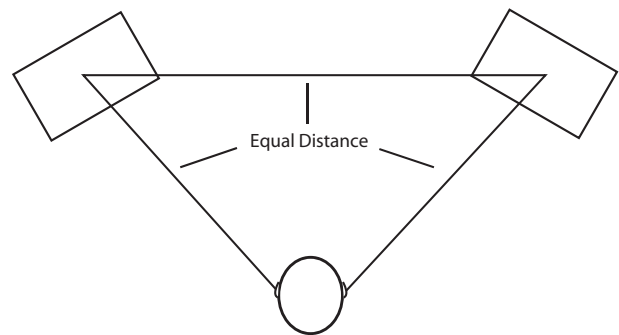
RESOLV 65a einrichten

Hintergrundinformationen zum Resolv 65a Referenz-Studiomonitor

Der Nahfeld-Referenzmonitor Resolv 65a verfügt über einen speziell entwickelten 6,5" Copolymer Bass-Treiber und einen 1" Titan-Tweeter, der eine Schwingspule mit Ferro-Flüssigkeitskühlung und einen Neodym-Magneten verwendet. Das Crossover des Monitors wurde mit hochwertigen Bauteilen sorgfältig konstruiert und garantiert einen linearen Frequenz- und Phasengang. Das Gehäuse des Resolv 65a besteht aus einer Faserplatte mittlerer Dichte (MDF) und ist mit einer kratzfesten, texturierten Schutzschicht überzogen. Das Monitorgehäuse besitzt auch einen abgestimmten Belüftungsport, der einen erweiterten Tiefbass-Frequenzgang liefert, wobei der Basstreiber – dank Niedrigturbulenz-Technik – sich bei minimaler Wirkung auf die Gesamtimpedanz frei bewegen kann. Auf der Gehäuse-Rückseite befindet sich das Bedienfeld des Resolv 65a, das über vielfältige Eingänge, inklusive XLR symmetrisch, 1/4" TRS symmetrisch und Cinch asymmetrisch, verfügt. Diese Eingänge sind mit dem internen Bi-Amp Modul des Resolv 65a verbunden, das 75 Watt Leistung für den Bass-Woofer, ein aktives Crossover und 25 Watt Leistung für den Höhen-Tweeter bereitstellt. Hier finden Sie auch die Preamp-Regler, inklusive VOLUME-Regler, mit dem Sie den Gesamtpegel der internen Endstufe einstellen können, sowie den innovativen MID PRESENCE-Regler. Mit diesem 4-Weg-Schalter kann der Tontechniker bei der Mischung den Mitten-Frequenzgang des Monitors an einen herkömmlichen HiFi-Klang, einen linearen Klang oder an zwei Varianten aggressiver mittenbetonter Klänge anpassen. Die Konzeption des Resolv 65a ermöglicht also nicht nur lineares, präzises Monitoring, sondern auch einstellbare Frequenzkurven, mit denen sich die Klänge anderer beliebiger Nahfeld-Monitore problemlos emulieren lassen.

Resolv 65a positionieren

Viele Tontechniker in großen und kleinen Studios bevorzugen das Nahfeld-Monitoring, da es den Einfluss der Raumakustik verringert. Dies ist bei den heutigen Projektstudios besonders wichtig, da das Budget für Raumakustik häufig gar nicht existiert. Indem Sie die Referenz-Monitore im Nahfeld (dicht am Zuhörer) aufstellen, können Sie den Einfluss der Raumakustik stark verringern. Die wichtigsten Erwägungen beim Abschätzen des Raumakustik-Einflusses betreffen reflektierende Oberflächen in der Umgebung des Abhörbereichs. Dazu zählen flache Tischflächen, Glasspiegel oder gerahmte Bilder, große offene Wände und sogar die Oberfläche des Mischpults. Fast alle reflektierten Klänge treffen früher oder später an der Abhörposition ein, aber da die Reflexionen im Bezug zum Direktschall verzögert eintreffen, werden manche Frequenzen wahllos ausgelöscht – der Kammfilter-Effekt. Falls möglich, sollten Sie alle reflektierenden Oberflächen entfernen. Sie können auch Akustikschaum an Wänden im nahen Umfeld der Monitore aufhängen. Beim Positionieren der Monitore sollten Sie ein sogenanntes "Mix-Dreieck" aufbauen. In dieser Idealkonfiguration entspricht der Abstand zwischen linkem und rechtem Monitor der Entfernung vom Zuhörer zu jedem Monitor, woraus sich ein gleichschenkeliges Dreieck ergibt (Abbildung 1).



Prime Listening Spot
Abbildung 1.

Resolv 65 positionieren - Fortsetzung

Lautsprecherausrichtung

Sie können den Resolv 65a entweder in vertikaler oder horizontaler Stellung einsetzen. In der horizontalen Stellung sollten Sie die links- und rechtsseitigen Tweeter am äußeren Rand positionieren (Abb. 2). Dadurch verbessern Sie die Stereo-Abbildung und Bass-Betonung, da die Tiefbass-Treiber in ihrer Wirkung gekoppelt sind.



Abb. 2.

Ein Wort zu Reflexionen

Wenn Sie Ihr Monitorsystem in der Höhe ausrichten, sollten Sie unbedingt Reflexionen durch die Oberfläche des Mischpults vermeiden (Abb. 3). Diese Reflexionen kommen beim Hörer minimal später als der Originalklang an, was zu seltsamen Auslöschungen und einem insgesamt unvorhersehbaren Frequenzgang führt. Stellen Sie sich die vom Monitor ausgehenden Schallwellen als gerade Linien vor und wählen Sie die Monitorhöhe so, dass möglichst wenig Reflexionen an der Haupt-Abhörposition auftreten (Abb. 4). In den meisten Fällen liegt die ideale Position etwas hinter und über den Pegelanzeigen des Mixers.

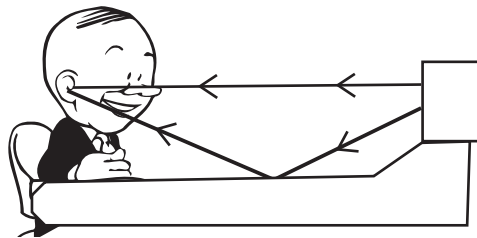


Abb. 3.

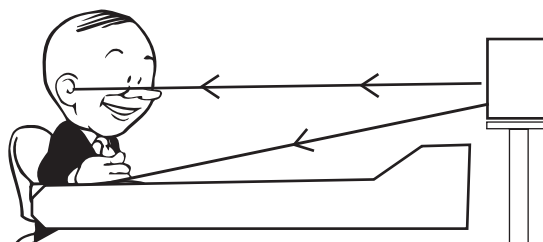


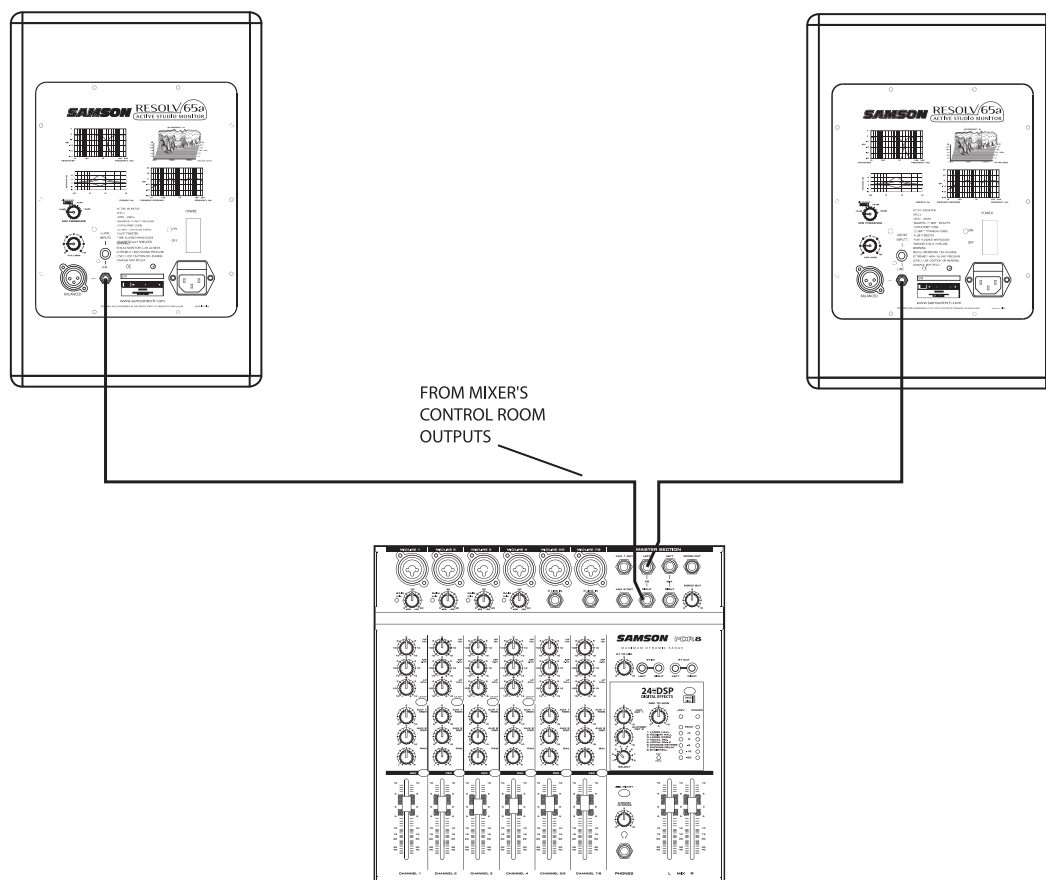
Abb. 4.

RESOLV 65a anschließen

Schnellanschluss des Resolv 65a

Anmerkung: Beim Anschließen und Einschalten sollten Sie die "Zuletzt ein/Zuerst aus" Regel für Endstufen (und Aktivmonitore) beherzigen. Beim Einschalten des Systems stellen Sie zunächst sicher, dass alle Kabel angeschlossen sind, und schalten dann zuerst Ihren Mischer und alle anderen Peripheriegeräte und zuletzt den RESOLV 65a ein. Beim Ausschalten des Systems beginnen Sie mit dem RESOLV 65a und fahren mit dem Mischer und den Peripheriegeräten fort.

Sie können den Resolv 65a über einen der drei rückseitigen Audio-Eingänge anschließen. Sie können die Cinch-Eingänge für asymmetrische -10 dBV Signale bzw. die 1/4"- oder XLR-Eingänge für symmetrische +4 dBu Signale verwenden. Anhand der folgenden einfachen Schritte und des Diagramms können Sie schnell eine Verbindung zu den Kontrollraum-Ausgängen eines normalen Mixers herstellen.



- Setzen Sie die Master-Ausgänge Ihres Mixers ganz zurück.
- Verbinden Sie den linken Control Room-Ausgang des Mixers mit dem linken LINE INPUT des RESOLV 65a und den rechten Control Room-Ausgang mit dem rechten LINE INPUT.
- Stellen Sie den Input Volume-Regler des Resolv 65a auf 2 Uhr ein.
- Schicken Sie ein Audiosignal (z. B. eine Musik-CD) durch Ihren Mischer und stellen Sie den Control Room-Pegel auf eine angenehme Abhörlautstärke ein.

RESOLV 65a bedienen

RESOLV 65a Bedienfeld

Auf dem rückseitigen Bedienfeld des Resolv 65a nehmen Sie die Strom- und Audiosignal-Anschlüsse vor. Dieses Bedienfeld enthält auch die Regler zum Einstellen der Gesamtlautstärke und Frequenzgang-Kurve. Der folgende Abschnitt beschreibt die rückseitigen Regler und Anschlüsse.

Resolv 65a mit Strom versorgen

Da der Resolv 65a ein aktiver Studiomonitor mit integrierter Endstufe und elektronischem Crossover ist, muss er an eine Netzsteckdose angeschlossen werden. Stellen Sie den Haupt-Power-Schalter auf Off/Aus und verbinden Sie das mitgelieferte IEC Netzkabel mit dem Netzeingang.

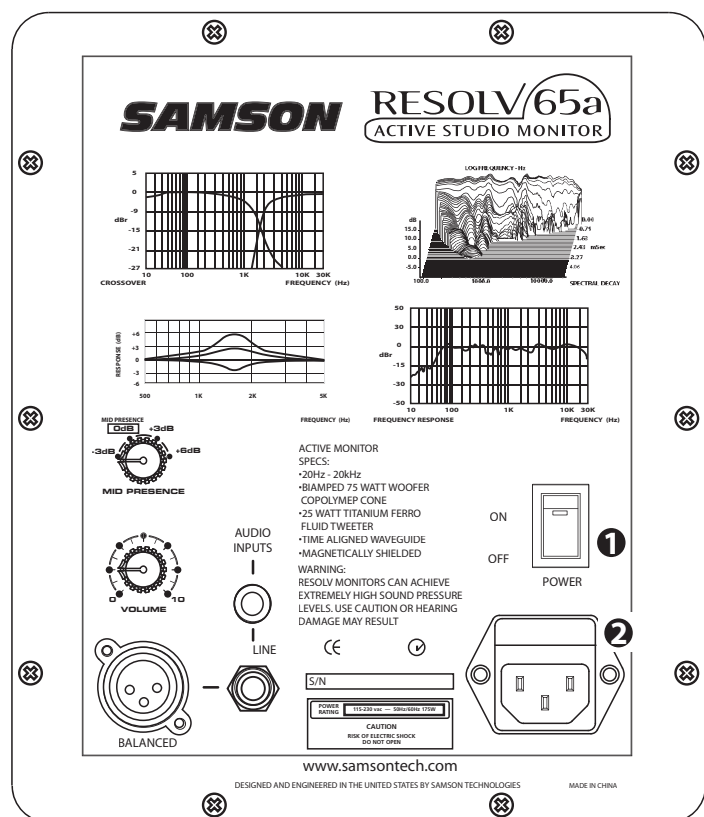
Brummgeräusche!

Netzkabel oder Verlängerungskabel sollten nie parallel zu Eingangssignal-Kabeln verlegt werden. Dadurch können Sie Brumm-Einstreuungen durch das Stromnetz verringern. Wenn sich Netzkabel und Audiokabel kreuzen müssen, sollte dies in einem Winkel von 90 Grad geschehen, um das induzierte Brummen so gering wie möglich zu halten. Die symmetrischen Eingänge bieten einen guten Schutz gegen induziertes Brummen, da deren Gleichtaktunterdrückung das induzierte Brummen durch Phasenumkehr auslöschen.

1 POWER-SCHALTER – Mit dem POWER-Schalter schalten Sie die aktive Elektronik des Resolv 65a ein. In der ON-Position leuchtet die interne LED grün – der Resolv 65a ist jetzt eingeschaltet und betriebsbereit. Der Resolv 65a besitzt auch eine blaue LED, die ebenfalls leuchtet, wenn das Gerät eingeschaltet ist.

2 AC INLET/NETZEINGANG - Zum Anschließen des mitgelieferten IEC-Netzkabels.

Auf der Rückseite des Resolv 65a befinden sich zwei wichtige Regler zum Einstellen des Gesamtklangs des Monitors: Mid-Presence und Volume. Sie werden diese Regler schließlich auf Ihre bevorzugte Position einstellen und dort belassen – vorausgesetzt, die Monitore bleiben an der gleichen Stelle und im gleichen Studio. Wenn Sie die Monitore in einem anderen Studio aufbauen, werden Ihnen diese Regler beim Einstellen des Klangs für den neuen Raum sehr gute Dienste leisten.



RESOLV 65a bedienen

RESOLV 65a Bedienfeld - Fortsetzung

3 MID PRESENCE-REGLER

Mit dem 4-Weg Mid Presence-Schalter können Sie den Mitten-Frequenzgang (in 3 dB-Schritten) einstellen und angepasste Klangverläufe, von HiFi bis zu aggressivem, Mitten-betontem Nahfeld-Monitoring wählen. Viele Tontechniker bevorzugen bei der Mischung den Klang von Nahfeld-Monitoren mit aggressivem Mitten-Frequenzgang. Bei einer normalen Aufnahme drängen sich viele musikalische Parts im Mittenbereich. Eine leichte Überbetonung der Mitten wirkt wie eine mikroskopische Vergrößerung des Bereichs mit dem stärksten Frequenzverkehr. Die Änderung ist eigentlich sehr subtil. Stellen Sie die Regler nach Gehör ein und experimentieren Sie mit den verschiedenen Einstellungen, um die Kombination von Mid-Presence und Volume zu finden, die Ihnen gefällt. Spielen Sie einfach ein Paar Musik-CDs ab, die Sie gut kennen. Im Zweifelsfall können Sie den Presence-Regler auf "0" setzen, um den Resolv 65a wieder linear einzustellen.

4 VOLUME-REGLER

Mit dem Volume-Regler stellen Sie den Gesamt-Ausgangspegel des Resolv 65a ein. Drehen Sie den Volume-Regler vorm ersten Betreiben des Monitors ganz zurück und erhöhen Sie dann den Pegel auf eine angenehme Abhörlautstärke.

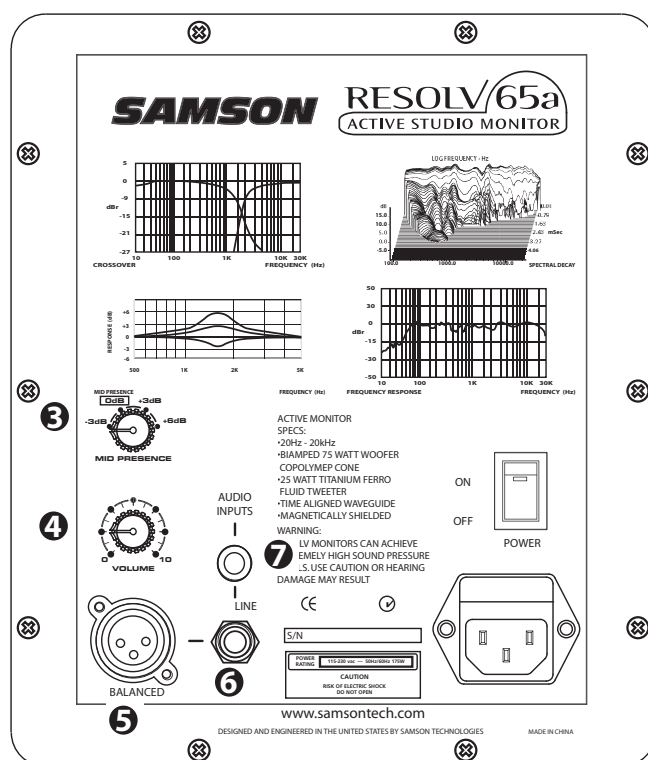
Eingänge und Ausgänge

Der RESOLV 65a bietet eine breite Auswahl an Eingängen, an die sich die verschiedensten Audiogeräte, wie Aufnahmeplatte, Hard Disk-Recorder, CD Player und Soundkarten, anschließen lassen. Die Eingänge werden im folgenden Abschnitt detailliert beschrieben. Auf Seite 12 finden Sie zudem ein Verdrahtungsdiagramm.

5 **SYMMETRISCHER XLR AUDIO-EINGANG** - Die XLR-Buchse des Resolv 65a kann symmetrische oder asymmetrische +4 dBm Line-Pegel-Signale verarbeiten. Bei einem Mischer mit symmetrischen XLR-Ausgängen können Sie die Verbindungen über normale XLR (Mikrofon) Kabel herstellen.

6 **1/4" KLINKEN AUDIO-EINGANG** – Über die symmetrische TRS 1/4" Klinkenbuchse können Sie symmetrische oder asymmetrische Line-Pegel-Signale anschließen. Der 1/4" Eingang verfügt über eine Schaltfunktion, die bei Belegung der Buchse die Cinch- und/oder XLR-Eingänge ausschaltet und den 1/4" Eingang einschaltet. Dadurch erhalten Sie einen komfortablen Patch-Punkt zum schnellen Einschleifen einer zweiten Signalquelle für Tests oder Betriebserweiterungen.

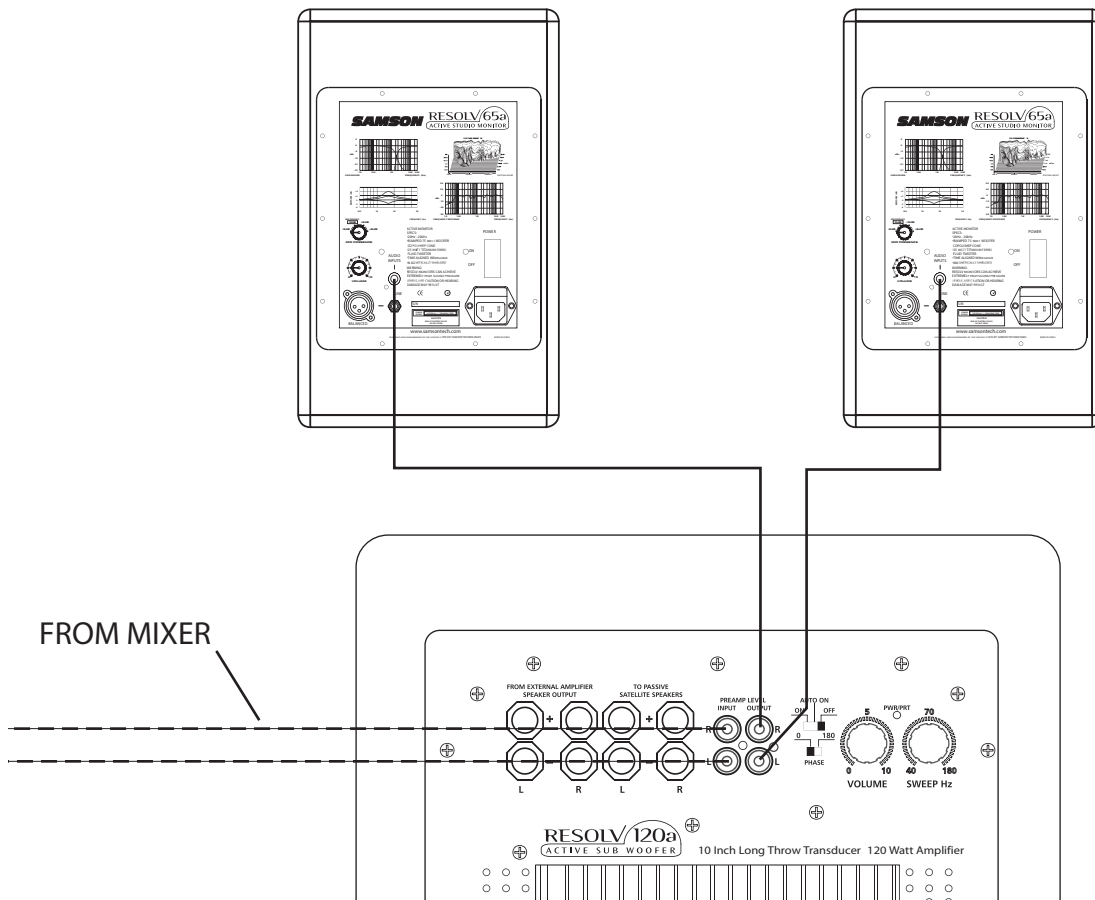
7 **CINCH AUDIO-EINGANG** – Über den Cinch-Eingang können Sie asymmetrische Signale von –10 dBV Geräten einspeisen.



Anschluss an den Resolv120a Subwoofer

Resolv 65a mit Mono Sub

Über die LINE LEVEL-Eingänge des RESOLV 65a können Sie Ihrem Resolv 65a System einen Subwoofer und damit einen erweiterten Tiefbass-Bereich hinzufügen. Es folgt ein typisches System-Setup, bei dem der RESOLV 120a mit einem Mischer und einem Paar Resolv 65a Satelliten-Lautsprechern kombiniert ist. Die Ein- und Ausgänge des RESOLV 120a sind mit Cinch-Anschlüssen gemäß Industriestandard bestückt. Ein detailliertes Verdrahtungsdiagramm finden Sie im Abschnitt "RESOLV 65a Anschlüsse" auf Seite 12. Gehen Sie zum Einrichten des Systems wie folgt vor.



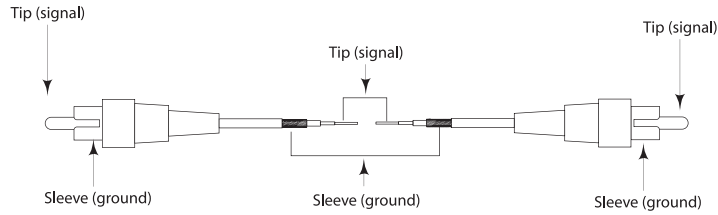
- Drehen Sie die Master-Ausgänge Ihres Mixers ganz zurück.
- Verbinden Sie den linken Mischerausgang mit dem LEFT LINE INPUT des RESOLV 120a und den rechten Mischerausgang mit dem RIGHT LINE INPUT des RESOLV 120a. Verbinden Sie dann den LEFT LINE OUTPUT des RESOLV 120a mit dem Eingang des linken RESOLV 65a und den RIGHT LINE OUTPUT mit dem Eingang des rechten RESOLV 65a.
- Schicken Sie ein Audiosignal (z. B. eine Musik-CD) durch Ihren Mixer und stellen Sie den Pegel auf eine angenehme Abhörlautstärke ein.
- Stellen Sie dann den SWEEP-Regler auf die gewünschte Frequenz ein. Schlagen Sie den empfohlenen Crossover-Punkt im Handbuch Ihrer Studiomonitore nach. Sie können den SWEEP-Regler auch nach Gehör auf die Frequenz einstellen, die am besten klingt. Ein guter Anfangswert ist 70 Hz.

RESOLV 65a Anschlüsse

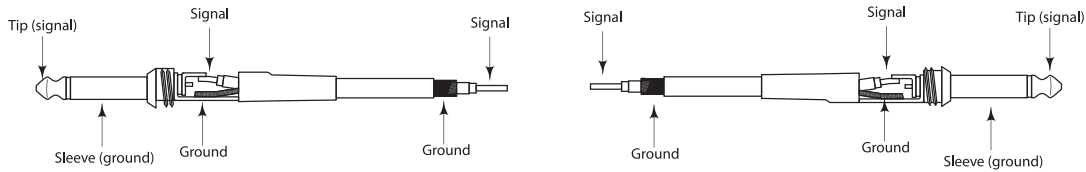
RESOLV 65a Verdrahtung

Abhängig von Ihrem Monitoring-Setup können Sie den RESOLV 65a auf mehrere Arten ins System integrieren. Gehen Sie nach den folgenden Verkabelungsdiagrammen vor, um Ihr Monitorsystem anzuschließen.

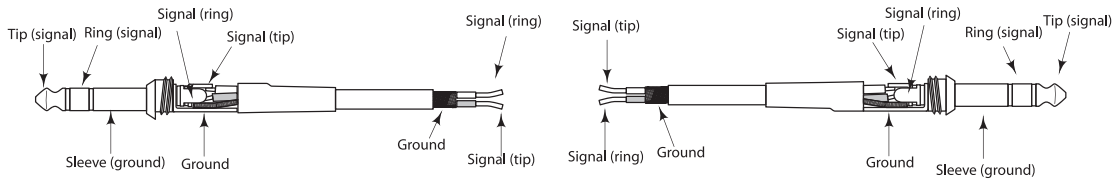
Cinch- auf Cinch-Kabel



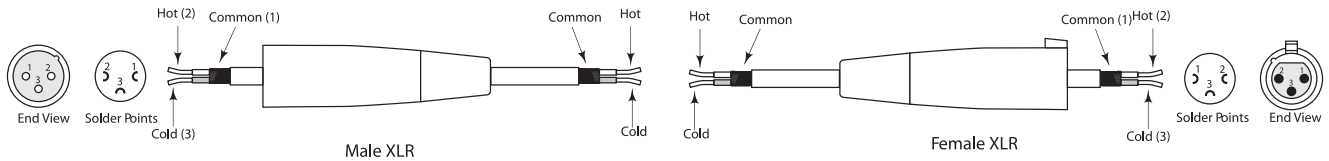
Asymmetrisches 1/4"- auf 1/4"-Kabel



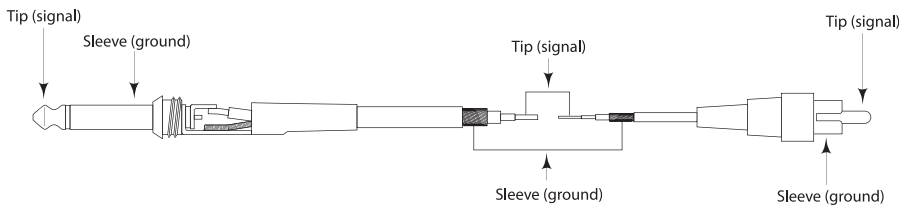
Symmetrisches 1/4"- auf 1/4"-Kabel



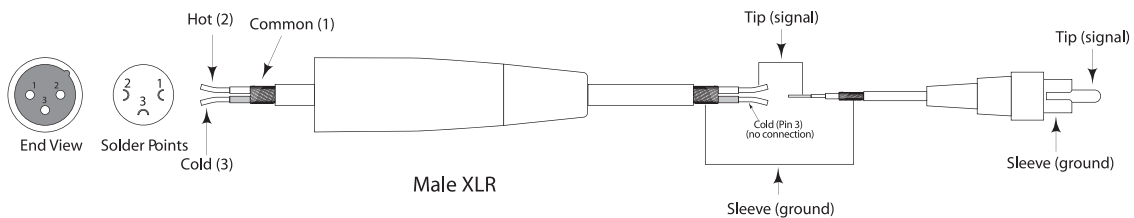
Symmetrisches XLR- auf XLR-Kabel



Asymmetrisches 1/4"- auf Cinch-Kabel



Asymmetrisches XLR- auf Cinch-Kabel



Introducción

Gracias por comprar los nuevos monitores de referencia para estudio Samson RESOLV 65a. Este Samson RESOLV 65a es un monitor autoamplificado a 100 vatios que dispone de un woofer de 6.5" fabricado con polímeros y de rango ampliado y un tweeter convexo de 1" hecho en titanio. El RESOLV 65a es un sistema de monitorización de campo próximo ideal para estudios de grabación, salas de post-producción, instalaciones fijas o allí donde sea necesario un buen sonido.

En estas páginas va a encontrar una descripción detallada de las características del monitor RESOLV 65a, así como un recorrido guiado a través de su panel de control, instrucciones paso-a-paso para su configuración y manejo y una completa tabla con sus especificaciones técnicas. También encontrará una tarjeta de garantía—no olvide rellenarla y enviárnosla por correo para que pueda recibir soporte técnico online y para que le podamos ofrecer información actualizada sobre este y otros productos de Samson en el futuro.

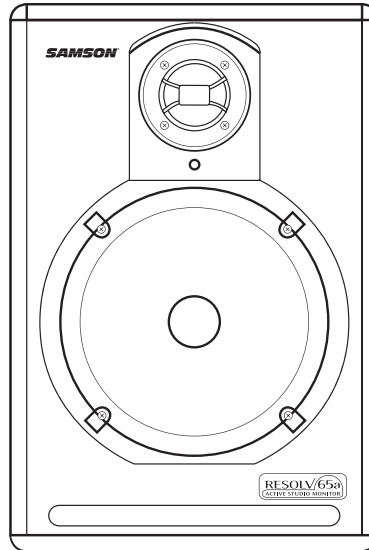
Con unos cuidados mínimos y una circulación de aire adecuada, su RESOLV 65a funcionará sin ningún problema durante muchos años. Le recomendamos que en las líneas siguientes anote su número de serie para cualquier consulta en el futuro.

Número de serie: _____

Fecha de compra: _____

En el improbable caso de que en algún momento tenga que reparar este aparato, deberá solicitar-nos un número de autorización de devolución (RA) para poder enviar su unidad a Samson. Sin este número, ninguna unidad es aceptada en fábrica. Póngase en contacto con Samson en el 1-800-3SAMSON (1-800-372-6766) para que le facilitemos este número de autorización de devolución antes de enviarnos la unidad. Si es posible guarde el embalaje original y los materiales de protección para devolvernos la unidad dentro de ellos.

Características del RESOLV 65a

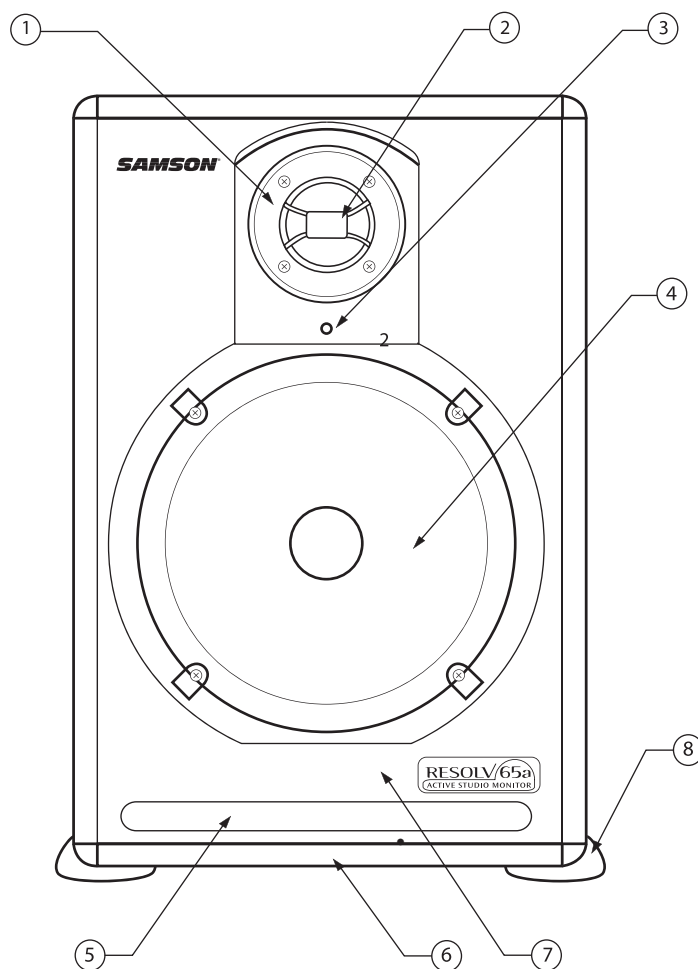


Los monitores de referencia Samson RESOLV 65a le ofrecen una respuesta suave, precisa y a la vez agradable al oído. Aquí tiene algunas de sus características principales:

- Un monitor de referencia activo de dos vías para estudios de grabación con un recinto abierto que le ofrece una monitorización extremadamente precisa para estudios de grabación, salas de post-producción y entornos multimedia.
- Woofer de 6.5" fabricado en polímero rodeado de butilo que ofrece una respuesta de frecuencias graves compacta y controlada.
- Tweeter convexo de 1" fabricado en titanio con imán de neodimio, con sistema de refrigeración de disipador de calor y fluido férrico para conseguir una respuesta en agudos dulce y suave.
- Etapa de potencia bi-amplificada con 75 vatios en el cabezal de graves y 25 en el de agudos.
- Control de presencia de rango medio de cuatro posiciones que permite al usuario moldear la curva de respuesta para emular monitores desde los de tipo hi-fi, pasando por completamente planos a la agresiva respuesta de rango medio de los de campo cercano.
- Crossover activo con un diseño multipolo para conseguir una respuesta línea de abajo a arriba.
- Entradas balanceadas XLR y de 6,3 mm, así como entradas RCA no balanceadas que permiten una fácil y rápida conexión a casi cualquier fuente de señal -10 o + 4 dB.
- Protección A/V para aplicaciones multimedia que permite un funcionamiento sin problemas al lado de monitores de ordenador.
- Fabricación robusta en MDF (fibra de densidad media), para ofrecer el máximo nivel SPL con una total rigidez y fiabilidad.
- Acabado en satinado negro de gran atractivo y solidez gracias a la textura de su pintura en epoxy.
- Tres años de garantía.

Vista general del RESOLV 65a

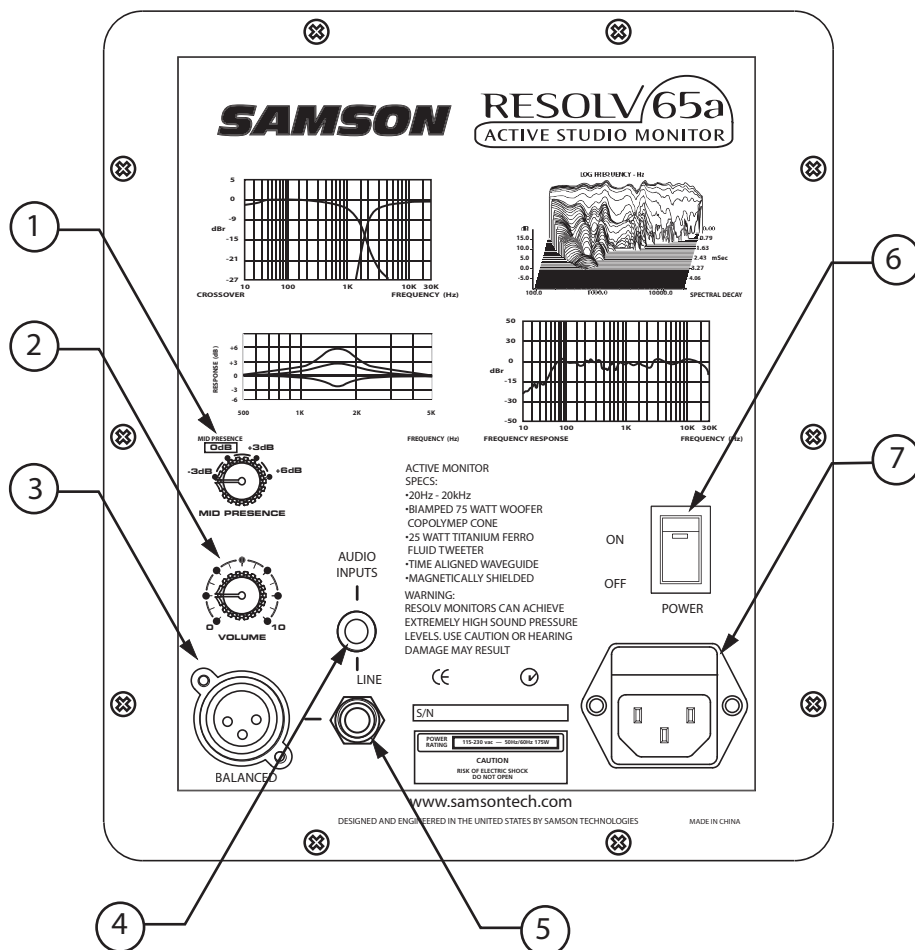
Vista del panel frontal



- 1 TWEETER CONVEXO DE 1" DE TITANIO** - Una respuesta en agudos suave y dulce gracias a su cúpula de titanio, imén de neodimio con refrigeración de fluido férrido y disipador de calor para una alta salida.
- 2 TAPON DE FASE** - Asegura dispersión equilibrada de agudos y mejora la escucha fuera de eje.
- 3 LED POWER** - Un piloto azul que se ilumina para indicar que la unidad está encendida, lista para funcionar.
- 4 CABEZAL DE GRAVES DE 6.5"** - Transductor de graves de 6.5", gran resistencia y rango ampliado.
- 5 ABERTURA DE GRAVES** - Un perfecto iseño de abertura para ofrecer una respuesta en graves lineal y de mayor rango.
- 6 CAJA ACUSTICA** - Sólida construcción en MDF.
- 7 ACABADO** - Acabado liso de color negro.
- 8 SOPORTES ANTIDESLIZANTES** - Grandes topes de goma que hacen que el recinto acústico no se mueva incluso a niveles de presión sonora muy elevados.

Vista general del RESOLV 65a

Vista del panel trasero



- 1 CONTROL CONTORNO RANGO MEDIO** – Este es un interruptor de cuatro posiciones que se usa para ajustar la respuesta de rango medio (en incrementos de 3 dB) lo que permite conseguir un sonido personalizado desde hi-fi a un rango medio agresivo, de monitorización cercana.
- 2 VOLUME** - Controla el nivel de salida.
- 3 ENTRADA XLR** - Aquí puede conectar una entrada balanceada de nivel de línea por medio de un cable XLR standard (micrófono).
- 4 RCA** – Esta entrada se usa para conectar señales de unidades a -10 dBV, no balanceadas.
- 5 PHONE 6.3 MM** – Conector TRS (punta, anillo, lateral) balanceado que se usa para conectar señales con nivel de línea balanceadas o no balanceadas.
- 6 INTERRUPTOR POWER** – Interruptor general de encendido. Cuando lo coloque en la posición ON se iluminará en verde para indicar que el Resolv 65a está encendido y listo para su uso.
- 7 ENTRADA DE CA** - Conecte aquí el cable de alimentación IEC que se incluye.

Configuración del RESOLV 65a

Diseño e historia del monitor de referencia para estudio Resolv 65a

El Resolv 65a es un monitor de referencia de campo cercano que dispone de un cabezal de graves de 6.5" fabricado en polímeros, con diseño exclusivo y un tweeter de 1" hecho en titanio, en el que se emplea una bobina de voz refrigerada por fluido férrido y un imán de neodimio. El divisor o crossover del monitor ha sido cuidadosamente diseñado con componentes de alta calidad para asegurar una respuesta de fase y frecuencia lineales. El recinto acústico del Resolv 65a está construido con MDF (fibra de densidad media) y está acabado con una resistente pintura. La caja del monitor también dispone de una boca o abertura que ofrece una ampliación en la respuesta de graves, lo que unido a un diseño de baja turbulencia, hace que el cabezal de graves pueda moverse libremente con un efecto mínimo sobre la impedancia global. En la parte trasera de la caja encontrará el panel de control del Resolv 65a que dispone de una amplia gama de conexiones de entrada incluyendo una entrada XLR balanceada, una entrada TRS de 6.3 mm balanceada y una RCA no balanceada. Estas entradas están conectadas al módulo de biamplificador interno del Resolv 65a que le da 75 vatios de potencia para el woofer de graves, un crossover activo, y 25 vatios para el tweeter de agudos. También encontrará los controles del previo, incluyendo un mando VOLUME, que se usa para ajustar el nivel global de la etapa de potencia interna, así como el innovador control MID PRESENCE. Este interruptor de cuatro posiciones permite al técnico de sonido modelar la respuesta de rango medio del monitor para cubrir una gama desde el tradicional sonido hi-fi, pasando por una respuesta plana hasta dos niveles de respuesta agresiva de medios. El Resolv 65a ha sido diseñado para dar una señal de monitorización plana y precisa, y a la vez para ofrecer una curva de respuesta ajustable para que pueda emular el sonido de otros monitores de campo cercano famosos.

Colocación del Resolv 65a

La monitorización de campo cercano se ha convertido en la elección de muchos técnicos tanto en estudios grandes como en pequeños porque minimiza el efecto de la acústica de la sala. Esto es muy importante en los estudios de proyectos de hoy en día dado que el presupuesto que se suele contar para trabajar en la acústica de la sala suele ser de cero. Colocando los monitores de referencia en el campo cercano (cerca del oyente), puede reducir en gran medida el efecto de esta acústica, siendo esto algo a tener muy en cuenta cuando evaluamos el efecto de la acústica sobre superficies reflexivas alrededor de la zona de monitorización. Estas superficies pueden incluir láminas planas, espejos o cuadros, grandes paredes planas e incluso la propia superficie de la mesa de mezclas. Prácticamente cualquier sonido reflejado llegará a la posición de escucha, pero dado que estará ligeramente retardado con respecto a la fuente directa, el resultado será una cancelación aleatoria de algunas frecuencias, también llamado filtro de peine. Si puede, elimine todas estas superficies reflexivas. También puede serle de ayuda colocar algún aislamiento acústico en las paredes más cercanas a los monitores. Cuando coloque los monitores le interesará colocarlos de la forma llamada habitualmente "triángulo de mezcla". En esta configuración ideal, el espacio entre los dos monitores debe ser igual a la distancia desde cada uno de ellos al oyente, formando un triángulo equilátero. (Figura 1.)

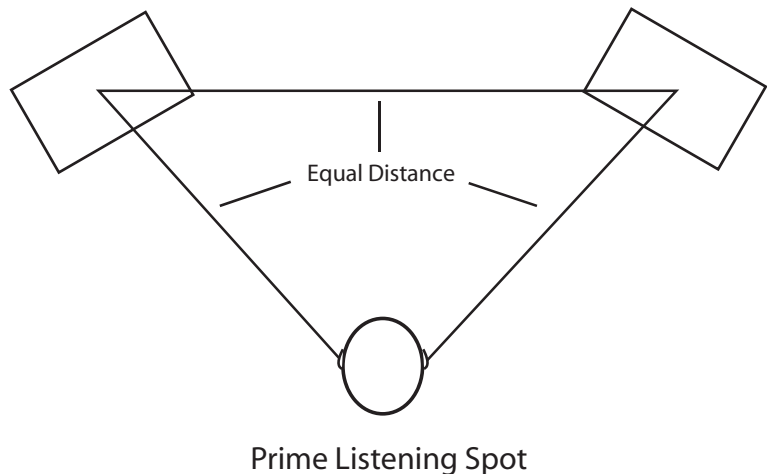


Figura 1.

Configuración del RESOLV 65a

Colocación del Resolv 65 - continuación

Orientación de los altavoces

Puede usar el Resolv 65a tanto en vertical como en horizontal. Cuando utilice los monitores en la posición horizontal, asegúrese de colocar los tweeters del lado izquierdo en la parte exterior de cada lado (Figura 2). Esto mejorará la imagen stereo y la respuesta de graves, aumentando el acoplamiento de los cabezales de super-graves.



Figura 2.

Un momento de reflexión

Cuando esté escogiendo la altura para su sistema de monitores, tenga cuidado para evitar las reflexiones de la superficie de su mesa de mezclas (Figura 3). Estas reflexiones llegan a la posición de escucha con un ligero retardo con respecto al sonido original produciendo unas extrañas cancelaciones y una respuesta global impredecible. Piense en los rayos de la radiación del sonido como en líneas rectas que salen desde los monitores y escoja una altura que le permita reducir la aparición de estas reflexiones que terminarán en el punto de escucha. (Figura 4). En la mayoría de los casos, la posición ideal estará ligeramente por detrás y encima del panel de medidores de la mesa de mezclas.

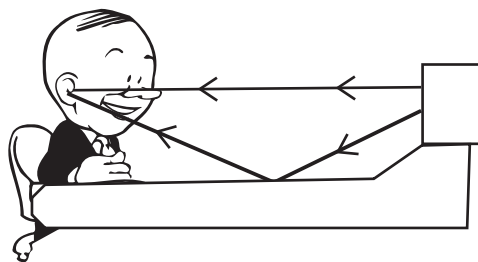


Figura 3.

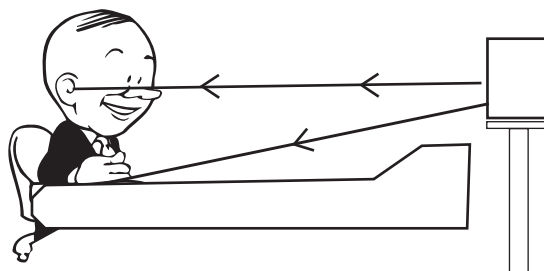


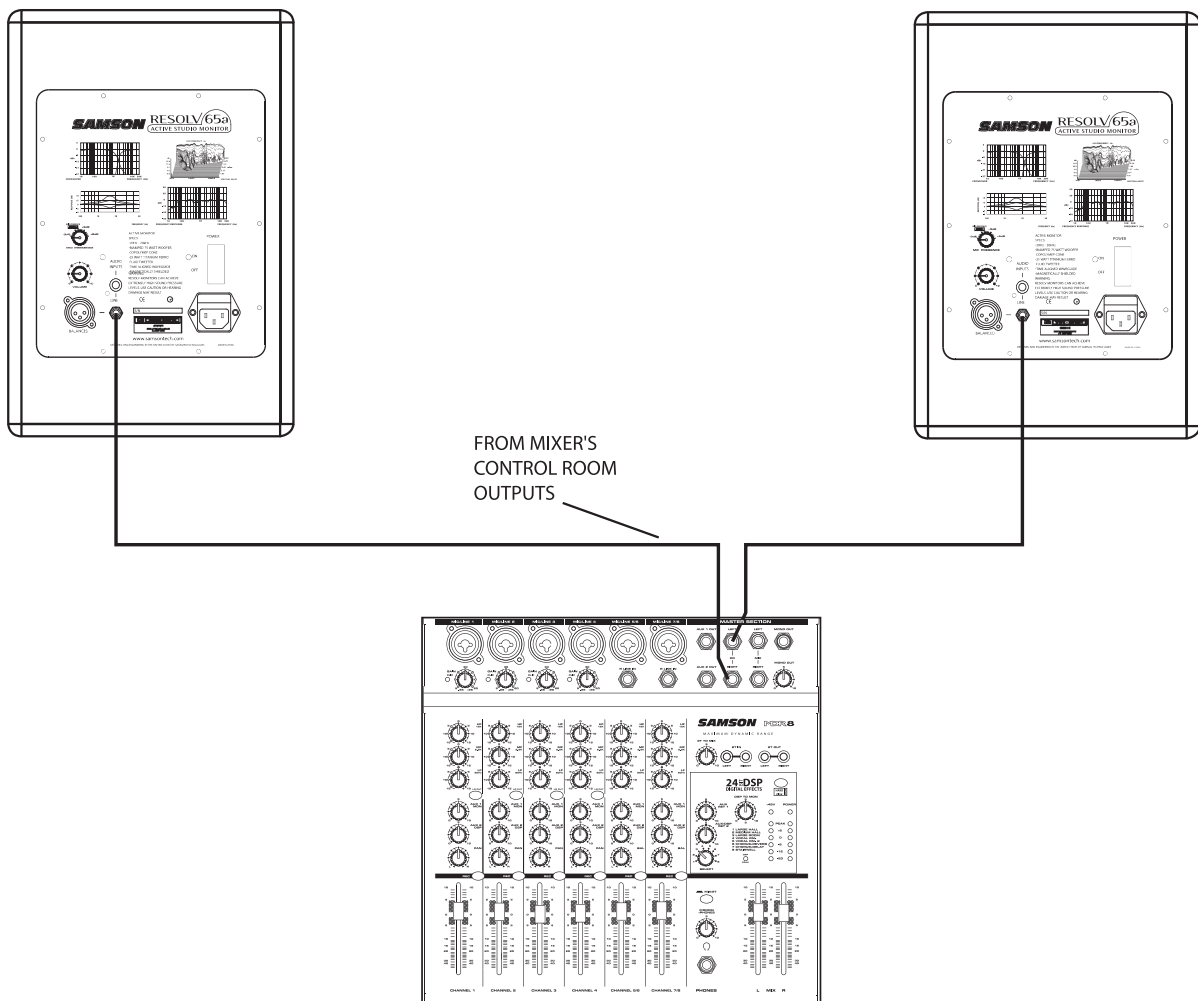
Figura 4.

Conexión del RESOLV 65a

Conexiones rápidas del Resolv 65a

Nota: Antes de conectar la unidad y encenderla, recuerde la regla “el último en encender, primero en apagar” de las etapas de potencia (y monitores autoamplificados). Cuando encienda su sistema, asegúrese de que todos los cables estén conectados, encienda la mesa y el resto de unidades exteriores y al final encienda el RESOLV 65a. Cuando apague todo, primero apague el RESOLV 65a y después el resto del equipo.

Puede hacer las conexiones del Resolv 65a a través de una de sus entradas audio del panel trasero. Puede usar las entradas RCA para señales de -10 dBV de nivel, no balanceadas, o las entradas XLR o de 6.3 mm para señales a +4 dBm balanceadas. Siga los sencillos pasos y diagramas siguientes para hacer una rápida conexión usando las salidas de sala de control de una mesa de mezclas standard.



- Coloque abajo del todo los controles de salidas master de la mesa de mezclas.
- Conecte la salida izquierda de sala de control de la mesa a la toma LINE INPUT izquierda del RESOLV 65a y la salida derecha correspondiente de la mesa a la LINE INPUT de la derecha.
- Ajuste el control de volumen de entrada del Resolv 65a a la posición de las 2 en punto.
- Dé paso a una señal audio (música desde un CD, por ejemplo) a través de su mezclador y suba el nivel de la sala de control hasta un volumen de escucha cómodo.

Manejo del RESOLV 65a

Panel de control del RESOLV 65a

El panel de control trasero del Resolv 65a es el lugar en el que hará todas las conexiones para señales audio y corriente. El panel trasero contiene también los controles para realizar ajustes en el volumen global y la curva de respuesta de frecuencia. La sección siguiente le detalla los controles y conexiones de este panel.

Encendido del Resolv 65a

Dado que el Resolv 65a es un monitor de estudio activo con una etapa de potencia interna y un crossover electrónico, debe conectar la unidad a una salida de corriente. Asegúrese de que el interruptor Power esté colocado en la posición off y conecte el cable de alimentación IEC incluido a una salida de alterna.

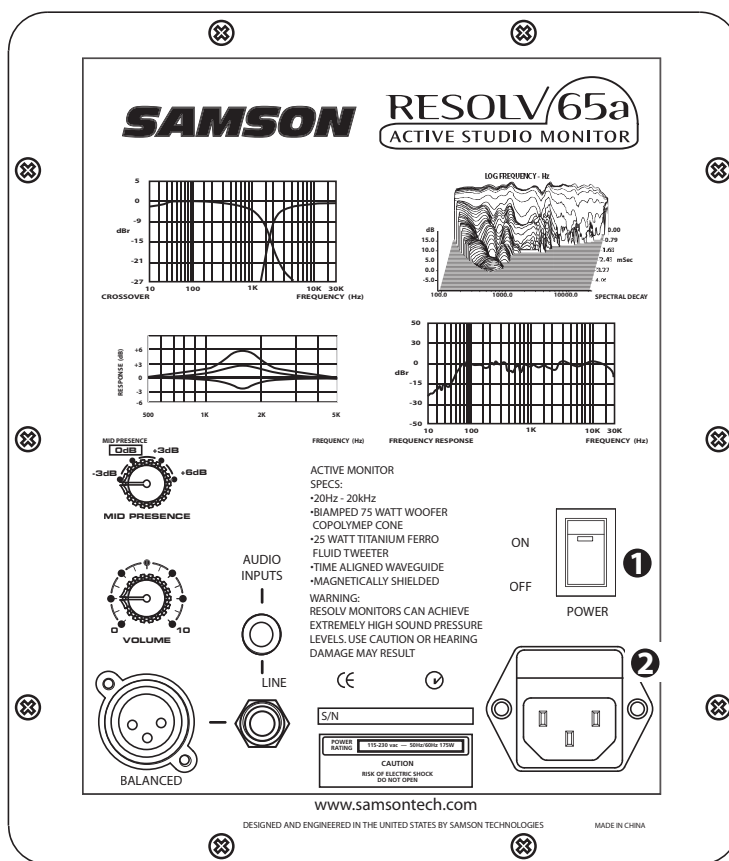
¡Elementos que producen zumbidos!

Cuando coloque cable de corriente, tenga cuidado de no colocarlos estos ni otras alargaderas en paralelo a sus cables de entrada. Esto producirá un zumbido de alterna que puede ser captado por la unidad. Si tiene que cruzar un cable de corriente por donde pase una línea audio, trate de formar ángulos de 90° al menos para reducir los zumbidos. El uso de los conectores de entrada balanceados del Resolv 65a le protegerá en gran medida de este zumbido inducido gracias al modo de rechazo común (cancelación de fase del ruido inducido) que ofrece su circuitería de entrada balanceada.

1 INTERRUPTOR POWER – Este interruptor se usa para activar los circuitos del Resolv 65a. Cuando esté en la posición ON, el piloto interno se iluminará en verde, indicando que el Resolv 65a está encendido y listo para funcionar. El Resolv 65a también dispone de un piloto de color azul que se ilumina cuando la unidad está encendida.

2 ENTRADA DE CA - Conecte aquí el cable de corriente IEC que se incluye.

En el panel trasero del Resolv 65a encontrará dos controles muy importantes para el ajuste del sonido global del monitor, Mid-Presence y Volume. Puede ajustar estos controles a la posición que más le guste y después “olvidarlos en esa posición”. Esto es así siempre y cuando los monitores vayan a quedar en la misma posición del mismo estudio. Si se los lleva a otro estudio verá que estos controles le son de gran utilidad para ajustar de nuevo el sonido de acuerdo a esa nueva sala.



Manejo del RESOLV 65a

Panel de control del RESOLV 65a - continuación

3 CONTROL MID PRESENCE

El control de cuatro posiciones Mid Presence se usa para ajustar la respuesta de rango medio (en pasos de 3 dB), lo que permite conseguir unos sonidos personalizados desde sonidos hi-fi a monitorización de rango cercano, con un rango medio agresivo. Hay muchos técnicos de sonido que le gusta este último tipo de sonido. En una grabación típica, el rango medio es habitualmente el que engloba a más partes de la música dentro de un mismo rango de frecuencia. El tener un ligero 'realce' allí es como tener una cámara que amplíe una zona de tráfico denso. Observará que el cambio es sutil. La mejor forma de ajustar este control es hacer que el sonido le guste a usted. Así pues, pruebe con los distintos ajustes para localizar la combinación entre los controles de volumen y presencia que quiera. Para conseguir esto, reproduzca varios CD de música con los que esté familiarizado. Recuerde, si piensa que las cosas no están como quiere, siempre puede volver a una respuesta plana cuando el control de presencia está en la posición "0".

4 CONTROL VOLUME

Este control se utiliza para ajustar el nivel de salida global del Resolv 65a. Cuando use esta unidad por primera vez, comience con el control de volumen abajo del todo. Vaya subiendo el valor de este control hasta llegar a un nivel de escucha cómodo.

Las entradas y salidas

El RESOLV 65a dispone de una amplia gama de conectores de entrada que le permiten una instalación muy sencilla con una gran variedad de unidades audio como mesas de mezclas, grabado de disco duro, reproductores de CD y tarjetas de sonido, por nombrar solo unos pocos. En la sección siguiente le detallamos los conectores de entrada del Resolv 65a. En la página 12 puede encontrar además un completo diagrama de cableado.

5 ENTRADA AUDIO XLR BALANCEADA

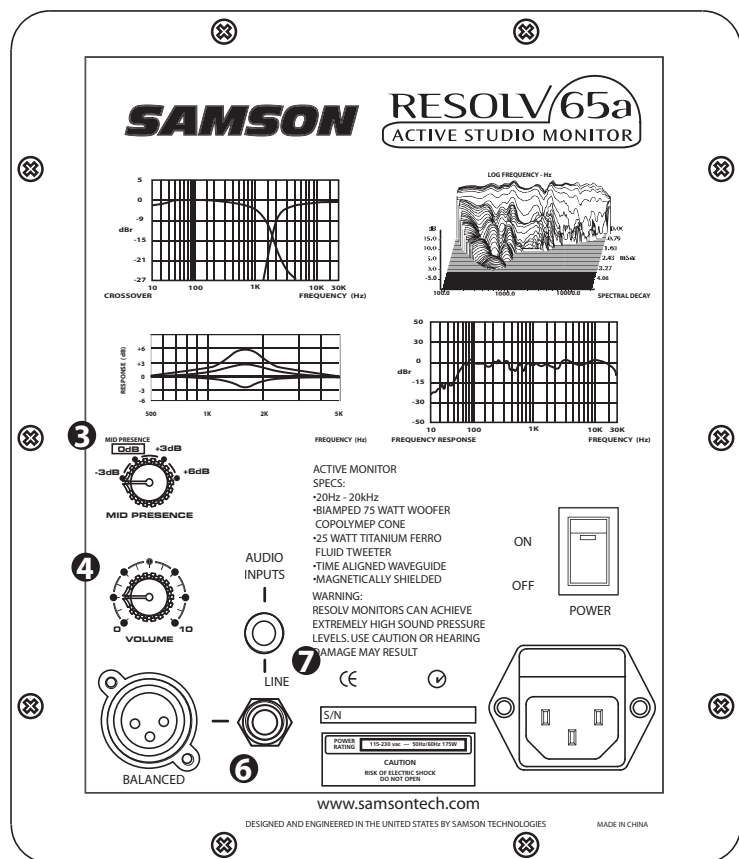
El Resolv 65a dispone de un conector XLR hembra que aceptará una señal con nivel línea +4 dBm balanceada o no balanceada. Si está usando una mesa de mezclas que tenga conectores de salida XLR balanceados, puede hacer las conexiones por medio de cables XLR standard (micrófono).

6 ENTRADA AUDIO PHONE DE 6,3 MM

También tiene una entrada TRS (punta, anillo, lateral) de 6,3 mm que se usa para conectar señales de nivel de línea balanceadas o no balanceadas. Esta entrada es un conector interruptor, por lo que cuando introduce aquí un conector, las entradas XLR y/o RCA quedan desactivadas y la entrada de 6,3 mm queda activa. Esto le permite disponer de un punto de distribución de señal muy útil para una rápida inserción de una segunda fuente de señal para tests o ampliaciones.

7 ENTRADA AUDIO RCA

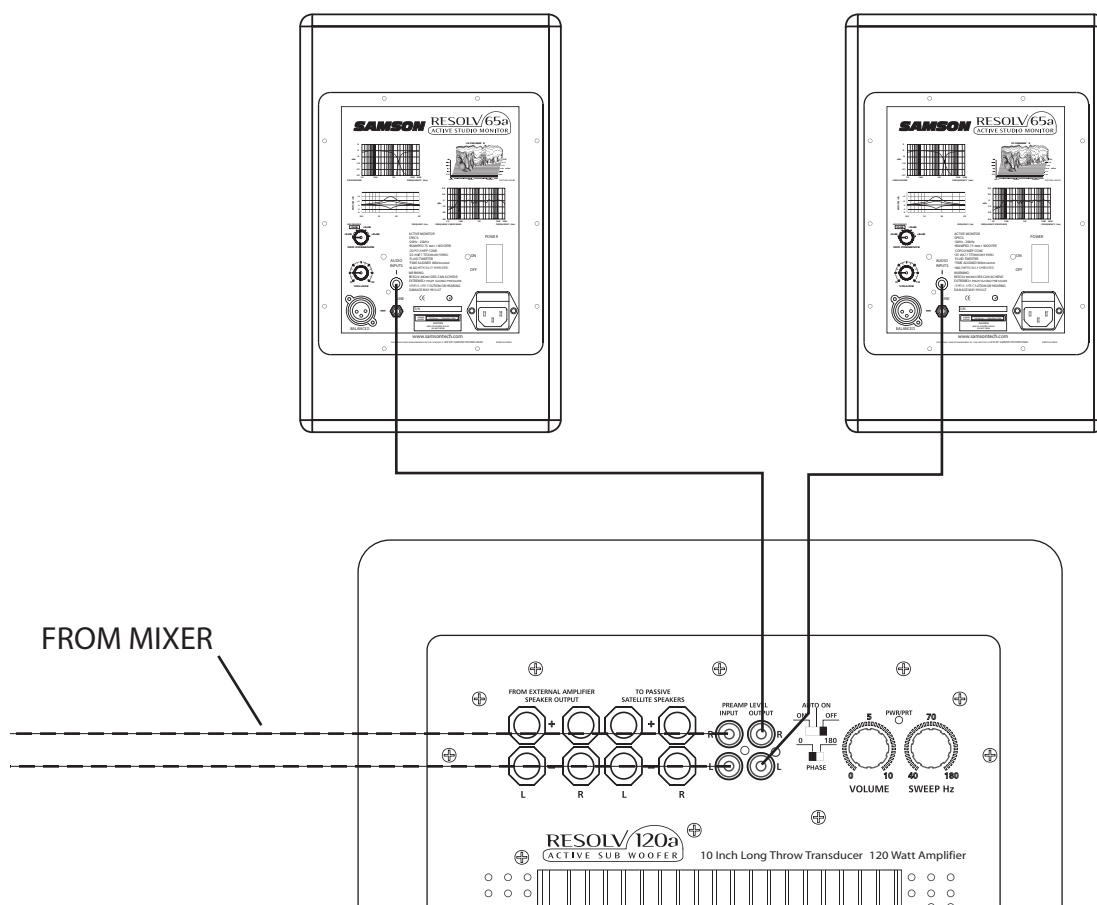
La entrada RCA acepta señales no balanceadas y se usa para conectar señales procedentes de unidades con nivel de -10dBV no balanceadas.



Conexión al subwoofer Resolv120a

Resolv 65a con Mono Sub

El añadir un subwoofer y ampliar así la respuesta en graves a su sistema Resolv 65a es muy sencillo usando las entradas LINE LEVEL del RESOLV 65a. Aquí abajo tiene una configuración típica de sistema en el que se usa el RESOLV 120a con una mesa de mezclas y un par de altavoces satélites Resolv 65a. Las entradas del RESOLV 65a utilizan conectores RCA standard. Si quiere ver un diagrama de cableado completo, vea la sección "Conexiones del RESOLV 65a" en la página 12. Siga los pasos indicados en el diagrama siguiente para configurar su sistema.



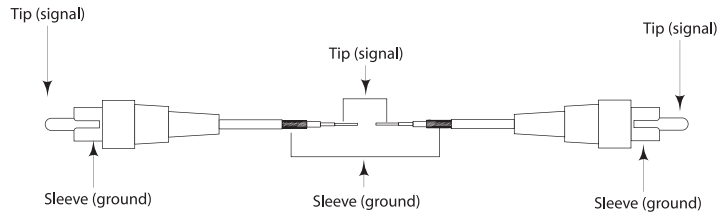
- Coloque abajo del todo los controles de salidas master de la mesa de mezclas.
- Conecte la salida izquierda de la mesa a la entrada LINE INPUT izquierda del RESOLV 120 y la salida derecha de la mesa a la otra entrada. Conecte ahora la salida LINE OUTPUT izquierda del RESOLV 120 a la entrada del RESOLV 65a izquierdo y la salida derecha del RESOLV 120 a la entrada del monitor satélite derecho.
- Haga pasar una señal audio (como la de un CD de música) a través de la mesa y aumente el nivel hasta llegar a un volumen de escucha que le resulte cómodo.
- Ajuste ahora el control SWEEP a la frecuencia que quiera. Consulte el manual de instrucciones de sus monitores de estudio para ver cual es el punto de separación recomendado. También puede ajustar este control SWEEP de oído a la frecuencia que mejor le suene. Un buen punto medio suele ser sobre los 70 Hz.

Conexiones del RESOLV 65a

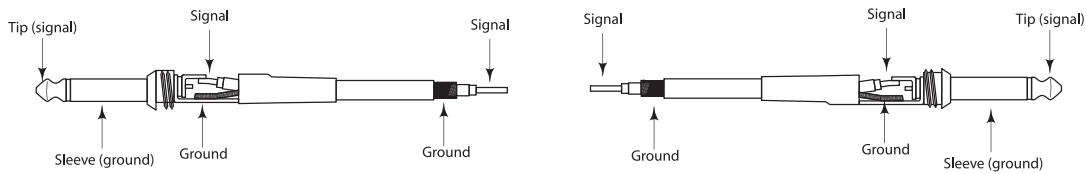
Guía de cableado del RESOLV 65a

Hay varias formas de interconectar el RESOLV 65a, dependiendo de su montaje de monitorización concreto. Para la conexión de su sistema de monitorización vea los siguientes diagramas de cables.

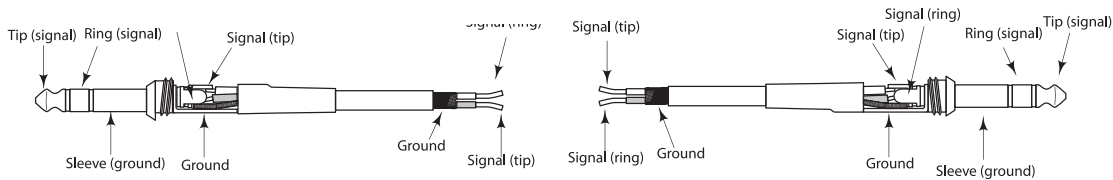
Cable RCA a RCA



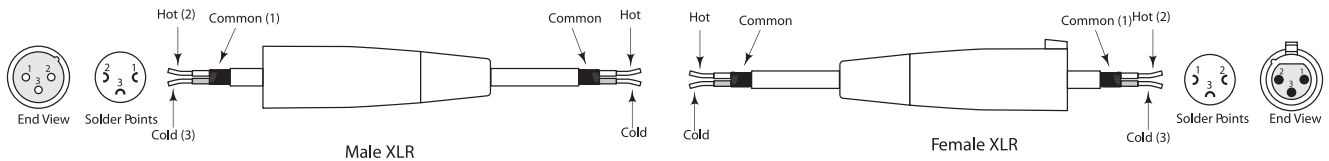
Cable 6,3 mm no balanceado a 6,3 mm



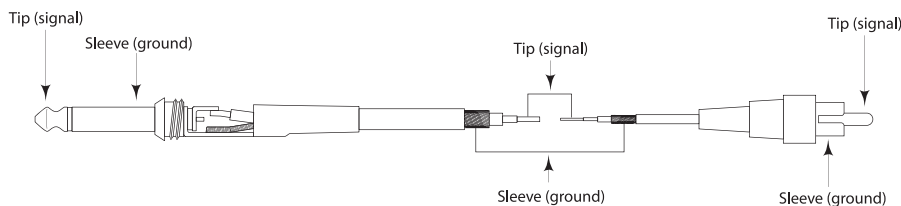
Cable 6,3 mm balanceado a 6,3 mm



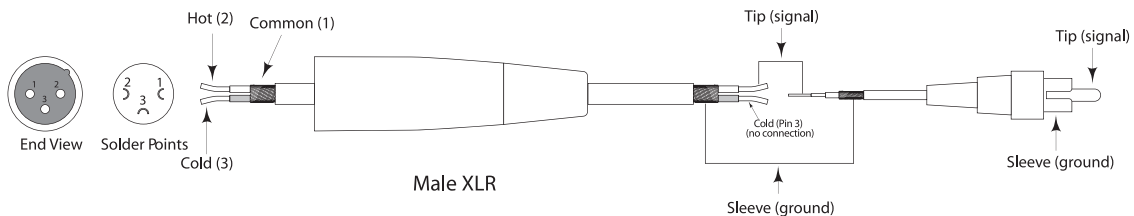
Cable XLR a XLR balanceado



Cable de 6,3 mm no balanceado a RCA



Cable XLR no balanceado a RCA



Resolv 65a Specifications/Caractéristiques techniques/Technische Daten/Especificaciones técnicas

Specifications

Transducers:	16.5 cm copolymer woofer with butyl surround, 1-inch titanium , ferro fluid cooled tweeter
Frequency response:	62Hz - 25KHz +/-3 dB
Sensitivity:	97dB SPL @ 1 W/1m
Amplifier:	
Power Rating:	
Low-frequency -	75 Watts RMS
High-frequency	25 Watts RMS
Frequency response:	30Hz- 300Hz+/-3 dB
Crossover Frequency:	2.3KHz, multi-pole filter
Inputs:	
Unbalanced	-10dBV Line Level
Connector:	RCA
Balanced	+4dBu Line Level
Connector:	1/4-inch Phone TRS (Tip Ring Sleeve) XLR
Enclosure:	
Construction:	MDF (Medium Density Fiberboard)
Finish:	Black Textured Epoxy Paint
Feet:	Large Rubber
Dimensions:	9 1/4" (235mm) W x 13 5/8" (346mm) H x 10 3/4" (273mm) D
Weight:	18 lbs. 8.2 kg.

Caractéristiques techniques

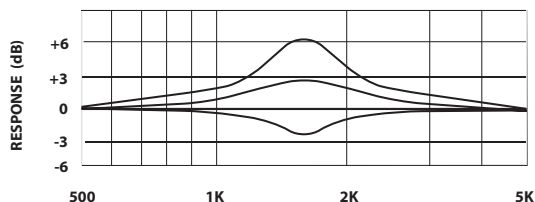
Haut-parleurs :	Woofer de 16,5 cm à membrane copolymère et suspension butyle ; Tweeter de 2,5 cm au titane, refroidi par ferro fluide
Bande passante :	62 Hz - 25 kHz +/-3 dB
Rendement :	7 dB SPL à 1 W/1 m
Amplificateurs	
Puissance :	Woofer - 75 Watts efficace Tweeter - 25 Watts efficace
Bande passante :	30 Hz - 30 kHz +/-3 dB
Fréquence de coupure :	2,3 kHz, filtre multi-pôle
Entrées :	
Asymétriques :	-10 dBV niveau ligne
Connecteurs :	RCA
Symétriques :	+4 dBu niveau ligne
Connecteurs :	Jack stéréo 6,35 mm (pointe, bague, corps) XLR
Baffle :	
Construction :	Panneaux de particules de fibre de moyenne densité MDF
Finition :	Peinture époxy noire
Pieds :	Caoutchouc de grande dimension
Dimensions :	235 mm (l) x 346 mm (h) 273 mm (p)
Poids :	8,2 kg

Technische Daten

Wandler:	6,5" Copolymer Woofer mit Butylen-Rahmen, 2.5 cm Titan-Tweeter, Ferro-
Flüssigkeitsgekühlt	
Frequenzgang:	62 Hz - 25 kHz, +/-3 dB
Betriebsleistung:	97 dB SPL @ 1 W/1m
Verstärker:	
Nennleistung:	Bässe - 75 Watt RMS Höhen - 25 Watt RMS
Frequenzgang:	30 Hz - 300 Hz, +/-3 dB
Crossover- Frequenz:	2,3 kHz, Multipol-Filter
Eingänge:	
Asymmetrisch	-10 dBV Line-Pegel
Anschluss:	Cinch
Symmetrisch	+4 dBu Line-Pegel
Anschluss:	1/4" Klinke TRS (Tip Ring Sleeve) XLR
Gehäuse:	
Konstruktion:	MDF (Faserplatte mittlerer Dichte)
Überzug:	schwarz texturierter Epoxid-Lack
Füße:	große Gummifüße
Abmessungen:	235 mm (9 1/4") B x 346 mm (13 5/8") Hx 273 mm (10 3/4") T

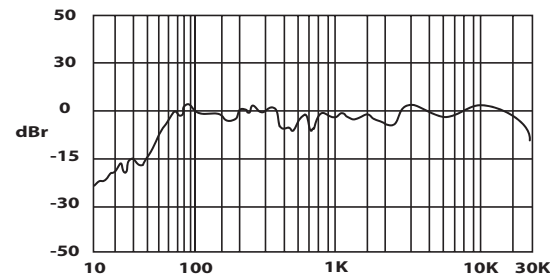
Especificaciones técnicas

Transductores:	woofer de 16.5 cm en polímero con recubrimiento de butilo, tweeter de 2.5 cm en titanio, refrigerado por fluido férrico
Respuesta de frecuencia:	62 Hz - 25 KHz +/-3 dB
Sensibilidad:	97dB SPL @ 1 W/1m
Amplificador:	
Nivel de potencia:	Graves - 75 watios RMS Agudos - 25 watios RMS
Respuesta de frecuencia:	30 Hz- 300 Hz+/-3 dB
frecuencia de separación o crossover:	2.3 KHz, filtro multi-polo
Entradas:	
No balanceada	Nivel de línea -10dBV
Conector:	RCA
Balanceada	Nivel de línea +4dBu
Conector:	TRS de 6,3 mm (punta-anillo-lateral) XLR
Recinto acústico:	
Construcción:	MDF (fibra de densidad media)
Acabado:	Pintura epoxy en negro
Patas:	Grandes piezas de goma
Dimensiones:	9 1/4" (235mm) L x 13 5/8" (346mm) A x 10 3/4" (273mm) P
Peso:	18 lbs., 8.2 kg.



MID PRESENCE

FREQUENCY (Hz)



FREQUENCY RESPONSE

FREQUENCY (Hz)

Notes

Samson Technologies Corp.
575 Underhill Blvd.
P.O. Box 9031
Syosset, NY 11791-9031
Phone: 1-800-3-SAMSON (1-800-372-6766)
Fax: 516-364-3888
www.samsontech.com