

JBL

PROFESSIONAL

MP215 15 Inch Two-Way Speaker

MPRO

Professional Series

Key Features:

- ▶ 70° x 70° horn designed for even coverage and smooth response on and off axis.
- ▶ Ferro-fluid cooled compression driver with titanium diaphragm.
- ▶ SonicGuard™ protects high-frequency driver from excess power without interrupting the performance.
- ▶ JBL 15" low frequency driver with 2½" (64 mm), edge-wound voice-coil.
- ▶ Laminar Flow Baffle™ reduces distortion and diffraction effects by providing smooth, rounded baffle contours.
- ▶ Single piece baffle constructed of SMC (sheet molding compound), a durable, cross-linked thermo-plastic also used in automotive body panels.
- ▶ Precision engineered crossover for optimal power response and performance in the critical mid-range region.
- ▶ Input panel includes a Neutrik® Speakon® NL-4 input and a ¼" phone jack for flexible connectivity.
- ▶ Trapezoidal enclosure constructed of 18 mm plywood using tongue-and-groove joint detail for durability and years of service.
- ▶ Covered in premium grade, 12 oz. carpet - the most durable and attractive carpet covering available.
- ▶ Attractive 16 gauge, hexagon perforated, steel grill protects components from damage.
- ▶ 35 mm pole mount receptacle.

The MPro MP215 is a portable, fifteen inch, two-way speaker system designed for applications in live performance, music playback, and



reinforcement of speech. The Laminar Flow Baffle reduces diffraction effects and distortion resulting from turbulence. The horn design with its large mouth delivers smooth, natural reproduction - especially in the critical mid-range. The edges of the premium grade carpet are captured by the joint detail to prevent visible seams or peeling. A 16 gauge, steel grill protects the 15 inch JBL woofer.

Preliminary Specifications:

System Type:	15", 2-way, bass-reflex
Frequency Range (-10 dB) ¹ :	45 Hz - 16 kHz
Frequency Response (±3 dB) ¹ :	50 Hz - 12.5 kHz
Sensitivity (1w/1m):	99 dB SPL
Nominal Impedance:	8 ohms
Maximum SPL ² :	129 dB
Power Capacity ² :	250 watts
Peak Power Capacity ² :	1,000 watts
Nominal Dispersion:	70° x 70°
Dimensions (H x W x D):	709.4 mm x 466.3 mm x 347.1 mm (28.46 in x 18.36 in x 13.67 in)
Net Weight:	22.2 kg (49 lbs.)
LF Driver:	1 x JBL M115-8A
HF Driver:	1 x JBL 2412
Input Connectors:	Neutrik® Speakon® NL-4 (x1), ¼" phone jack (x1), parallel
Enclosure Construction:	Dark gray carpet covered, 18 mm plywood using tongue-and-groove joint detail. One piece SMC (sheet molding compound) baffle with integral horn and ports.

¹ Half space (2π) conditions

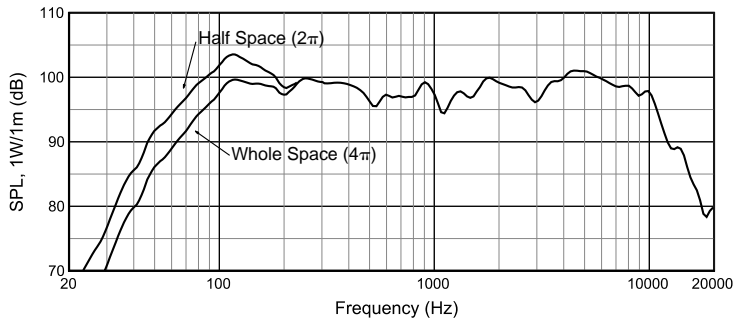
² "Power Capacity" and "Peak Power Capacity" ratings are based on the average and peak power handling capacity of product samples subjected to a 100 hour power test of the system design using IEC filtered random noise with a crest factor of 6 dB

³ Calculated based on Peak Power Capacity and Sensitivity

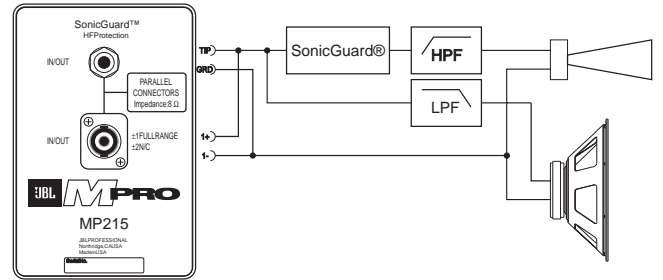
JBL continually engages in research related to product improvement. New materials, production methods and design refinements are introduced into existing products without notice as a routine expression of that philosophy. For this reason, any current JBL product may differ in some respect from its published description, but will always equal or exceed the original design specifications unless otherwise stated.

▶ MPro MP215 15 Inch Two-Way Portable Sound Reinforcement Speaker

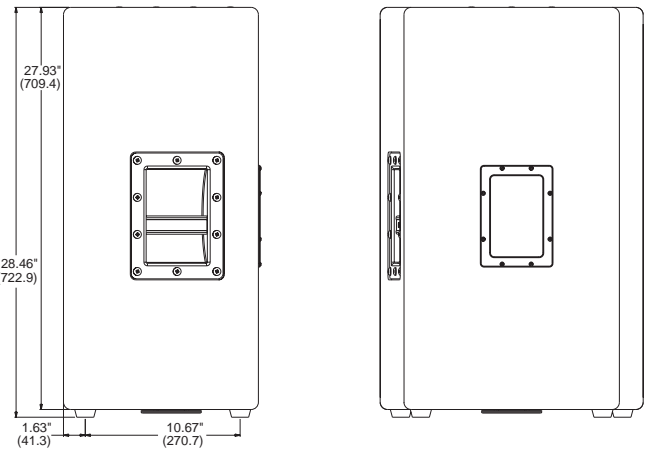
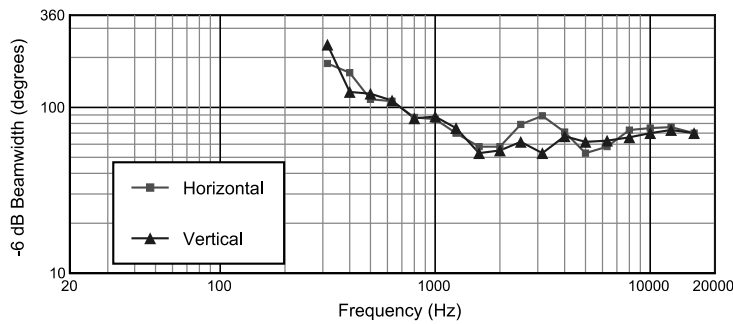
Frequency Response:



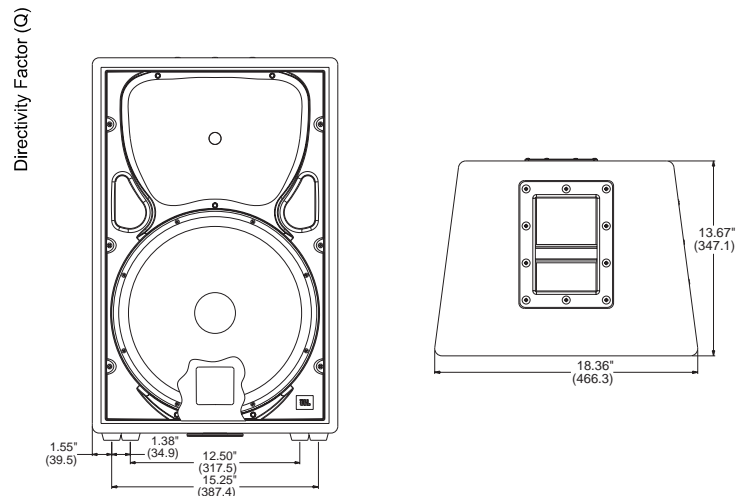
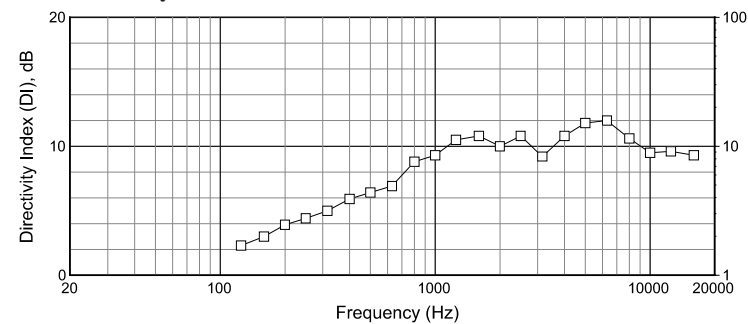
Block Diagram:



Beamwidth:



Directivity Index:



JBL Professional
 8500 Balboa Boulevard, P.O. Box 2200
 Northridge, California 91329 U.S.A.
 A Harman International Company

CRP 15M
 5/01