



Tone Garage
Owner's Manual
Manual d'utilisation
Bedienungsanleitung
Manual de Usuario
取扱説明書



VOX AMPLIFICATION LTD. <http://www.voxamps.com/>
1 Harrison Close, Knowlhill, Milton Keynes, MK5 8PA, UK
© 2013 VOX AMPLIFICATION LTD.

REMARQUE IMPORTANTE POUR LES CLIENTS
Ce produit a été fabriqué suivant des spécifications sévères et des besoins en tension applicables dans le pays où ce produit doit être utilisé. Si vous avez acheté ce produit via l'internet, par vente par correspondance ou/et vente par téléphone, vous devez vérifier que ce produit est bien utilisable dans le pays où vous résidez.
ATTENTION: L'utilisation de ce produit dans un pays autre que celui pour lequel il a été conçu peut être dangereuse et annulera la garantie du fabricant ou du distributeur. Conservez bien votre récépissé qui est la preuve de votre achat, faute de quoi votre produit ne risque de ne plus être couvert par la garantie du fabricant ou du distributeur.

WICHTIGER HINWEIS FÜR KUNDEN
Dieses Produkt wurde unter strenger Beachtung von Spezifikationen und Spannungsanforderungen hergestellt, die im Bestimmungsland gelten. Wenn Sie dieses Produkt über das Internet, per Postversand und/oder mit telefonischer Bestellung gekauft haben, müssen Sie bestätigen, dass dieses Produkt für Ihr Wohngebiet ausgelegt ist. **WARNUNG:** Verwendung dieses Produkts in einem anderen Land als dem, für das es bestimmt ist, verwendet wird, kann gefährlich sein und die Garantie des Herstellers oder Importeurs hinfällig lassen werden. Bitte bewahren Sie diese Quittung als Kaufbeleg auf, da andernfalls das Produkt von der Garantie des Herstellers oder Importeurs ausgeschlossen werden kann.

NOTA IMPORTANTE PARA EL CONSUMIDOR
Este producto ha sido fabricado de acuerdo a estrictas especificaciones y requerimientos de voltaje aplicables en el país para el cual está destinado. Si ha comprado este producto por internet, a través de correo, y/o venta telefónica, debe usted verificar que el uso de este producto está destinado al país en el cual reside.
AVISO: El uso de este producto en un país distinto al cual está destinado podría resultar peligroso y podría invalidar la garantía del fabricante o distribuidor.
Por favor guarde su recibo como prueba de compra ya que de otro modo el producto puede verse privado de la garantía del fabricante o distribuidor.

IMPORTANT NOTICE TO CONSUMERS
This product has been manufactured according to strict specifications and voltage requirements that are applicable in the country in which it is intended that this product should be used. If you have purchased this product via the internet, through mail order, or/and via a telephone sale, you must verify that this product is intended to be used in the country in which you reside.
WARNINGS: Use of this product in any country other than that for which it is intended could be dangerous and could invalidate the manufacturer's or distributor's warranty. Please save your receipt as proof of purchase otherwise your product may be disqualified from the manufacturer's or distributor's warranty.

Precautions

Location

Using the unit in the following locations can result in a malfunction.

- In direct sunlight
- Locations of extreme temperature or humidity
- Excessively dusty or dirty locations
- Locations of excessive vibration
- Close to magnetic fields

Power supply

Please connect the designated AC adapter to an AC outlet of the correct voltage. Do not connect it to an AC outlet of voltage other than that for which your unit is intended.

Interference with other electrical devices

Radios and televisions placed nearby may experience reception interference. Operate this unit at a suitable distance from radios and televisions.

Handling

To avoid breakage, do not apply excessive force to the switches or controls.

Care

If the exterior becomes dirty, wipe it with a clean, dry cloth. Do not use liquid cleaners such as benzene or thinner, or cleaning compounds or flammable polishes.

Keep this manual

After reading this manual, please keep it for later reference.

Keeping foreign matter out of your equipment

Never set any container with liquid in it near this equipment. If liquid gets into the equipment, it could cause a breakdown, fire, or electrical shock.

Be careful not to let metal objects get into the equipment. If something does slip into the equipment, unplug the AC adapter from the wall outlet. Then contact your nearest VOX dealer or the store where the equipment was purchased.

The FCC regulation warning for DD-DL (Double Deca Delay)

THE FCC REGULATION WARNING (for USA)

NOTE: This equipment has been tested and found to comply with the limits for a Class B digital device, pursuant to Part 15 of the FCC Rules. These limits are designed to provide reasonable protection against harmful interference in a residential installation. This equipment generates, uses, and can radiate radio frequency energy and, if not installed and used in accordance with the instructions, may cause harmful interference to radio communications. However, there is no guarantee that interference will not occur in a particular installation. If this equipment does cause harmful interference to radio or television reception, which can be determined by turning the equipment off and on, the user is encouraged to try to correct the interference by one or more of the following measures:

- Reorient or relocate the receiving antenna.
- Increase the separation between the equipment and receiver.
- Connect the equipment into an outlet on a circuit different from that to which the receiver is connected.
- Consult the dealer or an experienced radio/TV technician for help.

If items such as cables are included with this equipment, you must use those included items. Unauthorized changes or modification to this system can void the user's authority to operate this equipment.

Notice regarding disposal (for EU)

When this "crossed-out wheeled bin" symbol is displayed on the product, owner's manual, battery, or battery package, it signifies that when you wish to dispose of this product, manual, package or battery you must do so in an approved manner. Do not discard this product, manual, package or battery along with ordinary household waste. Disposing in the correct manner will prevent harm to human health and potential damage to the environment. Since the correct method of disposal will depend on the applicable laws and regulations in your locality, please contact your local administrative body for details. If the battery contains heavy metals in excess of the regulated amount, a chemical symbol is displayed below the "crossed-out wheeled bin" symbol on the battery or battery package.

* All product names and company names are the trademarks or registered trademarks of their respective owners.

Thank you for purchasing the VOX Double Deca Delay / Trike Fuzz. To help you get the most out of your new instrument, please read this manual carefully.

VOX reveals new analog stomp box series, Tone Garage series. The Tone Garage series has all these common features.

1.Perfect TRUE BYPASS

We chose a reliable miniature relay for bypassing the circuit. The result is the purest bypass signal.

2. DISCRETE circuit design

We chose not to use operational amplifiers in the circuit, so that the sound won't be coloured.

3. POWER switch

We know most stomp boxes turn the power on when the guitar lead is inserted, but it's not good for the quality of the power circuit. All of this series has a power switch to enable the highest quality power supply design.

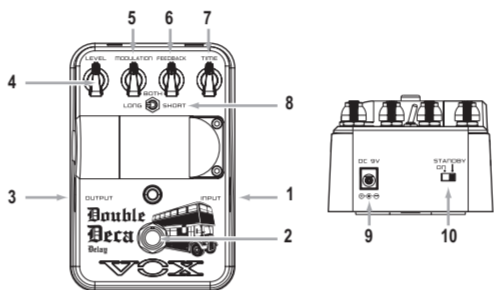
4. Unprecedented analog circuit design

This series of pedals has an original and unique analog circuit, that has not been seen in the stomp box market before.

Controls

Double Deca Delay

This is a multi functional analog delay pedal, designed with 3 BBD modules.

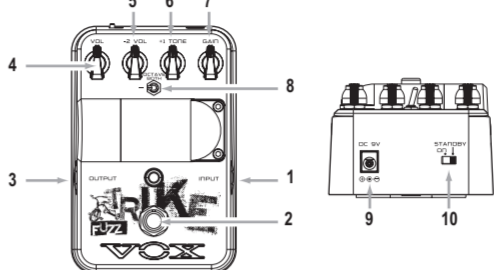


- INPUT:** Connect your guitar to this jack.
- EFFECT (Bypass):** Press this switch to alternate between the EFFECT and BYPASS. LED On : EFFECT LED Off: BYPASS
- OUTPUT:** Connect this jack to your guitar amp.
- LEVEL:** Use this to adjust the effect level that is mixed with the input signal.

- MODULATION:** This adjusts the depth of the internal modulation effect. Modulation speed is fixed internally.
- FEEDBACK:** Use this to adjust the feedback level.
- TIME:** Use this to adjust the delay time. This works for both SHORT (max 300msec) and LONG(max 900msec.)
- SHORT/BOTH/LONG:** Use the toggle switch to select the output- Short, Both (Short+Long) or Long.
- DC9V:** Connect the separately sold AC adapter (DC9V) here.
- ON/STANDBY Switch:** This turns the power on/off.

Trike Fuzz

This is a multi functional octave fuzz pedal, with 3 modes, +1, -1, -2 octaves.



- INPUT:** Connect your guitar to this jack.
- EFFECT (Bypass):** Press this switch to alternate between the EFFECT and BYPASS. LED On : EFFECT LED Off: BYPASS
- OUTPUT:** Connect this jack to your guitar amp.
- VOL:** Use this to adjust the overall volume of the pedal.
- 2 VOL:** This volume works only for the -2 octave. (The volume for -1 octave is fixed internally.)
- +1 TONE:** This tone works only for the +1 octave.
- GAIN:** Use this to adjust the gain. This will affect the tracking quality of the octaves.
- OCTAVE:** Use this to select 3 modes of the octaves. Turn this to + enables +1 octave only, BOTH enables all the octaves, +1, -1, -2. Turn this to—enables -1 and -2 octaves only.
- TIP** For smoother tracking of octaves, we recommend you to use the neck position pickup.
- TIP** Mono notes allow you to get smoother tracking, whereas polyphonic notes will result in complicated overtones.
- DC9V:** Connect the separately sold AC adapter (DC9V) here.
- ON/STANDBY Switch:** This turns the power on/off.

Installing the battery

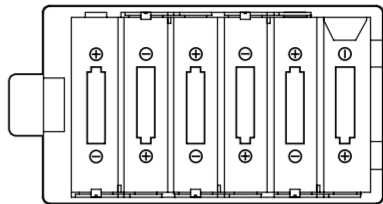
Battery Operation

When the batteries begin to run down, the Effect LED will become dimmer. Replace the batteries in the compartment located on the bottom of the pedal. If the batteries run down completely, the effect will not operate. Replace immediately, you can't let your fans down.

Battery Installation

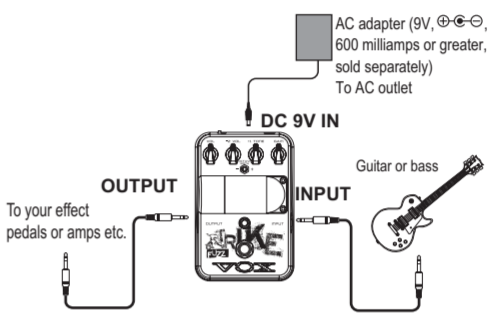
If you plan on not using the pedal for an extended period of time, (we'll assume you are on a holiday, otherwise why wouldn't you be using it?) remove the batteries to avoid damage caused by leakage.

- Open the battery cover that's located on the bottom.
- Attach the batteries to the battery clip, making sure that the polarity is correct.



- Observe the correct polarity and use AA size alkaline batteries only.
- Install the batteries and close the cover.

Connections



- Turn off the power to all devices before you make any connections to avoid damaging your equipment.

If you are using an optional AC adapter

If you use an optional AC adapter for power, be sure that it is 9 volt (9V) and at least 600 mA.

- Using an AC adapter other than what Vox recommends may cause a malfunction or damage.

Using the Pedal?

- Connect your guitar to the INPUT jack, and turn the power switch on.
- Connect the OUTPUT jack to your guitar amp.
- Before doing so, turn the volume on your amp down. Your speakers and ears will thank you.
- Pressing the effect switch alternates between effect on and bypass.
- Tone Garage pedals are True Bypass so when the effect is not on, your signal remains unchanged.
- Volume knob controls the overall volume (output) of the pedal.
- Tweak your sound with the control knobs.

Specifications

- Input /Output impedance:**
Double Deca Delay: 600k-ohms /2.2k-ohms
Trike Fuzz: 680k-ohms /2.2k-ohms
- Connections:** INPUT jack (guitar input), OUTPUT jack (line output), DC 9V IN jack
- Power supply:** Six LR6(AA size) alkaline batteries or AC adapter (9 V, 600 millamps or greater)
- Battery life :** Double Deca Delay: 80 hours of continuous use
Trike Fuzz: 280 hours of continuous use
- Dimensions (W x D x H):**
87 mm x 132 mm x 63 mm / 3.43" x 5.20" x 2.48" (including rubber feet)
- Weight:** 420 g / 14.81 oz. (not including batteries)
- Included items:** Owners manual, Six LR6 (AA size) alkaline battery
- Options (sold separately):**
AC adapter (9V, 600 millamps)

* Appearance and specifications are subject to change without notice for improvement.

