

THUNDERBIRD®

BX108

User's Manual

Version 1.0 May 2001

ENGLISH



BEHRINGER

INSTRUMENT AMPLIFICATION

SAFETY INSTRUCTIONS

CAUTION: To reduce the risk of electrical shock, do not remove the cover (or back). No user serviceable parts inside; refer servicing to qualified personnel.



WARNING: To reduce the risk of fire or electrical shock, do not expose this appliance to rain or moisture.



This symbol, wherever it appears, alerts you to the presence of uninsulated dangerous voltage inside the enclosure – voltage that may be sufficient to constitute a risk of shock.



This symbol, wherever it appears, alerts you to important operating and maintenance instructions in the accompanying literature. Read the manual.

DETAILED SAFETY INSTRUCTIONS:

All the safety and operation instructions should be read before the appliance is operated.

Retain Instructions:

The safety and operating instructions should be retained for future reference.

Heed Warnings:

All warnings on the appliance and in the operating instructions should be adhered to.

Follow instructions:

All operation and user instructions should be followed.

Water and Moisture:

The appliance should not be used near water (e.g. near a bathtub, washbowl, kitchen sink, laundry tub, in a wet basement, or near a swimming pool etc.).

Ventilation:

The appliance should be situated so that its location or position does not interfere with its proper ventilation. For example, the appliance should not be situated on a bed, sofa rug, or similar surface that may block the ventilation openings: or placed in a built-in installation, such as a bookcase or cabinet that may impede the flow of air through the ventilation openings.

Heat:

The appliance should be situated away from heat sources such as radiators, heat registers, stoves, or other appliances (including amplifiers) that produce heat.

Power Source:

The appliance should be connected to a power supply only of the type described in the operating instructions or as marked on the appliance.

Grounding or Polarization:

Precautions should be taken so that the grounding or polarization means of an appliance is not defeated.

Power-Cord Protection:

Power supply cords should be routed so that they are not likely to be walked on or pinched by items placed upon or against them, paying particular attention to cords and plugs, convenience receptacles and the point where they exit from the appliance.

Cleaning:

The appliance should be cleaned only as recommended by the manufacturer.

Non-use Periods:

The power cord of the appliance should be unplugged from the outlet when left unused for a long period of time.

Object and Liquid Entry:

Care should be taken so that objects do not fall and liquids are not spilled into the enclosure through openings.

Damage Requiring Service:

The appliance should be serviced by qualified service personnel when:

- The power supply cord or the plug has been damaged; or
- Objects have fallen, or liquid has been spilled into the appliance; or
- The appliance has been exposed to rain; or
- The appliance does not appear to operate normally or exhibits a marked change in performance; or
- The appliance has been dropped, or the enclosure damaged.

Servicing:

The user should not attempt to service the appliance beyond that which is described in the Operating Instructions. All other servicing should be referred to qualified service personnel.


1. INTRODUCTION

With the THUNDERBIRD you purchased a retro-style bass amp that offers you lots of practical uses in a really cool design. When developing the BX108, our top-priority goal was to fully exploit its sound potential and combine it with a set of useful connection options.

With the THUNDERBIRD BX108 we purposefully went back to the roots of bass amplification. We realized the idea “less is more” by designing a “nostalgic” practice amp that allows you to fully unfold your creativity. With its well-balanced basic sound it gives you what is most important when playing: lots of fun!


1.1 Before you begin

Your BX108 was carefully packed in the factory and the packaging is designed to protect the unit from rough handling. Nevertheless, we recommend that you carefully examine the packaging and its contents for any signs of physical damage, which may have occurred during transit.

 **If the unit is damaged, please do not return it to BEHRINGER, but notify your dealer and the shipping company immediately, otherwise claims for damage or replacement may not be granted. Shipping claims must be made by the consignee.**

Please ensure that your BX108 is set to the correct supply voltage before you connect the unit to the AC power system! Three triangular markings can be found on the fuse holder at the AC power connection socket. Two of these three triangles will be aligned with one another. The BX108 is set to the operating voltage shown next to these markings and can be switched over by twisting the fuse holder by 180°. **IMPORTANT: This does not apply to export models designed only for 115 V ~!**

Please ensure sufficient air circulation around the unit and do not place the BX108 close to a radiator or other heating system, so as to avoid overheating.

 **Please note that all units must have a proper ground connection. For your own safety, never remove or disable the ground conductor of the unit or of the AC power cable.**

1.2 Control elements

1.2.1 Front panel

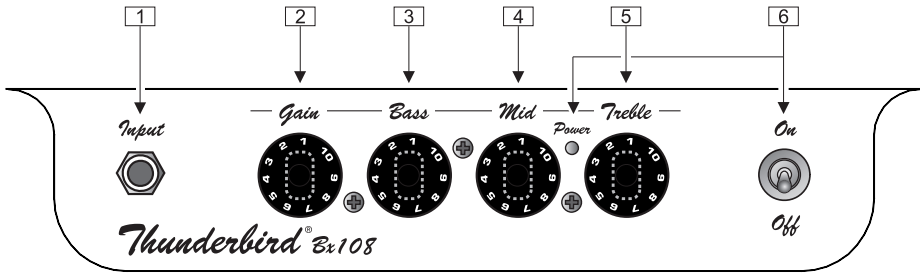


Fig. 1.1: Front panel control elements

- 1 INPUT is the BX108's 1/4" jack input for your active/passive electric bass.
- 2 The GAIN control determines the overall volume of the BX108.
- 3 The BASS control in the EQ section allows you to boost or cut the bass frequencies.
- 4 With the MID control you can boost/cut the midrange frequencies.
- 5 The TREBLE control adjusts the upper frequency range.
- 6 Use the ON/OFF button to switch your BX108 on or off: the LED located between the MID and TREBLE controls lights up when the unit is switched on.

1.2.2 Rear panel

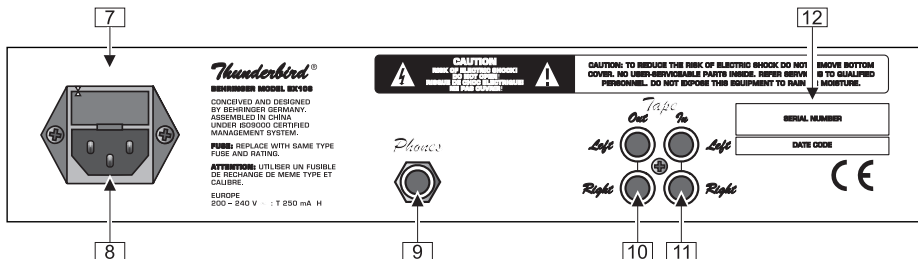


Fig. 1.2: Rear panel connectors

- 7 **FUSE HOLDER / VOLTAGE SELECTOR.** Please make sure that your local voltage matches the voltage indicated on the unit, before you attempt to connect and operate the BX108. Blown fuses may only be replaced by fuses of the same type and rating. Some models allow for inserting the fuse holder in two different positions, in order to switch over from 230-V to 115-V operation, and vice versa. Please note that for 115-V operation outside Europe, you need to use a fuse of a higher rating (see chapter 1.1).
- 8 Use the enclosed power cord to connect the unit to the mains.
- 9 The stereo 1/4" *PHONES* jack allows you to monitor the BX108's audio signal with a pair of commercially available headphones. Connecting the headphones will mute the built-in speaker.
- 10 The *TAPE OUT* cinch connector supplies the audio signal of your BX108, for example to send it to a recording machine.
- 11 The *TAPE IN* cinch connector allows you to connect an external signal source such as a drum computer or other machine providing audio playbacks.
- 12 **SERIAL NUMBER.** Please take the time to have the warranty card filled out completely, and return it within 14 days after the date of purchase, so as to be entitled to benefit from our extended warranty. Or use our online registration option available on the World Wide Web at www.behringer.com.


2. INSTALLATION

2.1 Mains connection

The mains connection is made by using the enclosed power cord and a standard IEC receptacle. It meets all of the international safety certification requirements.

2.2 Audio connections

The input of your THUNDERBIRD BX108 is on a mono 1/4" jack, the PHONES output on a stereo 1/4" jack. The tape inputs/outputs are on cinch connectors.

 **Please ensure that only qualified personnel install and operate the BX108. During installation and operation the user must have sufficient electrical contact to earth. Electrostatic charges might affect the operation of the THUNDERBIRD BX108.**

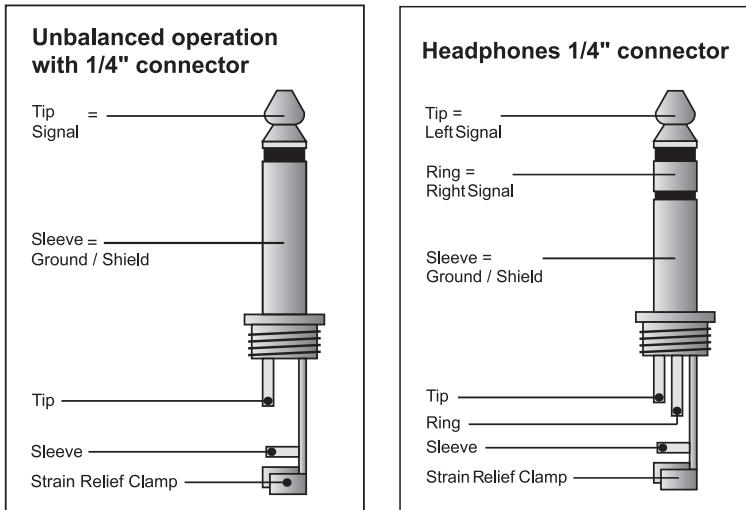


Fig. 2.1: Wiring of mono and PHONES jacks

3. SPECIFICATIONS

AUDIO INPUTS

Guitar input 1/4" mono jack, approx. 200 k Ω unbalanced
 Tape input Cinch connector, approx. 68 k Ω unbalanced

AUDIO OUTPUTS

Phones output 1/4" stereo jack
 Tape output Cinch connector, approx. 1 k Ω unbalanced

SYSTEM SPECIFICATIONS

Power amp output 15 Watts / 8 Ω

LOUDSPEAKER

Type 8" special custom-made speaker
 Impedance 8 Ω
 Power handling 25 Watts

POWER SUPPLY

Mains voltages U.S./Canada 120 V ~, 60 Hz
 U.K./Australia 240 V ~, 50 Hz
 Europe 230 V ~, 50 Hz
 General export model 100 - 120 V ~, 200 - 240 V ~, 50 - 60 Hz

Power consumption max. 25 Watts
 Fuse 100 - 120 V ~: **T 500 mA H**
 200 - 240 V ~: **T 250 mA H**

Mains connection Standard IEC receptacle

PHYSICAL

Dimensions (H * W * D) approx. 369 mm (14.5") * 330 mm (13") * 229 mm (9.1")
 Weight approx. 7 kg

BEHRINGER is constantly striving to maintain the highest professional standards. As a result of these efforts, modifications may be made from time to time to existing products without prior notice. Specifications and appearance may differ from those listed or illustrated.

4. WARRANTY

§ 1 WARRANTY CARD/ONLINE REGISTRATION

To be protected by the extended warranty, the buyer must complete and return the enclosed warranty card within 14 days of the date of purchase to BEHRINGER Spezielle Studioteknik GmbH, in accordance with the conditions stipulated in § 3. Failure to return the card in due time (date as per postmark) will void any extended warranty claims.

Based on the conditions herein, the buyer may also choose to use the online registration option via the Internet (www.behringer.com or www.behringer.de).

§ 2 WARRANTY

1. BEHRINGER (BEHRINGER Spezielle Studioteknik GmbH including all BEHRINGER subsidiaries listed on the enclosed page, except BEHRINGER Japan) warrants the mechanical and electronic components of this product to be free of defects in material and workmanship for a period of one (1) year from the original date of purchase, in accordance with the warranty regulations described below. If the product shows any defects within the specified warranty period that are not due to normal wear and tear and/or improper handling by the user, BEHRINGER shall, at its sole discretion, either repair or replace the product.

2. If the warranty claim proves to be justified, the product will be returned to the user freight prepaid.

3. Warranty claims other than those indicated above are expressly excluded.

§ 3 RETURN AUTHORIZATION NUMBER

1. To obtain warranty service, the buyer (or his authorized dealer) must call BEHRINGER (see enclosed list) during normal business hours **BEFORE** returning the product. All inquiries must be accompanied by a description of the problem. BEHRINGER will then issue a return authorization number.

2. Subsequently, the product must be returned in its original shipping carton, together with the return authorization number to the address indicated by BEHRINGER.

3. Shipments without freight prepaid will not be accepted.

§ 4 WARRANTY REGULATIONS

1. Warranty services will be furnished only if the product is accompanied by a copy of the original retail dealer's invoice. Any product deemed eligible for repair or replacement by BEHRINGER under the terms of this warranty will be repaired or replaced within 30 days of receipt of the product at BEHRINGER.

2. If the product needs to be modified or adapted in order to comply with applicable technical or safety standards on a national or local level, in any country which is not the country for which the product was originally developed and manufactured, this modification/adaptation shall not be considered a defect in materials or workmanship. The warranty does not cover any such modification/adaptation, irrespective of whether it was carried out properly or not. Under the terms of this warranty, BEHRINGER shall not be held responsible for any cost resulting from such a modification/adaptation.

3. Free inspections and maintenance/repair work are expressly excluded from this warranty, in particular, if caused by improper handling of the product by the user.

This also applies to defects caused by normal wear and tear, in particular, of faders, potentiometers, keys/buttons and similar parts.

4. Damages/defects caused by the following conditions are not covered by this warranty:

- ▲ misuse, neglect or failure to operate the unit in compliance with the instructions given in BEHRINGER user or service manuals.
- ▲ connection or operation of the unit in any way that does not comply with the technical or safety regulations applicable in the country where the product is used.
- ▲ damages/defects caused by force majeure or any other condition that is beyond the control of BEHRINGER.

5. Any repair or opening of the unit carried out by unauthorized personnel (user included) will void the warranty.

6. If an inspection of the product by BEHRINGER shows that the defect in question is not covered by the warranty, the inspection costs are payable by the customer.

7. Products which do not meet the terms of this warranty will be repaired exclusively at the buyer's expense. BEHRINGER will inform the buyer of any such circumstance. If the buyer fails to submit a written repair order within 6 weeks after notification, BEHRINGER will return the unit C.O.D. with a separate invoice for freight and packing. Such costs will also be invoiced separately when the buyer has sent in a written repair order.

§ 5 WARRANTY TRANSFERABILITY

This warranty is extended exclusively to the original buyer (customer of retail dealer) and is not transferable to anyone who may subsequently purchase this product. No other person (retail dealer, etc.) shall be entitled to give any warranty promise on behalf of BEHRINGER.

§ 6 CLAIM FOR DAMAGES

Failure of BEHRINGER to provide proper warranty service shall not entitle the buyer to claim (consequential) damages. In no event shall the liability of BEHRINGER exceed the invoiced value of the product.

§ 7 OTHER WARRANTY RIGHTS AND NATIONAL LAW

1. This warranty does not exclude or limit the buyer's statutory rights provided by national law, in particular, any such rights against the seller that arise from a legally effective purchase contract.

2. The warranty regulations mentioned herein are applicable unless they constitute an infringement of national warranty law.

The information contained in this manual is subject to change without notice. No part of this manual may be reproduced or transmitted in any form or by any means, electronic or mechanical, including photocopying and recording of any kind, for any purpose, without the express written permission of BEHRINGER Spezielle Studioteknik GmbH.

BEHRINGER and THUNDERBIRD are registered trademarks.

ALL RIGHTS RESERVED. © 2001 BEHRINGER Spezielle Studioteknik GmbH.

BEHRINGER Spezielle Studioteknik GmbH, Hanns-Martin-Schleyer-Str. 36-38, 47877 Willich-Münchheide II, Germany

Tel. +49 (0) 21 54 / 92 06-0, Fax +49 (0) 21 54 / 92 06-30