

# IVM 4

## Audio Routing SST 4 / SPR 4

© AKG Acoustics 2008

[www.akg.com](http://www.akg.com)

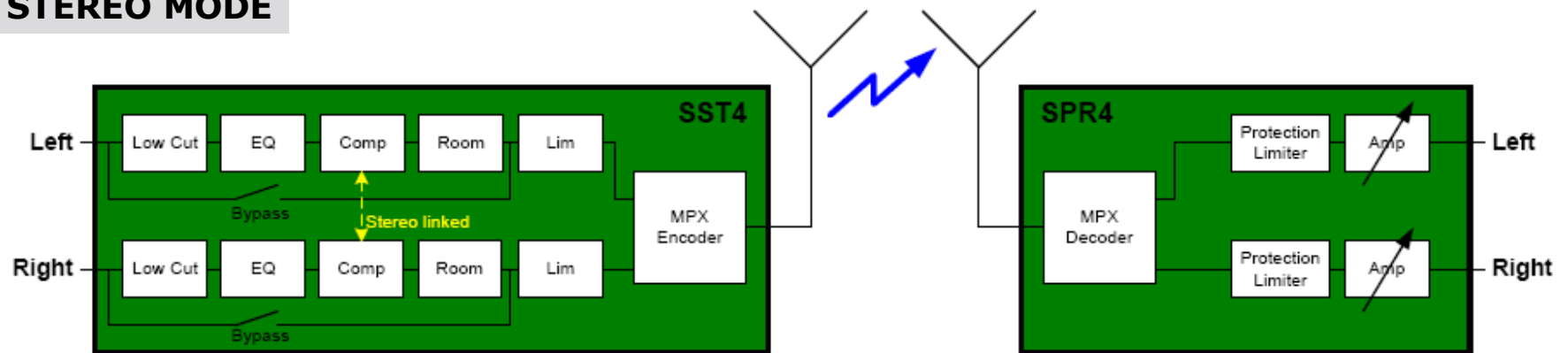
A Harman International Company

AKG SOUNDS BETTER



# IVM 4 – AUDIO ROUTING

## STEREO MODE



### SST 4:

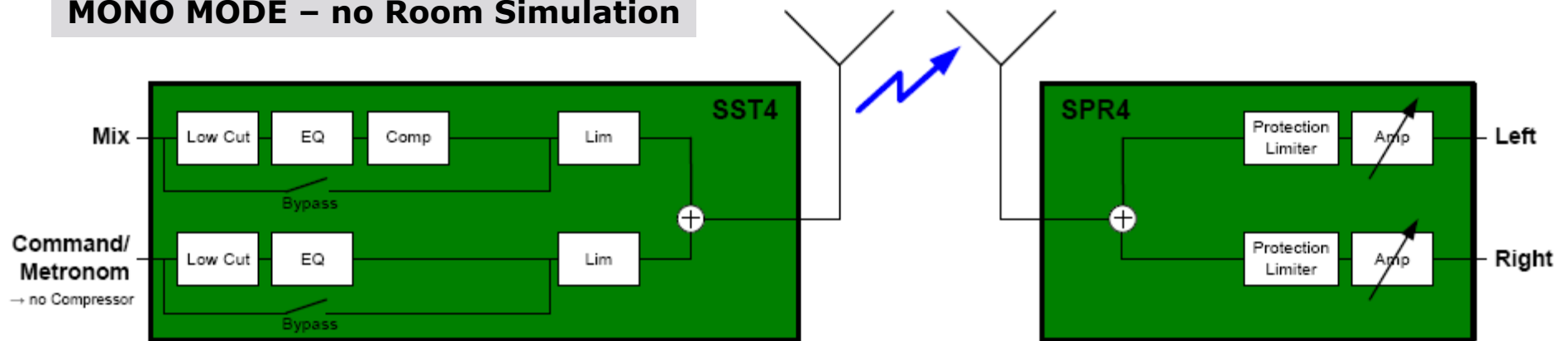
- *Comp*: Stereo-Linked Compressor
- *Lim*: Technical limiter – always necessary

### SPR 4:

- *Protection Limiter*: Can be turned off
- *Volume and Balance* can be adjusted

# IVM 4 – AUDIO ROUTING

## MONO MODE – no Room Simulation



### SST 4:

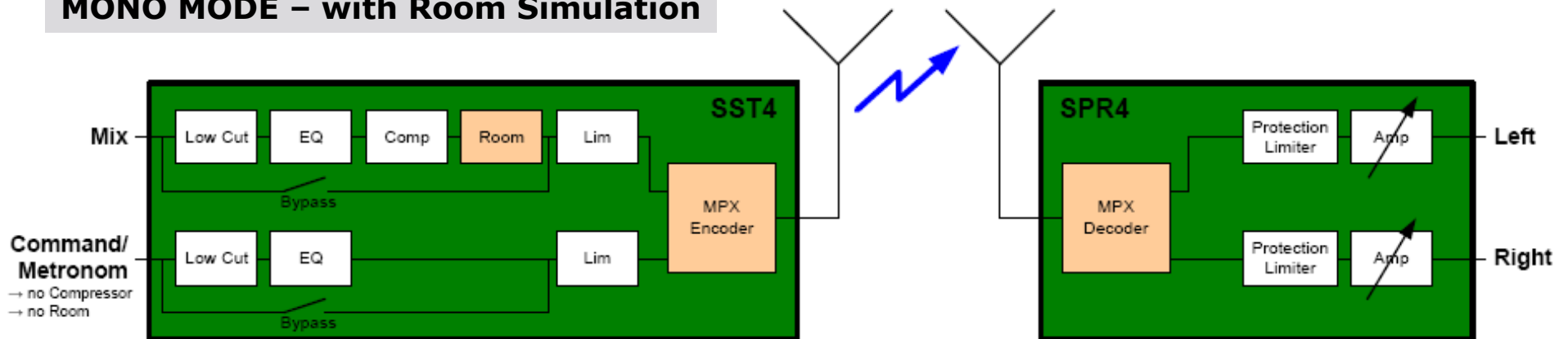
- *Comp*: Compressor work only for Channel 1
- *Room*: Room-Simulation is turned OFF -> MONO TRANSMISSION!

### SPR 4:

- *Protection Limiter*: Can be turned off
- *Volume* can be adjusted

# IVM 4 – AUDIO ROUTING

## MONO MODE – with Room Simulation



### SST 4:

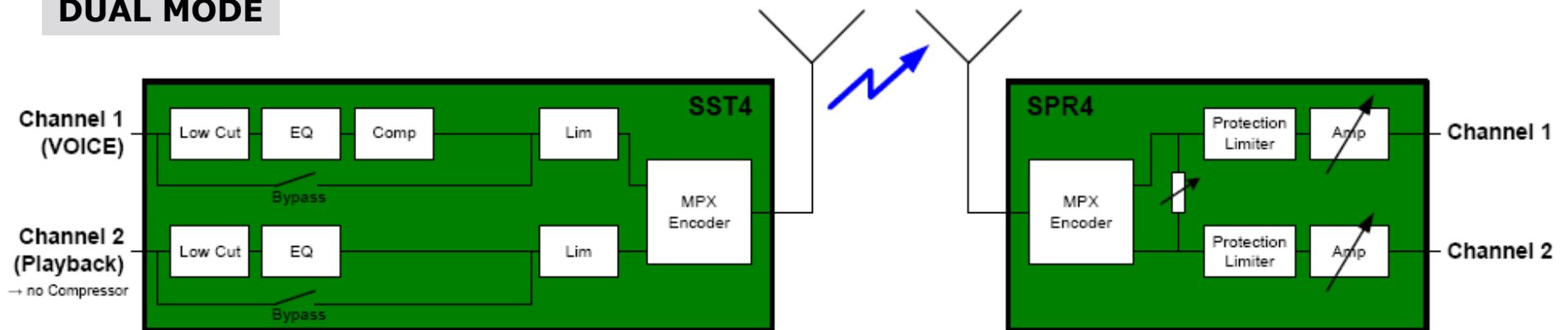
- *Comp*: Compressor work only for Channel 1
- *Room*: Room-Simulation is turned ON -> Normal Stereo Transmission! (Digital MPX)

### SPR 4:

- *Protection Limiter*: Can be turned off
- *Volume* can be adjusted

# IVM 4 – AUDIO ROUTING

## DUAL MODE



Change to DUAL Mode from within the BALANCE menu - change from ,l r' to ,Ch' (See Owner Manual chapter 4.2.4)

### SST 4:

- *Comp*: Compressor work only for Channel 1
- *Lim*: Technical limiter – always necessary

### SPR 4:

- *Protection Limiter*: Can be turned off
- *Balance* adjust the relative level between Channel **1** and **2**
- General *Volume* can be adjusted