

Professional Microphone Accessories

AT8410a/AT8415 MICROPHONE SHOCK MOUNTS



AT8410a Shock Mount

Description

These Audio-Technica shock mounts provide excellent mechanical isolation while offering unusual versatility and ease of use. Equally adapted to cylindrical and tapered microphones, they attenuate noise, shock and vibration transmitted through microphone stands, booms and fixed microphone mounts.

The AT8410a permits easy microphone insertion and removal without detaching the mic cable; its spring-loaded clamp holds even heavy tapered microphones securely. The AT8415's light weight and low profile make it an excellent choice for "fishpole" booms and for video use.

The AT8410a mounts directly to any stand with standard $\frac{5}{8}$ "-27 threads, and includes a constant-tension clutch and 180° swivel for easy, positive microphone adjustment. Isolation is accomplished with elastic shock cord.

The AT8415 is furnished with a $\frac{3}{8}$ "-16 threaded hole for mounting to a European standard boom. A threaded adapter is provided with the AT8415 that allows it to mate with US

standard $\frac{5}{8}$ "-27 threads. Also, a US standard $\frac{3}{8}$ "-18 bolt will pass through the $\frac{3}{8}$ " hole in the bail and can be secured with the appropriate size nut. The U-shaped mounting bail features a constant-tension clutch and is free to rotate 360°. Isolation is accomplished with four chloroprene bands.

Both Audio-Technica shock mounts accommodate most microphones in common use. A suspended clamp on the AT8410a accepts any cylindrical microphone body from 16.8 mm (about $1\frac{1}{8}$ ") to 28.8 mm (over $1\frac{1}{8}$ "). The "clothes-pin" jaws can also pivot to firmly hold the tapered body typical of many vocal mics. The AT8415 mounting bands accept any cylindrical or tapered microphone body from 12.7 mm (about $\frac{1}{2}$ ") to 54 mm (about $2\frac{1}{8}$ "). The mounting bands may be criss-crossed for increased support or for smaller diameter microphones.

The use of a shock mount is particularly important in any application where wide-range sound equipment is used and where high-level low frequency sounds can be expected.

The AT8410a and AT8415, which have been extensively tested in recording studios, on stage and on major TV network programs, are well suited to a wide variety of applications. In the TV studio, they can isolate boom microphones from noise generated by racking the boom extension in and out, and rapid swiveling of the boom or head. Their small size and open construction also minimize shadow problems.

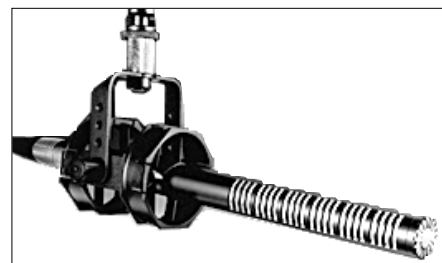
In radio stations, noise from console operation and microphone swivel mounts is reduced or eliminated. In the recording studio, effective microphone isolation reduces leakage for better control during mixing or re-mixing.

In sound reinforcement usage, the AT8410a and AT8415 isolate microphones from lecterns or tables and reduce feedback from microphones mechanically coupled to a stage or other resonant surface. And in live entertainment, shock mounts minimize noise from the movement of instruments as well as the pickup of high-level energy transmitted from nearby speakers.

Instructions

The AT8410a mounts to any stand, boom or mount with standard $\frac{5}{8}$ "-27 threads. It is equally effective at any combination of stand and microphone angles. The AT8415 will attach directly to all booms, etc., with European $\frac{3}{8}$ "-16 threads, and to all mounts with $\frac{5}{8}$ "-27 threads via the threaded adapter provided. It can also be used with bolts smaller than $\frac{3}{8}$ " if the appropriate size mating nut is used.

To mount a microphone in the AT8410a, it is not necessary to disconnect the mic cable. Simply squeeze the clamp jaws open, draw the mic cable through the slot, slide the micro-



AT8415 Shock Mount

phone into position and release the clamp.

For either model, the microphone should be inserted until the mass on both sides of the mount is about equal. This normally permits the head of the microphone to extend beyond the shock mount, free of any acoustic disturbance, and puts equal stress on all suspension points.

Care should be taken to provide adequate slack in the microphone cable. A generous loop eliminates cable noise and permits the microphone to move freely within the shock mount, maintaining effective isolation.

Swivel tension on the AT8410a has been preset at the factory to permit easy adjustment while ensuring positive support. It may be tightened or loosened with a coin or screwdriver, if desired. On the AT8415, swivel tension is easily adjusted by loosening or tightening the two knobs. If ever needed, replacement shock cord for the AT8410a and mounting bands for the AT8415 are available from the Audio-Technica service department.

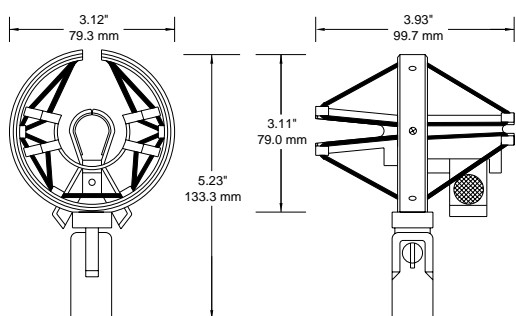
AT8410a Specifications

Height	5.23" (133.3 mm)
Depth	3.93" (99.7 mm)
Ring Diameter	3.11" (79.0 mm)
Net Weight	6.3 oz (179 grams)
Minimum Microphone Diameter	0.66" (16.8 mm)
Maximum Microphone Diameter	1.13" (28.8 mm)
Microphones Accepted	Cylindrical or tapered within the limits above
Clamping System	Spring-loaded "clothes-pin"
Suspension System	Elastic shock cord
Swivel Rotation	180°
Attenuation	8 dB to 10 dB broadband (depends on microphone response, construction and mass)

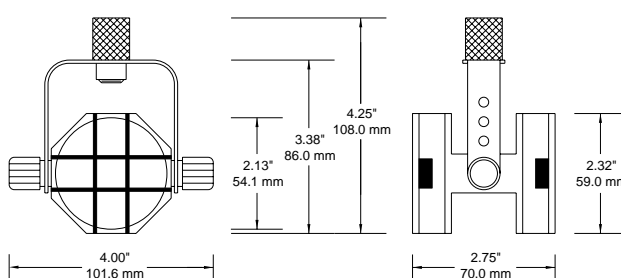
AT8415 Specifications

Height	4.25" (108.0 mm)
Depth	2.75" (70.0 mm)
Ring Diameter	2.32" (59.0 mm)
Net Weight	3 oz (85 grams)
Minimum Microphone Diameter	0.5" (12.7 mm)
Maximum Microphone Diameter	2.13" (54.1 mm)
Microphones Accepted	Cylindrical or tapered within the limits above
Suspension System	Four chloroprene bands
Swivel Rotation	360°
Attenuation	8 dB to 10 dB broadband (depends on microphone response, construction and mass)

AT8410a Dimensions



AT8415 Dimensions



One-Year Limited Warranty

Audio-Technica microphones and accessories purchased in the U.S.A. are warranted for one year from date of purchase by Audio-Technica U.S., Inc. (A.T.U.S.) to be free of defects in materials and workmanship. In event of such defect, product will be repaired promptly without charge or, at our option, replaced with a new product of equal or superior value if delivered to A.T.U.S. or an Authorized Service Center, pre-paid, together with the sales slip or other proof of purchase date. **Prior approval from A.T.U.S. is required for return.** This warranty excludes defects due to normal wear, abuse, shipping damage, or failure to use product in accordance with instructions. This warranty is void in the event of unauthorized repair or modification.

For return approval and shipping information, contact the Service Department, Audio-Technica U.S., Inc., 1221 Commerce Drive, Stow, Ohio 44224.

Except to the extent precluded by applicable state law, **A.T.U.S. will have no liability for any consequential, incidental, or special damages; any warranty of merchantability or fitness for particular purpose expires when this warranty expires.**

This warranty gives you specific legal rights, and you may have other rights which vary from state to state.

Outside the U.S.A., please contact your dealer for warranty details.



Audio-Technica U.S., Inc., 1221 Commerce Drive, Stow, Ohio 44224 330/686-2600

Audio-Technica Limited, Old Lane, Leeds LS11 8AG England 0113 277-1441

Form No. 0315-7053-00-B/W ©1995 Audio-Technica U.S., Inc. Printed in U.S.A.